



Communication in team







Product Basic

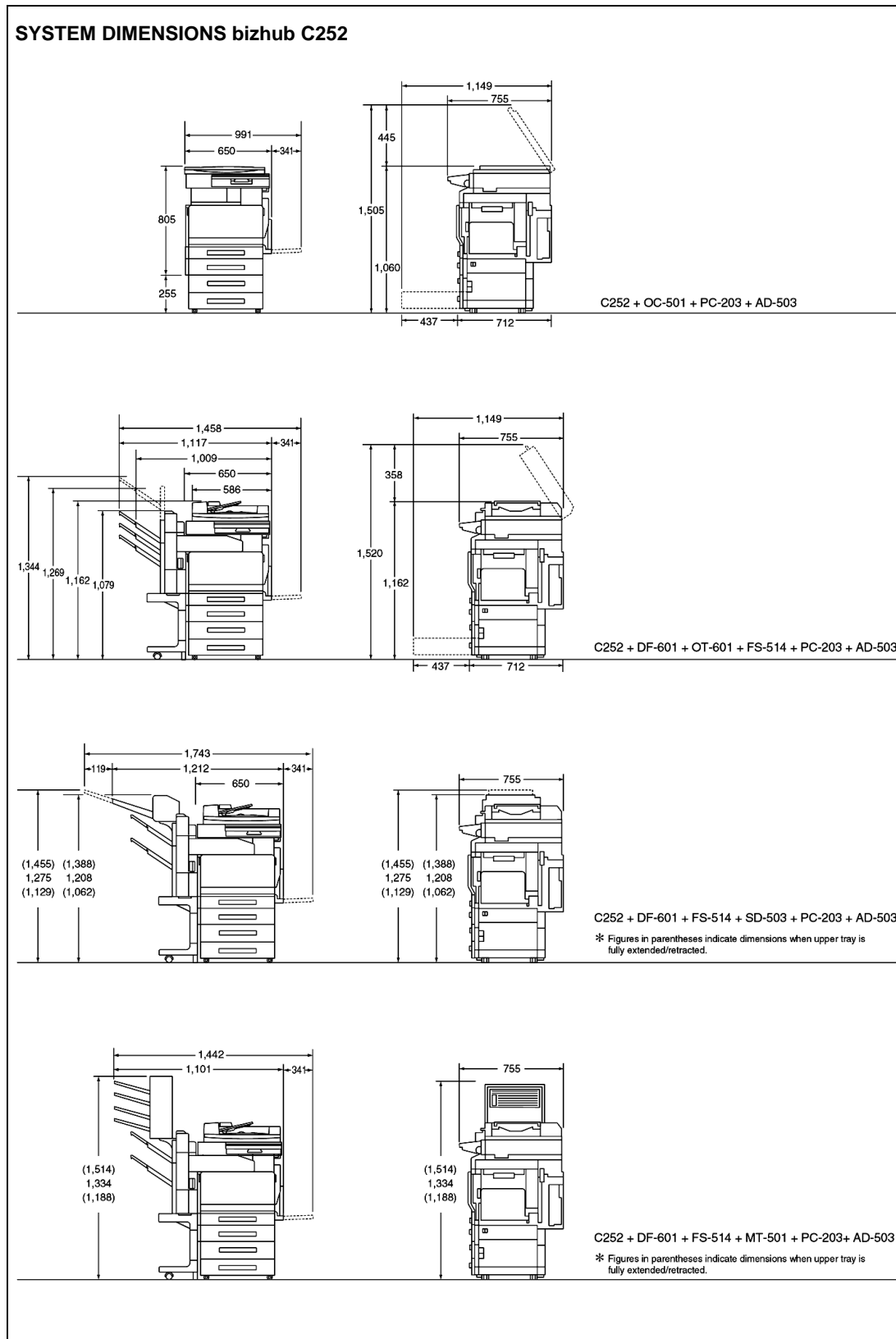
MODEL DEVELOPMENT CODE	Rhein 3, Rhein 3P	Product Basic
PROPOSED MODEL NAME	bizhub C252 / bizhub C252P	Product Configuration
SUCCESSOR MODEL FOR	bizhub C250, C250P	System Specifications
ESTIMATED SALES START	11/06	Copier Specifications
INFOSOURCE SEGMENT	Color 13 - 29c/ppm	Printer Specifications
ALSO AVAILABLE AS	Develop ineo + 252, Océ, Olivetti	Scanner Specifications
TYPE	Console/Stationary Platen	Fax Specifications
MAX. MONTHLY PAGE VOLUME	Recommended 25K Maximum 40K	Consumables
AVERAGE MONTHLY VOLUME	Color + BW 1.2 K copies/prints 4.8 K copies/prints	Article Numbers
MACHINE LIFE	800 k or 5 years (what ever comes first)	Installation
MCBF (Mean Copies Between Failure)	Color 24.012k BW 47.250k Total 39.588k	Maintenance
MCBJ (Mean Copies Between Jam)	Color/BW paper 1/3000	Spare Parts
	OHP/Thick 1/200	Recommended Media
MCBV (Mean Copies between Visit)	29.752k IU changed by user 18.462k IU changed by service (based on average monthly copy volume)	Appendix
MTTR (Mean Time To Repair)	30 min or less	
STANDARD COPY MODE	Color & Monochrome print: 3 pages / job	
STANDARD ORIGINAL DENSITY	Full Color & Monochrome print: 5 % for C, M, Y, Bk	
SAFETY & ENVIRONMENT	English Data Sheets InfoHub / Business Solutions / Safety and Environment German Data Sheets http://partner.konicaminolta.de	

PLEASE NOTICE

1. The values named under "Average Monthly Page Volume" are only for service evaluation and calculation. They have to direct relation to possible machine volumes..



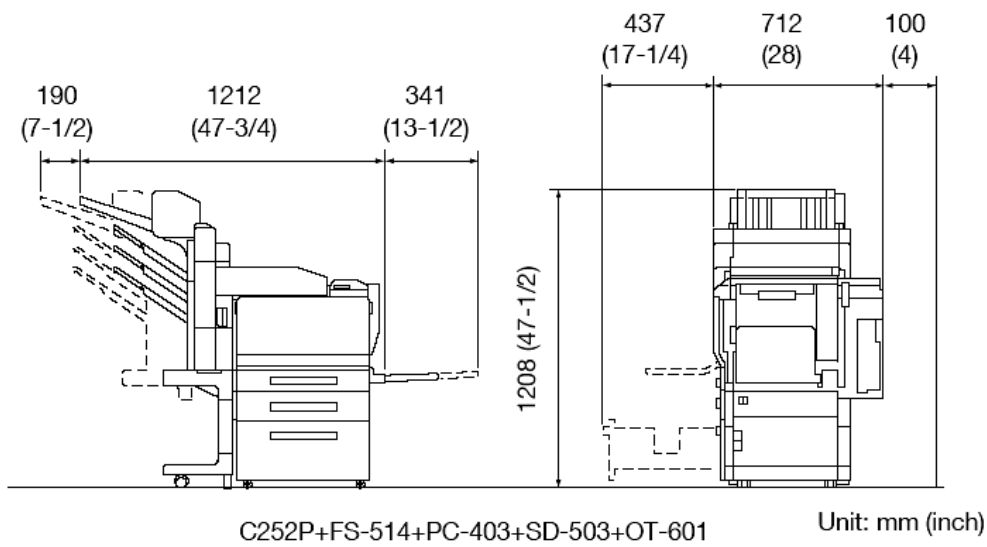
Product Configuration



Product Basic
Product Configuration
System Specifications
Copier Specifications
Printer Specifications
Scanner Specifications
Fax Specifications
Consumables
Article Numbers
Installation
Maintenance
Spare Parts
Recommended Media
Appendix



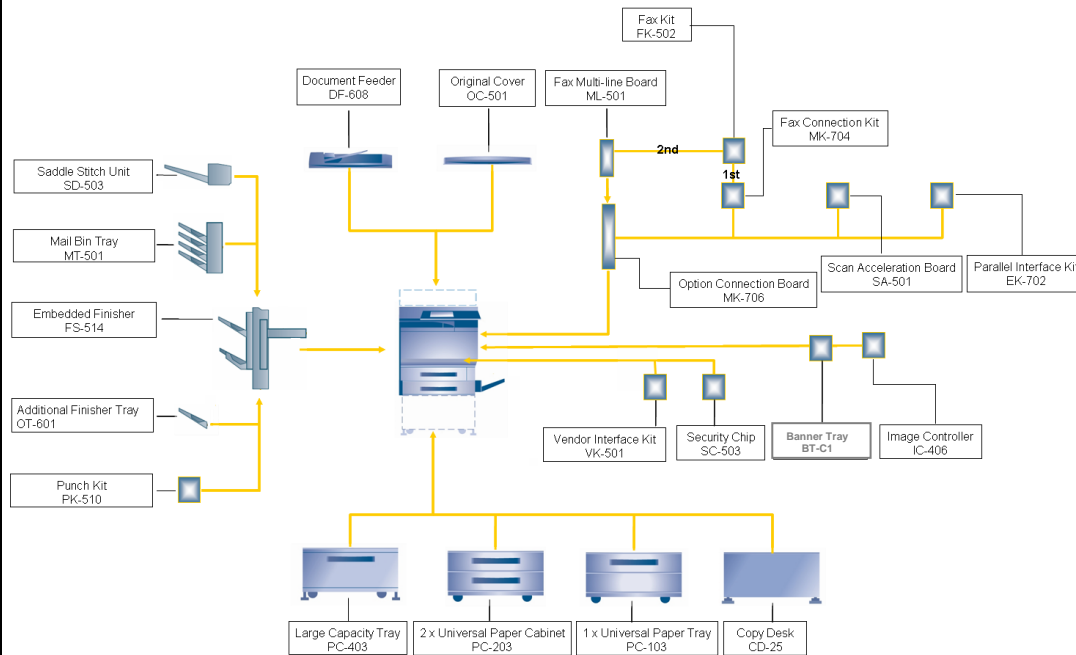
SYSTEM DIMENSIONS bizhub C252P



Product Basic
Product Configuration
System Specifications
Copier Specifications
Printer Specifications
Scanner Specifications
Fax Specifications
Consumables
Article Numbers
Installation
Maintenance
Spare Parts
Recommended Media
Appendix



SYSTEM CONFIGURATION



Product Basic
Product Configuration
System Specifications
Copier Specifications
Printer Specifications
Scanner Specifications
Fax Specifications
Consumables
Article Numbers
Installation
Maintenance
Spare Parts
Recommended Media
Appendix



System Specifications

Original Feeder DF-601		Option	Product Basic
Original Size	A5 length wise – A3		Product Configuration
Original Weight	35 – 210 g/m ² single sided 50 – 210 g/m ² double sided or mixed media		System Specifications
Tray Capacity	100 sheets (80g/m ² A4) 38 sheets (210g/m ² A4)		Copier Specifications
Feeding Type	1 st page system		Printer Specifications
Feeding Speed	25 opm		Scanner Specifications
Dimensions (WxDxH) mm	588 x 519 x 135		Fax Specifications
Weight (kg)	14		Consumables
Original Cover OC-501		Option	Article Numbers
Remark	Required, if no document feeder is installed		Installation
Paper Cassette MPT		Std	Maintenance
Capacity	250 sheets		Spare Parts
Paper Format	A6 (Thick), A5 – A3FB+ (311 x 457mm), customized		Recommended Media
Paper Weight	64 – 256 g/m ²		Appendix
Media Types	All		
Paper Cassette Universal		Std	
Capacity	500 sheets		
Paper Format	A5 – A3		
Paper Weight	64 – 90 g/m ²		
Media Types	Plain		
Manual Bypass		Std	
Capacity	100 sheets		
Paper Format	A6 (Thick), A5 – A3FB+ (311 x 457mm), customized		
Paper Weight	64 – 256 g/m ²		
Media Types	All		



Banner Tray BT-C1	Function	To extend the manual feed table for the use of Banner Paper	Option	Product Basic
	Capacity	100 sheets (max. 297 x 1200 mm)		Product Configuration
				System Specifications
Large Capacity Cassette PC-403	Capacity	2500 sheets	Option	Copier Specifications
	Paper Format	A4		Printer Specifications
	Paper Weight	60 – 90 g/m ²		Scanner Specifications
	Media Types	Plain		Fax Specifications
	Dimensions (W x D x H) mm	570 x 548 x 263		Consumables
	Weight (kg)	26		Article Numbers
				Installation
Universal Cassette PC-203	Capacity	2x500 sheets	Option	Maintenance
	Paper Format	A5 – A3		Spare Parts
	Paper Weight	60– 90 g/m ²		Recommended Media
	Media Types	Plain		Appendix
	Dimensions (W x D x H) mm	570 x 548 x 263		
	Weight (kg)	26		
Universal Cassette PC-103	Capacity	500 sheets + paper storage	Option	
	Paper Format	A5 – A3		
	Paper Weight	60 – 90 g/m ²		
	Media Types	Plain		
	Dimensions (W x D x H) mm	570 x 548 x 263		
	Weight (kg)	22		
Copier Desk CD-25	Function	Storage	Option	



Automatic Duplex AD-503		Std	Product Basic
Capacity	Stackless		Product Configuration
Paper Format	A5 – A3FB+ (311 x 457mm)		System Specifications
Paper Weight	64 – 256 g/m ²		Copier Specifications
Media Types	Plain Paper, Thick 1,2,3		Printer Specifications
Embedded Finisher FS-514		Option	Scanner Specifications
General Paper Weight	50 – 256 g/m ²		Fax Specifications
Finishing Modes	Non-sort, sort, group, sort & offset, group & offset, staple		Consumables
Tray Capacity	Upper tray: 200 sheets (A4/80 g/m ²) Lower tray: 1000 sheets (A4/80 g/m ²)		Article Numbers
Stapling Modes	Corner stapling, two position stapling		Installation
Stapling Capacity	50 sheets		Maintenance
Stapling Format	Corner 30 degrees (back, front), Corner Parallel (back, front), Parallel 2 points		Spare Parts
Dimensions (W x D x H) mm	352 x 558 x 573		Recommended Media
Weight (kg)	33.2		Appendix
Remark	1 staple cartridge SK-602 is included For more details in regard to the capacity refer to the chapter "Appendix"		
Additional Finisher Tray OT-601		Option	
Bin Capacity	200 sheets		
Remark	For more details in regard to the capacity refer to the chapter "Appendix"		
Mail Bin Tray MT-501		Option	
Number of Bins	4		
Bin Capacity	125 sheets each		
Dimensions (W x D x H) mm	340 x 509 x 387		
Weight (kg)	8		
Remark	Either Mail Bin Tray or Saddle Stitch Unit can be installed to FS-514		



Saddle Stitch Unit SD-503		Option	<table border="1"> <tr><td>Product Basic</td></tr> <tr><td>Product Configuration</td></tr> <tr style="background-color: #cccccc;"><td>System Specifications</td></tr> <tr><td>Copier Specifications</td></tr> <tr><td>Printer Specifications</td></tr> <tr><td>Scanner Specifications</td></tr> <tr><td>Fax Specifications</td></tr> <tr><td>Consumables</td></tr> <tr><td>Article Numbers</td></tr> <tr><td>Installation</td></tr> <tr><td>Maintenance</td></tr> <tr><td>Spare Parts</td></tr> <tr><td>Recommended Media</td></tr> <tr><td>Appendix</td></tr> </table>	Product Basic	Product Configuration	System Specifications	Copier Specifications	Printer Specifications	Scanner Specifications	Fax Specifications	Consumables	Article Numbers	Installation	Maintenance	Spare Parts	Recommended Media	Appendix
Product Basic																	
Product Configuration																	
System Specifications																	
Copier Specifications																	
Printer Specifications																	
Scanner Specifications																	
Fax Specifications																	
Consumables																	
Article Numbers																	
Installation																	
Maintenance																	
Spare Parts																	
Recommended Media																	
Appendix																	
Folding	Crease fold																
Paper Size	A4 lengthwise/A3																
Paper Weight	60 – 209 g/m ²																
Tray Capacity	200 sheets or 20 sets																
Stapling Modes	Centre parallel 2 points																
Stapling Capacity	2 – 15 sheets																
Dimensions (W x D x H) mm	Inside the transport section: 48 x 399 x 121 Staple Unit and Output Tray: 576 x 281 x 478																
Weight (kg)	9.3 (inner and outer part together)																
Remark	1 staple cartridge MS-2C is included in the kit Either Saddle Stitch Unit or Mail Bin Tray can be installed to FS-514																
Punch Kit PK-510		Option															
Number of Holes	4																
Paper Size	A5 – A3																
Paper Weight	50 – 209 g/m ²																
Dimensions (W x D x H) mm	114 x 461 x 136																
Weight (kg)	1.9																
Copier Hard Disk HD-501		Std															
Capacity	40GB																
Type	IDE, Laptop type (2,5 inch)																
Functionality	Document Memory, Scan to HDD, Box function																
Remark	Standard for C252, optional for C252P																
Security Chip SC-503		Option															
Function	Memory Data Encryption																
Option Connection Board MK-706		Option															
Function	Connection board for Scan Accelerator, Fax, 2 nd Fax and IEEE1284 & USB extension																



Scan Accelerator Board SA-501		Option	<table border="1"> <tr><td>Product Basic</td></tr> <tr><td>Product Configuration</td></tr> <tr><td>System Specifications</td></tr> <tr><td>Copier Specifications</td></tr> <tr><td>Printer Specifications</td></tr> <tr><td>Scanner Specifications</td></tr> <tr><td>Fax Specifications</td></tr> <tr><td>Consumables</td></tr> <tr><td>Article Numbers</td></tr> <tr><td>Installation</td></tr> <tr><td>Maintenance</td></tr> <tr><td>Spare Parts</td></tr> <tr><td>Recommended Media</td></tr> <tr><td>Appendix</td></tr> </table>	Product Basic	Product Configuration	System Specifications	Copier Specifications	Printer Specifications	Scanner Specifications	Fax Specifications	Consumables	Article Numbers	Installation	Maintenance	Spare Parts	Recommended Media	Appendix
Product Basic																	
Product Configuration																	
System Specifications																	
Copier Specifications																	
Printer Specifications																	
Scanner Specifications																	
Fax Specifications																	
Consumables																	
Article Numbers																	
Installation																	
Maintenance																	
Spare Parts																	
Recommended Media																	
Appendix																	
Function	Faster Scan Processing, Multipage PDF rerouting, Scan file printing from box																
IEEE1284 & USB Connection Board EK-702		Option															
Function	Additional parallel and USB interface for embedded print/scan controller																
Remark	Either Parallel or USB can be utilised																
Fax Board FK-502		Option															
Function	Super G3 Fax board																
Remark	Requires MK-706 + MK-704 and/or ML-501																
Fax Connection Board MK-704		Option															
Function	Interface Board for Fax board FK-502 / containing backup memory and battery																
2nd Fax Connection Board ML-501		Option															
Function	Interface Board for 2 nd Fax board FK-502																
Option Connection Board MK-706		Option															
Function	Required to mount FK-502 and EK-702																
Vendor I/F Kit VK-501		Option															
Function	Connection Interface for Coin/Card vendor devices																



Copier Specifications

Copy speed			Product Basic
B&W / Color A4 crosswise	25 / 25c/ppm		Product Configuration
B&W / Color A4 lengthwise	16 / 16c/ppm		System Specifications
Bi-Color A4	25c/ppm		Copier Specifications
B&W / Color Duplex A4 crosswise	23 / 23c/ppm		Printer Specifications
B&W / Color Duplex A3	8 / 8c/ppm		Scanner Specifications
Color A3	13c/ppm		Fax Specifications
BW A3	13c/ppm		Consumables
First copy			Article Numbers
Color A4	11.7 sec		Installation
BW A4	8.4 sec		Spare Parts
Multi Copy	1 – 999		Maintenance
Warm up time	Less than 110 sec		Recommended Media
Resolution			Appendix
Copy	600 x 600 dpi		
Print	1800 equivalent x 600 dpi		
Scan	600 x 600 dpi		
Fax	600 x 600 dpi		
Gradation	256		
Exposure Type	4 dualbeam laser		
Copier RAM	1024MB std / max (512 MB Work Memory + 512 MB File/Image Memory, Fax Memory is extra)		
Paper Format	A5 – A3FB+ (311 x 457mm) + customised sizes		
Paper Weight	64 – 256 g/m ²		
Printable Area max	305 x 449 mm		
Image Loss	Max. 4.0 mm for top/bottom edges Max. 3 mm for right/left edges		
Power Requirements	220 – 240V, 50/60Hz		



Power Consumption	Less than 1.5KW	Product Basic
Noise Level	Stand By = 37dBA Action = 68 dBA	Product Configuration
Dimensions (W x D x H) mm	650 x 755 x 771	System Specifications
Weight (kg)	94 kg MFP (w/scanner, MPT, MFT, 500 sh. Cassette) 76 kg Printer (w/MPT, MFT, 500 sh. Cassette)	Copier Specifications
Copier Functionality		Printer Specifications
Auto Original Detection	Color / BW	Scanner Specifications
Auto Size Detection	Yes	Fax Specifications
Auto Tray Selection	Yes	Consumables
Auto Tray Switch	Yes	Article Numbers
Magnification		Installation
Zoom range	25 – 400%	Maintenance
Zoom Preset	Yes	Spare Parts
Zoom Program	Yes	Recommended Media
XY Zoom	Yes	Appendix
Color Modes	Auto Color ACS Full Color BW 2-Color Single Color / 21 colors	
Exposure Modes	Text Mode Text Photo Mode (Printed Photo / Photo Paper) Photo Mode (Printed Photo / Photo Paper) Special Original (Map / Dot Matrix / Copied Paper) Text Enhancement	



Exposure Modes	Gradation / Resolution	<table border="1"> <tr><td>Product Basic</td></tr> <tr><td>Product Configuration</td></tr> <tr><td>System Specifications</td></tr> <tr><td>Copier Specifications</td></tr> <tr><td>Printer Specifications</td></tr> <tr><td>Scanner Specifications</td></tr> <tr><td>Fax Specifications</td></tr> <tr><td>Consumables</td></tr> <tr><td>Article Numbers</td></tr> <tr><td>Installation</td></tr> <tr><td>Maintenance</td></tr> <tr><td>Spare Parts</td></tr> <tr><td>Recommended Media</td></tr> <tr><td>Appendix</td></tr> </table>	Product Basic	Product Configuration	System Specifications	Copier Specifications	Printer Specifications	Scanner Specifications	Fax Specifications	Consumables	Article Numbers	Installation	Maintenance	Spare Parts	Recommended Media	Appendix
	Product Basic															
Product Configuration																
System Specifications																
Copier Specifications																
Printer Specifications																
Scanner Specifications																
Fax Specifications																
Consumables																
Article Numbers																
Installation																
Maintenance																
Spare Parts																
Recommended Media																
Appendix																
	Glossy															
Creative Functions	Sheet / Cover / Chapter Insertation															
	Book Copy															
	Poster Mode (Multipage Enlargement)															
	Image Repeat															
	Mirroring															
	Negative / Positive															
	Background Colour															
	Color Adjustment															
	Booklet Pagination															
	Page Margin / Page Erase															
Special Function	Stamp – Time/ Date, Page, Set															
	Copy and save in User Box															
	Booklet Fold Staple Center Erase (10mm erase)															
	Separate Scan (for more than 100 org.)															
Box	Page Combination 2/4/8 in 1															
	No. of Boxes	1000														
	Documents per box	Max. 200														
	Total pages (all boxes)	Max. 9000														
	Total documents (all boxes)	Max. 3000														
	Password	8 digit (alphanumeric)														
	Functions	Reprint saved jobs Proof print saved jobs														



Box cont.	Move to Box (other user box)	<table border="1"> <tr><td>Product Basic</td></tr> <tr><td>Product Configuration</td></tr> <tr><td>System Specifications</td></tr> <tr><td>Copier Specifications</td></tr> <tr><td>Printer Specifications</td></tr> <tr><td>Scanner Specifications</td></tr> <tr><td>Fax Specifications</td></tr> <tr><td>Consumables</td></tr> <tr><td>Article Numbers</td></tr> <tr><td>Installation</td></tr> <tr><td>Maintenance</td></tr> <tr><td>Spare Parts</td></tr> <tr><td>Recommended Media</td></tr> <tr><td>Appendix</td></tr> </table>	Product Basic	Product Configuration	System Specifications	Copier Specifications	Printer Specifications	Scanner Specifications	Fax Specifications	Consumables	Article Numbers	Installation	Maintenance	Spare Parts	Recommended Media	Appendix
	Product Basic															
	Product Configuration															
	System Specifications															
	Copier Specifications															
	Printer Specifications															
Scanner Specifications																
Fax Specifications																
Consumables																
Article Numbers																
Installation																
Maintenance																
Spare Parts																
Recommended Media																
Appendix																
Copy to Box (other user box)																
Edit File Name																
Combine Jobs (Copy/Print)																
Route Jobs (Email / FTP / FAX / SMB)																
Route Jobs File Type selection (JPG / TIF / PDF*) * PDF multipage color routing requires Scan Acceleration board																
EKC / Authentication																
No of Accounts / Users	999 + 1 public user															
User Name	8 digit (alphanumeric)															
Password	8 digit (alphanumeric)															
User Storage	Offline on MFP, Online by Windows Active Directory															
Permission set	Color / BW Copy / Print / Scan / Fax / Box															
Volume Limitation	Color / BW By User or Group															
Setup Software	PS Data Administrator															
Special function	User List display Password Only function Password free Public User															
Counter																
Copy	BW / Full Color / Single Color / 2 Color - Total / Large															
Print	BW / Full Color / 2 Color - Total / Large															
Scan	Total / Large															
Fax	Income / Outcome															
Othres	Number of originals / Numbers of print / Duplex															
Toner Coverage	Cyan / Magenta / Yellow / Black / pure Black															



Printer Specification Emperon Controller

Hardware	Type	Embedded	Printer Specifications
	CPU	PPC750 FX @ 466MHz / IBM G4 64bit	
	Memory	1024MB	
	Harddisk	40GB (shared copier HDD)	
Interface	Ethernet	10/100 Base-T	Scanner Specifications
	TokenRing	No	Fax Specifications
	Parallel	Yes with optional EK-702	Consumables
	USB	Yes USB2.0 with optional EK-702	Article Numbers
Driver	PostScript	PS3 Emulation Win98SE, ME, NT.40, 2K, XP, 2003 Mac OS 9.x / 10.x or higher	Installation
	PCL	PCL 5C / PCL6 Win98SE, ME, NT.40, 2K, XP, 2003	Maintenance
Network	Frame Typ	Ethernet 802.3 Ethernet 802.3 Ethernet II Ethernet SNAP	Spare Parts
	Protocols	TCP/IP IPX/SPX NetBEUI Apple Talk (Ethertalk)	Recommended Media
	Auto Port Switching	No	Appendix
	IPP	Yes	
	Terminal Server	Windows NT4.0, 2000, 2003	
	Point and Print	Yes	
	Click and Print	Yes	



Network cont.	Port 9100	Yes	<table border="1"> <tr><td>Product Basic</td></tr> <tr><td>Product Configuration</td></tr> <tr><td>System Specifications</td></tr> <tr><td>Copier Specifications</td></tr> <tr><td>Printer Specifications</td></tr> <tr><td>Scanner Specifications</td></tr> <tr><td>Fax Specifications</td></tr> <tr><td>Consumables</td></tr> <tr><td>Article Numbers</td></tr> <tr><td>Installation</td></tr> <tr><td>Maintenance</td></tr> <tr><td>Spare Parts</td></tr> <tr><td>Recommended Media</td></tr> <tr><td>Appendix</td></tr> </table>	Product Basic	Product Configuration	System Specifications	Copier Specifications	Printer Specifications	Scanner Specifications	Fax Specifications	Consumables	Article Numbers	Installation	Maintenance	Spare Parts	Recommended Media	Appendix
	Product Basic																
Product Configuration																	
System Specifications																	
Copier Specifications																	
Printer Specifications																	
Scanner Specifications																	
Fax Specifications																	
Consumables																	
Article Numbers																	
Installation																	
Maintenance																	
Spare Parts																	
Recommended Media																	
Appendix																	
LPR printing	Yes																
Print Functions	Paper Type / Size / Source selection																
	Output Tray selection																
	Output Method (Print / Secure Print / Save in Box / Save in Box and Print / Proof Print)																
	Binding – Duplex (left, right, top) , Booklet																
Combine 2 / 4 / 6 / 9 / 16 in 1																	
	Page Margin																
	Stapling (position), Punching																
	Collate / Offset																
	Mixed Media (only PCL)																
	Front and Back Cover																
	Chapter insertation (only PCL)																
	Print Overlay + Create Overlay																
	Watermark																
	Quality Preset by document type (Document / Photo / DTP / WEB / CAD)																
	Quality setting by user (Text / Photo / Graph)																
Special Functions	Skip blank pages																
	Authentication for EKC																
	Authentication for Active Directory																
	Easy Set																
	Easy Set Network Sharing (only PS)																
	PC Fax (only PCL6)																



Scan Specifications

Type	1pass scan	Product Basic
Resolution	200, 300, 400, 600	Product Configuration
Colour	8Bit RGB – 24Bit	System Specifications
Speed	25 opm (monochrome and color)	Copier Specifications
Format	Up to A3	Printer Specifications
File Format	JPEG, TIFF, PDF, Compact PDF (fullcolour only), Multipage PDF	Scanner Specifications
Source	Platen, ADF	Fax Specifications
Scan Destinations	2100 (2040 single + 60groups) 300 Scan programs = Destination + Scan Setting	Consumables
Scan Destinations		Article Numbers
Twain	Yes (only Windows)	Installation
Twain HDD	Pull from User Box	Maintenance
To eMail	Yes	Spare Parts
To FTP	Yes	Recommended Media
To Scan Box	Yes, User or Public	Appendix
To i-Fax	Yes, with Fax board	
To Fax	Yes, with Fax board	
To PC	Yes, via SMB	
Scan Settings	Single Sided / Double Sided Original Type (Text / Text Photo / Photo / Map / Dot Matrix / Copied Paper) Scan Size – Auto, DIN, Custom, Photo Colour – ACS, Full Colour, BW; Greyscale Background removal Book Scanning / Mixed Originals / Binding Page Erase	



Fax Specifications

GENERAL DATA			Product Basic
	Protocol	Group 3 (compliant to ITU-T T.30) F-Code communication	Product Configuration
	Min Transmission Time (seconds)	< 3 Sec. ITU-T V.34, JBIG (ITU No. 1)	System Specifications
	Max. Modem Speed / Compatibility	33,6 kbps / ECM, Super G3	Copier Specifications
	Coding / Error Correction (ECM)	MH, MR, MMR, JBIG	Printer Specifications
	Modulation Method	V27ter, V29, (V33), V17, V8 and V34	Scanner Specifications
	Document Memory	32 MB (shared with scanner)	Fax Specifications
	Memory Battery Buffered	60 hrs. (after 28 hrs. full charge) Life: charging and discharging 5.000 times	Consumables
	Dual Access (2 channels)	Yes	Article Numbers
	Dual Line	Yes (two FK-502 are required)	Installation
	Remote Diagnostic	CS Remote Care via fax-line	Maintenance
	Display / Error Indicator	Yes	Spare Parts
DIALING			Recommended Media
	Max. Numbers Stored	Abbreviated dial: 2000 One-touch dial: 400	Appendix
	Max. Phone Digits	38 digits	
	Program Keys	Yes, 400	
	Group Setting (max.)	Yes, 100 (max. 500 destinations)	
	Tone / Pulse Select	Yes / No	
	PSTN-access by No / Earth Key / Flash	Yes / No / Yes (default: off, service function)	
	Sub addressing	Yes	
	Auto Redial / Last Number Redial	Yes / Yes (possible to select from five latest histories)	
	Electronic Telephone Book Function	Yes	
	Monitor Speaker	Yes	



TRANSMISSION / INPUT		Product Basic
Transmission Resolution	200 x 100 dpi, 200 x 200 dpi, 400 x 400 dpi, 600 x 600 dpi	Product Configuration
Effective Scanning Width	Max A3	System Specifications
Max. Size FBS (W x L)	216 x 356 mm	Copier Specifications
Halftones	Yes, 256	Printer Specifications
Number of Timers	max. 20	Scanner Specifications
Storable TX Jobs	max. 99	Fax Specifications
ADF/Memory Transmission	Yes / Yes	Consumables
Book Transmission	Yes	Article Numbers
Header Line (TTI)	Yes	Installation
Stamp Function	No	Maintenance
Department Management	Yes	Spare Parts
Closed Network TX / Protected TX	Yes / Yes	Recommended Media
Quick Memory Transmission	Yes	Appendix
Batch Transmission	Yes	
2-to-1 Transmission	No	
2-Sided Transmission	No	
Cover Page Function	Yes [via PCL6 printer driver]	
Max. Broadcasting Locations	230	
Relay Broadcasting	Yes (using ITU subaddress function)	
Relay Broadcast Command	Yes (using ITU subaddress function)	



RECEIVING / OUTPUT		Product Basic
Receiving Resolution	203 x 98 dpi, 203 x 196 dpi, 406 x 392 dpi	Product Configuration
Effective Print Width (fax mode)	A4 (3±2 mm margin)	System Specifications
Smoothing	Yes, for 203 x 98 dpi only	Copier Specifications
Auto / Manual Reception	Yes / Yes	Printer Specifications
Storable RX Jobs	Max. 250	Scanner Specifications
Reduction in Fax Mode	Yes	Fax Specifications
Paper source selection	Yes	Consumables
Receiving / Output Tray Selection	No	Article Numbers
Memory Receiving	Yes	Installation
Footer Print	Yes	Maintenance
Closed Network RX / Protected RX	No / Yes (block Junk Fax)	Spare Parts
2 to 1 Receiving	Yes (A5/2 pages => A4/1 page)	Recommended Media
Duplex Reception	Yes	Appendix
RX-Memory Print by Password	Yes (Security reception)	
Forward Function [Fax Gateway]	Yes [fax number, Box and to-eMail]	
Max. Polling Locations	max. 230	
Selective / Protected Polling	Yes (ITU subaddress) / yes (ITU subaddress)	
Memory Polling (Database Polling)	Yes	



REPORTS AND LISTS	Telephone List	Yes	<table border="1"> <tr><td>Product Basic</td></tr> <tr><td>Product Configuration</td></tr> <tr><td>System Specifications</td></tr> <tr><td>Copier Specifications</td></tr> <tr><td>Printer Specifications</td></tr> <tr><td>Scanner Specifications</td></tr> <tr><td>Fax Specifications</td></tr> <tr><td>Consumables</td></tr> <tr><td>Article Numbers</td></tr> <tr><td>Installation</td></tr> <tr><td>Maintenance</td></tr> <tr><td>Spare Parts</td></tr> <tr><td>Recommended Media</td></tr> <tr><td>Appendix</td></tr> </table>	Product Basic	Product Configuration	System Specifications	Copier Specifications	Printer Specifications	Scanner Specifications	Fax Specifications	Consumables	Article Numbers	Installation	Maintenance	Spare Parts	Recommended Media	Appendix
	Product Basic																
	Product Configuration																
	System Specifications																
	Copier Specifications																
	Printer Specifications																
	Scanner Specifications																
	Fax Specifications																
	Consumables																
	Article Numbers																
	Installation																
	Maintenance																
Spare Parts																	
Recommended Media																	
Appendix																	
Key Setting List	Yes (Soft key: Included in Machine Setting List)																
Transmission Report	Yes																
Reception Result Report	Yes																
Reservation Report	Yes (Command List)																
Broadcast Report	Yes (Transmission Confirmation Report)																
Error Report	Yes (Transmission Confirmation Report)																
Machine Status List	Yes (Machine Setting List)																
Journal	Yes																
Consumable Order Report	Yes (default: off, service function)																
Memory Data List / Print	Yes (Stored Document List)																
User/Department Management List	Yes																
UTILITIES																	
PageScope Data Administrator	Yes [for programming fax recipient]																
INTERNET FAX																	
Communication Protocol	Transmission: SMTP Reception: POP3, TCP/IP																
Communication Mode	Full mode																
Original Size	A3, B4, A4																
Recording Size	Max. A3 (Max. A3 long size original: 1000 mm with document feeder)																
Interface	Ethernet 10Base-T/100Base-TX																
Resolution	200 x 100 dpi, 200 x 200 dpi, 400 x 400 dpi, 600 x 600 dpi																
Format	Transmission: TIFF-S Reception: TIFF-F																
Server Software	Send mail Postfix Qmail the other server software																

Note: Specification may vary due to national PTT regulations



Consumables

Toner	Name	TN210	<table border="1"> <tr><td>Product Basic</td></tr> <tr><td>Product Configuration</td></tr> <tr><td>System Specifications</td></tr> <tr><td>Copier Specifications</td></tr> <tr><td>Printer Specifications</td></tr> <tr><td>Scanner Specifications</td></tr> <tr><td>Fax Specifications</td></tr> <tr><td>Consumables</td></tr> <tr><td>Article Numbers</td></tr> <tr><td>Installation</td></tr> <tr><td>Maintenance</td></tr> <tr><td>Spare Parts</td></tr> <tr><td>Recommended Media</td></tr> <tr><td>Appendix</td></tr> </table>	Product Basic	Product Configuration	System Specifications	Copier Specifications	Printer Specifications	Scanner Specifications	Fax Specifications	Consumables	Article Numbers	Installation	Maintenance	Spare Parts	Recommended Media	Appendix
	Product Basic																
	Product Configuration																
	System Specifications																
	Copier Specifications																
	Printer Specifications																
Scanner Specifications																	
Fax Specifications																	
Consumables																	
Article Numbers																	
Installation																	
Maintenance																	
Spare Parts																	
Recommended Media																	
Appendix																	
Type	Cartridge																
Yield CMY	12k @ 5%																
Yield K	20k @ 5%																
Colour	C, M, Y, K																
Imaging Unit		<table border="1"> <tr><td>Product Basic</td></tr> <tr><td>Product Configuration</td></tr> <tr><td>System Specifications</td></tr> <tr><td>Copier Specifications</td></tr> <tr><td>Printer Specifications</td></tr> <tr><td>Scanner Specifications</td></tr> <tr><td>Fax Specifications</td></tr> <tr><td>Consumables</td></tr> <tr><td>Article Numbers</td></tr> <tr><td>Installation</td></tr> <tr><td>Maintenance</td></tr> <tr><td>Spare Parts</td></tr> <tr><td>Recommended Media</td></tr> <tr><td>Appendix</td></tr> </table>	Product Basic	Product Configuration	System Specifications	Copier Specifications	Printer Specifications	Scanner Specifications	Fax Specifications	Consumables	Article Numbers	Installation	Maintenance	Spare Parts	Recommended Media	Appendix	
Product Basic																	
Product Configuration																	
System Specifications																	
Copier Specifications																	
Printer Specifications																	
Scanner Specifications																	
Fax Specifications																	
Consumables																	
Article Numbers																	
Installation																	
Maintenance																	
Spare Parts																	
Recommended Media																	
Appendix																	
Name	IU210																
Type	Imaging Unit PC Drum + Starter																
Yield CMY	45k																
Yield K	70k																
Colour	C, M, Y, K																
Waste Toner Basket		<table border="1"> <tr><td>Product Basic</td></tr> <tr><td>Product Configuration</td></tr> <tr><td>System Specifications</td></tr> <tr><td>Copier Specifications</td></tr> <tr><td>Printer Specifications</td></tr> <tr><td>Scanner Specifications</td></tr> <tr><td>Fax Specifications</td></tr> <tr><td>Consumables</td></tr> <tr><td>Article Numbers</td></tr> <tr><td>Installation</td></tr> <tr><td>Maintenance</td></tr> <tr><td>Spare Parts</td></tr> <tr><td>Recommended Media</td></tr> <tr><td>Appendix</td></tr> </table>	Product Basic	Product Configuration	System Specifications	Copier Specifications	Printer Specifications	Scanner Specifications	Fax Specifications	Consumables	Article Numbers	Installation	Maintenance	Spare Parts	Recommended Media	Appendix	
Product Basic																	
Product Configuration																	
System Specifications																	
Copier Specifications																	
Printer Specifications																	
Scanner Specifications																	
Fax Specifications																	
Consumables																	
Article Numbers																	
Installation																	
Maintenance																	
Spare Parts																	
Recommended Media																	
Appendix																	
Yield	30 k prints																
ITBU Image Transfer Belt Unit		<table border="1"> <tr><td>Product Basic</td></tr> <tr><td>Product Configuration</td></tr> <tr><td>System Specifications</td></tr> <tr><td>Copier Specifications</td></tr> <tr><td>Printer Specifications</td></tr> <tr><td>Scanner Specifications</td></tr> <tr><td>Fax Specifications</td></tr> <tr><td>Consumables</td></tr> <tr><td>Article Numbers</td></tr> <tr><td>Installation</td></tr> <tr><td>Maintenance</td></tr> <tr><td>Spare Parts</td></tr> <tr><td>Recommended Media</td></tr> <tr><td>Appendix</td></tr> </table>	Product Basic	Product Configuration	System Specifications	Copier Specifications	Printer Specifications	Scanner Specifications	Fax Specifications	Consumables	Article Numbers	Installation	Maintenance	Spare Parts	Recommended Media	Appendix	
Product Basic																	
Product Configuration																	
System Specifications																	
Copier Specifications																	
Printer Specifications																	
Scanner Specifications																	
Fax Specifications																	
Consumables																	
Article Numbers																	
Installation																	
Maintenance																	
Spare Parts																	
Recommended Media																	
Appendix																	
Yield	120 k prints																
Fusing Unit		<table border="1"> <tr><td>Product Basic</td></tr> <tr><td>Product Configuration</td></tr> <tr><td>System Specifications</td></tr> <tr><td>Copier Specifications</td></tr> <tr><td>Printer Specifications</td></tr> <tr><td>Scanner Specifications</td></tr> <tr><td>Fax Specifications</td></tr> <tr><td>Consumables</td></tr> <tr><td>Article Numbers</td></tr> <tr><td>Installation</td></tr> <tr><td>Maintenance</td></tr> <tr><td>Spare Parts</td></tr> <tr><td>Recommended Media</td></tr> <tr><td>Appendix</td></tr> </table>	Product Basic	Product Configuration	System Specifications	Copier Specifications	Printer Specifications	Scanner Specifications	Fax Specifications	Consumables	Article Numbers	Installation	Maintenance	Spare Parts	Recommended Media	Appendix	
Product Basic																	
Product Configuration																	
System Specifications																	
Copier Specifications																	
Printer Specifications																	
Scanner Specifications																	
Fax Specifications																	
Consumables																	
Article Numbers																	
Installation																	
Maintenance																	
Spare Parts																	
Recommended Media																	
Appendix																	
Yield	120 k prints																
Staple Cartridge for FS-514		<table border="1"> <tr><td>Product Basic</td></tr> <tr><td>Product Configuration</td></tr> <tr><td>System Specifications</td></tr> <tr><td>Copier Specifications</td></tr> <tr><td>Printer Specifications</td></tr> <tr><td>Scanner Specifications</td></tr> <tr><td>Fax Specifications</td></tr> <tr><td>Consumables</td></tr> <tr><td>Article Numbers</td></tr> <tr><td>Installation</td></tr> <tr><td>Maintenance</td></tr> <tr><td>Spare Parts</td></tr> <tr><td>Recommended Media</td></tr> <tr><td>Appendix</td></tr> </table>	Product Basic	Product Configuration	System Specifications	Copier Specifications	Printer Specifications	Scanner Specifications	Fax Specifications	Consumables	Article Numbers	Installation	Maintenance	Spare Parts	Recommended Media	Appendix	
Product Basic																	
Product Configuration																	
System Specifications																	
Copier Specifications																	
Printer Specifications																	
Scanner Specifications																	
Fax Specifications																	
Consumables																	
Article Numbers																	
Installation																	
Maintenance																	
Spare Parts																	
Recommended Media																	
Appendix																	
Type	SK-602																
Capacity	3 x 5.000																
Staple Cartridge for SD-503		<table border="1"> <tr><td>Product Basic</td></tr> <tr><td>Product Configuration</td></tr> <tr><td>System Specifications</td></tr> <tr><td>Copier Specifications</td></tr> <tr><td>Printer Specifications</td></tr> <tr><td>Scanner Specifications</td></tr> <tr><td>Fax Specifications</td></tr> <tr><td>Consumables</td></tr> <tr><td>Article Numbers</td></tr> <tr><td>Installation</td></tr> <tr><td>Maintenance</td></tr> <tr><td>Spare Parts</td></tr> <tr><td>Recommended Media</td></tr> <tr><td>Appendix</td></tr> </table>	Product Basic	Product Configuration	System Specifications	Copier Specifications	Printer Specifications	Scanner Specifications	Fax Specifications	Consumables	Article Numbers	Installation	Maintenance	Spare Parts	Recommended Media	Appendix	
Product Basic																	
Product Configuration																	
System Specifications																	
Copier Specifications																	
Printer Specifications																	
Scanner Specifications																	
Fax Specifications																	
Consumables																	
Article Numbers																	
Installation																	
Maintenance																	
Spare Parts																	
Recommended Media																	
Appendix																	
Type	MS-2C (MAXX)																
Capacity	4 x 2.000																



Article Numbers

Machine/Accessories	Art. No	Compatibility	Product Basic
bizhub C252	4038 - 216	---	Product Configuration
bizhub C252P	4038 - 206	---	System Specifications
Original Feeder DF-601	4582 - 811	bizhub C250	Copier Specifications
Original Cover OC-501	4599 - 321	bizhub C250/C300/C350/C352	Printer Specifications
Universal Cassette PC-103	4061 - 541	bizhub C250/P/ C300/C352	Scanner Specifications
Universal Cassette PC-203	4061 - 441	bizhub C250/P/ C300/C352	Fax Specifications
Large Capacity Cassette PC-403	4061 - 741	bizhub C250/P/ C300/C352	Consumables
Copier Desk CD-25	9960 – 7200 - 00	bizhub C250/P/C300/C352	Article Numbers
Embedded Finisher FS-514	9J08 - 622	bizhub C250/P/C300/C352	Installation
Output Tray OT-601	4625 -241	FN-117, FS-508	Maintenance
Punch Kit PK-510	4512 – 715 (European) 4512 – 717 (Swedish)	bizhub C250/P/C300/C352	Spare Parts
Mailbin Kit MT-501	4510 - 716	FN-117, FS-508	Recommended Media
Saddle Stitch Unit SD-503	4511 - 715	FN-117, FS-508	Appendix
Vendor Interface Kit VK-501	4599 - 235	bizhub C250/C300/C350/C351/ C352/C450	
Option Connection Board MK-706	4599 - 473	bizhub C250/C300/C352	
Scan Acceleration Board SA-501	4599 - 381	bizhub C250/C300/C351/C352/ C450	
IEEE1284 & USB Interface Board EK-702	4599 - 372	bizhub C250/C300/C351/C352/ C450	
Fax Board FK-502	15LE	bizhub 600/750/C250/C300/C351/ C352/C450	
Fax Connection Board MK-704	4599 - 401	bizhub C250/C351/C450	
2 nd Fax Connection Board ML-501	4599 - 411	bizhub C250/C300/C351/C352/ C450	
Security Chip SC-503	4599 - 441	bizhub C250/C300/C351/C352/ C450	
HDD 40GB HD-C250P/C352P	9967-000-183	bizhub C250P/C352P	



Accessories cont.	Art. No	Compatibility	Product Basic
Banner Tray BT-C1	9967 – 0002 - 61	bizhub C250/P/C300/C350/C352/ P/C450	Product Configuration
Consumables			System Specifications
Toner TN210 K	8938 - 509	bizhub C250/P	Copier Specifications
Toner TN210 Y	8938 - 510	bizhub C250/P	Printer Specifications
Toner TN210 M	8938 - 511	bizhub C250/P	Scanner Specifications
Toner TN210 C	8938 - 512	bizhub C250/P	Fax Specifications
Imaging Unit IU210 K	4062 - 203	bizhub C250/P	Consumables
Imaging Unit IU210 Y	4062 - 303	bizhub C250/P	Article Numbers
Imaging Unit IU210 M	4062 - 403	bizhub C250/P	Installation
Imaging Unit IU210 C	4062 - 503	bizhub C250/P	Maintenance
SK-602 Staple Cartridge for FS-514	14YK	FS-504	Spare Parts
MS-2C (MAXX) Staple Cartridge for SD-503	4599 - 161	SK-1	Recommended Media
Replacement Units			Appendix
Waste Toner Basket	4065 - 611	bizhub C250/P	
Image Transfer Belt Unit [ITBU]	4038 – 0777 - 00	bizhub C250/P	
Fusing Unit	4038- 0755- 00	bizhub C250/P	



Documentation

DOCUMENTATION	Language	Art. No.		Remarks	
User Manual bizhub 252	GB	9961 – 0258 - 00	✓	User Manuals for Printing, Scanning and User Box Utility are part of the Copier User Manual. Those Manuals are available on CD in all languages which are available also for the Copier Manual. The CD's are part of the Copier Manual.	Product Basic
	D	9961 – 0258 - 01	✓		Product Configuration
	F	9961 – 0258 - 02	✓		System Specifications
	E	9961 – 0258 - 03	✓		Copier Specifications
	I	9961 – 0258 - 04	✓		Printer Specifications
	P	9961 – 0258 - 05	✓		Scanner Specifications
	NL	9961 – 0258 - 06	✓		Fax Specifications
	DK	9961 – 0258 - 07	✓		Consumables
	S	9961 – 0258 - 08	✓		Article Numbers
	N	9961 – 0258 - 09	✓		Installation
	FIN	9961 – 0258 - 10	✓	Maintenance	
	GR	9961 – 0258 - 11	✓	Spare Parts	
	TR	9961 – 0258 – 13	✓	In addition a User Manual for Enlarge Display Mode is included in the above mentioned CD, but only limited to three languages (GB, D, F).	Recommended Media
	CZ	9961 – 0258 – 15	✓		Appendix
	BG		---	A multilingual Software CD (9968 – 0250 – 99) is also packed to the machines.	
	EST		---		
	H	9961 – 0252 – 18	✓		
	LV		---		
	LT		---		
	PL	9961 – 0252 – 21	✓		
RO		---			
RUS	9961 – 0252 – 23	✓			
SK	9961 – 0252 - 24	✓			
UA		---			
SLO		---			



DOCUMENTATION	Language	Art. No.		Remarks	
User Manual bizhub C252P	GB	9961 – 0259 - 00	✓	A multilingual Software CD (9968 – 0250 – 99) is also packed to the machine.	Product Basic
	D	9961 – 0259 - 01	✓		Product Configuration
	F	9961 – 0259 - 02	✓		System Specifications
	E	9961 – 0259 - 03	✓		Copier Specifications
	I	9961 – 0259 - 04	✓		Printer Specifications
	P		---		Scanner Specifications
	NL		---		Fax Specifications
	DK		---		Consumables
	S		---		Article Numbers
	N		---		Installation
	FIN		---		Maintenance
	GR		---		Spare Parts
	TR		---		Recommended Media
	CZ		---		Appendix
	BG		---		
	EST		---		
	H		---		
	LV		---		
	LT		---		
	PL		---		
RO		---			
RUS		---			
SK		---			
UA		---			
SLO		---			



DOCUMENTATION	Language	Art. No.		Remarks	
Face Sheets / Labels bizhub C252	GB	9969 – 0420 - 00	✓	Same as for bizhub C250/C300/C351/C352/C450	Product Basic
	D	9969 – 0420 - 01	✓		Product Configuration
	F	9969 – 0420 - 02	✓		System Specifications
	E	9969 – 0420 - 03	✓		Copier Specifications
	I	9969 – 0420 - 04	✓		Printer Specifications
	P	9969 – 0420 - 05	✓		Scanner Specifications
	NL	9969 – 0420 - 06	✓		Fax Specifications
	DK	9969 – 0420 - 07	✓		Consumables
	S	9969 – 0420 - 08	✓		Article Numbers
	N	9969 – 0420 - 09	✓		Installation
	FIN	9969 – 0420 - 10	✓		Maintenance
	GR	9969 – 0420 - 11	✓		Spare Parts
	TR	9969 – 0420 - 13	✓		Recommended Media
	CZ	9969 – 0420 - 15	✓		Appendix
	BG	---			
	EST	---			
	H	9969 – 0420 - 18	✓		
	LV	---			
	LT	---			
	PL	9969 – 0420 - 21	✓		
RO	---	---			
RUS	9969 – 0420 - 23	✓			
SK	9969 – 0420 - 24	✓			
SLO	---				
Service Manual bizhub C252/P	GB		✓	Service Manual Machine & Options on CD	

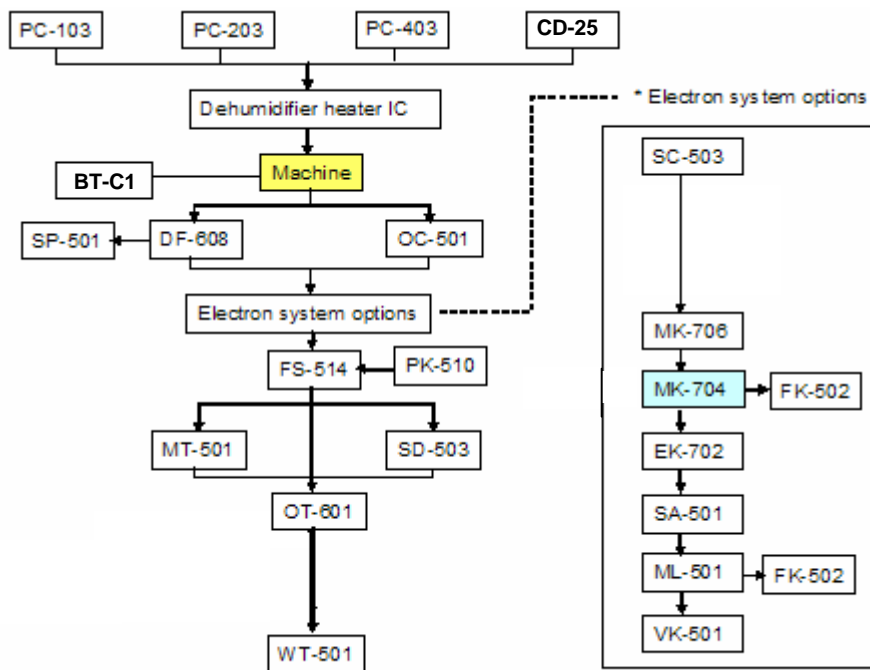


DOCUMENTATION	Language	Art. No.		Remarks	
Operator's Manual Fax Kit FK-502	GB	9968 – 0503 - 99	✓	All marked languages are on one CD, which will be distributed with every fax kit.	Product Basic
	D		✓		Product Configuration
	F		✓		System Specifications
	E		✓		Copier Specifications
	I		✓		Printer Specifications
	P		✓		Scanner Specifications
	NL		✓		Fax Specifications
	DK		✓		Consumables
	S		✓		Article Numbers
	N		✓		Installation
	FIN		✓		Maintenance
	GR		✓		Spare Parts
	TR		✓		Recommended Media
	CZ		✓		Appendix
	BG		---		
	EST		---		
	H		✓		
	LV		---		
	LT		---		
	PL		✓		
RO	---				
RUS	✓				
SK	✓				
UA	---				
SLO	---				



Installation

Outline of the installation procedure



Product Basic
Product Configuration
System Specifications
Copier Specifications
Printer Specifications
Scanner Specifications
Fax Specifications
Consumables
Article Numbers
Installation
Maintenance
Spare Parts
Recommended Media
Appendix



C252 detailed installation time

Main unit and optional Trays

C252 & Trays	Main unit	PC-403	PC-202	PC-103	CD-25
Unpacking	00:01:52	00:01:03	00:01:03	00:01:03	00:01:03
Setup	00:17:39	00:08:17	00:08:17	00:08:17	00:05:00
Adjustment	00:26:24	00:03:34	00:03:34	00:03:34	00:00:00
Total	0:45:55	0:12:54	0:12:54	0:12:54	0:06:03

Finisher and Finisher Options

Finisher	FS-514	SD-503	MT-501	OT-601	PK-510
Unpacking	00:04:35	00:00:58			00:00:45
Setup	00:15:45	00:16:15			00:07:57
Adjustment	00:02:00	00:20:15			00:13:54
Subtotal	0:22:20	0:37:28	0:00:00	0:00:00	0:22:36
Total	1:22:24				

Others

Others	MK-706	MK-704	FK-502	DF-601	D-Heater
Unpacking	00:00:30	00:00:30	00:01:00	00:01:00	00:01:30
Setup	00:24:45	00:25:51	00:02:35	00:15:49	00:28:00
Adjustment	-	-	-	00:09:59	-
Total	0:25:15	0:26:21	0:03:35	0:26:48	0:29:30

Definition of the installation time

Installation time is defined by total time of the following four items.

Installation time is defined as one person did.

In case of carrying device that more than one person is needed, define as one person did.

Category	Job to do
Unpacking	Time for unpack the carton box, and take the device out.
Setting-up	Time for removing packing materials such as fixing blackest/Tape till making first copy. In case of option, removing packing materials till attach to main body.
Adjustment/Setting	Adjustment and Setting advised on the Install Manual. e.g. - Serial Number input - Gradation Adjust - Date/Time - Paper alignment
Discarding packing materials	Separate packing materials, collect them to make ready for discarding

* Travel Time, Carrying machine into the customer premises, placing, connect to Network and product introduction to the customer is not included.

Product Basic
Product Configuration
System Specifications
Copier Specifications
Printer Specifications
Scanner Specifications
Fax Specifications
Consumables
Article Numbers
Installation
Maintenance
Spare Parts
Recommended Media
Appendix



Maintenance

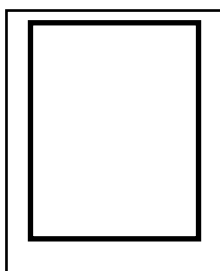
Firmware Updating procedure

1. Firmware Updating is done by CF card that rewriting the RAM on the PW Board. CF card is available as a spare part. This CF card can be rewritable when newer firmware is released. For rewriting, KM CF-Card writing utility is needed to do it.

Note: See Service Manual about the updating procedure.

2. Internet ISW for updating the firmware at remote location. See the service manual.

Skew adjustment chart bundled with DF



Test chart for adjusting original reading position



* The above-mentioned service tool can be ordered as a spare part.

* Refer to details to the service manual.

Product Basic
Product Configuration
System Specifications
Copier Specifications
Printer Specifications
Scanner Specifications
Fax Specifications
Consumables
Article Numbers
Installation
Maintenance
Spare Parts
Recommended Media
Appendix



Panel tools for printer version

When the service function of C252P is used, the following treatment devices are needed.

Name	Purpose/Recommendation	Note
Notebook PC	OS Win98/2000/XP Serial Port needed	On the market
Simulation software	For Setting, Adjusting and Verifying via PC display.	Download from CSES
Straight Cable	Connect between PC and Selector Port C	On the market
Selector	Connect among PC + Printer + X-Rite (Aluminium Tape required)	On the market
X-Rite	For verifying colour density	On the market
Cross Cable(For DTP32)	Connect between Selector and X-Rite	On the market
Cross Cable	Connect between Selector port A and Printer	On the market

Note: Tools already available for C250P, C450P or C352P are compatible and can be used. Simulation Software can be used only from C250P.

Product Basic
Product Configuration
System Specifications
Copier Specifications
Printer Specifications
Scanner Specifications
Fax Specifications
Consumables
Article Numbers
Installation
Maintenance
Spare Parts
Recommended Media
Appendix



Service Support Tools

CSRC

- CS Remote Care: System that acquires data of machines at remote locations. Following data can be sent from device to center host server.
 - Urgent notification (Error code, JAM, toner empty, periodical check)
 - Machine management data collection
 - Application
 - - ✧ Basic meter reading, Jam counter, Trouble counter, Warning counter
 - ✧ Parts Life counter
 - ✧ Firmware version
- Status of introduction and usage of CSRC in the Sales HQs, ask directly to the person in charge in the HQs.

Device Side		C252
Function	Interface	Support
CS Remote Care	RS-232C (modem)	Supported
	NIC on body (e-mail)	Supported
	NIC on IP controller (e-mail)	Supported
	FAX Line	???

CS Remote Care Application Side

Web Application		Supported
Local Application	Maintenance Tool	Supported
	Meter Reading Tool	???
	Parts Life MNG Tool	???

CSRC Host information data for C252 will be released in the same time of releasing main unit.

Product Basic
Product Configuration
System Specifications
Copier Specifications
Printer Specifications
Scanner Specifications
Fax Specifications
Consumables
Article Numbers
Installation
Maintenance
Spare Parts
Recommended Media
Appendix



Preventive Maintenance Parts

Main body

Section	Maintenance parts	Life Time	Stop Time	A/N P/N
Tray 1	Feed Roller	200 K	Refer to the parts life concept	4034 3012 xx
	Separation Roller Assy	200 K		4034 0151 xx
Bypass	Feed Roller	200 K		4034 3001xx
	Separation Roller	200 K		4034 0151 xx
Tray 2	Feed Roller	300 K		4034 3005 xx
	Separation Roller Assy	300 K		4034 0151 xx
	Pick-up Roller	300 K		4034 3005 xx
Conveyance section	2 nd Transfer Roller UNit	120 K		40138 0776 00 (*)
	Dust Filter / Vertical Conveyance section	120 K		* Packed in the Transfer Kit
Fusing section	Fusing Unit	120K		4038 0755 00
	Deodorant Filter	20K		
Processing section	Image Unit C/M/Y	45 K		Refer to Article Numbers
	Image Unit K	70 K		Refer to Article Numbers
	Ozone Filter	120 K		* Packed in the Transfer Kit
	Toner Cartridge Y/M/C	12 K	Refer to Article Numbers	
	Toner Cartridge K	20 K	Refer to Article Numbers	
Image Transfer section	Dust Filter / Cooling Fan	32 K	Packed with the Waste Toner Box	
	Image Transfer Belt Unit (Kit)	120 K	4038 0777 00	
	Waste Toner Basket	120 K	4065 611	

Product Basic
Product Configuration
System Specifications
Copier Specifications
Printer Specifications
Scanner Specifications
Fax Specifications
Consumables
Article Numbers
Installation
Maintenance
Spare Parts
Recommended Media
Appendix

*** Transfer Kit - Note: Image Transfer Belt Unit (ITBU) Kit with Dust Filter / Ozone Filter / 2nd Image Transfer Roller Unit**



PC-103/203/403

Maintenance parts	Life Time	Qty	P/N
Pick-up Roller	300 K	1	4030 3005 xx
Paper Feed Roller	300 K	1	4030 3005 xx
Separation Roller Assy	300 K	1	4030 0151 xx

DF-601

Maintenance parts	Life Time	Qty	P/N
Pick-up Roller	200 K	1	4582 3022 xx
Feed Roller	200 K	1	4582 3014 xx
Separation Roller	200 K	1	4582 3047 xx

Product Basic
Product Configuration
System Specifications
Copier Specifications
Printer Specifications
Scanner Specifications
Fax Specifications
Consumables
Article Numbers
Installation
Maintenance
Spare Parts
Recommended Media
Appendix

Concept of parts life

	Description	Life value (Specification value)	Max. number of printed pages
Waste Toner Bottle	A waste toner full condition is detected when about 2,500 printed pages have been produced after a waste toner near full condition has been detected.	-	30 K *1,2
Fusing unit	The number of copies made is counted. (The counter counts up 2 for paper whose sub scan direction exceeds 216 mm.) The number of copies made is compared with the value of the number of hours through which the Fusing Drive Motor has turned translated to a corresponding value of the number of copies made and the value, whichever reaches the life specification value, is detected. When the maximum number of printed pages is reached, the print is inhibited.	120 K	150 K *3



Transfer Belt Unit	The number of copies made is counted. (The counter counts up 2 for paper whose sub scan direction exceeds 216 mm.) The number of copies made is compared with the value of the number of hours through which the belt has turned translated to a corresponding value of the number of copies made and the value, which-ever reaches the life specifications value, is detected. (However the maximum number of copies is detected by counting hours through which the belt has turned.) When the maximum number of printed pages is reached, the print is inhibited.	120 K	151,037 *3
Imaging Unit C/M/Y	The hours which the PC drum has turned is compared with the value of the number of hours through which the Imaging roller has turned translated to a corresponding value of hours and the value, which-ever reaches the life specification value, is detected. *	6,366 M *4	6,649 M *4
Imaging Unit /K	The hours which the PC drum has turned is the value of the number of distance through which the PC drum has run translated to a corresponding value of the number of hours and the value.	6,637 M *4	6,827 M *4

Product Basic
Product Configuration
System Specifications
Copier Specifications
Printer Specifications
Scanner Specifications
Fax Specifications
Consumables
Article Numbers
Installation
Maintenance
Spare Parts
Recommended Media
Appendix



Recommended Spare Parts

Engine

Parts Name	Part #	Qty / unit	Rec. Qty.	Other Models
FUSING UNIT (220-240V)	4038-0755-00	1	5	
TRANSFER KIT	4038-0777-00	1	5	
BOTTLE ASSY	4065-611	1	25	
ROLLER ASSY	4030-0151-01	1	5	bizhubC450
ROLLER	4030-3005-01	2	5	bizhubC450
ROLLER ASSY	4034-0151-01	1	5	bizhub 180/210
ROLLER ASSY	4034-0151-01	1	5	bizhub 180/210
ROLLER	4034-3012-01	1	5	bizhub 180/210
ROLLER	4131-3001-01	1	5	bizhub 180/210
P/H ASSY	4038-0778-00	1	2	C250 comp.
PWB ASSY	4038-0101-05	1	2	C250 comp.
PWB ASSY	4038-0113-03	1	2	C250 comp.
PWB ASSY	4038-0115-01	1	2	C250 comp.
PWB ASSY	4038-0121-06	1	2	C250 comp.
PWB ASSY	4038-0123-03	1	2	C250 comp.
FIRST SLIDER ASSY	4038-0768-00	1	2	C250 comp.
CONTROL PANEL ASSY	4038-6053-02	1	2	C250 comp.
ROLLER ASSY	4038-0776-00	1	5	C250 comp.
HARD DISK DRIVE	4037-6095-01	1	2	bizhubC450
COMPACT FLASH	4038-0764-01	1	3	C250 comp.

Product Basic
Product Configuration
System Specifications
Copier Specifications
Printer Specifications
Scanner Specifications
Fax Specifications
Consumables
Article Numbers
Installation
Maintenance
Spare Parts
Recommended Media
Appendix



Options

DF-601

Parts Name	Part #	Qty / unit	Rec. Qty.	Other Models
Separator Pad	4582 3039 01	1	5	AFR-20
Roller	4582 3022 01	2	5	AFR-20
Roller	4582 3014 01	1	5	AFR-19
Roller	4582 3047 01	1	5	AFR-20
PWB Assy A	4582 6053 01	1	2	

PC-103, PC-203 PC-403

Parts Name	Part #	Qty / unit	Rec. Qty.	Other Models
SEPARATOR ROLLER ASSY (PC-103, PC-203, PC-403)	4030 0151 01	1	10	PC-101/201, PF-124/210 / PF-122/PC- 102/PC- 202/PC-402
TAKE-UP ROLLER (PC-103, PC-203, PC-403)	4030 3005 01	1	20	PC-101/201, PF-124/210 / PF-122/PC- 102/PC- 202/PC-402
PWB ASSY (PWB-C2 PF) (PC-103, PC-203)	4348 0104 02	1	5	PC- 101/201/PC- 102/PC-202
PWB ASSY (PWB-C1 LCT) (PC-403)	4348 0101 05	1	5	PC-401/PF- 122/PC-402

Product Basic
Product Configuration
System Specifications
Copier Specifications
Printer Specifications
Scanner Specifications
Fax Specifications
Consumables
Article Numbers
Installation
Maintenance
Spare Parts
Recommended Media
Appendix



PK-501

Parts Name	Part #	Qty / unit	Rec. Qty.	Other Models
PWB Assy B	4583 4523 01	1	2	C250 comp.

AD-503

Parts Name	Part #	Qty / unit	Rec. Qty.	Other Models
PWB-A	4066 0101 01	1	2	C250 comp.

FK-502

Parts Name	Part #	Qty / unit	Rec. Qty.	Other Models
PWB FAX	15LA 9010	1	2	C250 comp.
PWB NCU 220 – 240 Volt	15LE9020	1	2	C250 comp.

Product Basic
Product Configuration
System Specifications
Copier Specifications
Printer Specifications
Scanner Specifications
Fax Specifications
Consumables
Article Numbers
Installation
Maintenance
Spare Parts
Recommended Media
Appendix



Recommended Media

Paper	Manufacturer	Article Number	Product Basic
Konica Minolta Color +	Mondi 90 g/ m ² A4	9966 – 1310 - 00	Product Configuration
Konica Minolta Color +	Mondi 90 g/ m ² A3	9966 – 1300 - 00	System Specifications
Konica Minolta Original	Mondi Triotec 80 g/m ² A4	9960 – 6120 - 00	Copier Specifications
Konica Minolta Original	Mondi Triotec 80 g/m ² A3	9960 – 6121 - 00	Printer Specifications
Color Copy	Mondi 100/120/160/200/220/250 g/m ² A4/A3/A3+	---	Scanner Specifications
Color Copy Style	Mondi 100/160/200 g/m ² A4/A3	---	Fax Specifications
OHP Films			Consumables
CG-3700	3M	9967 – 0000 - 11	Article Numbers
For more details please refer to the InfoHub "Recommended Copy / Print Media for Konica Minolta Digital Systems".			Installation
			Maintenance
			Spare Parts
			Recommended Media
			Appendix



Appendix

Differences from bizhub C250		Product Basic
1.	New, compact built-in finisher (option)	Product Configuration
2.	Size-detecting function in multiple bypass tray	System Specifications
3.	Annotation function (depends on C250 firmware update status)	Copier Specifications
4.	Scanner supports Windows Server 2003	Printer Specifications
5.	Scan Accelerator Kit (option)	Scanner Specifications
6.	Reprinting scanned data stored in Box (option)	Fax Specifications
7.	Automatic job data deletion	Consumables
8.	Authentication error lock	Article Numbers
9.	Copy protection	Installation
10.	Encrypt PDF	Maintenance
11.	Encrypting data on HDD (option)	Spare Parts
12.	PDF direct print	Recommended Media
13.	Print status notifier	Appendix
14.	Extra long paper printing including multiple prints	
15.	Sheet insertion between pages (option)	
16.	Chapter breaks (option)	
17.	Special settings for designated pages (option)	
18.	Memory copy	
19.	Multi-page enlargement for copying	
20.	Multi-port (option)	
21.	Internet fax (option)	
22.	IP Address fax with colour fax (option)	
23.	Fax forwarding function to e-mail (option)	
24.	Restored fax transmission (option)	



Differences from bizhub C250 cont..		Product Basic
25.	Relay fax transmission (option)	Product Configuration
26.	PC-fax reception with simultaneous box storage and printing function (option)	System Specifications
27.	TSI Routing fax forwarding to SMB, FTP and e-mail with simultaneous printing function (option)	Copier Specifications
28.	Automatic fax destination verification (option)	Printer Specifications
29.	Fax destination confirmation display (option)	Scanner Specifications
30.	LCD basic screen available (type 1 or type 2)	Fax Specifications
31.	HDD backup utility	Consumables
32.	Font management utility	Article Numbers
33.	Web Jet Admin Plug-in	Installation
		Maintenance
		Spare Parts
		Recommended Media
		Appendix



Maximum paper capacity of FS-514 with different configurations					Product Basic
	Total Capacity	Non-Sort / Sort / Group	Sort Staple	Saddle Staple	Product Configuration
1 st Tray	1200 sheets A4	200 sheets	200 sheets or 20 sets		System Specifications
2 nd Tray (A4 / B4 or A3)		1000 sheets	500 / 250 sheets or 50 / 25 sets		Copier Specifications
1 st Tray	900 sheets A4	200 sheets	200 sheets or 20 sets		Printer Specifications
2 nd Tray (A4 / B4 or A3)		500 / 250 sheets	500 / 250 sheets or 50 / 25 sets		Scanner Specifications
Additional Finisher Tray		200 sheets	200 sheets or 20 sets		Fax Specifications
1 st Tray	900 sheets A4	200 sheets	200 sheets or 20 sets		Consumables
2 nd Tray (A4 / B4 or A3)		500 / 250 sheets	500 / 250 sheets or 50 / 25 sets		Article Numbers
Saddle Stitch Unit					200 sheets or 20 sets
1 st Tray	800 sheets A4	200 sheets	200 sheets or 20 sets		Maintenance
2 nd Tray (A4 / B4 or A3)		200 / 100 sheets	200 / 100 or 20 / 10 sets		Spare Parts
Additional Finisher Tray		200 sheets	200 sheets or 20 sets		Recommended Media
Saddle Stitch Unit					200 sheets or 20 sets
1 st Tray	1200 sheets A4	200 sheets	200 sheets or 20 sets		
2 nd Tray (A4 / B4 or A3)		500 / 250 sheets	500 / 250 sheets or 50 / 25 sets		
Mail Bin Tray		500 sheets			
1 st Tray	1100 sheets A4	200 sheets	200 sheets or 20 sets		
2 nd Tray (A4 / B4 or A3)		200 / 100 sheets	200 / 100 sheets or 20 / 10 sets		
Additional Finisher Tray		200 sheets	200 sheets or 20 sets		
Mail Bin Tray		500 sheets			



Finishing Matrix for FS-514					
	FS-514	Mail Bin Tray	Punching	Stapling	Fold / Saddle Stitch
FS-514		Yes	Yes	Yes	Yes
Mail Bin Tray	Yes		Yes	No	No
Punching	Yes	Yes		Yes	Yes
Stapling	Yes	No	Yes		Yes
Fold / Saddle Stitch	Yes	No	Yes	Yes	

Combination of Finishing Options					
	FS-514	MT-501	SD-503	OT-601	PK-510
FS-514		Yes	Yes	Yes	Yes
MT-501	Yes		No	Yes	Yes
SD-503	Yes	No		Yes	Yes
OT-601	Yes	Yes	Yes		Yes
PK-510	Yes	Yes	Yes	Yes	

Product Basic
Product Configuration
System Specifications
Copier Specifications
Printer Specifications
Scanner Specifications
Fax Specifications
Consumables
Article Numbers
Installation
Maintenance
Spare Parts
Recommended Media
Appendix



Paper Weights				Product Basic
bizhub C252/P	Option / Feature	60 ~ 90 g/m ²	60 ~ 256 g/m ²	Product Configuration
	MPT (machine)	Yes	Yes	System Specifications
	2 nd cassette (machine)	Yes	No	Copier Specifications
	PC-103	Yes	No	Printer Specifications
	PC-203	Yes	No	Scanner Specifications
	PC-403	Yes	No	Fax Specifications
	Manual Feed	Yes	Yes	Consumables
	Duplex	Yes	Yes	Article Numbers
FS-514	1 st Tray	Yes	Yes	Installation
	2 nd Tray	Yes	Yes	Maintenance
	Additional Tray	Yes	No	Spare Parts
	Mail Bin	Yes	No	Recommended Media
Finishing Functionality	Stapling	Yes	No	Appendix
	Punching	Yes (up to 130 g/m ²)	No	
	Folding	Yes	No	



Utilities		Product Basic
PageScope WebConnection	Resident on MFP – Internet Browser based status control and admin setting (Java based)	Product Configuration
PageScope NetCare	Network based status control of all connected MFP's (including competitor models)	System Specifications
PageScope Network Setup	Network based admin setup tool. Same functionality as admin area of WebConnection.	Copier Specifications
PageScope Data Administrator	Network based utility to setup EKC, User Authentication and Scan Destination.	Printer Specifications
PageScope Box Operator	Client software for user box access and file download.	Scanner Specifications
PageScope Job Spooler	Overview of job queue/cancel/prioritise. Restart of box jobs and setting change.	Fax Specifications
HDD Backup Utility	Storing data of HDD to a local file.	Consumables
Font Management Utility	Displaying the machine's resident fonts.	Article Numbers
PageScope Direct Print	Processing print files directly to the MFP.	Installation
Print Status Notifier	Notifying the user when print job has been completed.	Maintenance
NDPS Gateway	Gateway to interact seamless with Netware environments.	Spare Parts
EMS-Plug-ins	Plug-ins to integrate Konica Minolta devices into Enterprise Management Systems.	Recommended Media
		Appendix



Utilities cont...		Product Basic
Copy Protection Utility	To manage the machine-resident copy protection patterns.	Product Configuration
PageScope Workware (Demo Version)	Document Management Software	System Specifications
		Copier Specifications
		Printer Specifications
		Scanner Specifications
		Fax Specifications
		Consumables
		Article Numbers
		Installation
		Maintenance
		Spare Parts
		Recommended Media
		Appendix



What is delivered with the machine?		Product Basic
Parts		Product Configuration
Imaging Unit (incl. PC-drum & Starter)	Yes (4 units)	System Specifications
Toner	No	Copier Specifications
Document Feeder	No	Printer Specifications
Original Cover	No	Scanner Specifications
Copy Tray	N/A	Fax Specifications
Operator Manual	Yes	Consumables
Face Sheets	Yes	Article Numbers
Setup Guide	Yes	Installation
Additional Manual CD	Yes	Maintenance
Controller Driver + Software CD	Yes	Spare Parts
		Recommended Media
		Appendix