



System Saver® Water Softener

Model MSD45E

How to install, operate and
maintain your Demand
Controlled Water Softener

Do not return water softener to store

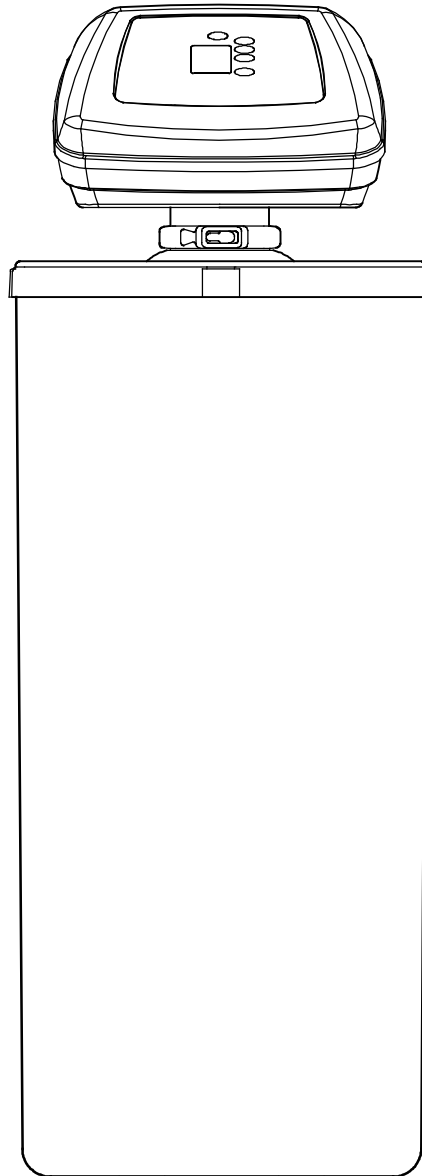
If you have questions or concerns when
installing, operating or maintaining your
water softener, call our toll free number:

1-888-64 WATER

(1-888-649-2837)

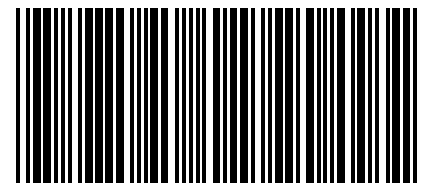
Monday - Friday 8 AM - 7 PM EST
or visit www.systemsaver.com

When you call, please be prepared to
provide the model and serial number
of your product, located on the rating
decal on back of the top cover.



Installation and Operation Manual

System tested and certified by NSF
International against NSF/ANSI Standard 44
for hardness reduction and efficiency,
and certified to NSF/ANSI Standard 372.



For best results use Morton® System Saver® II Pellets in your softener.

7334159 (Rev. G 5/14/13)

For best results use Morton® System Saver® II Pellets to soften your water



Morton® System Saver® II Pellets offer superior performance and convenience.

Morton® System Saver® II Pellets are created from high purity salt combined with resin cleaning additives. Specially formulated to outperform other water softening salts, System Saver® II is complete with a patented formula that helps keep your softener clean, problem-free and running longer.

Most hard water contains traces of dirt, iron and other minerals that can build up in your water softener over time. This can lead to expensive repairs. Morton® System Saver® II Pellets are specially formulated to remove hard water minerals and keep your softener running more efficiently.

System Saver® II Pellets come in a handy 40 lb. bag that is easier to carry, open and pour, thanks to Morton's special bag features. The easy-open tear opens wide to allow salt to pour out easily and flow freely. System Saver® II also provides a rigid plastic handle for more comfortable carrying and lifting.

TABLE OF CONTENTS

| | PAGE NO. |
|--|---------------------|
| WARRANTY | 3 |
| BEFORE YOU START | 4 |
| UNPACKING / INSPECTION | 5 |
| SPECIFICATIONS & PERFORMANCE CLAIMS / DIMENSIONS | 6 |
| BEFORE STARTING INSTALLATION | 7 |
| TYPICAL INSTALLATION ILLUSTRATION | 8 |
| INSTALLATION STEPS | 9 - 11 |
| PROGRAMMING THE MORTON WATER SOFTENER | 12 - 13 |
| SANITIZING PROCEDURES | 13 |
| WATER CONDITIONING INFORMATION | 14 |
| GENERAL WATER SOFTENER MAINTENANCE | 15 - 16 |
| MORTON WATER SOFTENER FEATURES & SETTINGS | 17 - 20 |
| MORTON WATER SOFTENER SERVICE | 21 - 23 |
| REPAIR PARTS | 24 - 27 |

WARRANTY

MORTON RESIDENTIAL WARRANTY

Morton guarantees to the original owner, that:

One Year Full Warranty:

- For a period of one (1) year from the date of purchase, all parts will be free of defects in material and workmanship and will perform their normal functions.
- For a period of one (1) year from the date of purchase, labor to repair any part deemed to be defective in materials or workmanship, will be provided at no additional cost.

Limited Warranties:

- For a period of ten (10) years from the date of purchase, the salt storage tank and fiberglass mineral tank will not rust, corrode, leak, burst, or in any other manner, fail to perform their proper functions.
- For a period of three (3) years from the date of purchase, the electronic control board will be free of defects in material and workmanship and will perform its normal functions.

If, during such respective period, a part proves to be defective, Morton will ship a replacement part, directly to your home, without charge. Labor necessary to maintain this product is not covered by the product warranty.

If you have questions regarding a Morton product, need assistance with installation or trouble shooting, wish to order a part or report a warranty issue, we are just a phone call away. Simply dial 1-888-64-WATER (1-888-649-2837) for assistance, or visit www.systemsaver.com.

This water softener is manufactured for Morton, P.O. Box 25290, Woodbury, MN 55125-0290

General Provisions

The above warranties are effective provided the water conditioner is operated at water pressures not exceeding 125 psi, and at water temperatures not exceeding 120°F; provided further that the water conditioner is not subject to abuse, misuse, alteration, neglect, freezing, accident or negligence; and provided further that the water conditioner is not damaged as the result of any unusual force of nature such as, but not limited to, flood, hurricane, tornado or earthquake.

Morton is excused if failure to perform its warranty obligations is the result of strikes, government regulation, materials shortages, or other circumstances beyond its control.

***THERE ARE NO WARRANTIES ON THE WATER CONDITIONER BEYOND THOSE SPECIFICALLY DESCRIBED ABOVE. ALL IMPLIED WARRANTIES, INCLUDING ANY IMPLIED WARRANTY OF MERCHANTABILITY OR OF FITNESS FOR A PARTICULAR PURPOSE, ARE DISCLAIMED TO THE EXTENT THEY MIGHT EXTEND BEYOND THE ABOVE PERIODS. THE SOLE OBLIGATION OF MORTON UNDER THESE WARRANTIES IS TO REPLACE OR REPAIR THE COMPONENT OR PART WHICH PROVES TO BE DEFECTIVE WITHIN THE SPECIFIED TIME PERIOD, AND MORTON IS NOT LIABLE FOR CONSEQUENTIAL OR INCIDENTAL DAMAGES. NO MORTON DEALER, AGENT, REPRESENTATIVE, OR OTHER PERSON IS AUTHORIZED TO EXTEND OR EXPAND THE WARRANTIES EXPRESSLY DESCRIBED ABOVE.**

Some states do not allow limitations on how long an implied warranty lasts or exclusions or limitations of incidental or consequential damage, so the limitations and exclusions in this warranty may not apply to you. This warranty gives you specific legal rights, and you may have other rights which vary from state to state. This warranty applies to consumer-owned installations only.

BEFORE YOU START

FOLLOW THE INSTALLATION INSTRUCTIONS CAREFULLY. FAILURE TO INSTALL THE SOFTENER PROPERLY VOIDS THE WARRANTY.

BEFORE YOU BEGIN INSTALLATION, READ THIS ENTIRE MANUAL. THEN, OBTAIN ALL THE MATERIALS AND TOOLS YOU WILL NEED TO MAKE THE INSTALLATION.

CHECK LOCAL PLUMBING AND ELECTRICAL CODES. THE INSTALLATION MUST CONFORM TO THEM. CODES IN THE STATE OF MASSACHUSETTS REQUIRE INSTALLATION BY A LICENSED PLUMBER. FOR INSTALLATION, USE PLUMBING CODE 248-CMR OF THE COMMONWEALTH OF MASSACHUSETTS.

USE ONLY LEAD-FREE SOLDER AND FLUX FOR ALL SWEAT-SOLDER CONNECTIONS, AS REQUIRED BY STATE AND FEDERAL CODES.

USE CARE WHEN HANDLING THE SOFTENER. DO NOT TURN UPSIDE DOWN, DROP, OR SET ON SHARP PROTRUSIONS.

DO NOT LOCATE THE SOFTENER WHERE FREEZING TEMPERATURES OCCUR. DO NOT ATTEMPT TO TREAT WATER OVER 120°F. **FREEZING, OR HOT WATER DAMAGE VOIDS THE WARRANTY.**

AVOID INSTALLING IN DIRECT SUNLIGHT. EXCESSIVE SUN HEAT MAY CAUSE DISTORTION OR OTHER DAMAGE TO NON-METALLIC PARTS.

THE SOFTENER REQUIRES A MINIMUM WATER FLOW OF 3 GALLONS PER MINUTE AT THE INLET. **MAXIMUM ALLOWABLE INLET WATER PRESSURE IS 125 PSI.** IF DAYTIME PRESSURE IS OVER 80 PSI, NIGHTTIME PRESSURE MAY EXCEED THE MAXIMUM. USE A PRESSURE REDUCING VALVE IF NECESSARY. (ADDING A PRESSURE REDUCING VALVE MAY REDUCE THE FLOW.)

THE SOFTENER WORKS ON 24 VOLT, 60 Hz ELECTRICAL POWER ONLY, SUPPLIED BY A DIRECT PLUG-IN TRANSFORMER (INCLUDED). BE SURE TO USE THE INCLUDED TRANSFORMER AND PLUG IT INTO A NOMINAL 120V, 60 CYCLE HOUSEHOLD OUTLET THAT IS GROUNDED AND PROPERLY PROTECTED BY AN OVER CURRENT DEVICE SUCH AS A CIRCUIT BREAKER OR FUSE. IF TRANSFORMER IS REPLACED, USE ONLY UL, CUL OR CSA APPROVED CLASS 2 TRANSFORMER WITH THE FOLLOWING SPECIFICATIONS:

- INPUT: 120 VAC, 60 Hz, 13.5 W
- OUTPUT VOLTAGE: 24 VAC
- OUTPUT CURRENT: 400mA

THIS SYSTEM IS NOT INTENDED TO BE USED FOR TREATING WATER THAT IS MICROBIOLOGICALLY UNSAFE OF OF UNKNOWN QUALITY WITHOUT ADEQUATE DISINFECTION BEFORE OR AFTER THEY SYSTEM.

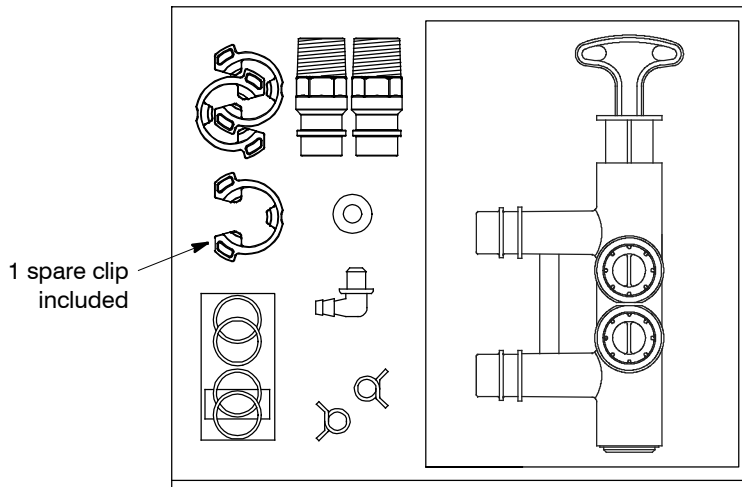


EUROPEAN DIRECTIVE 2002/96/EC REQUIRES ALL ELECTRICAL AND ELECTRONIC EQUIPMENT TO BE DISPOSED OF ACCORDING TO WASTE ELECTRICAL AND ELECTRONIC EQUIPMENT (WEEE) REQUIREMENTS. THIS DIRECTIVE OR SIMILAR LAWS ARE IN PLACE NATIONALLY AND CAN VARY FROM REGION TO REGION. PLEASE REFER TO YOUR STATE AND LOCAL LAWS FOR PROPER DISPOSAL OF THIS EQUIPMENT.

UNPACKING / INSPECTION

The parts required to assemble and install the unit are included in a bag. Thoroughly check the water softener for possible shipping damage and parts loss. Also note damage to the shipping cartons.

Remove and discard (or recycle) all packing materials. To avoid loss of the small parts, we suggest you keep them in the parts bag until you are ready to use them.



Do not return the water softener to store.

If you have any questions, or there are missing parts or damage, please call Toll Free 1-888-64WATER (1-888-649-2837).

When you call, please be prepared to provide the model and serial number of your product, located on the rating decal on back of the top cover.

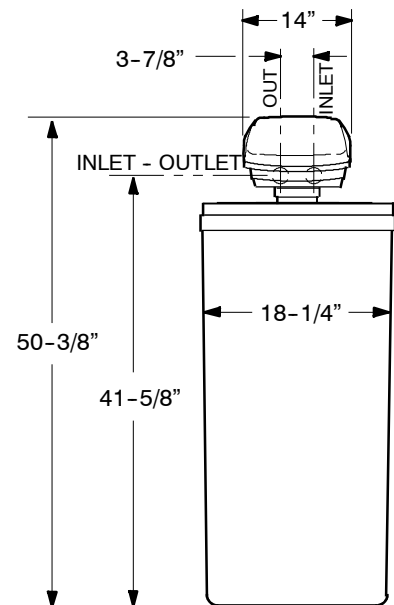
For more installation or service information visit www.systemsaver.com.

SPECIFICATIONS & PERFORMANCE CLAIMS / DIMENSIONS

This model is efficiency rated. The efficiency rating is valid only at the minimum salt dose. This softener has a demand initiated regeneration (D.I.R.) feature that complies with specific performance specifications intended to minimize the amount of regenerant brine and water used in its operation.

This softener has a rated softener efficiency of not less than 3,350 grains of total hardness exchange per pound of salt (based on sodium chloride) and shall not deliver more salt than its listed rating or be operated at a sustained maximum service flow rate greater than its listed rating. This softener has been proven to deliver soft water for at least ten continuous minutes at the rated service flow rate. The rated salt efficiency is measured by laboratory tests described in NSF/ANSI Standard 44. These tests represent the maximum possible efficiency that the system can achieve. Operational efficiency is the actual efficiency after the system has been installed. It is typically less than the rated efficiency, due to individual application factors including water hardness, water usage, and other contaminants that reduce a softener's capacity.

| MODEL | MSD45E |
|---|---|
| <i>RATED CAPACITY (grains @ lbs salt dose)</i> | 13,233 @ 2.6 35,700 @ 9.9 45,400 @ 17.2 |
| <i>RATED EFFICIENCY (grains / lb @ min. salt dose)</i> | 5,089 @ 2.6 |
| <i>WATER USED DURING REGENERATION (gallons) @ MINIMUM SALT DOSE</i> | 4.3 / 1,000 grains |
| <i>AMOUNT OF HIGH CAPACITY RESIN (lbs / cu ft)</i> | 65.5 / 1.26 |
| <i>RESIN TANK NOMINAL SIZE (in., dia x height)</i> | 10 x 40 |
| <i>SERVICE FLOW RATE (gpm)</i> | 10.0 |
| <i>PRESSURE DROP AT SERVICE FLOW (psi)</i> | 11.2 |
| <i>INTERMITTENT FLOW RATE @ 15 psi (gpm) ▲</i> | 12.3 |
| <i>WATER SUPPLY MAXIMUM HARDNESS (gpg)</i> | 120 |
| <i>WATER SUPPLY MAX. CLEAR WATER IRON (ppm) ■</i> | 12 |
| <i>WATER PRESSURE LIMITS (min. / max. psi) ◆</i> | 20 – 125 |
| <i>WATER TEMPERATURE LIMITS (°F)</i> | 40 – 120 |
| <i>WATER SUPPLY MINIMUM FLOW RATE (gpm)</i> | 3 |
| <i>REGENERATION CYCLE FLOW RATES (gpm)</i> | |
| <i>FILL (flow to brine tank)</i> | .3 |
| <i>BRINING</i> | 0.22 |
| <i>BRINE RINSE</i> | 0.15 |
| <i>MAX. BACKWASH</i> | 2.0 |
| <i>MAX. FAST RINSE</i> | 2.0 |



▲ Intermittent flow rate does not represent the maximum service flow rate used for determining the softeners rated capacity and efficiency. Continuous operation at flow rates greater than the service flow rate may affect capacity and efficiency performance.

■ Capacity to reduce clear water iron is substantiated by WQA test data.

◆ Canada working pressure: 1.4 - 7.0 kg/cm².

This system conforms to NSF/ANSI 44 for specific performance claims as verified and substantiated by test data.

BEFORE STARTING INSTALLATION

► WHERE TO INSTALL THE SOFTENER

Place the softener as close as possible to the pressure tank (well system) or water meter (city water).

Place the softener as close as possible to a floor drain, or other acceptable drain point (laundry tub, sump, standpipe, etc.).

Connect the softener to the main water supply pipe BEFORE or AHEAD OF the water heater. **DO NOT RUN HOT WATER THROUGH THE SOFTENER.** Temperature of water passing through the softener must be less than 120°F (49°C).

Keep outside faucets on hard water to save soft water and salt.

Put the softener in a place water damage is least likely to occur if a leak develops. The manufacturer will not repair or pay for water damage.

A 120 volt electric outlet, to plug the included transformer into, is needed near the softener. The transformer has an attached power cable. **Be sure the electric outlet and transformer are in an inside location, to protect from wet weather.**

If installing in an outside location, you must take the steps necessary to assure the softener, installation plumbing, wiring, etc., are as well protected from the elements, contamination, vandalism, etc., as when installed indoors.

Keep the softener out of direct sunlight. The sun's heat may soften and distort plastic parts.

► TOOLS, PIPE and FITTINGS, OTHER MATERIALS YOU WILL NEED

▪ *Plastic inlet and outlet fittings included with the softener allow water flow equivalent to 1" (nominal) pipe.* To maintain full valve flow, 1" pipes to and from the softener fittings are recommended. You should maintain the same, or larger, pipe size as the water supply pipe, up to the softener inlet and outlet.

▪ Use copper, brass, or galvanized pipe and fittings. Some codes may also allow PVC plastic pipe.

▪ ALWAYS install the included bypass valve, or 3 shut-off valves. Bypass valves let you turn off water to the softener for repairs if needed, but still have water in the house pipes.

▪ A length of 3/8" inside diameter flexible hose is provided for the valve drain. See step 6 on page 10.

NOTE: Avoid drain hose runs longer than 30 feet. Avoid elevating the hose more than 8 feet above the

floor. Make the valve drain line as short and direct as possible.

▪ If local codes do not allow use of a flexible drain hose, a rigid valve drain run must be used. Purchase a compression fitting (1/4 NPT x 1/2" minimum tube) and 1/2" copper tubing from your local hardware store. Plumb a rigid drain line as needed (See Figure 3 on page 10). Comply with plumbing codes.

▪ A length of 3/8" inside diameter hose is provided for the salt tank drain. See step 7 on page 11. If a longer length is needed, you can buy good quality, thick-wall, flexible hose at most hardware stores or supply houses.

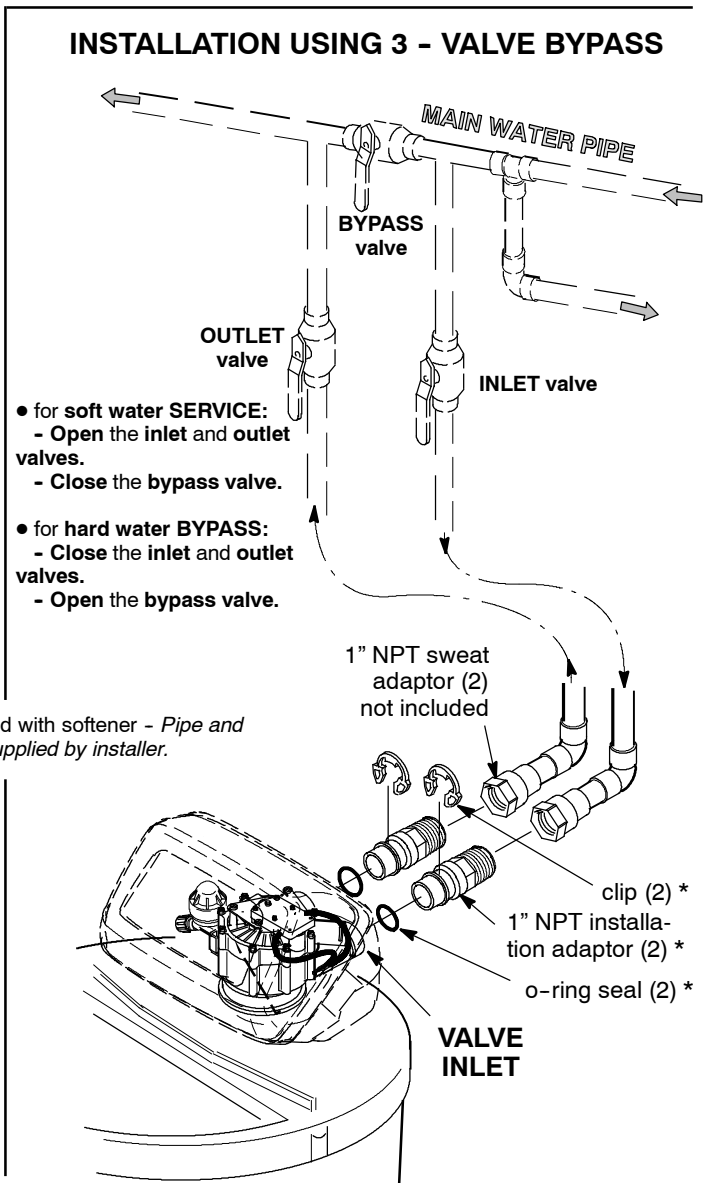
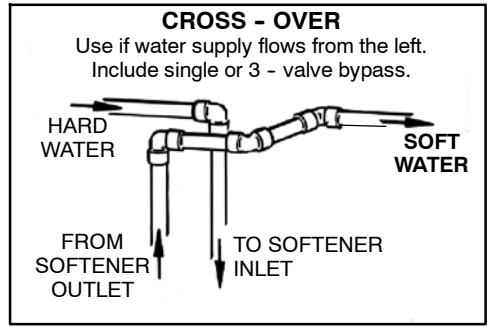
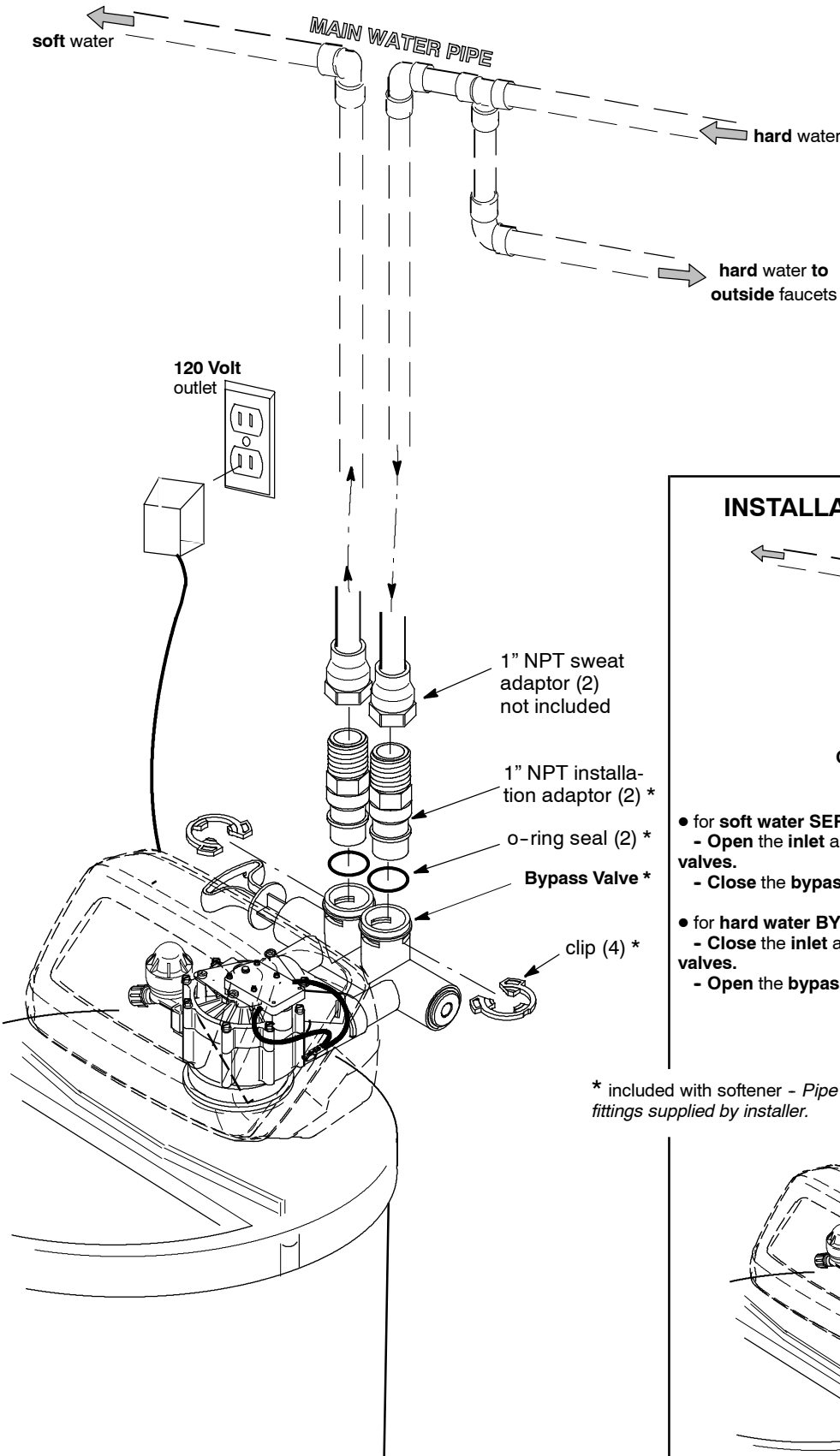
▪ Nugget or pellet water softener salt is needed to fill the brine tank (see page 11 and 15).

► PLAN HOW YOU WILL INSTALL THE SOFTENER

You must first decide how to run in and out pipes to the softener. Look at the house main water pipe at the point where you will connect the softener. Is the pipe soldered copper, glued plastic, or threaded brass/galvanized? What is the pipe size?

Now look at the typical installation illustration on page 6. Use it as a guide when planning your particular installation. **Be sure to direct raw, hard water to the softener valve inlet fitting.** The valve is marked IN and OUT.

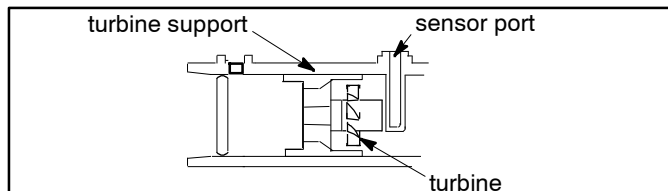
TYPICAL SOLDERED COPPER or CPVC INSTALLATIONS



INSTALLATION STEPS

1. INSTALL BYPASS VALVE and/or PLASTIC INSTALLATION ADAPTORS:

NOTE: Before installing the bypass valve or plastic installation adaptors, be sure the turbine and support are firmly in place, in the valve outlet. Blow into the valve port and observe the turbine for free rotation.



► Push the bypass valve, with lubricated o-ring seals in place, into the valve inlet and outlet ports, Figures 1A and 1C.

- AND/OR -

► Slide plastic installation adaptors, with lubricated o-ring seals in place, into the softener valve or bypass valve inlet and outlet ports, Figure 1A.

► Snap the two large plastic clips in place, from the top down, Figures 1A and 1B. **Be sure they snap into place. Pull on the plastic installation adaptors, or bypass valve, to make sure they are held securely in place.**

2. INSTALL THE BRINE TANK OVERFLOW FITTINGS:

► Insert the rubber grommet into the 3/4" diameter hole in the brine tank sidewall, see page 11.

► Push the barbed end of the hose adaptor elbow into the grommet.

3. MOVE THE SOFTENER ASSEMBLY (CABINET MODEL), OR RESIN TANK (TWO TANK MODEL) INTO INSTALLATION POSITION:

► Be sure the installation surface is level and smooth. If needed, place the tank on a section of 3/4" thick (min.) plywood. Then, place shims under the plywood as needed to level the softener.

4. PLUMB IN AND OUT PIPES TO AND FROM SOFTENER:

CAUTIONS: Observe all of the following cautions while you connect inlet and outlet plumbing.

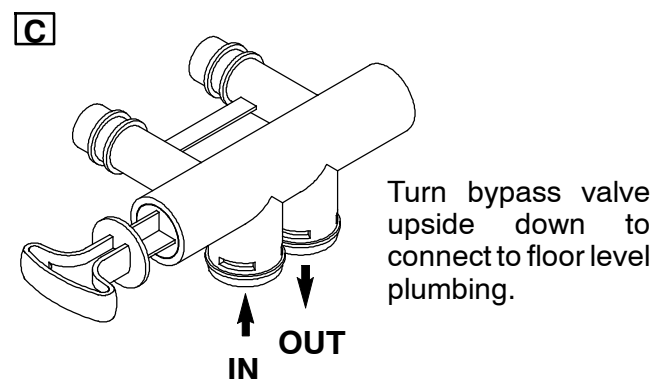
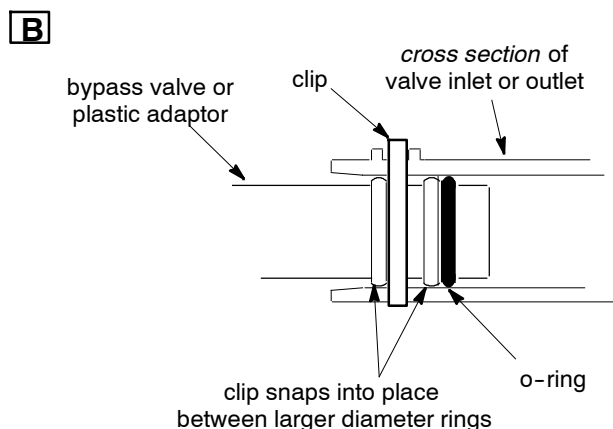
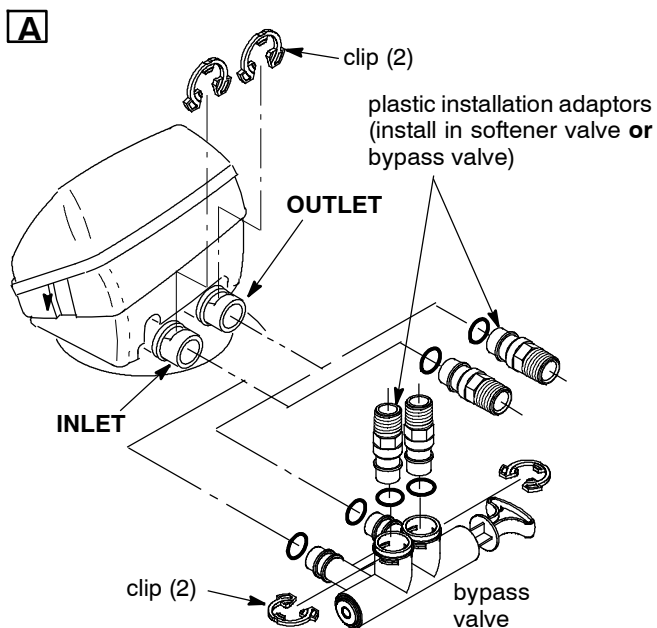
► **Shut off the electric or fuel supply to the water heater.**

► **Turn off the house water supply valve and open faucets to relieve pressure in the pipes.**

► **BE SURE RAW, HARD WATER IS DIRECTED TO THE VALVE INLET PORT.**

► Be sure to use bypass valve(s).

FIGURE 1



NOTE: CHECK LOCAL PLUMBING AND ELECTRICAL CODES. THE INSTALLATION MUST CONFORM TO THEM. In Massachusetts, plumbing codes of Massachusetts shall be adhered to. Consult with your licensed plumber.

INSTALLATION STEPS, continued

► If making a soldered copper installation, **do all sweat soldering before connecting pipes to the softener fittings**. Torch heat will damage plastic parts.

► When turning threaded pipe fittings onto plastic fittings, use care not to cross-thread.

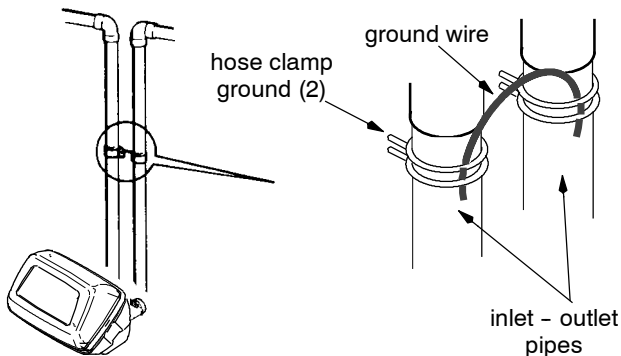
► Use pipe joint compound on all external pipe threads.

► Support inlet and outlet plumbing in some manner (use pipe hangers) to keep the weight off of the valve fittings.

5. INSTALL GROUNDING WIRE (IF NEEDED):

► To maintain electrical ground continuity in the house cold water piping, install a #4 copper wire across the removed pipe section, securely clamping it at both ends (see Figure 2) – parts not included.

FIGURE 2



6. CONNECT AND RUN THE VALVE DRAIN HOSE:

► Measure, cut to length and connect the 3/8" flexible drain hose (provided) to the valve drain fitting. Use a hose clamp to hold the hose in place.

NOTE: If codes require a rigid drain line, see "Connecting a Rigid Valve Drain Tube" in Figure 3.

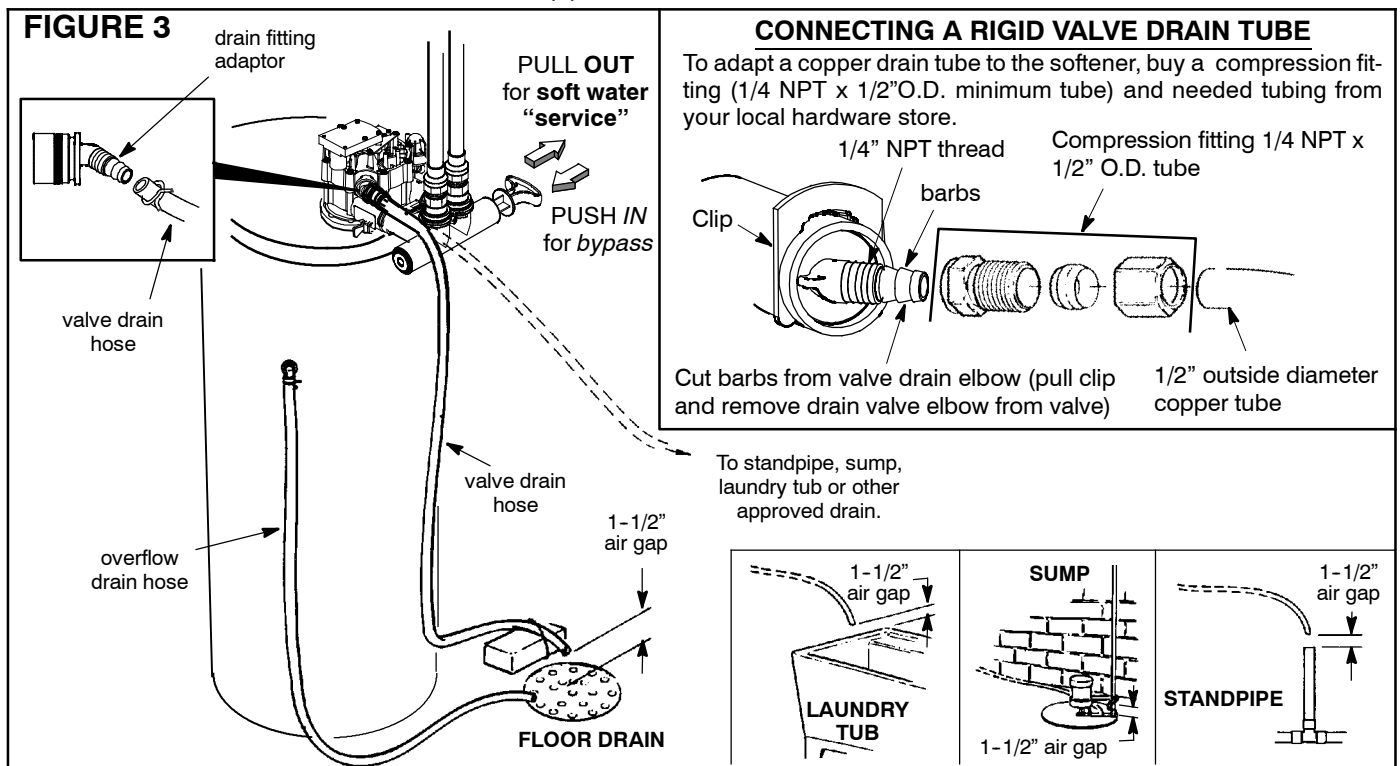
► Locate the other end of the hose at a suitable drain point...floor drain, sump, laundry tub, etc. **Check and comply with local codes.**

IMPORTANT: If a longer length of hose is needed, buy and use high quality, thick-wall hose that will not easily kink or collapse. *The water softener will not work if water cannot exit this hose during regenerations.*

► Tie or wire the hose in place at the drain point. Water pressure will cause it to whip during the backwash and fast rinse cycles of regeneration. Also provide an air gap of at least 1-1/2" between the end of the hose and the drain point. An air gap prevents possible siphoning of sewer water, into the softener, if the sewer should back up.

► If raising the drain hose overhead is required to get to the drain point, **do not raise higher than 8' above the floor**. Elevating the hose may cause a back-pressure that could reduce brine draw during regenerations.

continued



INSTALLATION STEPS, continued

7. CONNECT AND RUN THE BRINE TANK OVERFLOW HOSE:

This drain is for safety only. If the brine tank should over-fill with water, the excess is carried to the drain.

▶ Attach a length of flexible hose (included) to the drain elbow, installed in step 2, page 9. Use a hose clamp to hold it in place.

▶ Locate the other end of the hose at the drain point. **Do not elevate** this hose higher than the elbow on the brine tank. **Do not tee** this hose to the valve drain hose.

8. FLUSH PIPES, EXPEL AIR FROM SOFTENER, AND TEST YOUR INSTALLATION FOR WATER LEAKS:

CAUTION: To avoid water or air pressure damage to softener inner parts, be sure to do the following steps exactly as listed.

A. Fully open two cold, **soft** water faucets nearby the softener.

B. Place bypass valve(s) in “**bypass**” position. On a single valve, slide the stem inward to **BYPASS**, see page 10. On a 3-valve system, close the inlet and outlet valves, and open the bypass valve, see page 8.

C. Fully open the house main water pipe shutoff valve. Observe a steady flow from both opened faucets.

D. Place bypass valve(s) in “**service**”, **EXACTLY** as follows. **KEEP SOFT WATER FAUCETS OPEN.**

1. **SINGLE BYPASS VALVE:** **SLOWLY**, pull the valve stem outward to “**service**”, pausing several times to allow the softener to pressurize slowly.

2. **3-VALVE BYPASS:** Fully close the bypass valve and open the outlet valve. **SLOWLY**, open

the inlet valve, pausing several times to allow the softener to pressurize slowly.

E. After about three minutes, open a **HOT** water faucet for one minute, or until all air is expelled, then close.

F. Close both cold water faucets.

G. Check your plumbing work for leaks and fix right away, if any are found. *Be sure to observe previous caution notes.*

H. Turn on the gas or electric supply to the water heater. Light the pilot, if applicable.

9. ADD WATER AND SALT TO THE BRINE TANK:

▶ Remove the salt storage area cover. Add about three gallons of water into the tank. *Do not add into the brinewell.*

▶ Fill the tank with **NUGGET**, **PELLET** or coarse **SOLAR** water softener salt. **Do not use** rock, block, and ice cream making salts. For best results, we recommend Morton® System Saver® II Pellets for use in this water softener.

Note: If the softener is installed in a humid basement or other damp area, it is better to fill the tank with less salt, more frequently (see salt bridging in the maintenance section). Eighty to 100 lbs of salt will last for several months, depending on water hardness, family size, and model of softener.

10. CONNECT TO ELECTRICAL POWER:

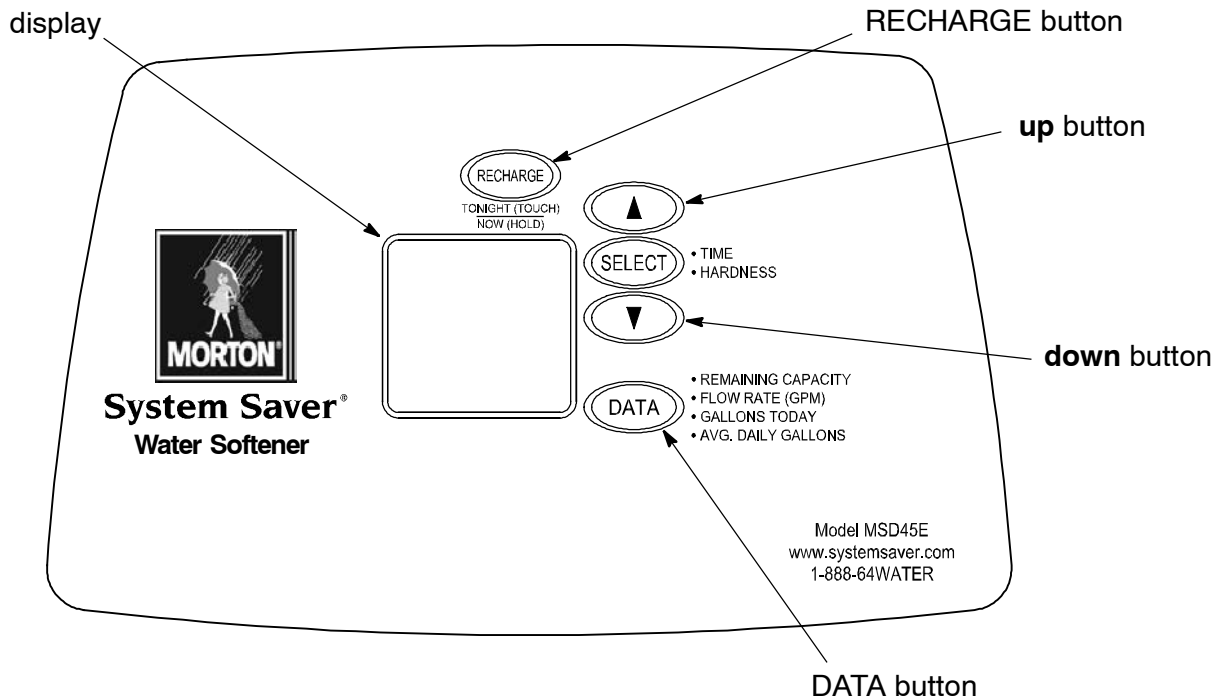
▶ The softener works on 120 volt, 60 Hz electric power. The included transformer changes standard 120 volt AC house power to 24 volts. **Plug the transformer into a 120 volt outlet only.** Be sure the outlet is always “live” so it can not be switched off by mistake.

11. PROGRAM THE MORTON WATER SOFTENER ELECTRONIC CONTROL, page 12.

Questions? Call Toll Free 1-888-64 WATER (1-888-649-2837) Monday-Friday, 8 AM - 7 PM EST or visit www.systemsaver.com

When you call, please be prepared to provide the model and serial number, located on the rating decal on back of the top cover.

PROGRAMMING THE MORTON WATER SOFTENER



► **ELECTRONIC CONTROL SETTINGS REQUIRED**...upon installation, and after an extended power outage (see Program Memory, page 18).

NOTES:

- WHEN THE TRANSFORMER IS PLUGGED INTO THE ELECTRICAL OUTLET (STEP 10, PAGE 11), **12:00PM** (flashing), and **PRESENT TIME** show in the upper display area. Program the electronic control as follows. **If A - - - is flashing**, please see Model Code setting on page 20.
- A “beeper” sounds while pressing buttons for electronic control programming. One beep signals a change in the display. Repeated beeps means the electronic control will not accept a change from the button you have pressed, and you should use another.
- To program the electronic control, you will use either the SELECT, UP or DOWN buttons.

► **SET PRESENT TIME OF DAY**

NOTE: If the words PRESENT TIME do not show in the display, press the SELECT button until they do.

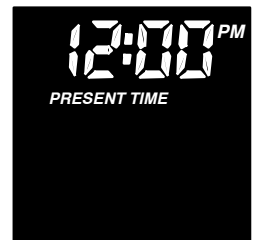
1. Press either the SELECT, UP or DOWN button to set. The UP button moves the display ahead; the DOWN button moves the time backward.

NOTE: Each press of the UP or DOWN button changes the time by one minute. Holding the buttons in changes the time 32 minutes each second.

2. When the present time shows, press SELECT to apply.

If the present time is between noon and midnight, be sure PM shows.

If the present time is between midnight and noon, be sure AM shows.



PROGRAMMING THE MORTON WATER SOFTENER, continued

► SET WATER HARDNESS NUMBER

NOTE: If 25 (factory default) and HARDNESS do not show in the display, press the SELECT button until they do.

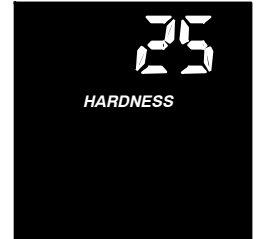
1. Press either the SELECT, UP or DOWN button to set your water hardness number in the display. The DOWN button moves the display down to 1. The UP button moves the display up to 95, 110, or 120, depending on the model code.

NOTE: Each press of the UP or DOWN button changes the display by 1 between 1 and 25. Above 25, the display changes 5 at a time; 25, 30, 35, etc. Holding a button in changes the numbers twice each second.

2. When your water hardness number shows, press SELECT to apply.

You can get the grains per gallon (gpg) hardness of your water supply from a water analysis laboratory, or call and ask your local water department, if you are on a municipal supply.

If your water supply contains ferrous (clear water) iron, increase the hardness setting to compensate for it as follows: Add 5 to the hardness number for each 1 ppm of iron.



The special features of your water softener are explained on pages 17-20.

TO COMPLETE THE INSTALLATION, DO THE SANITIZING BELOW.

SANITIZING PROCEDURES

Care is taken at the factory to keep your water softener clean and sanitary. Materials used to make the softener will not infect or contaminate your water supply, and will not cause bacteria to form or grow. However, during shipping, storage, installing and operating, bacteria could get into the softener. For this reason, sanitizing as follows is suggested when installing.

1. Be sure to complete all installation steps, including electronic control programming.

2. Pour about 3/4 oz. of common 5.25% household bleach (Clorox, Linco, Bo Peep, White Sail, Eagle, etc.) **into the brinewell.**

3. **Start a recharge:** Press the RECHARGE button and hold for 3 seconds, until *RECHARGE NOW* begins to flash in the display. This recharge draws the sanitizing bleach into and through the water softener to sanitize it. Any air remaining in the unit is purged to the drain.

4. After the recharge has completed, fully open a cold water faucet, downstream from the softener, and allow 50 gallons of water to pass through the system. This should take at least 20 minutes. Close the faucet.

§NOTE: Sanitizing is recommended by the Water Quality Association for disinfecting. On some water supplies, they suggest periodic sanitizing.

NOTE: When the above sanitizing regeneration is over, all remaining bleach is flushed from the conditioner and your house COLD water supply is fully soft immediately. However, **your water heater is filled with hard water** and, as hot water is used, it will refill with soft water. When all the hard water is replaced, in the water heater, hot only, and mixed hot and cold water will be fully soft. If you want totally soft water immediately, after the above regeneration, drain the water heater until the water runs cold. **If you do drain the water heater, use extreme care as the hot water could cause severe burns.**

WATER AND WATER CONDITIONING

WATER CONDITIONING INFORMATION

IRON in water can cause stains on clothing and plumbing fixtures. It can negatively affect the taste of food, drinking water, and other beverages. Iron in water is measured in parts per million (ppm). The total* ppm of iron, and type or types*, is determined by chemical analysis. Four different types of iron in water are: ① Ferrous (clear water), ② Ferric (red water), ③ Bacterial and organically bound iron, ④ Colloidal and inorganically bound iron (ferrous or ferric).

Ferrous (clear water) iron is soluble and dissolves in water. This water softener will reduce moderate amounts of this type of iron (see specifications).** It is usually detected by taking a sample of water in a clear bottle or glass. Immediately after taking, the sample is clear. As the water sample stands, it gradually clouds and turns slightly yellow or brown as air oxidizes the iron. This usually occurs in 15 to 30 minutes.

When using the softener to reduce Ferrous (clear water) iron, add 5 grains to the hardness setting for every 1 ppm of Ferrous (clear water) iron. See "Set Water Hardness Number" section.

Ferric (red water), and Bacterial and organically bound irons are insoluble. This water softener will not remove ferric or bacterial iron. This iron is visible

immediately when drawn from a faucet because it has oxidized before reaching the home. It appears as small cloudy yellow, orange, or reddish suspended particles. After the water stands for a period of time, the particles settle to the bottom of the container. Generally these irons are removed from water by filtration. Chlorination is also recommended for bacterial iron.

Colloidal and inorganically bound iron is of ferric or ferrous form that will not filter or exchange out of water. In some instances, treatment may improve colloidal iron water, but always CONSULT A QUALIFIED WATER CHEMISTRY LAB before attempting to treat it. Colloidal iron water usually has a yellow appearance when drawn. After standing for several hours, the color persists and the iron does not settle, but remains suspended in the water.

Iron in water causes stains on clothing and plumbing fixtures. It negatively affects the taste of food, drinking water, and other beverages.

*Water may contain one or more of the four types of iron and any combination of these. Total iron is the sum of the contents.

**Capacity to reduce clear water iron is substantiated by WQA test data.

GENERAL WATER SOFTENER MAINTENANCE

CHECKING THE SALT STORAGE LEVEL, AND ADDING SALT (also see page 11)

Brine (salt dissolved in water) is needed for each and every regeneration. The water for making brine is metered into the salt storage area by the softener valve and electronic control. However, **you must maintain a level of salt in the tank.** In humid areas, it is best to add less salt, more often.

WHEN TO ADD SALT: Check the salt level a few weeks after you install the softener and every week after that. Add when the brine tank is from 1/3 to 1/2 full. Never allow the softener to use all the salt before

you add more. Without salt, you will soon have hard water.

Use clean water softener salt only, at least 99.5% pure. NUGGET, PELLET or coarse SOLAR salts are recommended. Do not use rock, block, granulated, and ice cream making salts. They contain dirt and sediments, or mush and cake, and will create maintenance problems. For best results, we recommend Morton® System Saver® II Pellets for use in this water softener.

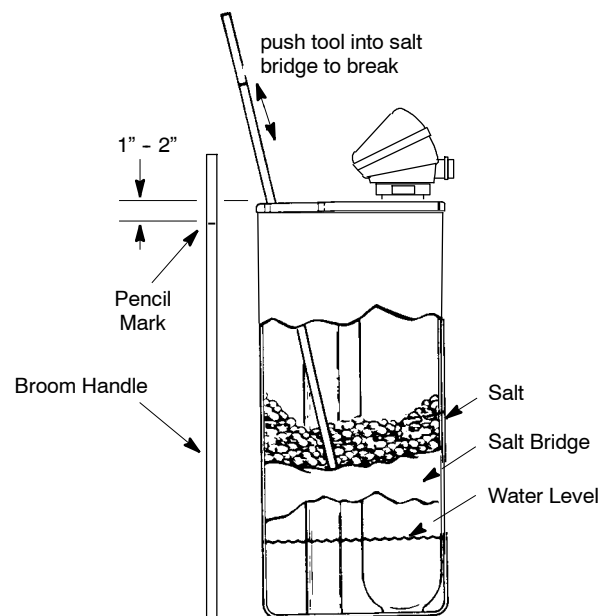
BREAKING A SALT BRIDGE

Sometimes, a hard crust or salt bridge forms in the salt storage area. It is usually caused by high humidity or the wrong kind of salt. When the salt bridges, an empty space forms between the water and salt. Then salt will not dissolve in the water to make brine.

If the brine tank is full of salt, it is hard to tell if you have a salt bridge. Salt is loose on top, but the bridge is under it. The following is the best way to check for a salt bridge.

Salt should be loose all the way to the bottom of the tank. Take a broom handle, or like tool, and **carefully** push it down into the salt, working it up and down. If the tool strikes a hard object (be sure it's not the bottom or sides of the tank), it's most likely a salt bridge. Carefully break the bridge with the tool. **DO NOT** pound on the walls of the tank.

If the wrong kind of salt made the bridge, take it out. Then fill the tank with nugget or pellet salt only. For best results, we recommend Morton® System Saver® II Pellets for use in this water softener.



CLEANING IRON OUT OF THE WATER SOFTENER

Your water softener takes hardness minerals (calcium and magnesium) out of the water. Also, it can control some (see specifications, page 6) "clear water" iron. With clear water iron, water from a faucet is clear when first put into a glass. After 15 to 30 minutes, the water begins to cloud or turn rust colored. A water softener **WILL NOT** remove any iron that makes the water cloudy or rusty as it comes from the faucet (called red water iron). To take red water iron out of water, or over the maximum of clear

water iron, an iron filter or other equipment is needed. Your local dealer has trained people to help you with iron water problems.

If your water supply has clear water iron, periodic resin bed cleaning is needed. Clean the bed at least every six months, or more often if iron appears in the soft water between treatments. Follow directions on the resin bed cleaner container.

GENERAL WATER SOFTENER MAINTENANCE, continued

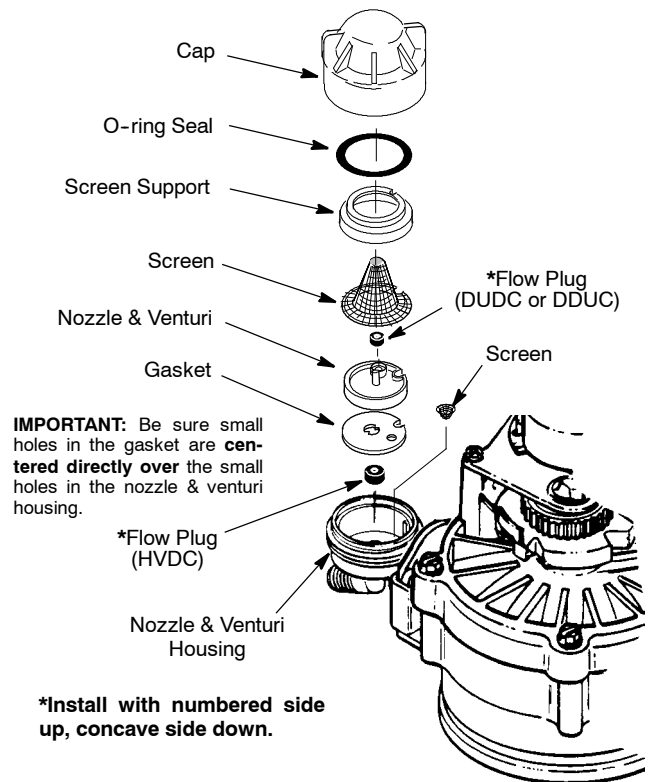
CLEANING THE NOZZLE AND VENTURI ASSEMBLY

A clean nozzle and venturi is needed for the softener to work right. This small unit makes the suction to move brine from the salt storage area to the resin tank during regeneration. If the nozzle and venturi becomes plugged with sand, silt, dirt, etc., the softener will not work and you will get hard water.

To get to the nozzle and venturi, remove the softener top cover. Be sure the softener is in service cycle (no water pressure at nozzle and venturi). Then, while holding the nozzle & venturi housing with one hand, turn off the cap. Lift out the screen support and screen, then the nozzle and venturi. Wash and rinse the parts in warm water until clean. If needed, use a small brush to remove iron or dirt. Also check and clean the gasket.

NOTE: Models in this manual have a small flow plug located in the nozzle and venturi, and a small cone shaped screen in the housing. Be sure to check and clean these parts.

Carefully replace all parts in the correct order. Lubricate the o-ring seal with silicone grease and place in position. Install and tighten the cap, **by hand only**. Do not over-tighten and break the cap or housing.



SERVICE CHECKLIST

NO SOFT WATER

No salt in storage tank: See page 15 to refill, then start a regeneration, or recharge.

Transformer unplugged at wall outlet, or disconnected from electronic control: Reconnect to electrical power and start a regeneration, or recharge.

Fuse blown, circuit breaker popped, or circuit mistakenly switched off: Check and resolve as needed. Then, start a regeneration, or recharge.

Plumbing bypass valve(s) in "bypass" position: Refer to page 8 or 10 and position valve(s) for "service" to direct soft water to house pipes. Then, start a regeneration, or recharge.

Electronic control not programmed: See pages 12 and 13.

Nozzle & venturi dirty, or salt in storage tank bridged: See page 15 and above to clean. Then, start a regeneration, or recharge.

WATER INTERMITTENTLY HARD

Possible increase in water hardness: See page 13.

Hot water used when softener is regenerating: The water heater will refill with hard water.

Leaking faucet or toilet valve: A small leak will waste hundreds of gallons of water in just a few days. Fix all water leaks immediately.

MORTON WATER SOFTENER FEATURES AND SETTINGS

NOTE: SEE PAGES 12 and 13 TO SET THE CORRECT TIME OF DAY AND WATER HARDNESS NUMBER.

NORMAL OPERATION, ELECTRONIC CONTROL DISPLAY

During normal operation, the present time of day, and AM or PM, show in the time display area. The demand computer determines when a regeneration is needed. Then, a regeneration will begin at the next regeneration start time



(2:00AM or as you set it). RECHARGE NOW will flash until the regeneration is over. The display will also show the current cycle in the regeneration process. When the valve is in transition between cycles, both indicators flash.

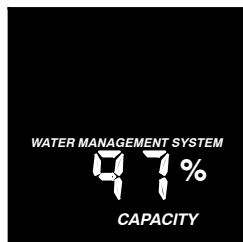


feature: OTHER DATA DISPLAYS

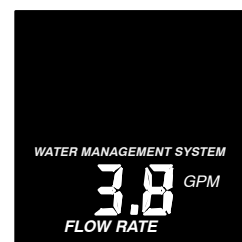
With repeated presses of the DATA button, you can scan through four displays of operational information. This data appears in the bottom portion of the display area. These are:

- REMAINING CAPACITY
- FLOW RATE (GPM)
- GALLONS TODAY
- AVG. DAILY GALLONS

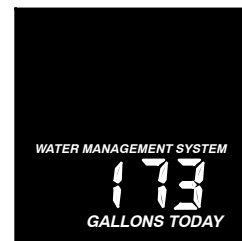
CAPACITY (remaining) - This is the percentage of water softening capacity remaining. Immediately after a regeneration, 100% shows. Then, as water is used, the percentage decreases until the next regeneration. During regenerations, the percentage increments upward.



FLOW RATE, GPM* - When using soft water, this display shows the gallon per minute flow rate passing through the softener. Zero shows if water is not in use.

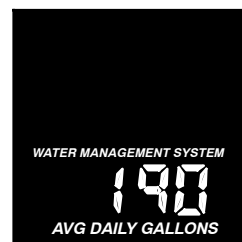


GALLONS* TODAY - Each day, beginning at midnight, the electronic control keeps a running count of the total gallons of water passing through the softener.



NOTE: Zero (0%) shows until after the first regeneration begins, after connecting to electrical power.

AVERAGE DAILY GALLONS* - The figure displayed is the average gallons of water used by the household each day, over the past seven day period.



* If preferred, you can set the display to show the reading in liters instead of gallons, see page 20. If gallons today, or average daily gallons exceeds 1999, a (x 10) indicator appears. This means you must multiply the number shown times 10.

feature: OPTIONAL RECHARGE CONTROLS

Sometimes, a manually started regeneration (recharge) may be desired, or needed. Two examples are:

... You have used more water than usual (house guests, extra washing, etc.) and you may run out of soft water before the next regeneration.

... You did not refill the storage tank with salt before it was all gone.

Use one of the following features to start a regeneration immediately, or at the next preset regeneration start time.

continued

MORTON WATER SOFTENER FEATURES AND SETTINGS, continued

RECHARGE NOW



Press and *hold* in the RECHARGE button *until RECHARGE NOW* starts to flash in the time display area. The softener begins an immediate regeneration, and when over in about two hours, you will have a new supply of soft water. Once started, you cannot cancel this regeneration.

RECHARGE TONIGHT



Touch (*do not hold*) the RECHARGE button, and **RECHARGE TONIGHT** flashes in the time display area. A regeneration will occur at the next preset regeneration start time. If you decide to cancel this regeneration, *before it has started*, touch the same button once more.

VACATION NOTE

The Morton Demand water softener regenerates only while water is used and softening capacity must be restored. For this reason, the softener will not regenerate when you are away from home for extended periods.

feature: **PROGRAM MEMORY**

If electrical power to the softener is interrupted, the time display is blank, but the electronic control keeps correct time for about 24 hours. When power is restored, you have to reset the present time **only if** the display is flashing. **All** other settings are maintained and never require resetting unless a change is desired.

If the time *is* flashing after a long power outage, the softener continues to work as it should to provide you with soft water. However, regenerations may occur at the wrong time of day until you reset the electronic control to the correct time of day, page 12.

setting: **REGENERATION (STARTING) TIME, MAXIMUM DAYS BETWEEN REGENERATIONS, EFFICIENCY MODE, HEAVY DUTY BACKWASH AND 97% FEATURE**


NOTE: Each of these settings has a factory set default value. The defaults are: Regeneration start time - 2:00AM; Maximum days between regenerations - 0 (*display shows dY -*); Efficiency Mode - OFF; 97% Feature - OFF; Heavy duty backwash - OFF. The defaults suit most installations. However, depending on water supply quality, household peak water use hours, etc., adjustment is available to meet specific needs. To make a change, read and do the following.

continued

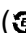
MORTON WATER SOFTENER FEATURES AND SETTINGS, continued

REGENERATION (START) TIME: At the 2:00AM regeneration start time, the softener begins regenerations at that time. This is a good time in most households because water is not in use. If a different time would be better for your needs, do steps 1, 2, 4, 6, 8 and 10 to change the starting hour.

MAXIMUM DAYS BETWEEN REGENERATIONS: The default setting allows the water softener to control regeneration frequency based on water usage readings from the water meter. It provides the most economical operation. You can set a maximum time (in days) between regenerations. For example, no more than 3 days will pass without a regeneration occurring if you set dY 3 in the display. A 1 to 15 day setting is available. To make a change from the default setting, do steps 1, 2, 3, 4, 6, 8 and 10.

EFFICIENCY MODE: When this feature is ON, the unit will operate at salt efficiencies of 4000 grains of hardness per pound of salt or higher. (May recharge more often using smaller salt dosage and less water). When this is ON the efficiency icon  will show in the lower right hand corner of the display. To make a change from the default setting, do steps 1, 2, 4, 5, 6, 8 and 10.

CALIFORNIA EFFICIENCY REQUIREMENT

Your water softener has a “High Efficiency” feature with an “ON” or “OFF” setting. This softener setting is shipped in the “OFF” position, which utilizes the maximum rated capacity while most often achieving maximum salt efficiencies. When installing this unit in the State of California, you **MUST** turn this setting to the “ON” position which may initiate more frequent recharges, however it will operate at 4000 grains per pound of salt or higher. If you wish to turn the Salt Efficiency feature “ON” ( icon will show in display), follow the instructions on this page.

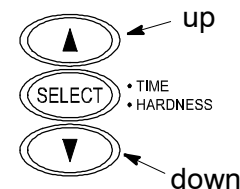
HEAVY DUTY BACKWASH: When set to ON, the backwash cycle of regeneration will be 10 minutes long instead of the normal 7 minute length. This is beneficial on some water supplies high in iron or sediment content. To conserve water, on clean supplies, be sure OFF shows. To change this setting, do steps 1, 2, 4, 6, 7, 8 and 10.

SET 97% FEATURE: By setting to On, unit will automatically recharge when 97% capacity has been used, at any time of day. To change this setting, do steps 1, 2, 4, 6, 8, 9 and 10.

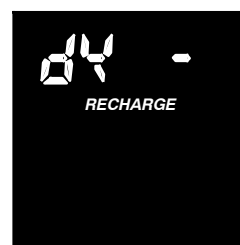
1. Beginning from the present time display, press and *hold* in the SELECT button until 2:00 AM begins to flash, RECHARGE TIME remains steady.




2. Press the up or down button to display the desired start time. The up button moves the time ahead; the down button moves the time backward. Press the SELECT button to select time and move to next setting.



3. dY - flashes, with RECHARGE remaining steady. Pressing the up button will increase the number of days, the down button will decrease the number of days.



4. Press the SELECT button to select and move to next setting.

5. On flashes and the efficiency mode icon  shows in the lower right hand corner of the screen. Use the up or down buttons to toggle the efficiency mode either ON or OFF.



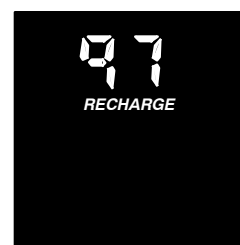
6. Press the SELECT button to select and move to next setting.

7. HEAVY BACKWASH and flashing OFF shows in the display. Use the up or down buttons to toggle the heavy backwash either ON or OFF.



8. Press the SELECT button to select and move to next setting.

9. Display toggles between 97 Recharge and OFF. Use the up or down buttons to toggle this setting either ON or OFF.



10. Press the SELECT button to select and return to the present time display.

MORTON WATER SOFTENER FEATURES AND SETTINGS, continued

setting: MODEL CODE, 12 OR 24 HOUR CLOCK, AND GALLONS OR LITERS MEASURE . . .

NOTE: The model code is factory set at assembly and testing. The hour clock and water measure have factory set default values. The defaults are: 12 or 24 hour clock – 12; Gallons or liters measure – gallons. The model code should never require resetting, but to check, or to set if previously omitted, read below. The defaults suit most installations. However, to make a change, read and do the following.

MODEL CODE: The *electronic control must have the right model code set* to operate the softener correctly. The correct model code for model **MSD45E** is **A 45**.

If **A - - -** is flashing in the display, do steps 2, 3, 5 and 7.

To check for the correct code setting, and to reset if needed, do steps 1, 2, 3, 5 and 7.

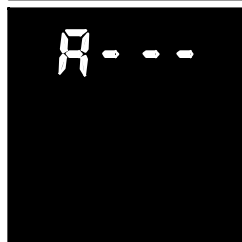
12 OR 24 HOUR CLOCK: With 12 hr set, all time displays are in standard clock time, 12:00AM to 11:59PM. If 24 hr is set, time displays are in military time... 0100 (1:00AM) to 0000 (midnight). To change from the 12 hr setting, do steps 1, 3, 4, 5, and 7.

GALLONS OR LITERS MEASURE: All water flow rate and usage displays are in gallons with the default GALS setting. If reset to litErS, the same displays are shown in liters. Use steps 1, 3, 5, 6 and 7 to change.

1. Beginning from the present time display, press and *hold* in the SELECT button *until* 2:00 AM (or as otherwise set), and RECHARGE TIME begins to flash.



2. Press and *hold* in the SELECT button again. Either **A - - -** or a previously set code will appear. If setting is needed, use the up or down button to set model code, as needed.



3. Press SELECT to select and move to next screen.

4. 12 hr flashes along with TIME. To change the display to 24 hr, use the up button. Use the down button to reset to 12 hr.



5. Press SELECT to select and move to next screen.

6. GALS flashes, along with GALLONS. Use the up button to change to the liter setting. Use the down button to return to the gallon setting.



7. Press the SELECT button a final time to return to the present time display.

MORTON WATER SOFTENER SERVICE

feature / service: AUTOMATIC ELECTRONIC DIAGNOSTICS

The electronic control has a self-diagnostic function for the electrical system (except input power and water meter). The computer monitors the electronic components and circuits for correct operation. If a malfunction occurs, an error code appears in the display.

The following chart shows the error codes that could appear, and *possible* defects for each code. While an error code is displayed, the RECHARGE and DATA buttons remain operable so you can perform the Manual Initiated Electronics Diagnostic.

| | ERROR CODE DISPLAYED | | | |
|--|---------------------------------|---|---------------|----------------------------|
| | Err 01 | Err 03 | Err 04 | Err 05 |
| POSSIBLE DEFECT | ♦ motor inoperative ♦ switch | ♦ wiring harness, or connection to switch ♦ valve defect causing high torque | ♦ position | ♦ electronic control (PWA) |
| TO REMOVE AN ERROR CODE: (1) unplug transformer (2) correct defect (3) plug transformer in (4) Wait for at least 12 minutes. The error code will return if the reason for the error code was not corrected. | | | | |

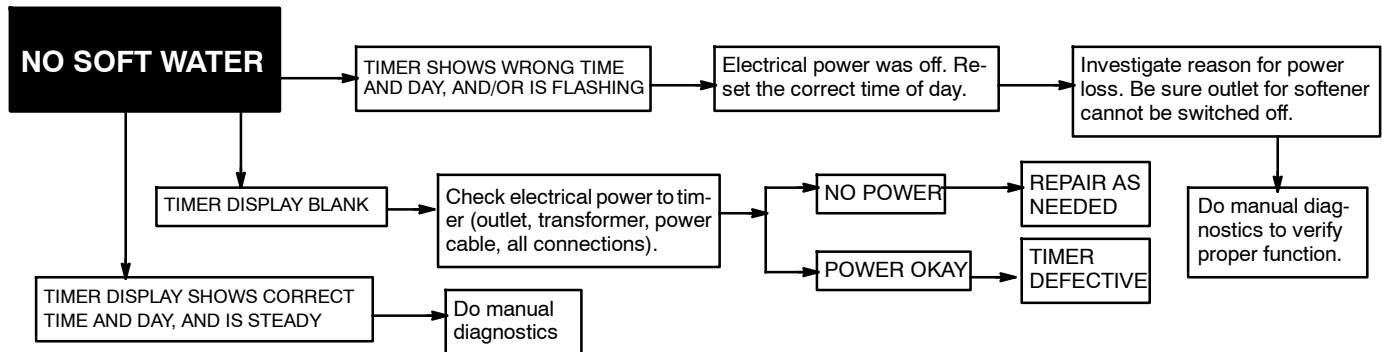
MORTON WATER SOFTENER SERVICE, continued

service: **TIMER / SOFTENER, SERVICE CHECKOUT PROCEDURE**

If you are not getting soft water, and an error code is not displayed, use the procedures below to find the problem. First, make the following visual checks.

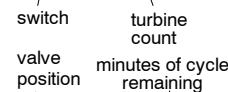
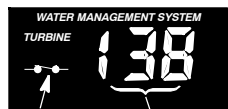
VISUAL CHECKS: (1) Is there electrical power to the outlet the softener transformer is plugged into?

(2) Is there salt in the storage tank? (3) Is the plumbing bypass valve(s) directing water for soft water service... see pages 6 and 8? (4) Is the valve drain hose open to the drain, not elevated too high, and unobstructed? If you do not find a problem with the visual checks, continue below.



service: **MANUAL INITIATED ELECTRONICS DIAGNOSTIC**

1. To enter diagnostics, press and hold the DATA button until the display appears as shown here. The dY and number, in the top part of the display, is days since the last recharge. See (A) and (B) following, explaining the bottom portion of the display.

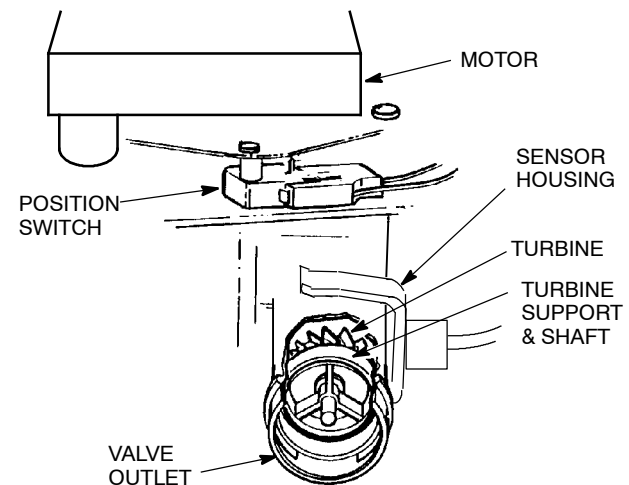


NOTE: If the softener is in the middle of a regeneration, the top part of the display shows the cycle of regeneration, and minutes of the cycle remaining. If two cycle names are flashing, the valve is in transition between the cycles.

(A) The 3 digits, under WATER MANAGEMENT SYSTEM, indicate water meter operation as follows:

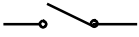

- ▶ **000** (steady) = soft water not in use...no flow through the meter.
- **OPEN A NEARBY SOFT WATER FAUCET** —
- ▶ **000 to 140** (continual) = repeats display for each gallon of water passing through the meter.

If you don't get a reading in the display, with faucet open, pull the sensor from the valve outlet port. Pass a small magnet back and forth in front of the sensor. You should get a reading in the display. If you get a reading, unhook the in and out plumbing and check the turbine for binding.



MORTON WATER SOFTENER SERVICE, continued

(B) This display segment (—○—), in the following table, indicates an open POSITION switch. The other indicates a closed switch. Use the RECHARGE button to manually advance the valve into each cycle and check correct switch operation.

| CORRECT SWITCH DISPLAYS | VALVE CYCLE STATUS |
|---|--|
|  | Valve in service, fill, brining, back-wash or fast rinse position. |
|  | Valve rotating from one position to another. |

service: **MANUAL ADVANCE REGENERATION CHECK**

This check verifies proper operation of the valve motor, brine tank fill, brine draw, regeneration flow rates, and other timer - valve functions. **First, make the initial checks, and the manual initiated diagnostics.**

NOTE: The face plate display must show a steady time (not flashing).

1. Press the RECHARGE button and *hold* in for 3 seconds. RECHARGE NOW begins to flash as the softener enters the fill cycle of regeneration. Remove the brinewell cover and, using a flashlight, observe fill water entering the brine tank.

▶ If water **does not** enter the tank, look for an obstructed nozzle, venturi, fill flow plug, brine tubing, or brine valve riser pipe.

2. After observing fill, press the RECHARGE button to move the softener into brining. A slow flow of water to the drain will begin. Verify brine draw from the brine tank by shining a flashlight into the brinewell and observing a noticeable drop in the liquid level.

NOTE: Be sure a salt bridge is not preventing water with salt contact.

2. Press the DATA button again. This diagnostic display, shows the total number of *recharges* (top) since the timer was connected to electrical power.



The number of *days* since the timer was connected to electrical power, is shown in the bottom part of the display. If over 1999 days, a (x 10) indicator shows, meaning you must multiply the number shown times 10.

3. Press DATA once again to return the present time to the display.

- ▶ If the softener does not draw brine...
 - ...nozzle and/or venturi dirty or defective.
 - ...nozzle and venturi not seated properly on gasket.
 - ...restricted drain (check drain fitting and hose).
 - ...defective nozzle and venturi seal.
 - ...other inner valve defect (rotor seal, rotor & disc, wave washer, etc.).

3. Press RECHARGE to move the softener into fast rinse. Again look for a fast drain flow. Allow the softener to rinse for a few minutes to flush out any brine that may remain in the resin tank from the brining cycle test.

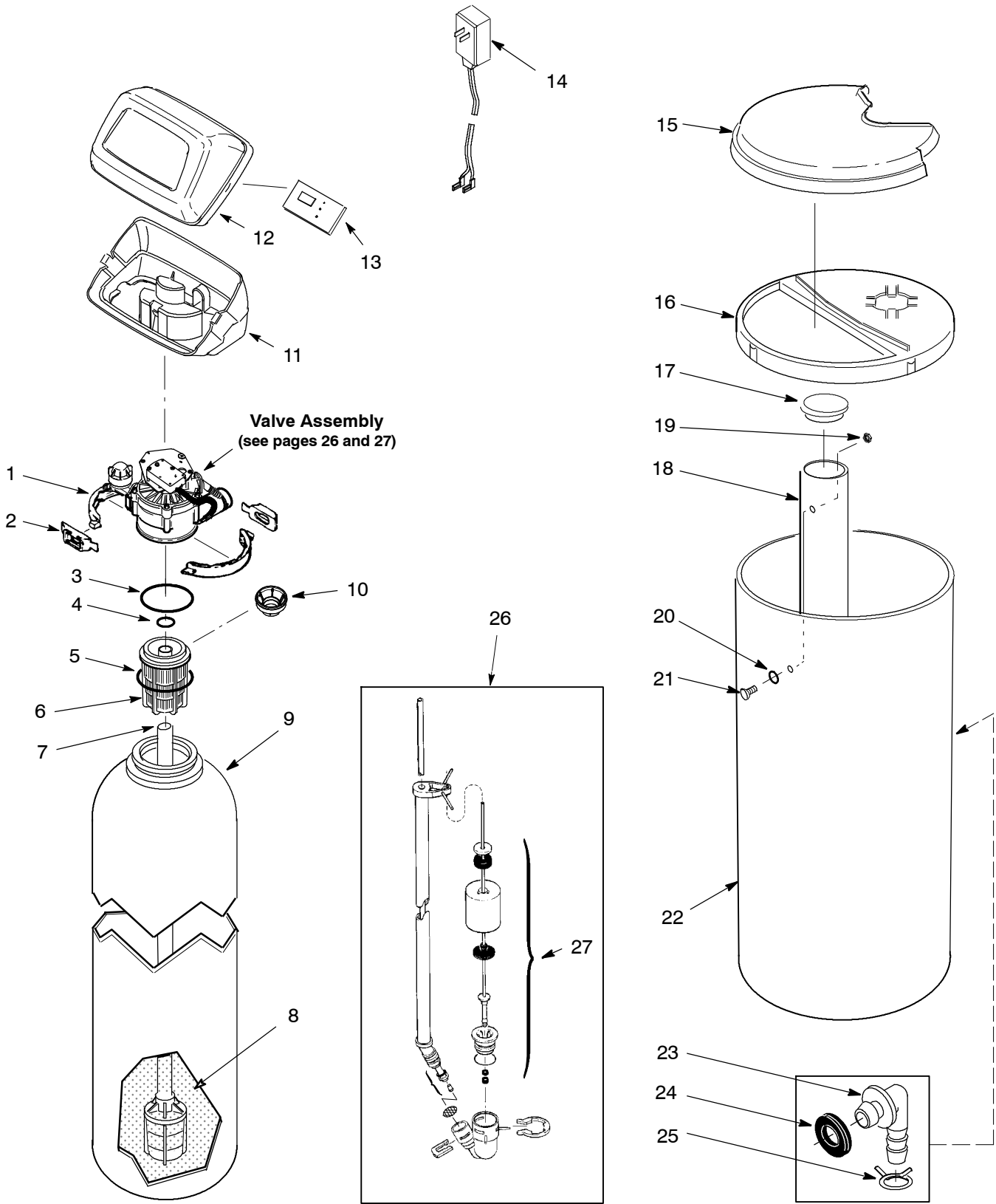
4. To return the softener to service, press RECHARGE.

Need help troubleshooting? Call Toll Free 1-888-64 WATER (1-888-649-2837)

Monday-Friday, 8 AM - 7 PM EST or visit www.systemsaver.com

When you call, please be prepared to provide the model and serial number, located on the rating decal on back of the top cover.

REPAIR PARTS



REPAIR PARTS

| KEY NO. | PART NO. | DESCRIPTION |
|---------|----------|---|
| - | 7331177 | Tank Neck Clamp Kit (includes 2 ea. of Key Nos. 1 & 2) |
| 1 | ↑ | Clamp Section (2 req.) |
| 2 | ↑ | Retainer Clip (2 req.) |
| - | 7112963 | Distributor O-ring Kit (includes Key Nos. 3-5) |
| 3 | ↑ | O-ring, 2-7/8 in. x 3-1/4 in. |
| 4 | ↑ | O-ring, 13/16 in. x 1-1/16 in. |
| 5 | ↑ | O-ring, 2-3/4 in. x 3 in. |
| 6 | 7077870 | Top Distributor |
| 7 | 7105047 | Repl. Bottom Distributor |
| 8 | 0502272 | Resin, 53 lbs (1 cu ft) |
| 9 | 7247996 | Resin Tank, 10 in. dia x 40 in. |
| 10 | 7265025 | Filter Screen |
| 11 | 7189449 | Bottom Cover |
| 12 | 7174868 | Faceplate Cover (order decal below) |
| ◆ | 7310901 | Decal, Faceplate |
| 13 | 7310969 | Repl. Electronic Control Board (PWA) |
| 14 | 7275907 | Transformer |

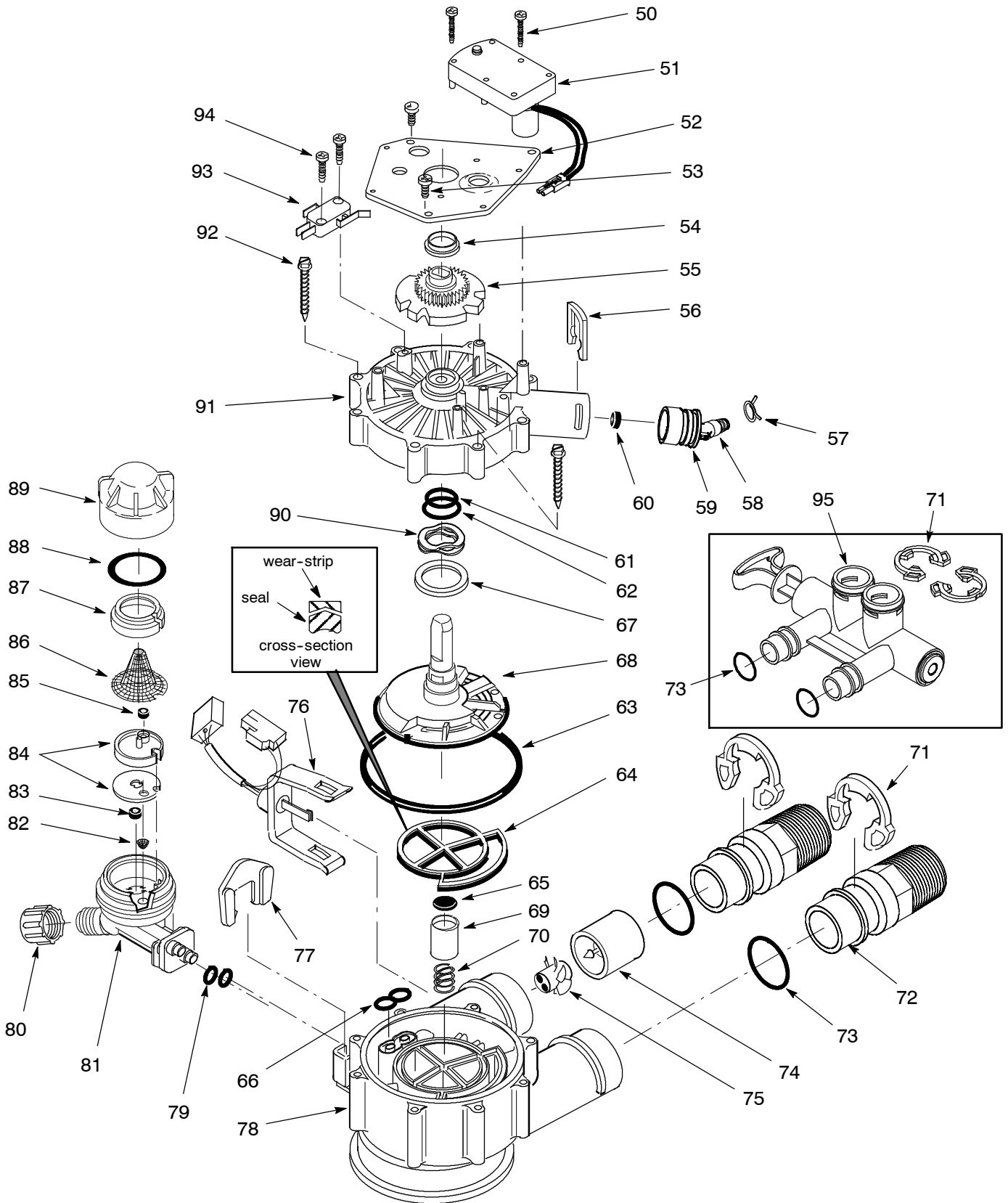
| KEY NO. | PART NO. | DESCRIPTION |
|---------|----------|--|
| 15 | 7192785 | Salt Cover |
| 16 | 7178626 | Rim |
| 17 | 7155115 | Brinewell Cover |
| 18 | 7109871 | Brinewell |
| - | 7331648 | Brinewell Mounting Hardware Kit (includes Key Nos. 19-21) |
| 19 | ↑ | Wing Nut, 1/4-20 |
| 20 | ↑ | O-ring, 1/4 in. x 3/8 in. |
| 21 | ↑ | Screw, 1/4-20 x 5/8 in. |
| 22 | 7161831 | Repl. Brine Tank (includes Key Nos. 18-21) |
| - | 7331258 | Overflow Hose Adaptor Kit (includes Key Nos. 23-25) |
| 23 | ↑ | Adaptor Elbow |
| 24 | ↑ | Grommet |
| 25 | ↑ | Hose Clamp |
| 26 | 7310210 | Brine Valve Assembly |
| 27 | 7327568 | Float, Stem & Guide Assembly |
| ◆ | 7139999 | Drain Hose, 20 ft. |

◆ not illustrated.

**Questions? Call Toll Free 1-888-64 WATER (1-888-649-2837) Monday-Friday, 8 AM - 7 PM EST
or visit www.systemsaver.com**

When you call, please be prepared to provide the model and serial number,
located on the rating decal on back of the top cover.

REPAIR PARTS



REPAIR PARTS

| KEY NO. | PART NO. | DESCRIPTION |
|---------|----------|--|
| 50 | 7224087 | Screw, #8-32 x 1 in. (2 req.) |
| 51 | 7286039 | Motor (incl. 2 ea. of Key No. 50) |
| 52 | 7231393 | Motor Plate |
| 53 | 0900857 | Screw, #6-20 x 3/8 in. (3 req.) |
| 54 | 7171250 | Bearing |
| 55 | 7283489 | Cam and Gear |
| - | 7331169 | Drain Hose Adaptor Kit (includes Key Nos. 56-60) |
| 56 | ↑ | Clip (Drain) |
| 57 | ↑ | Hose Clamp |
| 58 | ↑ | Drain Hose Adaptor |
| 59 | ↑ | O-ring, 15/16 in. x 1-3/16 in. |
| 60 | ↑ | Flow Plug, 2.0 gpm |
| - | 7185487 | Seal Kit (includes Key Nos. 61-66) |
| 61 | ↑ | O-ring, 5/8 in. x 13/16 in. |
| 62 | ↑ | O-ring, 1-1/8 in. x 1-1/2 in. |
| 63 | ↑ | O-ring, 4-1/2 in. x 4-7/8 in. |
| 64 | ↑ | Rotor Seal |
| 65 | ↑ | Seal |
| 66 | ↑ | Seal (Nozzle & Venturi) |
| 67 | 7174313 | Bearing, Wave Washer |
| 68 | 7185500 | Rotor & Disc |
| 69 | 7171187 | Plug (Drain Seal) |
| 70 | 7129889 | Spring |
| 71 | 7337589 | Clip, 1", pack of 4 |
| 72 | 7271204 | Installation Adaptor, 1 in. (2 req.) |
| 73 | 7337597 | O-Ring, 1-1/16 in. x 1-5/16 in., pack of 4 |

| KEY NO. | PART NO. | DESCRIPTION |
|---------|----------|--|
| - | 7290931 | Turbine & Support Assembly, including 2 O-Rings (See Key No. 73) & 1 ea. of Key Nos. 74 & 75 |
| 74 | ↑ | Turbine Support & Shaft |
| 75 | ↑ | Turbine |
| 76 | 7309811 | Sensor Housing/Wiring Harness Asm. |
| 77 | 7081201 | Retainer (Nozzle & Venturi) |
| 78 | 7171145 | Valve Body |
| 79 | 7170319 | O-ring, 1/4 in. x 3/8 in. (2 req.) |
| 80 | 1202600 | Nut — Ferrule |
| - | 7253808 | Nozzle & Venturi Assembly (includes Key Nos. 81-89) |
| 81 | 7081104 | Housing, Nozzle & Venturi |
| 82 | 7095030 | Cone Screen |
| 83 | 1148800 | Flow Plug, .3 gpm |
| 84 | 7114533 | Nozzle and Venturi — Gasket Kit |
| | 7204362 | Gasket (only) |
| 85 | 7084607 | Flow Plug, .15 gpm |
| 86 | 7146043 | Screen |
| 87 | 7167659 | Screen Support |
| 88 | 7170262 | O-ring, 1-1/8 in. x 1-3/8 in. |
| 89 | 7199729 | Cap |
| 90 | 7175199 | Wave Washer |
| 91 | 7171161 | Valve Cover |
| 92 | 7172997 | Screw, #10 x 2-5/8 in. (8 req.) |
| 93 | 7305150 | Switch |
| 94 | 7140738 | Screw, #4-24 x 3/4 in. (2 req.) |
| 95 | 7214383 | Bypass Valve Assembly, 1 in., including 2 ea. Clips & O-Rings (See Key Nos. 71 & 73) |

Questions? Call Toll Free 1-888-64 WATER (1-888-649-2837) Monday-Friday, 8 AM - 7 PM EST or visit www.systemsaver.com

When you call, please be prepared to provide the model and serial number, located on the rating decal on back of the top cover.