



INSTRUCTIONS

-J02025

REV. 2006-05-12

SOFTAIL® FRONT SPOILER

GENERAL

Kit Number

57040-XX, 57101-XX

Models

These kits are designed to fit all 2001 and later Softail® model motorcycles except those models with chrome voltage regulator louvers installed.

Additional Parts Required

WARNING

The rider's safety depends upon the correct installation of this kit. If the procedure is not within your capabilities or you do not have the correct tools, have a Harley-Davidson dealer perform the installation. Improper installation of this kit could result in death or serious injury. (00308a)

NOTE

This instruction sheet references Service Manual information. A Service Manual for your model motorcycle is required for this installation and is available from a Harley-Davidson Dealer.

Kit Contents

See Figure 4 and Table 1.

INSTALLATION

WARNING

To prevent accidental vehicle start-up, which could cause death or serious injury, disconnect negative (-) battery cable before proceeding. (00048a)

1. Disconnect the negative (-) battery cable from the battery.
2. Disconnect voltage regulator connector. Remove voltage regulator from bracket and retain screws and washers.
3. Remove the original voltage regulator mounting bracket from the engine making note of ground wire mounting location. Retain screws and washers for installation.

NOTE

Ground wire on the voltage regulator must be reattached to the original location when reinstalling the voltage regulator to ensure adequate ground.

4. See Figure 4. While nesting front (2) and rear (3) spoiler brackets together as shown, attach the voltage regulator to the bracket assembly using two socket head screws (8) and washers (7) provided in kit. Tighten screws securely.
5. See Figure 1. Install the bracket assembly (1) (with voltage regulator) to the engine using screws (2) and washers (3)

saved from Step 2. Check tension on regulator wires. If necessary, relieve strain on wires by clipping wire ties that secure wire routed along lower frame and adjust wire forward. Reattach to frame with wire ties provided.

6. See Figure 4. Install U-Bolts (5) (from top) around the lower engine mounting spacers (located on each side between engine and frame tube), through mounting blocks (4), then through rear spoiler bracket. Secure U-bolts to spoiler bracket using hex lock nuts (6) from hardware kit.

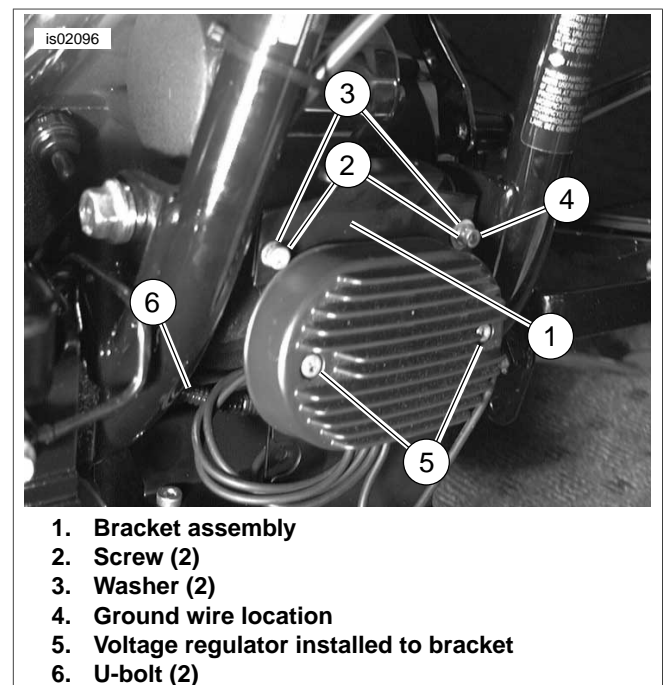
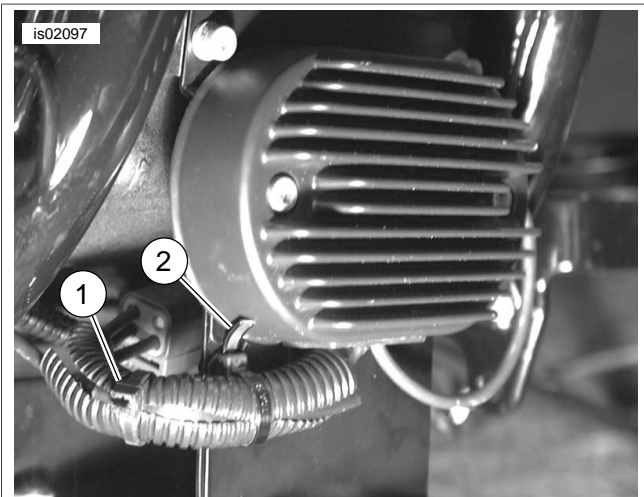


Figure 1. Install Voltage Regulator Bracket

7. Tighten all mounting bracket hardware installed in Steps 5 and 6.
8. See Figure 2. Obtain plastic shield (1) from kit and wrap around wiring. Shield may have to be trimmed to fit properly. Position as shown and secure wiring in front using "Christmas Tree" type wire tie (2) and insert into hole in bracket. Secure remainder of plastic shield using cable strap from kit as necessary.



1. Shield, wire, plastic
2. Christmas tree wire tie

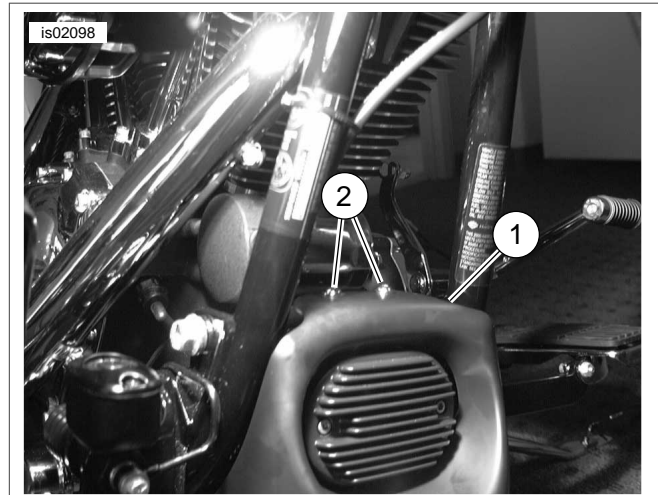
Figure 2. Install Wire Shields and Ties

9. See Figure 3. Attach spoiler (1) to mounting brackets using button head screws (2) and washers. Align spoiler with frame as desired, then tighten all hardware securely.
10. See Figure 4. Secure clutch cable to the frame down tube, away from spoiler, using cable strap from kit. If necessary, use more than one strap to ensure clutch cable does not contact spoiler.

⚠ WARNING

Connect positive (+) battery cable first. If positive (+) cable should contact ground with negative (-) cable connected, the resulting sparks can cause a battery explosion, which could result in death or serious injury. (00068a)

11. Connect the negative (-) battery cable.



1. Spoiler
2. Button head screw (6)

Figure 3. Install Spoiler and Cable Straps

SERVICE PARTS

is02099

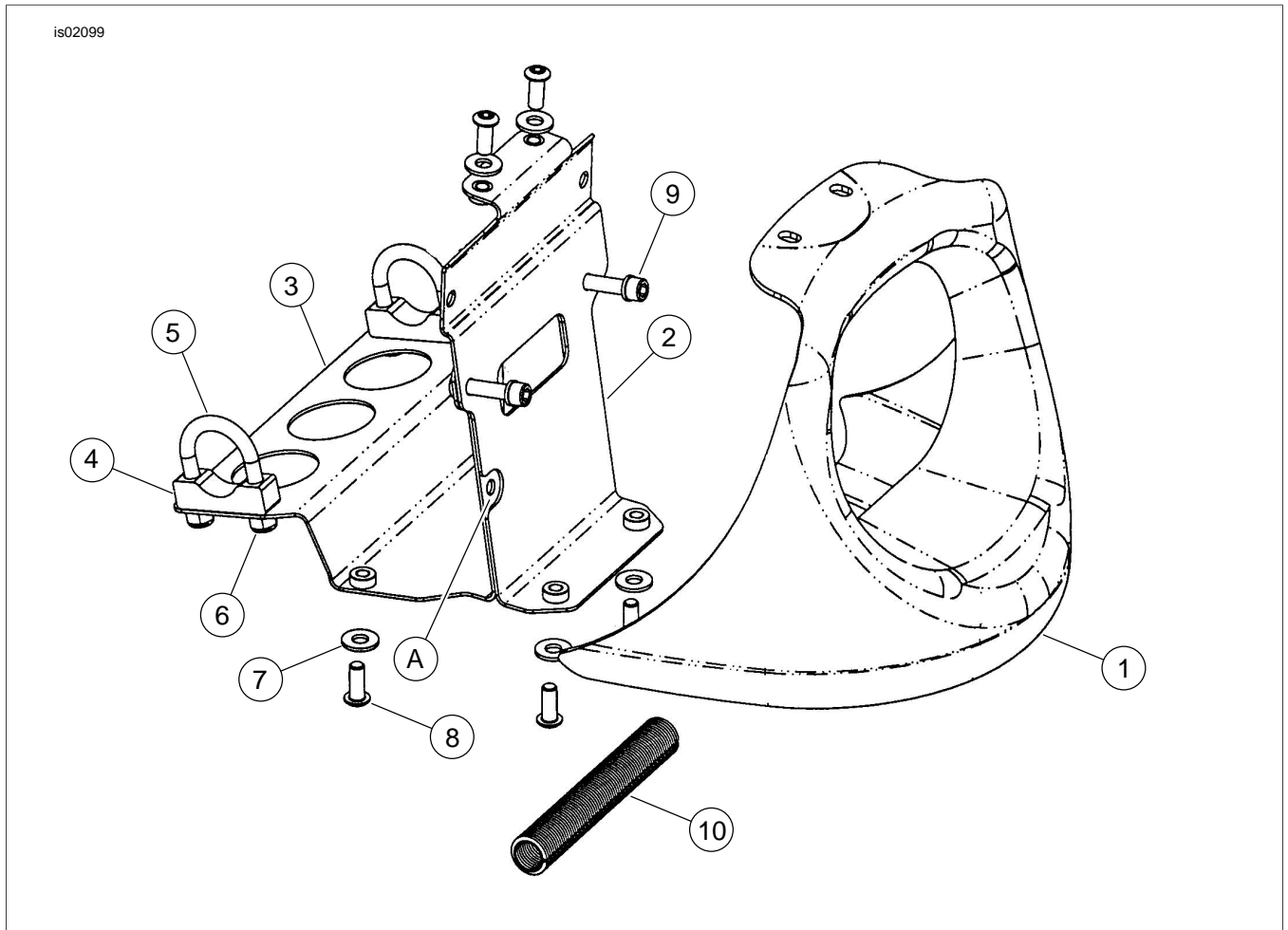


Figure 4. Service Parts: Softail Front Spoiler

Table 1. Service Parts: Softail Front Spoiler

Item	Description (Quantity)	Part Number	Item	Description (Quantity)	Part Number
1	Spoiler (primed)	57042-01A	7	Washers (6)	94065-90T
	Spoiler (chrome)	57101-01	8	Screw, button head (6)	94385-92T
2	Bracket, front	57043-01	9	Screw, hex socket, 1/4-20 (2)	4740A
3	Bracket, rear	Not sold separately	10	Shield, wire	63627-98
4	Blocks, mounting (2)	58445-00	11	Cable strap/tie (4) (not shown)	10006
5	U-bolts (2)	5228	12	Cable strap (not shown)	10177
6	Nuts, hex lock (4)	7686	Item below is mentioned in text but not included in kit:		
Note: Items 2-12 make up hardware kit 57041-01A which is sold separately.			A	Hole for christmas tree wire tie	Reference only