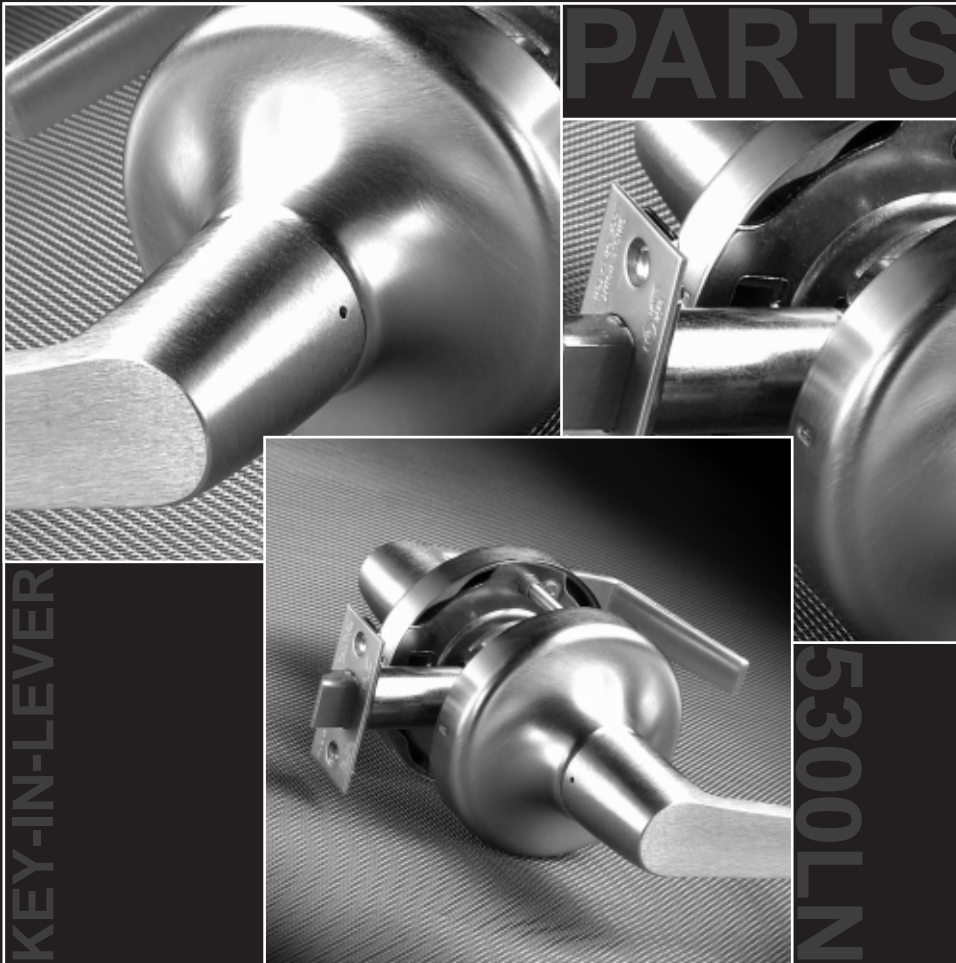


Yale®

GRADE 2 KEY-IN-LEVER CYLINDRICAL LOCKSET

5300LN SERIES

PARTS & SERVICE MANUAL





HOW TO ORDER PARTS

To order parts, use the appropriate part number and specify finish if necessary.

For example, to order 10 lockbodies for ten Entrance Function (5307LN), use the following configuration:

Quantity	Part Number	Description
10	14-5307-0701-048	5307LN Lockbodies

To order 10 sets of Augusta Levers for an Entrance Function in Satin Chrome, use the following specification:

Quantity	Part Number	Description
10	14-5300-6039-025	Outside AU Cylinder Lever in 626

To order 10 plug retainers for the 1802 Key-in-Lever Cylinder, use the following specification:

Quantity	Part Number	Description
10	99-9999-4561-999	1802 Cylinder Plug Retainers

- Please refer to the installation instructions for complete installation.
- For further assistance, contact your authorized YSG Door Security Consultants distributor or contact YSG directly at (800) 438-1951.

FINISHES

Finish	Description	Roses	Levers	Pushbuttons/ Turnbuttons	Cylinder Plugs
605*	Bright Brass, PVD	003	043	043	004
606*	Satin Brass, PVD	004	044	044	004
609	Satin Brass, Blackened, Satin Relieved	609	609	609	004
612	Satin Bronze	010	050	050	004
613	Dark Oxidized Satin Bronze, Oil Rubbed	007	060	060	004
613e*	Dark Oxidized Satin Bronze, PVD	13e	13e	13e	004
616	Satin Bronze, Blackened, Satin Relieved	616	616	616	004
619	Satin Nickel	619	619	619	025
625	Bright Chrome	026	026	026	025
626	Satin Chrome	025	025	025	025
693	Black Powder Coat	200	200	200	025

*PVD finish standard on 605 and 606. Available as an option on 613 (as 613e) for customers desiring a non-wearing finish.

PVD LIFETIME FINISH

Physical Vapor Deposition (PVD) is a technologically advanced finish coating that provides the ultimate surface protection against environmental elements and everyday wear and tear. PVD matches clear coated finishes in appearance, yet surpasses them in durability. Yale warrants all its PVD finishes against corrosion, tarnish, wear, discoloring and peeling for the lifetime of the part to which it has been applied. Ask your sales representative for specific warranty information.

FINISH CARE

5300LN Cylindrical Locks are designed to provide the highest standard of product quality and performance. Care should be taken to ensure a long-lasting finish. When cleaning is required, use a soft damp cloth. Using lacquer thinners, caustic soaps, abrasive cleaners or polishes could damage the coating and result in tarnishing.

MAINTENANCE

Yale 5300LN Cylindrical locks are manufactured to be maintenance free under normal operating conditions and environments. Subjection to extremely heavy traffic and/or particularly dusty and dirty environmental conditions, however, may eventually cause unsatisfactory operation due to slow moving parts or sticking cylinders. In this case, it may be necessary to clean and re-lubricate the lockset to maintain optimum performance. To clean the lockset mechanism, use a penetrating or solvent type lubricant to loosen sticking components, then lubricate with lithium grease. To free sticking or jammed cylinders, lubricate with graphite or a non-oily lubricant (such as Lock-EZE). Do not use petroleum-based lubricants in the cylinder keyway.

TABLE OF CONTENTS

Lockbody Assemblies (by Function)

<u>Function</u>	<u>ANSI</u>	<u>Description</u>	<u>Page</u>
5301LN	F75	Passage or Closet	4
5302LN	F76	Privacy, Bedroom or Bathroom	5
5303LN	F77	Patio	5
5305LN	F86	Storeroom or Closet	6
5307LN	F81/F82	Entrance or Office	7
5308LN	F84	Classroom	8
5321LN	F80	Communicating	9
5322LN	F90	Dormitory	10
5328LN	-	Passage Lever x Blank Plate	11
5329LN	-	Keyed Lever x Blank Plate	12

Lever/Rose Assemblies

Outside Rose Assembly (Standard Cylinder) Used on Functions 5303LN, 5305LN, 5307LN, 5308LN, 5321LN, 5322LN	13
Inside Rose Assembly	14
Lever & Rose Assembly (Removable Core) Used on Functions 5305LN, 5307LN, 5308LN, 5322LN	15

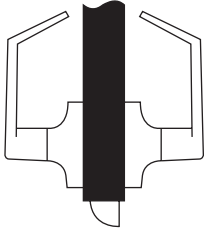
Accessories

Lever Designs	16
Cylinders	16-17
Strikes	18
Latchbolts	19

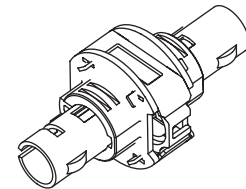
Installation Instructions

Lockset Installation	20-21
Cylinder and Lever Installation	22
Removing Cylinder Handle	22
Adjusting for Door Thickness for 5328LN/5329LN Functions Only	23
Dummy Trim Installation	23
Strike Installation (Wood Frames Only)	23
Troubleshooting	23

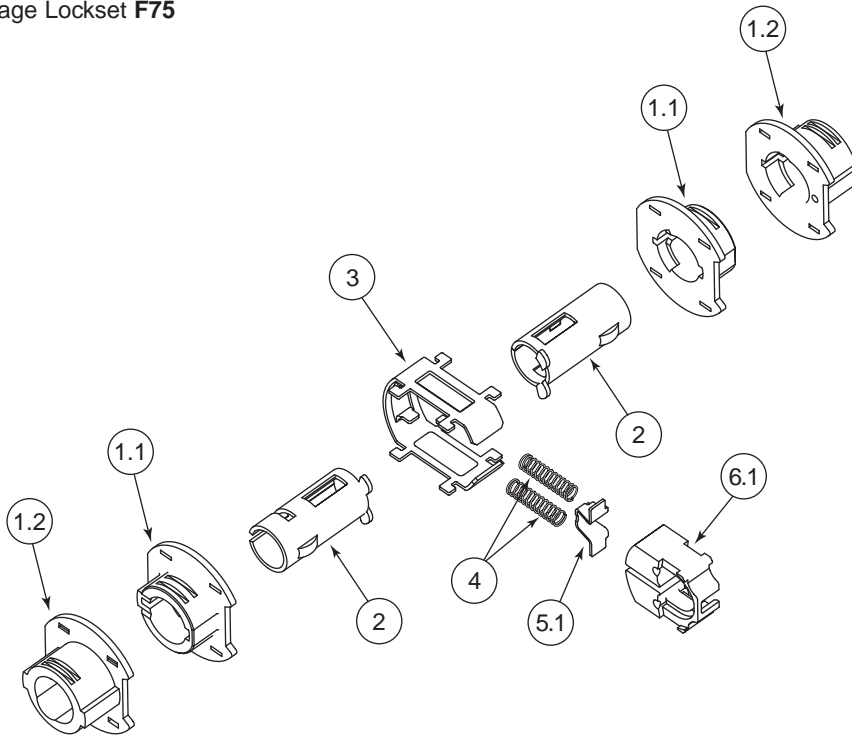
5301LN



Passage Lockset F75

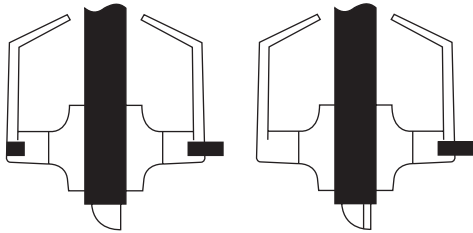


Sold as complete lockbody assembly only.



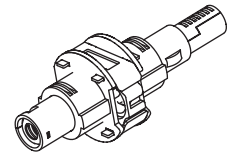
ITEM	DESCRIPTION	QUANTITY	
		Assembly # *14-5301-0701-048 1-3/8" to 1-3/4" DOOR	Assembly # *14-5301-0702-048 2" to 2-1/4" DOOR
1.1	Flange (Standard Door)	2	-
1.2	Flange (Thick Door)	-	2
2	Spindle - Inside	2	2
3	Frame	1	1
4	Spring - Retractor	2	2
5.1	Locator, Retractor Spring	1	1
6.1	Retractor #1	1	1

5302LN/5303LN

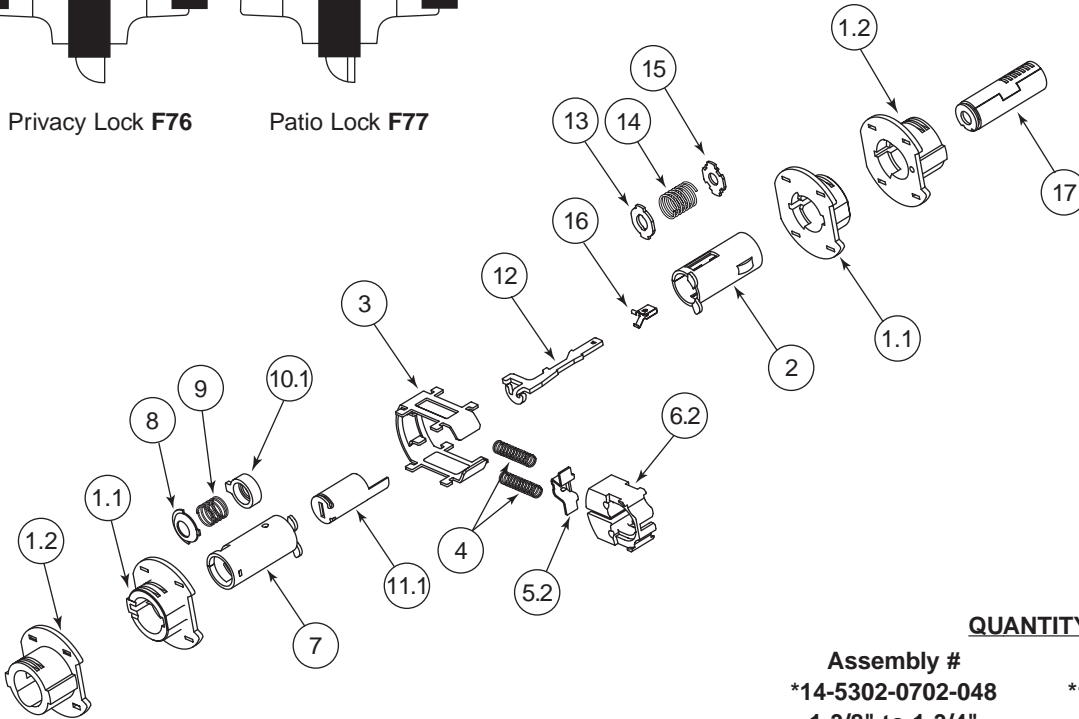


Privacy Lock F76

Patio Lock F77



Sold as complete lock-body assembly only.



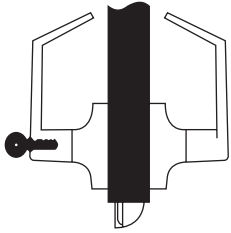
QUANTITY

Assembly #
*14-5302-0702-048
1-3/8" to 1-3/4"
DOOR

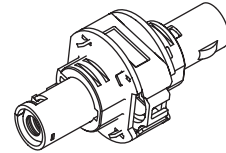
Assembly #
*14-5302-0703-048
2" to 2-1/4"
DOOR

ITEM	DESCRIPTION	QUANTITY	DOOR
1.1	Flange (Standard Door)	2	-
1.2	Flange (Thick Door)	-	2
2	Spindle - Inside	1	1
3	Frame	1	1
4	Spring - Retractor	2	2
5.2	Catch	1	1
6.2	Retractor #2	1	1
7	Spindle, Outside	1	1
8	Seat, Spring	1	1
9	Spring, Pawl	1	1
10.1	Pawl	1	1
11.1	Tube, Release	1	1
12	Stem Assembly	1	1
13	Bank, Spring	1	1
14	Spring, Stem	1	1
15	Washer, Connecting	1	1
16	Speed Clip	1	1
17	Adjusting Tube	1	1

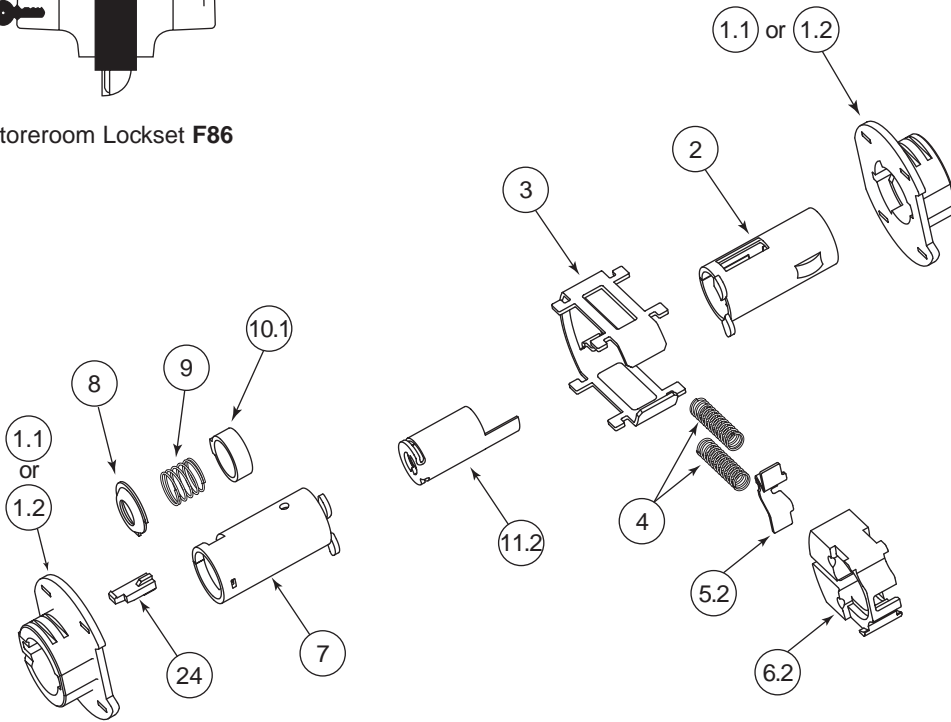
5305LN



Storeroom Lockset **F86**

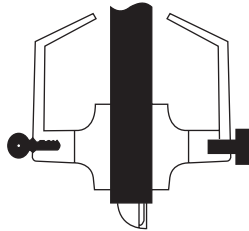


Sold as complete lockbody assembly only.

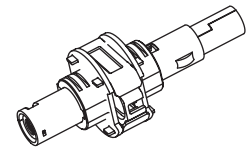


ITEM	DESCRIPTION	QUANTITY	
		Assembly # *14-5305-0079-048 1-3/8" to 1-3/4" DOOR	Assembly # *14-5305-0080-048 2" to 2-1/4" DOOR
1.1	Flange (Standard Door)	2	-
1.2	Flange (Thick Door)	-	2
2	Spindle - Inside	1	1
3	Frame	1	1
4	Spring - Retractor	2	2
5.2	Catch	1	1
6.2	Retractor #2	1	1
7	Spindle, Outside	1	1
8	Seat, Spring	1	1
9	Spring, Pawl	1	1
10.1	Pawl, Modified	1	1
11.2	Tube, Release	1	1

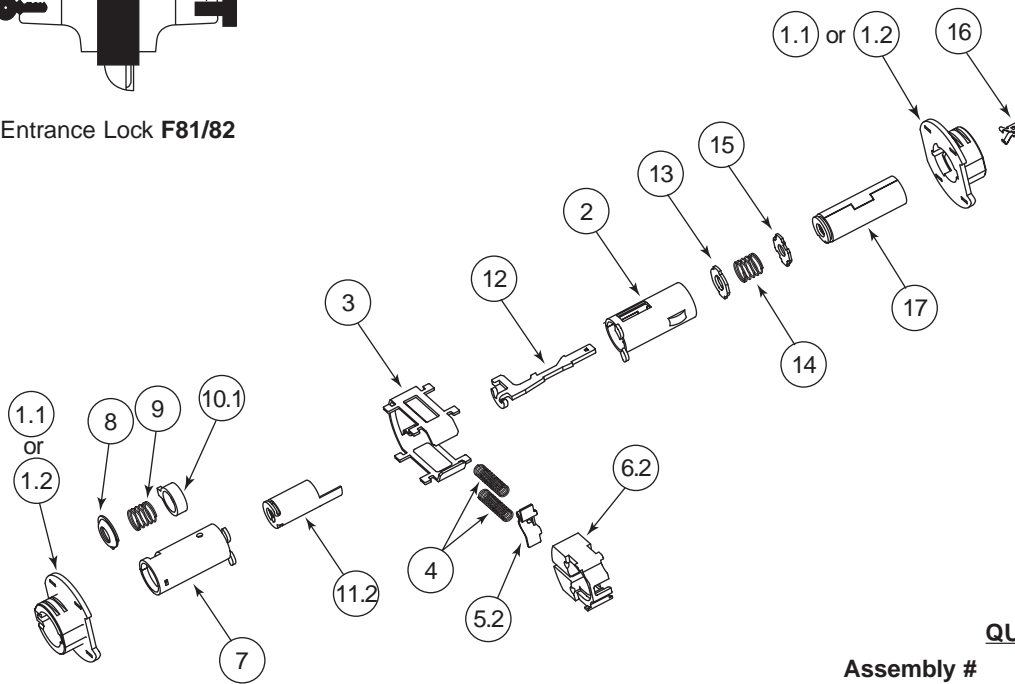
5307LN



Entrance Lock F81/82



Sold as complete lockbody assembly only.

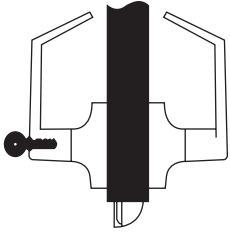


QUANTITY

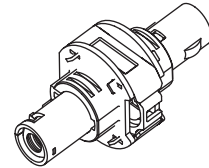
Assembly #	Assembly #
*14-5307-0701-048	*14-5307-0702-048
1-3/8" to 1-3/4"	2" to 2-1/4"
DOOR	DOOR

ITEM	DESCRIPTION	DOOR	DOOR
1.1	Flange (Standard Door)	2	-
1.2	Flange (Thick Door)	-	2
2	Spindle - Inside	1	1
3	Frame	1	1
4	Spring - Retractor	2	2
5.2	Catch	1	1
6.2	Retractor #2	1	1
7	Spindle, Outside	1	1
8	Seat, Spring	1	1
9	Spring, Pawl	1	1
10.1	Pawl	1	1
11.2	Tube, Release	1	1
12	Stem Assembly	1	1
13	Bank, Spring	1	1
14	Spring, Stem	1	1
15	Washer, Connecting	1	1
16	Speed Clip	1	1
17	Adjusting Tube	1	1

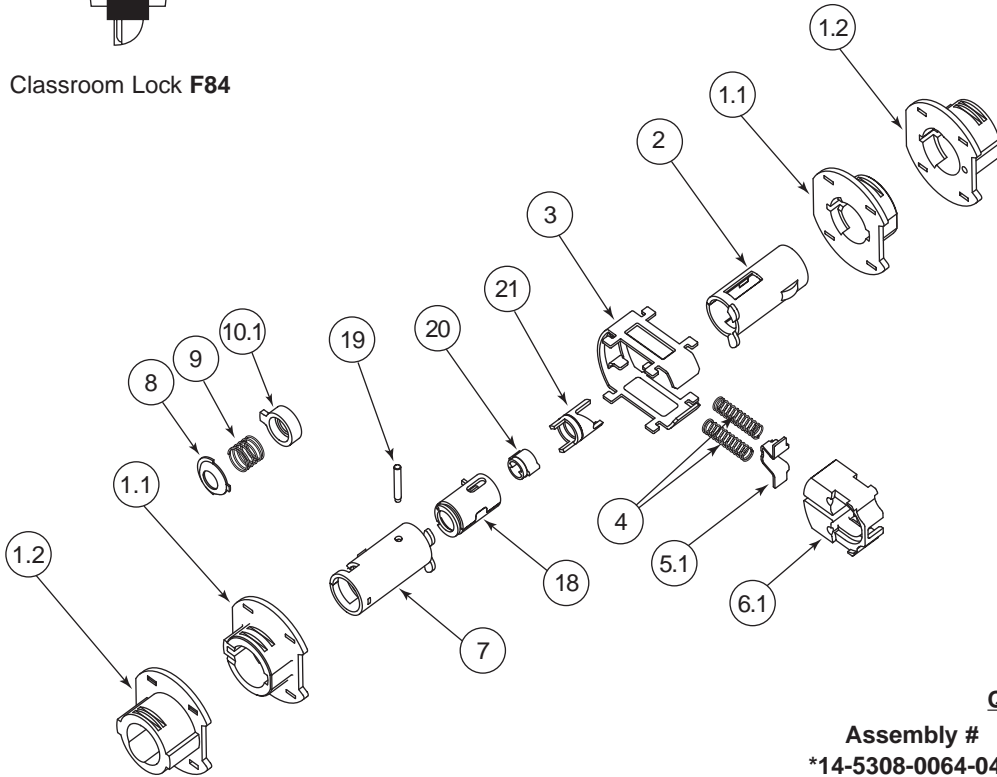
5308LN



Classroom Lock F84

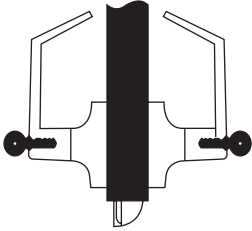


Sold as complete lockbody assembly only.

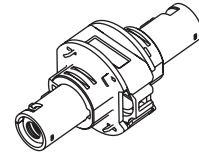


ITEM	DESCRIPTION	QUANTITY	
		Assembly # *14-5308-0064-048 1-3/8" to 1-3/4" DOOR	Assembly # *14-5308-0065-048 2" to 2-1/4" DOOR
1.1	Flange (Standard Door)	2	-
1.2	Flange (For 2" to 2-1/4" Door)	-	2
2	Spindle - Inside	1	1
3	Frame	1	1
4	Spring - Retractor	2	2
5.1	Locator, Retractor Spring	1	1
6.1	Retractor #1	1	1
7	Spindle, Outside	1	1
8	Seat, Spring	1	1
9	Spring, Pawl	1	1
10.1	Pawl	1	1
18	Release Tube	1	1
19	Stop Pin	1	1
20	Cam Tube Driver	1	1
21	Cam Tube	1	1

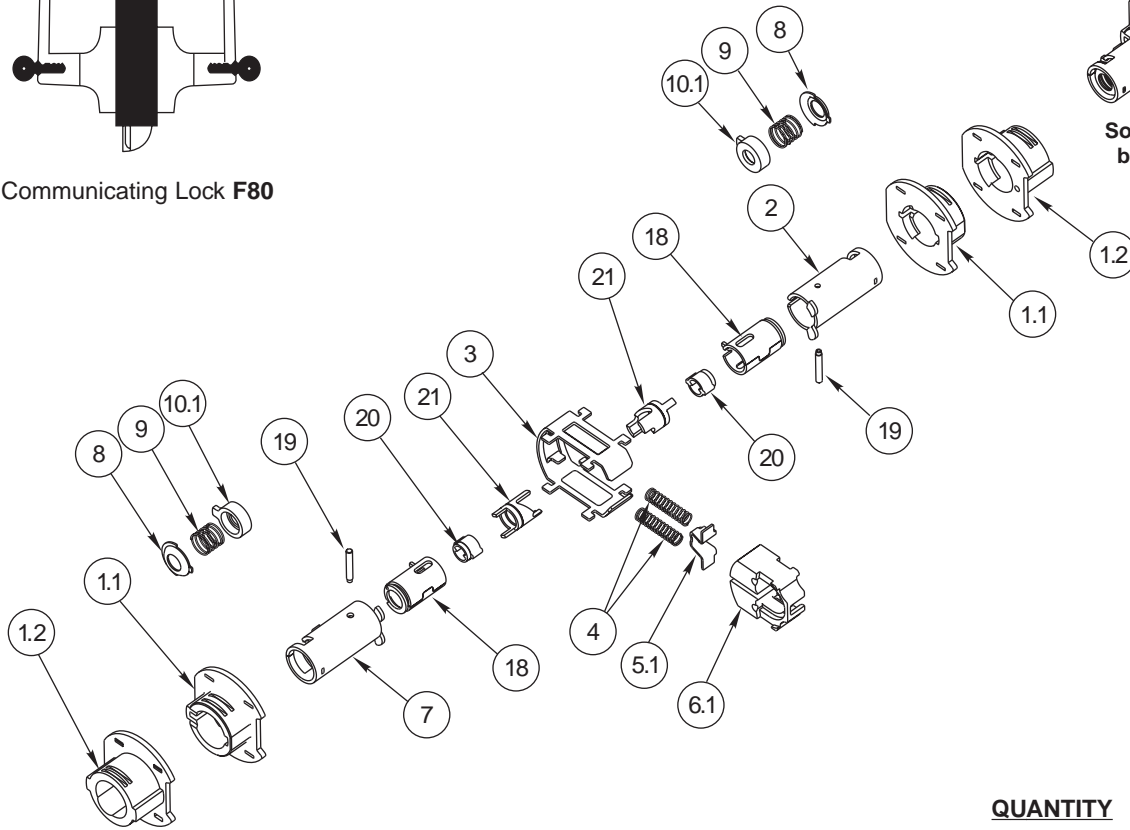
5321LN



Communicating Lock **F80**

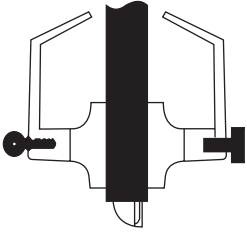


Sold as complete lock-body assembly only.

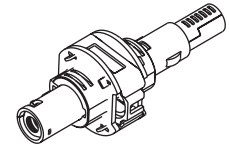
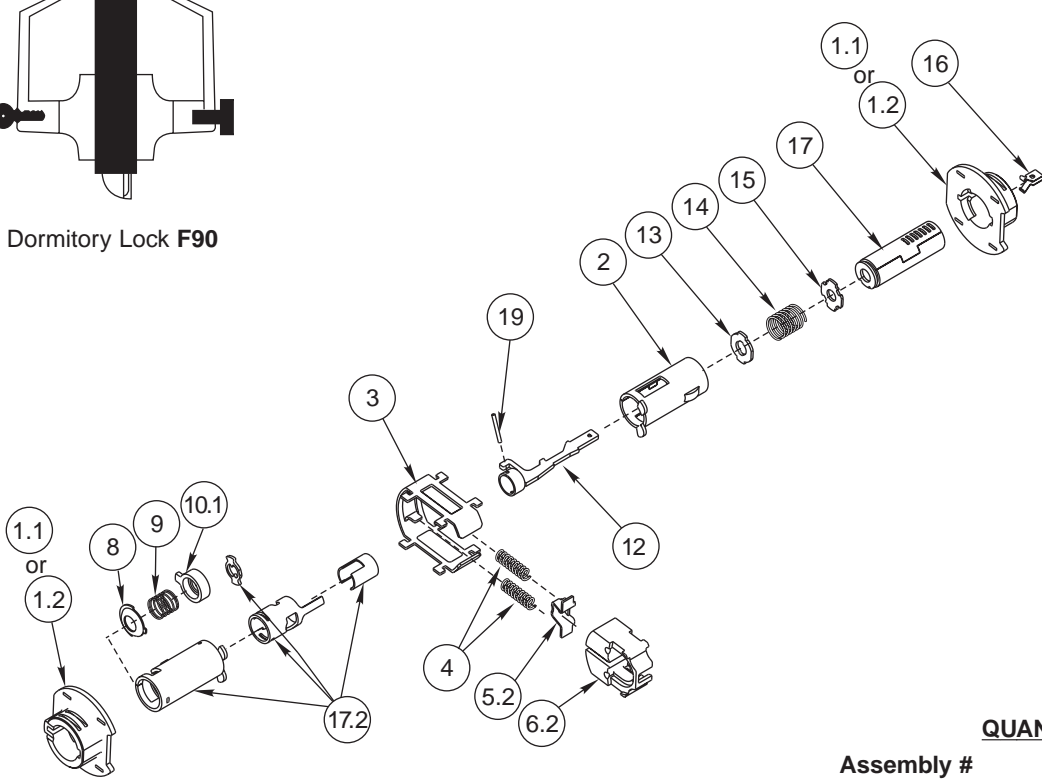


ITEM	DESCRIPTION	QUANTITY	
		Assembly # *14-5321-0001-048 1-3/8" to 1-3/4" DOOR	Assembly # *14-5321-0002-048 2" to 2-1/4" DOOR
1.1	Flange (Standard Door)	2	-
1.2	Flange (Thick Door)	-	2
2	Spindle - Inside	1	1
3	Frame	1	1
4	Spring - Retractor	2	2
5.1	Locator, Retractor Spring	1	1
6.1	Retractor #1	1	1
7	Spindle, Outside	1	1
8	Seat, Spring	2	2
9	Spring, Pawl	2	2
10.1	Pawl	2	2
18	Release Tube	2	2
19	Stop Pin	2	2
20	Cam Tube Driver	2	2
21	Cam Tube	2	2

5322LN



Dormitory Lock **F90**



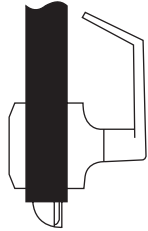
Sold as complete lock-body assembly only.

QUANTITY

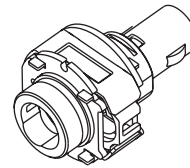
Assembly #	Assembly #
*14-5322-0901-048	*14-5322-0902-048
1-3/8" to 1-3/4"	2" to 2-1/4"
DOOR	DOOR

ITEM	DESCRIPTION	DOOR	DOOR
1.1	Flange (Standard Door)	2	-
1.2	Flange (Thick Door)	-	2
2	Spindle - Inside	1	1
3	Frame	1	1
4	Spring - Retractor	2	2
5.2	Catch	1	1
6.2	Retractor #2	1	1
8	Seat, Spring	1	1
9	Spring, Pawl	1	1
10.1	Pawl	1	1
12	Stem Assembly	1	1
13	Bank, Spring	1	1
14	Spring, Stem	1	1
15	Washer, Connecting	1	1
16	Speed Clip	1	1
17	Adjusting Tube	1	1
17.2	Spindle Assembly, Outside	1	1
19	Stop Pin	1	1

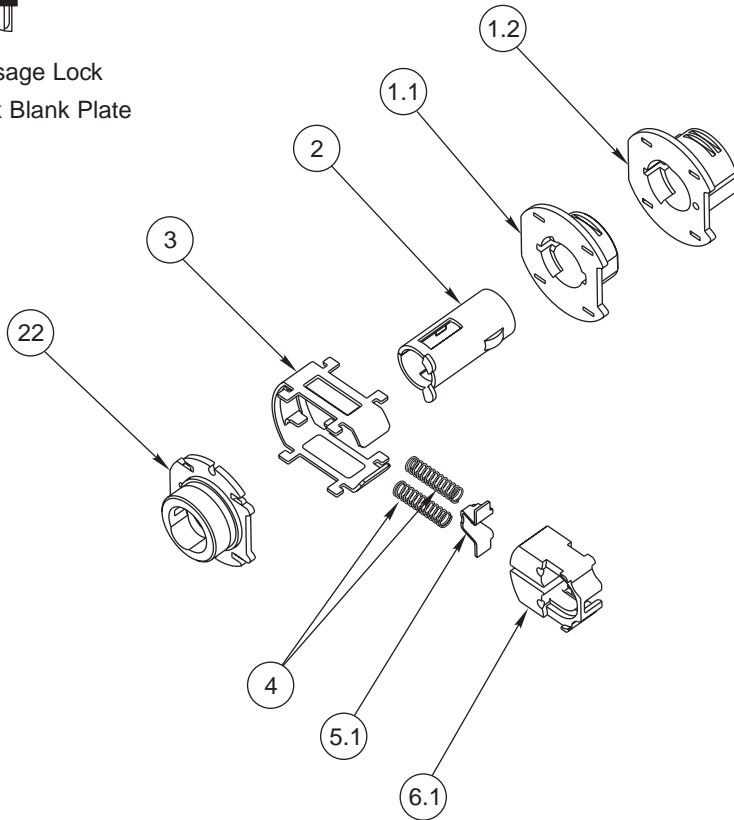
5328LN



Passage Lock
Lever x Blank Plate

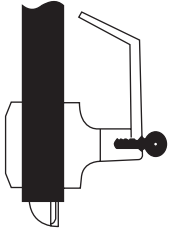


Sold as complete lockbody
assembly only.

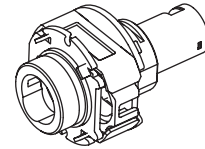


ITEM	DESCRIPTION	QUANTITY	
		Assembly # *14-5328-0001-048 1-3/8" to 1-3/4" DOOR	Assembly # *14-5328-0002-048 2" to 2-1/4" DOOR
1.1	Flange (Standard Door)	1	-
1.2	Flange (Thick Door)	-	1
2	Spindle - Inside	1	1
3	Frame	1	1
4	Spring - Retractor	2	2
5.1	Locator, Retractor Spring	1	1
6.1	Retractor #1	1	1
22	Flange Assembly, Outside	1	1

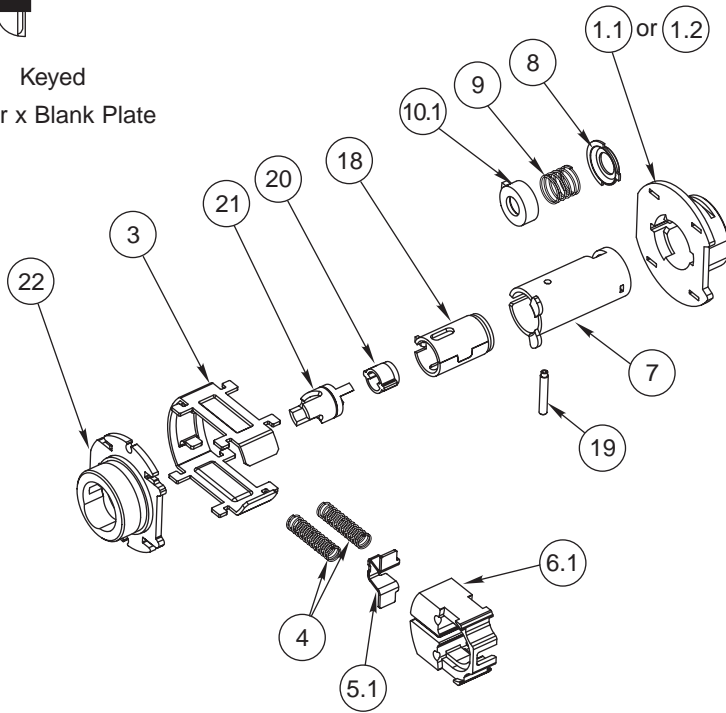
5329LN



Keyed
Lever x Blank Plate

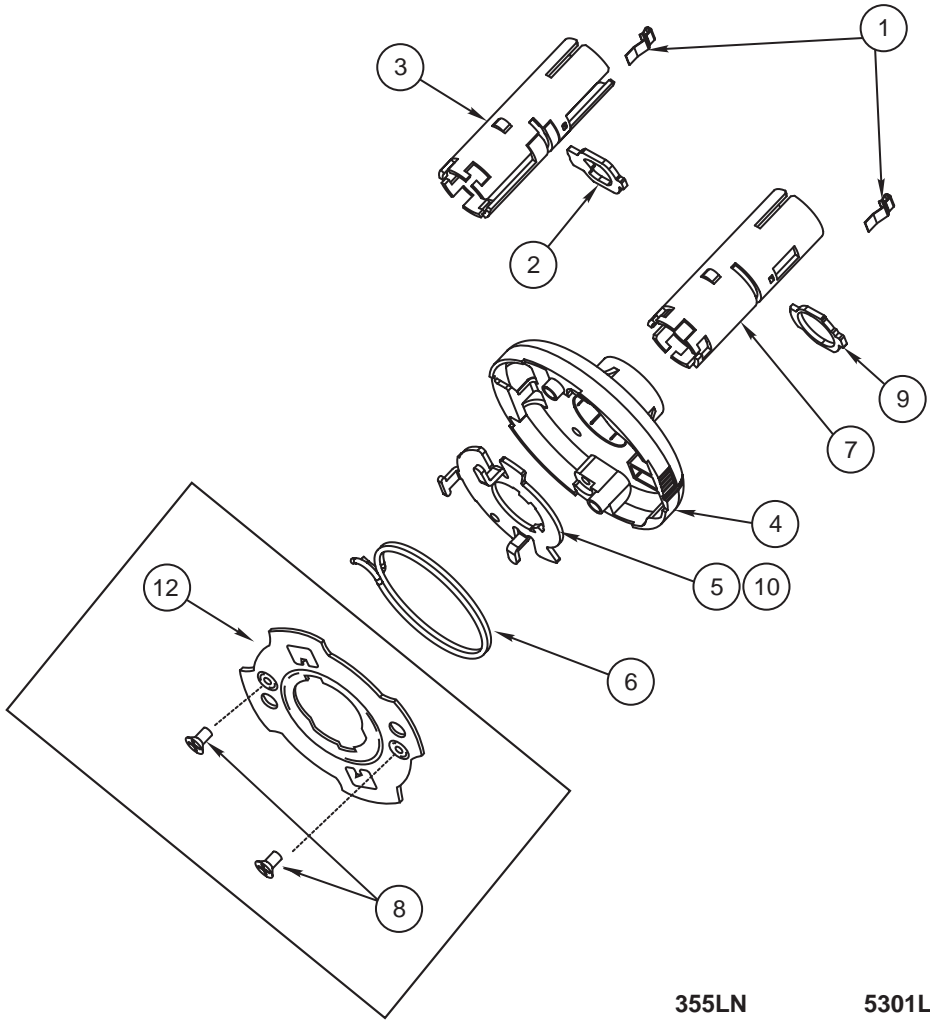


Sold as complete lockbody
assembly only.



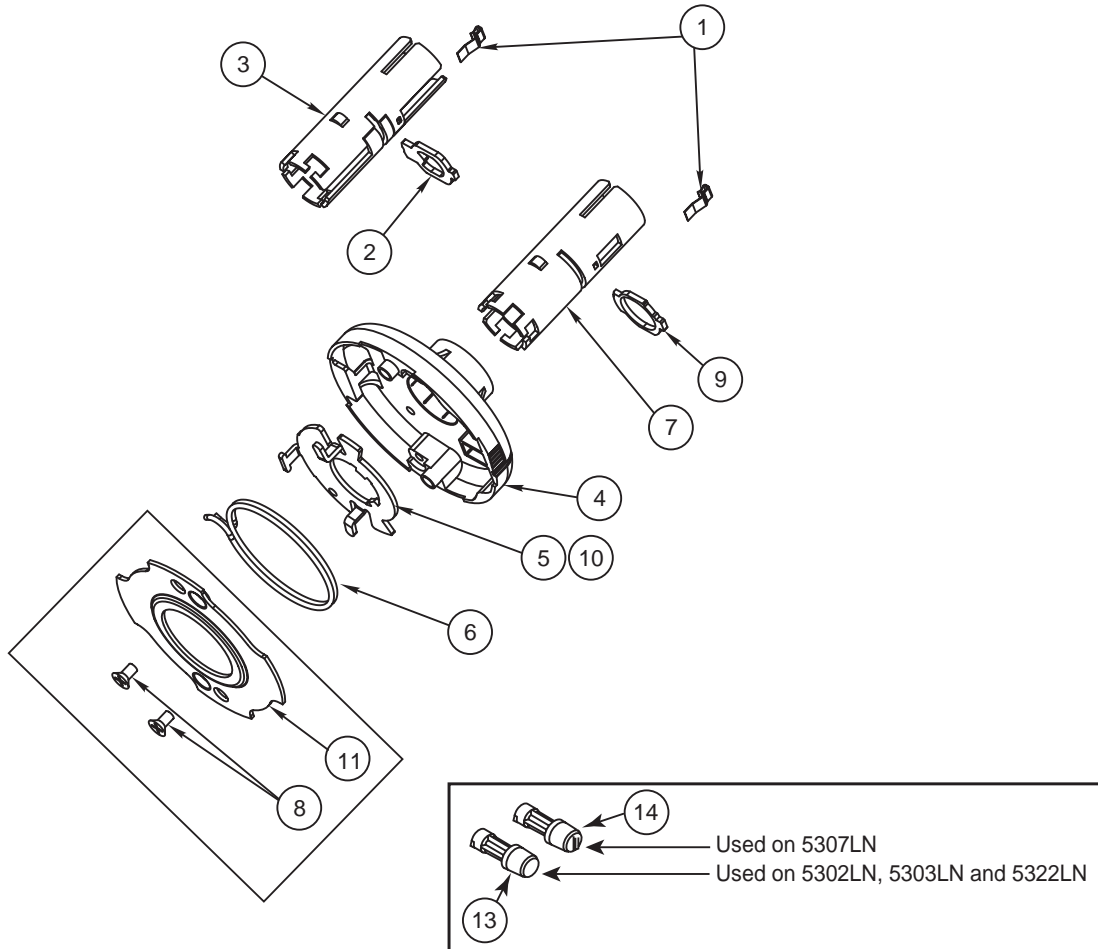
ITEM	DESCRIPTION	QUANTITY	
		Assembly # *14-5329-0001-048 1-3/8" to 1-3/4" DOOR	Assembly # *14-5329-0002-048 2" to 2-1/4" DOOR
1.1	Flange (Standard Door)	1	-
1.2	Flange (Thick Door)	-	1
3	Frame	1	1
4	Spring - Retractor	2	2
5.1	Locator, Retractor Spring	1	1
6.1	Retractor #1	1	1
7	Spindle, Outside	1	1
8	Seat, Spring	1	1
9	Spring, Pawl	1	1
10.1	Pawl	1	1
18	Release Tube	1	1
19	Stop Pin	1	1
20	Cam Tube Driver	1	1
21	Cam Tube	1	1
22	Flange Assembly, Outside	1	1

OUTSIDE ROSE ASSEMBLY



ITEM	PART NO.	DESCRIPTION	355LN	5301LN	5303LN, 5321LN
			Assembly#	Assembly#	Assembly#
			14-0355-0003	14-5301-0706	14-5303-0001
			QUANTITY	QUANTITY	QUANTITY
1	14-5303-1058	Retainer Spring	1	1	1
2	14-5303-1065	Outside Retainer Plate			1
3		Outside Shank			1
4		Rose Support	1	1	1
5		Outside Stop Plate			1
6	14-5300-1021	Torsion Spring		1	1
7		Inside Shank	1	1	
8	81-3812-0407	Screw, #8-32, UNC-2B x 11/32 PFHMS	3	2	2
9	14-5303-1165	Inside Retainer Plate	1	1	
10		Inside Stop Plate	1	1	
12		Outside Rose Plate	1	1	1

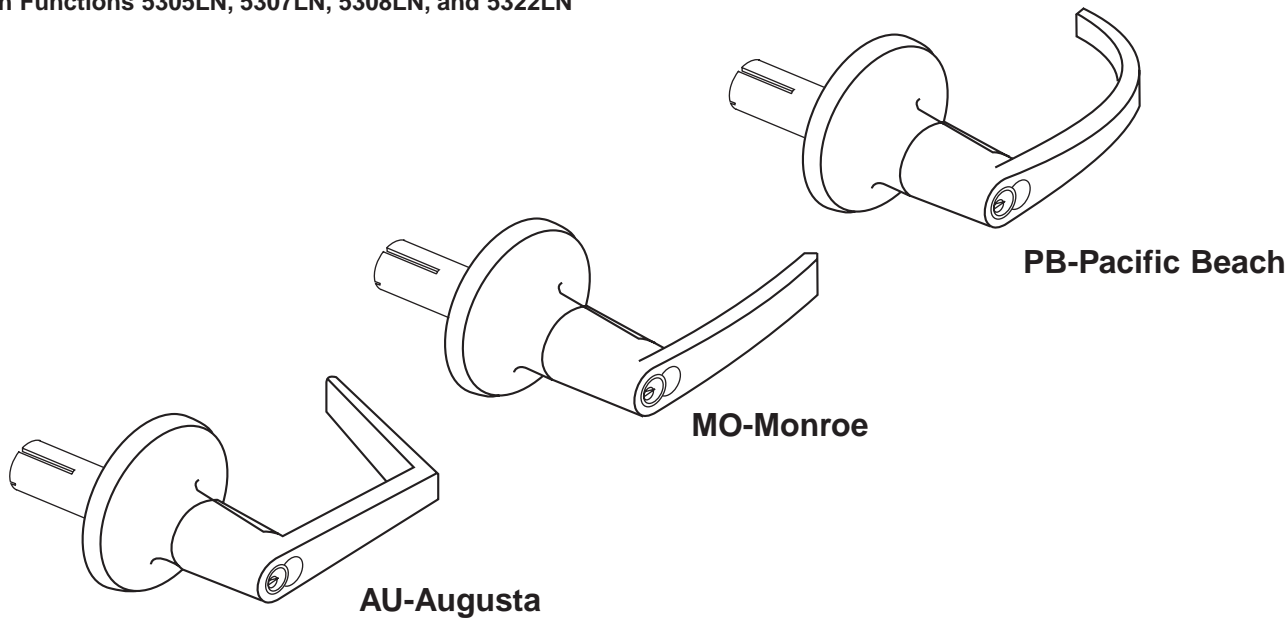
INSIDE ROSE ASSEMBLY



ITEM	PART NO.	DESCRIPTION	5321LN, 5329LN	All other functions
			Assembly# 14-5321-0003	Assembly# 14-5301-0705
			QUANTITY	QUANTITY
1	14-5303-1058	Retainer Spring	1	1
2	14-5303-1065	Outside Retainer Plate	1	
3		Outside Shank	1	
4		Rose Support	1	1
5		Outside Stop Plate	1	
6	14-5300-1021	Torsion Spring	1	1
7		Inside Shank	1	
8	81-3812-0407	Screw, #8-32, UNC-2B x 11/32 PFHMS	2	2
9	14-5303-1165	Inside Retainer Plate		1
10		Inside Stop Plate		1
11	14-5301-1911	Inside Rose Plate	1	1
13	14-5402-0901-FIN	Pushbutton Assembly (Specify Finish, See Page 2)		
14	14-5407-0901-FIN	Turnbutton Assembly (Specify Finish, See Page 2)		

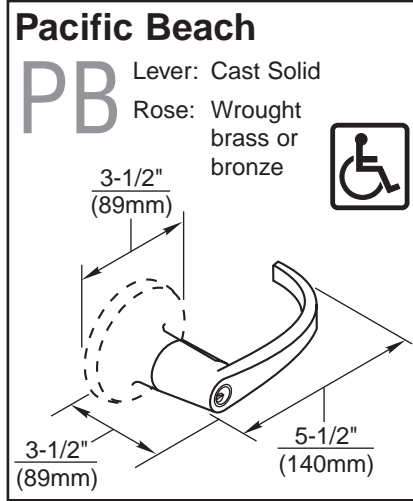
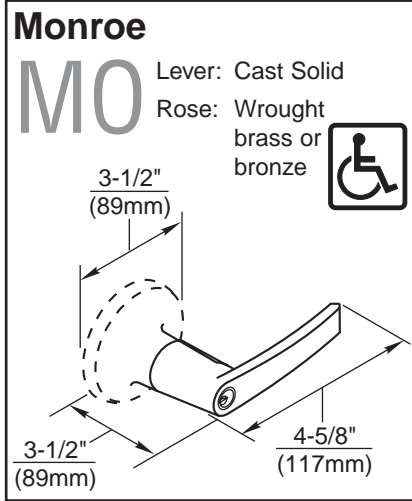
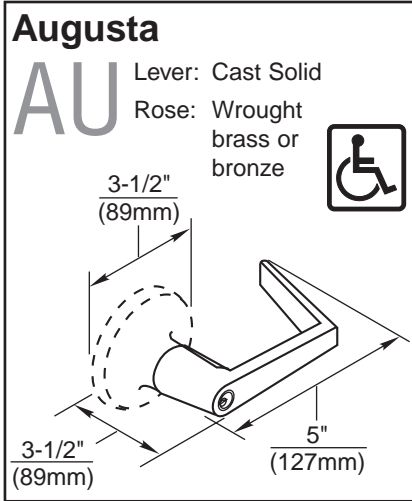
LEVER & ROSE ASSEMBLY (REMOVABLE CORE)

Used on Functions 5305LN, 5307LN, 5308LN, and 5322LN



Rose/Handle Assy Part Number	Outside Handle	Core Style	Door Thickness
14-5305-0006-FIN	AU	Yale® RC	1-3/4
14-5305-0010-FIN	PB	Yale® RC	1-3/4
14-5305-0014-FIN	MO	Yale® RC	1-3/4
14-5305-0018-FIN	AU	Yale® RC	2-1/4
14-5305-0022-FIN	PB	Yale® RC	2-1/4
14-5305-0026-FIN	MO	Yale® RC	2-1/4
14-5305-0007-FIN	AU	Corbin RC	1-3/4
14-5305-0011-FIN	PB	Corbin RC	1-3/4
14-5305-0015-FIN	MO	Corbin RC	1-3/4
14-5305-0019-FIN	AU	Corbin RC	2-1/4
14-5305-0023-FIN	PB	Corbin RC	2-1/4
14-5305-0027-FIN	MO	Corbin RC	2-1/4
14-5305-0008-FIN	AU	Best® RC	1-3/4
14-5305-0012-FIN	PB	Best® RC	1-3/4
14-5305-0016-FIN	MO	Best® RC	1-3/4
14-5305-0020-FIN	AU	Best® RC	2-1/4
14-5305-0024-FIN	PB	Best® RC	2-1/4
14-5305-0028-FIN	MO	Best® RC	2-1/4
14-5305-0009-FIN	AU	Schlage® RC	1-3/4
14-5305-0013-FIN	PB	Schlage® RC	1-3/4
14-5305-0021-FIN	AU	Schlage® RC	2-1/4
14-5305-0025-FIN	PB	Schlage® RC	2-1/4
14-5305-0129-FIN	AU	Medeco®/ASSA®	1-3/4
14-5305-0130-FIN	AU	Medeco®/ASSA®	2-1/4

LEVER DESIGNS



Part Number (Lever Only)

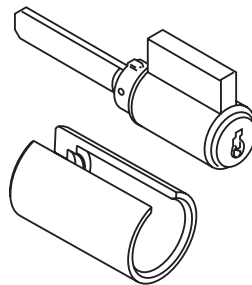
	AU	MO	PB
Cylinder/Button	14-5300-6039-FIN*	14-5305-6056-FIN*	14-5305-6054-FIN*
Emergency Key Hole	14-5302-6058-FIN*	14-5302-6585-FIN*	14-5302-6062-FIN*
Plain	14-5301-6040-FIN*	14-5301-6902-FIN*	14-5301-6054-FIN*
Plain (Patio Function)	14-5303-6060-FIN*	14-5303-6067-FIN*	14-5303-6066-FIN*

*See chart on Page 2 for 3-digit designation for finish required.

CYLINDERS & REMOVABLE CORES

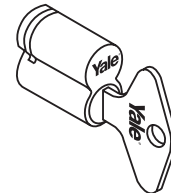
Cylinders and removable cores are constructed of brass and come with two brass or nickel-silver keys.

Standard Cylinder



** 9078 Cylinder Sleeve

Removable Core



Application	List No.*	List No.*
Conventional 6-Pin 1-3/8" - 1-3/4" door	1802	1210
Conventional 6-Pin 2" - 2-1/4" door	1802L	1210
High Security 6-Pin 1-3/8" - 1-3/4" door	5802	5210
High Security 6-Pin 2" - 2-1/4" door	5802L	5210

*Specify keyway and finish, see Page 2.

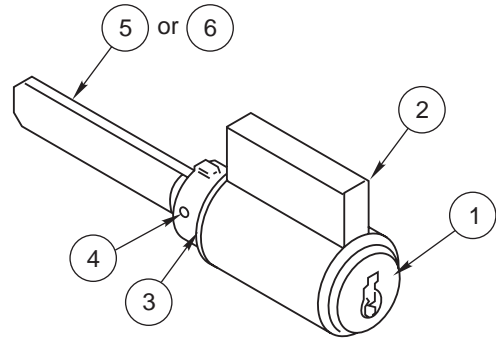
**The 1802 cylinder requires an adapter sleeve to fit in the 5300LN lockset.

CYLINDERS

Yale® Standard Cylinder (1802) (1802L)

ITEM	PART NO.	TYPE
1	96-0000-2154-x FIN* x Keyway	Plug (6-Pin)
2	14-1801-2021-000	Shell (6-Pin)
3	99-9999-4561-999	Plug Retainer
4	99-9999-3919-999	Roll Pin
5	14-5407-1039-049 (1802)	Connecting Bar
6	14-5305-1060-048 (1802L)	Connecting Bar

*See Page 2 for finish.



Compatibility* with Competitive Standard Cylinders

Competitive Cylinder	List No.	Part No.
Schlage® Conventional & Primus (1-3/4" door)	108S	14-5305-0090-048
Schlage® Conventional & Primus (2-1/4" door)	108SL	14-5305-0091-048

*Adapter Kits that modify Schlage cylinder to fit 5300LN (cylinder not included).

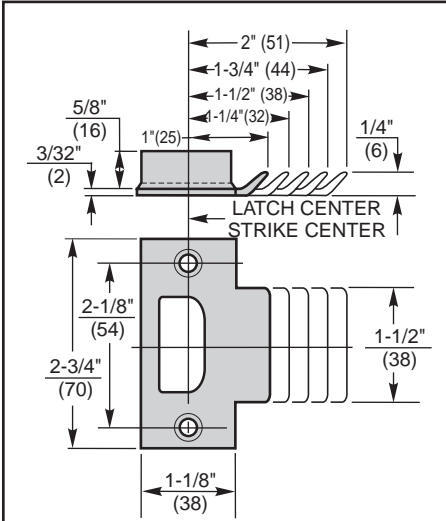
For Yale® brand IC core cylinders, refer to Page 16.

Cylinders with Competitive Keyways*

Competitive Cylinder	List No.	Part No.	Finish
Schlage® C Keyway (0-bitted)	2802	14-5305-0088-004	606
		14-5305-0088-025	626
Schlage® C Keyway (keyed random)	2802	14-5305-0108-0004	606
		14-5305-0108-025	626
Sargent® LA Keyway (0-bitted only)	3802	14-5305-0089-004	606
		14-5305-0089-025	626
Sargent® LA Keyway (keyed random)	3802	14-5305-0109-004	606
		14-5305-0109-025	626

*Includes cylinder.

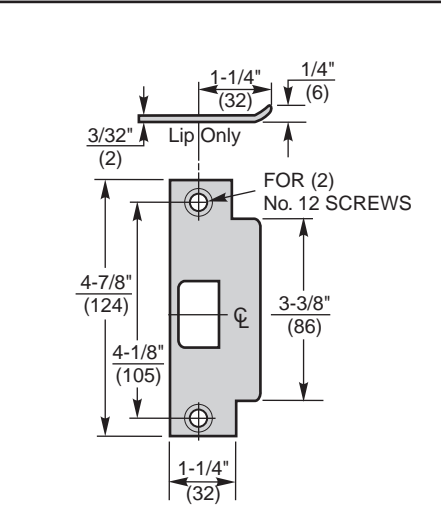
STRIKES



T-Strike List No. 371

This strike will accommodate frames for 1-3/8" (35mm) to 1-3/4" (44mm) thick doors. Strikes with other lip dimensions shown are available to special order. Supplied with Wrought Strike Box Part.

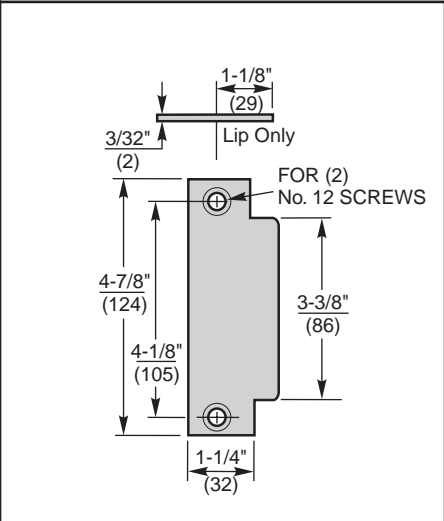
Attaching Screws:
Order Screw Pack 81-2012-416 by finish.



Standard ANSI Curved Lip Strike List No. 497

For door and frames with ANSI A115.2 preparations.

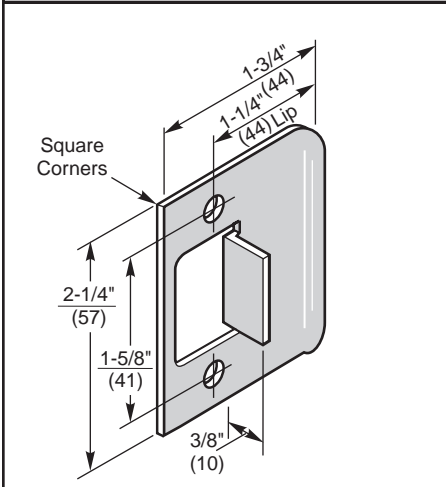
Attaching Screws:
Order Screw Pack 81-2012-0620 by finish.



ASA Blank List No. 497B

Available to special order. Installed in frame with standard ANSI A115.2 preparation to replace the strike when the lockset has been removed from the door.

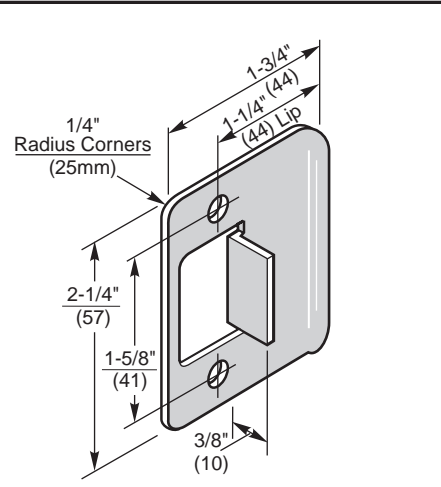
Attaching Screws:
Order Screw Pack 81-2012-0620 by finish.



Full Lip Strike List No. 70S

With full lip anti-rattle tab.

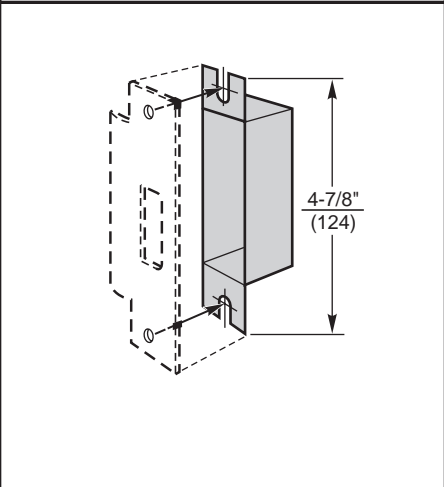
Attaching Screws:
Order Screw Pack 81-2012-416 by finish.



Full Lip Strike 1/4 Radius Corners List No. 71S

Similar in dimensions and function to the 70S Strike but with radius corners for easy mortising by power tools. Anti-rattle tab.

Attaching Screws:
Order Screw Pack 81-2012-416 by finish.



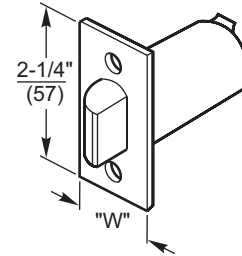
ANSI Wrought Box Strike List No. 202

Available to special order. Specify 497 x 202.

LATCHBOLTS

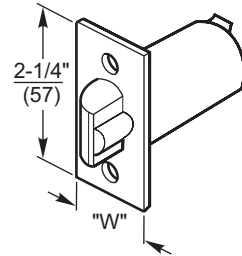
Plain Latchbolts

List No.	Front	"W" Front Width	Backset	Latch Diameter
378N	Universal	1" (25mm)	2-3/8" (60mm)	7/8" (22mm)
380BN (Std.)	Universal	1-1/8" (29mm)	2-3/4" (70mm)	1" (25mm)*
3380BN	Universal	1-1/8" (29mm)	3-3/4" (95mm)	1" (25mm)*



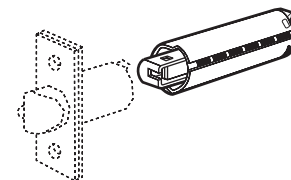
Deadlocking Latchbolts

List No.	Front	"W" Front Width	Backset	Latch Diameter
380N	Universal	1" (25mm)	2-3/8" (60mm)	7/8" (22mm)
380AN (Std.)	Universal	1-1/8" (29mm)	2-3/4" (70mm)	1" (25mm)*
3380AN	Universal	1-1/8" (29mm)	3-3/4" (95mm)	1" (25mm)*



Backset Extension Links

Backset Desired	Latchbolt	Order Extension List Number	Backset	Latch Diameter
5"	378N/380N	381N	2-3/8" (60mm)	7/8" (22mm)**
5"	380AN/380BN	381AN	2-3/4" (70mm)	1" (25mm)*



*2-3/4" & 3-3/4" backset latches have a 7/8" diameter with a 1/8" sleeve to accommodate 1" door preps. All latches have universal fronts, so they fit flat and beveled door fronts. When ordering latchbolts, specify part Number x Finish (e.g., 380AN x 626). Available in 606, 612, 613, and 626.

**Add sleeve (P/N 14-0378-9001-999) if door is already prepped for 1" diameter hole.

INSTALLATION INSTRUCTIONS



Cylindrical Lockset 5300LN Series

Attention Installer

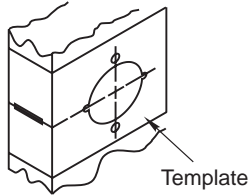
Installation of 5300LN cylindrical locks and latches must be through-bolted in all doors.
If installation instructions are not followed this may result in damage to the lock and void the factory warranty.

Tools Required	
• 2-1/8" (54mm) hole saw	• Chisel & hammer
• 1" (25.4mm) boring bit	• #2 phillips screwdriver
• 5/16" (8mm) drill bit	• Handle removal tool (supplied)
• 7/64" (2.5mm) drill bit	• 3/8" or 1/2" drill

IMPORTANT: The accuracy of the door preparation is critical for the proper functioning and security of this lever handle lock. Misalignment can cause premature wear and tear and a lessening of security.

1. Mark door.

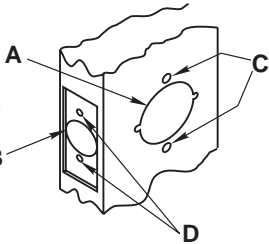
Mark horizontal line across edge of door. 40-5/16" (1024mm) is the usual height above the floor. Fold template over edge of door, centering on horizontal line. Mark centers of holes at proper backset.



*Be sure to verify backset before marking & drilling door.

2. Drill door.

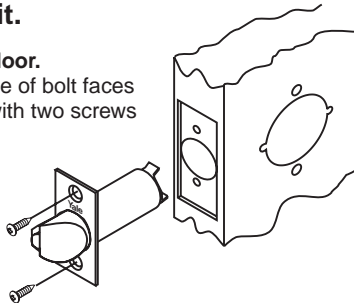
- A. Drill 2-1/8" (54mm) dia. hole thru door.** Cut notches as shown on template. See note. (Except Dummy Trim)
- B. Drill 1" (25mm) hole in edge of door.** Mortise for latch front 1-1/8" (29mm) wide x 2-1/4" (57mm) high x 5/32" (4mm) deep. (Except Dummy Trim)
- C. Drill two (2) 5/16" (8mm) dia. holes through door.** See note.
- D. Drill pilot holes for latch screws. 7/64" (2.5mm) dia.** (Except Dummy Trim)



NOTE: To avoid splintering wood doors, drill holes (A) and (C) from both sides of the door.

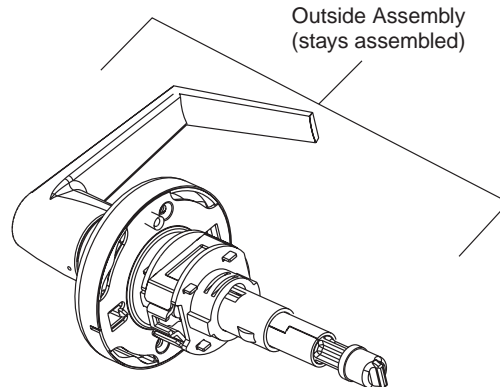
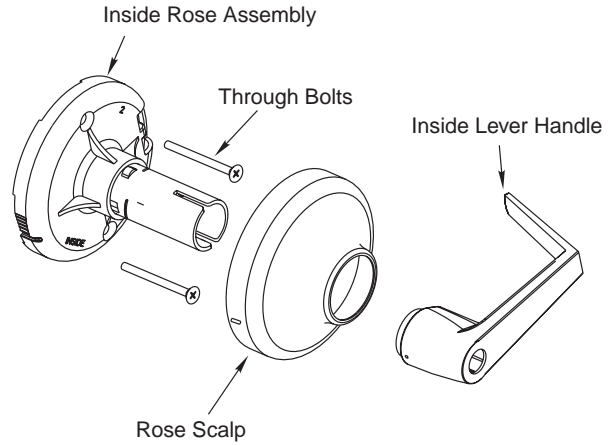
3. Install latch unit.

Insert latch unit in door. (Be sure beveled edge of bolt faces strike plate.) Attach with two screws supplied.



4. Unpack lock.

A. Remove the lock components from the box.

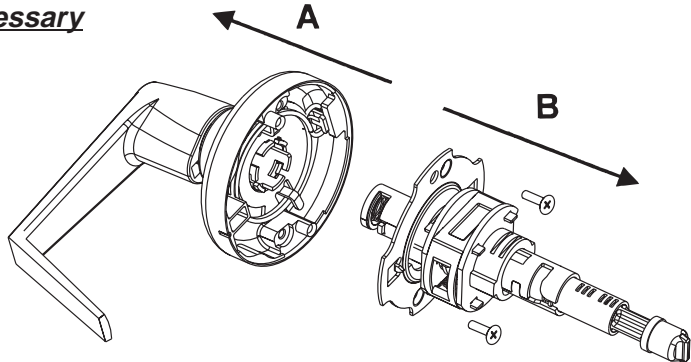


INSTALLATION INSTRUCTIONS

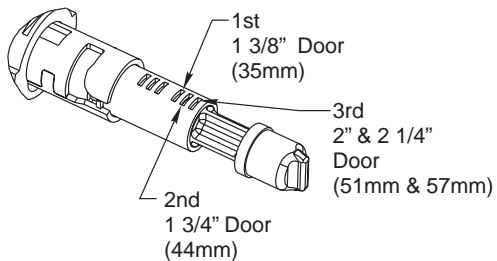
5. Adjust lock for door thickness. *If necessary*

(Lock is packed preadjusted for 1-3/4" (44mm) doors.)

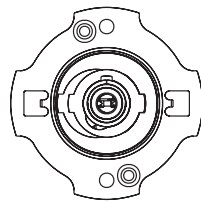
- A. Remove lever and rose assembly (as one unit) from lock body by removing two (2) screws.
- B. Disengage rose plate from lock body and reinstall per illustration below.
- C. Assemble lever and rose assembly to the lock body and secure with screws.
- D. Adjust button as required (5302, 5303, 5307, and 5322 locks only). Depress retainer and adjust as shown below.



Retainer Position



Position for thick doors
STD lock : 1-3/4" door
OPT lock : 2-1/4" door



Slide plate to disengage

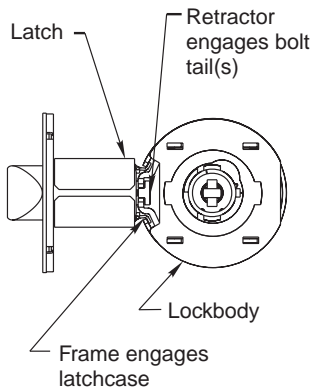
Position for thin doors
STD lock : 1-3/8" door
OPT lock : 2" door

Outside Rose Plate Adjustment

6. Install lock.

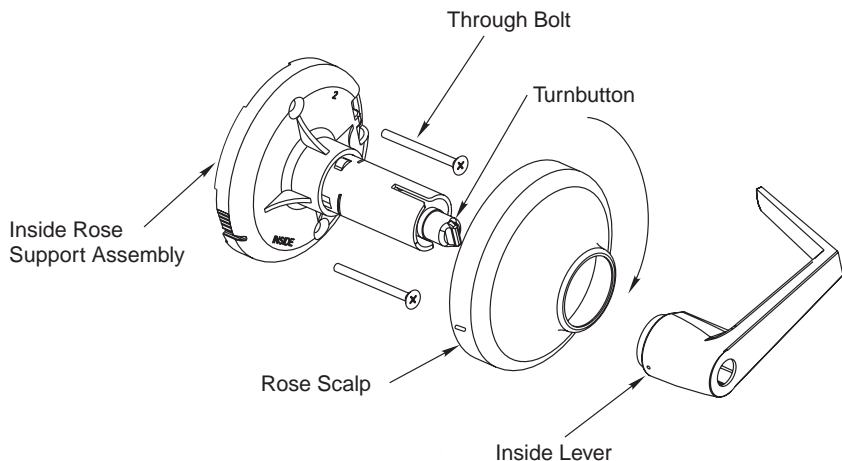
Insert lock body into door from outside making sure that lock body frame hooks latch case and retractor engages bolt tail(s).

DO NOT FORCE. (If lock body does not engage latch easily, check door preparation for errors.)



7. Install inside components

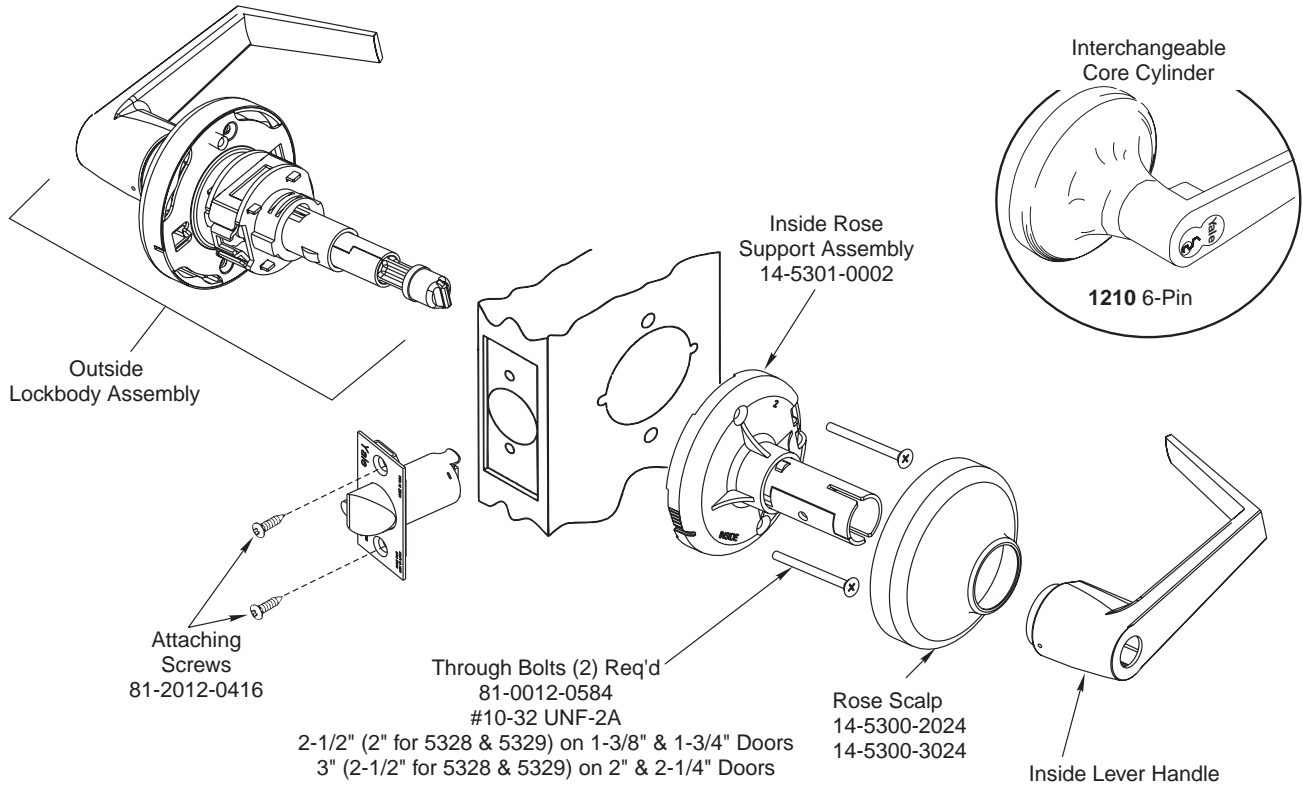
- A. Slide inside rose support assembly onto lock body and tighten through bolts.
- B. Place rose scalp on rose support assembly, aligning the dimple with the notch. Rotate the rose scalp clockwise to lock. Note: Repeat on outside rose if necessary.
- C. Install lever **handle**. For double cylinder functions, install the inside cylinder and lever as shown on the next page.



INSTALLATION INSTRUCTIONS

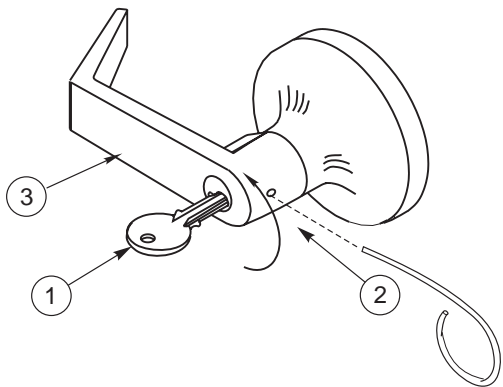
5300 GRADE 2 KEY-IN-LEVER CYLINDRICAL LOCKSET

Finish Care
This lockset is designed to provide the highest standard of product quality and performance. Care should be taken to ensure a long-lasting finish. When cleaning is required use a soft, damp cloth. Using lacquer thinners, caustic soaps, abrasive cleaners or polishes could damage the coating and result in tarnishing.



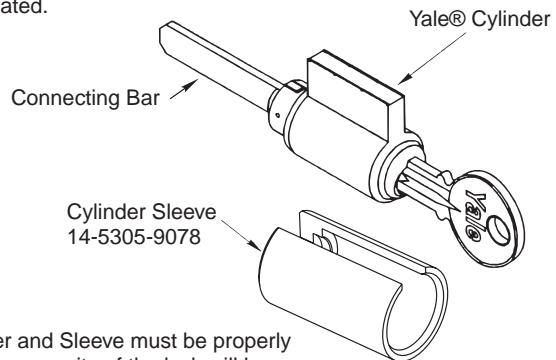
To Remove Cylinder Handle

1. Insert key and rotate counterclockwise 45°.
2. Depress retainer with tool provided.
3. Slide lever off lock. (Also applies to inside lever of 5321LN lock function.)



To Replace or Install Cylinder

1. Remove the sleeve from inside the shank or from the old cylinder.
2. Slide cylinder into sleeve.
3. Rotate key 45° counterclockwise. Depress retainer plate, push the handle onto the shank until fully seated. Pull on handle to ensure properly seated.

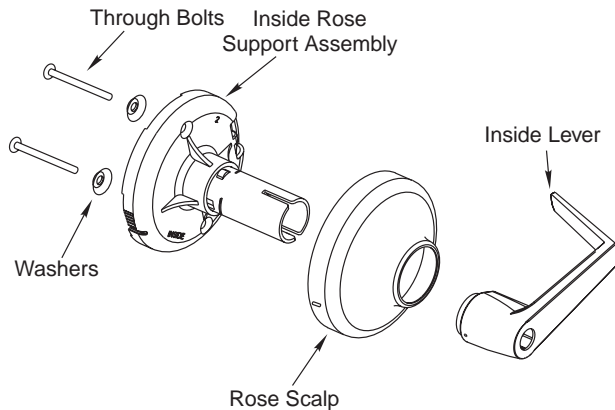


(Note: Cylinder and Sleeve must be properly installed or the security of the lock will be compromised.)

INSTALLATION INSTRUCTIONS

Dummy Trim Installation

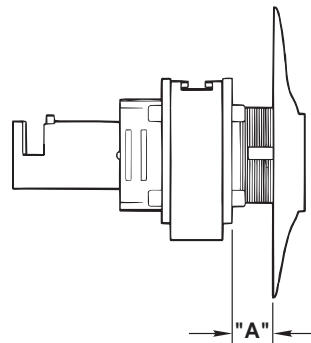
Secure the Rose Support assembly to the door using screws and washers provided and install the rose scalp and inside lever.



5428LN & 5329LN Functions Only

Adjust for Door Thickness

Turn Blank Rose until "A" dimension is achieved for door thickness. (See table). Studs should be aligned with through-bolt holes in door.



	Door Thickness	"A"
Std. Lock	1-3/8"	1/4"
	1-3/4"	7/16"
Optional	2"	9/16"
	2-1/4"	11/16"

8. Strike Installation (Wood Frames Only)

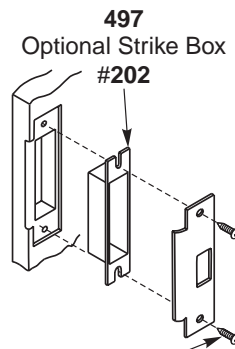
- Close door and mark a horizontal line from the center of the template to the frame of the door.
- Measure half the thickness of the door; mark this same distance with a vertical line starting from the stop side of the frame and where both lines cross make a 1" (26mm) diameter hole and 1/2" (13mm) in depth.
- Align the holes of the strike with the vertical line, trace the outline of the strike and mortise to 1/16" (1.6mm) depth. Attach the strike with two screws (provided).



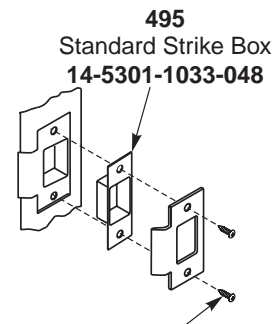
TEST THE OPERATION OF THE LOCKSET

Cycle the lock in both the locked and unlocked positions. If lock functions smoothly when door is open, but binds when closed, check door and frame alignment. If problems are found see troubleshooting below.

STRIKES



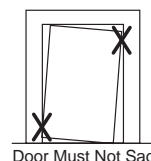
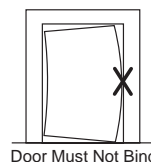
Attaching Screws
81-2012-0620-FINISH
#12-12-24x1"



Attaching Screws
81-2012-0416-FINISH
#8-8-32x3/4"

Troubleshooting

- Check door.
- Check hinges. They should not be loose or have excessive wear on knuckles.
- Latchbolt will not deadlock.
Either strike is out of line or gap between door and jamb is too great. Realign strike or shim strike out towards flat area of latchbolt.
- Latchbolt does not retract or extend properly.
Latchbolt tail and retractor not properly positioned.
 - Remove lockset. Look through 2-1/8" hole and verify latchbolt tail centered between top and bottom of hole.
 - Remove latchbolt and insert lockset, look through latch hole and verify retractor mouth centered in hole. Adjust outside rose plate if not (See #5 on Page 21).
 - Rebore holes if necessary to line up retractor and tail.




online literature and templates

For the latest information on Yale Commercial Lock and Hardware products, visit our website at www.yalelocks.com.

Click on the "Literature" button to find:

- Catalogs
- Parts manuals
- Templates
- Specifications
- Installation instructions

Yale® customers can click on the ebusiness symbol  on the website to register for an ebusiness account to:

- Check the status of orders
- Check availability of Warehouse and Quick-Ship items
- Track your order and confirm delivery
- Receive email notification of template changes

And More...

www.yalelocks.com



Yale Commercial Locks and Hardware

Address: 1902 Airport Road, Monroe, NC 28110 USA

Tel: 1-800-438-1951 • Fax: 1-800-338-0965 • www.yalelocks.com

Yale-Corbin Canada Ltd.

Address: 6940 Edwards Boulevard, Mississauga, Ontario, Canada L5T 2W2

Tel: 1-800-461-3007 • Fax: 1-800-461-8989 • www.yalecorbin.on.ca

ASSA ABLOY NA International

www.aanai.com

Yale® and Yale Security Inc.® are registered trademarks of Yale Security Inc. Other product brand names may be trademarks or registered trademarks of their respective owners and are mentioned for reference purposes only. Copyright© 1997, 2003 Yale Security Inc. All rights reserved. These materials are protected under US copyright laws. All contents current at time of publication. Yale Security Inc. reserves the right to change availability of any item in this bulletin, its design, construction, and/or its materials.

The ASSA ABLOY Group is the world's leading manufacturer and supplier of locking solutions, dedicated to satisfying end-user needs for security, safety and convenience.