

# FURUNO

## FA-30

AIS RECEIVER



**FURUNO ELECTRIC CO., LTD.**

[www.furuno.co.jp](http://www.furuno.co.jp)

OPERATOR'S MANUAL

**ECF**

(Elemental Chlorine Free)

The paper used in this manual  
is elemental chlorine free.

© **FURUNO ELECTRIC CO., LTD.**

9-52 Ashihara-cho,  
Nishinomiya, 662-8580, JAPAN

Telephone : +81-(0) 798-65-2111

Fax : +81-(0) 798-65-4200

• FURUNO Authorized Distributor/Dealer

All rights reserved. Printed in Japan

Pub. No. OME-44430-C

(TATA) FA-30

A : MAY 2007

C : SEP. 21, 2007



\* 0 0 0 1 6 4 9 7 0 1 2 \*

# IMPORTANT NOTICES



---




- The descriptions in this manual are intended for readers with a solid knowledge of English.
- No part of this manual may be copied or reproduced without written permission.
- If this manual is lost or worn, contact your dealer about replacement.
- The contents of this manual and equipment specifications are subject to change without notice.
- The example screens (or illustrations) shown in this manual may not match the screens you see on your display. The screen you see depends on your system configuration and equipment settings.
- Store this manual in a convenient place for future reference.
- FURUNO will assume no responsibility for the damage caused by improper use or modification of the equipment (including software) by an unauthorized agent or a third party.
- When it is time to discard this product it must be done according to local regulations for disposal of industrial waste. For disposal in the USA, refer to the Electronics Industries Alliance (<http://www.eiae.org/>).









# SAFETY INSTRUCTIONS




The operator and installer must read the applicable safety instructions before attempting to install or operate the equipment.

|  |   |
|--|---|
|  <b>WARNING</b> | Indicates a potentially hazardous situation which, if not avoided, could result in death or serious injury. |
|  <b>CAUTION</b> | Indicates a potentially hazardous situation which, if not avoided, can result in minor or moderate injury.  |

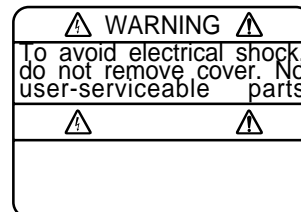
|  |  |  |
|--|--|--|
|  Warning, Caution |  Prohibitive Action |  Mandatory Action |
|--|--|--|

## ***Safety instructions for the operator***

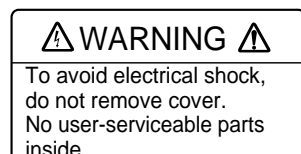
|  |  |
|--|--|
|  <b>WARNING</b> |  |
|                | <b>Do not open the equipment.</b><br>Only qualified personnel should work inside the equipment.  |
|               | <b>Do not disassemble or modify the equipment.</b><br>Fire, electrical shock or serious injury can result.   |
|               | <b>Immediately turn off the power at the power source if</b> <ul style="list-style-type: none"> <li>• water leaks into the equipment</li> <li>• something is dropped into the equipment</li> <li>• the equipment is emitting smoke or is on fire</li> <li>• the equipment is emitting strange noises</li> </ul> Continued use of the equipment can cause fire or electrical shock. Contact a FURUNO dealer or agent for service. |
|               | <b>Do not operate the equipment with wet hands.</b><br>Electrical shock can result.  |
|               | <b>Use the proper fuse.</b><br>Use of the wrong fuse can cause fire or electrical shock.   |

|   |   |
|---|---|
|  <b>WARNING</b> |   |
|                 | <b>Do not place liquid-filled containers on the top of the equipment.</b><br>Fire or electrical shock can result if a liquid spills into the equipment. |
|                | <b>Make sure no rain or water splash leaks into the equipment.</b><br>Fire or electrical shock can result if water leaks into the equipment.            |

**Warning labels are attached to the equipment. Do not remove these labels. If a label is missing or illegible, contact a FURUNO agent or dealer about replacement.**



Name: Warning Label (1)  
Type: 86-003-1011-1  
Code No.: 100-236-231



Name: Warning Label (2)  
Type: 86-129-1001-1  
Code No.: 100-236-741

***Safety instructions for the installer***

**⚠ WARNING**

**!** Turn off the power at the switchboard before beginning the installation.

Fire or electrical shock can result if the power is left on.

**⊘** Do not install the equipment where it may get wet from rain or water splash.

Water in the equipment can result in fire, electrical shock or damage to the equipment.

**!** Be sure that the power supply is compatible with the voltage rating of the equipment.

Connecting an incompatible power supply can cause fire or damage the equipment. The voltage rating appears on the inlet of power.

**⚠ CAUTION**

**!** Observe the following compass safe distances to prevent interference to a magnetic compass:

|       | Standard compass | Steering compass |
|-------|------------------|------------------|
| FA-30 | 0.30 m           | 0.30 m           |

# TABLE OF CONTENTS

---

- FOREWORD ..... v**
- SYSTEM CONFIGURATION..... vi**
- 1. INSTALLATION ..... 1**
  - 1.1 Equipment Lists ..... 1
  - 1.2 AIS Receiver FA-30 ..... 2
  - 1.3 Whip Antenna ..... 3
  - 1.4 Wiring ..... 4
- 2. WEB SOFTWARE SETUP, DATA DISPLAYS ..... 6**
  - 2.1 AIS Receiver FA-30 ..... 6
  - 2.2 COM Port Setup, Network Setup..... 7
  - 2.3 Own Vessel Data Display, Channel Selection ..... 10
  - 2.4 Sensor Status ..... 12
- 3. MAINTENANCE, TROUBLESHOOTING..... 13**
  - 3.1 Maintenance ..... 13
  - 3.2 Replacing the Fuse..... 14
  - 3.3 Troubleshooting ..... 14
  - 3.4 Diagnostics ..... 15
- Appendix 1: VHF CHANNEL LIST.....AP-1**
- Appendix 2: MOUNTING VHF SPLITTER .....AP-2**
- SPECIFICATIONS.....SP-1**
- OUTLINE DRAWINGS ..... D-1**
- INTERCONNECTION DIAGRAM..... S-1**

# FOREWORD

---

## A Word to the Owner of the FA-30

Congratulations on your choice of the FURUNO FA-30 AIS Receiver. We are confident you will see why the FURUNO name has become synonymous with quality and reliability.

For over 50 years FURUNO Electric Company has enjoyed an enviable reputation for quality marine electronics equipment. This dedication to excellence is furthered by our extensive global network of agents and dealers.

This equipment is designed and constructed to meet the rigorous demands of the marine environment. However, no machine can perform its intended function unless operated and maintained properly. Please carefully read and follow the recommended procedures for operation and maintenance.

Thank you for considering and purchasing FURUNO equipment.

## Features

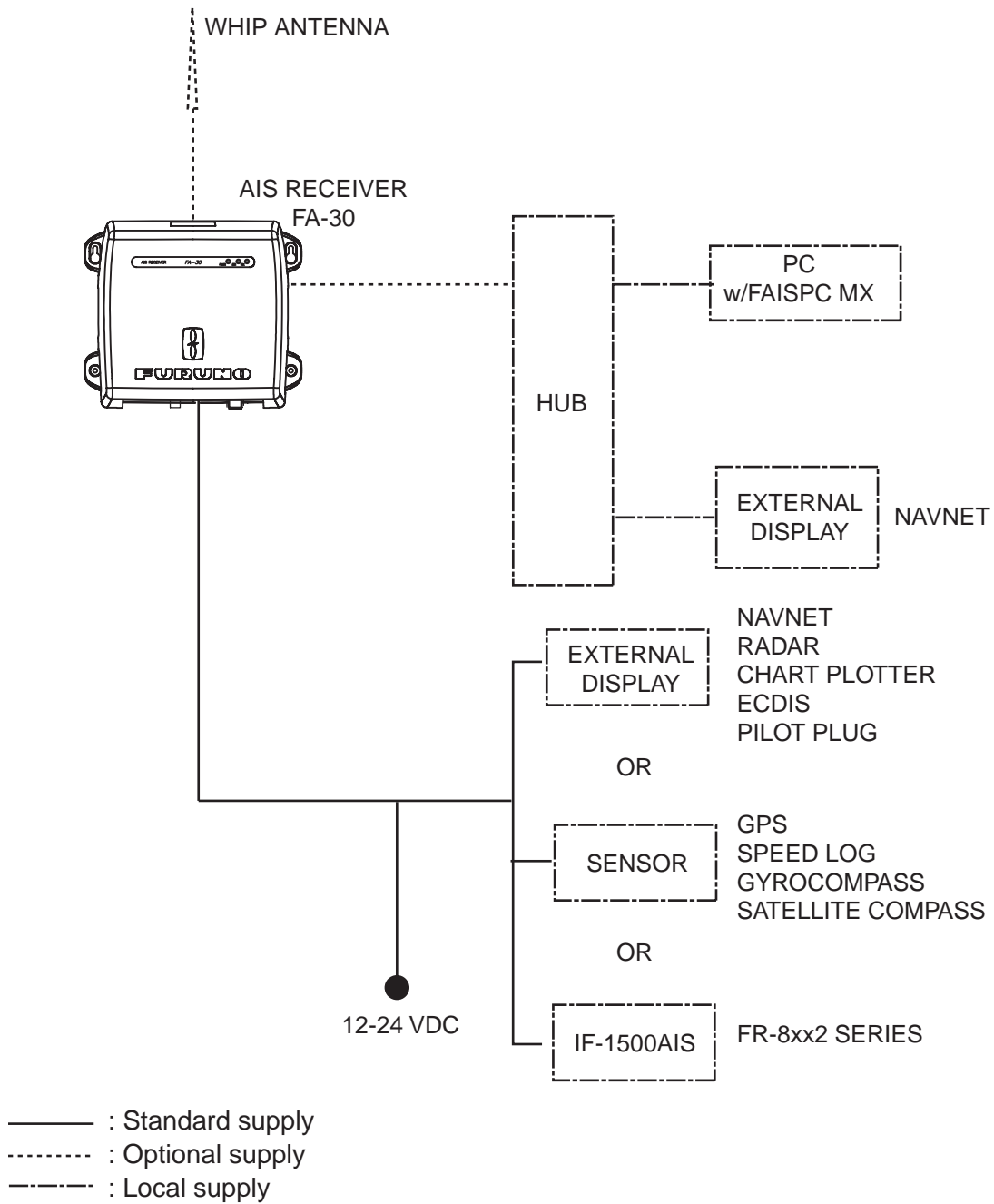
The FA-30 is a compact and cost effective AIS Receiver that is designed specifically for small commercial, leisure and fishing boats.

Connected to a VHF antenna it receives AIS data from AIS-equipped vessels, shore stations and navigational aids (AIS-equipped buoys, etc.). Vessel movement is plotted on a display connected to the LAN port. Data includes identity (name, call sign and MMSI), position, speed, heading, etc. of AIS-equipped vessels within VHF range.

## Program Version

| Item                            | Program No. | Version No. | Date     |
|---------------------------------|-------------|-------------|----------|
| FA-30 AIS Receiver Main Program | 0550227     | 01.02       | May 2007 |

# SYSTEM CONFIGURATION





# 1. INSTALLATION

---

## 1.1 Equipment Lists

### Standard supply

| Name                   | Type       | Code No.    | Qty   | Remarks                      |
|------------------------|------------|-------------|-------|------------------------------|
| AIS Receiver           | FA-30      | -           | 1     |                              |
| Installation Materials | CP05-11101 | 001-014-160 | 1 set | Tapping screw (4x20, 4 pcs.) |
| AIS Viewer             | FP05-05910 | 000-010-938 | 1 set | FAISPC-MX for PC             |
| Spare Parts            | SP05-05701 | 001-014-150 | 1 set | 2A fuse, 2 pcs.              |

### Optional supply

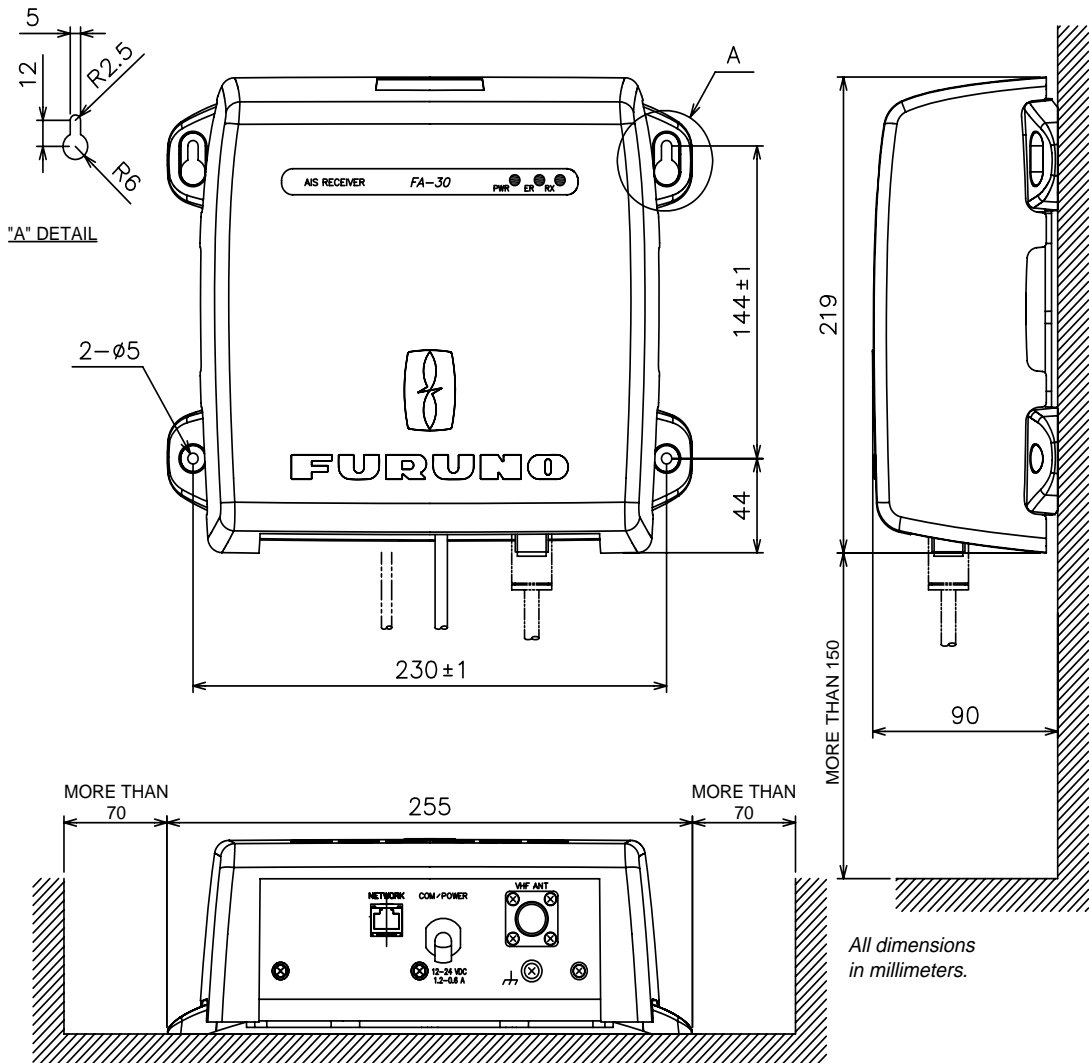
| Name         | Type              | Code No.       | Qty | Remarks         |
|--------------|-------------------|----------------|-----|-----------------|
| VHF Antenna  | 150M-W2VN         | 000-113-498    | 1   |                 |
| LAN Cable    | P5E-4PTX-BL       | 000-164-634-10 | 1   | 2 m, RJ45-RJ45  |
|              | P5E-4PTX-BL       | 000-164-637-10 |     | 10 m, RJ45-RJ45 |
|              | MJ-A6SPF0017-010C | 000-159-704-11 | 1   | 1 m, RJ45-MJ6   |
|              | MJ-A6SPF0017-050C | 000-159-705-11 |     | 5 m, RJ45-MJ6   |
|              | MJ-A6SPF0017-100C | 000-159-706-11 |     | 10 m, RJ45-MJ6  |
|              | MJ-A6SPF0017-200C | 000-159-707-11 |     | 20 m, RJ45-MJ6  |
|              | MJ-A6SPF0017-300C | 000-159-708-11 |     | 30 m, RJ45-MJ6  |
| VHF Splitter | OP05-106          | 000-011-704    | 1   |                 |

## 1.2 AIS Receiver FA-30

### Mounting considerations, mounting

The FA-30 can be mounted on a desktop, deck or on a bulkhead. When selecting a mounting location, keep the following points in mind:

- The temperature and humidity should be moderate and stable.
- Locate the unit away from exhaust pipes and vents.
- The mounting location should be well ventilated.
- Mount the unit where shock and vibration are minimal.
- Keep the unit away from electromagnetic field-generating equipment such as motors and generators.
- A magnetic compass will be affected if the FA-30 is placed too close to it. Observe the compass safe distances noted in the safety instructions to prevent disturbance to the magnetic compass.
- Fix the unit to the mounting location with 4x20 self-tapping screws (supplied).

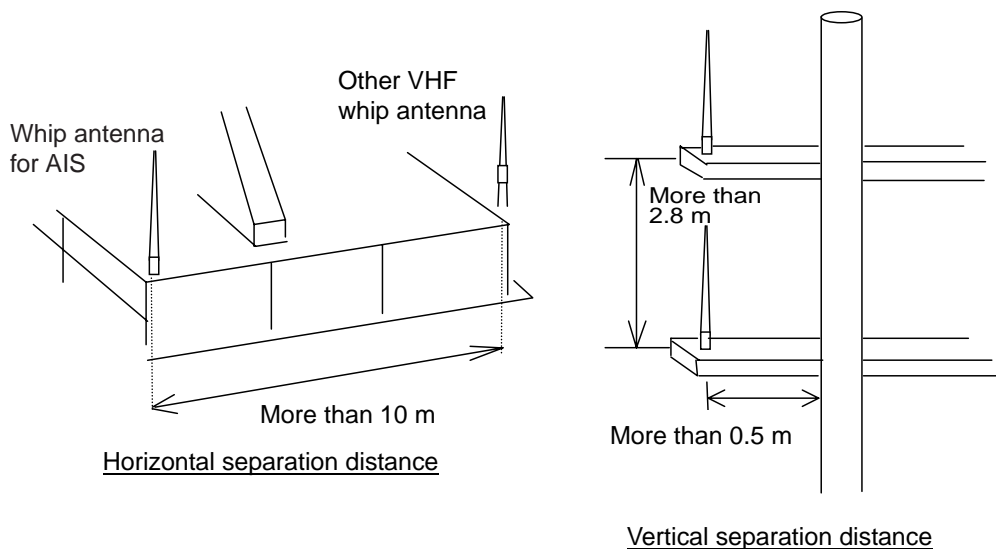


## 1.3 Whip Antenna

### Location

The location of the AIS VHF-antenna should be carefully considered. Digital communication is more sensitive than analog/voice communication to interference created by reflections in obstructions like masts and booms. It may be necessary to relocate the VHF radiotelephone antenna to minimize interference effects. To minimize interference effects, the following guidelines apply:

- The AIS VHF antenna should be placed in an elevated position that is as free as possible with a minimum of 0.5 meters in the horizontal direction from constructions made of conductive materials. The antenna should not be installed close to any large vertical obstruction. The objective for the AIS VHF antenna is to see the horizon freely through 360 degrees.
- There should not be more than one antenna on the same plane. The AIS VHF antenna should be mounted directly above or below the ship's primary VHF radiotelephone antenna, with no horizontal separation and with a minimum of 2.8 meters vertical separation. If it is located on the same plane as other antennas, the distance apart should be at least 10 meters.
- Install the VHF whip antenna (option) referring to the outline drawing at the back of this manual. Separate this antenna from other VHF radiotelephone antennas as shown below to prevent interference to the FA-30.

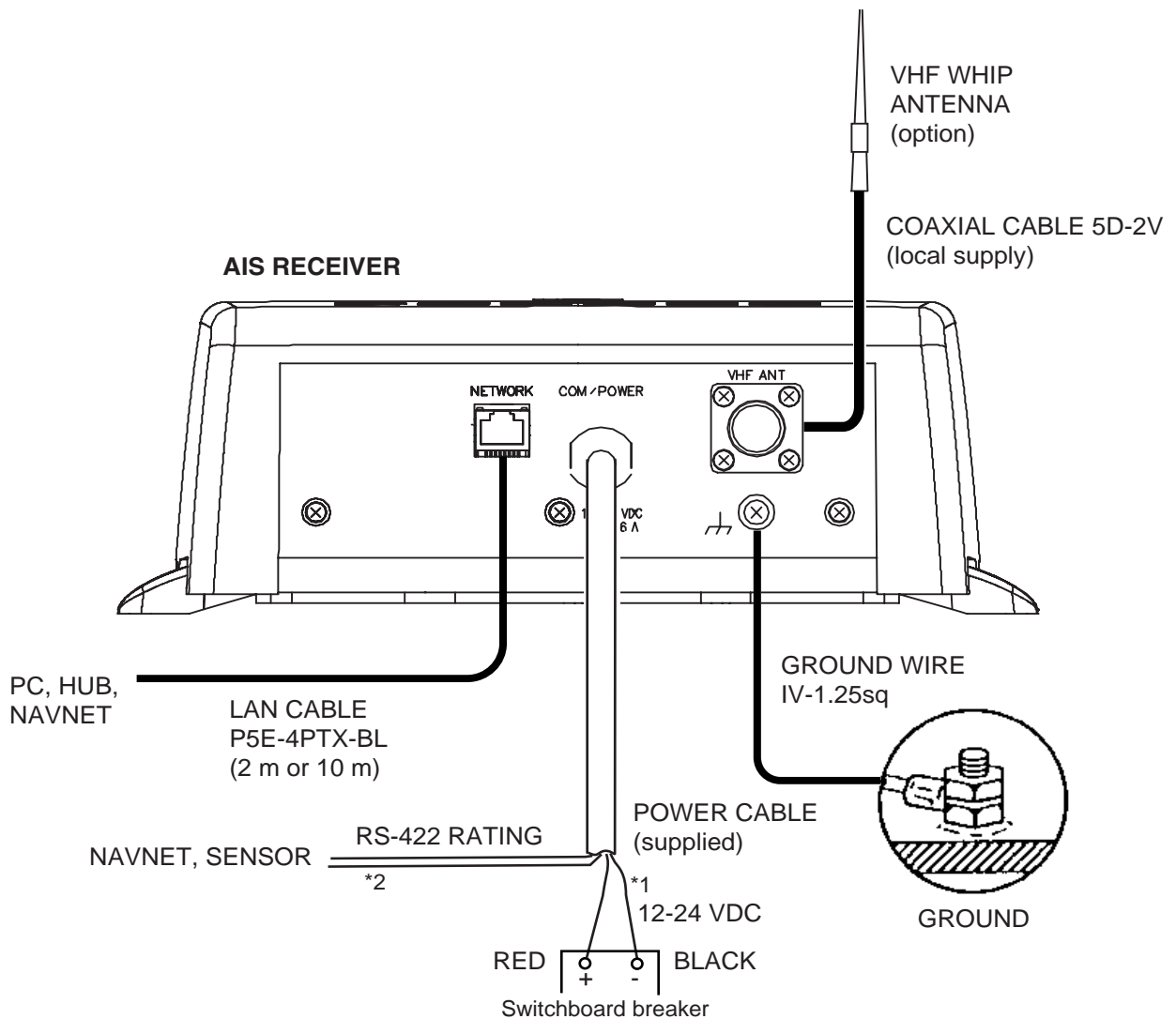


### Cabling

- Use coaxial cable type 5D-2V or the equivalent.
- The cable should be kept as short as possible to minimize signal attenuation, and the maximum length is 50 meters.
- All outdoor-installed connectors on coaxial cables should be fitted with preventive isolation such as vulcanizing tape to protect against water penetration into the antenna cable.
- Coaxial cables should be installed in separate signal cable channels/tubes and at least 10 cm away from power supply cables. Crossing of cables should be done at right angles (90 degrees). The minimum bend radius of the coaxial cable should be 5 times the cable's outer diameter.

# 1.4 Wiring

Connect power source, LAN cable, VHF antenna and ground wire as shown below.

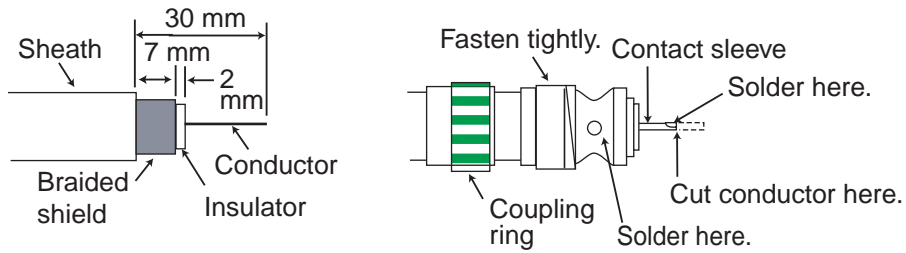


\*1 Supply from breaker on switchboard.

\*2 If COM lines (connection for NavNet, sensor) are not used, tape them to prevent short circuit.

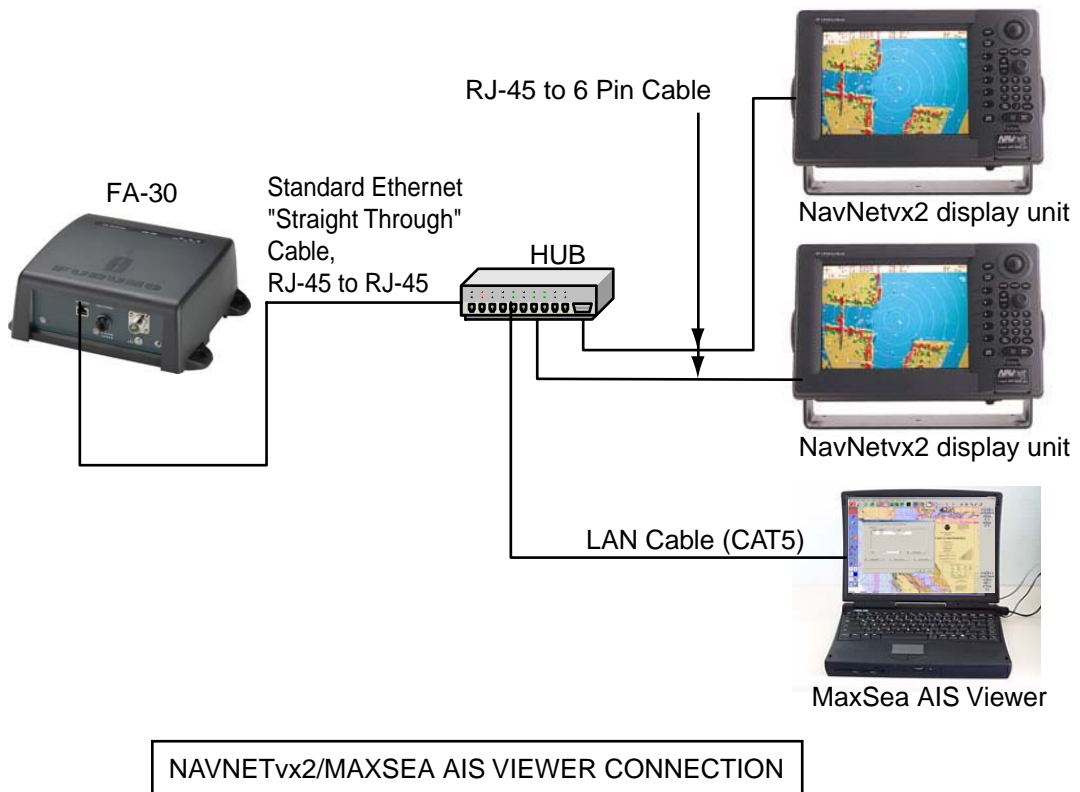
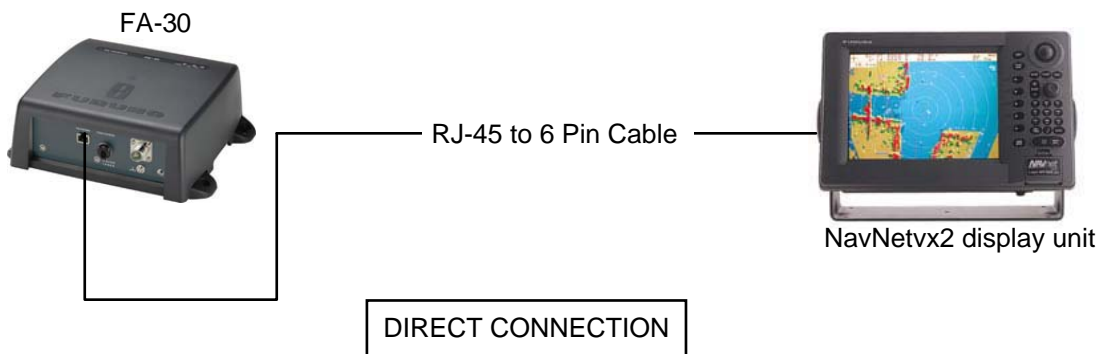
### Attaching coaxial connector (M-P-5) to coaxial cable

The antenna cable (coaxial cable, type 5D-2V) is terminated at the FA-30 with an M-P-5 coaxial connector. Attach the connector to the cable as shown below.



### Connection of AIS viewer (FAISPC-MX)

The AIS viewer may be connected to the FA-30 directly, or to both FA-30 and NavNet vx2. See the figure below for connection examples.

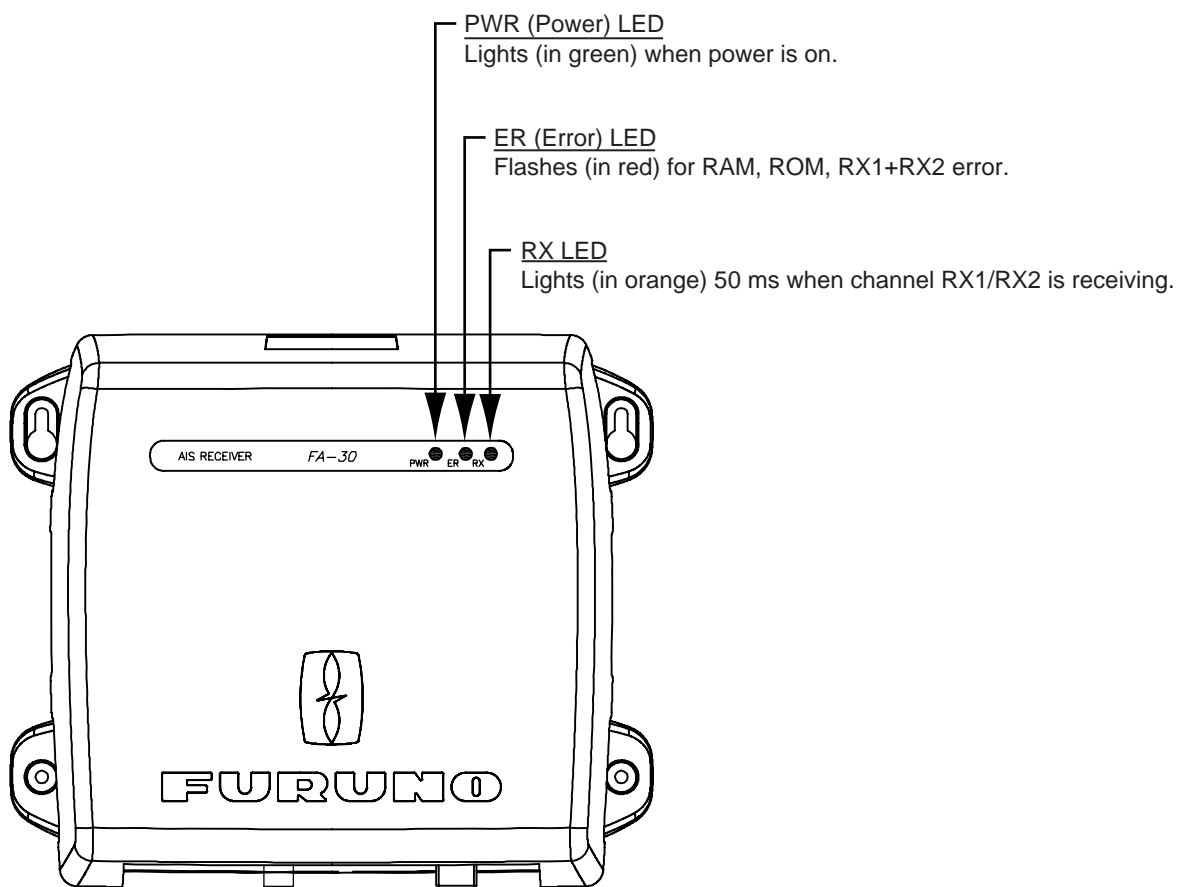


## 2. WEB SOFTWARE SETUP, DATA DISPLAYS

---

### 2.1 AIS Receiver FA-30

The FA-30 has no power switch. Power is fed from the ship's switchboard, and a power switch on the switchboard turns the FA-30 on or off. When powered, the PWR LED (green) on the cover lights. The two other LEDs on the cover flash or light with equipment state. The ER LED (red) lights while the equipment is being initialized, and flashes when equipment error is found. The RX LED (orange) lights when receiving.



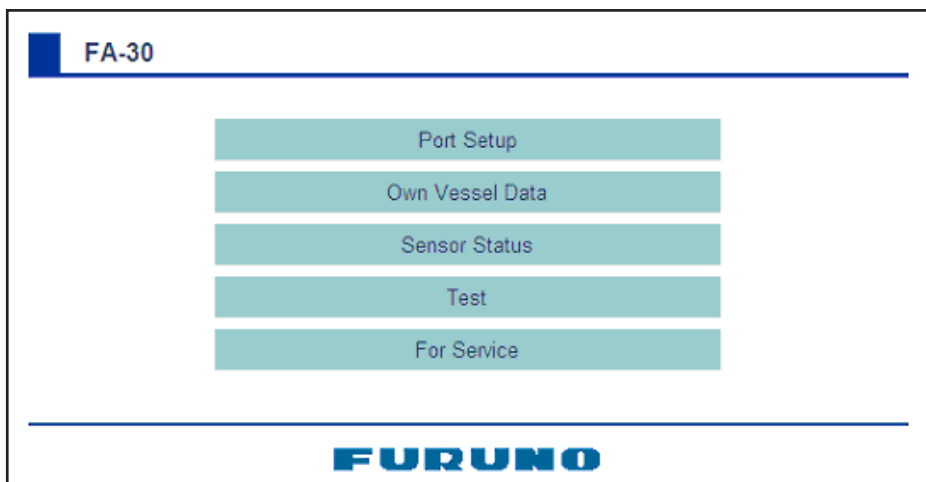
## 2.2 COM Port Setup, Network Setup

The FA-30 is set up from the PC or external display. The procedure below shows how to set up the COM/POWER and NETWORK ports from a PC.

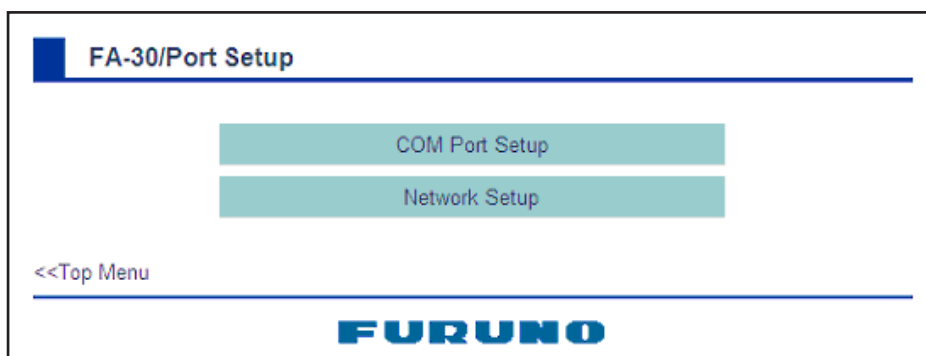
**NOTICE:** Only one FA-30 may be connected to the network.

### Start up

1. Start up the PC and enter IP address and subnet mask.
  - 1) Right-click My Network and Properties.
  - 2) Right-click Local Area Network and Properties.
  - 3) Select Internet Protocol and Properties.
  - 4) Enter IP address 172.31.24.xxx (xxx=any three digits from 001 to 254, except 002).
  - 5) Enter subnet mask 255.255.0.0.
2. Open Internet Explorer and do the following:
  - 1) Click Tools on the menu bar.
  - 2) Click Internet Options.
  - 3) The General tab is selected. Click Settings at Temporary Internet Files.
  - 4) Click the radio button "Every visit to the page" at "Check for newer versions of stored page".
  - 5) Click the OK button.
  - 6) Click the OK button again.
3. Enter URL as `http://172.31.24.2` and press the Enter key.



4. Click Port Setup to show the Port Setup menu.



## **COM port setup**

5. Click COM PORT Setup to show the COM Port Setup menu.

FA-30/COM Port Setup

Data Type IEC61162 (default=IEC61162)

TX Speed 38400 bps

RX Speed  Auto  Manual 4800 bps (default=Auto)

OK Cancel

<<Port Setup

**FURUNO**

6. The default setting for Data Type is IEC61162, which is suitable for most installations. If change is necessary, click the Data Type drop-down list and choose data type as applicable, among the following choices.

IEC61162

IEC61162

IEC61162+P-sentence

Off

**IEC61162:** Transmit and receive IEC61162 format data via COM port. (P sentences are received but not transmitted.)

**IEC61162+ P-sentence:** Transmit and receive IEC61162+P sentences format data via COM port.

**Off:** FA-30 transmits no data.

With the radio buttons at RX Speed, choose how RX speed is regulated, Auto or Manual. For manual, choose speed from the drop-down list.

4800 bps

4800 bps

38400 bps

**Note:** Tx speed is fixed at 38400 bps.

7. Click OK to confirm setting.
8. Click "<<Port Setup" to return to the Port Setup menu.



## **NETWORK setup**

9. Click Network Setup to show the Network Setup menu.

|                    |  |                           |
|--------------------|--|---------------------------|
| MAC Address        | 00-D0-1D-02-FA-50                            |                           |
| IP Address         | <input type="text" value="172.031.024.002"/> | (default=172.031.024.002) |
| Subnet Mask        | <input type="text" value="255.255.000.000"/> | (default=255.255.000.000) |
| Gateway Address    | <input type="text" value="000.000.000.000"/> | (default=000.000.000.000) |
| NavNet Port Number | <input type="text" value="10000"/>           | (default=10000)           |
| Host Name          | <input type="text" value="AIS0"/>            | (default=AIS0)            |
| AIS Data Output    | <input type="text" value="Continuous"/>      | (default=Continuous)      |

<<Port Setup

**FURUNO**

10. Enter the IP address assigned to the FA-30.

11. Enter subnet mask for the network.

12. Enter gateway address.

13. For NavNet connection, enter NavNet port number at NavNet Port Number. Enter ten-thousandths and one-thousandths places.

14. At Host Name, enter host name to be used in NavNet, AIS0 - AIS9.

15. At AIS Data Output, select how to output AIS data.

**Auto:** Auto-detect of where to output AIS data.

**Continuous:** Output data continuously. Select if interfaced with FAISPC\_MX.

**Note:** It is not necessary to change the settings of NavNet Port Number, Host Name and AIS Data Output. Connection is available without adjusting them.

16. Click the OK button to finish.

17. If you changed a setting, the message below appears.

You must restart your FA-30  
before the new settings take effect.  
Do you want to restart your FA-30 now?  
(It will take about 1 minute to restart your FA-30).

18. Click the Yes button to restart. "ER" LED on the FA-30 lights. After the LED goes off access is given.

19. The message "Please close the window." appears. Close the browser.

After restart is completed, it is necessary to access the FA-30 using new values. For example, if you changed the IP address, use the new address to access the FA-30.

## 2.3 Own Vessel Data Display, Channel Selection

The Own Vessel Data display shows your ship's MMSI no., RX channel nos., and channel selection method.

1. Show the main menu, referring to section 2.2.
2. Click Own Vessel Data.

| FA-30/Own Vessel Data |                          |
|-----------------------|--------------------------|
| MMSI                  | -----                    |
| RX1                   | CH. 2087 (International) |
| RX2                   | CH. 2088 (International) |
| Channel Selection     | Auto <span>Edit</span>   |

<<Top Menu

**FURUNO**

### Description of own vessel data

**MMSI:** MMSI number (nine-digit number).

**RX1:** Channel (four digits) received over RX1. Channel type (International, Local) is shown in parentheses.

**RX2:** Channel (four digits) received over RX2. Channel type (International, Local) is shown in parentheses.

**Channel Selection:** Current channel selection method, Auto or Manual, is shown. For how to change channels, go to the next step.

3. Click the Edit button to show the Channel menu.

| FA-30/Channel     |                                     |                  |
|-------------------|-------------------------------------|------------------|
| RX1               | <input type="text" value="2087"/>   | (default=2087)   |
| RX2               | <input type="text" value="2088"/>   | (default=2088)   |
| RX Mode           | <input type="text" value="RX 1+2"/> | (default=RX 1+2) |
| Channel Selection | <input type="text" value="Auto"/>   | (default=Auto)   |

When setting channels manually, confirm that channels are usable in current region, AIS information cannot be received in the regions where selected channel is not available.

OK Cancel

<<Own Vessel Data

**FURUNO**

4. Enter channel no. (four digits) at RX1 and RX2.

5. Click the RX Mode drop-down list to choose which channel(s) to receive.

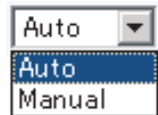


RX 1+2: Receive via channels 1 and 2.

RX 1: Receive via channel 1.

RX 2: Receive via channel 2.

6. Click the Channel Selection drop-down list.



7. Choose Manual.

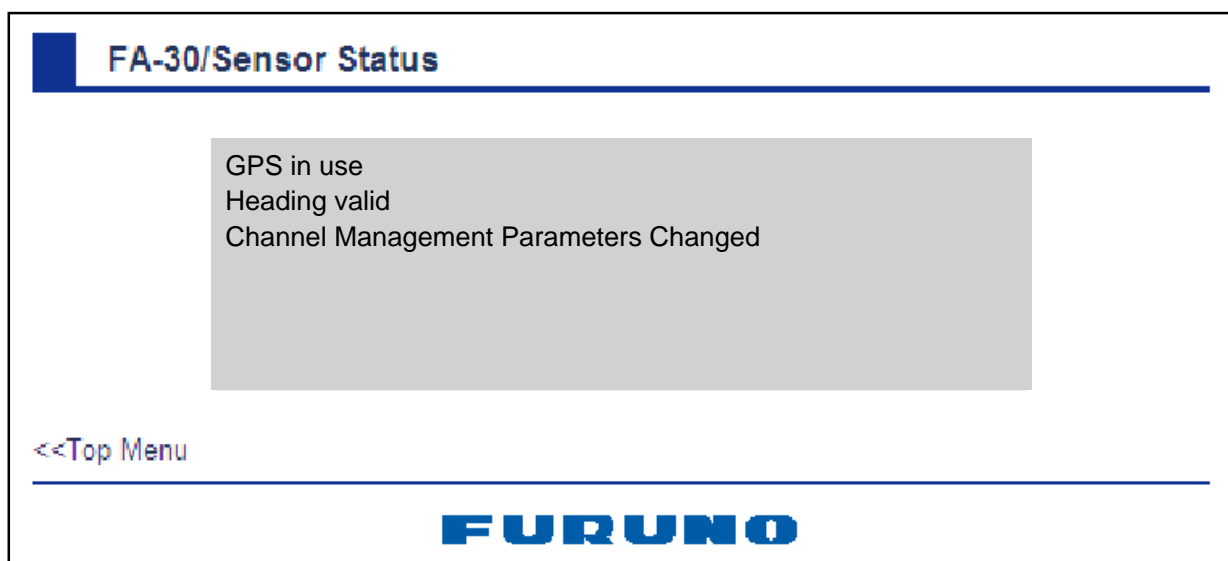
8. Click the OK button to finish. The Own Vessel Data menu appears.

To return to automatic channel selection, open the Channel menu, choose Auto at Channel Selection and click the OK button. CH2087 and CH2088 are automatically selected.

## 2.4 Sensor Status

The sensor status display provides information about sensors connected to the FA-30.

1. Show the main menu, referring to section 2.2.
2. Click Sensor Status. The illustration below shows typical sensor status indications.



### Description of sensor status indications


| Indication                            | Meaning                               | Remarks |
|---------------------------------------|---------------------------------------|---------|
| DGPS in use                           | DGPS currently in use                 | See *1  |
| GPS in use                            | GPS currently in use                  | See *1  |
| SOG/COG in use                        | SOG/COG currently in use              |         |
| Heading valid                         | Valid heading data                    |         |
| Channel Management Parameters Changed | Channel parameters have been changed. | See *2  |

\*1 Whichever navigator is in use.

\*2 Displayed for 30 seconds after changing channel parameters. (It is necessary to update the display.)

# 3. MAINTENANCE, TROUBLESHOOTING

---

|   |  |
|---|--|
| <b>⚠ WARNING</b>  |  |
|  | <p><b>Do not open the equipment unless totally familiar with electrical circuits and service manual.</b></p> <p>Only qualified personnel should work inside the equipment.</p> |

|   |
|---|
| <b>NOTICE</b>   |
| <p><b>Do not apply paint, anti-corrosive sealant or contact spray to coating or plastic parts of the equipment.</b></p> <p>Those items contain organic solvents that can damage coating and plastic parts, especially plastic connectors.</p> |

## 3.1 Maintenance

Regular maintenance helps maintain good performance. Check the items listed below at least monthly to help keep your equipment in good working order.

Maintenance table

| Item        | Check point, remedy  |
|-------------|--|
| Wiring      | Check that each cable and wire are securely fastened. Refasten if necessary.   |
| Ground      | Check ground point for rust. Clean if necessary.   |
| VHF antenna | Check VHF antenna and its cabling for damage. Replace if necessary.  |
| Cabinet     | Dust and dirt should be removed from the cabinet with a soft, dry cloth. Do not use chemical-based cleaners; they can remove paint and markings. |

## 3.2 Replacing the Fuse

The fuse (2A) inside the FA-30 protects it from overcurrent and equipment fault. If the unit cannot be powered, that is, the PWR (power) LED is off, the fuse may have blown. If this happens, turn off the power to the FA-30, open the cover and check the fuse. If the fuse has blown, find out the reason before replacing it. If it blows again after replacement, contact a FURUNO agent or dealer for advice.

| Part      | Type               | Code No.       |
|-----------|--------------------|----------------|
| Fuse (2A) | FGMB AC125V 2A PBF | 000-157-479-10 |

### **WARNING**

**Use the proper fuse.**

Use of a wrong fuse can result in damage to the equipment and cause fire.

## 3.3 Troubleshooting

The troubleshooting table below provides typical operating problems and the means to restore normal operation. If you cannot restore normal operation, do not attempt to check inside the receiver; there are no user serviceable parts inside the receiver.

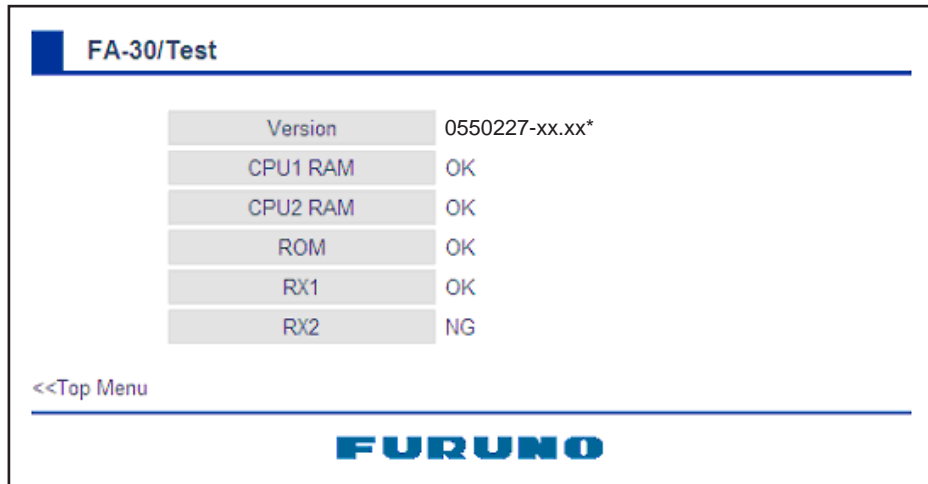
*Troubleshooting table*

| Symptom                     | Problem   | Remedy  |
|-----------------------------|---|---|
| Receiver cannot be powered. | Fuse inside the receiver may have blown.  | Replace the fuse.   |
| Cannot receive.             | <ul style="list-style-type: none"><li>• VHF antenna may have loosened.</li><li>• Antenna or its cabling may be damaged.</li><li>• Rx channel is malfunctioning.</li></ul> | <ul style="list-style-type: none"><li>• Check if the antenna is firmly fastened.</li><li>• Check the antenna and its cabling for damage.</li><li>• Confirm the channel setting.</li></ul> |

## 3.4 Diagnostics

The built-in diagnostic facility displays program version no. and checks RAM, ROM and RX channels for proper operation.

1. Open Internet Explorer and show the main menu.
2. Click Test to show the Test display.



\*xx.xx is program version.

The program version number appears on the first line. The CPU1 RAM and CPU2 RAM, ROM and the two RX channels are checked for proper operation, and the results are displayed as OK or NG (No Good). For any NG, try resetting the power and checking connections. If NG condition persists, contact your dealer for advice.

# Appendix 1: VHF CHANNEL LIST

| Ch No. | Frequency | Ch No. | Frequency | Ch No. | Frequency | Ch No. | Frequency |
|--------|-----------|--------|-----------|--------|-----------|--------|-----------|
| 1001   | 156.05    | 1088   | 157.425   | 277    | 156.8875  | 2079   | 161.575   |
| 1002   | 156.1     | 1201   | 156.0625  | 1278   | 156.9375  | 2080   | 161.625   |
| 1003   | 156.15    | 1202   | 156.1125  | 1279   | 156.9875  | 2081   | 161.675   |
| 1004   | 156.2     | 1203   | 156.1625  | 1280   | 157.0375  | 2082   | 161.725   |
| 1005   | 156.25    | 1204   | 156.2125  | 1281   | 157.0875  | 2083   | 161.775   |
| 6      | 156.3     | 1205   | 156.2625  | 1282   | 157.1375  | 2084   | 161.825   |
| 1007   | 156.35    | 1206   | 156.3125  | 1283   | 157.1875  | 2085   | 161.875   |
| 1018   | 156.9     | 1207   | 156.3625  | 1284   | 157.2375  | 2086   | 161.925   |
| 1019   | 156.95    | 208    | 156.4125  | 1285   | 157.2875  | 2087   | 161.975   |
| 1020   | 157       | 209    | 156.4625  | 1286   | 157.3375  | 2088   | 162.025   |
| 1021   | 157.05    | 210    | 156.5125  | 1287   | 157.3875  | 2201   | 160.6625  |
| 1022   | 157.1     | 211    | 156.5625  | 2001   | 160.65    | 2202   | 160.7125  |
| 1023   | 157.15    | 212    | 156.6125  | 2002   | 160.7     | 2203   | 160.7625  |
| 1024   | 157.2     | 213    | 156.6625  | 2003   | 160.75    | 2204   | 160.8125  |
| 1025   | 157.25    | 214    | 156.7125  | 2004   | 160.8     | 2205   | 160.8625  |
| 1026   | 157.3     | 215    | 156.7625  | 2005   | 160.85    | 2206   | 160.9125  |
| 1027   | 157.35    | 216    | 156.8125  | 2007   | 160.95    | 2207   | 160.9625  |
| 1028   | 157.4     | 217    | 156.8625  | 8      | 156.4     | 2218   | 161.5125  |
| 1060   | 156.025   | 1218   | 156.9125  | 9      | 156.45    | 2219   | 161.5625  |
| 1061   | 156.075   | 1219   | 156.9625  | 10     | 156.5     | 2220   | 161.6125  |
| 1062   | 156.125   | 1220   | 157.0125  | 11     | 156.55    | 2221   | 161.6625  |
| 1063   | 156.175   | 1221   | 157.0625  | 12     | 156.6     | 2222   | 161.7125  |
| 1064   | 156.225   | 1222   | 157.1125  | 13     | 156.65    | 2223   | 161.7625  |
| 1065   | 156.275   | 1223   | 157.1625  | 14     | 156.7     | 2224   | 161.8125  |
| 1066   | 156.325   | 1224   | 157.2125  | 15     | 156.75    | 2225   | 161.8625  |
| 67     | 156.375   | 1225   | 157.2625  | 16     | 156.8     | 2226   | 161.9125  |
| 68     | 156.425   | 1226   | 157.3125  | 17     | 156.85    | 2227   | 161.9625  |
| 69     | 156.475   | 1227   | 157.3625  | 2018   | 161.5     | 2228   | 162.0125  |
| 70     | 156.525   | 1228   | 157.4125  | 2019   | 161.55    | 2260   | 160.6375  |
| 71     | 156.575   | 1260   | 156.0375  | 2020   | 161.6     | 2261   | 160.6875  |
| 72     | 156.625   | 1261   | 156.0875  | 2021   | 161.65    | 2262   | 160.7375  |
| 73     | 156.675   | 1262   | 156.1375  | 2022   | 161.7     | 2263   | 160.7875  |
| 74     | 156.725   | 1263   | 156.1875  | 2023   | 161.75    | 2264   | 160.8375  |
| 75     | 156.775   | 1264   | 156.2375  | 2024   | 161.8     | 2265   | 160.8875  |
| 76     | 156.825   | 1265   | 156.2875  | 2025   | 161.85    | 2266   | 160.9375  |
| 77     | 156.875   | 1266   | 156.3375  | 2026   | 161.9     | 2278   | 161.5375  |
| 1078   | 156.925   | 267    | 156.3875  | 2027   | 161.95    | 2279   | 161.5875  |
| 1079   | 156.975   | 268    | 156.4375  | 2028   | 162       | 2280   | 161.6375  |
| 1080   | 157.025   | 269    | 156.4875  | 2060   | 160.625   | 2281   | 161.6875  |
| 1081   | 157.075   | 270    | 156.5375  | 2061   | 160.675   | 2282   | 161.7375  |
| 1082   | 157.125   | 271    | 156.5875  | 2062   | 160.725   | 2283   | 161.7875  |
| 1083   | 157.175   | 272    | 156.6375  | 2063   | 160.775   | 2284   | 161.8375  |
| 1084   | 157.225   | 273    | 156.6875  | 2064   | 160.825   | 2285   | 161.8875  |
| 1085   | 157.275   | 274    | 156.7375  | 2065   | 160.875   | 2286   | 161.9375  |
| 1086   | 157.325   | 275    | 156.7875  | 2066   | 160.925   | 2287   | 161.9875  |
| 1087   | 157.375   | 276    | 156.8375  | 2078   | 161.525   |        |           |



# Appendix 2: MOUNTING VHF SPLITTER

The VHF splitter enables the AIS receiver and VHF transceiver to share a single VHF antenna.

Note: The FA-30 can not receive AIS signal when the VHF transceiver is transmitting.

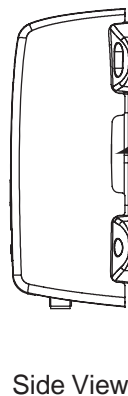
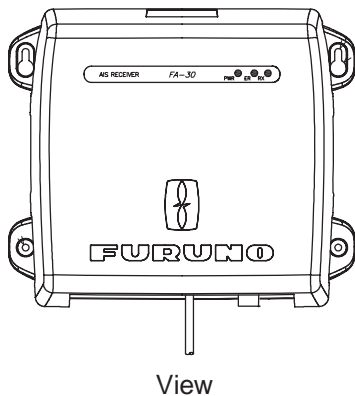
## Equipment Lists

VHF Splitter: Type OP05-106, Code No. 000-011-704

| No. | Name                   | Type       | Code No.    | Qty | Remarks                  |
|-----|------------------------|------------|-------------|-----|--------------------------|
| 1   | VHF Splitter Assembly  | OP05-106-1 | 001-024-100 | 1   | Rear panel + pcb 05P0817 |
| 2   | Installation Materials | CP05-11301 | 001-024-110 | 1   | Cable tie CV-70N, 1 pc.  |

## Mounting procedure

1. Open the detachable cover.

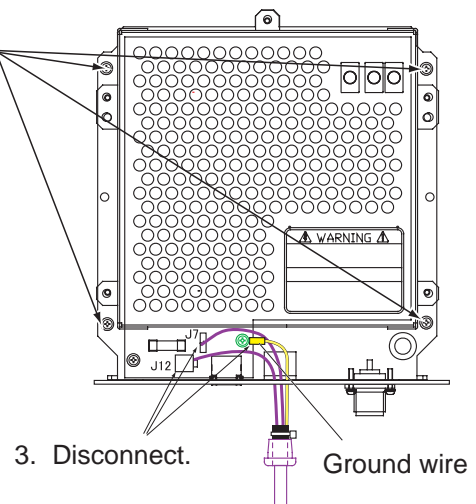


1. Put fingers on both sides and pull outwards and lift up to take off.

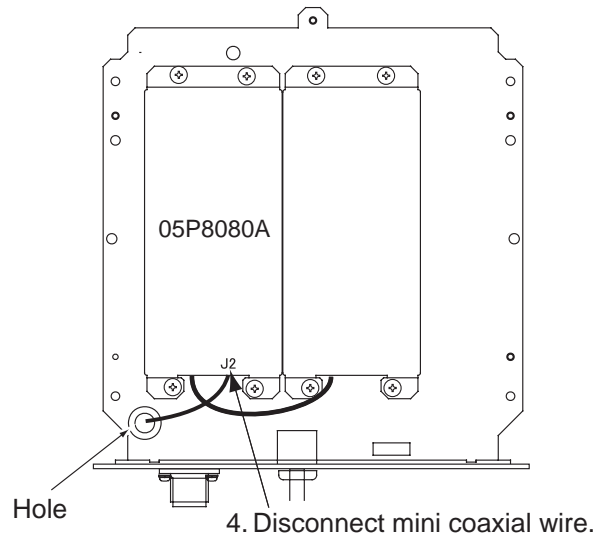
2. Unfasten four screws to separate the chassis from the mounting plate.

2. Unfasten four screws.

3. Disconnect plugs on J7, J12 and the ground wire from pcb 05P0807 .

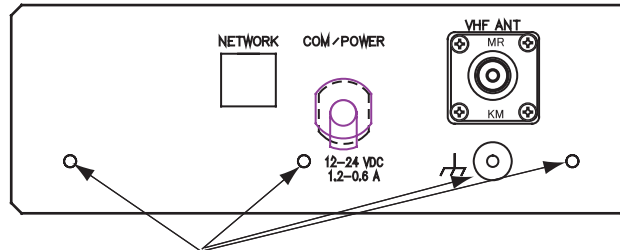


4. Turn over the chassis. Then, disconnect mini coaxial wire from J2 on pcb 05P0808A.



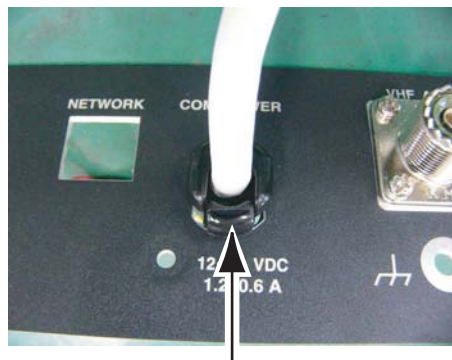
Bottom view

5. Unfasten four screws from the rear panel to come free.



Rear panel

6. Pull out the cable assembly from the rear panel. (The rear panel may be discarded.)



6. Push strongly here and pull out the cable.

7. Pass the cable assembly to the new rear panel.

8. Connect the plugs and ground wires to original places.

9. Pass two wires (two-core power cable and mini coaxial cable) from pcb 05P0817 on the new rear panel through the hole on the chassis.

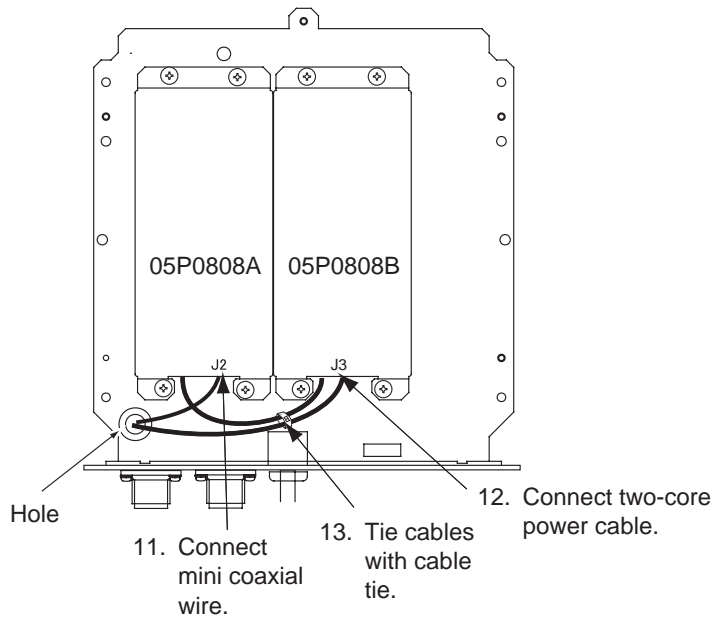
Pass two-core power cable and then mini coaxial cable.

10. Fix the new rear panel to the chassis with original four screws.

11. Connect the plug of mini coaxial wire to J2 on pcb 05P0808A.

12. Connect two-core power cable to J3 on pcb 05P0808B.

13. Tie two cables with a cable tie.



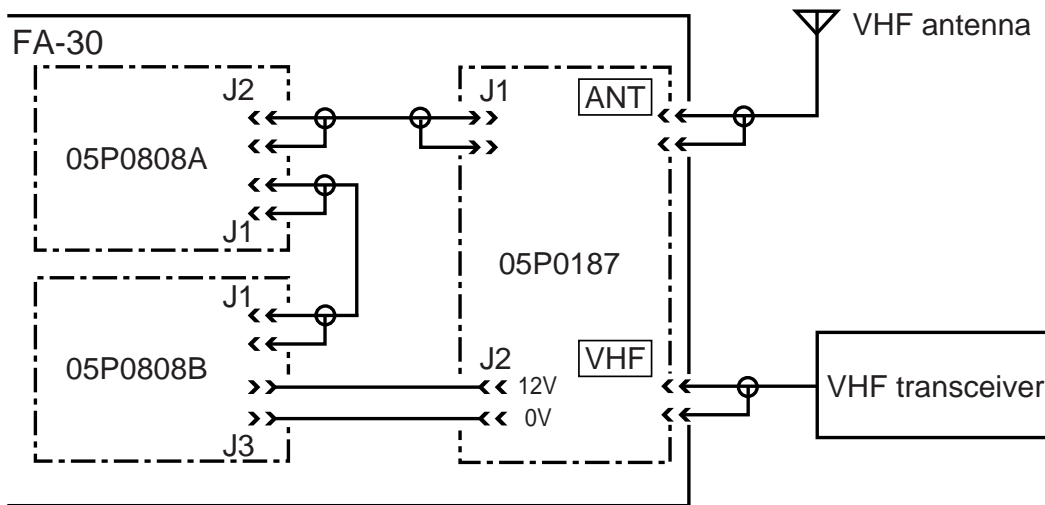
Bottom view of the chassis

14. Reassemble the chassis.

15. Connect the coaxial cable from the VHF antenna to the ANT port.

16. Connect the coaxial cable from the VHF transceiver to the VHF port.

**Note:** The wrong connection of coaxial cable from VHF antenna or VHF transceiver may damage this equipment.





**3. INTERFACE**

- 3.1 COM port
  - Input: RS422(38.4kbps)/IEC61162-1(4800 bps)
  - Output: RS422(38.4kbps)
  - Input sentences:** ACK, ACA, DTM, GBS, GGA, GLL, GNS, HDT, OSD, RMC, VBW, VTG, DSC, DSE, AIQ, ZDA, PFEC, ABM\*, BBM\*, AIR\*
  - Output sentences:** ACA, ACS, ALR, VDM, VDO, TXT, ABK\*, PFEC
- 3.2 NETWORK
  - Ethernet 10/100BASE-T
  - Input sentences:** ACK, ACA, DTM, GBS, GGA, GLL, GNS, HDT, OSD, RMC, VBW, VTG, DSC, DSE, AIQ, ZDA, PFEC, ABM\*, BBM\*, AIR\*
  - Output sentences:** ACA, ACS, ALR, VDM, VDO, TXT, ABK\*, PFEC
  - \* ABK sentence sent in response to mis-input of ABM, BBM, AIR.

**4. ANTENNA**

50 ohm single dipole antenna

**5. POWER SUPPLY**

12-24 VDC: 1.2-0.6 A

**6. ENVIRONMENTAL CONDITION**

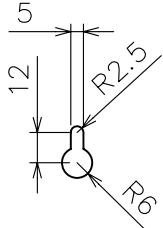
- 6.1 Ambient Temperature -15°C to +55°C
- 6.2 Relative Humidity 93% at 40°C
- 6.3 Waterproofing (IEC 60529) IP20
- 6.4 Vibration (IEC 60945 ed.4)
  - 2Hz to 5 Hz and up to 13.2 Hz with an excursion of  $\pm 1 \text{ mm} \pm 10\%$  ( $7 \text{ m/s}^2$  maximum acceleration at 13.2 Hz)
  - above 13.2 Hz and up to 100 Hz with a constant maximum acceleration of  $7 \text{ m/s}^2$

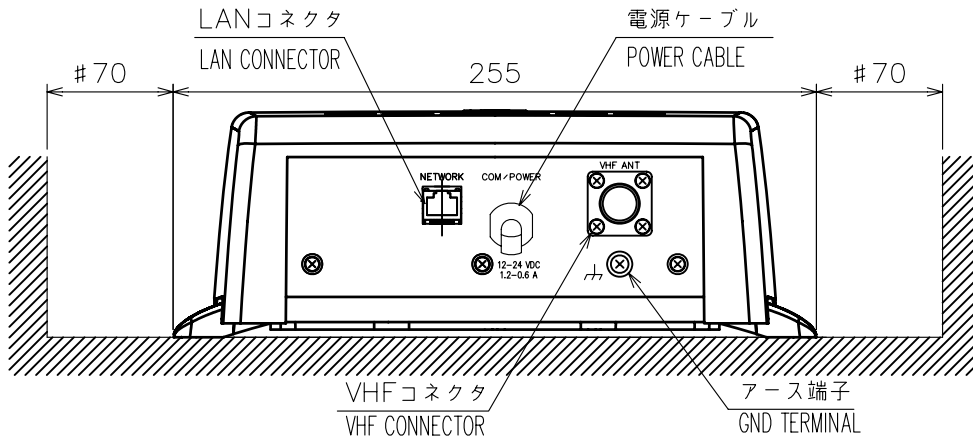
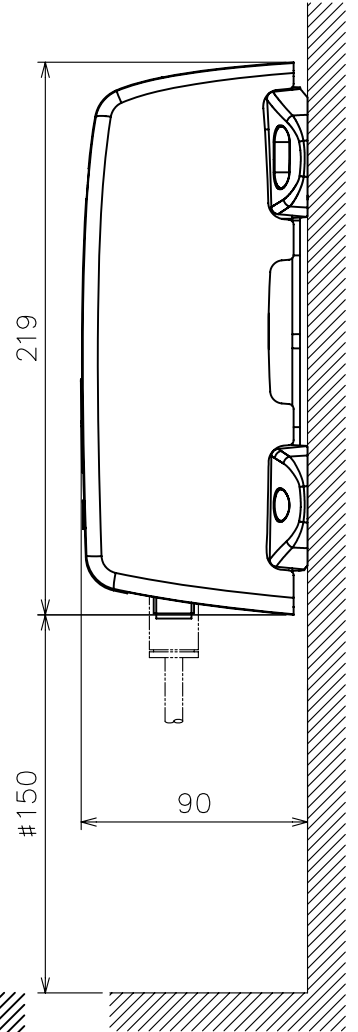
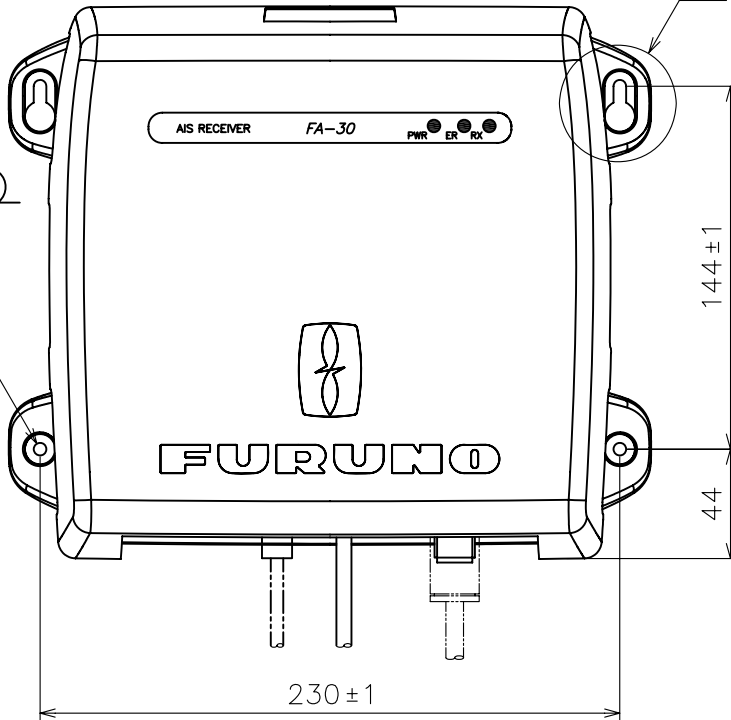
**7. COATING COLOR**

N2.5

表 1 TABLE 1

| 寸法区分 (mm)<br>DIMENSIONS | 公差 (mm)<br>TOLERANCE |
|-------------------------|----------------------|
| $L \leq 50$             | $\pm 1.5$            |
| $50 < L \leq 100$       | $\pm 2.5$            |
| $100 < L \leq 500$      | $\pm 3$              |

 型式銘板  
NAMEPLATE

 A部詳細(2箇所)  
DETAIL A

 2- $\phi 5$ 


- 注 記 1) #印寸法は最小サービス空間寸法とする。  
 2) 指定外の寸法公差は表 1 による。  
 3) 取付用ネジはトラストタッピンネジ呼び径4x20を使用のこと。
- NOTE 1. #: MINIMUM SERVICE CLEARANCE.  
 2. TABLE 1 INDICATES TOLERANCE OF DIMENSIONS WHICH IS NOT SPECIFIED.  
 3. USE SELF-TAPPING SCREWS 4x20 FOR FIXING THE UNIT.

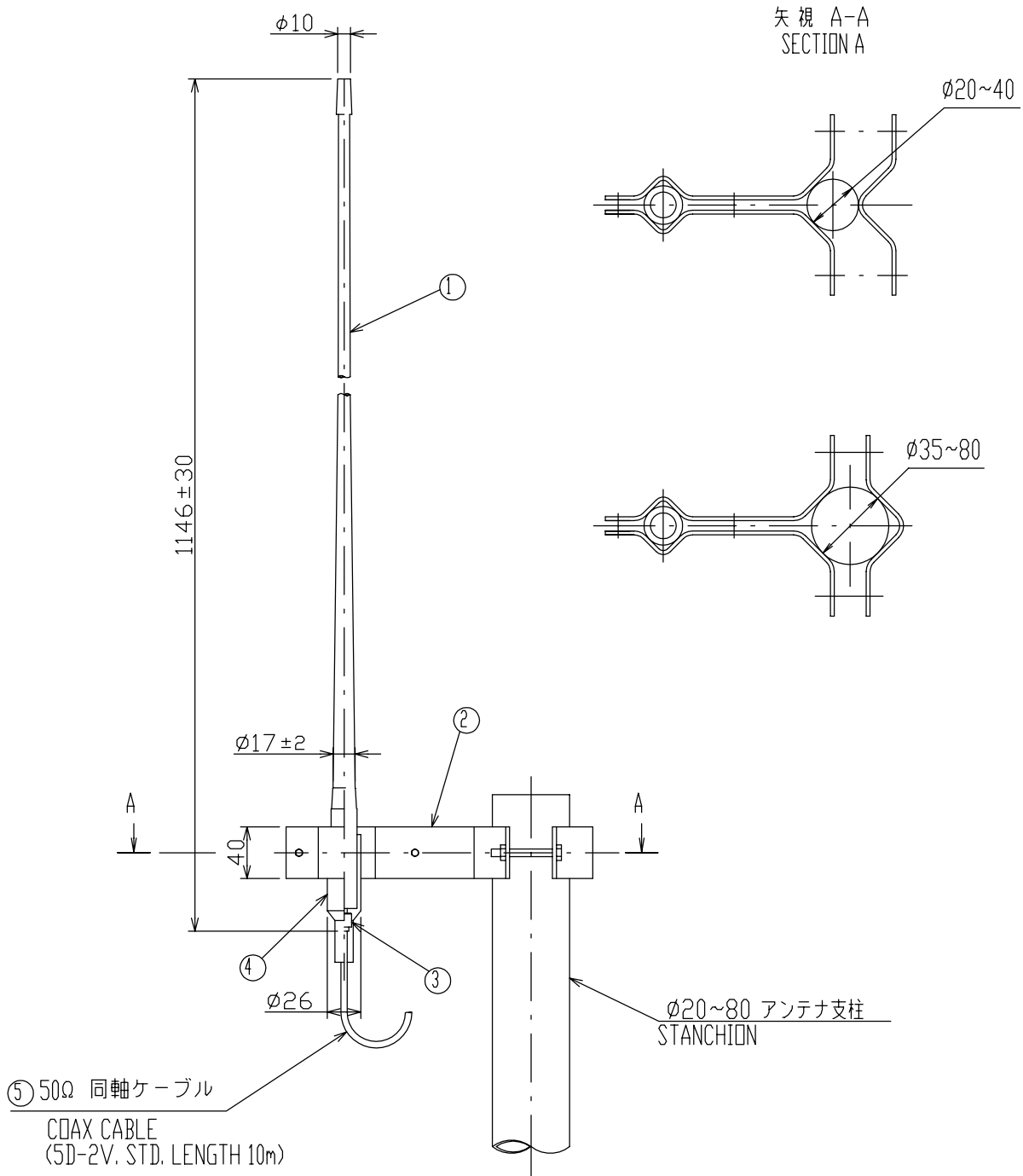
|   |                      |
|---|----------------------|
| DRAWN<br>Mar. 12 '07 E. MIYOSHI           | TITLE<br>FA-30       |
| CHECKED<br>TAKAHASHI, T                   | 名称<br>AIS受信機         |
| APPROVED<br>Y. Hatai                      | 外寸図                  |
| SCALE<br>1/3 MASS 1.5 $\pm 10\%$ kg       | NAME<br>AIS RECEIVER |
| DWG.No. C4443-G01-A REF.No. 05-096-250G-2 | OUTLINE DRAWING      |

A

B

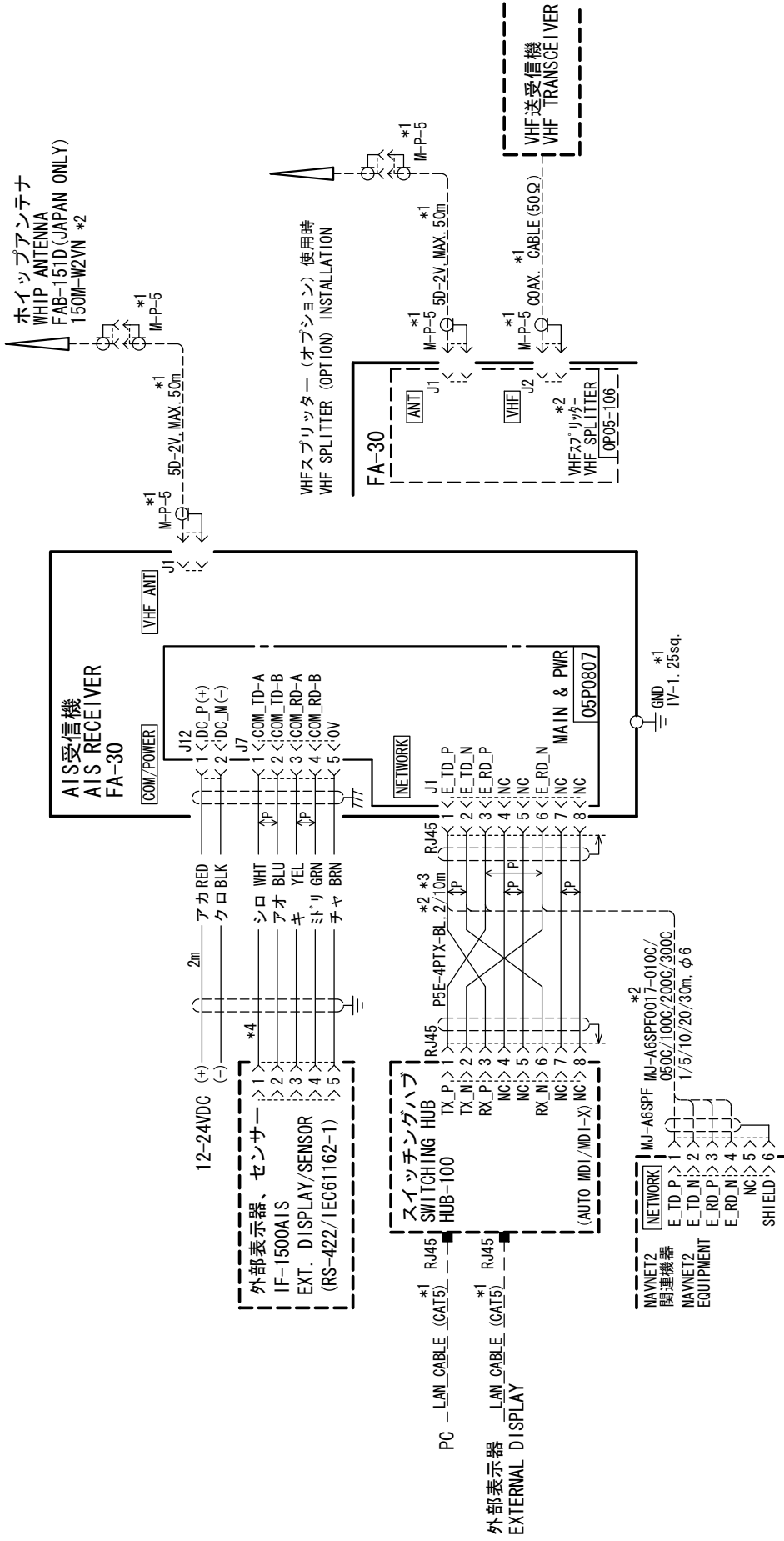
C

D



| 5          | 同軸ケーブル<br>50Ω COAX. CABLE   |                | 10m        | 5D-2V         |               |
|------------|-----------------------------|----------------|------------|---------------|---------------|
| 4          | 掙ビキャップ<br>CONNECTOR CAP     |                | 1          |               |               |
| 3          | 同軸コネクタ<br>COAX. CONNECTOR   |                | 2          | M-P-5         |               |
| 2          | アンテナ取付金具<br>ANTENNA BRACKET |                | 1 式<br>SET |               | t2            |
| 1          | アンテナ棒<br>ANTENNA ELEMENT    | FRP            | 1          | 150M-W2VN     | 0.25kg        |
| 品番<br>ITEM | 品名<br>NAME                  | 材質<br>MATERIAL | 数量<br>Q.TY | 図番<br>DWG.No. | 摘要<br>REMARKS |

|          |              |                     |       |                     |  |
|----------|--------------|---------------------|-------|---------------------|--|
| DRAWN    | Nov. 26 '03  | T.YAMASAKI          | TITLE | 150M-W2VN           |  |
| CHECKED  | Nov. 26 '03  | T.TAKENO            | 名称    | 150MHzホイップアンテナ      |  |
| APPROVED | Nov. 28 '03  | Matsuyuchi          |       | 外寸図                 |  |
| SCALE    | 1/5          | MASS 0.7 ±10%<br>kg | NAME  | 150MHz WHIP ANTENNA |  |
| DWG.No.  | C5011-042- C |                     |       | OUTLINE DRAWING     |  |



**注記**

- \*1) 造船所手配。
- \*2) オプション。
- \*3) Auto MDI/MDI-X対応でないHUBのときは、ストレートケーブルを使用する。
- \*4) COMラインを使用しないときは、芯線がショートしないようテープで絶縁する。

**NOTE**

- \*1: SHIPYARD SUPPLY.
- \*2: OPTION.
- \*3: USE STRAIGHT LAN CABLE WHEN A HUB W/O AUTO MDI/MDI-X FUNCTION IS USED.
- \*4: IF COM LINES ARE NOT USED, TAPE THEM TO PREVENT SHORT-CIRCUIT.

|          |             |             |                         |              |
|----------|-------------|-------------|-------------------------|--------------|
| DRAWN    | Sep. 10 '07 | T. YAMASAKI | TYPE                    | FA-30        |
| CHECKED  | Sep. 10 '07 | T. TAKENO   | 名称                      | AIS受信機       |
| APPROVED | Sep. 14 '07 | S. Hori     |                         | 相互結線図        |
| SCALE    |             | kg          | NAME                    | AIS RECEIVER |
| DWG. No. | C4443-C01-E | REF. No.    | INTERCONNECTION DIAGRAM |              |





**FURUNO**

**FURUNO ELECTRIC CO., LTD.**

9-52 Ashihara-Cho, Nishinomiya City, 662-8580, Hyogo, Japan  
Tel: +81 798-65-2111 Fax: +81 798-65-4200

Pub NO. DOC-929

## Declaration of Conformity



We FURUNO ELECTRIC CO., LTD.

(Manufacturer)

9-52 Ashihara-Cho, Nishinomiya City, 662-8580, Hyogo, Japan

(Address)

declare under our sole responsibility that the product

AIS receiver Type: FA-30 with optional VHF Splitter kit

(Model name, serial number)

is in conformity with the essential requirements as described in Article 10.3 and Annex II of the Directive 1999/5/EC of the European Parliament and of the Council of 9 March 1999 on radio equipment and telecommunications terminal equipment (R&TTE Directive) and satisfies all the technical regulations applicable to the product within this Directive

IEC 60945 Third edition: 1996-11 Subclause 10.2

IEC 60945 Fourth edition: 2002-08 Subclauses 8.2.2, 8.3.1, 8.4.2, 8.7, 9.2, 9.3, 10.3 to 10.9, 12.1 to 12.4

IEC 62287-1 First edition: 2006-03 Subclauses 10.2.1.2, 11.2.1, 11.3 (methods of test only)

IEC 61993-2 First edition: 2001-12 Subclause 15.3.1 (method of test only)

IEC 60950-1 First edition: 2001-10

(title and/or number and date of issue of the standard(s) or other normative document(s))

For assessment, see

- EMC Test Report FLI 12-07-008 of 23 March 2007 issued by Furuno Labotech International Co., Ltd, Japan
- Test Report (Climatic & Vibration) FLI 12-07-007 of 15 March 2007 issued by Furuno Labotech International Co., Ltd. Japan
- Safety Test Report FLI 12-07-009 of 19 March 2007 issued by Furuno Labotech International Co., Ltd. Japan

On behalf of Furuno Electric Co., Ltd.

Hiroaki Komatsu  
Manager,  
International Rules and Regulations

Nishinomiya City, Japan  
March 27, 2007

(Place and date of issue)

(name and signature or equivalent marking of authorized person)