



Internal Use Only

<http://biz.lgservice.com>

Floor Standing Air Conditioner **SVC MANUAL(Exploded View)**

MODEL : APNH2433LAE[LFN246HV]

CAUTION

Before Servicing the unit, read the safety precautions in General SVC manual.
Only for authorized service personnel.

1. Specifications

Indoor Unit

Model		APNH2433LAE		
Power Supply	Ø / V / Hz	1 / 208-230 / 60		
Cooling Capacity	kW	7.03		
	Btu/h	24000		
Heating Capacity	kW	7.6		
	Btu/h	26000		
Current	Nominal Running Current	A	10.9	
Fan	Motor Type	OBM-4011U1		
	Fan Type	Turbo Fan		
	Motor Output(W) x No. of Unit	70x1		
	Air Flow Rate(H / M / L)	CMM	20/16.5/13	
		cfm	706/583/459	
	External Static Pressure	mmAq	-	
Capacitor	µF / Vac	220/450		
Coil	Row x Column x FPI	2R x 30C x 18		
Dimensions (W x H x D)	Body	mm(inch)	570x1820x320(22.4x71.6x12.6)	
	Decorative Panel	mm(inch)	-	
Net Weight	Body	kg (lbs)	43(94.8)	
	Decorative Panel	kg (lbs)	-	
Air Filter		Long life filter		
Sound Level (H / M / L)		dB(A)+3	45/42/40	
Piping Connections	Liquid	mm (inch)	9.52(3/8)	
	Gas	mm (inch)	15.88(5/8)	
Dehumidification Rate		l/h	-	
Safety Devices		Thermal protector for fan motor		
Temperature Sensor		Thermistor		
Refrigerant		R-410A		
Refrigerant Control		EEV(Outdoor Unit)		
Connectable Outdoor Unit		LUU245HV		
Power and Transmission Interunit Cable	No. x AWG	4 x 18		

Note :

- Capacities are based on the following conditions:
 - Cooling - Indoor temperature 27°C(80.6°F)DB/19°C(66.2°F)WB
 - Outdoor temperature 35°C(95°F)DB/ 24°C(75.2°F)WB
 - Heating - Indoor temperature 20°C(68°F)DB/ 15°C(59°F)WB
 - Outdoor temperature 7°C(44.6°F)DB/ 6°C(42.8°F)WB
 - Piping Length - Interconnecting Piping Length 7.5m
 - Level Difference of Zero
- Wiring cable size must comply with the applicable local and national code.
- The specification may be subject to change without prior notice for purpose of improvement.

2. Function Table

Indoor Unit

Category	Function	APNH2433LAE
Air flow	Air supply outlet	3
	Airflow direction control(left & right)	O
	Airflow direction control(up & down)	O
	Auto swing(left & right)	O
	Auto swing(up & down)	O
	Airflow steps(fan/cool/heat/Plasma)	3/3/3/1
	Chaos swing	X
	Chaos wind(auto wind)	O
	Jet cool(Power wind)	O
	Swirl wind	X
Air purifying	Deodorizing filter	O
	Plasma air purifier	O
	Prefilter(washable / anti-fungus)	O
Installation	Drain pump	X
	E.S.P. control	X
	Electric heater(operation)	O
	High ceiling operation	X
Reliability	Hot start	O
	Self diagnosis	O
	Soft dry operation	O
Convenience	Auto changeover	O
	Auto cleaning	X
	Auto operation(artificial intelligence)	X
	Auto restart operation	O
	Child lock	O
	Forced operation	O
	Group control	O
	Sleep mode	X
	Timer(on/off)	O
	Timer(weekly)	X
Two thermistor control	O	
Individual control	Standard wired remote controller	X
	Deluxe wired remote controller	X
	Simple wired remote controller	X
	Wired remote controller(for hotel use)	X
	Wireless remote controller(simple)	X
	Wireless LCD remote control	O(New)
CAC network function	General central controller (Non LGAP)	X
	Dry contact	X
	Network Solution(LGAP)	X
	PDI(power distribution indicator)	X
	PI 485	X
Special function kit	Zone control	X
	CTIE	X
	Electro thermostat	X
Others	Thermistor	X

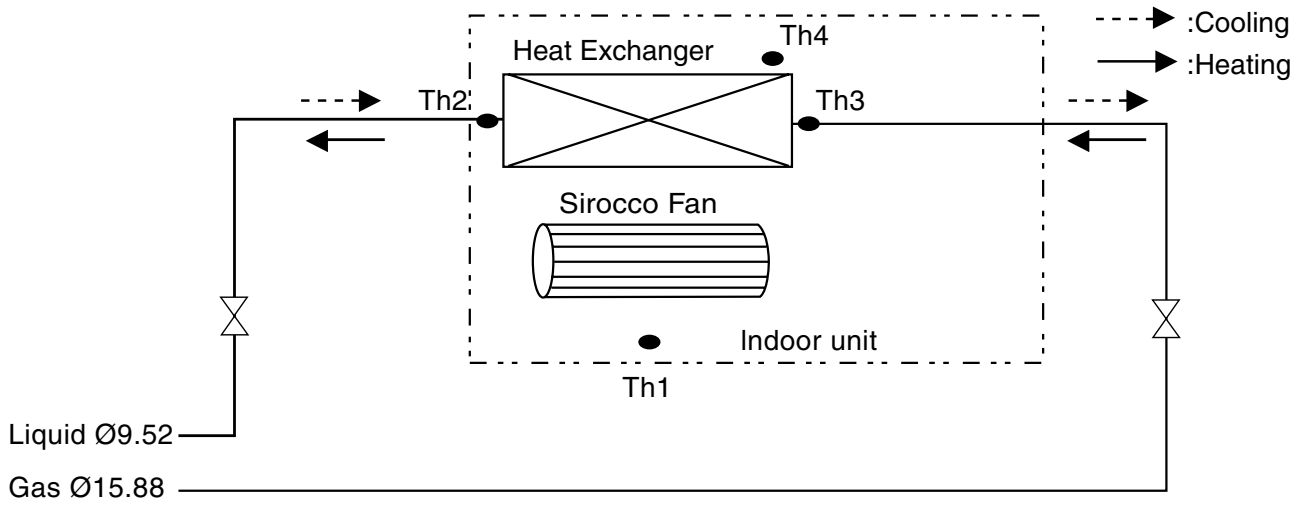
Note:

O : Applied X : Not applied - : No relation

Option : Model name & price are different according to options, and assembled in factory with main unit.

Accessory : Installed at field, ordered and purchased separately by the corresponding model name, supplied with separate package

3. Piping Diagrams

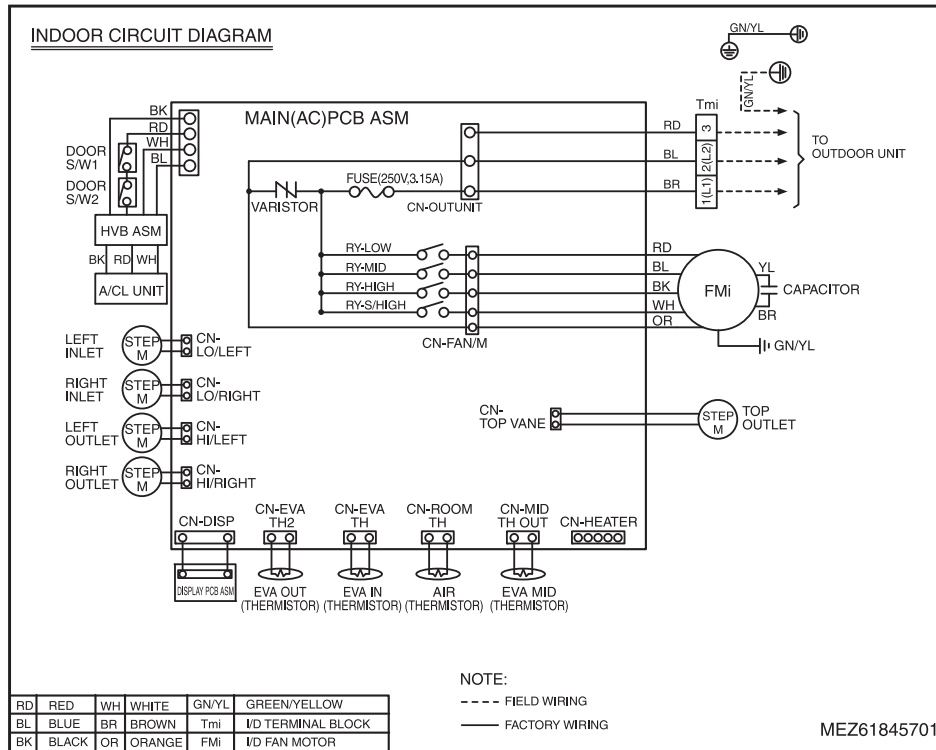


LOC.	Description	PCB Connector
Th1	Thermistor for inlet air temperature	CN_ROOM/TH
Th2	Thermistor for EVA. in temperature	CN_EVA/TH
Th3	Thermistor for EVA. out temperature	CN_EVA/TH2
Th4	Thermistor for EVA middle temperature	CN_GAS

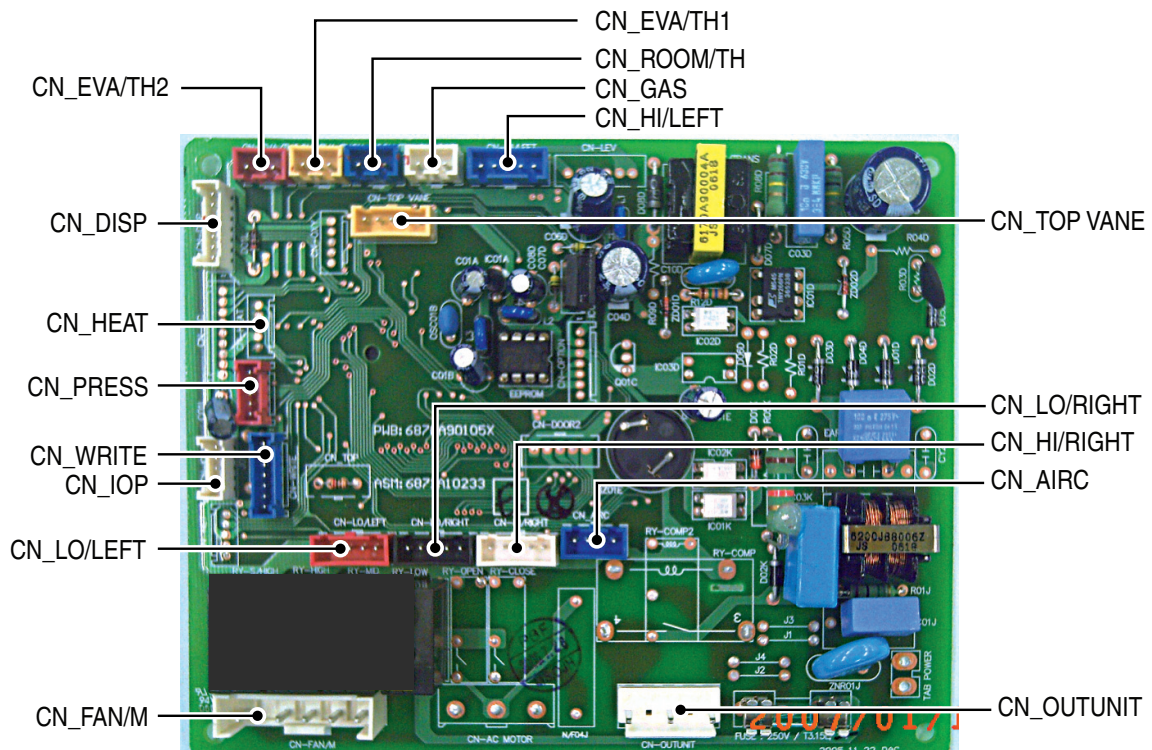
4. Wiring Diagram

Indoor Unit

◆ APNH2433LAE

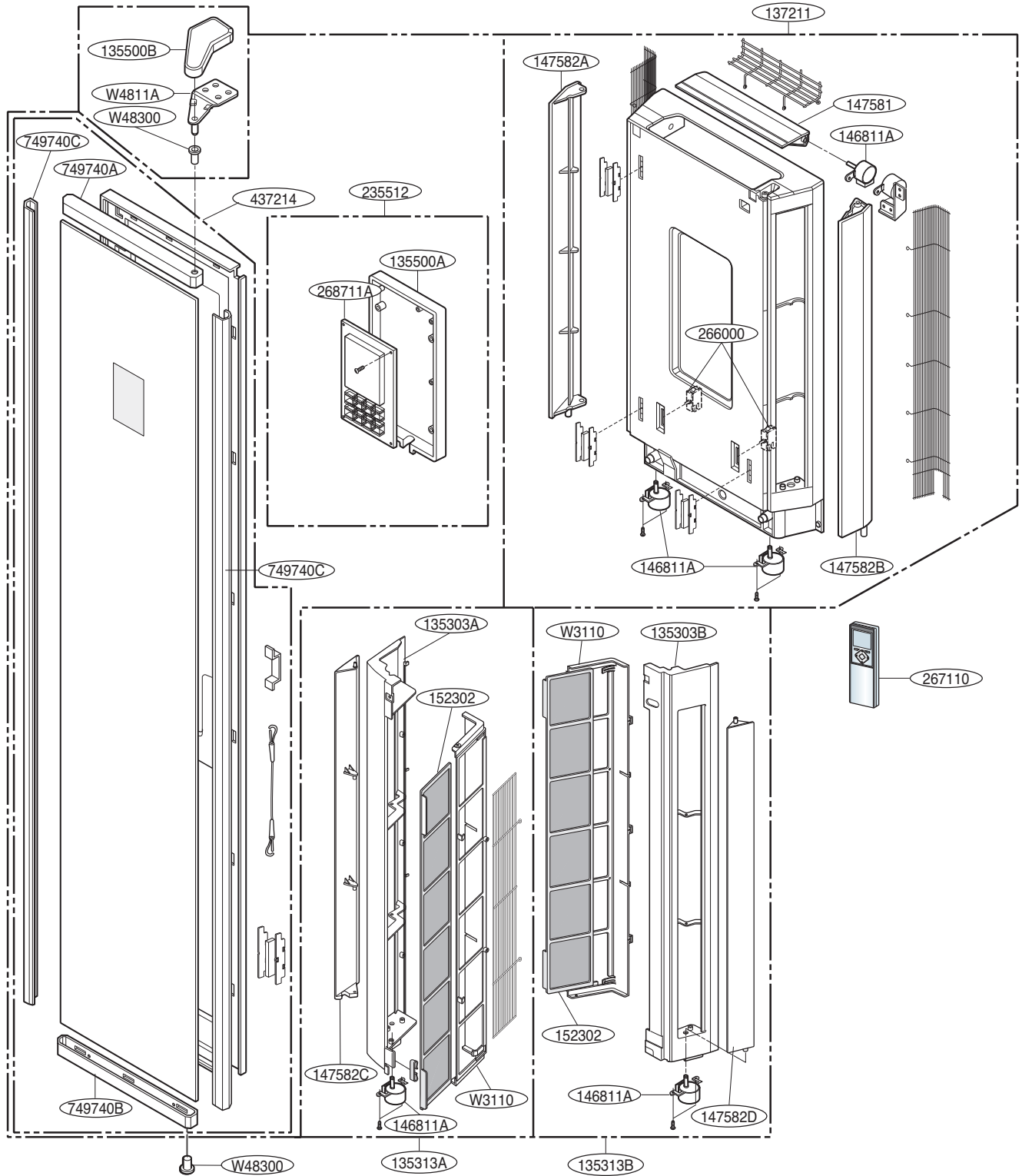


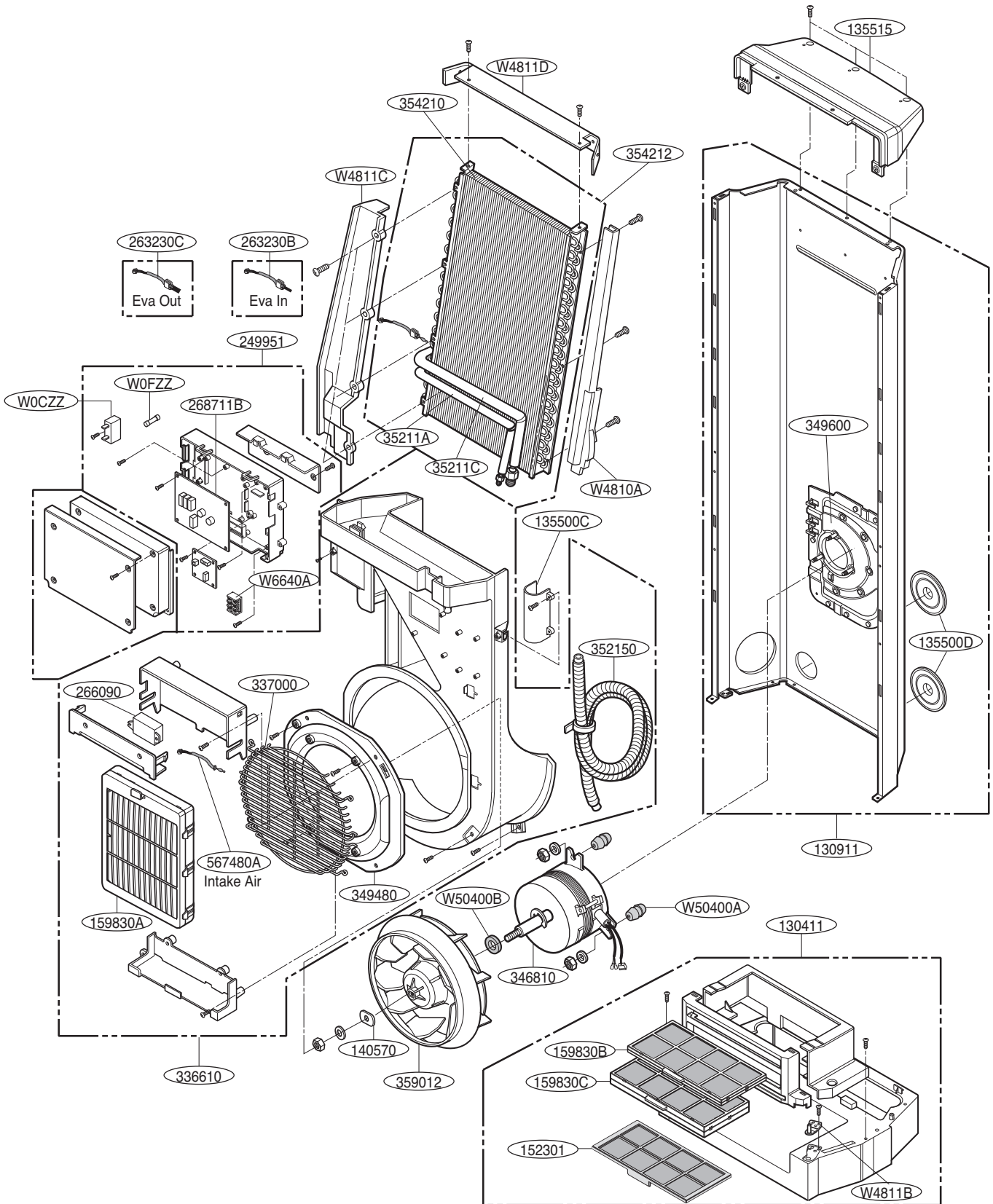
◆ AC PCB



5. Exploded View

Indoor Unit







P/NO : MFL62129310

FEBRUARY, 2010