

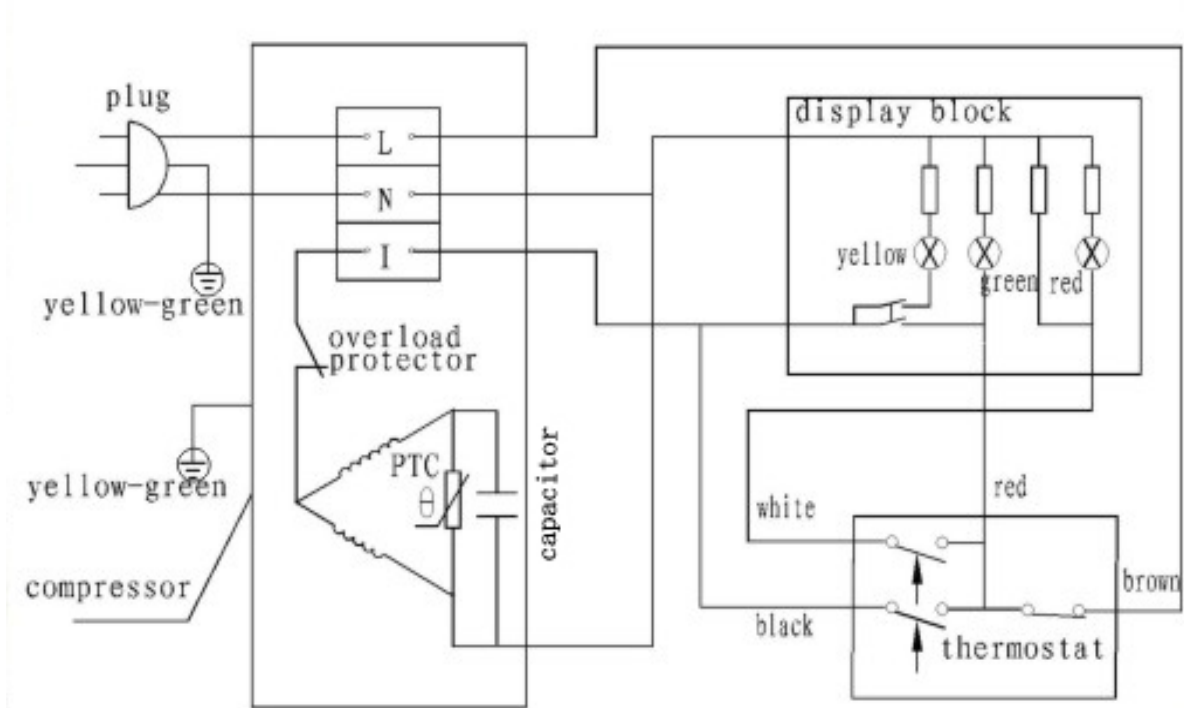
Service manual of MF-178

(Kesa model: TFZ140W-U / TFZ140SL-U)

Company	Hefei Meiling Company Limited		
Prepared by:	王成东	Title:	Engineer
Approved by:	谢萍	Manufacture model no	MF-178
Issue date:	2010-2-5	Kesa model no.	TFZ140W-U TFZ140SL-U
Company chop		Product name	50cm width upright freezer



Circuit Diagram (TFZ140W-U / TFZ140SL-U)



Guidelines : Trouble shooting

●Symptom: Appliance will not work at all.

Cause: The power supply plug is not inserted in the wall socket or the plug and the outlet is loose. Due to some anomaly in the household electric supply circuit, no power is reaching the refrigerator supply socket. This can be checked by plugging in a light or any other electric appliance into the suspect socket. The voltage is too low.

●Symptom: Noisy running.

Cause: The appliance has not been properly levelled. The refrigerator contact with the wall. The accessories in the refrigerator are placed wrong position.

●Symptom: Appliance does not cool sufficiently.

Cause: Door has been opened too often, or it has been left open for a while. The refrigerator is too near to the wall. Too much food in the refrigerator. Have not regulate the temperature correctly.

●Symptom: Smell inside the appliance.

Cause:Some of the food is not properly wrapped or covered.The inside of the refrigerator needs cleaning.

Attention !

If your refrigerator shows other symptoms from those described above,or if you have check all items listed as the causes and the symptom still exist then please call the service department.