



INSTRUCTIONS

-J06016

REV. 2014-10-06

BOOM! AUDIO STAGE II FRONT FAIRING SPEAKER KIT (FLTR)

GENERAL

Dealer installation is recommended. Radio EQ update using the Digital Technician® II diagnostic tool is:

- Recommended **before** speaker INSTALLATION
- Required **before** audio system OPERATION.
- Only available through authorized Harley-Davidson dealers.

Kit Number

76000594

Models

For model fitment information, see the P&A retail catalog or the Parts and Accessories section of www.harley-davidson.com (English only).

Installation Requirements

NOTE

DO NOT mix Stage I and Stage II speakers on the same vehicle.

NOTICE

Radio EQ **MUST** be updated by a Harley-Davidson dealer **BEFORE** operating the audio system. Operating the audio system prior to radio EQ update will **IMMEDIATELY** damage the speakers. (00645d)

NOTES

- These speakers **MUST** be used with an amplifier. **Prior installation** of a Fairing Amplifier Kit (Part No. 76000523) is required. The amplifier mounts **inside the upper fairing**.
- The speakers in this kit have an impedance of 2 Ohms. They are for use **ONLY** on **2014 and later** Harley-Davidson audio systems. See the P&A retail catalog or the

Parts and Accessories section of www.harley-davidson.com (English only).

- Using these speakers on **2006-2013** Harley-Davidson audio systems **WILL permanently damage these speakers**.
- Using these speakers on **2005 or earlier** Harley-Davidson audio systems **WILL permanently damage those systems**.

WARNING

The rider's safety depends upon the correct installation of this kit. Use the appropriate service manual procedures. If the procedure is not within your capabilities or you do not have the correct tools, have a Harley-Davidson dealer perform the installation. Improper installation of this kit could result in death or serious injury. (00333a)

NOTE

This instruction sheet refers to service manual information. A service manual for this year/model motorcycle is required for this installation. One is available from a Harley-Davidson dealer.

Kit Contents

See Figure 2 and Table 1.

PREPARATION

WARNING

To prevent accidental vehicle start-up, which could cause death or serious injury, remove main fuse before proceeding. (00251b)

NOTE

- **WITH security siren:** With security fob present, turn ignition switch ON. See the service manual. After system is disarmed, turn ignition switch OFF. **IMMEDIATELY** remove the main fuse.
- **WITHOUT security siren:** See the service manual. Remove main fuse.

REMOVAL

1. Remove windshield. Remove outer fairing. See the service manual.
2. See Figure 1. Remove the fairing speaker grille assemblies per the service manual.

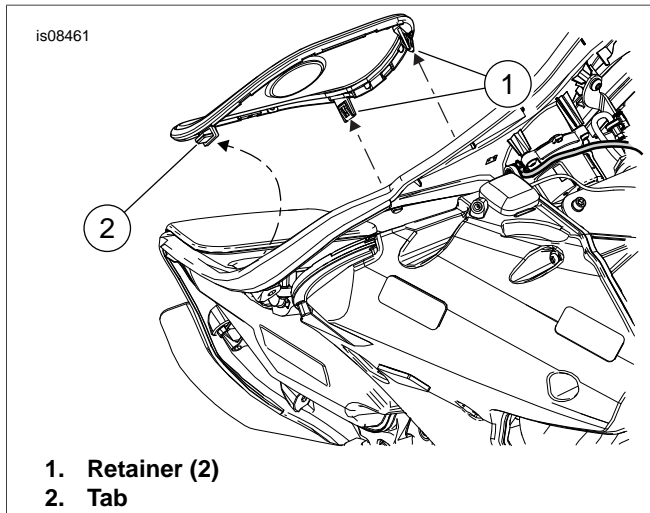


Figure 1. Speaker Grille Removal (Right Side Shown)

3. Remove the fairing speakers.
 - a. Remove four screws securing speaker to enclosure.
 - b. Hold speaker away from enclosure. Disconnect wires. Remove speaker.
 - c. Repeat on opposite side.

INSTALLATION

1. Install a Fairing Amplifier Kit (Part No. 76000523) to the inner fairing per the instructions in that kit.
2. See Figure 2. On one side, attach the speaker jumper wire connectors (C) inside the speaker enclosure (B) to the spade terminals on the back of the new woofer (1). Different size spade contacts prevent improper assembly.

NOTE

Position the speaker over the opening in the speaker enclosure. Note the letters "A" and "B" stamped on the outer rim (D) of the speaker.

- For the left speaker, rotate so the letter "B" is at the bottom.
 - For the right speaker, rotate so the letter "A" is at the bottom.
3. Position the midrange speaker mounting assembly over the woofer. Rotate the midrange assembly to align the mounting holes with the woofer. Position the wires at the top of the midrange mounting ring.

4. Fasten the woofer and midrange speakers to the enclosure with four screws (3) from the kit. Tighten the screws to 14-20 in-lbs (1.6-2.3 Nm).

NOTES

- The tweeter/speaker grille assemblies are side-specific. The right grille has the text "BOOM! AUDIO STAGE II" to the right of the tweeter housing. The left grille has no text.
 - To ease the midrange to tweeter lead connection in Step 5a, slide back the jacket over the female terminal. Connect the terminals. Slide the jacket forward over the connected terminals.
5. Install one grille assembly (4):
 - a. Connect the two individual leads from the midrange speaker to the tweeter leads on the speaker grille.
 - b. Verify that the rubber gasket (5) is in place around the perimeter of the grille. Check that the two clips (6) are in place on the grille tabs. Replace components if damaged or missing.
 - c. Insert the tweeter wiring and connector into the space between the upper inboard corner of the inner fairing speaker opening and the speaker housing (B).
 - d. Engage tab (E) into the outboard side of the speaker opening.
 - e. Engage the grille retainer clips in the slots (F).
 - f. Push on the grille in each retainer area until an audible click is heard.
 - g. Repeat on the opposite side.
 6. Position harness (10) inside inner fairing.
 - Connect the four-way connector [313] of the Y-harness into the amplifier harness rear speaker output connector [313].
 - The Y-harness legs are labeled "RH" or "LH" (right side or left side as viewed from the rider position). Or match the wire colors of the Y-harness to the speaker wire colors. Route each leg of the harness to the correct speaker.
 - Plug in the two-way connectors at each speaker.

WARNING

Be sure that steering is smooth and free without interference. Interference with steering could result in loss of vehicle control and death or serious injury. (00371a)

- Make sure that wires, harnesses or lines do not pull tight when handlebars are turned fully to left or right fork stops.
7. Verify that steering is smooth and clear from stop to stop.

COMPLETION

NOTE

To prevent possible damage to the sound system, verify that the ignition is OFF **before** installing the main fuse.

NOTICE

Radio EQ **MUST** be updated by a Harley-Davidson dealer **BEFORE** operating the audio system. Operating the audio system prior to radio EQ update will **IMMEDIATELY** damage the speakers. (00645d)

1. See the service manual. Install the main fuse.
2. Have a Harley-Davidson dealer update the radio EQ using Digital Technician II.
3. Turn the ignition ON, but do not start the motorcycle.
4. Refer to the BOOM! BOX INFOTAINMENT SYSTEM section of the owner's manual. Turn the radio ON. Make

sure that all speakers are working and front/rear fader function is operating correctly. If not, check speaker wiring.

Understand that buzzing, squeaks and rattles could be heard until outer fairing is installed.

5. See the service manual. Install outer fairing. Install windshield.

WARNING

After installing seat, pull upward on seat to be sure it is locked in position. While riding, a loose seat can shift causing loss of control, which could result in death or serious injury. (00070b)

6. See the service manual to install the seat.

IN USE

Avoid direct contact with speaker grilles by a pressure washer. Damage to speakers can result.

SERVICE PARTS

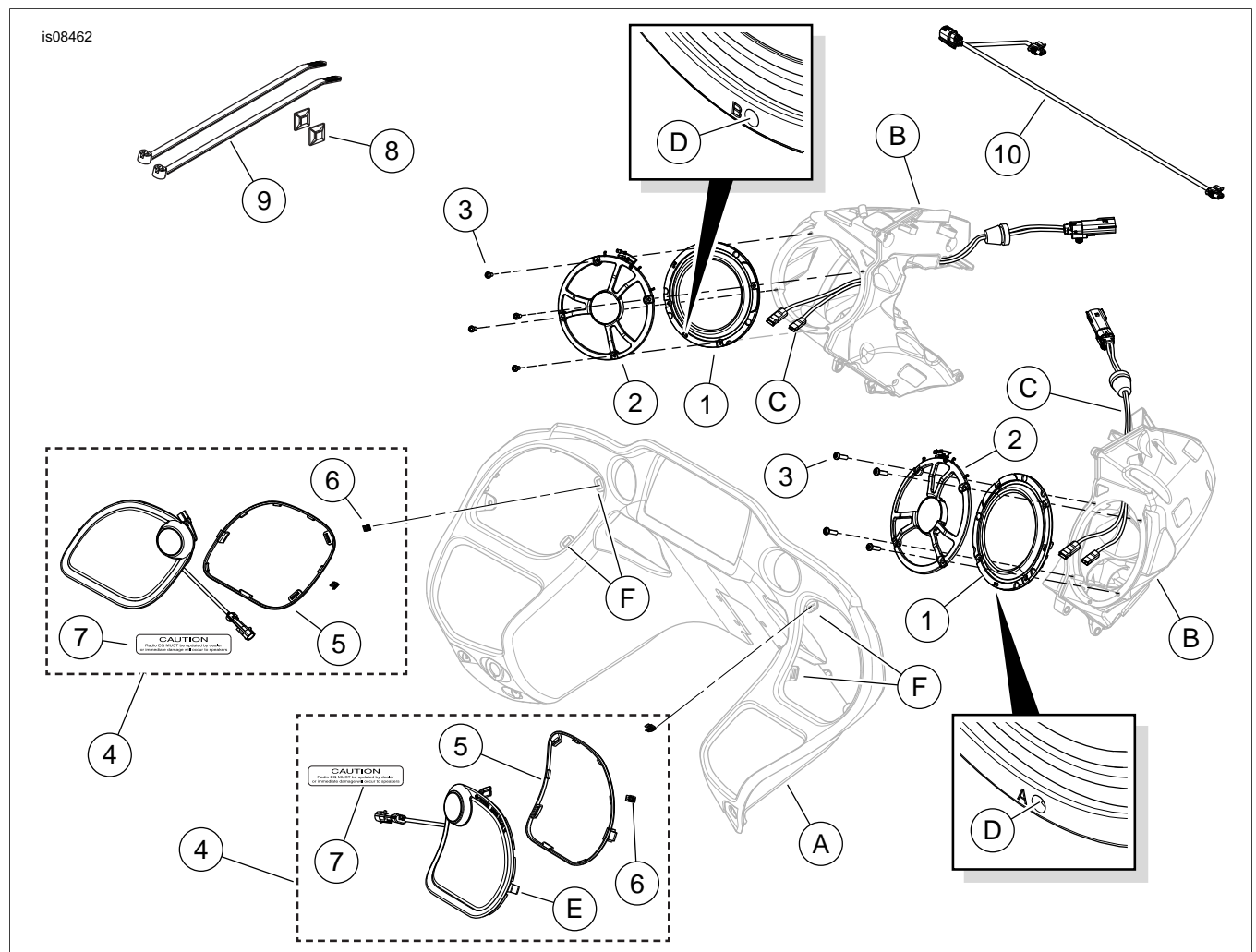


Figure 2. Service Parts, BOOM! Audio Stage II Front Fairing Speaker Kit (FLTR)

Table 1. Service Parts

Item	Description (Quantity)	Part Number
1	Speaker assembly (woofer), fairing (2)	76000525
2	Speaker assembly, midrange (2)	76000606
3	Screw (8)	10200376
4	Tweeter/speaker grille assembly (left) (includes items 5-7) Tweeter/speaker grille assembly (right) (includes items 5-7)	76000595 76000596
5	<ul style="list-style-type: none"> • Gasket (left) • Gasket (right) 	76000456 76000455
6	<ul style="list-style-type: none"> • Clip (2) 	12200025
7	<ul style="list-style-type: none"> • Label, speaker installation 	Not sold separately
8	Wire retainer, adhesive back (2)	69200342
9	Cable strap (2)	10065
10	Wire harness, tweeter/midrange speaker	69200925
Items mentioned in text, but not included in kit:		
A	FLTR inner fairing	
B	Speaker enclosure (2)	
C	Speaker jumper harness (2)	
D	Reference hole at bottom of speaker rim, marked "A" (right speaker), "B" (left speaker)	
E	Tab on outboard side of speaker/grille	
F	Slots on inboard side of speaker opening	