

ROBINAIR®



PANZITTA SALES & SERVICE
72 George Avenue
Wilkes-Barre, PA 18705
570-822-6720 800-822-6720
www.panzittasales.com

Model 34788-Series Recovery, Recycling, and Recharging Unit Service Manual

Includes Models: AC34788 (MAC), RA-C34788 (Cornwell), GE-48800,
and Robinair 48920-Series Units.

PARTS AND COMPONENTS

Parts and Components 89

How to Use the Parts and Components Illustrated Parts Listing 89

Component Assemblies 91

- External Assembly..... 91
- Internal Assembly..... 94
- Head Assembly 101
- ISV Assembly (Domestic) 104
- ISV Assembly (Int'l) 106
- Manifold Assembly 108
- Vacuum Pump..... 116
- Compressor 118
- Base Assembly 120

Electrical Diagram 121

Plumbing Diagram..... 125

Main Component Descriptions 127

Alphabetical Parts List..... 129

PANZITTA SALES & SERVICE
72 George Avenue
Wilkes-Barre, PA 18705
570-822-6720 800-822-6720
www.panzittasales.com

PARTS AND COMPONENTS

Purpose

This section provides illustrations and parts breakdown of all parts of the assembly(ies) shown on the title page which can be disassembled, repaired or replaced, and reassembled.

HOW TO USE THE PARTS AND COMPONENTS ILLUSTRATED PARTS LISTING

Disassembly Order System

The disassembly order system used in the parts list shows the relationship of one part to another. For a given item, replaceable parts making up the top assembly or subassembly depicts the relationship of the item to the associated next higher assembly. Indenture is not used in this illustrated parts list due to the relative simplicity of these units.

Number Column (No.)

This column contains the callout or index number of a part on the exploded view assembly drawing. Each number corresponds to a specific part on the drawing. When a triple dash (---) is shown, the part is either the top assembly for the drawing, or the part is not illustrated and therefore not called out.

The illustrated parts list does not list or illustrate parts which lose their identity by being permanently welded or riveted to other pieces.

Description Column (Description)

This column lists the noun name of the item followed by any descriptor (Example: GAUGE, LOW SIDE). In this case "GAUGE" is the noun, and "LOW SIDE" is the descriptor.

Units Per Assembly (Qty)

The Qty column shows the total number of numbers required per assembly, per subassembly, and per sub-subassembly as applicable. For

bulk items, the letters AR indicate "as required". The letters REF, if used, indicate the item is listed for reference purposes.

Part Number Column (Part No.)

This column contains the part number of the item listed in the Description column. The letters RNS, REF, or the abbreviated Ref. Only, if used, indicate the item is listed for reference purposes, but is not available for purchase.

A Robinair part number assigned a part is five or six digit drawing number. Part numbers beginning with RA are "Replacement Assembly" numbers. These numbers depict a kit of parts or assemblies used to repair or replace certain parts of the end item.

Effectivity Column (Effectivity)

Reference letters (A through Z except I and O) are assigned to the Effectivity column to each top assembly in each IPL figure. The reference letter of the applicable top assembly is also shown in the Effectivity column for each detail part and subassembly. When no reference letter is shown for detail parts and subassemblies, the item is used on all top assemblies.

Parts Replacement Data

The interchangeability relationship between parts is identified in the Description column of the parts list. A list of the terms used to show interchangeability and their definition is shown in the table following.

PARTS LIST TERM	ABBREVIATION	DEFINITION
Optional	OPT	This part is interchangeable with other parts in the same Item number variant group or other item number if designated
Supersedes	SUPSDS	The part in the part number column replaces and is not interchangeable with the item number shown in the notation.
Superseded	SUPSD BY	The part in the part number column is replaced by and is not interchangeable with the item number shown in the notation.
Replaced By	REPLD BY	The part in the part number column is replaced by and interchangeable with the item number shown in the notation.
Replaces	REPLS	The part in the part number column replaces and is interchangeable with the item number shown in the notation.

Technical Service Bulletin (TSB) Incorporation

Except as indicated below, assemblies, sub-assemblies and detail parts subject to modification, deletion, addition or replacement by an issued service bulletin are annotated to show both pre and post service bulletin configuration. The term (PRE SB XXXX) in the Description column designates the original configuration, and the term (POST SB XXXX) identifies assemblies and parts after the service bulletin modification has been completed.

Subassemblies and detail parts used on assemblies bearing the pre- or post-service bulletin notation will not carry the same notation themselves if the use code(s) assigned to them clearly reflect(s) their pre- or post-service bulletin status.

Items Not Illustrated

Items not illustrated are indicated by a (Not shown.) notation in the Description column.

Alpha Variant Item Numbers

Alpha variants A through Z (except I and O) are assigned to an existing item number when necessary to show:

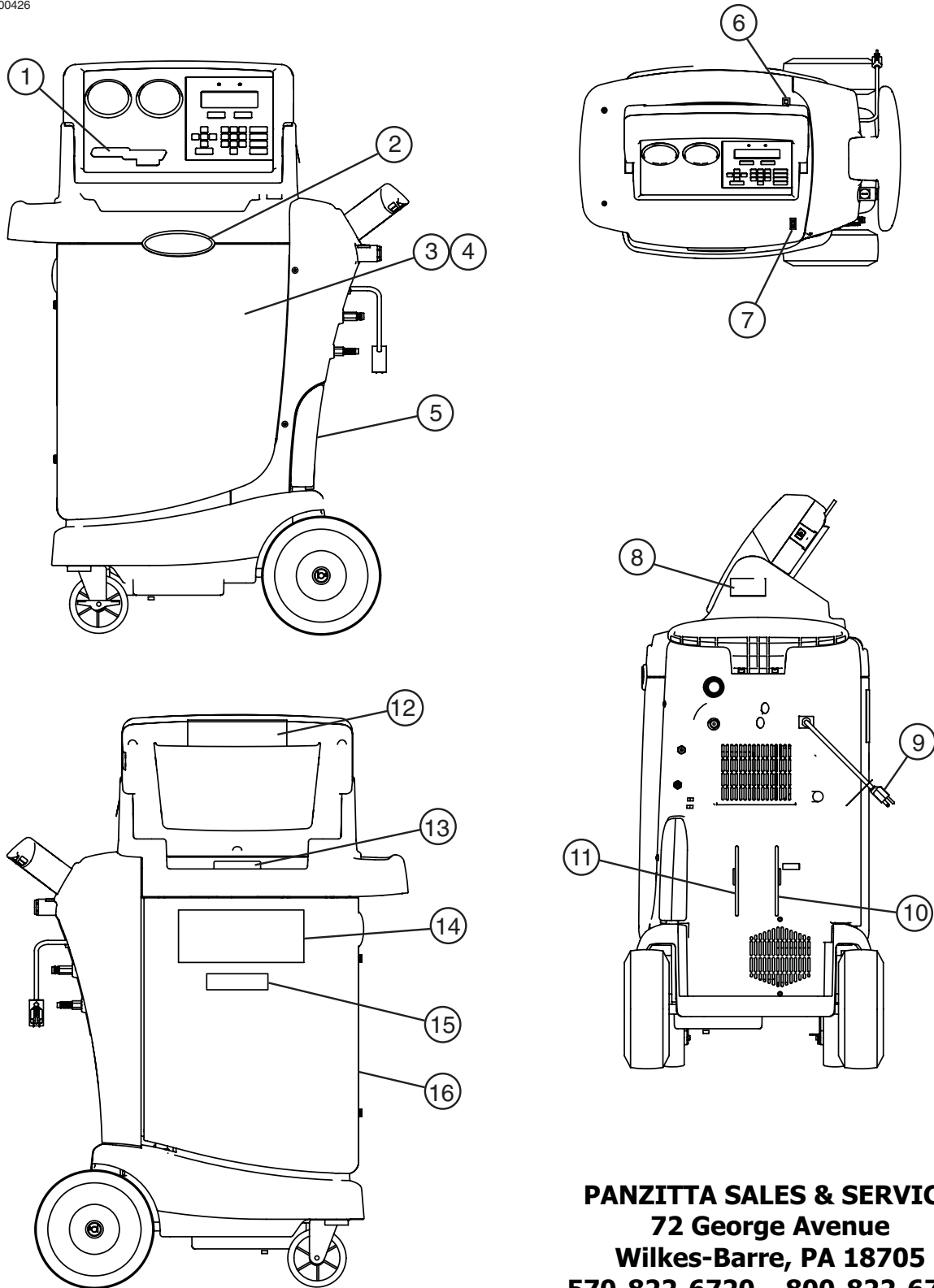
- Added items
- Technical Service bulletin modifications
- Configuration differences
- Optional parts
- Product improvement parts (non service bulletin)

Alpha variant item numbers are not shown on the exploded view when the appearance and location of the alpha variant item is the same as the basic item.

COMPONENT ASSEMBLIES

EXTERNAL ASSEMBLY

ss00426



PANZITTA SALES & SERVICE
72 George Avenue
Wilkes-Barre, PA 18705
570-822-6720 800-822-6720
www.panzittasales.com

Figure 3-1. External Assembly

EXTERNAL ASSEMBLY				
No.	Description	Qty	Part No.	Effectivity
---	UNIT, BASIC, 34788, 115 VAC (DOMESTIC)	---	Ref. Only	A
	UNIT, BASIC, 34788-1, 230 VAC (INT'L ONLY)		Ref. Only	B
	UNIT, CORNWELL, RA-C34788, 115 VAC		Ref. Only	C
	UNIT, MATCO, H234788, 115 VAC		Ref. Only	D
	UNIT, MAC, AC34788, 115 VAC		Ref. Only	E
	UNIT, GENERAL MOTORS, GE-48800, 115 VAC		Ref. Only	F
	UNIT, ROBINAIR, 48920, 115VAC		Ref. Only	G
	UNIT, BASIC, HONDA 48920T		Ref. Only	H
	UNIT, HONDA, 48920U, 115 VAC		Ref. Only	J
	UNIT, ROBINAIR, 34788-H, 115VAC		Ref. Only	K
1	DECAL, 48920 CONTROL BOARD	1	Ref. Only	H, J
2	DECAL, FRONT	1	539901	A, B, F, G, H, J, K
			124244	C
			123867	D
			124241	E
3	FRONT PANEL ASSEMBLY	1	544023	A, B, F, G, K
			544250	C, D, E
			122293	H, J
4	SCREW, ¼ -20 X ¾ INCH	5	121829	
5	BOTTLE, OIL DRAIN	1	17756	A, B, C, D, E, F, G
	BOTTLE, OIL DRAIN	1	121588	H, J, K
6	CIRCUIT BREAKER, 15 AMP	1	518638	A, C, D, E, F, G, H, J, K
	CIRCUIT BREAKER, 7 AMP (INT'L ONLY)		552036	B
7	SWITCH, POWER, DPST (I/O)	1	RA19343	
8	DECAL, 1-800 PHONE NUMBER	1	109076	
9	CABLE, POWER	1	122770	A, C, D, E, F, G, H, J, K
	CABLE, POWER (INT'L ONLY)		545162	B
10	DECAL, SERIAL NUMBER	1	Ref. Only	
11	STRAP, HOOK AND LOOP	1	121925	

EXTERNAL ASSEMBLY				
No.	Description	Qty	Part No.	Effectivity
12	MANUALS, OPERATION	1	539680	A, F
			539602	B
			541844	C
			541846	D
			541845	E
			539602	G
			557701	H, J
			560826	K
13	DECAL, 34724 FILTER REORDER	1	540600	
14	DECAL, UL	1	Ref. Only	
15	DECAL	1	515770	A, C, D, E, F, G, H, J, K
16	DOOR, REAR, SIDEWINDER	1	121575	
EFFECTIVITY: ROBINAIR 34788 ROBINAIR 34788-I CORNWELL RA-C34788 MATCO H234788 MAC AC34788 GENERAL MOTORS GE-48800 ROBINAIR 48920 HONDA 48920T HONDA 48920U ROBINAIR 34788-H				A B C D E F G H J K

PANZITTA SALES & SERVICE
72 George Avenue
Wilkes-Barre, PA 18705
570-822-6720 800-822-6720
www.panzittasales.com

INTERNAL PARTS

ss00130

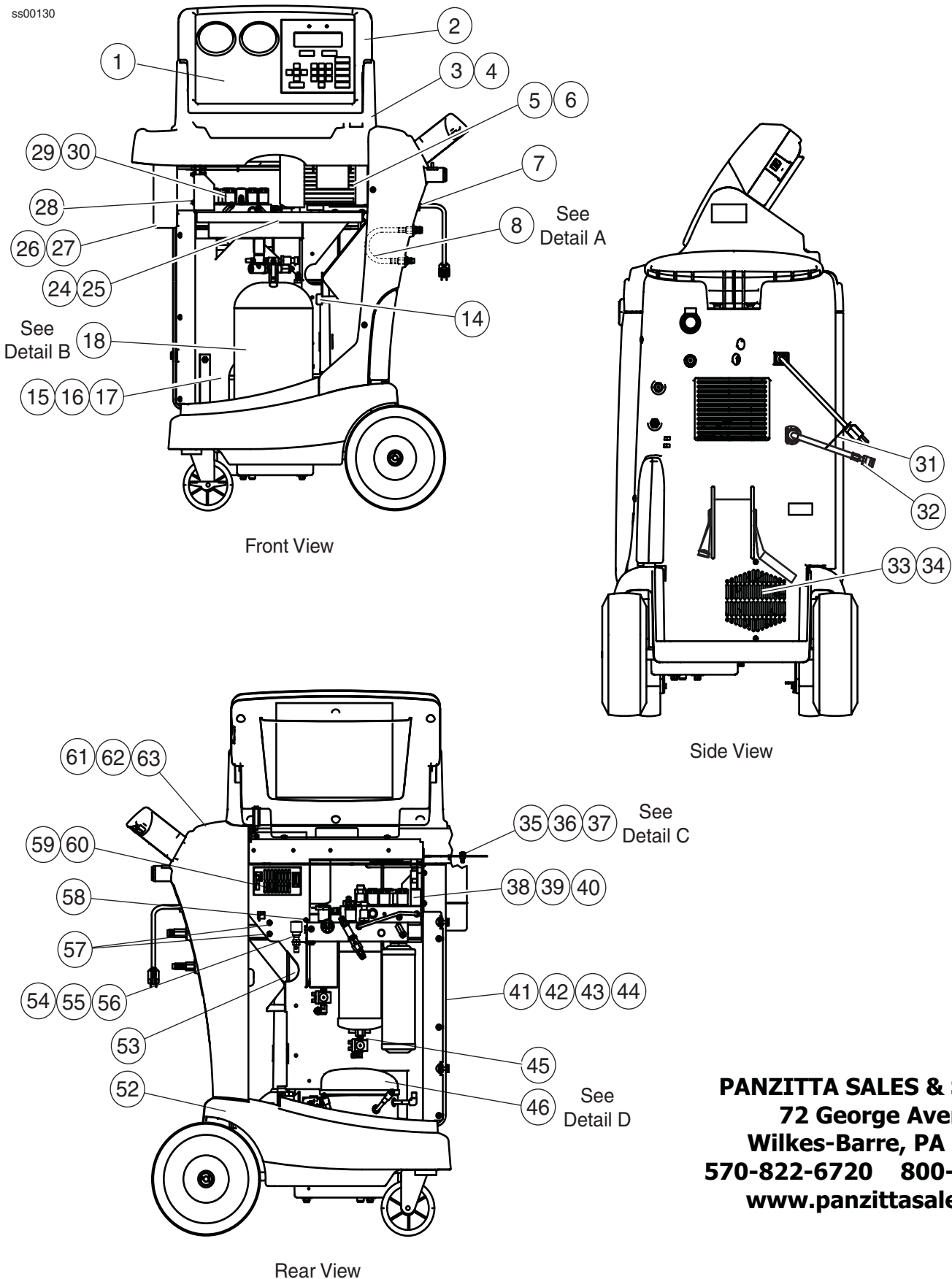
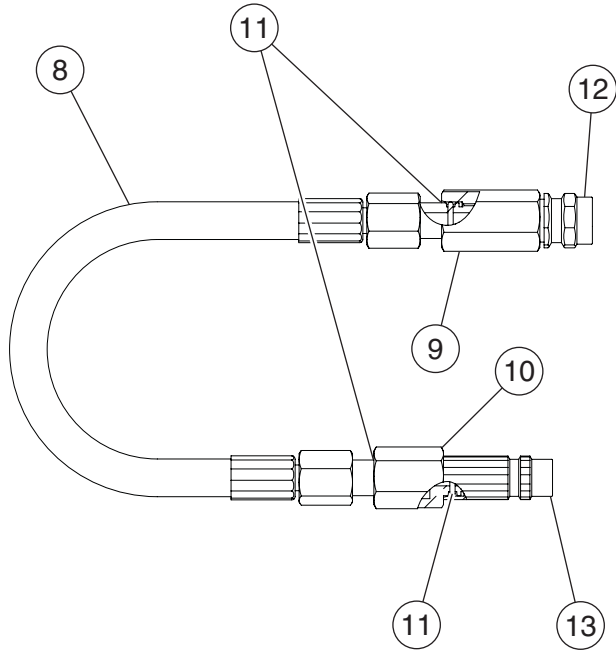


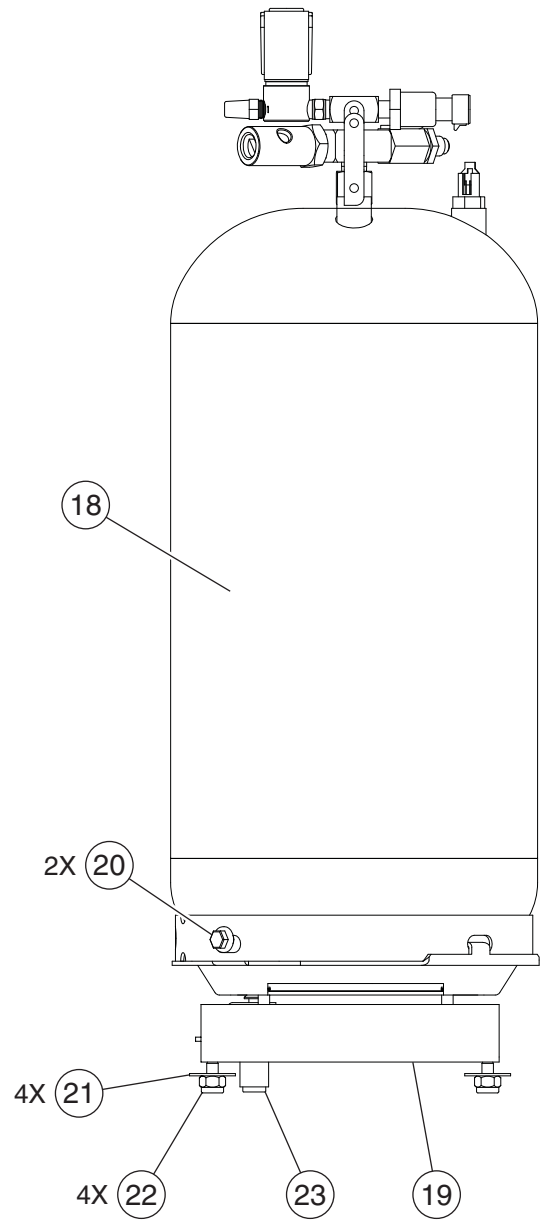
Figure 3-2. Internal Assembly (Sheet 1 of 3)

PANZITTA SALES & SERVICE
72 George Avenue
Wilkes-Barre, PA 18705
570-822-6720 800-822-6720
www.panzittasales.com

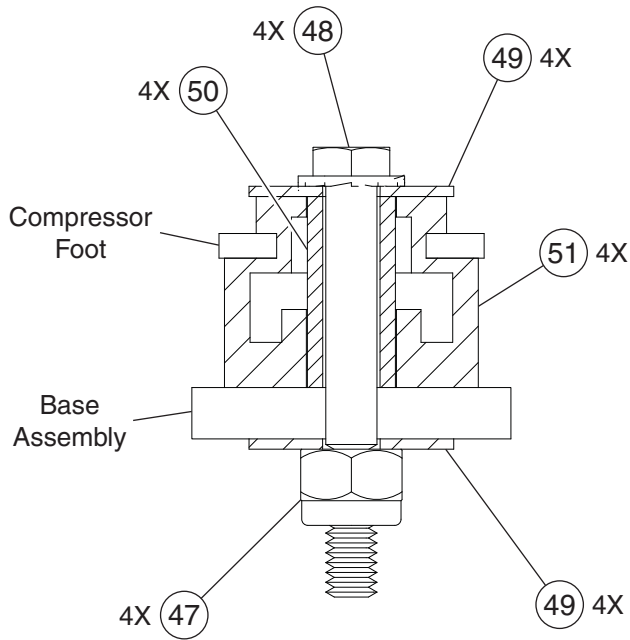
ss00424



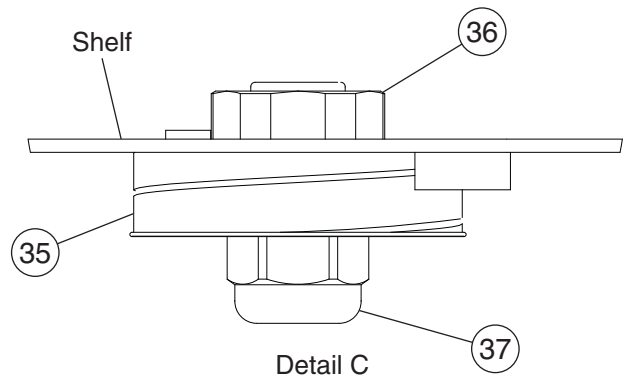
Detail A



Detail B (Typical)



Detail D



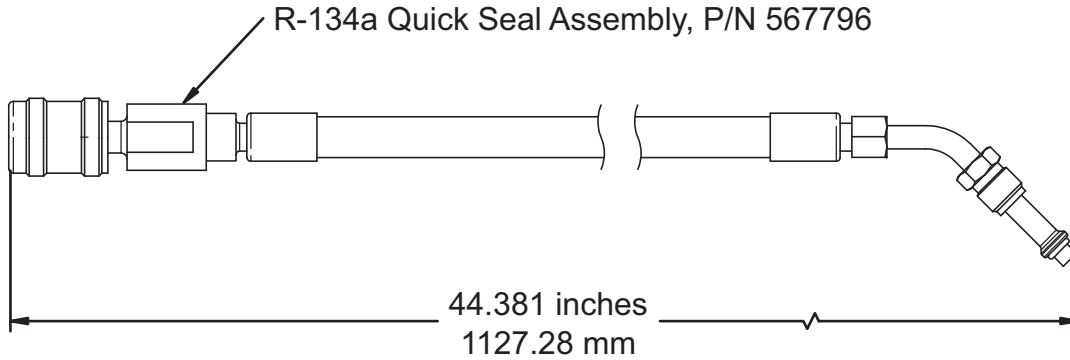
Detail C

Figure 3-2. Internal Assembly (Sheet 2 of 3)

ss01291

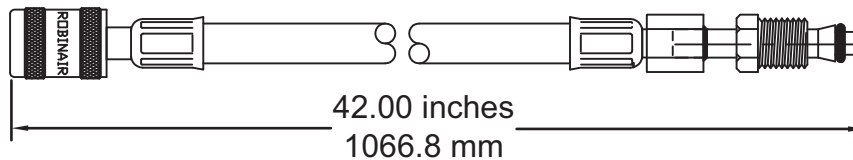
Filtered Tank Fill Hose P/N: 566452

Hose is not reparable, except for filter replacement.



Unfiltered Tank Fill Hose P/N: 539007

Hose is not reparable. Shown here for comparison purposes only.



Detail E

PANZITTA SALES & SERVICE
72 George Avenue
Wilkes-Barre, PA 18705
570-822-6720 800-822-6720
www.panzittasales.com

Figure 3-2. Internal Assembly (Sheet 3 of 3)

INTERNAL ASSEMBLY				
No.	Description	Qty	Part No.	Effectivity
---	UNIT, BASIC, 34788, 115 VAC (DOMESTIC) (SEE FIGURE 3-1 FOR NEXT HIGHER ASSEMBLY.)	---	Ref. Only	A
	UNIT, BASIC, 34788-1, 230 VAC (INT'L ONLY) (SEE FIGURE 3-1 FOR NEXT HIGHER ASSEMBLY.)		Ref. Only	B
	UNIT, CORNWELL, H234788, 115 VAC (SEE FIGURE 3-1 FOR NEXT HIGHER ASSEMBLY.)		Ref. Only	C
	UNIT, MATCO, RA-C34788, 115 VAC (SEE FIGURE 3-1 FOR NEXT HIGHER ASSEMBLY.)		Ref. Only	D
	UNIT, MAC, AC34788, 115 VAC (SEE FIGURE 3-1 FOR NEXT HIGHER ASSEMBLY.)		Ref. Only	E
	UNIT, GENERAL MOTORS, GE-48800, 115 VAC (SEE FIGURE 3-1 FOR NEXT HIGHER ASSEMBLY.)		Ref. Only	F
	UNIT, ROBINAIR, 48920, 115VAC (SEE FIGURE 3-1 FOR NEXT HIGHER ASSEMBLY.)		Ref. Only	G
	UNIT, BASIC, HONDA 48920T (SEE FIGURE 3-1 FOR NEXT HIGHER ASSEMBLY.)		Ref. Only	H
	UNIT, HONDA, 48920U, 115 VAC (SEE FIGURE 3-1 FOR NEXT HIGHER ASSEMBLY.)		Ref. Only	J
	UNIT, ROBINAIR, 34788-H, 115VAC (SEE FIGURE 3-1 FOR NEXT HIGHER ASSEMBLY.)		Ref. Only	K
1	HEAD ASSEMBLY (SEE FIGURE 3-3 FOR BREAKDOWN.)	1	Ref. Only	A, B, F, G
			RA20080	A, B, F, G, K
			Ref. Only	C, D, E
			Ref. Only	H, J
2	ENCLOSURE, HEAD HINGE COVER	2	539025-2	A, B, F, G, H, J, K
			541750-2	C, D, E
3	ENCLOSURE HEAD, SHOULDER	1	539025-1	A, B, F, G, H, J, K
			541750-1	C, D, E
4	SCREW, 1/4-20 X 3/4 INCH	4	121829	

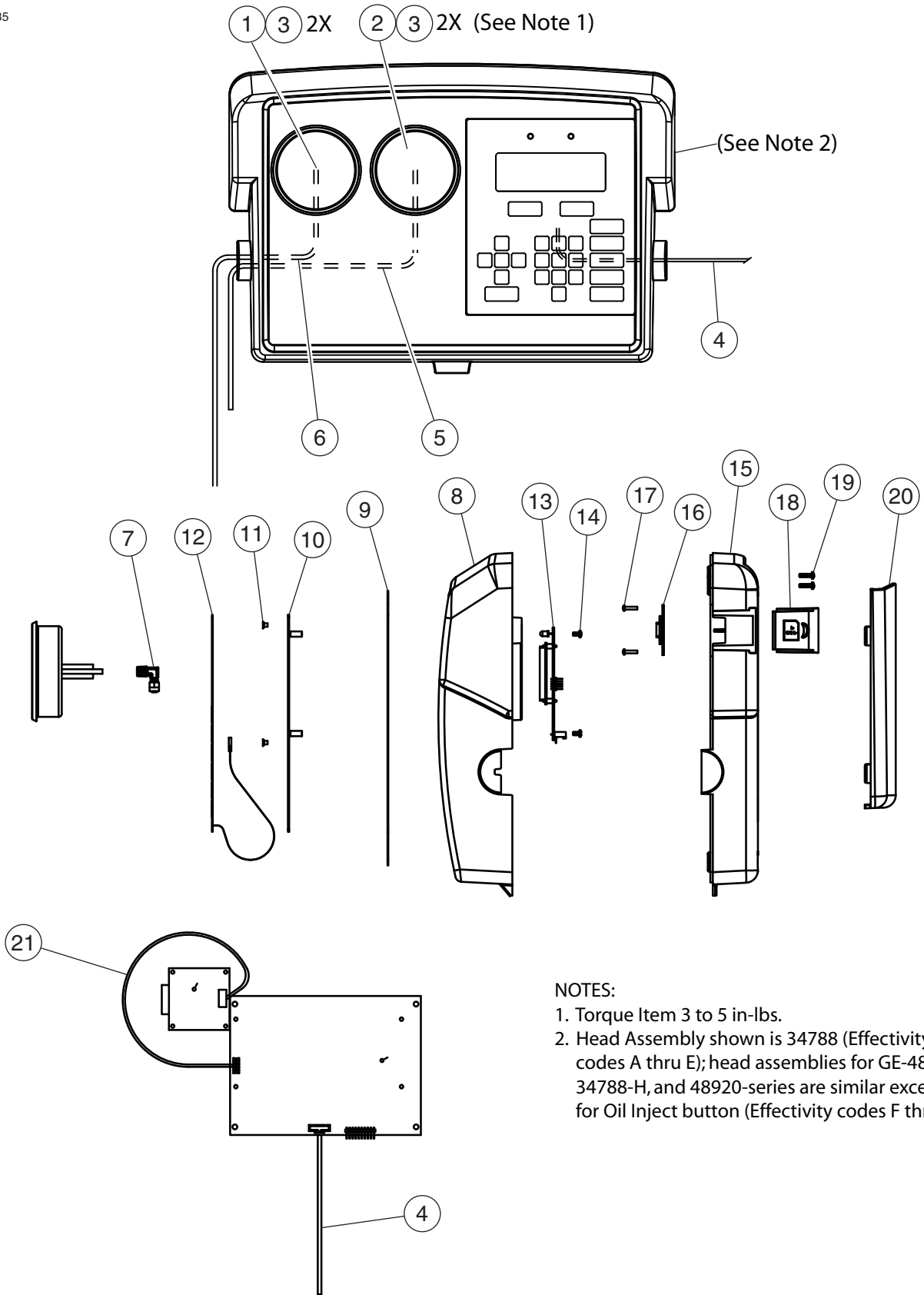
INTERNAL ASSEMBLY				
No.	Description	Qty	Part No.	Effectivity
5	STATION PUMP, 3 CFM, 115V (SEE FIGURE 3-7.)	1	RA20031	A, C, D, E, F, G, H, J, K
	STATION PUMP, 3 CFM, 230V (INT'L ONLY) (SEE FIGURE 3-7.)		RA20075	B
6	SCREW, ¼-20 X 1 INCH	3	Ref. Only	
7	BUSHING, HEYCO	1	100385	
8	HOSE, FLUSHING (SEE DETAIL A)	1	546946	
DETAIL A (ITEMS 9 THROUGH 13)				
9	FITTING, SPECIAL	1	546871	
10	FITTING, SPECIAL	1	546872	
11	O-RING	3	10267	
12	FITTING, R134A, HIGH SIDE	1	546882	
13	FITTING, R134A, LOW SIDE	1	546883	
END DETAIL A				
14	RUBBER BUMPER	1	122256	
15	SCREW, PLASTITE, ¼ X ¾ INCH	1	123497	
16	CENTER DIVIDER	1	545312	
17	SCREW, PLASTITE, ¼ X ¾ INCH	7	123497	
18	ISV ASSEMBLY (SEE FIGURE 3-4 FOR BREAKDOWN.)	1	Ref. Only	A, C, D, E, F, G, H, J, K
	ISV ASSEMBLY (SEE FIGURE 3-5 FOR BREAKDOWN.)			B
DETAIL B (ITEMS 19 THROUGH 23)				
19	SCALE ASSEMBLY	1	RA20002	
20	BOLT, SERRATED HD, ¼-20 X ½ INCH	2	122255	
21	WASHER, FENDER, ¼ INCH ID	4	Ref. Only	
22	LOCKNUT, ¼-20	4	Ref. Only	
23	MAGNET	1	539903	
END DETAIL B				
24	SHELF, VACUUM PUMP	1	545466	
25	SCREW, PLASTITE, ¼ X ¾ INCH	2	123497	
26	BOTTLE, OIL INJECT	1	115642	A, B, C, D, E
27	O-RING	1	112699	A, B, C, D, E
28	NUT, 8-32 SEMS	2	112414	
29	PCB ASSEMBLY, RELAY BOARD	1	RA20070	
			RA20013	OBSOLETE
30	SCREW, 6-32 X 1/4 INCH	4	Ref. Only	

INTERNAL ASSEMBLY				
No.	Description	Qty	Part No.	Effectivity
31	TAG, POWER CABLE	1	112661	
32	HOSE, TANK FILL (FILTERED) SEE DETAIL E FOR COMPARISON TO 539007 AND FILTER PART NUMBER.)	1	566452	
	HOSE, TANK FILL (UNFILTERED) (SEE DETAIL E FOR COMPARISON TO 566452.)	1	539007	
33	FAN ASSEMBLY, 115V	1	RA17416	A, C, D, E, F, G, H, J, K
	FAN ASSEMBLY, 230V (INT'L ONLY)		RA17516	B
34	SCREW, 10-16 X 3/4 INCH	2	122257	
DETAIL C (ITEMS 35 THROUGH 37)				
35	CAP, METAL, DRILLED, 38MM	1	RA19914	A, B, C, D, E
36	NUT, NYLON (PART OF RA19914)	1	522722	A, B, C, D, E
37	FITTING, STRAIGHT THROUGH	1	123616	A, B, C, D, E
END DETAIL C				
38	MANIFOLD ASSEMBLY (SEE FIG- URE 3-6 FOR BREAKDOWN.)	1	RA20018	A, B, C, D, E
	MANIFOLD ASSEMBLY (SEE FIG- URE 3-6 FOR BREAKDOWN.) (EAR- LIER VERSION OF RA20018.)		530052	A, B, C, D, E
	MANIFOLD ASSEMBLY (SEE FIG- URE 3-6 FOR BREAKDOWN.)		Ref. Only	F, G
	MANIFOLD ASSEMBLY (SEE FIG- URE 3-6 FOR BREAKDOWN.)		557696	H, J, K
39	SCREW, 1/4-20 X 3-1/2 INCH	1	Ref. Only	
40	SCREW, 1/4 X 1/2 INCH	1	109556	
41	DOOR LATCH KIT (CONTAINS ITEMS 42, 43, 44.) (PART OF RA19916 FAS- TENER AND SEAL KIT.)	2	RA19632	
42	RETAINER, DOOR LATCH (PART OF RA19632)	2	Ref. Only	
43	RECEPTACLE, DOOR LATCH (PART OF RA19632)	2	Ref. Only	
44	LATCH, DOOR (PART OF RA19632)	2	Ref. Only	
45	INSERT, DIE-CUT FOAM	1	541742	
46	COMPRESSOR ASSEMBLY, 115V (SEE FIGURE 3-8.)	1	RA20020	A, C, D, E, F, G, H, J, K
	COMPRESSOR ASSEMBLY, 230V (INT'L ONLY) (SEE FIGURE 3-8.)		RA20076	B

INTERNAL ASSEMBLY				
No.	Description	Qty	Part No.	Effectivity
DETAIL D (ITEMS 38 THROUGH 42)				
47	LOCKNUT, ¼-20	4	Ref. Only	
48	BOLT, SERRATED HD, ¼-20 X 2-INCH	4	119105	
49	WASHER, FENDER, ¼ INCH ID	8	Ref. Only	
50	SLEEVE, COMPRESSOR (PART OF RA20020 AND RA20076.)	4	Ref. Only	
51	GROMMET, COMPRESSOR (PART OF RA20020 AND RA20076.)	4	Ref. Only	
END DETAIL D				
52	BASE ASSEMBLY (SEE FIGURE 9 FOR BREAKDOWN.)	1	544094	
53	EDGE TRIM, RUBBER	A/R	Ref. Only	
54	SENSOR ASSEMBLY	1	RA20086	H, J
55	BRACKET (PART OF RA20086.)	1	Ref. Only	H, J
56	NUT, 1/4 FLARE	1	113564	
57	NUT, 8-32 SEMS	2	112414	
58	SCREW, 8-32 X 3/8 INCH SEMS	1	514514	
59	POWER SUPPLY, 12 VOLT	1	RA20014	
60	SCREW, SOCKET HEAD CAP M3.5 X 5	4	RS-9100	
61	SIDE SUPPORT ASSEMBLY	1	546620	
62	SCREW, PLASTITE, ¼ X ¾ INCH	7	121829	
63	WASHER, FLAT ¼ INCH	7	12719	
EFFECTIVITY: ROBINAIR 34788 ROBINAIR 34788-I CORNWELL RA-C34788 MATCO H234788 MAC AC34788 GENERAL MOTORS GE-48800 ROBINAIR 48920 HONDA 48920T HONDA 48920U ROBINAIR 34788-H				A B C D E F G H J K

HEAD ASSEMBLY

ss00135



NOTES:

1. Torque Item 3 to 5 in-lbs.
2. Head Assembly shown is 34788 (Effectivity codes A thru E); head assemblies for GE-48800, 34788-H, and 48920-series are similar except for Oil Inject button (Effectivity codes F thru J).

Figure 3-3. Head Assembly

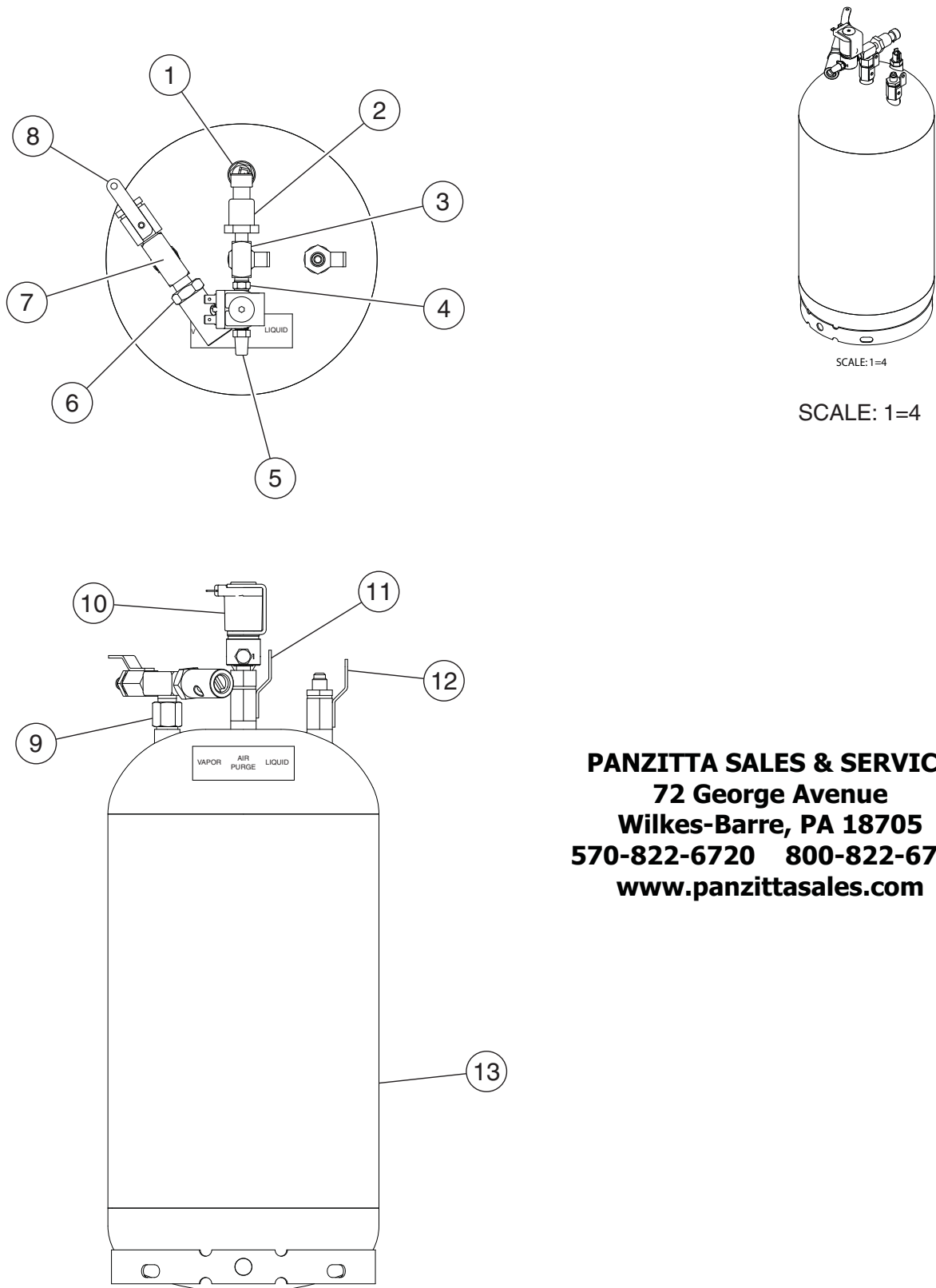
HEAD ASSEMBLY				
No.	Description	Qty	Part No.	Effectivity
---	HEAD ASSEMBLY, BASIC (SEE FIGURE 3-2 FOR NEXT HIGHER ASSEMBLY.)	---	RA20080	A, B, F, G, K
	HEAD ASSEMBLY, BRANDED (SEE FIGURE 3-2 FOR NEXT HIGHER ASSEMBLY.)		Ref. Only	C, D, E
	HEAD ASSEMBLY, 48920T AND 48920U (SEE FIGURE 3-2 FOR NEXT HIGHER ASSEMBLY.)		Ref. Only	H, J
1	GAUGE, LOW SIDE	1	RA19786	
2	GAUGE, HIGH SIDE	1	RA19787	
3	NUT, HEX, 10-32, SEMS	4	112415	
4	CABLE, INTERCONNECT	1	539995	
5	TUBE, 1/8 INCH RED, 4 FEET LONG	1	RA20003	
6	TUBE, 1/8 INCH BLUE, 4 FEET LONG	1	RA20004	
7	ELBOW, 1/8 MP X 1/8 INCH PNEUMATIC	2	123928	
8	ENCLOSURE, SWIVEL TOP, FRONT	1	539024-1	A, B, F, G, H, J, K
	ENCLOSURE, SWIVEL TOP, FRONT, RED		541749-1	C, D, E
9	DECAL, OVERLAY	1	539880	
10	BEZEL (PART OF RA20001.)	1	539618	
11	SCREW, MACH, 6-32 X 3/16 INCH	6	515022	
12	KEYPAD (RA20001 SHOWN)	1	RA20001	A, B, C, D, E, F, G, K
			557635	H, J
13	PCB ASSEMBLY, DISPLAY/CONTROL BOARD	1	RA20012	A, B, C, D, E, F, G, K
			539665	H, J
14	SCREW, 6-32 X 3/8 INCH	4	Ref. Only	
15	ENCLOSURE, SWIVEL TOP, BACK	1	539024-2	A, B, F, G, H, J, K
	ENCLOSURE, SWIVEL TOP, BACK, RED		541749-2	C, D, E
16	PCB ASSEMBLY, SD CARD, NGEN RRR	1	539649	
17	SCREW, THD FORM, 1/4-20 X 1/2 INCH PHD, PH	4	231728	

HEAD ASSEMBLY				
No.	Description	Qty	Part No.	Effectivity
18	ENCLOSURE, SWIVEL, TOP, SIDE COVER	1	539024-3	A, B, F, G, H, J, K
	ENCLOSURE, SWIVEL, TOP, SIDE COVER, RED		541749-3	C, D, E
19	SCREW, 6-19 X ½ EH TORX PLAS-TITE	6	121711	
20	ENCLOSURE, SWIVEL TOP, POCKET	1	539024-4	A, B, F, G, H, J, K
	ENCLOSURE, SWIVEL TOP, POCKET, RED		541749-4	C, D, E
21	CABLE, SD BOARD	1	539996	
22	STA-STRAP, 3-3/4"X3/32" WIDE	3	109695	
23	DECAL, CONTROL PANEL, 34788	1	540072	A
	DECAL, CONTROL PANEL, 34788-I		552110	B
	DECAL, CONTROL PANEL, MAC AC34788		541851	E
	DECAL, CONTROL PANEL, GE-48800		546987	F
	DECAL, CONTROL PANEL, 48920		Ref. Only	G, H, J, K
EFFECTIVITY: ROBINAIR 34788 ROBINAIR 34788-I CORNWELL RA-C34788 MATCO H234788 MAC AC34788 GENERAL MOTORS GE-48800 ROBINAIR 48920 HONDA 48920T HONDA 48920U ROBINAIR 34788-H				A B C D E F G H J K

PANZITTA SALES & SERVICE
72 George Avenue
Wilkes-Barre, PA 18705
570-822-6720 800-822-6720
www.panzittasales.com

ISV ASSEMBLY (DOMESTIC)

ss00136



PANZITTA SALES & SERVICE
72 George Avenue
Wilkes-Barre, PA 18705
570-822-6720 800-822-6720
www.panzittasales.com

Figure 3-4. ISV Assembly Domestic

ISV ASSEMBLY, DOMESTIC				
No.	Description	Qty	Part No.	Effectivity
---	ISV ASSEMBLY, DOMESTIC (SEE FIGURE 3-2 FOR NEXT HIGHER ASSEMBLY.)	---	Ref. Only	All Domestic Models
1	TEMPERATURE PROBE	1	539472	
2	TRANSDUCER, AIR PURGE	1	RA20067	
3	TEE, MALE BRANCH 1/8 NPTF	1	539654	
4	ORIFICE, UNION, .026	1	539804	
5	MUFFLER, AIR EXHAUST	1	519605	
6	PRESSURE RELIEF, 450PSI	1	RA20079	
7	FITTING, TEE, .25FP X .25FP X .25MP	1	508690	
8	VALVE, BALL	1	540322	
9	FITTING, STRAIGHT	1	210312	
10	SOLENOID, 12VDC, DISCRETE	1	RA20009	
11	VALVE, BALL	1	539799	
12	VALVE, BALL	1	539798	
13	TANK, ISV	1	539477	

PANZITTA SALES & SERVICE
72 George Avenue
Wilkes-Barre, PA 18705
570-822-6720 800-822-6720
www.panzittasales.com

ISV ASSEMBLY (INT'L)

SS00440

1

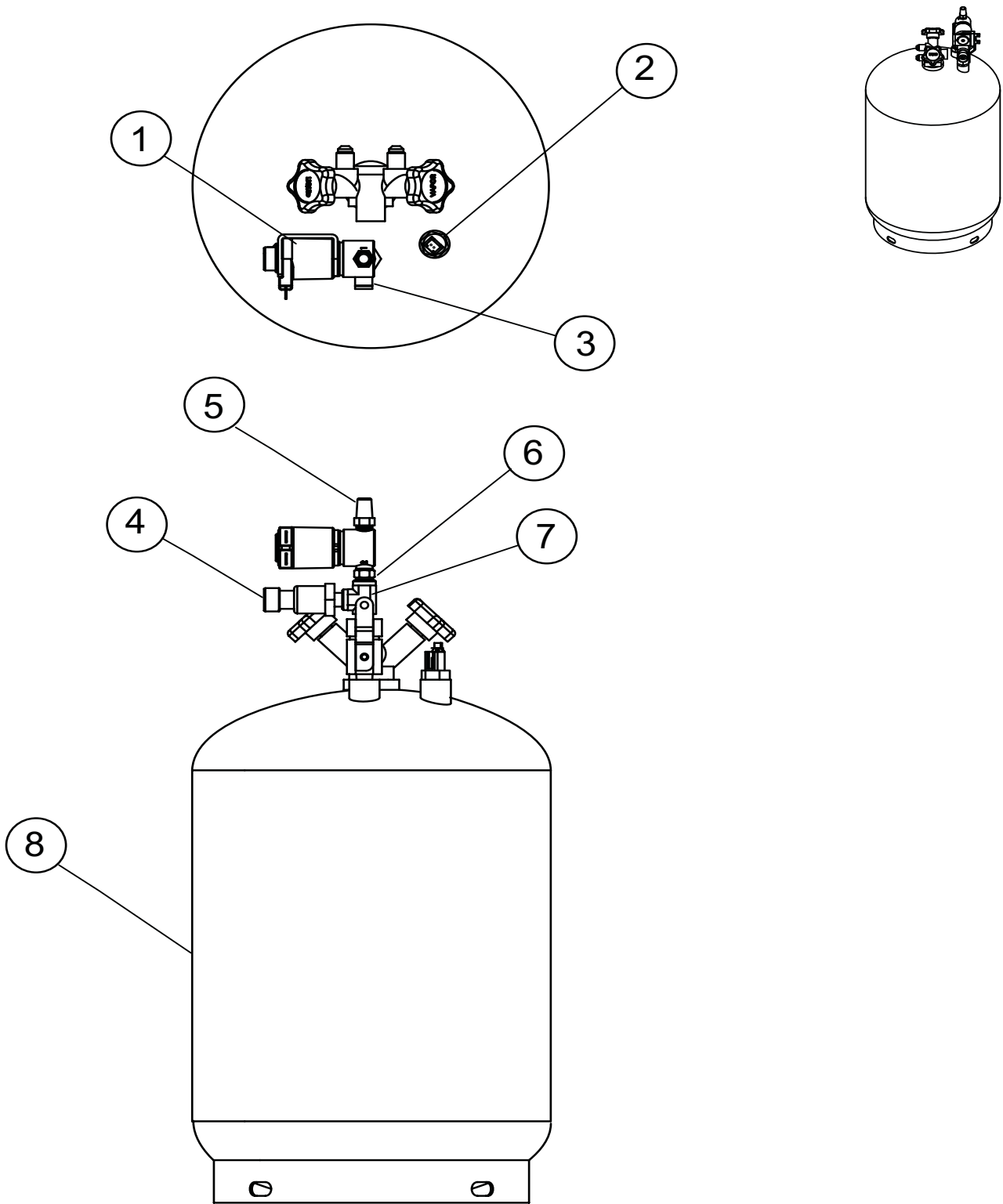
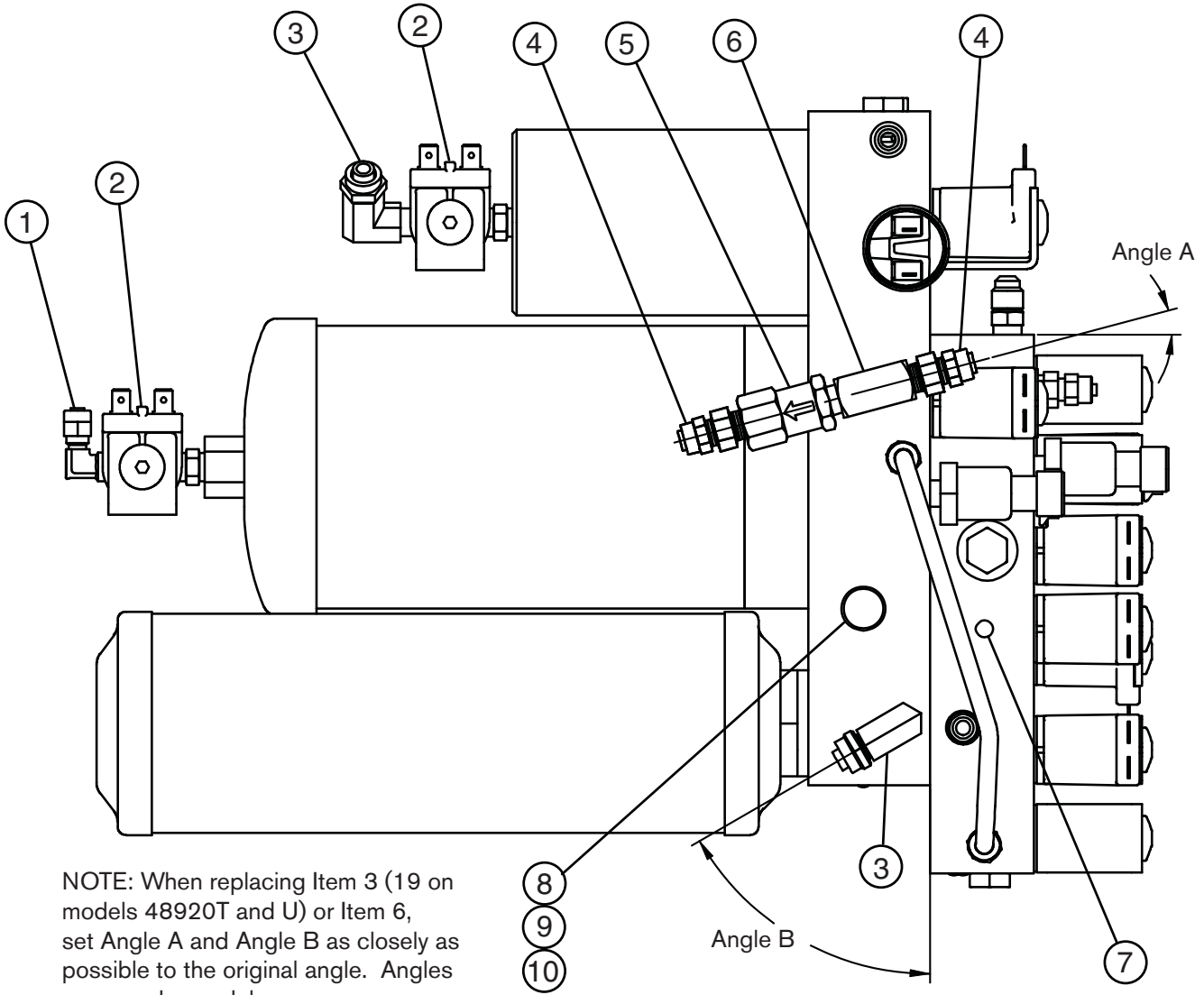


Figure 3-5. ISV Assembly (Int'l)

ISV ASSEMBLY, INTERNATIONAL				
No.	Description	Qty	Part No.	Effectivity
---	ISV ASSEMBLY, INT'L (SEE FIGURE 3-2 FOR NEXT HIGHER ASSEMBLY.)	---	Ref. Only	All Int'l Models
1	SOLENOID, 12VDC, DISCRETE	1	RA20009	
2	TEMPERATURE PROBE	1	539472	
3	VALVE, BALL	1	544672	
4	TRANSDUCER, AIR PURGE	1	RA20067	
5	MUFFLER, AIR EXHAUST	1	519605	
6	ORIFICE, UNION, .026	1	539804	
7	FITTING, TEE, 1/8FP X 1/8FP X 1/8MP	1	508690	
8	TANK, ISV	1	543184	

MANIFOLD ASSEMBLY

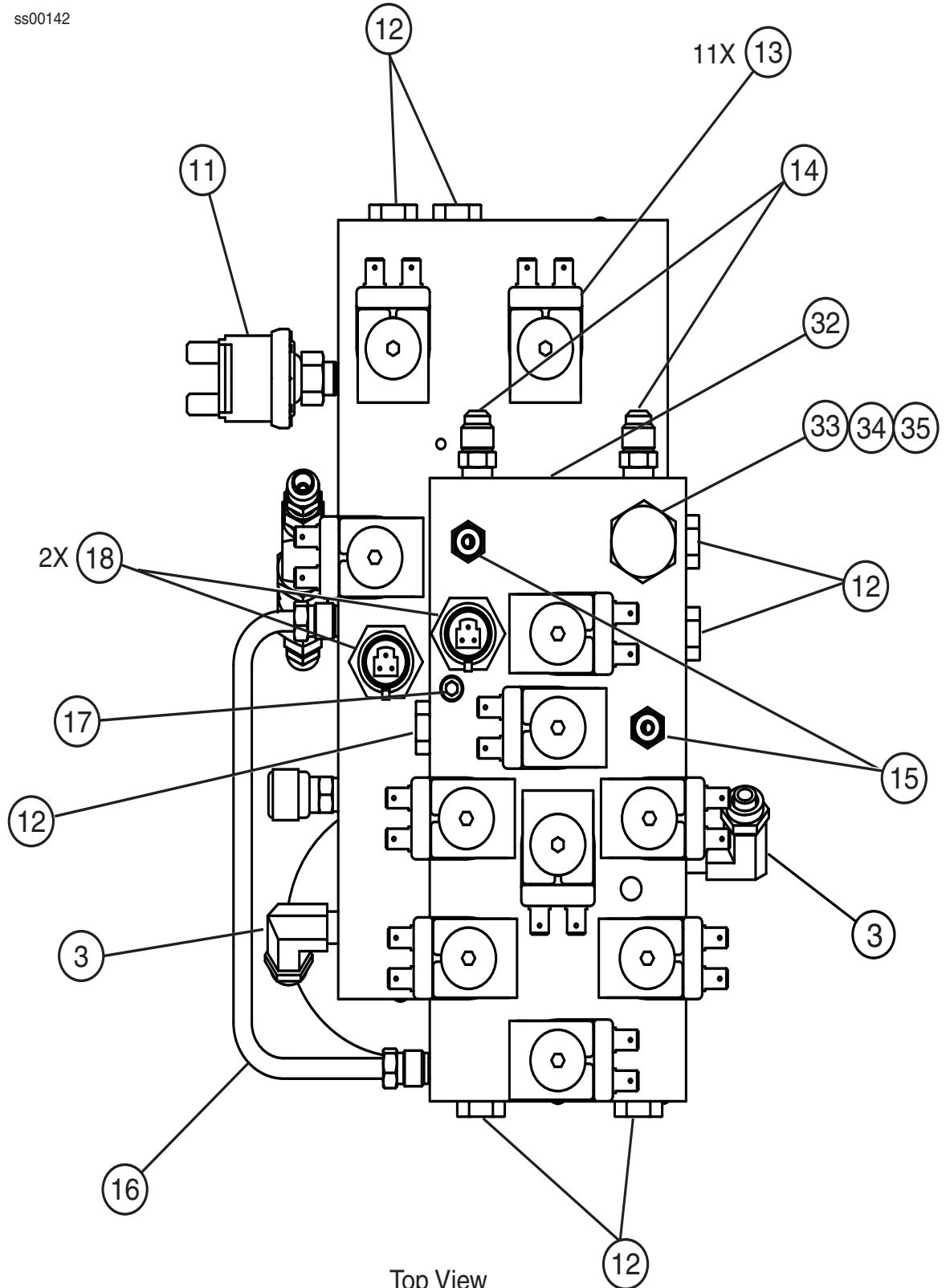
ss00437



NOTE: When replacing Item 3 (19 on models 48920T and U) or Item 6, set Angle A and Angle B as closely as possible to the original angle. Angles may vary by model.

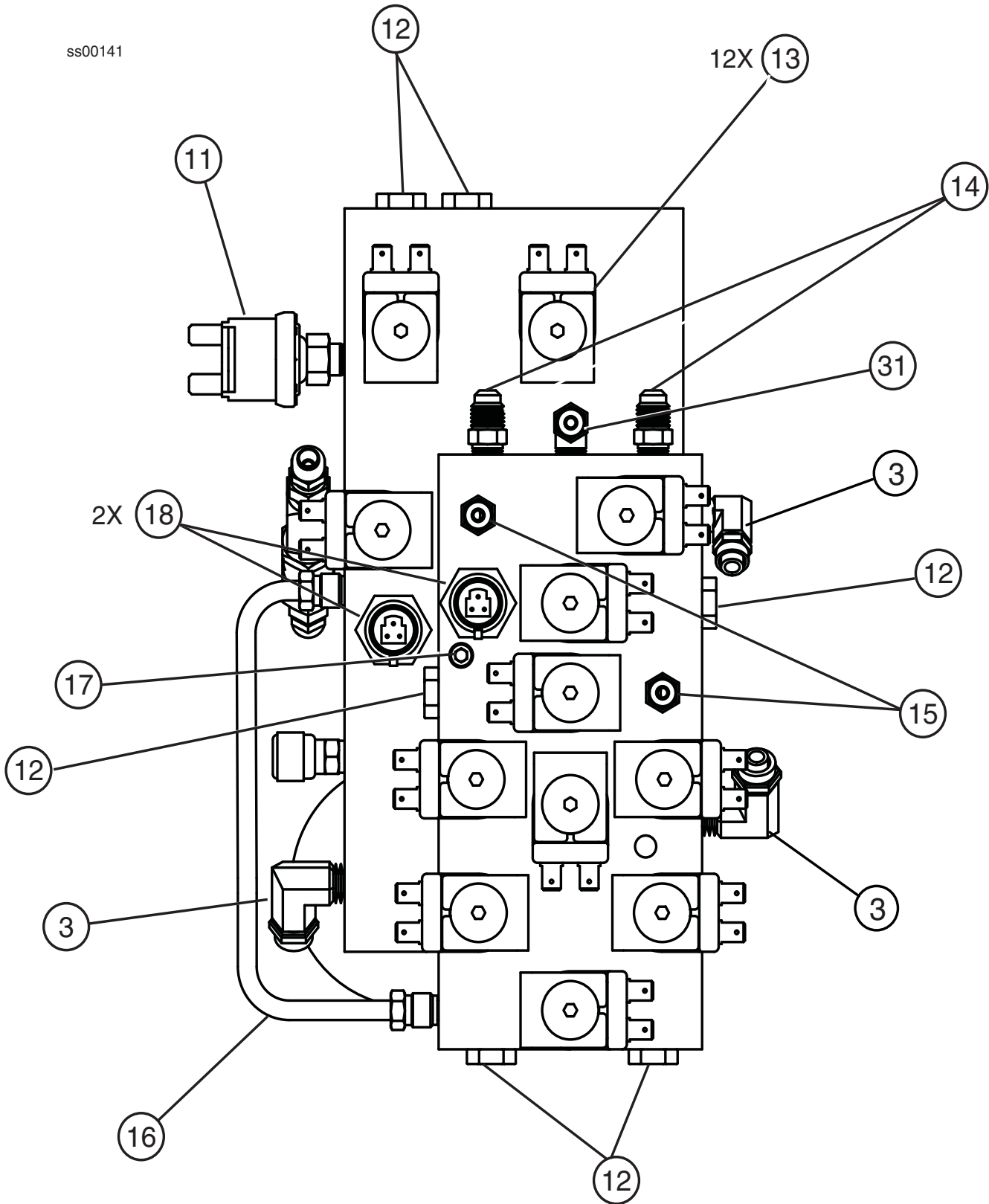
Figure 3-6. Manifold Assembly (Sheet 1 of 5)

ss00142



Top View
 (GE-48800, 34788-H, and Robinair 48920)
Figure 3-6. Manifold Assembly (Sheet 2 of 5)

ss00141

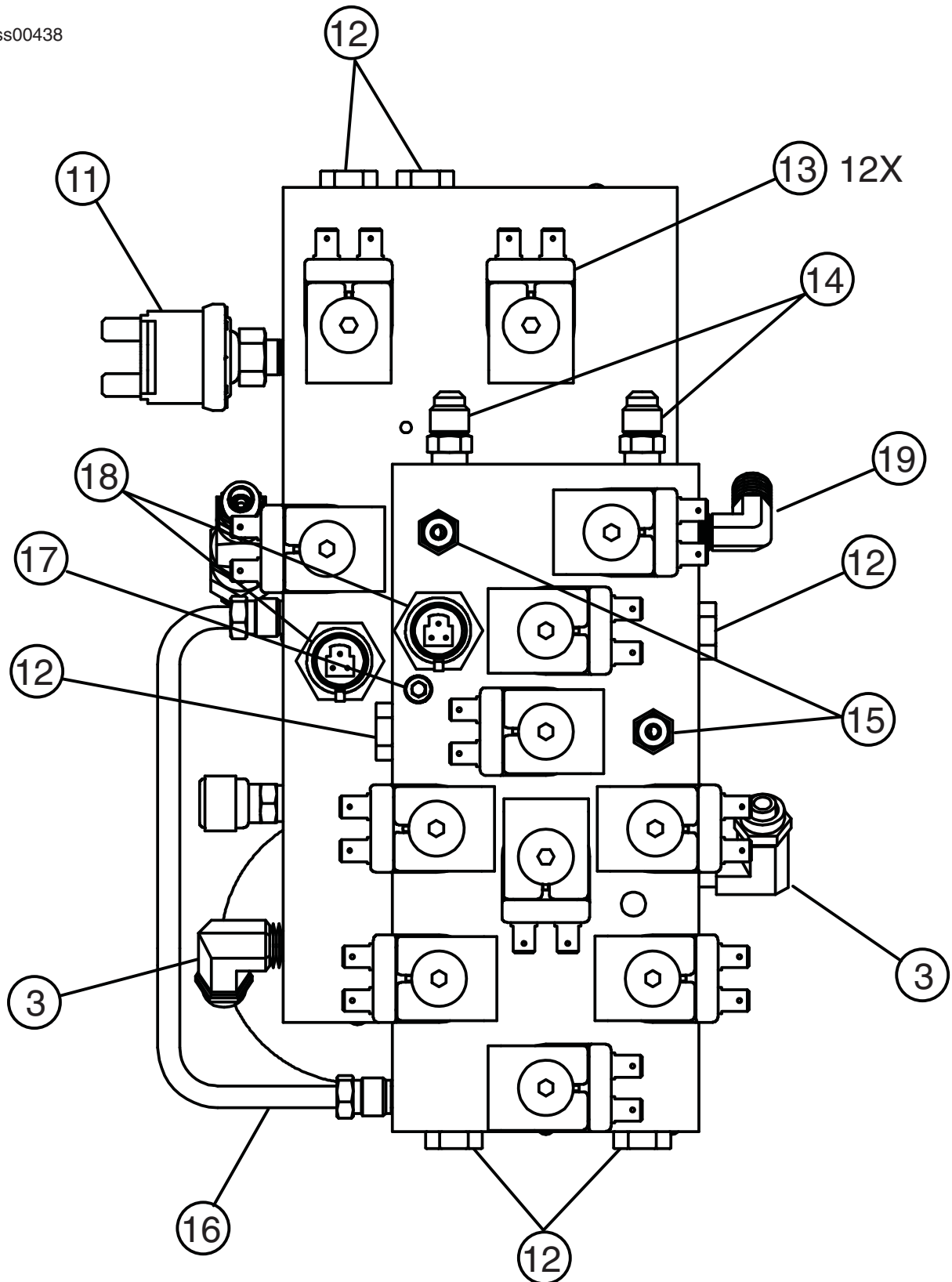


Top View

(Robinair 34788, 34788-I, Cornwell H234788,
MATCO RA-C34788, and MAC AC34788)

Figure 3-6. Manifold Assembly (Sheet 3 of 5)

ss00438



Top View
(Honda 48920T and 48920U)

Figure 3-6. Manifold Assembly (Sheet 4 of 5)

ss00439

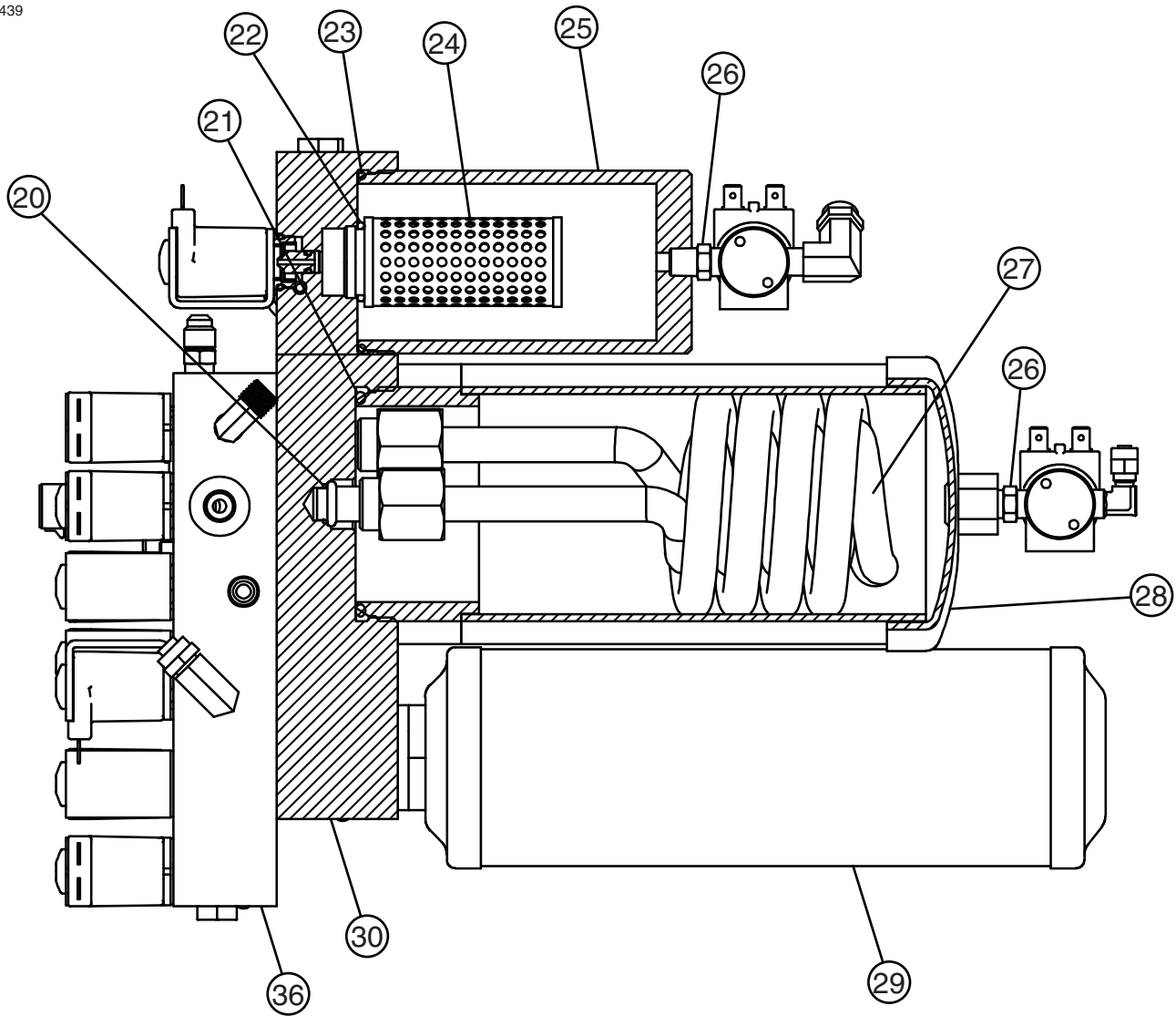


Figure 3-6. Manifold Assembly (Sheet 5 of 5)

PANZITTA SALES & SERVICE
72 George Avenue
Wilkes-Barre, PA 18705
570-822-6720 800-822-6720
www.panzittasales.com

MANIFOLD ASSEMBLY				
No.	Description	Qty	Part No.	Effectivity
---	MANIFOLD ASSEMBLY (SEE FIGURE 3-2 FOR NEXT HIGHER ASSEMBLY.)	---	RA20018	A, B, C, D, E
	MANIFOLD ASSEMBLY (SEE FIGURE 3-2 FOR NEXT HIGHER ASSEMBLY.)		530052	A, B, C, D, E
	MANIFOLD ASSEMBLY (SEE FIGURE 3-2 FOR NEXT HIGHER ASSEMBLY.) NOTE: MANIFOLD NO LONGER AVAILABLE. NOT USED AFTER 11-1-2008.		Ref. Only	F, G, K
	MANIFOLD ASSEMBLY (SEE FIGURE 3-2 FOR NEXT HIGHER ASSEMBLY.) NOTE: USED AFTER 11-1-2008.		546621	F, G, K
	MANIFOLD ASSEMBLY, 48920T (SEE FIGURE 3-2 FOR NEXT HIGHER ASSEMBLY.)		557696	H,J
1	ELBOW, 1/8 MP X1/8 PNEUMATIC (SEE NOTE F.)	1	123928	
2	SOLENOID, 12VDC, DISCRETE (S13 AND S14)	2	RA20009	
3	ELBOW, COMPRESSION, 1/8 MP X 3/8 INCH PNEUMATIC (SEE NOTE F.)	3	122950	
4	FITTING, COMPRESSION, 1/8 NPT X 1/4 INCH (SEE NOTE F.)	2	122917	
5	VALVE, CHECK (SEE NOTE E.)	1	RA20015	
6	TEE, MALE BRANCH, 1/8 NPTF(SEE NOTE F.)	1	539654	
7	BALL, MANIFOLD PLUG (NOT SHOWN.)	5	Ref. Only	
8	CAP, 1/4 INCH FLARE W/O-RING(SEE NOTES F AND G.)	1	111098	
9	VALVE CORE, SCHRADER (SEE NOTE A.) (PART OF RA19916)	1	Ref. Only	
10	FITTING, 1/4 MFL X 1/8 NPTF(SEE NOTE F.)	1	100272	
11	SWITCH, HIGH PRESSURE CUT-OUT	1	RA19427	
12	VALVE, CHECK (75 IN-LB) (SEE NOTE F.)	7	RA20016	A, B, C, D, E
		6		F, G, H, J, K

MANIFOLD ASSEMBLY				
No.	Description	Qty	Part No.	Effectivity
13	SOLENOID, 12VDC, MANIFOLD (SEE NOTE D.) (S1 THRU S12)	12	RA20010	A, B, C, D, E, H, J
	SOLENOID, 12VDC, MANIFOLD (SEE NOTE D.) (S1, S2 AND S4 THRU S12)	11	RA20010	F, G, K
14	FITTING, HALF UNION, .12 MP X .25 FL(SEE NOTE F.)	2	100740	
15	CONNECTOR, 1/8 NPTF X 1/8 PNEUMATIC (SEE NOTE F.)	2	121771	
16	TUBE, MANIFOLD CONNECTOR (SEE NOTE C.)	1	537991	
17	SCREW, SOCKET HEAD (SEE NOTE B.)	1	10001	
18	ACCUMULATOR TRANSDUCER	2	RA20066	
19	ELBOW, COMPRESSION, 1/8 NPTF X ¼ INCH (ON UNITS BUILT PRIOR TO 11-1-2008 WITH OIL INJECT.)	1	119984	A, B, C, D, E, H, J
20	O-RING (SEE NOTE H.)	2	18190	
21	O-RING, CO873 2-240 (SEE NOTE G.)	1	539668	
22	O-RING, PARKER P/N SB17-119-7N (SEE NOTE G.)	1	123785	
23	O-RING, PARKER P/N SB17-143-7N (SEE NOTE G.)	1	123786	
24	FILTER ELEMENT, COALESCING	1	123787	
25	BOWL, OIL SEPARATOR (SEE NOTE A.)	1	Ref. Only	
26	UNION, 1/8 MP X 1/8MP X .97(SEE NOTE F.)	2	101307	
27	EXCHANGER, HEAT	1	523477	
28	SHELL, ACCUMULATOR	1	Ref. Only	
29	FILTER DRIER, SPIN ON	1	34724	
30	MANIFOLD BLOCK, LOWER	1	Ref. Only	
31	ELBOW, COMPRESSION, 1/8 NPT X 1/4	1	539544	A. B, C, D, E
32	PLUG, 1/8-27 NPTF SOCKET HD (SEE NOTE F.) NOT SHOWN. (NON-OIL INJECT UNITS ONLY.)	1	Ref. Only	F, G, H, J, K
33	PLUG (NON-OIL INJECT UNITS ONLY.)	1	546609	F, G, H, J, K

MANIFOLD ASSEMBLY				
No.	Description	Qty	Part No.	Effectivity
34	O-RING 016-NITRILE-70 (SEE NOTE G.) NOT SHOWN. (NON-OIL INJECT UNITS ONLY.)	1	10302	F, G, H, J, K
35	O-RING 008 NITRILE-70 DUR (SEE NOTE G.) NOT SHOWN. (NON-OIL INJECT UNITS ONLY.)	1	10265	F, G, H, J, K
36	MANIFOLD BLOCK, TOP	1	Ref. Only	
EFFECTIVITY: ROBINAIR 34788 ROBINAIR 34788-I CORNWELL RA-C34788 MATCO H234788 MAC AC34788 GENERAL MOTORS GE-48800 ROBINAIR 48920 HONDA 48920T HONDA 48920U ROBINAIR 34788-H				A B C D E F G H J K

MANIFOLD ASSEMBLY NOTES

- A. Torque Schrader valve core (item 14) and Oil Bowl Separator (item 25) to 1.5-3.0 IN-LB.
- B. Torque to 30 IN-LB.
- C. Apply Loctite 242 to threads of Manifold Connection Tube (item 16), then torque to 75 IN-LB.
- D. Torque Manifold Solenoids (item 13) to manifold at 75 (\pm 5) IN-LB.
- E. Torque Check Valve (item 12) to 75 (\pm 5) IN-LB; 6-places.
- F. Apply Loctite 565 on all pipe threads.
- G. Lubricate all O-rings on components before assembly.

VACUUM PUMP

ss00138

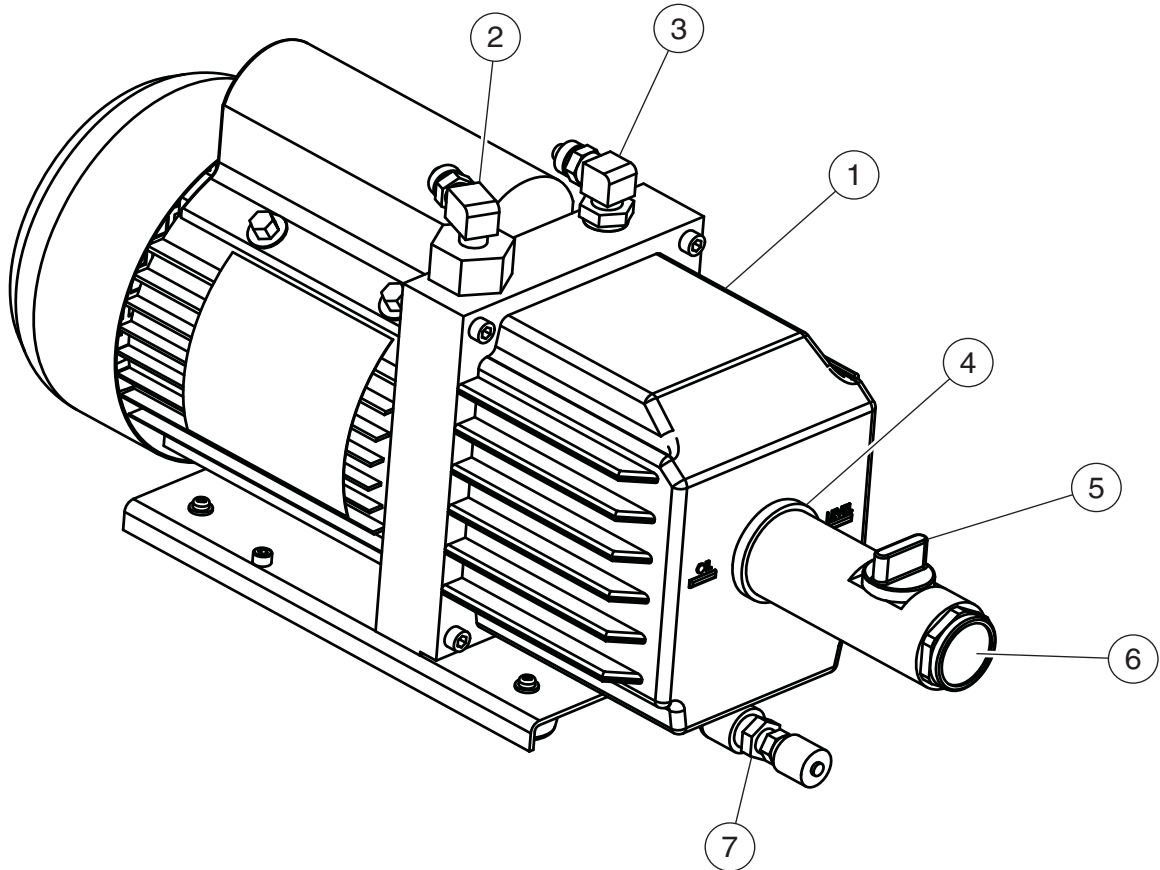


Figure 3-7. Vacuum Pump

PANZITTA SALES & SERVICE
72 George Avenue
Wilkes-Barre, PA 18705
570-822-6720 800-822-6720
www.panzittasales.com

VACUUM PUMP ASSEMBLY				
No.	Description	Qty	Part No.	Effectivity
---	VACUUM PUMP ASSEMBLY, 1.5 CFM, 115VAC	1	RA20031	A, C, D, E, F, G, H, J, K
	VACUUM PUMP ASSEMBLY, 1.5 CFM, 230VAC		RA20075	B
	VACUUM PUMP ASSEMBLY, 3 CFM, 115VAC		RA20017	A, C, D, E, F, G, H, J, K
1	RESERVOIR ASSEMBLY (NOTE: ITEMS 1 THRU 7 ARE FOR THE 3 CFM PUMP ONLY. 1.5 CFM PUMPS DO NOT HAVE REPLACEMENT PARTS. 1.5 CFM PUMPS MUST BE ORDERED AS A COMPLETE UNIT.)	1	RA19950	
2	BRASS DISCHARGE FITTING (PART OF ITEM 1)	1	Ref. Only	
3	BRASS INLET FITTING (PART OF ITEM 1)	1	Ref. Only	
4	SIGHT GLASS NUT (PART OF ITEM 1)	1	Ref. Only	
5	OIL FILL PLUG (PART OF ITEM 1)	1	RA20019	
6	SIGHT GLASS ASSY W/O-RING (PART OF ITEM 1)	1	Ref. Only	
7	OIL DRAIN ASSEMBLY W/CAP (PART OF ITEM 1)	1	Ref. Only	
EFFECTIVITY: ROBINAIR 34788 ROBINAIR 34788-I CORNWELL RA-C34788 MATCO H234788 MAC AC34788 GENERAL MOTORS GE-48800 ROBINAIR 48920 HONDA 48920T HONDA 48920U ROBINAIR 34788-H				A B C D E F G H J K

COMPRESSOR

ss00137

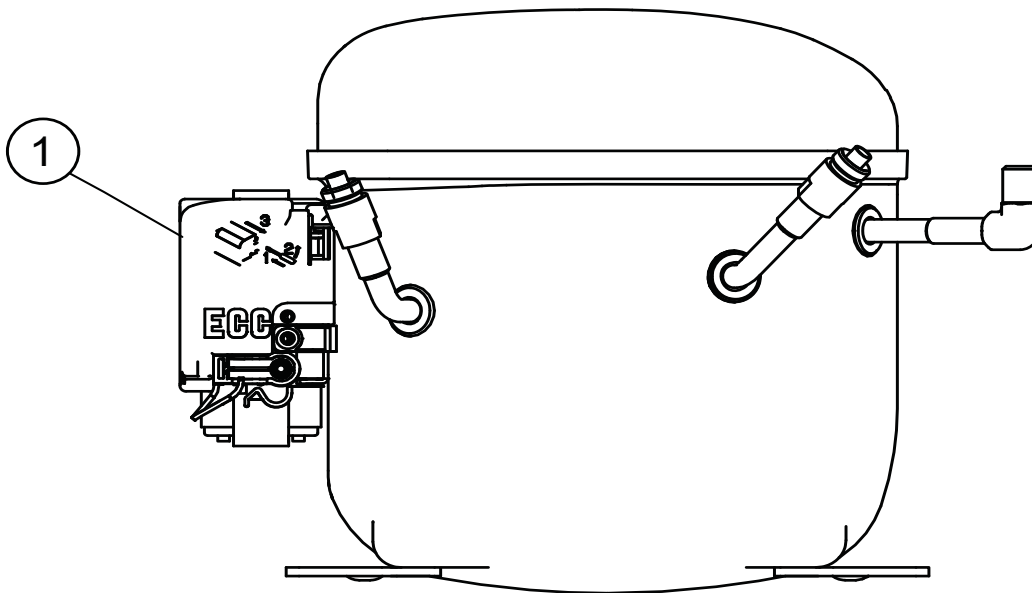
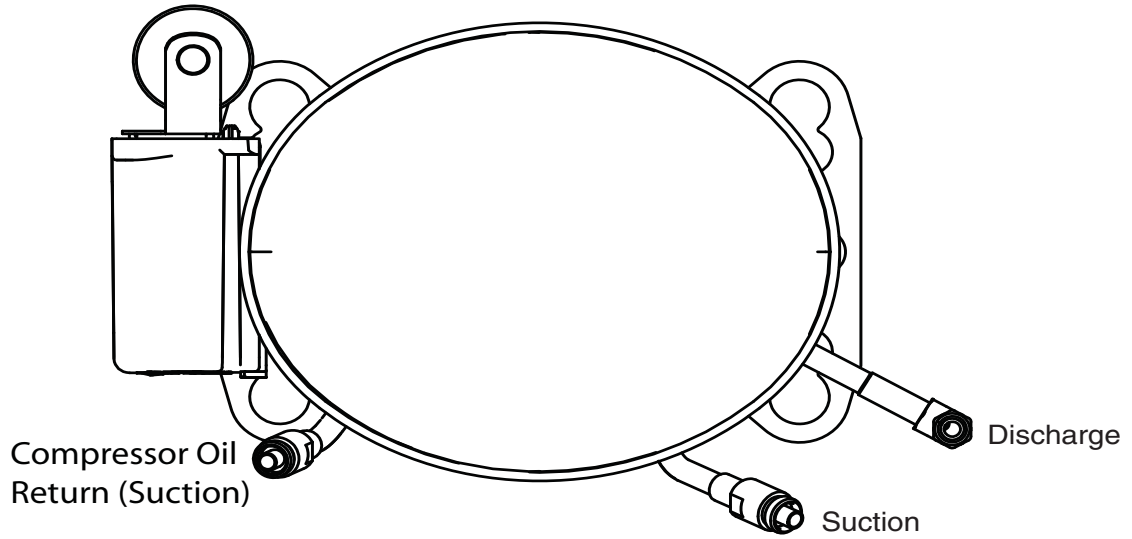


Figure 3-8. Compressor

COMPRESSOR ASSEMBLY, 115 AND 230V				
No.	Description	Qty	Part No.	Effectivity
---	COMPRESSOR, 115V (DOMESTIC)	---	RA20020	A, C, D, E, F, G, H, J, K
	COMPRESSOR, 230V (INT'L ONLY)		RA20076	B
1	ELECTRICAL SERVICE KIT, 115V (INCLUDES THERMAL PROTECTOR, START RELAY, CAPACITOR, CAPACI- TOR CAP, AND CAPACITOR LEADS.)	1	RA20060	A, C, D, E, F, G, H, J, K
	ELECTRICAL SERVICE KIT, 230V (INCLUDES THERMAL PROTECTOR, START RELAY, CAPACITOR, CAPACI- TOR CAP, AND CAPACITOR LEADS.)		RA20061	B
EFFECTIVITY: ROBINAIR 34788 ROBINAIR 34788-I CORNWELL RA-C34788 MATCO H234788 MAC AC34788 GENERAL MOTORS GE-48800 ROBINAIR 48920 HONDA 48920T HONDA 48920U ROBINAIR 34788-H				A B C D E F G H J K

PANZITTA SALES & SERVICE
72 George Avenue
Wilkes-Barre, PA 18705
570-822-6720 800-822-6720
www.panzittasales.com

BASE ASSEMBLY

ss00144

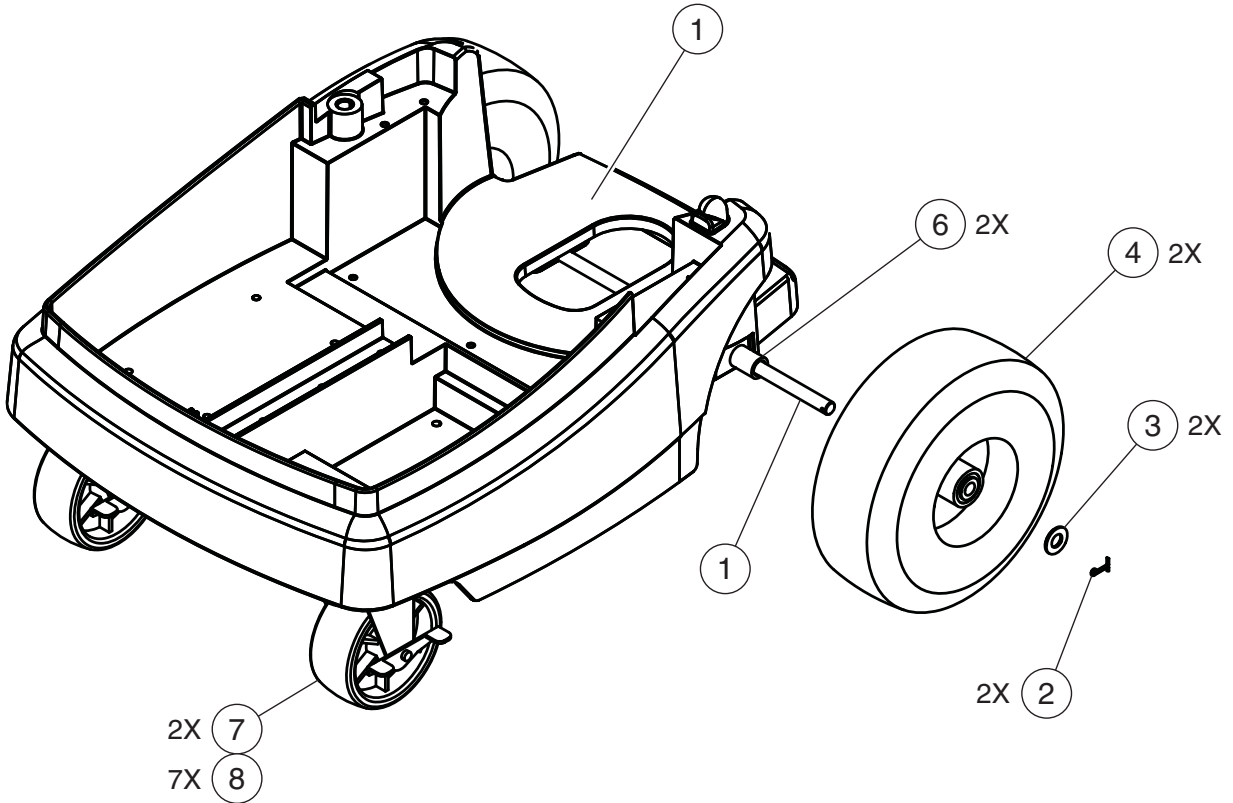


Figure 3-9. Base Assembly

BASE ASSEMBLY				
No.	Description	Qty	Part No.	Effectivity
---	BASE ASSEMBLY (SEE FIGURE 1 FOR NEXT HIGHER ASSEMBLY.)	1	544094	
1	BASE	1	Ref. Only	
2	COTTER PIN	2	100723	
3	WASHER, FLAT, .500 ID	2	102755	
4	WHEEL, PNEUMATIC, GRAY, 10 INCH	2	121841	
5	BUSHING, WHEEL	2	Ref. Only	
6	AXLE	1	Ref. Only	
7	CASTER, 5 INCH DIA X 2 INCH WIDE	2	RA19631	
8	SCREW, PLASTITE, ¼ INCH X 1 INCH	8	Ref. Only	

ELECTRICAL DIAGRAM

ss00149

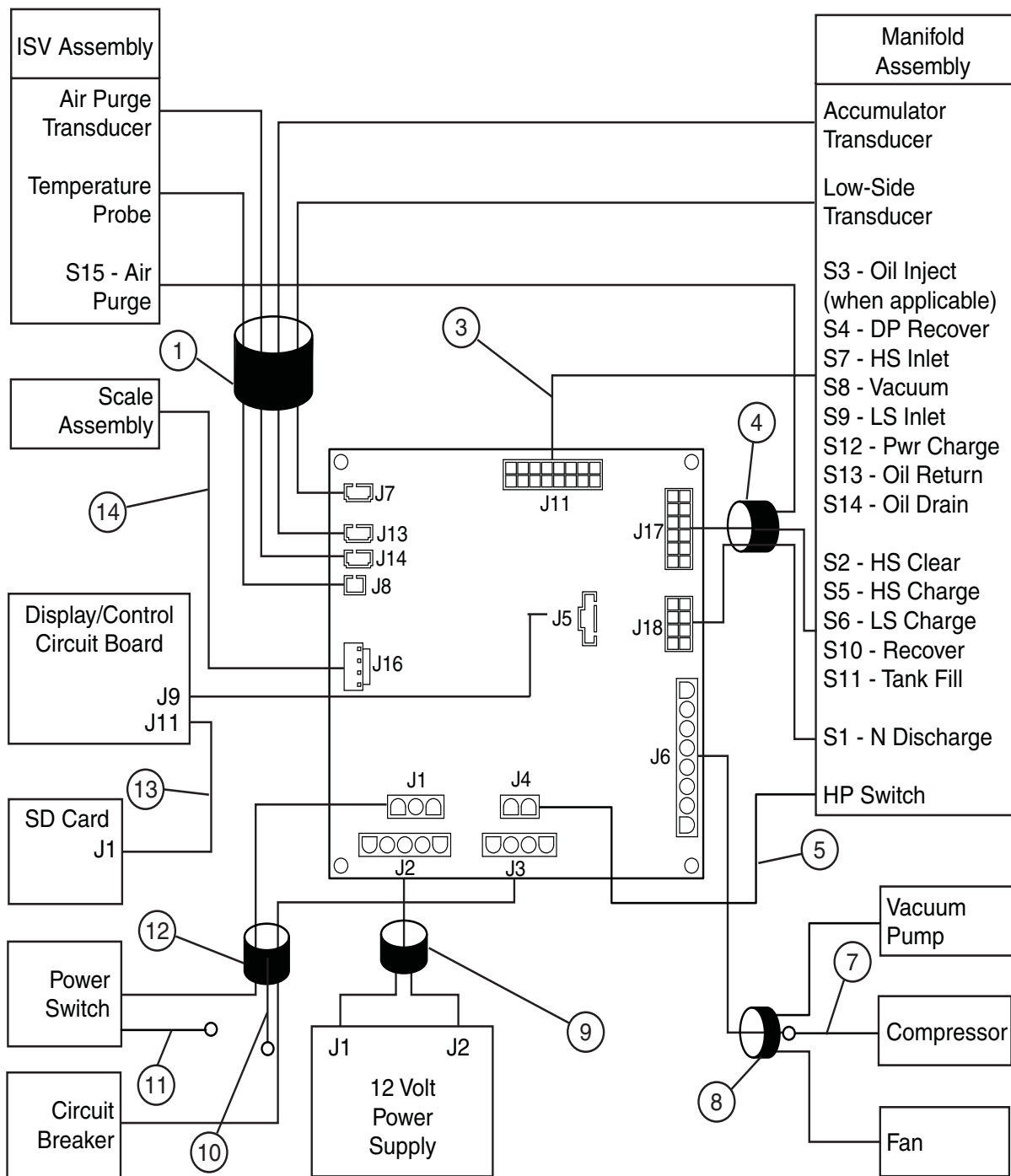


Figure 3-10. Electrical Diagram (Sheet 1 of 2)

ss00444

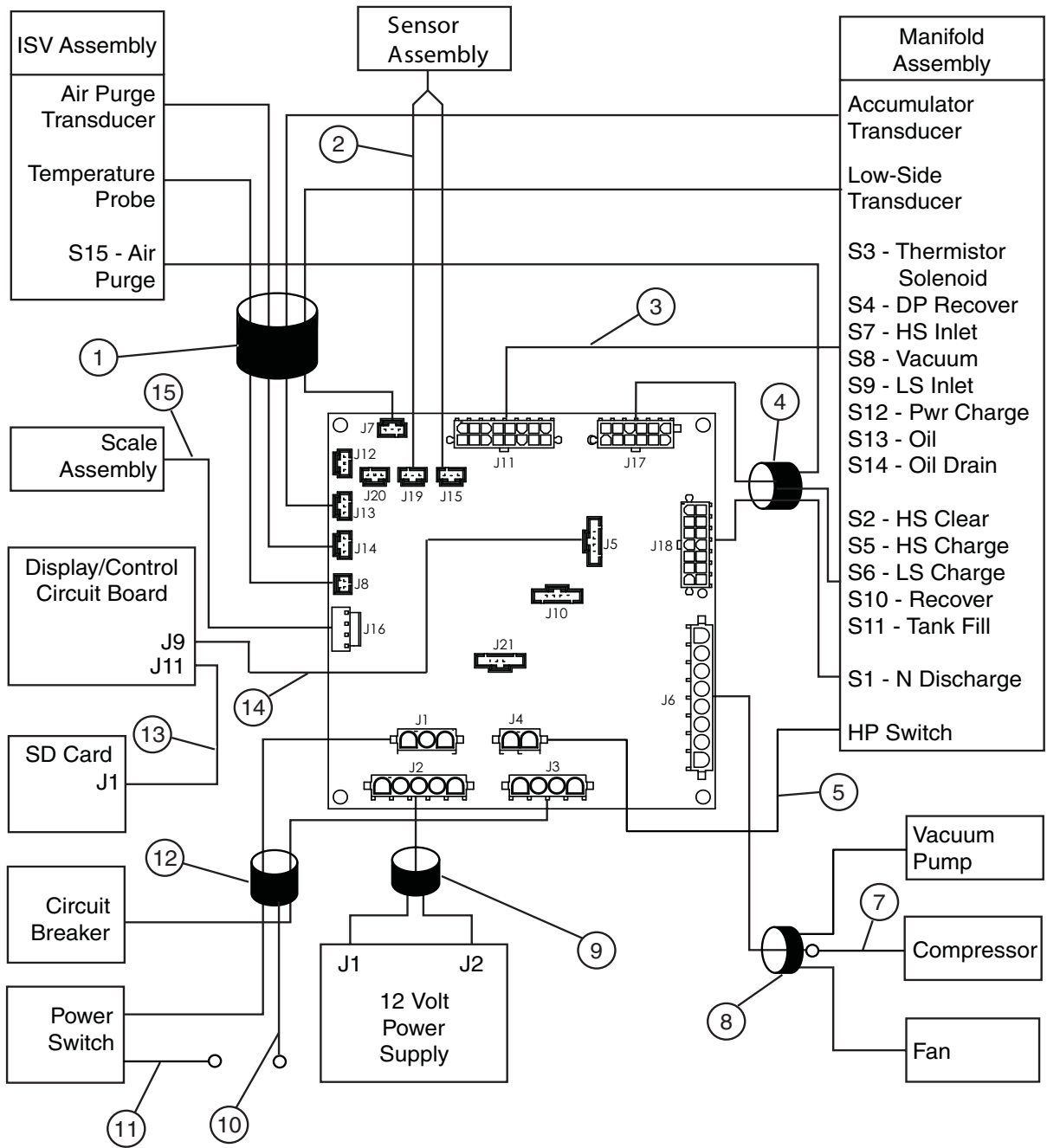


Figure 3-10. Electrical Diagram (Sheet 2 of 2)

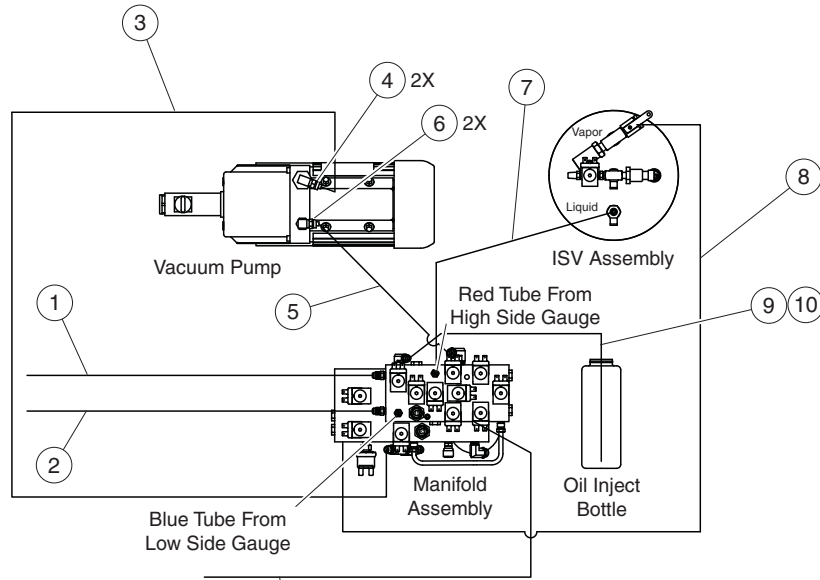
WIRING HARNESS DIAGRAM PARTS LIST				
No.	Description	Qty	Part No.	Effectivity
1	HARNESS, RELAY BOARD (J7, J8, J13, J14) TO AIR PURGE, ACCUMULATOR, LOW SIDE TRANSDUCERS, TEMPERATURE PROBE	1	539988	
2	HARNESS, VACUUM SENSOR (J15, J19)	1	557700	H, J
3	HARNESS, RELAY BOARD (J11) TO S3 [EXCEPT GE-48800, 34788-H, AND 48920], S4, S7, S8, S9, S12, S13, S14	1	539987	
4	HARNESS, RELAY BOARD (J17 AND J18) TO S2, S5, S6, S10, S11 CHARGE, S1 DISCHARGE, AND S15 PURGE (USED WITH THE RA20013 WHICH IS OBSOLETE.)	1	539927	
	HARNESS, RELAY BOARD (J17 AND J18) TO S2, S5, S6, S10, S11 CHARGE, S1 DISCHARGE, AND S15 PURGE (FOR ALL CURRENT PRODUCTION, AND RA2000.)		549381	
5	HARNESS, RELAY BOARD (J4) TO HIGH PRESSURE SWITCH	1	539992	
6	HARNESS, COMPRESSOR PIGTAIL WIRE (64, 66, 76) TO COMPRESSOR START RELAY, THERMAL SWITCH, GROUND THROUGH HARNESS 539991 (NOT SHOWN.)	1	544997	
7	HARNESS, COMPRESSOR TO HARNESS 539989	1	539991	
8	HARNESS, RELAY BOARD (J6) TO VACUUM PUMP, FAN, AND COMPRESSOR THROUGH HARNESS 539991	1	539989	
9	HARNESS, RELAY BOARD (J2) TO POWER SUPPLY (J1, J2)	1	539994	
10	CABLE, GROUND WIRE	1	539993	
11	POWER CABLE, 115VAC	1	122770	A, C, D, E, F, G, H, J, K
	POWER CABLE, 230VAC		545162	B
12	HARNESS, RELAY BOARD (J1 AND J3) TO POWER SWITCH AND CIRCUIT BREAKER	1	539990	

WIRING HARNESS DIAGRAM PARTS LIST				
No.	Description	Qty	Part No.	Effectivity
13	HARNESS, DISPLAY/CONTROL (J11) TO SD CARD (J1)	1	539996	
14	HARNESS, RELAY BOARD (J5) TO DISPLAY/CONTROL PCB (J9)	1	539995	
15	HARNESS, RELAY BOARD (J16) TO SCALE (PART OF SCALE ASSEMBLY P/N 539853. SEE NHA, FIGURE 3-2.)	1	Ref. Only	
16	LEAD, CAPACITOR (NOT SHOWN.)	1	516844	
EFFECTIVITY: ROBINAIR 34788 ROBINAIR 34788-I CORNWELL RA-C34788 MATCO H234788 MAC AC34788 GENERAL MOTORS GE-48800 ROBINAIR 48920 HONDA 48920T HONDA 48920U ROBINAIR 34788-H				A B C D E F G H J K

PANZITTA SALES & SERVICE
72 George Avenue
Wilkes-Barre, PA 18705
570-822-6720 800-822-6720
www.panzittasales.com

PLUMBING DIAGRAM

ss00146



Note: Use Loctite 242 Or Equivalent On Threads Of All Hoses And Fittings

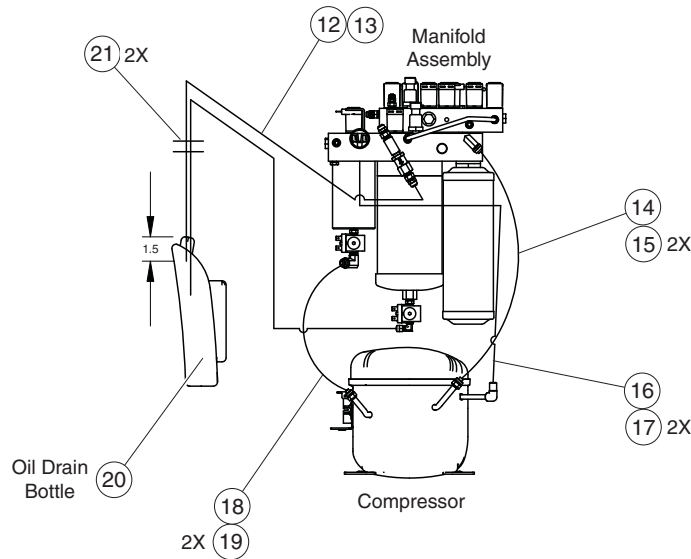


Figure 3-11. Plumbing Diagram

PLUMBING DIAGRAM PARTS LIST				
No.	Description	Qty	Part No.	Effectivity
---	HOSE SET, SERVICE, HIGH AND LOW SIDE, W/ADAPTERS (COMPRISED OF P/N 540331 [RED] AND 540332 [BLUE])	1	37422	
1	HIGH SIDE HOSE, RED	1	540331	
2	LOW SIDE HOSE, BLUE	1	540332	
3	VACUUM HOSE, LOW SIDE, TUBING, ¼ INCH OD X 0.040 INCH ID	19"	120225	
4	NUT, COMPRESSION, ¼ INCH TUBE	2	RA20007	

PLUMBING DIAGRAM PARTS LIST				
No.	Description	Qty	Part No.	Effectivity
5	VACUUM HOSE, HIGH SIDE, TUBING, 3/8 INCH HIGH PRESSURE	16"	RA20005	
6	NUT, COMPRESSION, 3/8 INCH TUBE	1	RA20006	
7	HOSE, ISV LIQUID	1	541533	
8	HOSE, ISV VAPOR	1	539068	
9	OIL INJECT TUBE, 1/4 INCH OD X 0.040 INCH ID	23"	120225	A, B, C, D, E
10	NUT, COMPRESSION, 1/4 INCH TUBE	1	RA20007	A, B, C, D, E
11	HOSE, TANK FILL (FILTERED)	1	567272	
	HOSE, TANK FILL (UNFILTERED)	1	539007	
12	VACUUM PUMP EXHAUST TUBE, 1/4 INCH OD X 0.040 INCH ID	28"	120225	
13	NUT, COMPRESSION, 1/4 INCH TUBE	1	RA20007	
14	SUCTION TUBE, MANIFOLD TO COMPRESSOR, 3/8 INCH HIGH PRESSURE	15.5"	RA20005	
15	NUT, COMPRESSION, 3/8 INCH TUBE	2	RA20006	
16	DISCHARGE TUBE, COMPRESSOR TO MANIFOLD	1	538469	
17	O-RING, NEOPRENE	2	RA19916	
18	COMPRESSOR OIL RETURN TUBE, 3/8 INCH HIGH PRESSURE	12"	RA20005	
19	NUT, COMPRESSION, 3/8 INCH TUBE	2	RA20006	
20	TUBE, NYLON, 1/8 INCH OD X .070 ID (SEE FIGURE 6, ITEM 1 FOR COMPRESSION FITTING.)	27"	121773	
21	STA-STRAP, 8 INCHES LONG X .18 THK	2	Ref. Only	
EFFECTIVITY: ROBINAIR 34788 ROBINAIR 34788-I CORNWELL RA-C34788 MATCO H234788 MAC AC34788 GENERAL MOTORS GE-48800 ROBINAIR 48920 HONDA 48920T HONDA 48920U ROBINAIR 34788-H				A B C D E F G H J K