



X-COUNTRY SERIES

CHEETAH 1 - CHEETAH 2

COUGAR 1 - COUGAR 2



OWNER'S MANUAL / GUIDE D'UTILISATION



CONGRATULATIONS AND THANK YOU FOR PURCHASING A CHARIOT CARRIER!



Congratulations on choosing a X-Country series CTS Ready Chassis, the key component of the world's premiere **Child Transport System (CTS)**. Your new CTS carrier offers superior quality, safety features, and comfort. In addition, Chariot's CTS Conversion Kits can provide you with the versatility to meet all of your child transportation needs.

The CTS Conversion Kits available from your Chariot dealer are the following: **1.** Jogging CTS Kit **2.** Cycling CTS Kit **3.** Strolling CTS Kit (wheels only) **4.** Hiking CTS Kit **5.** X-Country Skiing CTS Kit

IMPORTANT

Read all instructions before using your Chariot Carrier.

TABLE OF CONTENTS

General Warnings2
 Carrier Maintenance, Care and Storage2
 Safety Guidelines3
Chariot Carrier CTS Ready Chassis Assembly
 1.0 Folding and Unfolding the Carrier4
 1.1 Wheel Assembly4
 1.2 Handlebar Instructions5
 1.3 Parking Brake Instructions5
 1.4 Suspension Adjustments5
 1.5 Weather Cover Features6
 1.6 Rear Storage Compartments6
 1.7 Child Placement and Seatbelts7
Parts Lists
 Cheetah 1, Cheetah 29
 Cougar 1, Cougar 210
Strolling CTS Kit (wheels only)
 2.0 Installation11
 2.1 Storage11
Jogging CTS Kit
 3.0 Installation12
 3.1 Storage12
Cycling CTS Kit
 4.0 Reflectors and Flag Assembly13
 4.1 Attaching Your New Quick Release (QR) Skewer & Axle Mounted Hitch Cup to Your Bicycle14
 4.2 Attaching Your Axle Mounted Hitch Cup to Your Bicycle if You Have a Solid Axle Style Hub14
 4.3 Hitch Arm Assembly14
 4.4 Attaching Your Carrier to the Hitch Cup on Your Bicycle14
X-Country Skiing CTS Kit
 5.0 Installation15
 5.1 Shoulder Harness Adjustments15
Hiking CTS Kit
 6.0 Installation16
 6.1 Shoulder Harness Adjustments16
 Accessories17
 Notes17
 French Instruction Manual18
 Limited Lifetime Warranty35

GENERAL WARNINGS

This manual contains many **WARNINGS** and **CAUTIONS**. Read and understand all of the **WARNINGS** and **CAUTIONS**. Failure to assemble and use this carrier correctly may lead to serious personal injury or death to you or your passengers.

- Do not install a car seat or any other seating device not approved by the manufacturer inside the carrier.
- Make no modifications to the carrier.
- The carrier may become unstable if a parcel bag or rack not approved by the manufacturer is attached to the carrier.
- Do not allow any of the child's body, clothing, shoe laces, or toys to come in contact with moving parts.
- Never leave children unattended in the carrier.
- Failure to comply with the manufacturer's instructions may lead to serious injury or death to you and to your passengers.
- Maximum capacity of the carrier is 75 lb (34 kg) for one child carriers and 100 lb (45 kg) for two child carriers. This includes the weight of the child/children and cargo. Do not use with children who exceed the weight limitations.
- Do not use cleaning solvents on the carrier. Clean only with mild soap and water.
- When used with only one passenger, the passenger should be seated in a center seating position.
- Passengers must always use seat belts.
- Maximum tire pressure is 30 – 35 psi.
- Care must be taken when folding and unfolding to prevent finger entrapment.
- Never use your carrier to go up or down stairs or on steep hills.

When carrier is used in Jogging or Strolling mode, please observe the following:

- Use wrist safety strap at all times.
- Always use parking brake when the carrier is stationary.
- Never in-line skate with your carrier.
- Maximum weight in the rear combined pockets is 2.2 lb (1 kg). The carrier may become unstable if the pocket is overloaded.

When carrier is used in Cycling mode, please observe the following:

- A reflector that complies with CPSC regulations shall be visible on the rear of the trailer and on the side of the wheels.
- Before each ride, ensure the attached carrier does not interfere with braking, pedaling, or steering of the bicycle.
- Never ride a bicycle at night without adequate lighting. Obey all local legal requirements for lighting.
- Ride with extreme caution, never exceed 25 km/h, and slow down to less than 10 km/h around corners and on rough roads.
- Use of a trailer changes the stability, braking requirements and riding characteristics of your bike.
- Always use flag for increased visibility.
- Before the carrier can be used with the Cycling CTS Kit, children must be at least 1 year old and able to sit upright unassisted.
- Passengers must always wear a CPSC or CE approved bicycle helmet.

CARRIER MAINTENANCE, CARE AND STORAGE

A. Hitch Maintenance - Check that the hitch and back up straps are properly secured before every ride. Periodically check the hitch for damage, cracks, etc. Replace at first sign of damage. Any damage/deterioration on any parts of your Chariot carrier should be repaired/replaced immediately to reduce the risk of personal injury.

B. Fabric/Shell Care - Your Chariot Carrier is manufactured from a tough, durable, water resistant fabric. Clean fabric with household soap or mild detergent and warm water only. Wipe dry. Do not machine dry.

C. Windows - Do not use your carrier in temperatures below -20°C (-4°F) . Plastic windows can crack at these low temperatures. If carrier is stored/left out in very cold weather you will need to let it warm up before folding or uprighting.

D. Wheels and Axles - Wheels should be serviced by a Chariot Dealer at least twice a year. Check wheels for loose spokes and axles for proper security every time you use your Chariot carrier.

E. Hardware and Fasteners - Regularly inspect nuts and bolts to ensure they are tightened securely.

F. Storage - Store your carrier in a dry, well-ventilated area. To avoid mildew, make sure carrier is dry before storing. Keep your carrier out of the sun when not in use to reduce fading. Do not store the carrier attached to your bicycle.

Always inspect all parts every time you use your carrier!

SAFETY GUIDELINES

Sixteen important rules for the safe use of your Chariot Carrier.

1. **Read all instructions before use!** Failure to read, understand and follow these instructions may result in an otherwise avoidable accident in which you and/or your passengers could suffer serious injury or death.
2. **The safe and proper use of this product is your responsibility!** Take a practice bicycle ride, walk/run, hike, or cross-country ski with a weighted carrier (weighted greater than your expected load with children and cargo) before using your carrier to ensure you can handle a loaded carrier in each activity. Be extremely careful on hills and try to avoid them if possible. In addition to safe bicycle practices, the rules listed below must be followed at all times.
3. **Make sure your bicycle is in good working condition.** We recommend a frequent safety check of your bike by a certified bicycle mechanic.
4. **Do not modify or alter carrier or bicycle.** Ask your Chariot Dealer if you are not sure whether your bicycle is compatible with your carrier.
5. **When used as a bicycle trailer, children must be at least 1 year old and be able to sit upright alone.** Consult your pediatrician before carrying any child younger than one year.
6. **Do not exceed the maximum carrier load of 75 lb (34 kg) for one child carriers and 100 lb (45 kg) for two child carriers. These capacities include the weight of child/children and cargo.** Articles carried in the carrier should be well anchored to avoid shifting during travel. Unstable loads and overloading make the carrier less stable and more difficult to control.
7. **Always fasten shoulder harness, lap belt and crotch strap securely and tightly around children.** Periodically check placement of shoulder straps, especially for a sleeping child. Make sure children cannot put fingers into the wheel spokes. Instruct children not to bounce, rock or lean.
8. **Do not leave children unattended in the carrier.**
9. **To insure a smooth ride, keep tires inflated to the recommended pressure shown on the tire side wall. Check tire pressure before each use.** Over inflating tires or use of high pressure tires can cause the carrier to overturn.
10. **Use this carrier only with non-motorized bicycles capable of supporting the additional load of the carrier and child.** Do not use your carrier on electric bicycles, motorcycles, mopeds, automobiles or any other motor vehicle. Check the information supplied with your bike to verify compatibility or ask your dealer.
11. **Do not use a kickstand or other parking device to support the bicycle with a trailer attached.** Attaching a trailer can change the balance of the bicycle making kickstands ineffective. The bicycle can fall over, damaging it and the trailer.
12. **Always use the high visibility flag supplied with the trailer.** Do not assume you have the right-of-way. Do not pull your trailer in high traffic areas such as busy streets, highways or anyplace it may be unsafe to ride with children.
13. **Always verify that the folding brackets are secure and hold the carrier in an upright position.**
14. **Avoid riding at night.** Your ability to see and be seen is greatly reduced. If you must ride at night, use proper lighting and reflectors on your bicycle and wear bright reflective clothing
15. **Both cyclist and children must wear approved bicycle helmets.** If your child is too small to properly wear the smallest size approved helmet, they should not ride in the carrier.
16. **Always obey all traffic laws, and use proper hand signals.**

WARNING!

Bicycle trailers can tip over causing serious injury to passenger/rider.

Hitting an obstacle with a wheel may cause the trailer to tip over at any speed!



CHARIOT CARRIER CTS READY CHASSIS ASSEMBLY

Your Chariot Carrier is shipped 99% assembled. Initial assembly takes a few minutes. After that, folding and unfolding can be done in seconds.



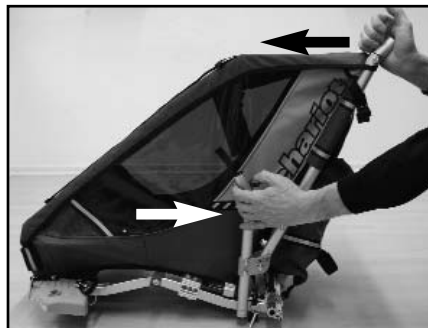
1.0 Folding and Unfolding the Carrier

NOTE: Any reference to orientation (left or right) is from the passenger's point of view while in the carrier.



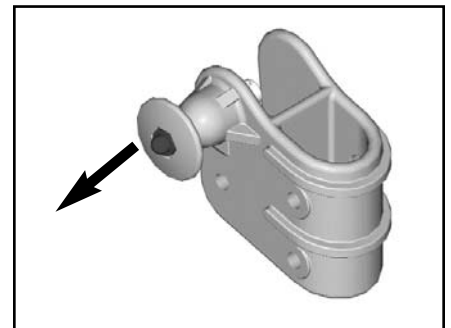
Stand at the back of the carrier body. Grab the upper frame and pull up until it stops.

CAUTION: Pull back on the lower bars from under the pivot brackets to avoid pinching your fingers.



Pull back on both the right and left lower backtube bars until they “snap” all the way back over center and the auto-lock disks engage.

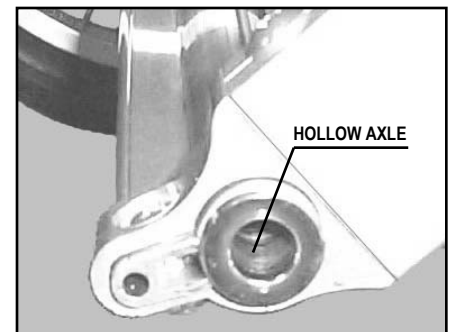
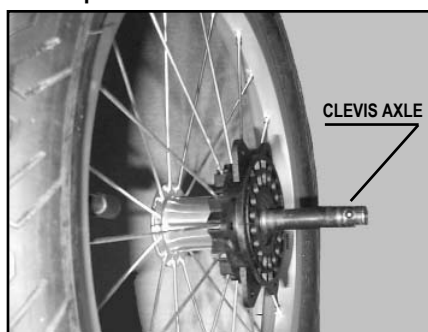
WARNING: Ensure that folding brackets are correctly locked before using carrier. Failure to do so could cause the carrier to collapse.



To collapse the carrier, pull the release disks and then push both the right and left lower backtube bars forward until the carrier is completely collapsed.

CAUTION: Do not attempt to collapse carrier without first pulling the release disks.

1.1 Wheel Assembly



1. Depress the rubber cap on the wheel hub with your thumb and fully insert the clevis axle into the hollow axle. Once fully inserted and secured, you should hear a “click” sound. **Important:** To ensure the axle system is engaged properly, test by trying to pull the wheel outwards after installing. The wheel should be locked in its installed position. If not, do not use and take your carrier to your Chariot Dealer for servicing.
2. Repeat all steps for the other wheel.

1.2 Handlebar Instructions



Insert both ends of the handlebar into the aluminum sleeves located at the upper rear section of the carrier.

WARNING: Failure to properly install the handlebars or use the wrist safety strap could cause the carrier to become separated from you resulting in serious injury.



Depress both spring buttons and insert the handlebars fully into the sleeves. **Both spring buttons must "pop" out of the holes located on the inner side of the sleeves to secure the handlebar in place.**



To adjust handle bar height, simply remove the handlebar by depressing the spring buttons and pulling the handle bar out of the aluminum sleeve. Rotate the handlebars 180°, and re-insert the handlebars into the aluminum sleeves.

1.3 Parking Brake Instructions



The parking brake is located at the center of the rear axle under the rear storage bag.



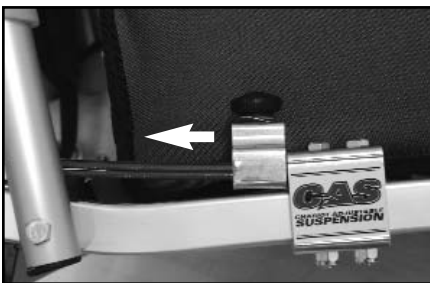
Engage the parking brake by pressing the plunger down on the brake housing.



Disengage the parking brake by lifting the plunger upwards.

1.4 Suspension Adjustments (Cougar 1 and 2 models only)

All Cougar models come with adjustable suspension. Four adjustment ranges are suggested, but it can be used in any position. The weight ranges suggested are based on the carrier being used for cycling. The setting could be softer or stiffer for strolling/jogging. Experimenting may be required.



NOTE: To determine the weight, you must combine the weight of the passengers and cargo. To adjust simply loosen knob, slide bracket to desired weight range, and tighten knob.

NOTE: The bracket should be moved to the location next to the weights noted (not on top of the position).

If the suspension is making a hard "knocking" sound, it means the weight setting is too low and you need to slide the bracket further towards the rear. Typically, the suspension on both sides should be set to the same position/range, however it is possible to have them set to different positions if a lighter child is on one side and a heavier child on the other.

751bs. +	→	50-751bs	→	25-501bs.	→	0-251bs.	→	
		4		3		2		1
34kg +	→	22.5-34kg	→	11-22.5kg	→	0-11kg	→	

Note the 4 positions outlined in table where 1 represents the lightest load and 4 represents the heaviest load.

1.5 Weather Cover Features



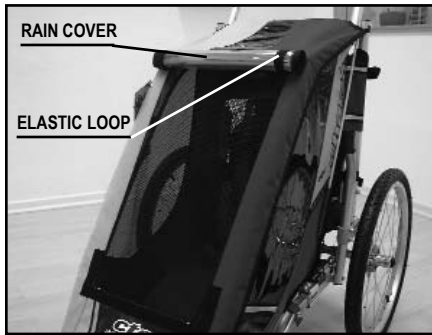
Attach the loops from the back corner of the weather cover over the aluminum sleeves located at the upper rear section of the carrier.



Fasten the front corners of the weather cover to the Velcro tabs located on the front lower corners of the frame.

Note: Your Chariot Carrier has climate control features designed to regulate your child's temperature. Periodically monitor your child to ensure that he/she is comfortable in terms of temperature.

WARNING: Failure to use the weather cover could expose your child to flying rocks, insects, and other debris.



During cooler temperatures use the rain cover to keep your child warmer. If this is too warm or you are worried about ventilation, open one or both of the small triangular side vents (for Cougar models). For more ventilation, roll up the rain cover and secure it by looping the elastic loops around its ends. If it is bright outside or the sun is bothering your child, use the back panel as a sunscreen. To do so, remove the weather cover, flip the back panel over the front of the carrier, secure it to the Velcro tabs located on the upper frame, and re-install the weather cover.

1.6 Rear Storage Compartments



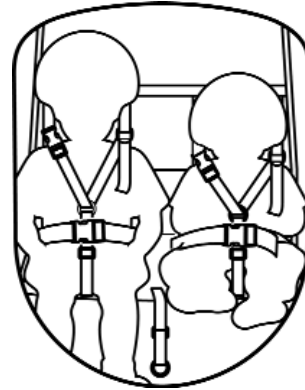
Your Chariot carrier comes with two separate rear storage bags. The first is the rear cargo mesh storage area located directly behind the seat. The second storage area is located on the lower backside of the carrier. The maximum capacity for both storage compartments is 2.2 lb (1 kg).

1.7 Child Placement and Seatbelts

WARNING: Failure to properly attach seatbelts could result in serious injury or death to occupants in the event of an accident.

TWO CHILDREN (Cheetah 2)

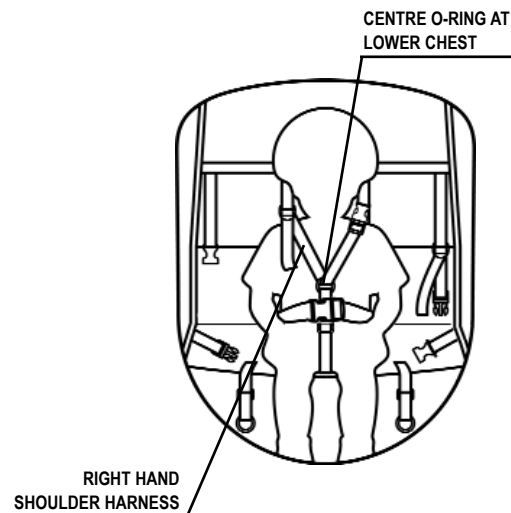
1. Unclip both shoulder harnesses from the side release buckles and unthread them from the O-rings.
2. Seat children in carrier.
3. Place the center crotch strap between children's legs and adjust so O-rings are centered on children's lower chest.
4. Thread the shoulder harnesses through the backside of the O-rings, clip into buckles over the children's right shoulder and tighten by pulling the loose strap ends from over the children's left shoulder.
5. Fasten lap belt buckles and tighten snugly.



ONE CHILD IN DOUBLE CARRIER (Cheetah 2)

1. Seat child in center seating position.
2. Place the center crotch strap between child's legs and adjust so O-ring is centered on child's lower chest.
3. Thread right hand shoulder harness through the back side of the O-ring, clip into buckle over the child's left shoulder, and tighten by pulling the loose strap end from over the child's right shoulder.
4. Fasten lap belt buckle and tighten snugly.

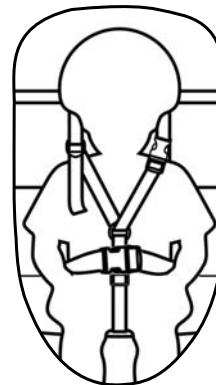
WARNING: Failure to seat single child in the center position on a double child carrier could cause the carrier to tip over causing injury or death.



ONE CHILD SINGLE CARRIER (Cheetah 1)

1. Seat child in carrier.
2. Place the crotch strap between child's legs and adjust so O-ring is centered on child's lower chest.
3. Thread right hand shoulder harness through the back side of the O-ring, clip into buckle over the child's left shoulder, and tighten by pulling the loose strap end from over the child's right shoulder.
4. Fasten lap belt buckle and tighten snugly.

WARNING: Always adjust shoulder harness and crotch strap so they meet at child's lower chest. Adjusting harnesses and buckles near your children's neck could cause serious injury or death.

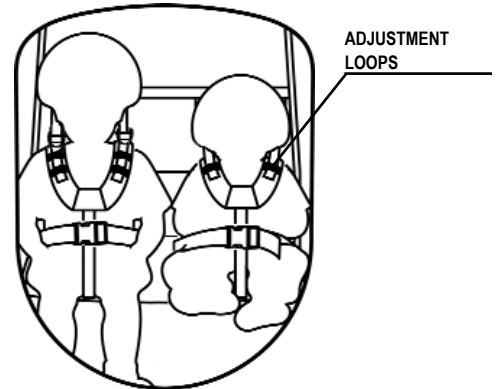


WARNING: Failure to properly attach seatbelts could result in serious injury or death to occupants in the event of an accident.

TWO CHILDREN (Cougar 2)

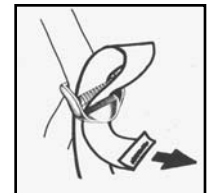
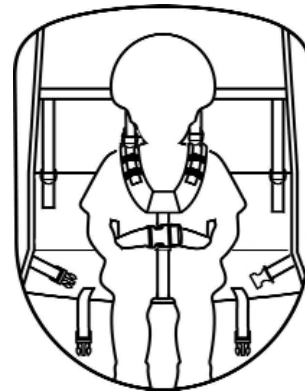
All Cougar models come with a padded shoulder harness. Shoulder harness length can be adjusted by removing the shoulder harness straps from either one or both of the adjustment loops. The harness is adjusted to the middle position on the small child and the long position on the larger child as in the diagram. The third and final arrangement is achieved by removing the straps from both adjustment loops.

1. Lift shoulder harnesses and Velcro to upper seat frame, so that harnesses do not interfere with seating the children.
2. Seat children in carrier, place outer crotch straps between legs of children and adjust so buckles are centered on children's lower chests.
3. Place shoulder harnesses over children's head and slide ladder locks downwards to fit the harnesses snugly over their shoulders.
4. Secure the bottom of the harnesses with the buckles on the crotch strap.
5. Pull the loose strap ends from over the children's shoulders to snugly secure the top of the harnesses.
6. Fasten lap belt buckles and tighten snugly.



ONE CHILD IN DOUBLE CARRIER (Cougar 2)

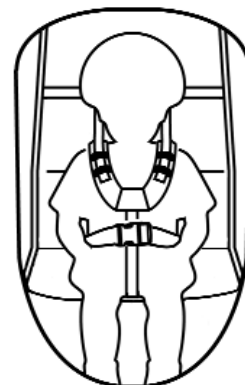
1. Remove both shoulder harnesses from ladder lock buckles.
2. Install one shoulder harness in the center seat using the two center ladder locks. (See diagram at right). Thread the shoulder harness straps up through the ladder locks, pull over and towards yourself, then thread straps back down through the ladder locks.
3. Seat child in center seating position, place the center crotch strap between child's legs and adjust so buckle is centered on child's lower chest.
4. Place shoulder harnesses over children's head and slide ladder locks downwards to fit the harnesses snugly over their shoulders.
5. Secure the bottom of the harnesses with the buckle on the crotch strap.
6. Pull the loose strap ends from over the child's shoulders to snugly secure the top of the harness.
7. Fasten lap belt buckle and tighten snugly.



WARNING: Failure to seat single child in the center position on a double child carrier could cause the carrier to tip.

ONE CHILD SINGLE CARRIER (Cougar 1)

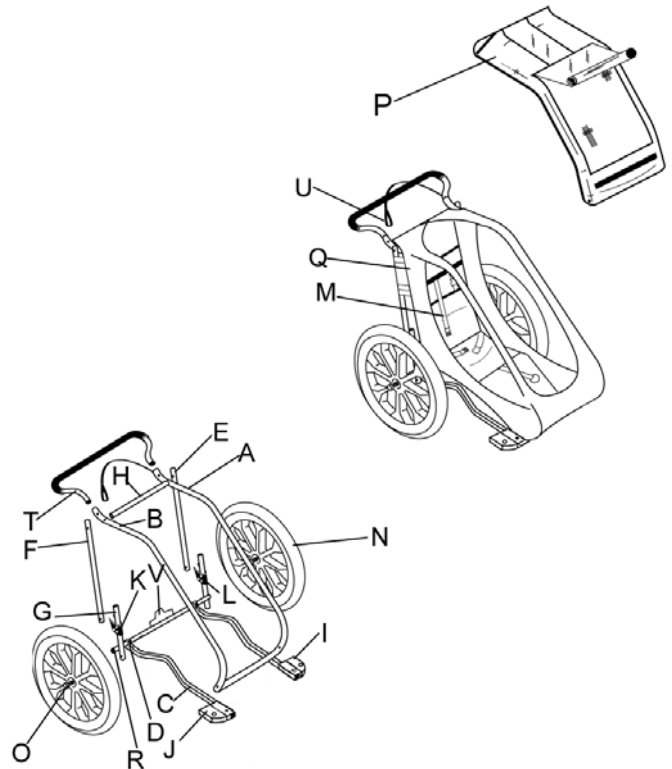
1. Lift shoulder harness and Velcro to upper seat frame so that harness does not interfere with seating the child.
2. Seat child in carrier, place crotch strap between the legs of the child and adjust so that the buckle is centered on child's lower chest.
3. Place shoulder harness over child's head and slide ladder locks downwards to fit the harness snugly over the child's shoulders.
4. Secure the bottom of the harness with the buckle on the crotch strap.
5. Pull the loose strap ends from over the child's shoulders to snugly secure the top of the harness.
6. Fasten lap belt buckle and tighten snugly.



WARNING: Always adjust shoulder harness and crotch strap so they meet at child's lower chest. Adjusting harnesses and buckles near your child's neck could cause serious injury or death.

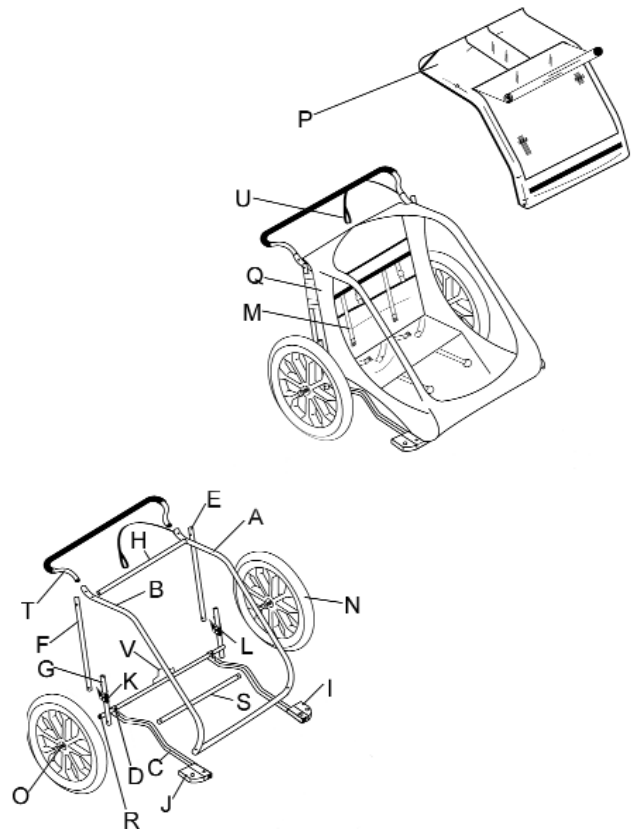
PARTS LIST Cheetah 1

Part #	Part	Quantity
A/B	40100144 Upper Frame	1
C	41100226 Lower Frame	2
D	41101290 Lower Frame Bracket	2
E	40100425 Back Frame – Left	1
F	40100426 Back Frame – Right	1
G	40100722 Back Tube	2
H	40100626 Seat Frame	1
I	40101514 Wheel Arm Attachment Bracket - Left	1
J	40101515 Wheel Arm Attachment Bracket - Right	1
K	40101281 Back Bracket – Left	1 Set
L	40101282 Back Bracket – Right	1 Set
M	40200106 Shoulder Harness	1
N	50101733 Plastic Wheel	2
O	50101305 Clevis Axle	2
P	31100409 Weather Cover	1
Q	30100410 Fabric Body	1
R	41103032 Axle Adapter	2
T	40101311 Handlebar	1
U	40202011 Wrist Safety Strap	1
V	40101740 Parking Brake Assembly with Axle	1
W	33100401 Storage Pouch (not shown)	1
X	41101929 Parking Brake Hub (not shown)	2



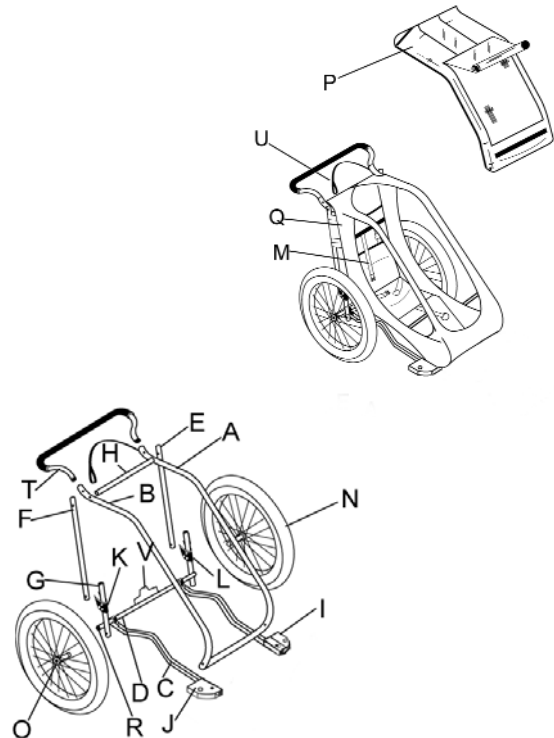
PARTS LIST Cheetah 2

Part #	Part	Quantity
A/B	40100145 Upper Frame	1
C	41100226 Lower Frame	2
D	41101290 Lower Frame Bracket	2
E	40100425 Back Frame – Left	1
F	40100426 Back Frame – Right	1
G	40100722 Back Tube	2
H	40100624 Seat Frame	1
I	40101514 Wheel Arm Attachment Bracket – Left	1
J	40101515 Wheel Arm Attachment Bracket – Right	1
K	40101281 Back Bracket – Left	1 Set
L	40101282 Back Bracket – Right	1 Set
M	40200106 Shoulder Harness	2
N	50101733 Plastic Wheel	2
O	50101305 Clevis Axle	2
P	31100804 Weather Cover	1
Q	30100806 Fabric Body	1
R	41103032 Axle Adapter	2
S	40100627 Lower Seat Bar	1
T	40101338 Handlebar	1
U	40202011 Wrist Safety Strap	1
V	40101741 Parking Brake Assembly with Axle	1
W	33100802 Storage Pouch (not shown)	1
X	41101929 Parking Brake Hub (not shown)	2



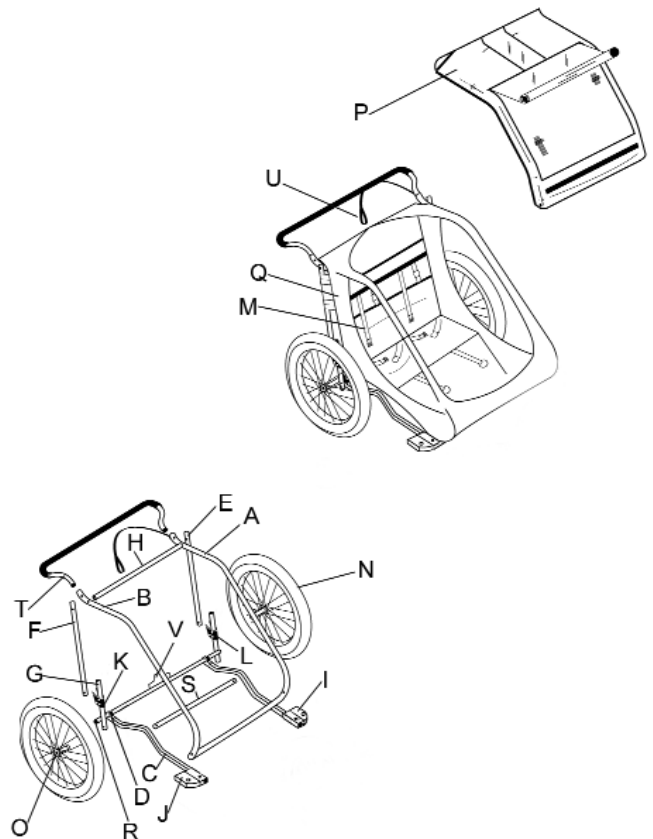
PARTS LIST Cougar 1

Part #	Part	Quantity
A/B 40100144	Upper Frame	1
C 41100225	Lower Frame	2
D 41101290	Lower Frame Bracket	2
E 40100425	Back Frame – Left	1
F 40100426	Back Frame – Right	1
G 40100722	Back Tube	2
H 40100626	Seat Frame	1
I 40101514	Wheel Arm Attachment Bracket – Left	1
J 40101515	Wheel Arm Attachment Bracket – Right	1
K 40101281	Back Bracket – Left	1 Set
L 40101282	Back Bracket – Right	1 Set
M 40200305	Shoulder Harness	1
N 50101729	Alloy Wheel	2
O 50101305	Clevis Axle	2
P 31100505/6	Weather Cover	1
Q 30100507/8	Fabric Body	1
R 41103032	Axle Adapter	2
T 40101311	Handlebar	1
U 40202011	Wrist Safety Strap	1
V 40101740	Parking Brake Assembly with Axle	1
W 33100503/5	Storage Pouch (not shown)	1
X 41101929	Parking Brake Hub (not shown)	2



PARTS LIST Cougar 2

Part #	Part	Quantity
A/B 40100145	Upper Frame	1
C 41100225	Lower Frame	2
D 41101290	Lower Frame Bracket	2
E 40100425	Back Frame – Left	1
F 40100426	Back Frame – Right	1
G 40100722	Back Tube	2
H 40100624	Seat Frame	1
I 40101514	Wheel Arm Attachment Bracket – Left	1
J 40101515	Wheel Arm Attachment Bracket – Right	1
K 40101281	Back Bracket – Left	1 Set
L 40101282	Back Bracket – Right	1 Set
M 40200305	Shoulder Harness	2
N 50101729	Alloy Wheel	2
O 50101305	Clevis Axle	2
P 31100903/4	Weather Cover	1
Q 30100905/6	Fabric Body	1
R 41103032	Axle Adapter	2
S 40100627	Lower Seat Bar	1
T 40101338	Handlebar	1
U 40202011	Wrist Safety Strap	1
V 40101741	Parking Brake Assembly with Axle	1
W 33100903/5	Storage Pouch (not shown)	1
X 41101929	Parking Brake Hub (not shown)	2



STROLLING CTS KIT (wheels only)



2.0 Installation



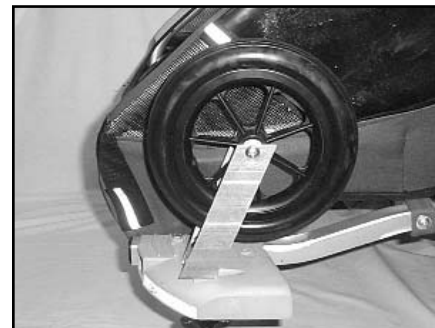
Remove the 5-star knob from the wheel assembly and insert the threaded tube upwards through the large hole in the wheel arm attachment bracket.



Thread the 5 star knob onto the threaded tube and tighten securely. Repeat with the other wheel.

CAUTION: Regularly check the knobs to ensure they are tightened securely.

2.1. Storage



To store the wheels on the carrier when using another conversion kit, turn the wheel assembly upside down angled towards the back of the carrier. Insert the threaded tube downwards into the wheel arm attachment bracket. Thread the 5-star knob onto the threaded tube and tighten securely.

WARNING:

Overloading the carrier with more than 2.2 lb (1 kg) in the rear storage pouches can make the carrier unstable.

Failure to properly attach wheels could cause the wheels to fall off, resulting in an accident and serious injury.

Direct impacts against the pivoting stroller wheels could cause damage to the wheel arm attachment brackets.

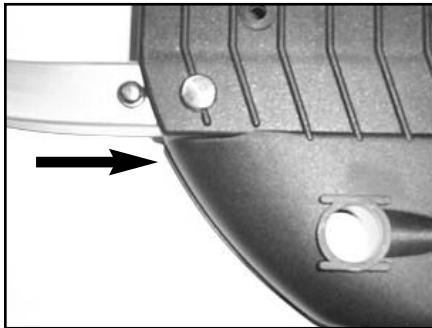
The following safety precautions should be followed, otherwise injury or death to you or to your passengers could result:

- Use wrist safety strap at all times.
- Always use seat belts.
- Always use parking brake when stroller is stationary.
- Never in-line skate with the stroller kit.
- Never climb or descend stairs with the stroller.
- Use extreme caution on hills.

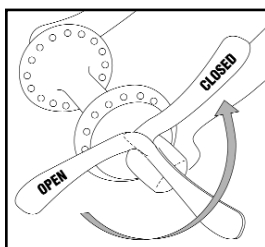
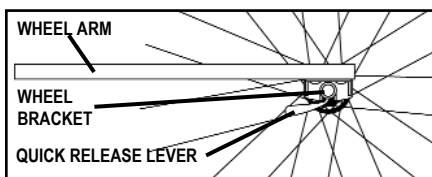
JOGGING CTS KIT



3.0 Installation

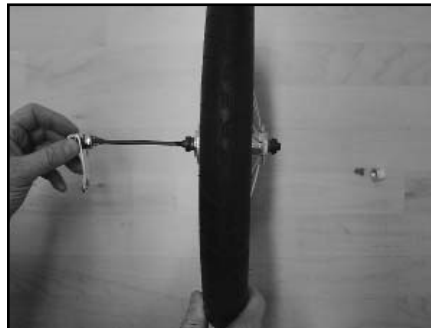


Remove any other conversion kits from the wheel arm attachment bracket. Insert the wheel arms by pressing the small button and sliding the arm into the wheel arm attachment bracket. The large button should engage into the hole on the wheel arm attachment bracket.



Close the quick release lever by pushing it flat against the wheel bracket. When the nut is properly

adjusted, you will feel resistance halfway through tightening the lever. Make sure the lever is closed towards the back of the carrier.



Install the quick release axle through the wheel's hollow axle with a spring on each side of the wheel. Screw the nut onto the other side of the skewer axle.

WARNING:

Failure to properly attach wheels could cause the wheels to fall off, resulting in an accident and serious injury.

Overloading the carrier with more than 2.2lb (1kg) in the rear storage pouches can make the carrier unstable.

The following safety precautions should be followed otherwise injury or death to you or to your passengers could result:

- Use wrist safety straps at all times.
- Always use seat belts.
- Always use parking brake when stroller is stationary.
- Never in-line skate with the jogging kit.
- Never climb or descend stairs with the jogging kit.
- Use extreme caution on hills.



Slide the wheel axle all the way into the wheel bracket dropouts.

With the quick release lever opened 90° to the wheel brackets (ie. pointing straight out), hand-tighten the nut on the back side of the quick release skewer.

3.1 Storage



There are 3 straps attached to the outside of the storage compartment that you can use to attach the front wheel of your jogger to in the event you have purchased both a Cycling kit and Jogging kit but wish to keep the Jogging kit components with the carrier. The wheel arms can be placed inside the storage compartment.

CYCLING CTS KIT



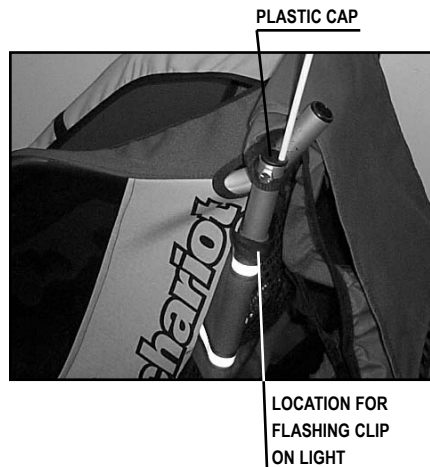
4.0 Reflectors and Flag Assembly



Attach the reflector to the spokes.

Insert orange clip into reflector and over the spoke. With a slot screwdriver, turn the clip until reflector is tight and unable to shift.

Attach the red reflector to the left grommet on the rear of the back storage bag.



Insert flag into hole located in the plastic cap on the upper left rear side of frame. Slide flag down into hole until flag touches the bottom of the tube.

Note: For additional visibility you may wish to purchase a battery powered clip-on light from your local Chariot retailer. This light can be connected to the top rear of the fabric sleeve (left side sleeve).

WARNING:

Read and understand all of the warnings otherwise injury or death to you or to your passengers could result:

- Always use safety flag.
- Do not operate the bicycle trailer without reading and understanding this manual.
- Use extreme caution while trailering, never exceed 25 km/h and slow down to less than 10 km/h around corners and on rough roads.
- Avoid all obstacles as carriers can tip over causing serious injuries to the passenger and cyclist.
- Passenger must always use seat belts and wear an approved helmet.
- Child must be old enough to wear a helmet and to sit upright unattended. Consult pediatrician if child is less than one year old.
- Child's head, including helmet, must not protrude above upper frame.
- Never leave child unattended in carrier.
- Do not exceed the maximum capacity for a single carrier of 75lb (34kg) and for a double carrier of 100 lb (45kg) including children and cargo.
- Cyclist must be an experienced, strong rider.

4.1 Attaching Your New Quick Release (QR) Skewer & Axle Mounted Hitch Cup to Your Bicycle



Remove your existing QR skewer from your bicycle rear wheel hub. Remove the QR nut and one Skewer Spring from the Hitch QR Skewer.

Insert the Hitch QR Skewer making sure that the cup washer is next to the QR Lever and the Axle Mounted Hitch Cup is on the outside of the bicycle frame drop out. Ensure that the Axle Mounted Hitch Cup is oriented so that the cup itself is below the Hitch QR Skewer and the cup opening is facing forward.



Note: the small diameter of the Skewer Springs should point inward towards the hub axle.

Position the Hitch QR Lever so it points straight out from the hub (open position). Tighten the QR Nut on the opposite end of the Hitch QR Skewer until finger tight.



Move the Hitch QR Lever to the closed position. It should take a noticeable amount of force to close the lever (it should leave an imprint of the lever on your palm). The Hitch QR Lever should always be closed so that the lever points to the rear of the bike. This will prevent the Hitch QR Lever from catching and opening while you are riding.

4.2 Attaching Your Axle Mounted Hitch Cup to Your Bicycle if You Have a Solid Axle Style Hub

Note: The Hitch QR Skewer will not be used with a solid axle style hub.

Remove the axle nut from your bicycles rear wheel hub axle (Note: if there is a washer, remove and discard it – the Axle Mounted Hitch Cup will replace it). Install the Axle Mounted Hitch Cup on the wheel hub axle. Ensure that the Axle Mounted Hitch Cup is oriented so that the cup itself is below the solid Axle Bolt and the cup opening is facing forward. Reinstall the axle nut and tighten.

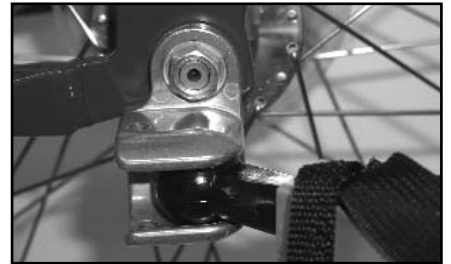
4.3 Hitch Arm Assembly



Remove any other conversion kits from the wheel arm attachment bracket. Insert the hitch arm by pressing the small button and sliding the arm into the wheel arm attachment bracket. The large button should engage into the hole on the wheel arm attachment bracket.

Insert the securing pin down through the small rear hole in the wheel arm attachment bracket.

4.4 Attaching Your Carrier to the Hitch Cup on Your Bicycle



Place the CH-5 Hitch Ball into the Axle Mounted Hitch cup (inserted from the forward open end). Fully insert the hitch ball into the axle mounted hitch cup.



Place the Securing Pin through the holes on the front of the Axle Mounted Hitch Cup so as to trap the CH-5 Hitch Ball in the Axle Mounted Hitch Cup. The Securing Pin must be installed from the top of the Axle Mounted hitch cup. Pull the rubber strap over the front of the Axle Mounted Hitch Cup and over the securing pin end. The "Chariot" logo should face forward.



Wrap the Hitch Back-up Safety Strap around the bicycle chainstay and attach the safety clip to the D-ring on the hitch arm. If the Hitch Back-up Safety Strap is not long enough to wrap around the bicycle chainstay (because of a non typical rear triangle), wrap it around the rear axle flange (between the drop out and the wheel hub).

WARNING: Failure to properly install and tighten the QR skewer or axle nut could cause hitch failure and wheel loss resulting in serious injury or death.

Failure to insert securing pin could cause the carrier to separate from the bicycle resulting in an accident and serious injury.

Failure to properly attach the hitch back-up safety strap could result in loss of carrier and serious injury or death to the occupants.

Do not use the hitch if you cannot properly install the hitch back-up safety strap to your bicycle. See your Chariot Dealer for possible alternatives.

X-COUNTRY SKIING CTS KIT



5.0 Installation



Remove any other conversion kits from wheel arm attachment brackets. Insert X-Country skiing arms into the wheel arm attachment brackets and secure using safety snap pins.



Insert the X-Country skiing axle into the hollow axle on the carrier.

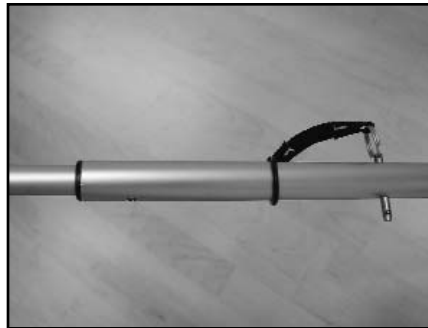
WARNING: Failure to properly attach XC skiing kit arms and axles could cause the carrier to separate from you, resulting in an accident and serious injury or death.

5.1 Shoulder Harness Adjustments



The waist belt comes adjusted in the largest setting, however you may adjust to a narrower setting by removing the bolts and reattaching them to the rear grommets.

Securely attach the waist harness around your waist with the buckle in front and the poles adjusted to your hip area.



Adjust the length of the XC skiing kit arms by sliding the inner tube out until the hole on the inner tube lines up with the hole on the outer tube. Insert securing pin.

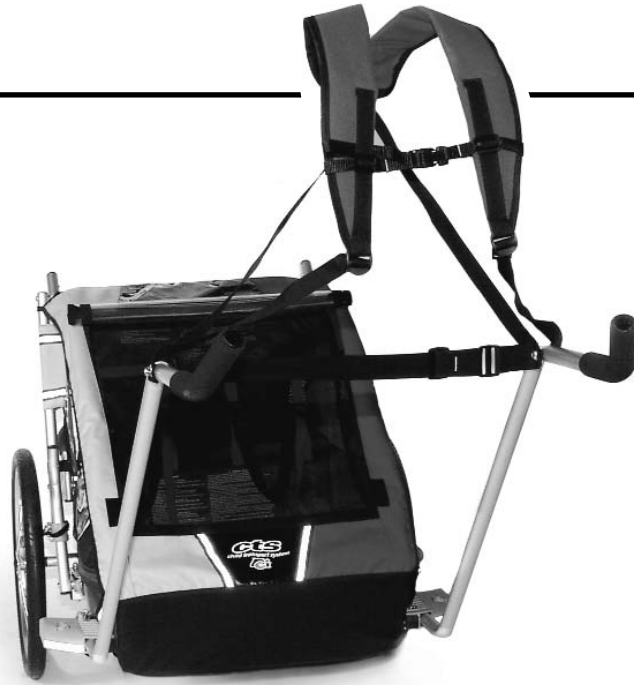
Note: The arms have 3 adjustment positions.

WARNING:

Read and understand all of the warnings otherwise injury or death to you or to your passengers could result:

- Only an experienced skier should use the X-Country skiing kit.
- Do not exceed the maximum load recommended for your carrier.
Important: This weight may be too heavy for some skiers.
- The extra length and width of the XC skiing kit will require additional attention while passing others on the trail or skiing on narrower trails.
- Always use seat belts.
- Never leave children unattended in carrier.
- Regularly monitor your children to ensure they are comfortable and warm.
- Do not X-Country ski below -20°C. Plastic windows can crack at these low temperatures.
- Never use your X-Country skiing kit for down hill skiing and never tow it behind a snow mobile.
- Use extreme caution on hills, aggressive trails, and when stopping!
- Take the X-Country skiing kit for a practice run (weighted greater than your expected load with children and cargo) over more various terrain than you expect to ski, until you are skilled in handling the X-Country skiing kit. Have another adult with you to assist you in case you run in to difficulties (i.e. X-Country skiing kit is too heavy for the terrain you were expecting to ski).
- Make sure the length of the arms on your XC skiing kit are adjusted correctly, to ensure that your skis or poles will not be in contact with the carrier.

HIKING CTS KIT



6.0 Installation



Remove any other conversion kits from wheel arm attachment brackets. Insert hiking kit arms into wheel arm attachment brackets and secure using safety snap pins.

WARNING: Failure to properly attach hiking kit arms could cause the carrier to separate from you resulting in serious injury or death to the passengers.



Adjust the front shoulder straps, up or down, so that the waist belt is level with your waist.

6.1 Shoulder Harness Adjustments



Adjust rear shoulder strap so that the point where the strap inserts into the buckle is 75mm (3 inches) below the base of your neck.



Adjust the width of the waist belt so that the hiker bars are spaced "hip width" apart.

Optional: Secure the sternum strap and adjust its height and tension.

Note: These adjustments are general guidelines. Make the necessary adjustments to maximize your comfort.

WARNING:

Read and understand all of the warnings otherwise injury or death to you or to your passengers could result:

- Never in-line skate or run with the hiking kit.
- Use extreme caution on steep hills, aggressive trails, and when stopping! When descending, use the handles for additional support.
- Take the hiking kit for a practice hike (weighted greater than your expected load with children and cargo) over more various terrain than you expect to hike until you are skilled in handling the carrier. Have another adult with you to assist in case the carrier is too heavy.
- Do not exceed the maximum load recommended for your carrier. *Important: This weight may be too heavy for some hikers.*
- The extra length of the hiking kit and carrier will require more time and room to cross intersections and to negotiate corners.
- Always use seat belts.
- Never leave children unattended in carrier.

ACCESSORIES

The following high quality Chariot accessories are available for purchase at your local Chariot retailer.

CHARIOT ACCESSORIES:

Hydration Kit: Water bottles and brackets for Jogging/Strolling Kits.

Jogging Brake Kit: Brake and attachments for Cheetah 1, 2 & Cougar 1, 2.

Travel Bag 1: Heavy duty travel bag with wheel covers for single child carriers.

Travel Bag 2: Heavy duty travel bag with wheel covers for double child carriers.

Chariot Backpack Set: A backpack/diaper bag for parent and a small backpack for junior.

Axle-Mount ez-Hitch™ - Partial: Hitch components required for adding a hitch to a second bike.

Storage Cover 1: A cover to protect single child carriers from the elements (while stored).

Storage Cover 2: A cover to protect double child carriers from the elements (while stored).

Plastic Rain Cover: Additional rain protection for Cheetah 1 or Cougar 1.

Plastic Rain Cover: Additional rain protection for Cheetah 2 or Cougar 2.

Infant Sling: A lateral support sling for the youngest Chariot passengers.

X-Country Cargo Rack 1: Add ultra convenient supplemental storage for Cheetah 1 or Cougar 1.

X-Country Cargo Rack 2: Add ultra convenient supplemental storage for Cheetah 2 or Cougar 2.

Bunting Bag: An over-sized, all season bunting bag.

Baby Supporter: To assist a baby with sitting upright and adds extra comfort during naps.

NOTES



LIMITED LIFETIME WARRANTY/GARANTIE À VIE LIMITÉE

CHARIOT CARRIERS INC. warrants that the frame is free of defects for the lifetime of the product. The fabric and hitch are warranted for one year following the date of delivery to the original purchaser. This warranty does not include the wheels and tires. This warranty is valid only to the original purchaser and under normal use.

Repairs must be made by CHARIOT CARRIERS INC. or an authorized dealer, otherwise this warranty is void. CHARIOT CARRIERS INC. reserves the right to repair or replace the warranted carrier.

This warranty does not apply to damages caused by misuse of this product, accidental or intentional damage, neglect or commercial use. Excluded from this warranty is liability for consequential property or commercial damages or for damages for loss of use.

This constitutes the only warranty of CHARIOT CARRIERS INC. and its authorized agents and dealers and no other warranty or conditions, statutory, parole, collateral or otherwise (including conditions requiring compliance with description, fitness for purpose and merchantable quality) shall be implied.

CHARIOT CARRIERS INC. garantit le cadre contre tout défaut tant que le produit sera utilisé et garantit aussi le tissu ainsi que le dispositif d'attelage pendant un an à compter de la date de livraison du produit à l'acheteur d'origine. La présente garantie ne s'applique pas aux roues ni aux pneus et elle n'est valable que pour l'acheteur d'origine, dans des conditions normales d'utilisation.

Les réparations doivent être effectuées par CHARIOT CARRIERS INC. ou un détaillant autorisé sans quoi la garantie devient nulle et non avenue. CHARIOT CARRIERS INC. se réserve le droit de réparer ou de remplacer la remorque.

La présente garantie ne s'applique pas à des problèmes découlant d'une utilisation abusive du produit, aux dommages intentionnels ou accidentels, aux cas de négligence ni à ceux d'utilisation à des fins commerciales. La garantie ne porte pas non plus sur la responsabilité pour dommages indirects à la propriété ou aux biens, ni à la privation de jouissance. Il s'agit de la seule garantie accordée par CHARIOT CARRIERS INC. et ses détaillants ou agents autorisés. Aucune autre garantie ou condition réglementaire, verbale, accessoire ou autre (y compris toute condition exigeant la conformité à la description, à l'usage souhaité ou à la qualité marchande) n'est sous-entendue.

WARRANTY/GARANTIE

To validate your warranty and for contacting you for any future potential safety notices, please complete the following information and send to: Pour que votre garantie entre en vigueur, fournissez les renseignements suivants et faites-les parvenir à: Chariot Carriers Inc., Bay F, 6810 - 6th Street SE, Calgary, Alberta, T2H 2K4, CANADA. You can also validate your warranty on-line at www.chariotcarriers.com.

Name/Nom: Model/Modèle:
Address/Adresse: Serial #/N° de Série:
City/Ville: Province or State: Country/Pays:
Postal Code or Zip Code/Code Postal: Telephone/Téléphone:()
Date of Purchase/Date d'achat: Store & Location/Magasin et Ville:

I purchased a CHARIOT CARRIER for the following reason(s)/J'ai choisi CHARIOT CARRIER pour les raisons suivantes:

- reasonable price/prix raisonnable
easy to assemble/facile à assembler
recommended by friend/recommandation
the many features/caractéristiques
quality of product/qualité du produit
North American made/fait au Amérique du Nord
visited Chariot's web site/consultation du site web
saw an advertisement/publicité
lifetime warranty/garantie à vie
CTS Conversion Kits/trousses CTS
recommended by salesperson/vendeur

Additional comments/autres commentaires:

Blank lines for additional comments.