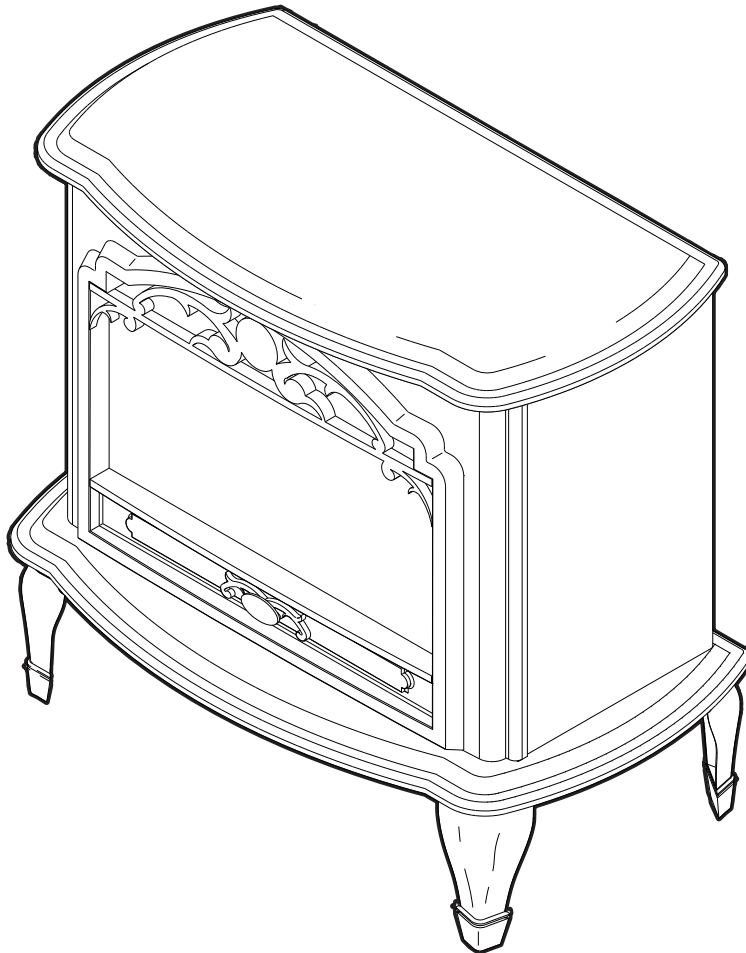


**PARTS AND SERVICE MANUAL**

**FOR**

**DIMPLEX PURIFIRE ELECTRIC STOVE**  
**Model TDS8515**

**Dimplex<sup>®</sup>**



7400050000R01

## Table of Contents

OPERATION .....	2
WIRING DIAGRAM .....	5
REPLACEMENT PARTS.....	7
UPPER LIGHT BULB REPLACEMENT.....	8
LOWER LIGHT BULB REPLACEMENT.....	9
TO REPLACE THE FILTER .....	10
TO REPLACE MAIN POWER, MANUAL SELECTION, AND LIGHT SWITCHES .....	11
TO REPLACE THE HEATER ASSEMBLY .....	12
TO REPLACE THE CIRCUIT BOARD.....	13
TO REPLACE FLAME MOTOR/FLAME ROD.....	14
TO REPLACE THE POWER CORD.....	15
TO REPLACE THE THERMOSTAT .....	16
TROUBLESHOOTING GUIDE .....	17

## OPERATION

To access the controls, go to the back of the stove.

### A. MAIN POWER ON/OFF SWITCH

The main on/off switch supplies power to all unit functions (flame, purifire, heater).

### B. MANUAL SELECTION SWITCH

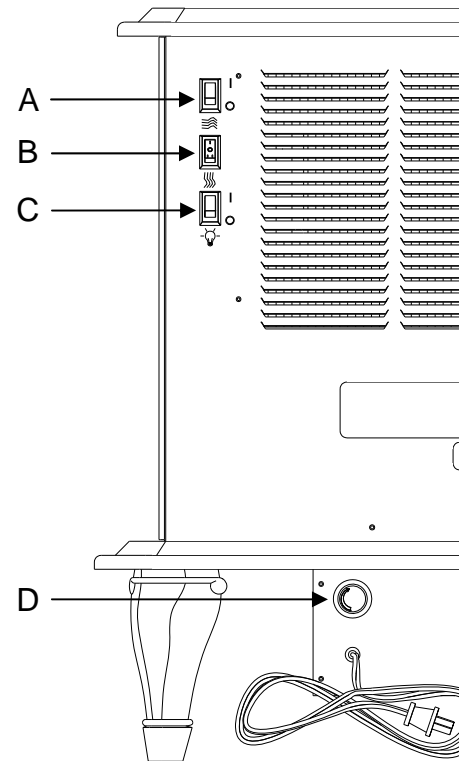
To choose between flame effect setting, flame effect with Purifire™ setting, and flame effect with Purifire™ and heat setting.

### C. INTERIOR LIGHT ON/OFF SWITCH

The interior light on/off switch supplies power to the interior light.

### D. HEATER THERMOSTAT CONTROL

To adjust the temperature to your individual requirements, turn the thermostat control clockwise all the way to turn on the heater. When the room reaches the desired temperature, turn the thermostat knob counter clockwise until you hear a click. Leave in this position to maintain the room temperature at this setting. For additional heat, turn clockwise until you hear the click again and the heater will turn on.



## RESETTING THE TEMPERATURE CUTOFF SWITCH

Should the heater overheat, an automatic cut out will turn the heater off and it will not come back on without being reset. It can be reset by switching the MAIN ON/OFF SWITCH to OFF and waiting 5 minutes before switching the unit back on.

### CAUTION

If you need to continuously reset the heater, unplug the unit and call Dimplex technical support at 1-888-DIMPLEX (1-888-346-7539) Extension 4.

### NOTE

The heater may emit a slight, harmless odor when first used. This odor is a normal condition caused by initial heating of internal heater parts and will not occur again.

# REMOTE CONTROL USAGE

This stove is supplied with a radio frequency remote control. This remote control has a range of approximately 50 feet (15.25m); it does not have to be pointed at the fireplace and can pass through most obstacles (including walls). It is supplied with one of 243 independent frequencies to prevent interference with other units. The frequency code is indicated on the back of the transmitter.

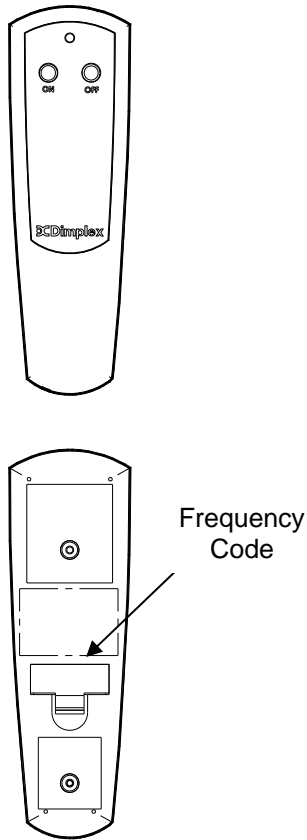


FIGURE 2

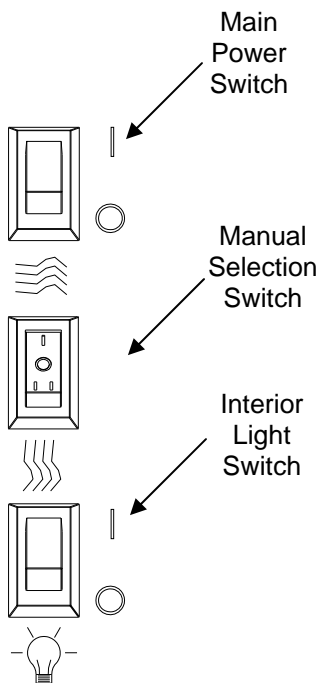


FIGURE 3

## A. Remote Control Initialization

This procedure is required every time there is a loss of power to the remote control in the fireplace. (I.e. power failure, breaker tripped, main power switch is turned off)

1. Ensure that power is supplied through main service panel.
2. Locate manual controls. (refer to FIGURE 3)
3. Activate main power switch, (“—” position) red indicator light 1 will flash.
4. Press and hold the manual selection switch for five seconds (“—” position) UNTIL the second red indicator light flashes.
5. Press ON button located on the remote control transmitter (FIGURE 2). This will synchronize the remote control transmitter and receiver.

## B. Remote Control Usage

The remote control operates the fireplace levels sequentially. The level is increased every time the ON button on the transmitter is pressed. The fireplace can be turned off at any point by pressing the OFF button on the remote control transmitter.

- Level 1: The flame effect is turned on and the first red indicator light is activated.
- Level 2: The flame effect remains on, the Purifire™ is activated, and the first and second red indicator lights are activated.
- Level 3: The flame effect and Purifire™ remain on, the heater is activated, and all three red indicator lights are activated.

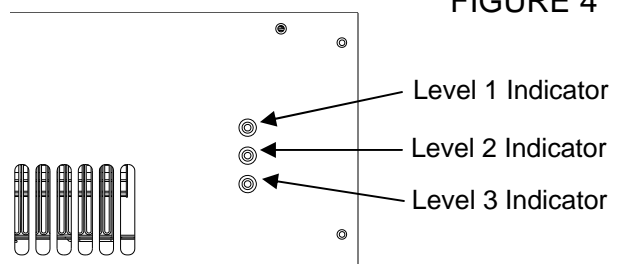


FIGURE 4

## **MANUAL SELECTION SWITCH**

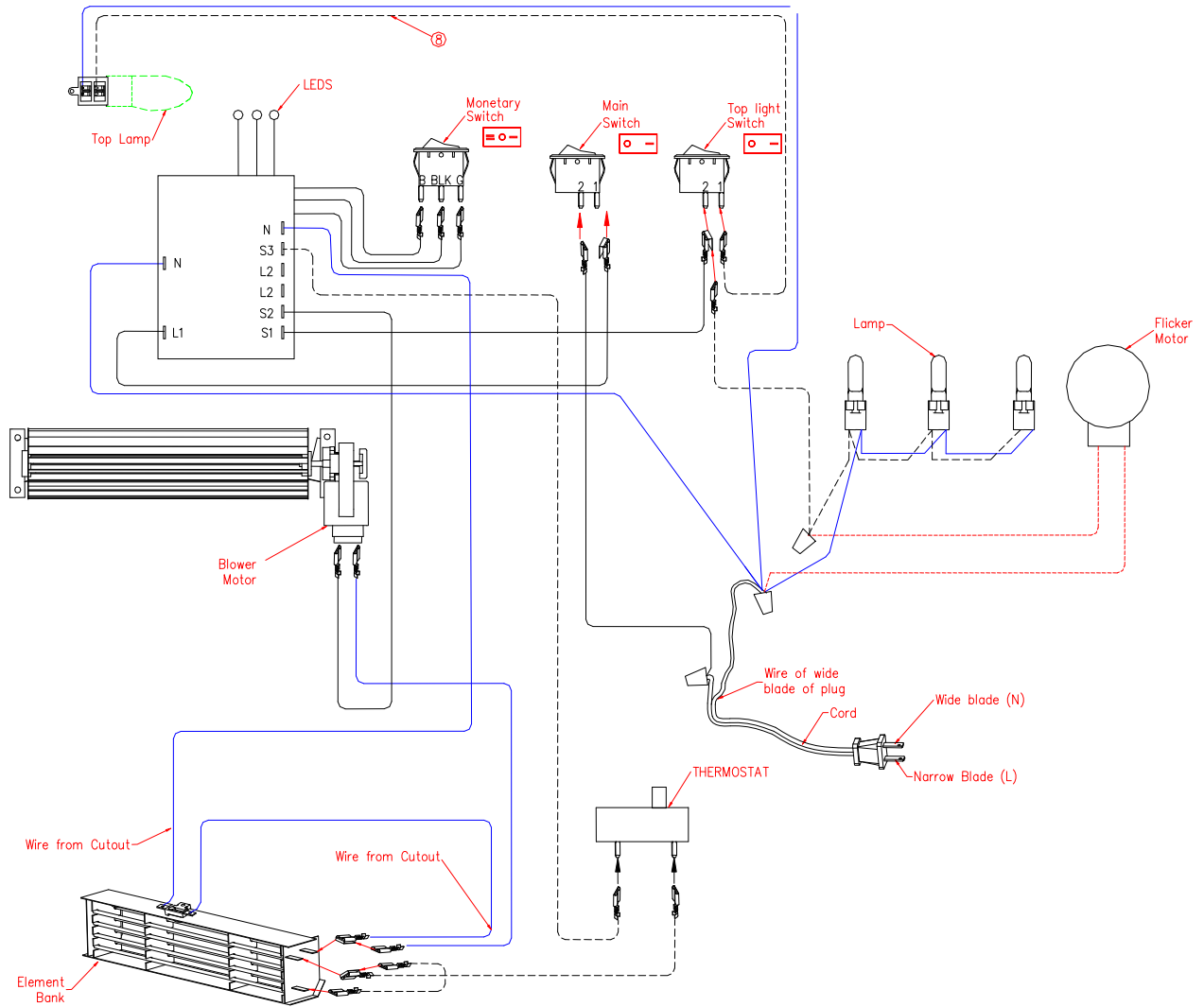
Operates the electric fireplace in the same manner as the remote control transmitter. Pressing the switch up (“ I ” position) has the same effect as the ON button on the remote control and pressing the switch down (“ II ” position) has the same effect as the OFF button of the remote control. Pressing the switch up once activates Level 1, twice activates Level 2, and three times activates Level 3. Pressing the switch down turns the electric fireplace OFF.

Level 1: The flame effect is turned on and the first red indicator light flashes momentarily.

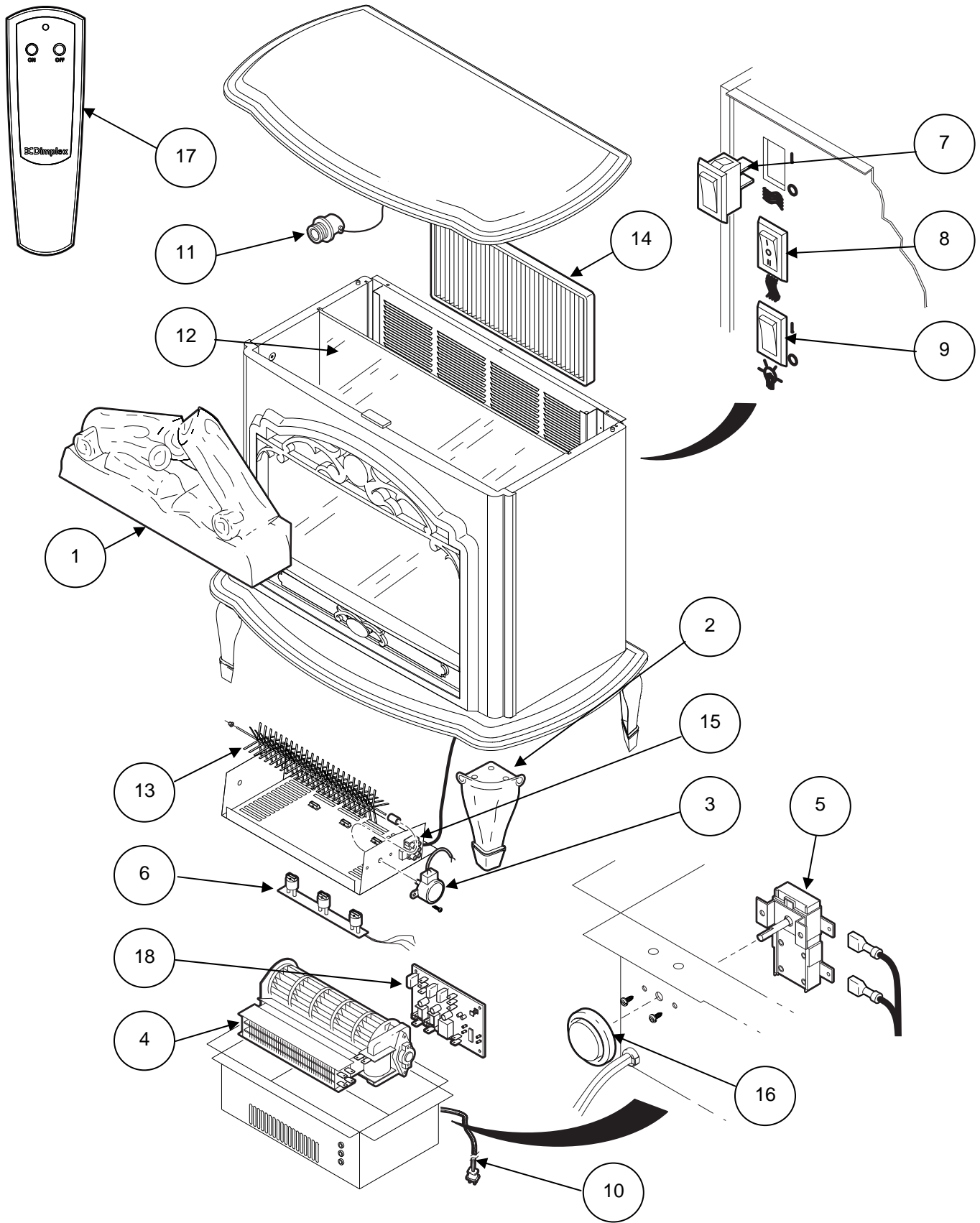
Level 2: The flame effect remains on, the heater is activated to the low heat setting, and the first and second red indicator lights flash momentarily.

Level 3: The flame effect remains on, the heater is set to the high heat setting, and all three red indicators flash momentarily.

# WIRING DIAGRAM



TDS8515



**TDS8515**

## **REPLACEMENT PARTS**

STOVE, ELECTRIC 23", PURIFIRE

**CATALOGUE NO.**  
**PART NO.**  
**MADE IN:**

**TDS8515**  
**69004712\*\***  
**CHINA**

### **REPLACEMENT PART**

1. LOG SET
2. FOOT
3. FLAME MOTOR
4. HEATER ASSEMBLY
5. THERMOSTAT
6. LOWER LIGHT HARNESS
7. ON/OFF SWITCH
8. HEATER ON/OFF SWITCH
9. UPPER LIGHT ON/OFF SWITCH
10. CORD SET
11. UPPER LIGHT HARNESS
12. MIRROR
13. REFLECTOR ASSEMBLY
14. FILTER
15. TERMINAL BLOCK
16. KNOB CONTROL
17. REMOTE TRANSMITTER
18. REMOTE RECEIVER (3-STAGE) Mod 0 - C  
Mod D

### **REPLACEMENT PART NO.**

0438200200RP  
0438210104RP  
2000210100RP  
2000230100RP  
2300150100RP  
2500280100RP  
2800070500RP  
2800070200RP  
2800070200RP  
4100040300RP  
4200120400RP  
5900060600RP  
5900080600RP  
0439060100RP  
4000070100RP  
8800000300RP  
3000370600RP  
3000431100RP  
3000820600RP

\*\* = Colour code



## TDS8515

If unit was operating prior to servicing allow at least 10 minutes for light bulbs and heating element to cool off to avoid accidental burning of skin.

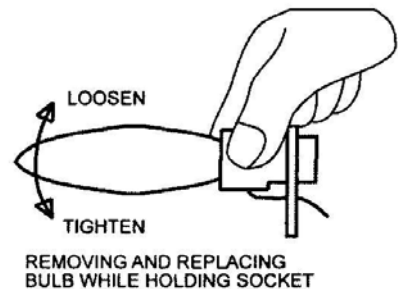
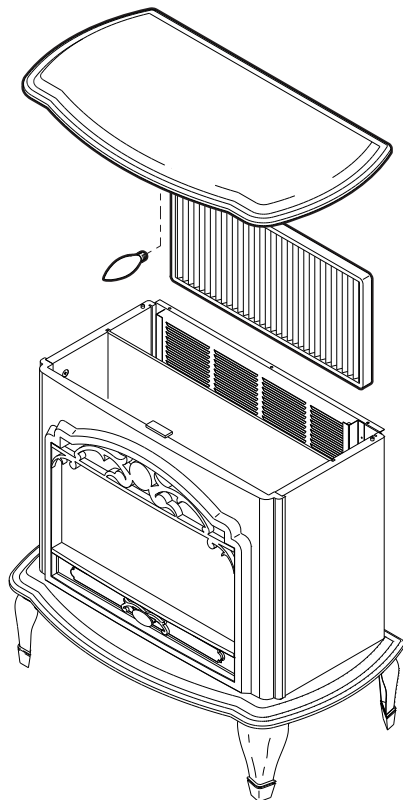
Disconnect power before attempting any maintenance or cleaning to reduce the risk of electric shock or damage to persons.

Light bulbs need to be replaced when you notice a dark section of the flame. There are four bulbs under the log set which generate the flames and embers.

It is a good idea to replace all of the light bulbs at one time if they are close to the end of their rated life. Group replacement will reduce the number of times you need to open the unit to replace the light bulbs.

## UPPER LIGHT BULB REPLACEMENT

1. Remove the 2 screws at the upper corners of the back panel.
2. Lift the back end of the top to clear the brackets and pull back. Lift top carefully and place to the side of the stove.
3. Caution should be taken as the top mounting brackets may scratch the finish.
4. Hold the socket while unscrewing the bulb.
5. Hold the socket while screwing in the new bulb.
6. Re-install the top of the stove.



### LIGHT BULB REQUIREMENTS

Quantity of 1 clear chandelier or candelabra bulbs with an E-12 (small) socket base, 15 watt rating.

## TDS8515

If unit was operating prior to servicing allow at least 10 minutes for light bulbs and heating element to cool off to avoid accidental burning of skin.

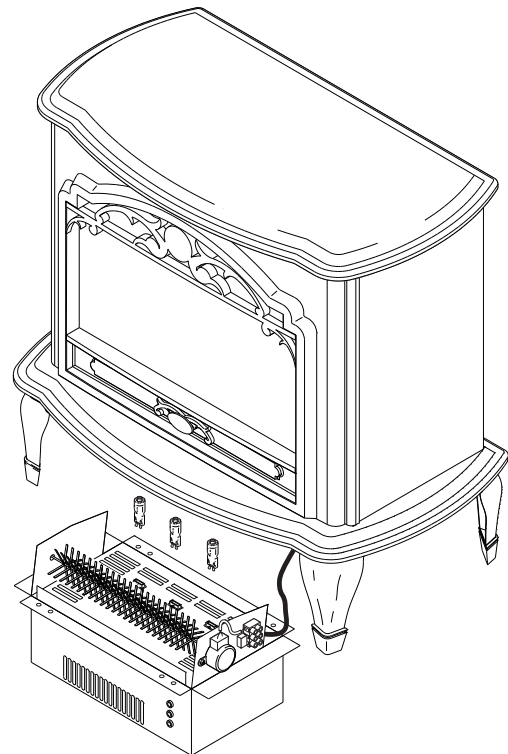
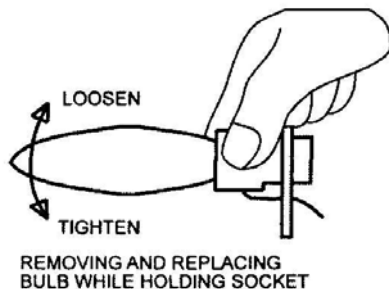
Disconnect power before attempting any maintenance or cleaning to reduce the risk of electric shock or damage to persons.

Light bulbs need to be replaced when you notice a dark section of the flame. There are four bulbs under the log set which generate the flames and embers.

It is a good idea to replace all of the light bulbs at one time if they are close to the end of their rated life. Group replacement will reduce the number of times you need to open the unit to replace the light bulbs.

## LOWER LIGHT BULB REPLACEMENT

1. Gently place stove on its back on a flat surface.
2. Remove the thermostat knob.
3. Remove the heater cover retaining screws located on the bottom of the stove and lower heater/light assembly onto the floor.
4. Remove the burnt out bulbs by pulling straight out of the socket. If bulbs are difficult to remove from socket, move bulb from side to side while pulling, being careful not to damage the light socket.
5. Replace lower light bulbs
6. Caution should be taken not to touch the glass portion of the new halogen bulbs. Doing so may lead to shorter bulb life.
7. Reassemble in the reverse order as above.



## LIGHT BULB REQUIREMENTS

Quantity of 3 -35 watt Halogen Quartz lamps, 120 volt, G9 base

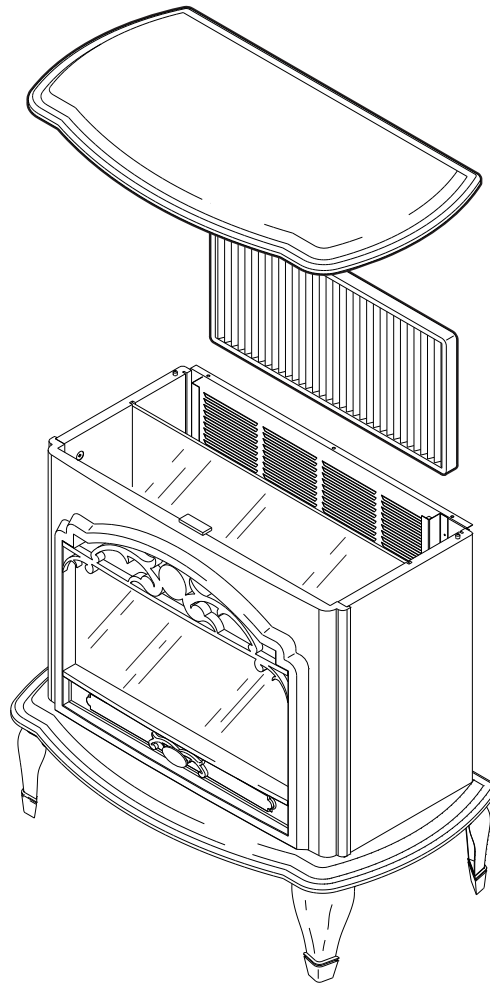
## TDS8515

If unit was operating prior to servicing allow at least 10 minutes for light bulbs and heating element to cool off to avoid accidental burning of skin.

Disconnect power before attempting any maintenance or cleaning to reduce the risk of electric shock or damage to persons.

### TO REPLACE THE FILTER

1. Remove the 2 screws at the upper corners of the back panel.
2. Lift the back end of the top to clear the brackets and pull back. Lift top carefully and place to the side of the stove.
3. Caution should be taken as the top mounting brackets may scratch the finish.
4. Remove the old filter and replace with new filter.
5. Reassemble in the reverse order as above.



## TDS8515

If unit was operating prior to servicing allow at least 10 minutes for light bulbs and heating element to cool off to avoid accidental burning of skin.

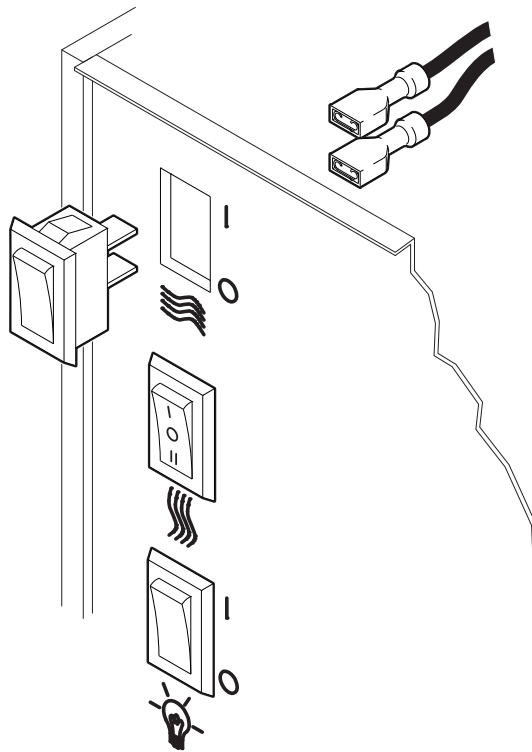
Disconnect power before attempting any maintenance or cleaning to reduce the risk of electric shock or damage to persons.

Light bulbs need to be replaced when you notice a dark section of the flame. There are four bulbs under the log set which generate the flames and embers.

It is a good idea to replace all of the light bulbs at one time if they are close to the end of their rated life. Group replacement will reduce the number of times you need to open the unit to replace the light bulbs.

## TO REPLACE MAIN POWER, MANUAL SELECTION, AND LIGHT SWITCHES

1. Remove the 2 screws at the upper corners of the back panel.
2. Lift the back end of the top to clear the brackets and pull back. Lift top carefully and place to the side of the stove.
3. Caution should be taken as the top mounting brackets may scratch the finish.
4. Locate the switch to be replaced.
5. Remove the wiring clips and connection noting their original locations
6. Depress the retainer clips on the rear of the switch and push the switch out of the



rear of the stove.

7. Re-install the top of the stove.

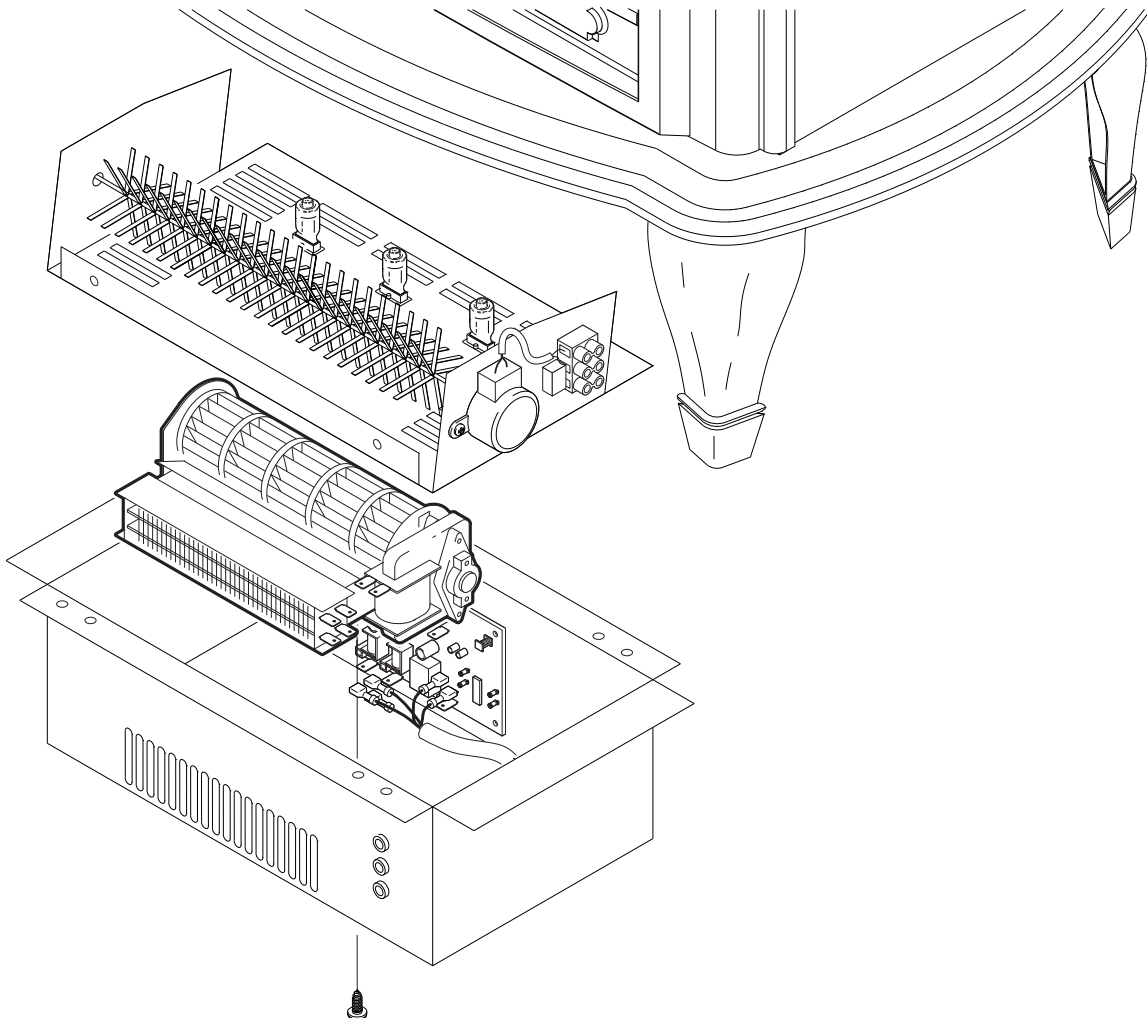
## TDS8515

If unit was operating prior to servicing allow at least 10 minutes for light bulbs and heating element to cool off to avoid accidental burning of skin.

Disconnect power before attempting any maintenance or cleaning to reduce the risk of electric shock or damage to persons.

### TO REPLACE THE HEATER ASSEMBLY

1. Gently place stove on its back on a flat surface.
2. Remove the thermostat knob.
3. Remove the heater cover retaining screws located on the bottom of the stove and lower heater/light assembly onto the floor.
4. Remove the reflector rod and motor assembly by removing the screws on the front and rear of the heater cover.
5. Remove the heater retaining screws from the bottom of the heater cover.
6. Disconnect the wiring clips and connections noting their original locations.
7. Reassemble in the reverse order as above.



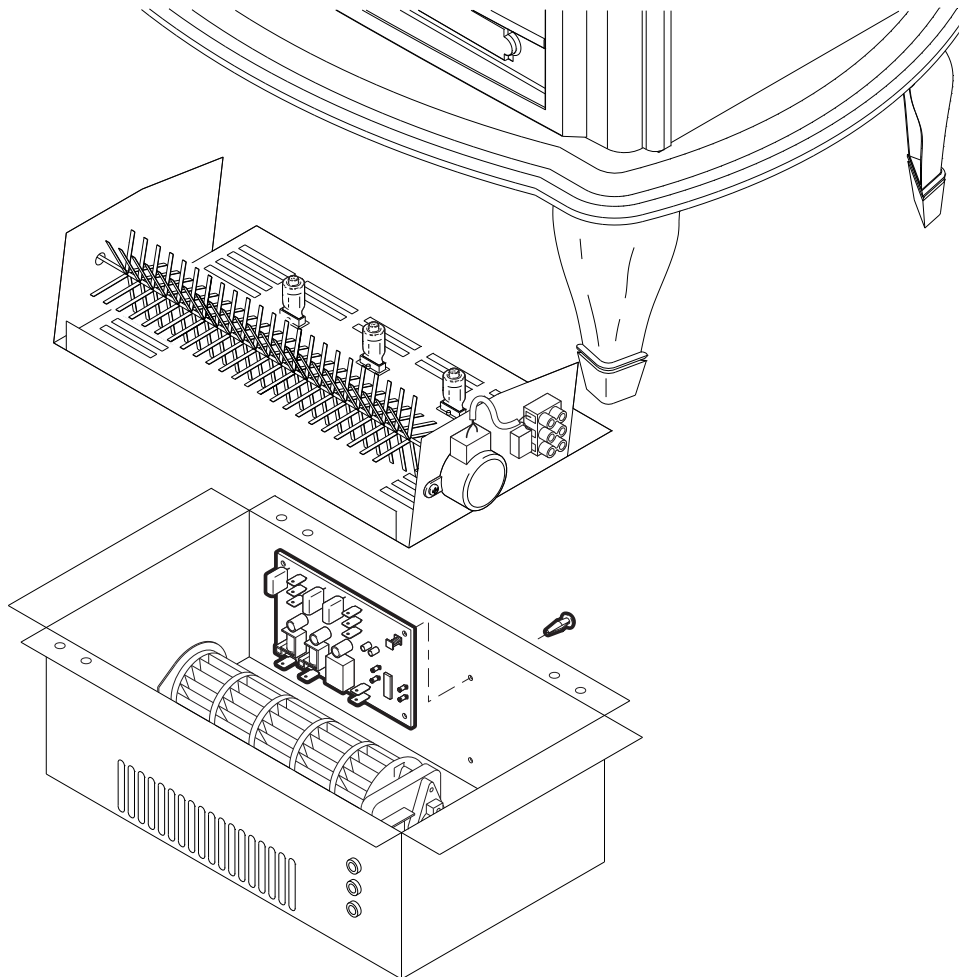
## TDS8515

If unit was operating prior to servicing allow at least 10 minutes for light bulbs and heating element to cool off to avoid accidental burning of skin.

Disconnect power before attempting any maintenance or cleaning to reduce the risk of electric shock or damage to persons.

### TO REPLACE THE CIRCUIT BOARD

1. Gently place stove on its back on a flat surface.
2. Remove the thermostat knob.
3. Remove the heater cover retaining screws located on the bottom of the stove and lower heater/light assembly onto the floor.
4. Remove the reflector rod and motor assembly by removing the screws on the front and rear of the heater cover.
5. Disconnect the wiring clips and connections from the circuit board, noting their original locations.
6. From inside the fireplace, break off the six mounting studs on the circuit board by grasping with pliers and twisting on the protruding part of the stud, push the remainder of the studs out through the top panel.
7. **NOTE:** New mounting studs are supplied with the replacement circuit board.
8. Properly orient the new circuit board and connect all of the wiring connections



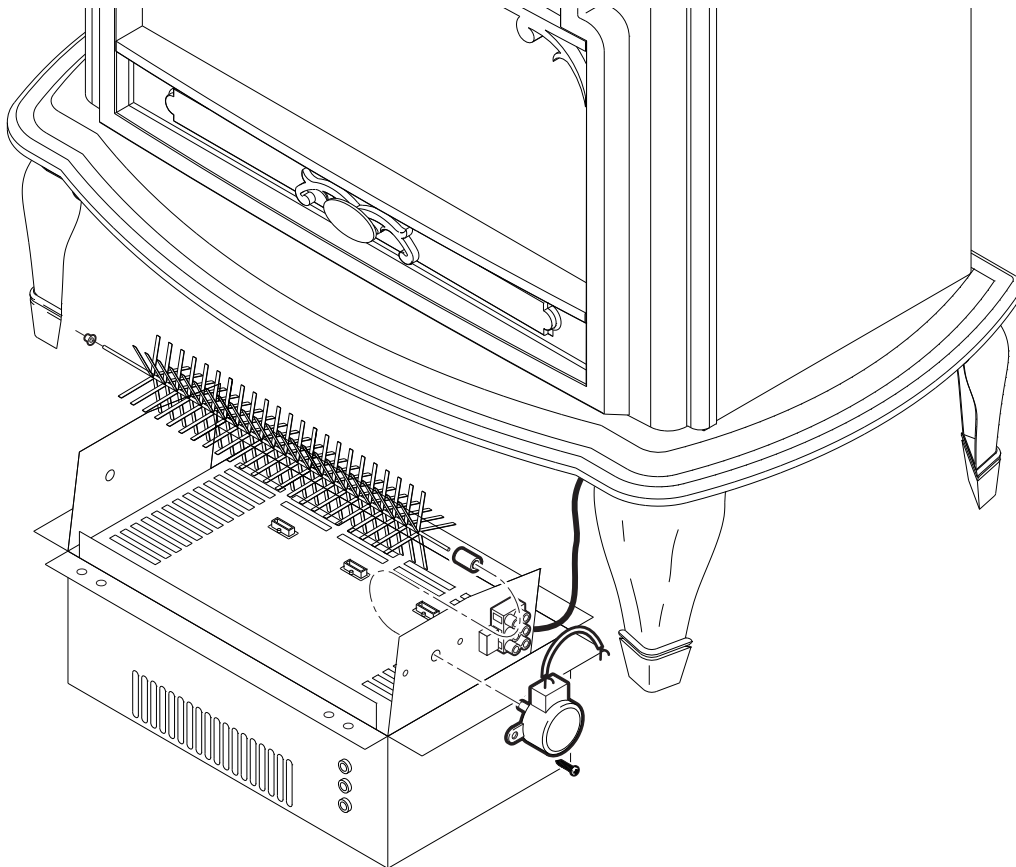
## TDS8515

If unit was operating prior to servicing allow at least 10 minutes for light bulbs and heating element to cool off to avoid accidental burning of skin.

Disconnect power before attempting any maintenance or cleaning to reduce the risk of electric shock or damage to persons.

### TO REPLACE FLAME MOTOR/FLAME ROD

1. Gently place stove on its back on a flat surface.
2. Remove the thermostat knob.
3. Remove the heater cover retaining screws located on the bottom of the stove and lower heater/light assembly onto the floor.
4. Remove the reflector rod from the flame motor by pulling the end of the rod to the left and separating it from the rubber sleeve.
5. Remove the rubber sleeve from the motor shaft.
6. Remove the 2 motor mounting screws and remove the flame motor.
7. Discard the old flame motor.
8. Lay the stove on its back with the front window facing upward.
9. Remove the bottom heater assembly cover being careful not to damage any of the wiring and lay it on the floor.
10. Loosen the flame motor connections on the terminal block and remove the wires noting their original locations.
11. Reassemble in the reverse order.



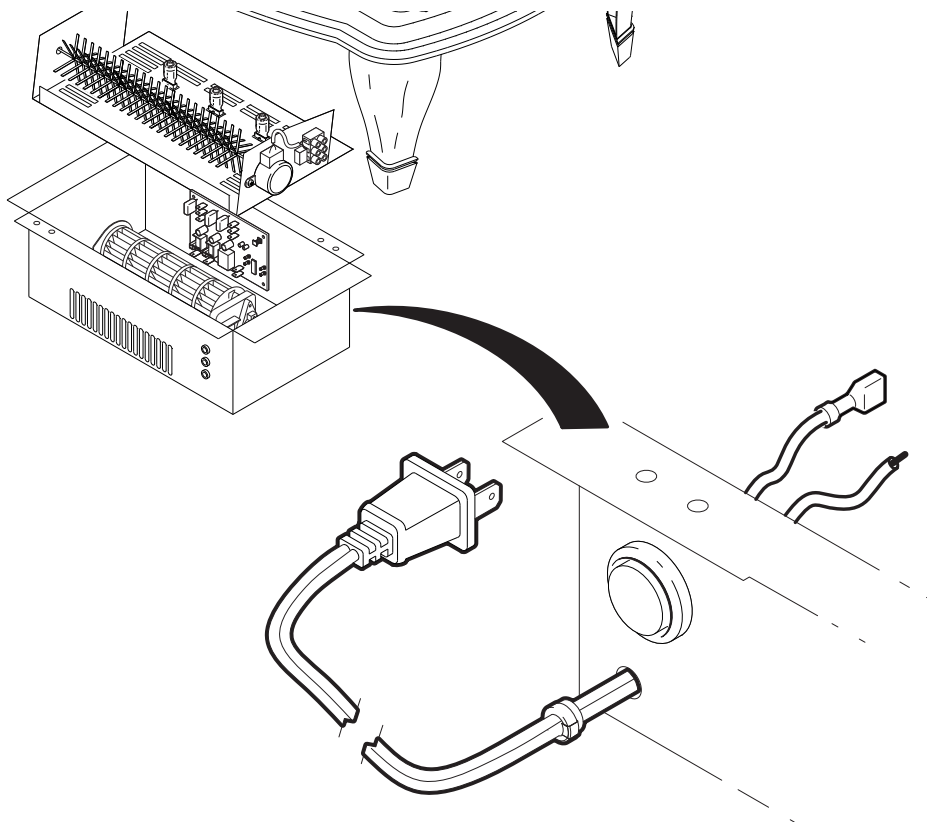
## TDS8515

If unit was operating prior to servicing allow at least 10 minutes for light bulbs and heating element to cool off to avoid accidental burning of skin.

Disconnect power before attempting any maintenance or cleaning to reduce the risk of electric shock or damage to persons.

### TO REPLACE THE POWER CORD

1. Gently place stove on its back on a flat surface.
2. Remove the thermostat knob.
3. Remove the heater cover retaining screws located on the bottom of the stove and lower heater/light assembly onto the floor.
4. Remove the reflector rod and motor assembly by removing the screws on the front and rear of the heater cover.
5. Located and disconnect the power cord wiring connections from the heater and Main on/off switch noting their original locations.
6. With needle nose pliers grasp the power cord strain relief grommet from inside the rear panel and push while twisting to remove.
7. Pull the power cord out through the hole in the rear cover.
8. Install the new cord set through the hole in the rear cover by placing the strain relief over the cord, hold the strain relief with pliers and slide into mounting hole.
9. Connect all of the wiring connections in their original locations.
10. Reassemble in the reverse order as above.





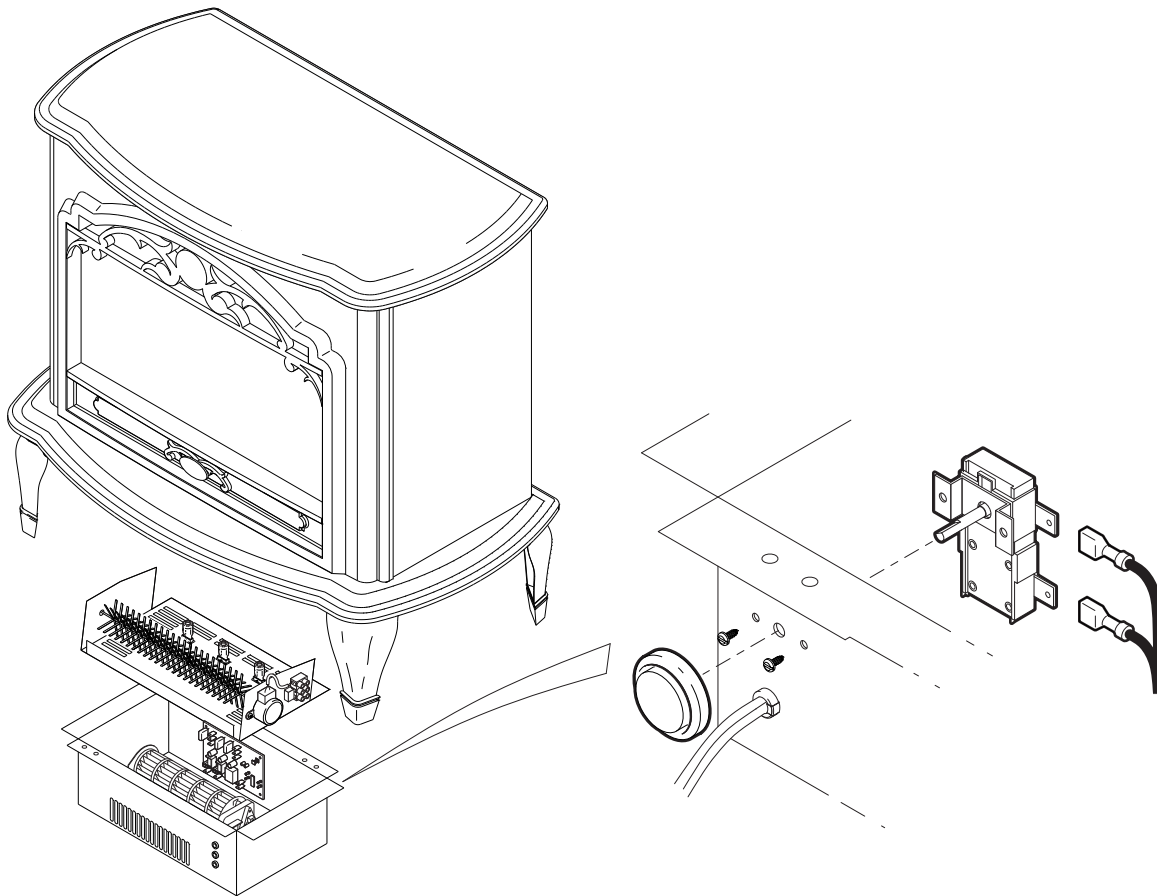
## TDS8515

If unit was operating prior to servicing allow at least 10 minutes for light bulbs and heating element to cool off to avoid accidental burning of skin.

Disconnect power before attempting any maintenance or cleaning to reduce the risk of electric shock or damage to persons.

## TO REPLACE THE THERMOSTAT

1. Gently place stove on its back on a flat surface.
2. Remove the thermostat knob.
3. Remove the heater cover retaining screws located on the bottom of the stove and lower heater/light assembly onto the floor.
4. Remove the reflector rod and motor assembly by removing the screws on the front and rear of the heater cover.
5. Disconnect the wiring clips from the thermostat.
6. Remove the 2 thermostat mounting screws and remove the thermostat.
7. Connect all of the wiring connections to the new thermostat.
8. Reassemble in the reverse order as above.



## TROUBLESHOOTING GUIDE

### GENERAL

Problem	Cause	Solution	Service Manual Reference
Circuit breaker trips or fuse blows when unit is turned on	Improper circuit current rating	Additional appliances may exceed the current rating of the circuit breaker or fuse. Plug unit into another outlet or install unit on a dedicated 15 amp circuit	
Unit turns on or off by itself	Remote control has a similar frequency to other remotes in the area	Replace hand held remote control	
	Radio frequency disturbance from outside sources		
Lights dim in room while the unit is on	Unit is drawing close to circuit current rating	Move the unit to another outlet or install unit on a dedicated 15 amp circuit	
Power cord gets warm	Normal operation	The power cord may get slightly warm to the touch when the heater is on	
	Defective power cord	Replace power cord	Page 15

### APPEARANCE

Problem	Cause	Solution	Service Manual Reference
Fireplace does not turn on	Improper operation	Refer to User's Guide	
	Defective main on/off switch	Replace main on/off switch	Page 11
	Defective optional remote control	Install new battery into the handheld transmitter	Page 3
	Loose wiring	Check wiring connections	Page 5
Flame frozen	Defective flame motor	Replace flame motor	Page 14
	Loose wiring	Check wiring connections	Page 5
Flame not bright or flame not visible	Burnt light bulbs	Replace light bulbs	Pages 8-9
	Loose wiring	Check wiring connections	Page 5
	Defective light harness	Replace light harness	
Log set dim, ember bed not glowing	Burnt light bulbs	Replace light bulbs	Pages 8-9
Flame Shutter	Defective flame motor	Replace flame motor	Page 14

## TROUBLESHOOTING GUIDE

### HEATER

Problem	Cause	Solution	Service Manual Reference
Heater is not turning off	Defective thermostat	Replace thermostat	Page 16
	Improper operation	See Operation Section	Page 2
	Loose wiring	Trace wiring in unit	Page 5
	Defective Circuit Board	Replace Circuit Board	Page 13
Heater is not turning on	Defective thermostat	Replace thermostat	Page 16
	Defective heater assembly	Replace heater assembly	Page 12
	Improper operation	See Operation Section	Page 2
	Loose wiring	Trace wiring in unit	Page 5
	Defective Circuit Board	Replace Circuit Board	Page 13
Heater emits an odour	Normal operation	Normal operation is when the heater emits an odour for a brief period after the heater is initially turned on. The heater is burning off any dust accumulated during manufacturing or operation.	
	Defective heater assembly	Replace heater assembly	Page 12
	Loose wiring	Trace wiring in unit	Page 5
Heater fan turns on but heater lacks heat	Improper operation	See Operation Section	Page 2
	Defective thermostat	Replace thermostat	Page 16
	Loose wiring	Trace wiring in unit	Page 5
	Defective heater assembly	Replace heater assembly	Page 12
Heating element is glowing red	Normal operation	Small glowing sections of the element are considered normal.	
	Defective heater assembly	If larger glowing sections are causing the heater to trip the thermal cut out, unplug unit, discontinue use and replace heater assembly	Page 12

## TROUBLESHOOTING GUIDE

### HEATER (CONTINUED)

Problem	Cause	Solution	Service Manual Reference
Heater Turns Off after a few minutes of operation but flame stays On	Build up of dirt in heater assembly	Vacuum/Clean Heater Assembly	
	Build up of dirt in Purifire Filter	Clean/Replace Filter	Page 10
	Defective Heater Assembly	Replace Heater Assembly	Page 12
Heater fan runs continuously	Loose wiring	Trace wiring in unit	Page 5
	Defective heater on/off switch	Replace heater on/off switch	Page 11
	Defective heater assembly	Replace heater assembly	Page 12

### NOISE

Problem	Cause	Solution	Service Manual Reference
Excessive noise with the heater on	Dirty blower assembly	Clean blower assembly	
	Defective blower assembly	Replace heater assembly	Page 12
Grinding or excessive noise with the heater off	Moving flame rod hitting or rubbing against internal components	Flame rod replacement	Page 14
	Defective flame motor	Replace flame motor	Page 14



1367 Industrial Road Cambridge ON Canada N1R 7G8  
1-888-346-7539 [www.dimplex.com](http://www.dimplex.com)

In keeping with our policy of continuous product improvement, we reserve the right to make changes without notice.  
© 2011 Dimplex North America Limited