

Service Manual

Microwave Oven

NN-T573SBBPQ

27

United Kingdom

Simplified



Please file and use this manual together with the service manual for Model No. NNT591WBBPQ, Order No. MOP010060022C2.

Power source :	240VAC Single Phase, 50Hz
Power requirements:	Microwave : 1300W
Output: (IEC705-88)	Microwave : 900W
Microwave Frequency	2450Mhz
Timer:	99 min 99 second
Oven cavity size	27L
Outside dimensions:	510 mm (W) X 380mm (D) x 304mm (H)
Inside dimensions	359mm (W) x 352mm (D) x 217mm (H)
Weight	11.5 Kg
Inverter power Supply	
Output Power Supply	IEC705-88 Test procedure

Specifications subject to change without notice

⚠ WARNING

This service information is designed for experienced repair technicians only and is not designed for use by the general public. It does not contain warnings or cautions to advise non-technical individuals of potential dangers in attempting to service a product. Products powered by electricity should be serviced or repaired only by experienced professional technicians. Any attempt to service or repair the product or products dealt with in this service information by anyone else could result in serious injury or death.

IMPORTANT SAFETY NOTICE

There are special components used in this equipment which are important for safety. These parts are marked by \triangle in the Schematic Diagrams, Circuit Board Diagrams, Exploded Views and Replacement Parts List. It is essential that these critical parts should be replaced with manufacturer's specified parts to prevent shock, fire or other hazards. Do not modify the original design without permission of manufacturer.

Panasonic[®]

© 1995 Matsushita Electric Industrial Co., Ltd. All rights reserved. Unauthorized copying and distribution is a violation of law.

1 Description of operation

1.1. Auto weight defrost, Auto weight Cook

When an auto control feature is selected and the start pad pressed:

1. The digital programmer circuit determines the power level and the cooking time and indicates the operating state in the display. The table shows the corresponding cooking times for each category and its respective weight.
2. When the cooking time in the display window has elapsed, the oven turns off automatically via the control signal from the digital programmer circuit.

Note: After auto cooking if the oven temperature is over the predetermined temperature the fan motor rotates to cool the oven and its components.

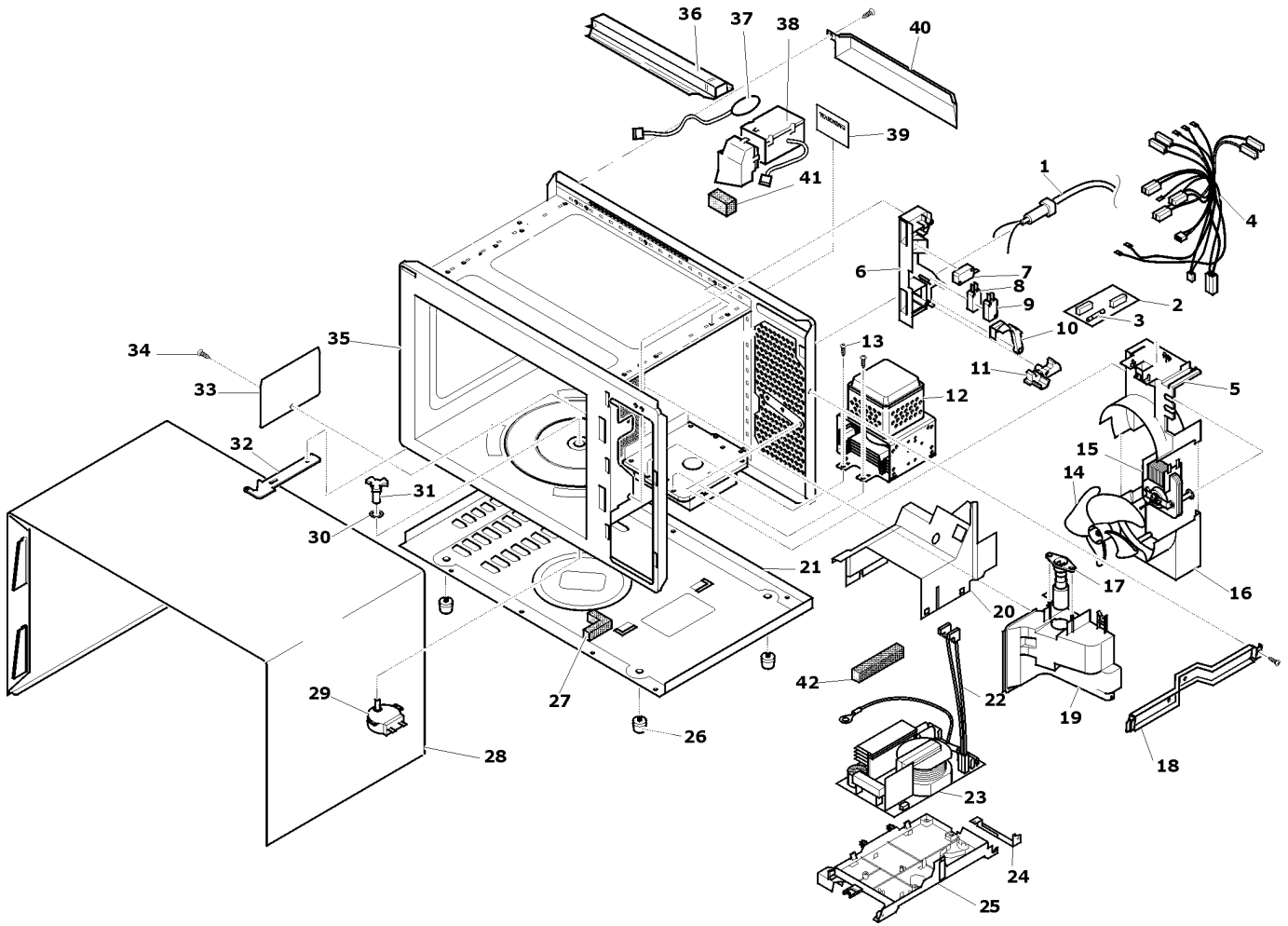
Auto Weight Defrost

Category	1st Touch Weight	Cooking Time
Bread	100g	45s
Meat Items	200g	2m 10s
Meat Joints	400g	6m 20s

Auto weight Cook

Category	1st Touch Weight	Cooking Time
1.Curry	300g	3m 30s
2.Chinese Style	200g	2m 10s
3.Pasta	250g	2m 55s
4.Casserole	300g	3m 15s
5.Fresh Fish	100g	1m 30s
6.Fresh Vegetables	100g	2m 20s
7.Chilled Crispy Top	300g	8m
8.Frozen Crispy Top	300g	12m
9.Jacket Potatoes	200g	9m
10.Frozen Potato Products	200g	8m
11.Whole Chicken	1000g	19m 20s
12.Lamb/Beef	500g	14m 40s
13.Chilled Pizza	200g	6m 40s
14.Frozen Pizza	200g	9m

2 Exploded View



3 Main Parts List

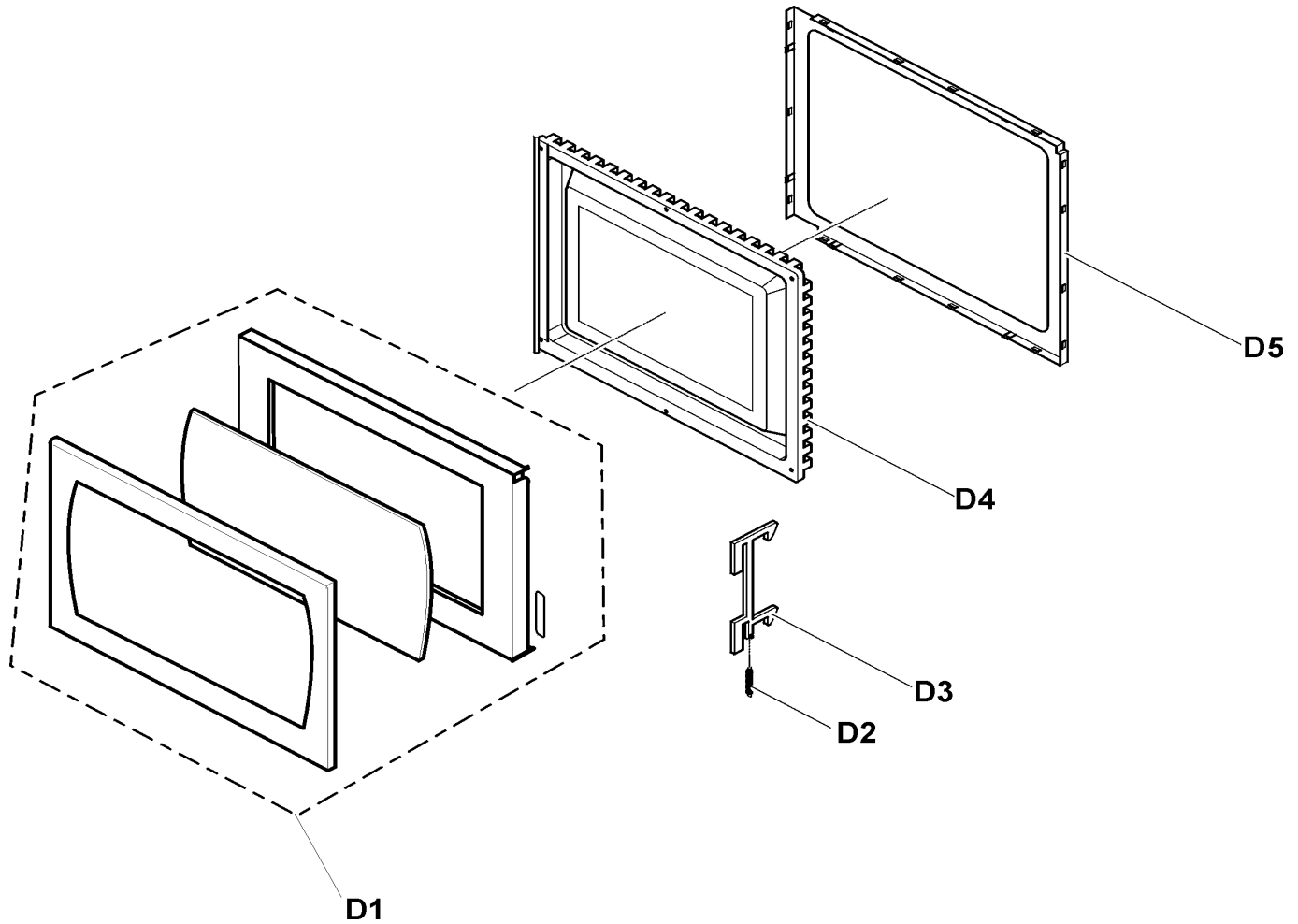
1. Part numbers are indicated on most mechanical parts. Please use these part numbers for part orders. Do not use the description of the part.

Important safety notice

1. Components identified by (!) ; mark have special characteristics important for safety. When replacing any of these components, use only the manufacturers specified parts.

Ref. No.		Part No.	Part Name & Description	Qty
1	(!)	E900C6430BP	Power Supply Cord	1
2	(!)	E607X4L00BP	Noise Filter	1
3	(!)	E67597550GP	Ceramic Fuse 10A	1
4	(!)	E030A6C90BP	Leadwire Harness	1
5		E41444N30BP	Upper Orifice	1
6		E30208000BP	Door Hook	1
7	(!)	E6142-1450	Primary Latch Switch	1
8	(!)	E61785180AP	Short Switch	1
9	(!)	E61425180AP	Secondary Latch Switch	1
10		E31384830AP	Hook Spacer C	1
11		E31374830AP	Hook Spacer B	1
12	(!)	2M236-M42G	Magnetron	1
13		XTWANE4+12B	Screw	4
14		E4008-1640	Fan Blade	1
15	(!)	E400A4760JP	Fan Motor	1
16		E42094N30BP	Lower Orrifice	1
17	(!)	E610T5D00BP	Oven Lamp Unit	1
18		E20994N30BP	Reinforcement Bracket	1
19		E40254N40GS	Air Guide A	1
20		E40474V00BP	Air Guide E	1
21		E10014N30BP	Baseplate	1
22	(!)	E030E4N30BP	HV Leadwire	1
23	(!)	E606Y4V00BP	Inverter	1
24		E66014V00BP	Inverter Earth Bracket	1
25		E65854V00BP	Inverter Support Bracket	1
26		E1008-1180	Rubber Foot	4
27		E09020000AH	Cushion Rubber	1
28		E110D5D20SBP	Outer Panel	1
29	(!)	E63268960JP	TT Motor	1
30		AEE2177-F80	Pulley Shaft Washer	1
31		E21315540AP	Pulley Shaft	1
32		E30074L00GS	Bottom Hinge	1
33		E20554L00GS	Cover A	1
34		XST4+W5V	Screw	1
35		E200A4N20BP	Oven Cavity	1
36	(!)	E64504N50BP	Sensor Unit	1
37	(!)	E607S7050AP	Steam Sensor	1
38	(!)	E407F8010BP	Steam Sensor Assembly	1
39		E00064080BP	Warning Label	1
40		E40244N30BP	Exhaust Guide	1
41		E09250000BD	Cushion Rubber	2
42		E09230000AD	Cushion Rubber	1

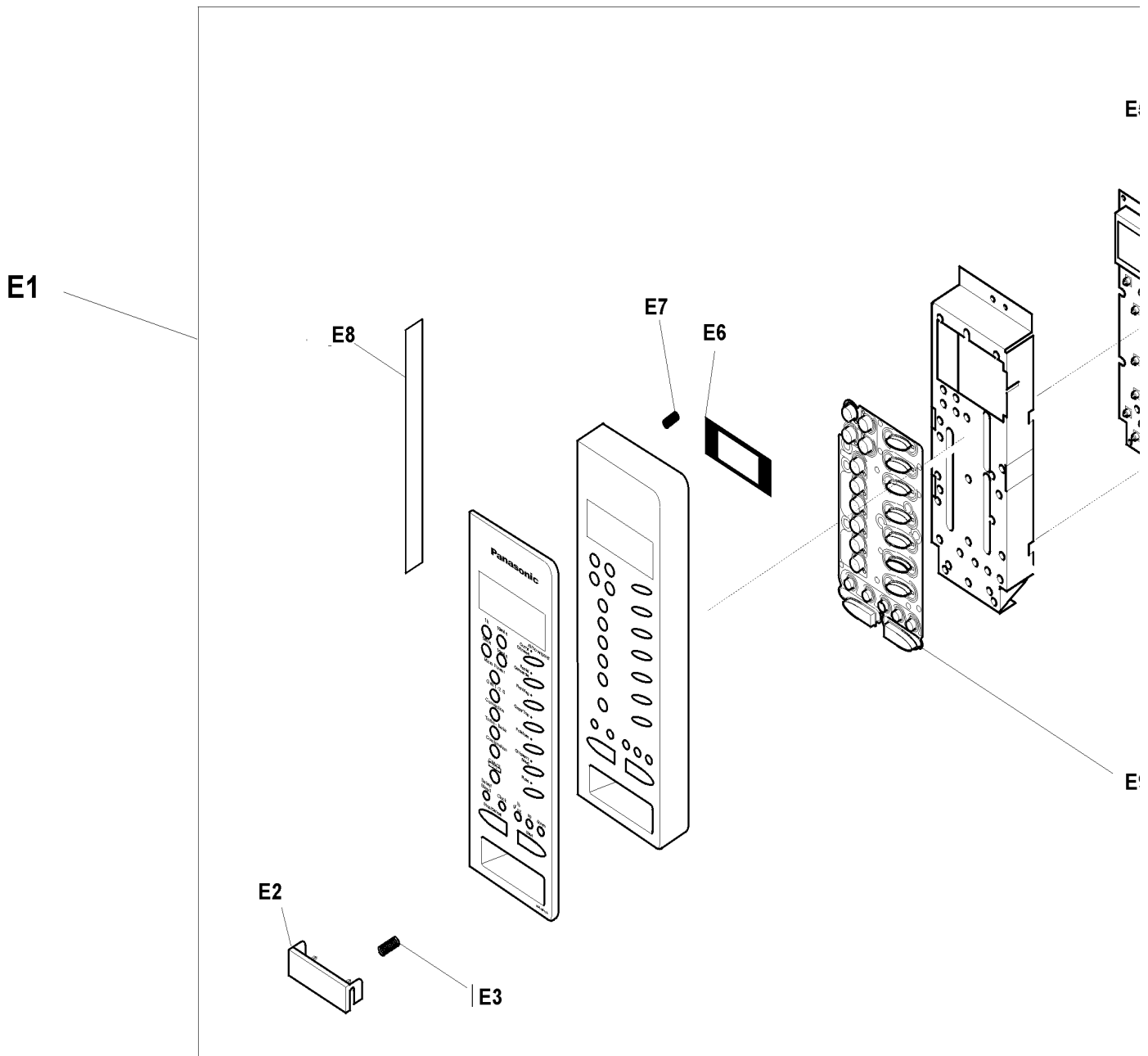
4 Door exploded view and parts list



Ref. No.	Part No.	Part Name & Description	Qty
D1	E302A6C90SBP	Door A Assembly	1
D2	E30214000AP	Door Key Spring	1
D3	E30184L00GS	Door Key	1
D4	(!) E302K4V00BP	Door E	1
D5	E30854V00BP	Door C	1

NOTE: When ordering any Door component also order door C as this part may become damaged during disassembly.

5 Escutcheon Base Exploded View and Parts Lists

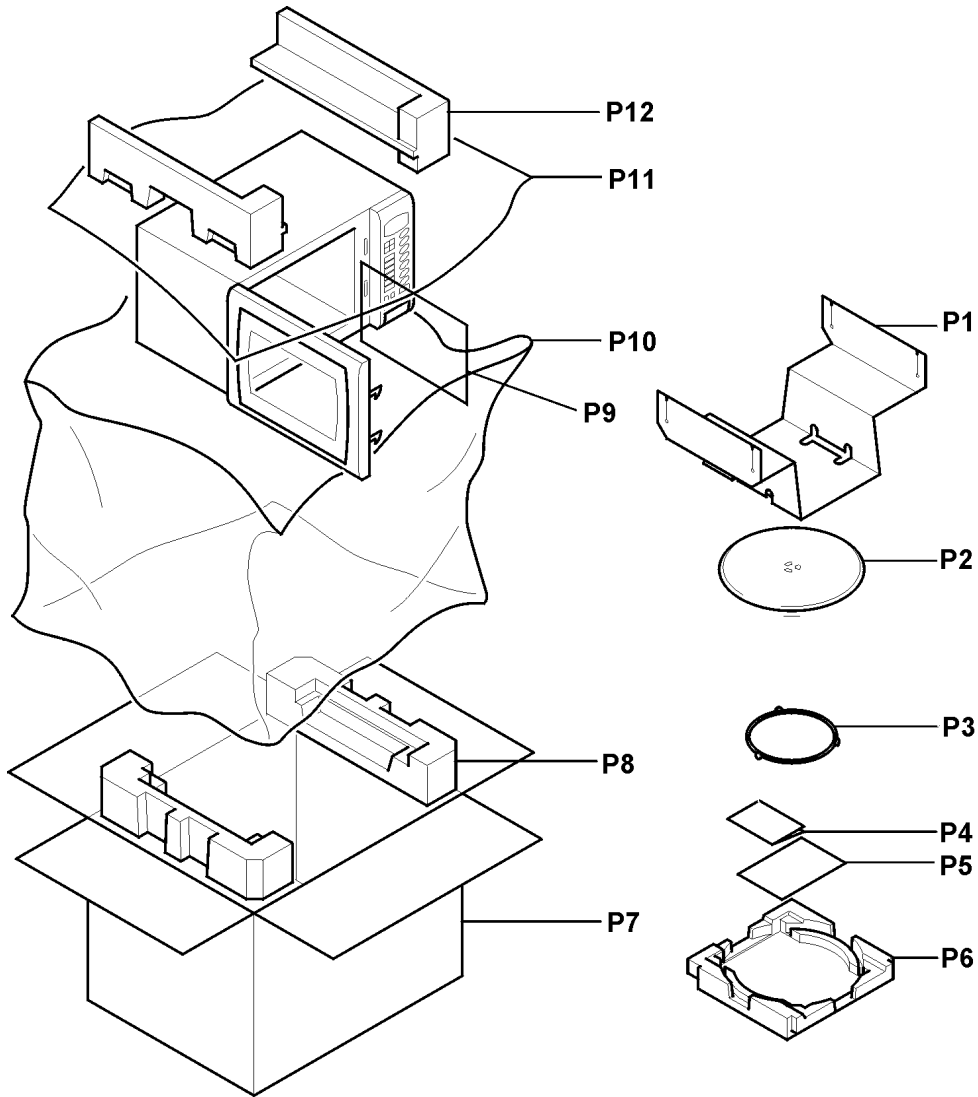


Ref. No.		Part No.	Part Name & Description	Qty
E1	(!)	E890L6C90SBP	Escutcheon base assembly	1
E2		E80726B20SBP	Door opening button	1
E3		E80375K00AP	Door opening button spring	1
E4		E82566B20ABP	Door opening lever	1
E5		E80056B20ABP	PCB spacer	1
E6		E81896B20ABP	Display window	1
E7		E80876B20ABP	Earth spring	1
E8		E00076C90SBP	Name plate	1
E9		E80246C90SBP	Operation Button	1

NOTE 1: If the part you need is not numbered in the exploded view, order E1 the complete assembly.

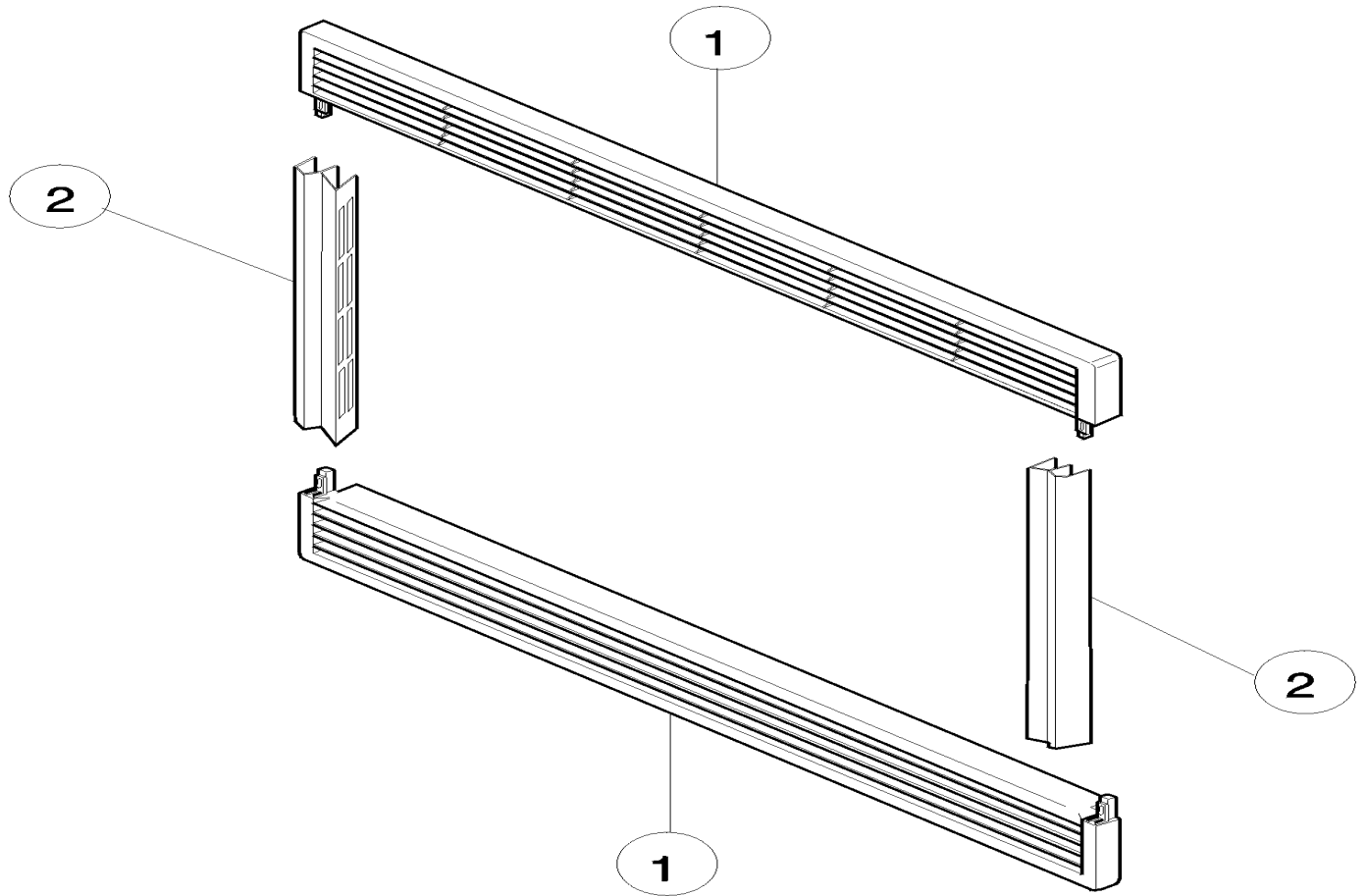
NOTE 2: When ordering a new Escutcheon base assembly (E1), also order a nameplate (E5). Write the model number and serial number of the microwave oven onto the new name plate. Fix the new name plate to the new escutcheon base assembly.

6 Packing And Accessories



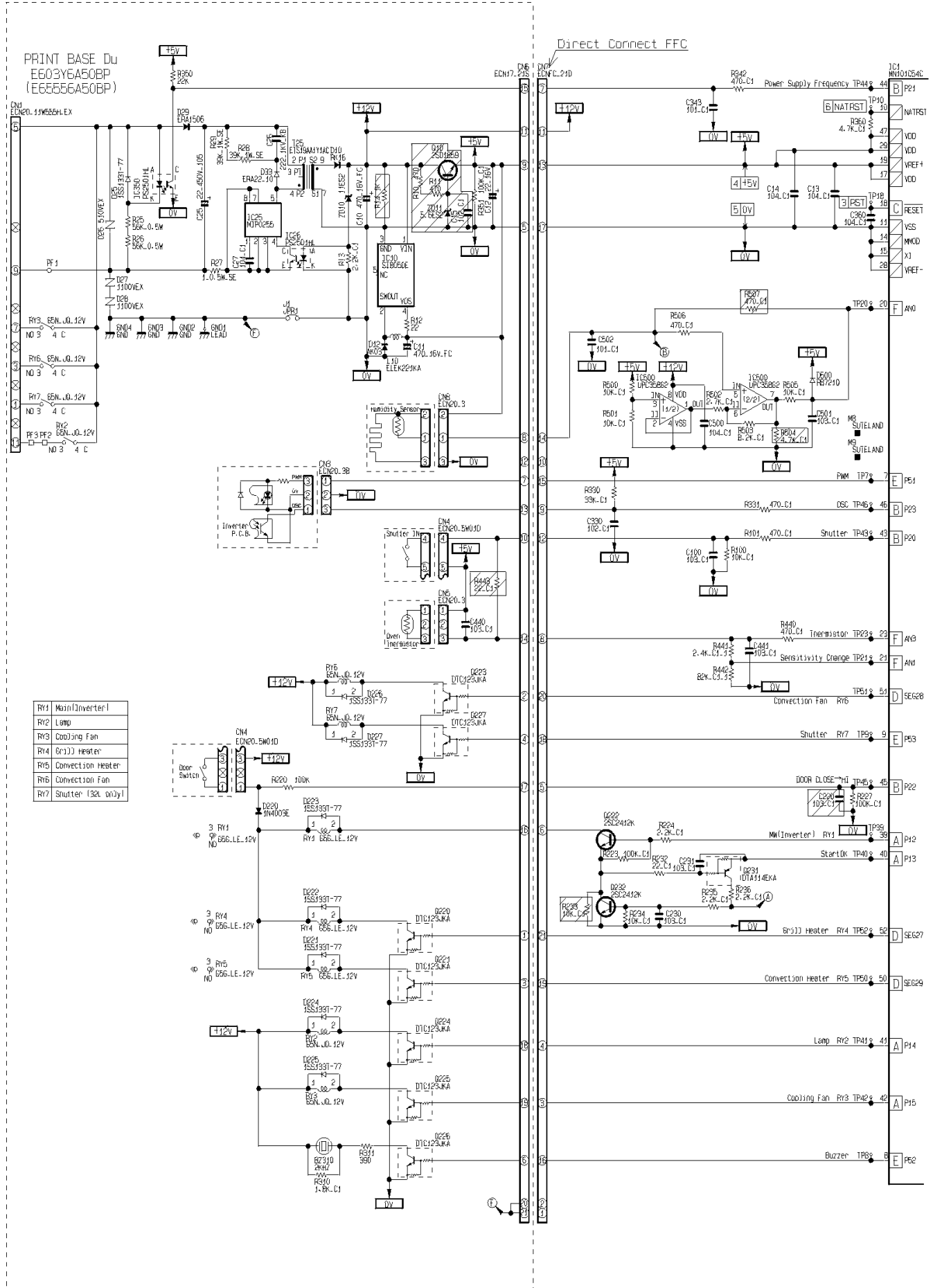
Ref. No.	Part No.	Part Name & Description	Qty
P1	E01084V00BP	Tray packing	1
P2	E06014N30BP	Glass tray	1
P3	E290D4N00BP	Roller ring	1
P4	E01695750BP	Service center list	1
P5	E00036C90BP	Operating instructions and cook book	1
P6	E01134N30BP	Tray styrol	1
P7	E01025N20BP	Carton box	1
P8	E01054V00BP	Lower filler	1
P9	E01076700BP	Door sheet	1
P10	E01069010GS	Vinyl Cover	1
P11	E01926430GP	Protector sheet	1
P12	E01044V00BP	Upper filler	1

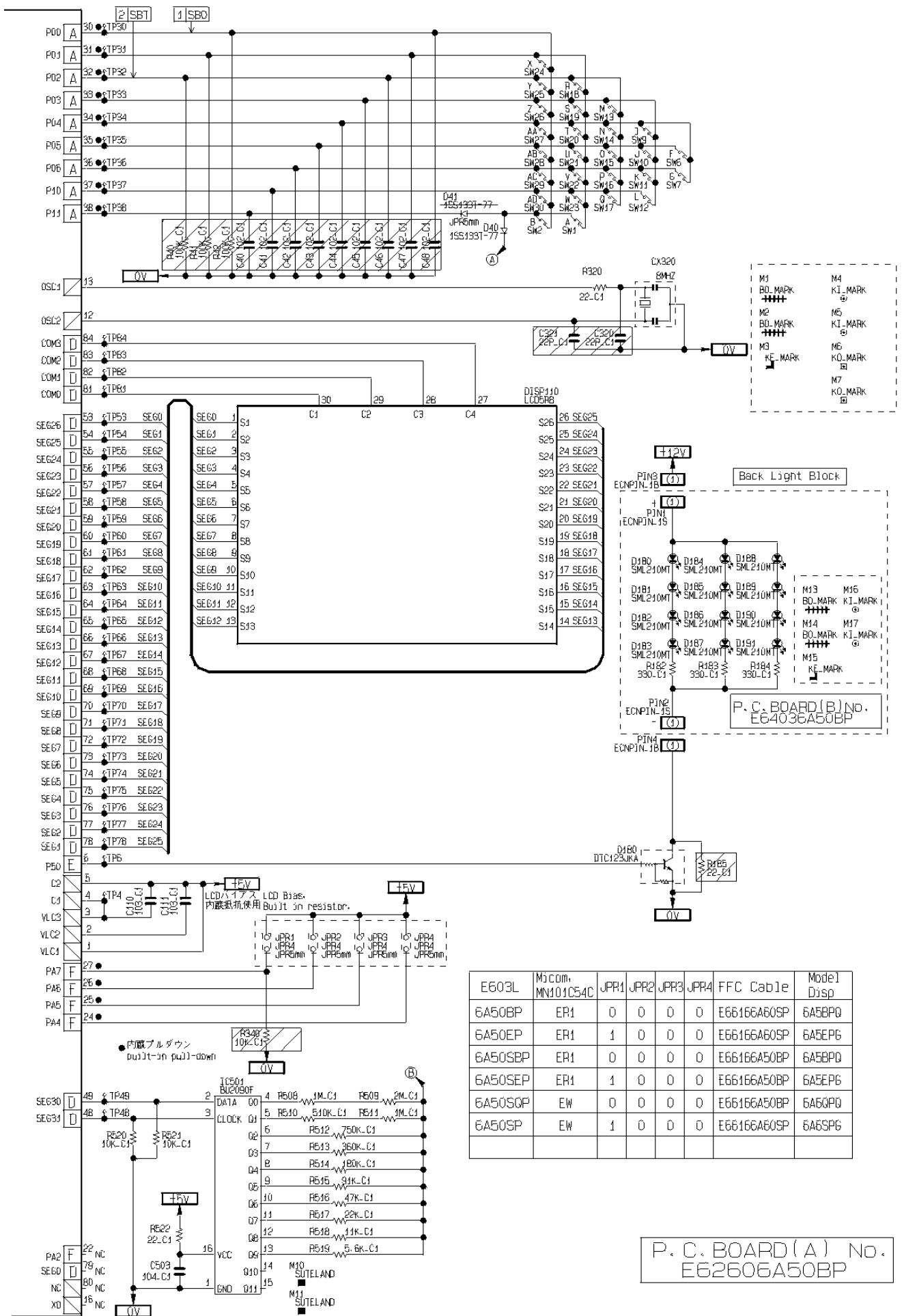
7 Trim Kit



Trim model number	Top and bootom strip REF 1	Qty	Top and bootom strip REF 2	Qty	Remarks
NN-TKV673MBBP	E1603A510NBP	1	E1601A510NBP	1	
	E000QA880BP				Installation guide

8 Digital Programmer Circuit





E603L	M1 Com.	JPR1	JPR2	JPR3	JPR4	FFC Cable	Model Disp
6A50BP	MN101C54C	ER1	0	0	0	E66166A60SP	6A5BP0
6A50EP	ER1	1	0	0	0	E66166A60SP	6A5EP6
6A50SBP	ER1	0	0	0	0	E66166A50BP	6A5BP0
6A50SEP	ER1	1	0	0	0	E66166A50BP	6A5EP6
6A50SQP	EW	0	0	0	0	E66166A50BP	6A5BP0
6A50SP	EW	1	0	0	0	E66166A60SP	6A5SP6

P.C. BOARD (A) No. E62606A50BP