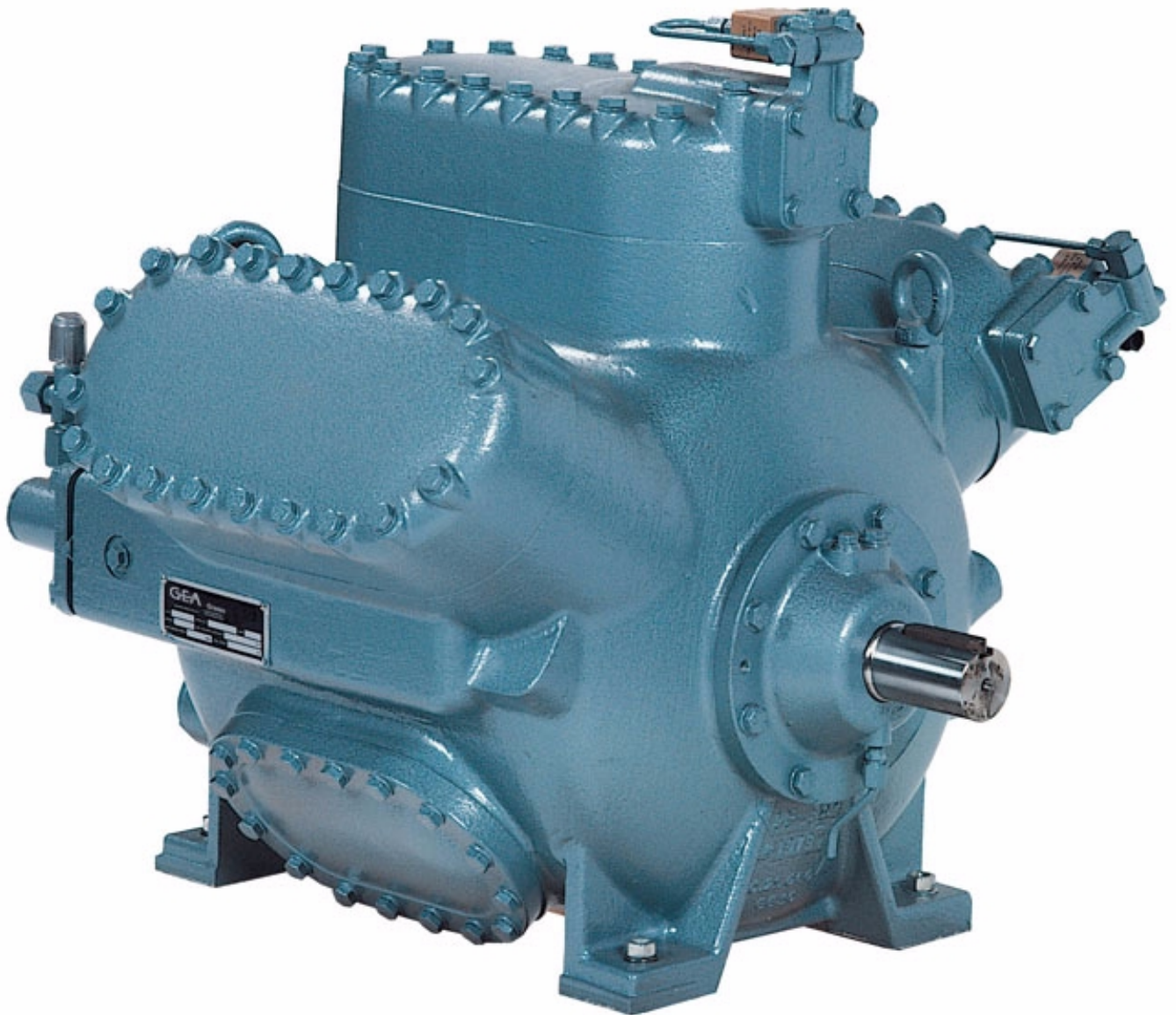


# Reciprocating Compressors for industrial refrigeration Series RC6

## Parts List (PL)



## Copyright

All Rights reserved. No part of this publication may be copied or published by means of printing, photocopying, microfilm or otherwise without prior written consent of **Grasso**.

This restriction also applies to the corresponding drawings and diagrams.

## Legal Notice

This publication has been written in good faith. However, **Grasso** cannot be held responsible, neither for any errors occurring in this publication nor for their consequences.



---

This manual must be carefully read and understood prior to installing and servicing the compressor (package)

---

## General Safety

All service operations described in this servicemanual are only to be carried out by well-trained/qualified personnel and even then only after this service manual has been read carefully and is fully understood.

## Personal safety

Observe all (inter)national and/or local safety standards, measures and regulations during reinstalling, repairing and connecting the compressor (package).

## Mechanical safety

If the compressor does not have to be removed from its base, it is advisable to put warning labels on vital parts of the compressor saying that the plant is out-of-operation and must not be started up.

If the compressor has to be opened for service, the frigerant has to be pumped down and the electric supply has to be cut off.

After having run the initial 100 operating hours, it is essential (in both new and modified plants) to replace the red running-in filter element with the permanent filter element supplied.

On reinstalling a compressor, it should be checked whether the direction of rotation of the compressor has remained the same.

## Table of Contents

Section	Title	Page
1	PARTS COMPRESSOR	9
2	PARTS ACCESSORIES	39
3	HISTORY PARTS	47



## Preface

This preface gives a survey of the types of documentation and software available for this Grasso compressor series.



---

All Grasso documentation and Grasso selection software is available on CD-Roms (Consult Grasso).

---

### 1) Grasso Refrigeration Equipment Catalogue (REC)

#### Contents

This catalogue contains all Product Information (engineering data) and all brochures of the reciprocating compressors, screw compressors, air purgers, chillers, packages, etc. This catalogue also includes the CD-Rom 'Grasso Software' and the CD-ROM 'Documentation Navigator'.

#### User group

Project engineers, applications engineers, sales managers and product managers for both end-users and contractors.

#### Distribution

Sales Department of Grasso.

### 2) Grasso CD-ROM 'Grasso Software'

#### Contents

COMSEL programme (the Grasso COMPRESSOR SELECTION programme), PURGER programme (to calculate energy savings and pay-back time) and REVALCO software (to select Revalco valves, check valves, Revalco parts etc.).

#### User group

Project engineers, application engineers, sales managers, product managers for both end-users and contractors.

#### Distribution

Sales Department of Grasso.

### 3) Grasso CD-ROM 'Documentation Navigator'

#### Contents

All Grasso documentation including a user friendly navigation system.



---

With this CD-rom it is possible to re-use all text, graphics, tables, etc. for various purposes (presentations, reports, ...)

---

#### User group

Project engineers, application engineers, sales managers, product managers for both end-users and contractors.

#### Distribution

Sales Department of Grasso.

### 4) Product Information (Engineering Data Sheets; ED)

#### Contents

All product information (engineering data) for this series compressor and the corresponding recommended accessories. It is meant to be a guide to the selection of these components.

#### User group

Project engineers, application engineers, sales managers, product managers for both end-users and contractors.

#### Distribution

Sales Department of Grasso.

### 5) Installation and maintenance manual (IMM)

#### Contents

This manual will provide information on how to transport, install, start-up and maintain the compressor (package). It also contains a number of "Product Information Sheets" and the current "Parts List"

#### User group

To be used in the field by qualified personnel for both end-user and contractor.

## Distribution

Supplied together with the compressor.

## 6) Instructions for Accessories (IFA)

### Contents

All the relevant mounting and installation instructions and spare parts information for those accessories supplied with the compressor.

### User group

To be used in the field by qualified personnel for both end-user and contractor.

### Distribution

Supplied together with the compressor.

## 7) Parts list (PL)

### Contents

All current parts of the compressor and accessories together with the design changes applicable to previous supplied components ("History").

### User group

Service and parts department for both end-user and contractor.

### Distribution

Service and Parts Department of Grasso.

## 8) Service & Maintenance Schedules (SMS)

### Contents

Complete set of service and maintenance schedules for 100 operating hours up to 48000 operating hours (inspection, renewal, measuring, cleaning, ...) of the bare shaft compressor.

### User group

Service and parts department and in the field by qualified personnel for both end-user and contractor.

### Distribution

Service and Parts Department of Grasso.

## 9) Service and Maintenance Manual (SIM)

### Contents

Description of (re)assembling, inspection, repair and part or total overhaul of the bare shaft compressor. This manual should be used together with the 'Installation and Maintenance Manual'.

### User group

To be used in the field by qualified personnel of refrigeration installers or contractors.

### Distribution

Service and Parts Department of Grasso.

## 10) Miscellaneous

### Typographic signs:

Indicates a caution, note or procedure to which you should pay special attention.  
**READ IT CAREFULLY!**



---

Indicates a WARNING. READ IT CAREFULLY!

---



---

Indicates an IMPORTANT note or procedure to which you should pay special attention.

---



---

Indicates a HINT.

---

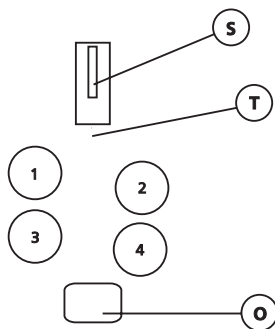
### Values between [ ]

Values between [ ] are read-outs of Grasso's electronic control device Monitron CR.

## Release Notes Parts List (PL) RC6

	Description	Date M-YY	Ref.
1	Previous version 00.89.275-v004.00.02	03-01	KK

### Cylinder numbering of Grasso reciprocating compressors



*Fig. 1 Cylinder numbering Grasso reciprocating compressors*

Legend	
1, 2, 3, ...	Cylinder numbers
T	Top view of compressor
S	Shaft-end of compressor
O	Oil pump of compressor

### Booster or single-stage operation

Booster operation applies if condensing temperature  $< 5^{\circ}\text{C}$ .

Single stage operation applies if condensing temperature  $\Rightarrow 5^{\circ}\text{C}$ .





# 1. PARTS COMPRESSOR

## Table of Contents

Parts List	Page	Figure
COMPRESSOR HOUSING WITH CONNECTIONS	10	RC6-01
MAIN BEARINGS	12	RC6-02
CRANKSHAFT	14	RC6-03
PISTON AND CONNECTING ROD	16	RC6-04
SUCTION AND DISCHARGE VALVE (from mach. nr. 99061345)	18	RC6-05
ROTARY SHAFT SEAL	20	RC6-06
OIL PUMP	22	RC6-07
CAPACITY CONTROL MECHANISM	24	RC6-08
OIL DISCHARGE FILTER	26	RC6-09
FLANGED MAIN CONNECTIONS	28	RC6-10
SUCTION GAS STRAINER	30	RC6-11
OIL SUCTION FILTER	32	RC6-12
OIL PRESSURE REGULATOR	34	RC6-13
STANDARD SETS OF PARTS, SEALS AND TOOLS	36	RC6-14

Item	Description	Dims.	Ref. No.	Qty	Remarks
<b>Fig. RC6-01 COMPRESSOR HOUSING WITH CONNECTIONS</b>					
1	CYLINDER HEAD COVER ASSY		*	-	with capacity control
1.1Aa	CYLINDER HEAD COVER	RC6-2CR	2336521	-	with capacity control for 2 cyl.
1.1Ab	CYLINDER HEAD COVER	RC6-2CR	2336525	-	RC6W: with capacity control for 2 cyl.
1.1Ba	CYLINDER HEAD COVER	RC6-1CR	2336510	-	with capacity control for 1 cyl.
1.1Bb	CYLINDER HEAD COVER	RC6-1CR	2336515	-	RC6W: with capacity control for 1 cyl.
1.2	HEXAGON HEAD BOLT	M10x120	0110512	2	
1.3A	GASKET	190x405x2CR	0907192	-	on item 1.1A
1.3B	GASKET	190x405x1CR	0907191	-	on item 1.1B
2	CYLINDER HEAD COVER ASSY		*	-	without capacity control
2.1a	CYLINDER HEAD COVER	RC6-OCR	2336500	-	
2.1b	CYLINDER HEAD COVER	RC6-OCR	2336505	-	on type RC6W only
2.2	GASKET	190x405x1.5-OCR	0907190	-	
3.a	HEXAGON HEAD BOLT	M10x120	0110510	20	18 on item 1 (for RC6 types only)
3.b	HEXAGON HEAD BOLT	M10x120	0110512	20	18 on item 1 (for RC6W types only)
4	FLAT WASHER	M10	1113501	36	
5	CRANKCASE	RC6	*	1	
6	GASKET	175x290x1.5	0907175	1	
7.a	INSPECTION SIDE COVER	175x290	0530175	2	RC6 (2x), RC6W (1x)
7.b	INSPECTION SIDE COVER	175x290WK	0530178	2	RC6W (1x)
8	HEXAGON HEAD BOLT	M10x40	0110540	16	
9	O-RING	2.62x32.99	0952284	1	
10	SIGHT GLASS	29x60	1224029	1	
11	HEXAGON HEAD BOLT	M6x16	0110316	3	
12	EYE BOLT	M16	0118812	2	
13	SPRING LOADED SAFETY	26.5G33	1249333	1	
14	PLUG	G135	0136134	5	if connection not in use
15	CRANKCASE HEATER	240V-200W	1372203	1	
16	STOP VALVE	TAH8-12	0607011	1	
17	ORIFICE	G13x3x20	0123139	2	
18	ALU.SEALING RING	21x25x1	0912021	2	in RC46(W) compressor only
19.a	PLUG	G21	0136216	3	in RC46(W) compressor only
19.b	PLUG	G21	0136216	1	in types RC66(W) & RC86(W)
20	ALU SEALING RING	21x27x2	0914023	1	
21	ALU SEALING RING	13.5x20x1	0912014	5	
22	NIPPLE COUPLING	12G13	0338131	1	
23	NIPPLE COUPLING	12G21	0338211	1	

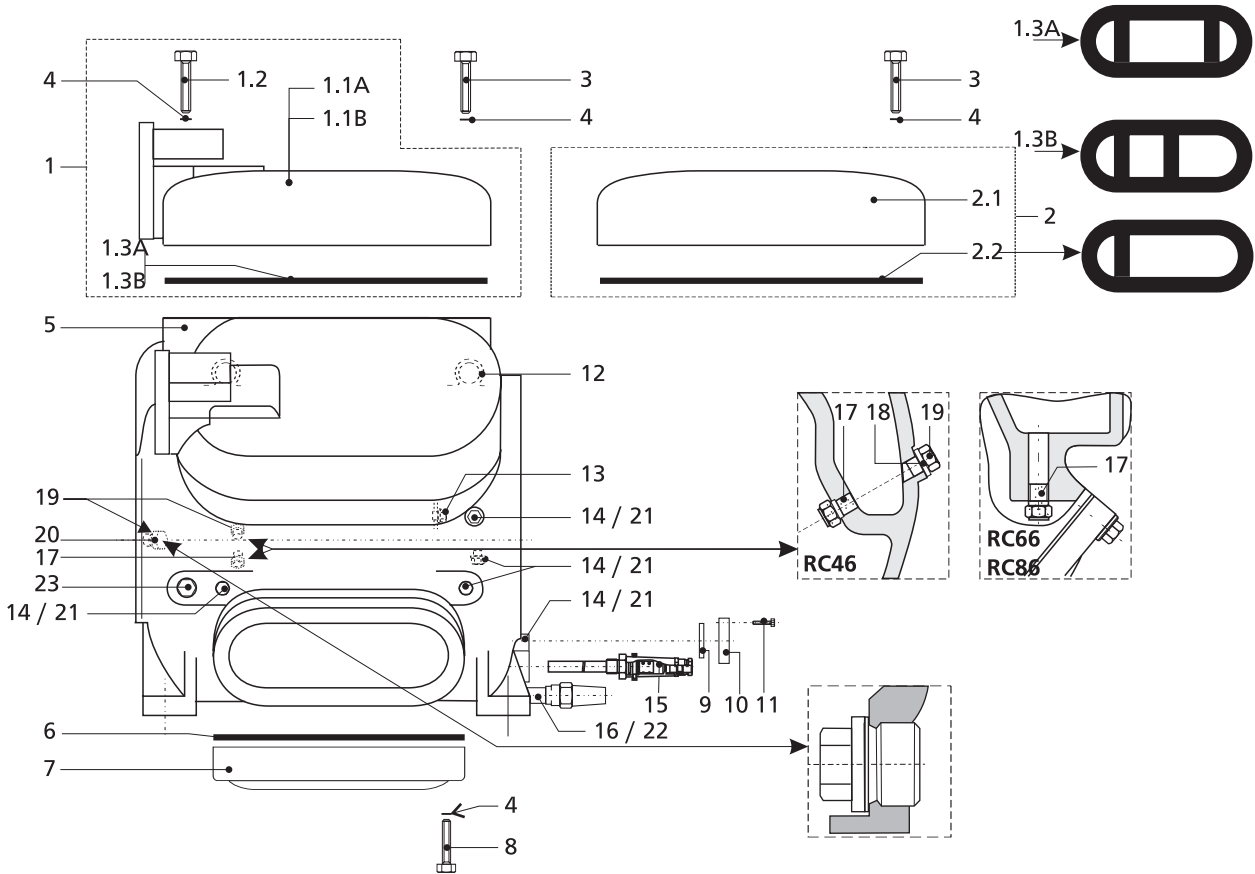
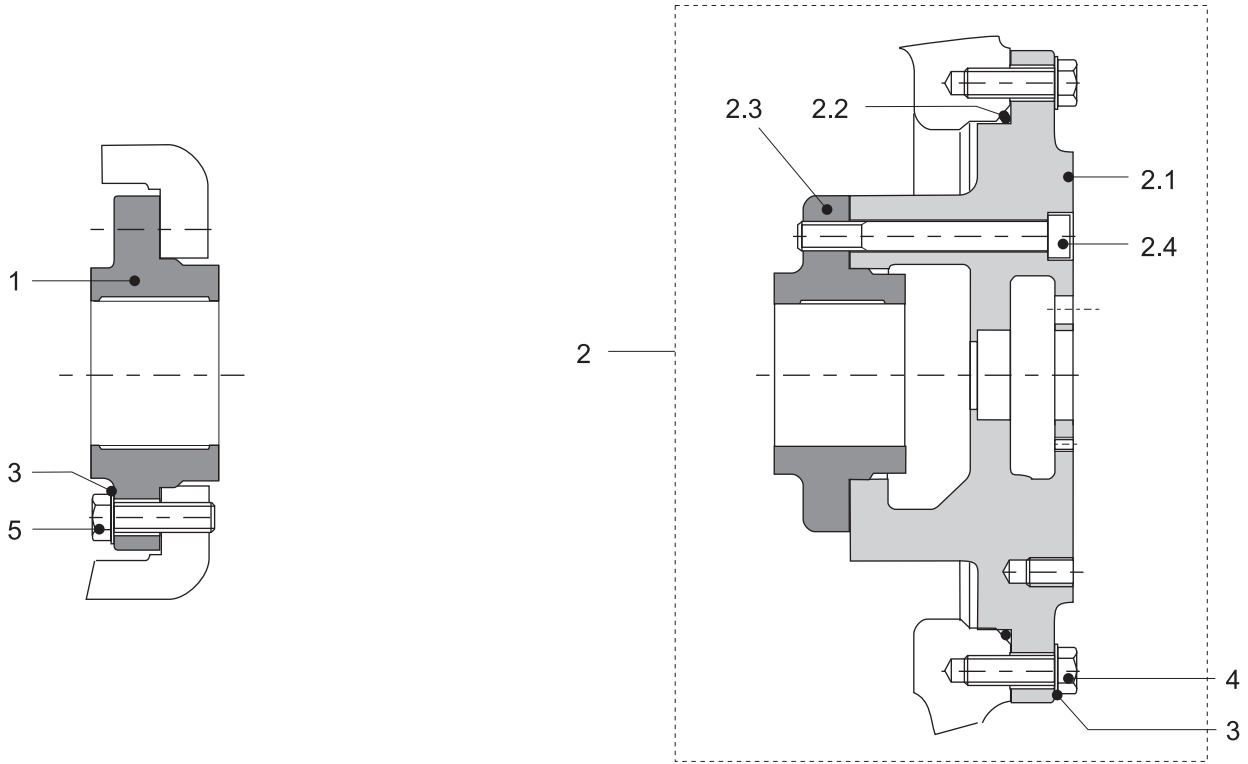


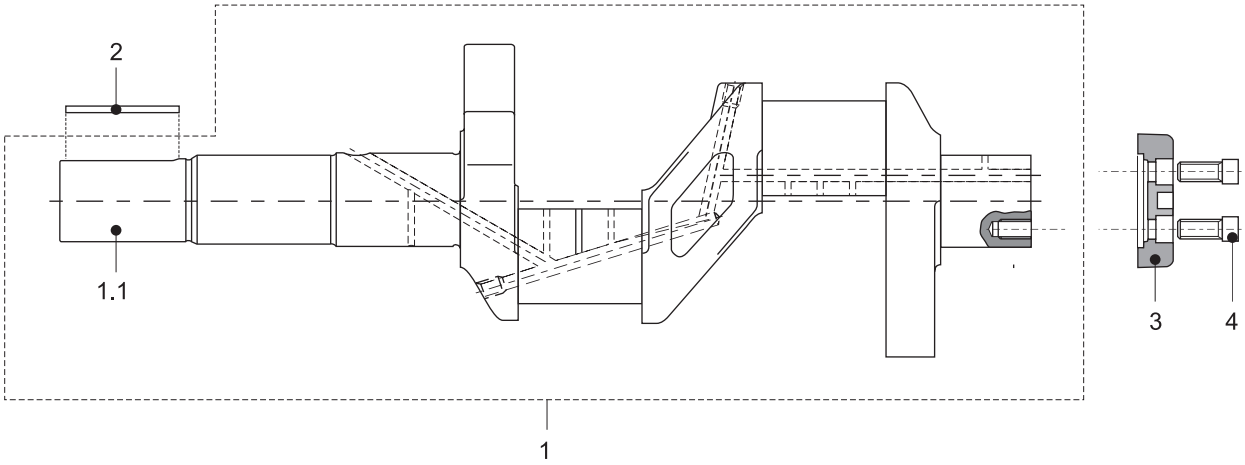
Fig. 1-1 RC6-01

Item	Description	Dims.	Ref. No.	Qty	Remarks
<b>Fig. RC6-02 MAIN BEARINGS</b>					
1	BEARING FLANGE	60x15x11.5	1143600	1	driving end
2	BEARING ASSY	RC6	*	1	
2.1	PUMP HOUSING	RC6	*	—	refer to parts list FIG. RC6-7
2.2	O-RING	3.53x209.14	0952365	1	
2.3	BEARING FLANGE	60x50xM10	1143651	1	oil pump end (from 95.08.1648)
2.4	SOCKET HEAD SCREW	M10x100	0104510	4	
3	FLAT WASHER	M10	1113501	16	
4	HEXAGON HEAD BOLT	M10x40	0110540	8	
5	HEXAGON HEAD BOLT	M10x35	0110535	8	



*Fig. 1-2 RC6-02*

Item	Description	Dims.	Ref. No.	Qty	Remarks
<b>Fig. RC6-03 CRANKSHAFT</b>					
1.1	CRANKSHAFT	E/K-RC6	*	1	
1A.a	CRANKSHAFT	E-RC6	2236400	1	4-cylinder compressor
1A.b	CRANKSHAFT	K-RC6	2236410	1	4-cylinder compressor
1B.a	CRANKSHAFT	E-RC6	2236600	1	6-cylinder compressor
1B.b	CRANKSHAFT	K-RC6	2236610	1	6-cylinder compressor
1C.a	CRANKSHAFT	E-RC6	2236800	1	8-cylinder compressor
1C.b	CRANKSHAFT	K-RC6	2236810	1	8-cylinder compressor
2	KEY	14x9x70	1102570	1	
3	CARRIER DISC	60x5A	1125106	1	from 95.08.1648
4	SOCKET HEAD SCREW	M10x25	0104525	2	



*Fig. 1-3 RC6-03*

Item	Description	Dims.	Ref. No.	Qty	Remarks
<b>Fig. RC6-04 PISTON AND CONNECTING ROD</b>					
1	PISTON ASSY	85RC6	2436010	1	
1.1	PISTON	85RC6H	*	1	
1.2	GUDGEON PIN	26x16x68R6	2436260	1	
1.3	SAFETY RING		*	2	
1.4	PISTON RING SET	85RC6	0974084	1	
2	CONNECTING ROD	60x170xRC6	2436500	1	
2.1	CONNECTING ROD	170RC6	*	1	
2.2	CONNECTING ROD BOLT	MF8	0111401	2	
2.3	LOCKING RING SET	M8	1139400	2	
2.4	HEXAGON NUT	MF8x1	0147405	2	



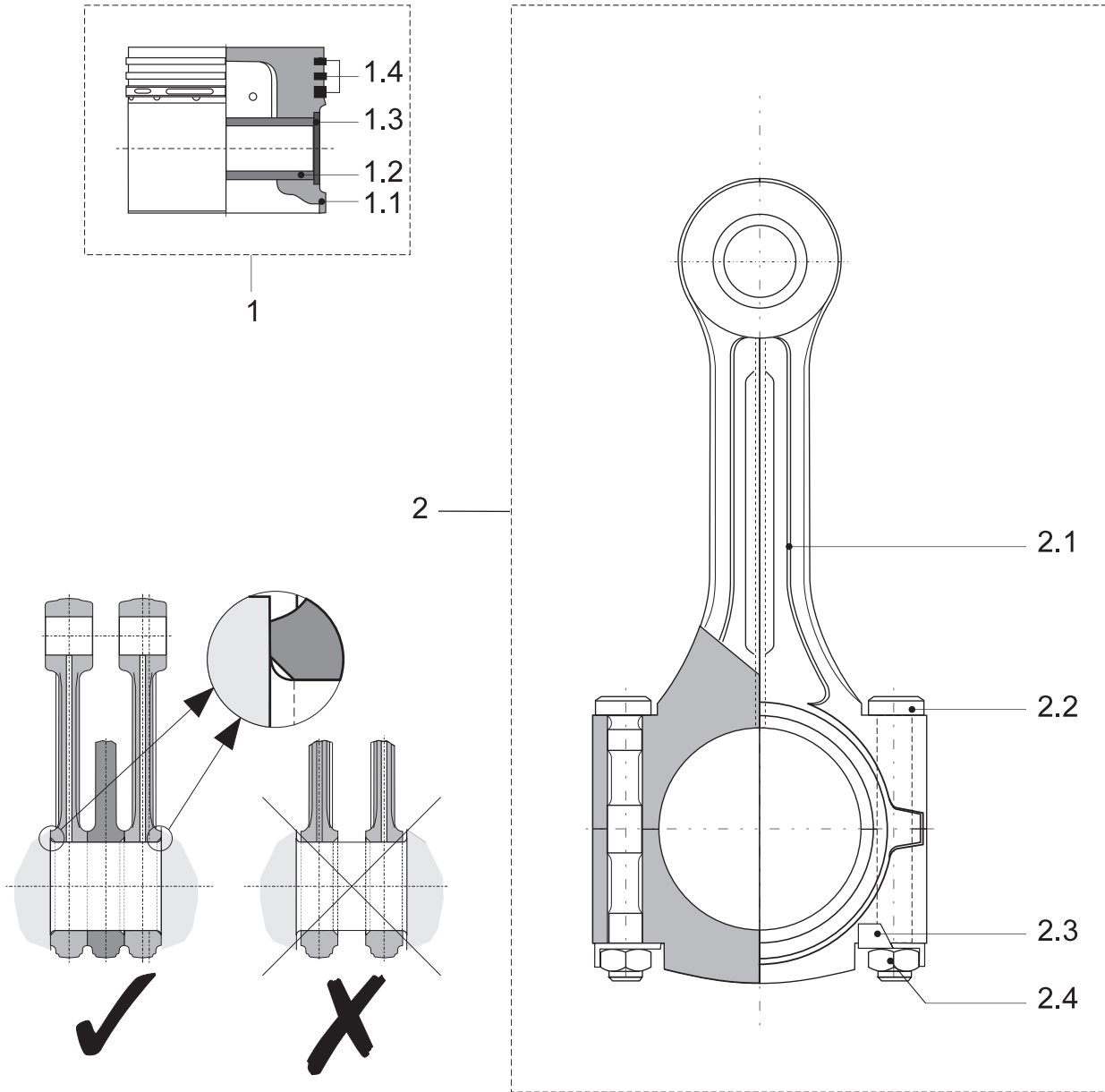


Fig. 1-4 RC6-04

Item	Description	Dims.	Ref. No.	Qty	Remarks
<b>Fig. RC6-05 SUCTION AND DISCHARGE VALVE (from mach. nr. 99061345)</b>					
1	HEXAGON HEAD BOLT	M10x40	0110540	4	DIN 540
2	FLAT WASHER	M10	1113501	4	
3	PRESSURE RING	RC6	2736410	1	
4	SINUSOIDAL SPRING	87x125x4	1133087	1	
5.H	DISCHARGE VALVE ASSY	RC6	2736103	1	option "H" (High), refer selection table
5.L	DISCHARGE VALVE ASSY	RC6	2736113	1	option "L" (Low), refer selection table
5.1	LOCKING NUT	M8	0145400	1	
5.2	FLAT WASHER	M8	1113401	1	
5.3	DISCHARGE VALVE STROKE LIMITOR	RC6	*	1	
5.4a	SINUSOIDAL SPRING	64x76x0.5	*	1	option "L" (Low), refer selection table
5.4b	SINUSOIDAL SPRING	64x76x0.5	*	2	option "H" (High), refer selection table
5.5	DISCHARGE VALVE RING	64x76x1	*	1	
5.6	SUCTION STROKE LIMITOR	RC6	*	1	
5.7	FITTED BOLT	M8x35	*	1	
5.8H	DISCHARGE VALVE AND SPRINGS	R (halocarbons)	1134105	1	
5.8L	DISCHARGE VALVE AND SPRING	NH3 (ammonia)	1134110	1	
6	DAMPER RING	108x87x4	*	1	
7	SINUSOIDAL SPRING	88x103x0.7	*	1	
8	SUCTION VALVE RING	88x103x0.7	*	1	
9	O-RING	3.53x117.07	0952362	1	
10	CYLINDER LINER	85RC6	2336120	1	
11	O-RING	3.53x91.67	0952361	1	
12	SUCTION VALVE RING, SPRING AND DAMPER RING	RC6	1134115	1	

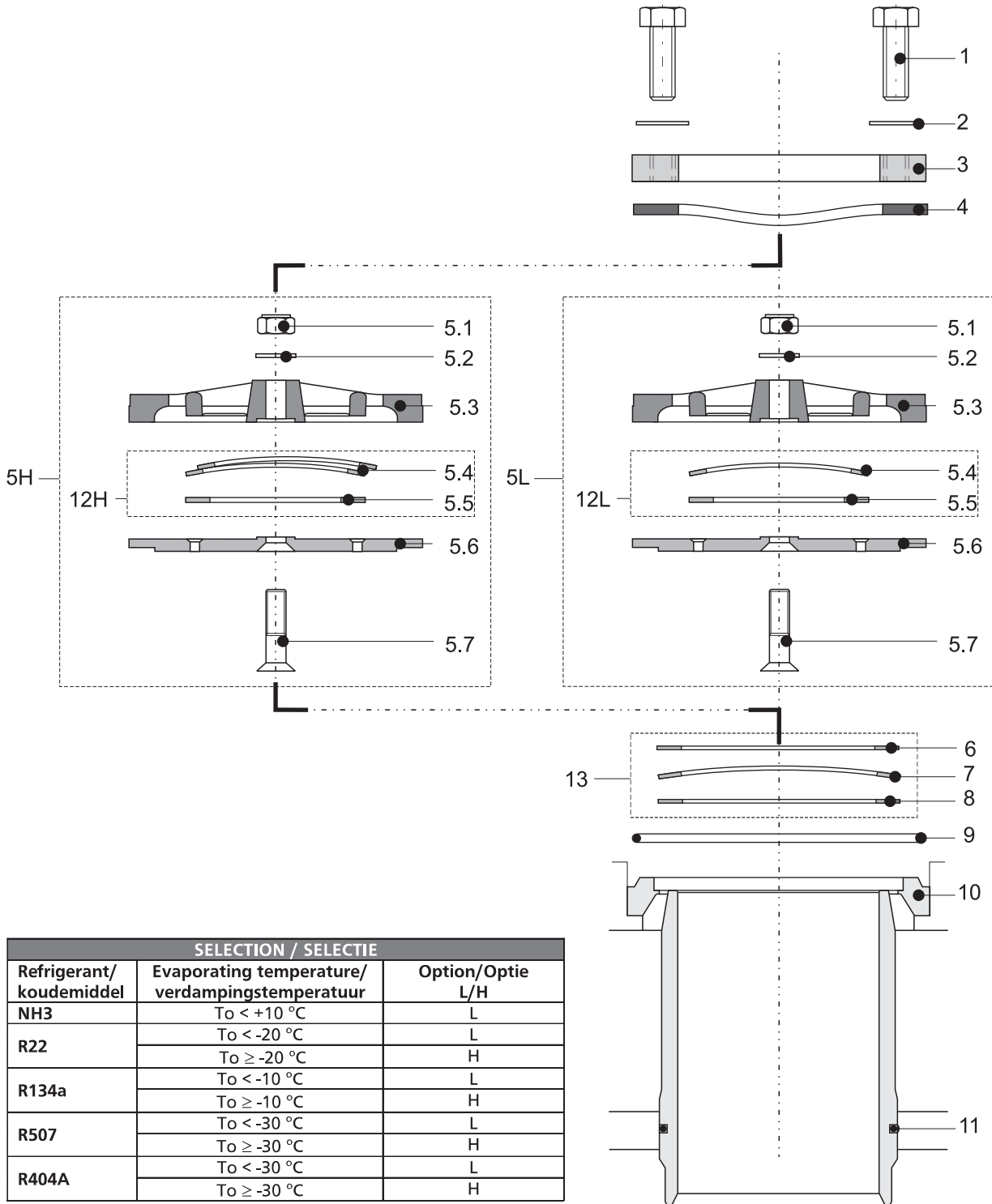


Fig. 1-5 RC6-05

Item	Description	Dims.	Ref. No.	Qty	Remarks
<b>Fig. RC6-06 ROTARY SHAFT SEAL</b>					
1	SHAFT SEAL HOUSING	RC6	2636100	1	
2A	PLUG	G135	0136134	1	
2B	PLUG	NPT13X1.5	0365513	1	
3	NIPPLE COUPLING	6N10	0338810	1	
4	O-RING	3.53x158.34	0952364	1	
5	HEXAGON HEAD BOLT	M10x35	0110535	8	
6	FLAT WASHER	M10	1113501	8	
7	SHAFT SEAL SET	RC6	0962900	1	

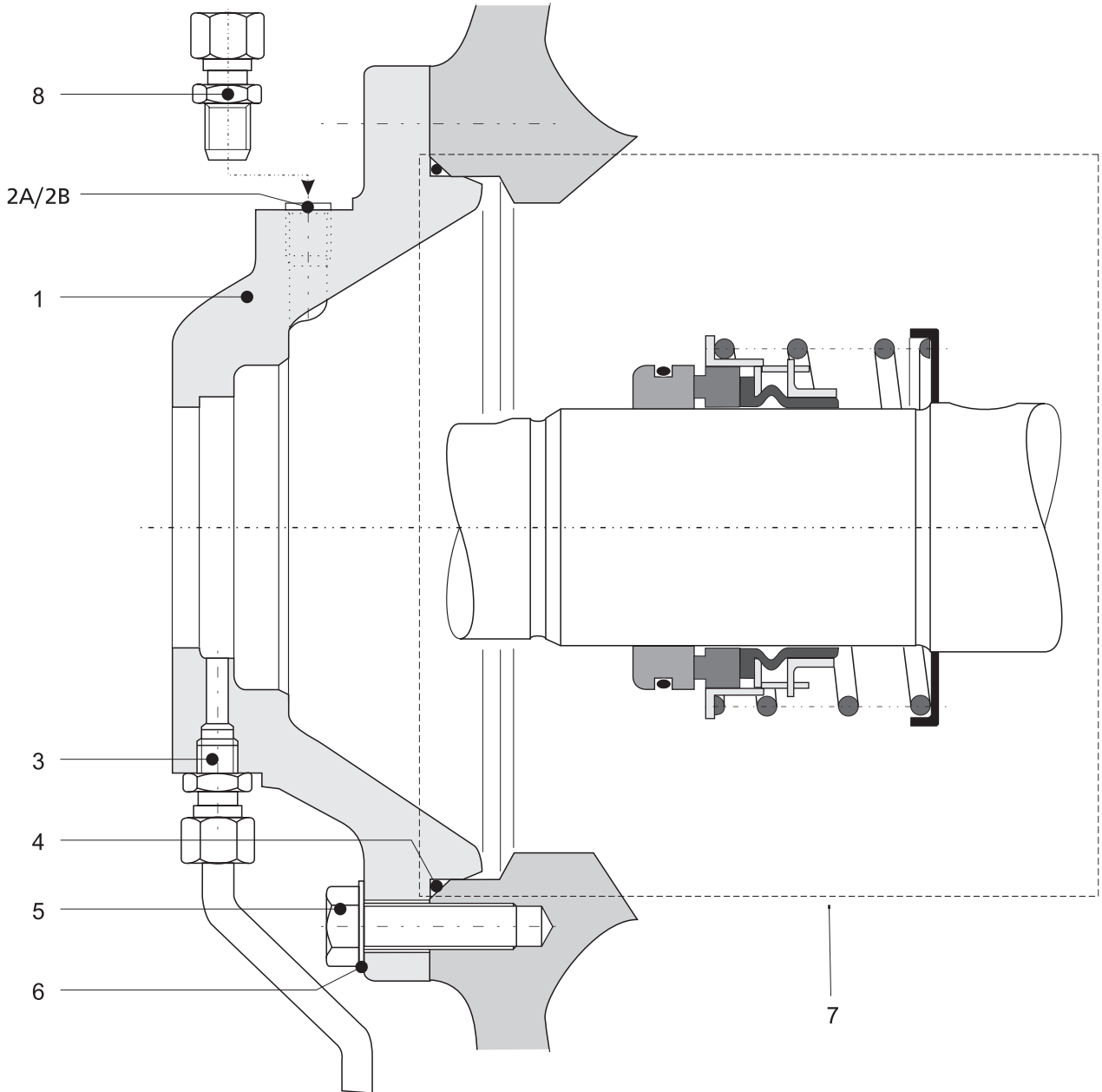


Fig. 1-6 RC6-06

Item	Description	Dims.	Ref. No.	Qty	Remarks
<b>Fig. RC6-07 OIL PUMP</b>					
1	PUMP COVER	RC6	2636700	1	
2	OIL PUMP ELEMENT	RC6A	2636601	1	
3	BEARING	RC6x13.5	2636710	1	
4	HEXAGON HEAD BOLT	M6x16	0110316	3	
5	O-RING	3.53x209.14	0952365	3	
6	O-RING	3.53x136.12	0952363	1	
7	PUMP HOUSING	RC6E	2636503	1	from 95.08.1647

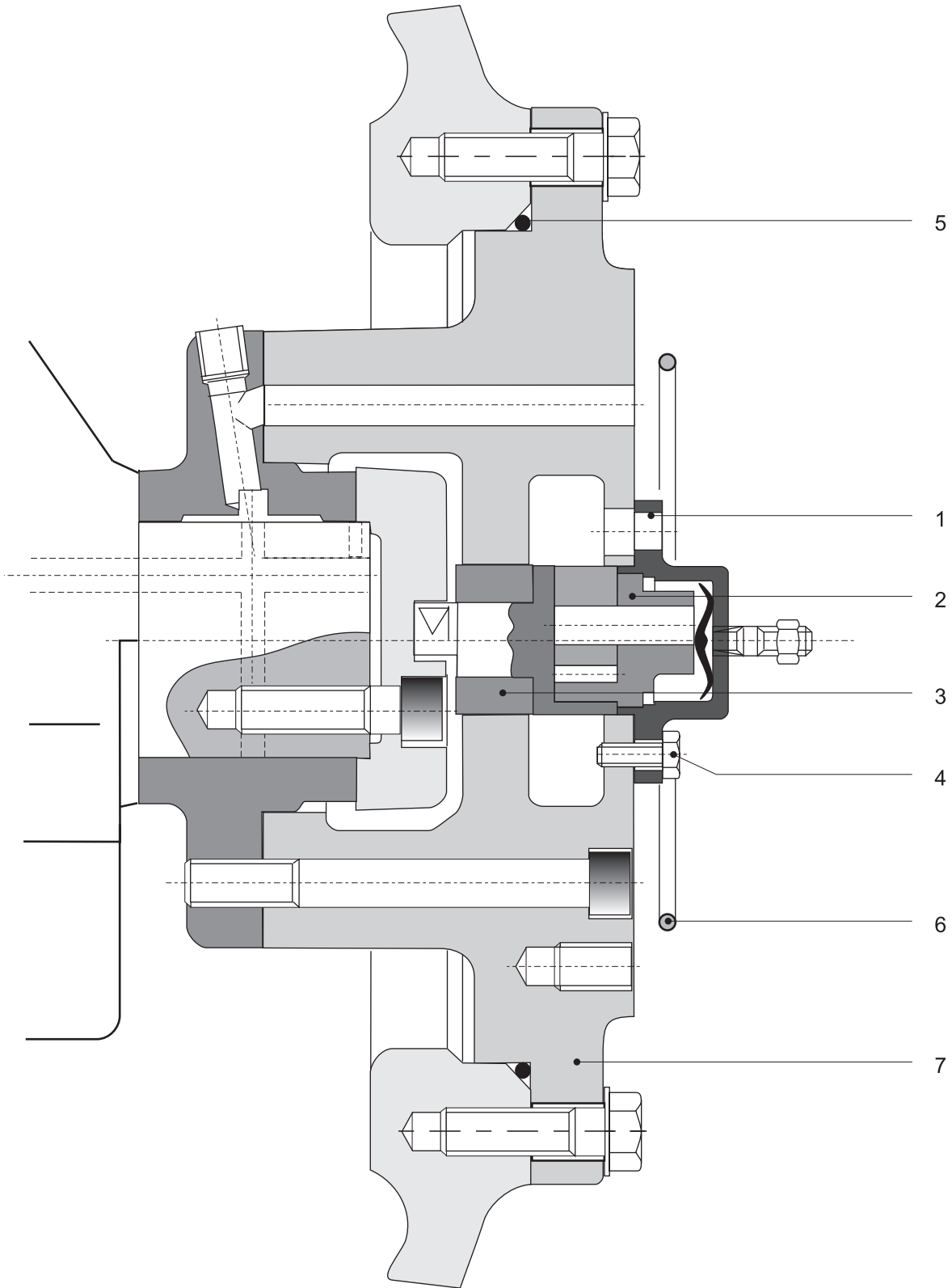
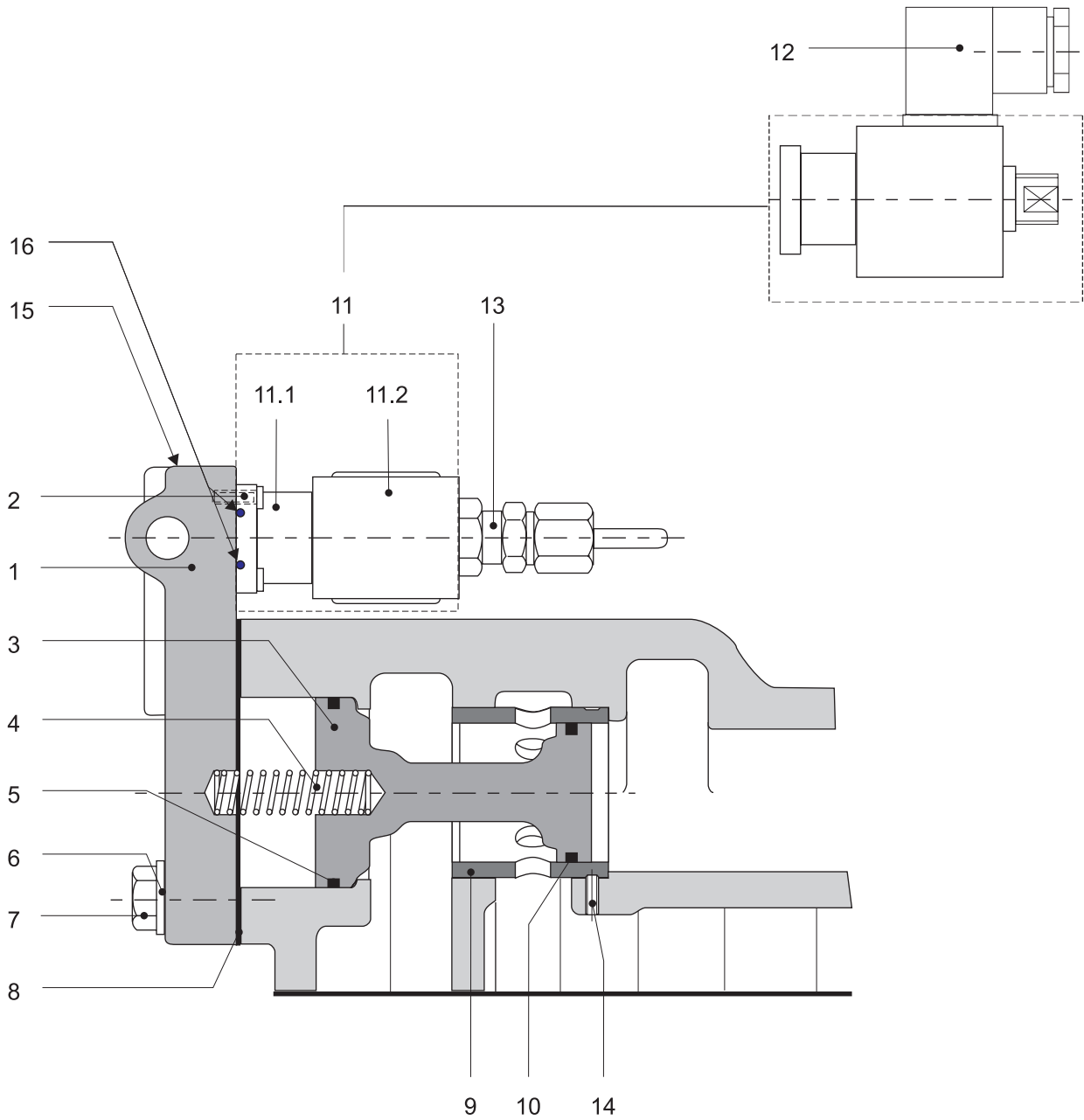


Fig. 1-7 RC6-07

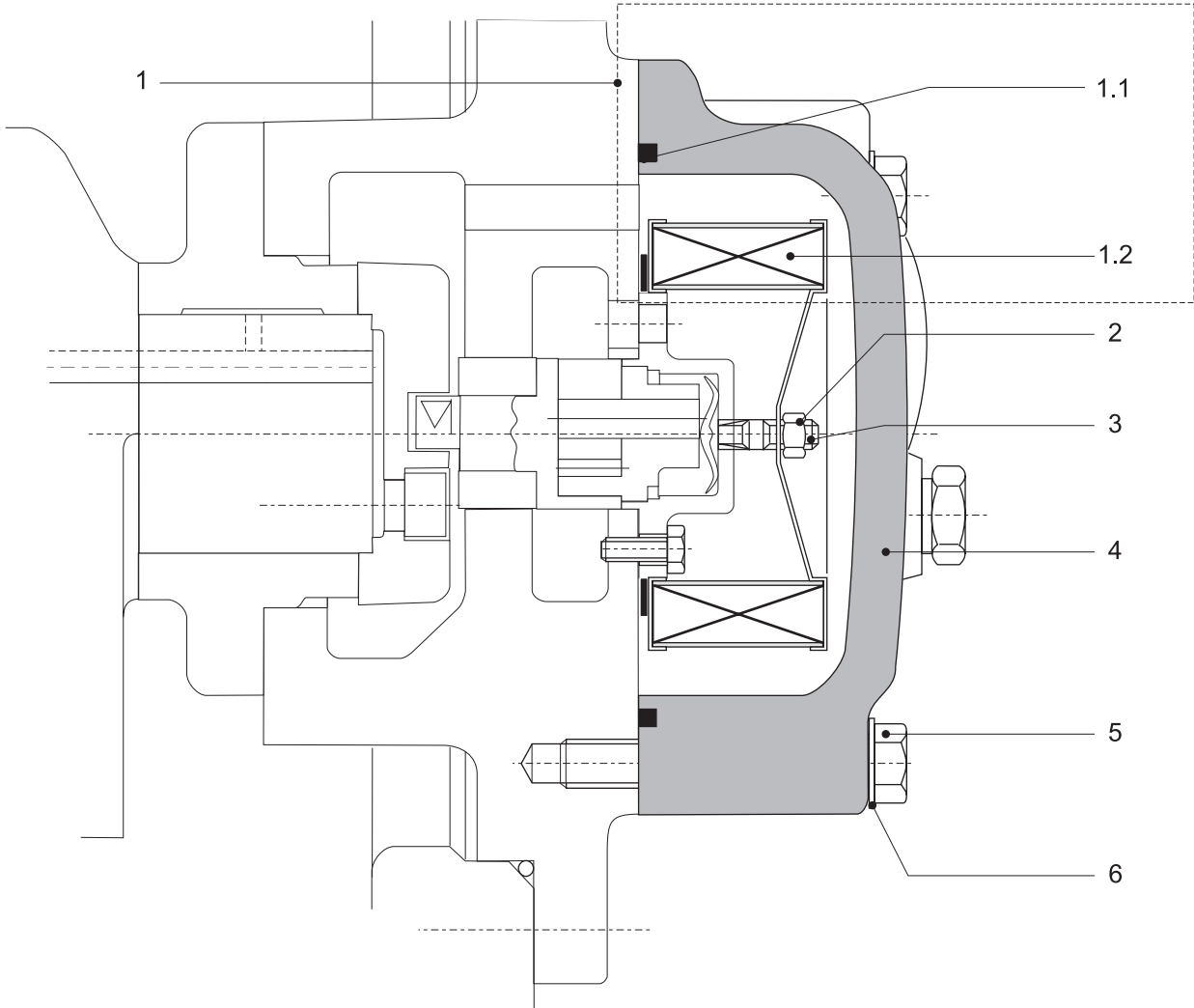
Item	Description	Dims.	Ref. No.	Qty	Remarks
<b>Fig. RC6-08 CAPACITY CONTROL MECHANISM</b>					
1	FLANGE	RC6C	2736702	1	
2	CYLINDER HEAD SCREW	M4x10	0168210	4	
3	PISTON CAPACITY CONTROL	RC6	2736600	1	
4	PRESSURE SPRING	1.25x10x11.5 x51	1131132	1	
5	PISTON FITTING RING	56x51.3x2	0970056	1	
6	FLAT WASHER	M10	1113501	4	per controlled cylinder cover
7	HEXAGON HEAD BOLT	M10x40	0110540	4	
8	GASKET	87x94x1.5	0907087	4	
9	CYLINDER CAPACITY CONTROL	RC6	2736500	1	
10	PISTON FITTING RING	40x36.6x2	0970040	1	
11.1A	VALVE BODY		*	1	
11.1B	VALVE BODY		*	1	
11.2A	VALVE COIL	110-120/50- 60	1316311		
11.2B	VALVE COIL	220-240/50- 60	1316322	1	
11A	SOLENOID VALVE	110/120V	*	1	
11B	SOLENOID VALVE	220FA	0680111	1	NH3
12.a	CONNECTOR	DIN	1316610	1	without LED for valves 11A/11B, without LED
12.b	CONNECTOR	220/240 V AC, DIN incl. LED	1316611	1	with 220V-AC/DC LED with 220V-AC/DC LED
12.c	CONNECTOR	24/48 V AC/DC, DIN incl. LED	1316615	1	with 48V-AC/DC LED with 48v-AC/DC LED
13	SOCKET COUPLING	6G10	0337106	1	
14	SET SCREW	M5x10	0123010	1	
15	PLUG	M8x1	0365708	3	
16	O-RING	9.3	0951093	2	





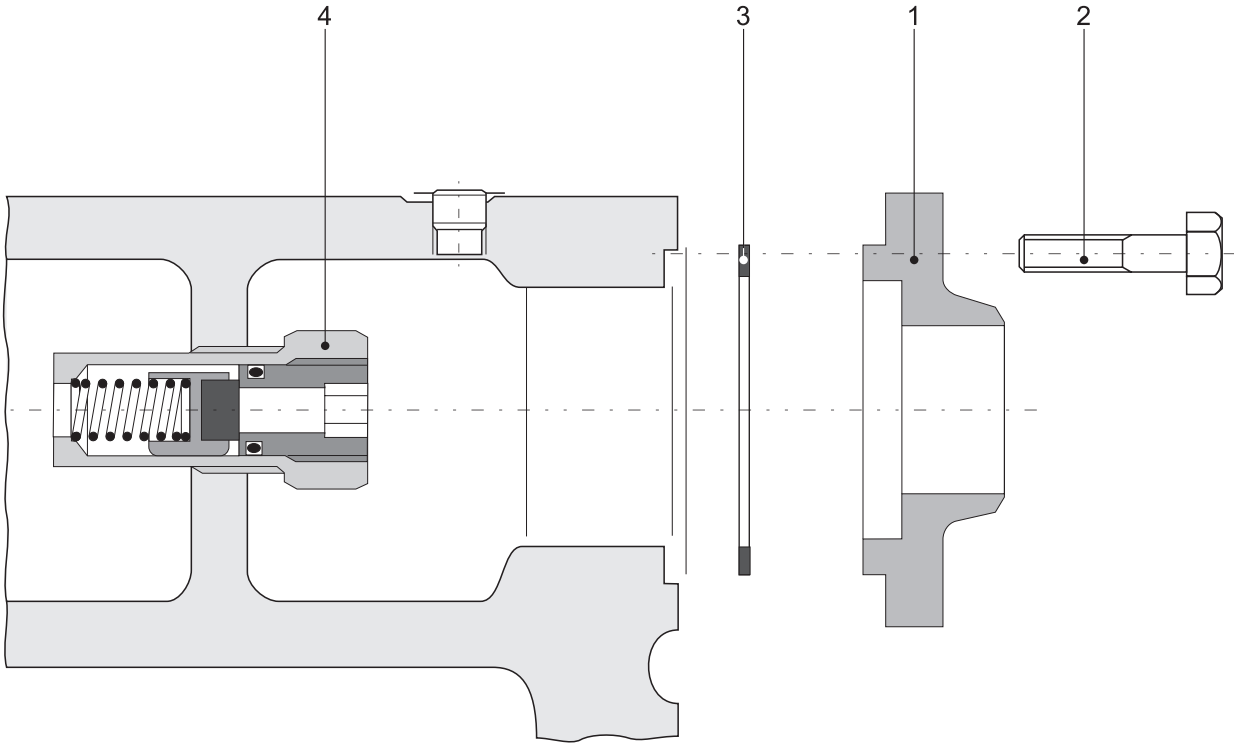
*Fig. 1-8 RC6-08*

Item	Description	Dims.	Ref. No.	Qty	Remarks
<b>Fig. RC6-09 OIL DISCHARGE FILTER</b>					
1	FILTER SET	RC6	0711900	1	
1.1	O-RING	3.53x136.12	0952363	1	
1.2	FILTER CARTRIDGE	480x15	*	1	
2	LOCKING NUT	M6	0145300	1	
3	STUD	M6x20	0151320	1	
4	FILTER HOUSING	130	0702130	1	
5	HEXAGON HEAD BOLT	M10x75	0110575	6	
6	FLAT WASHER	M10	1113501	6	



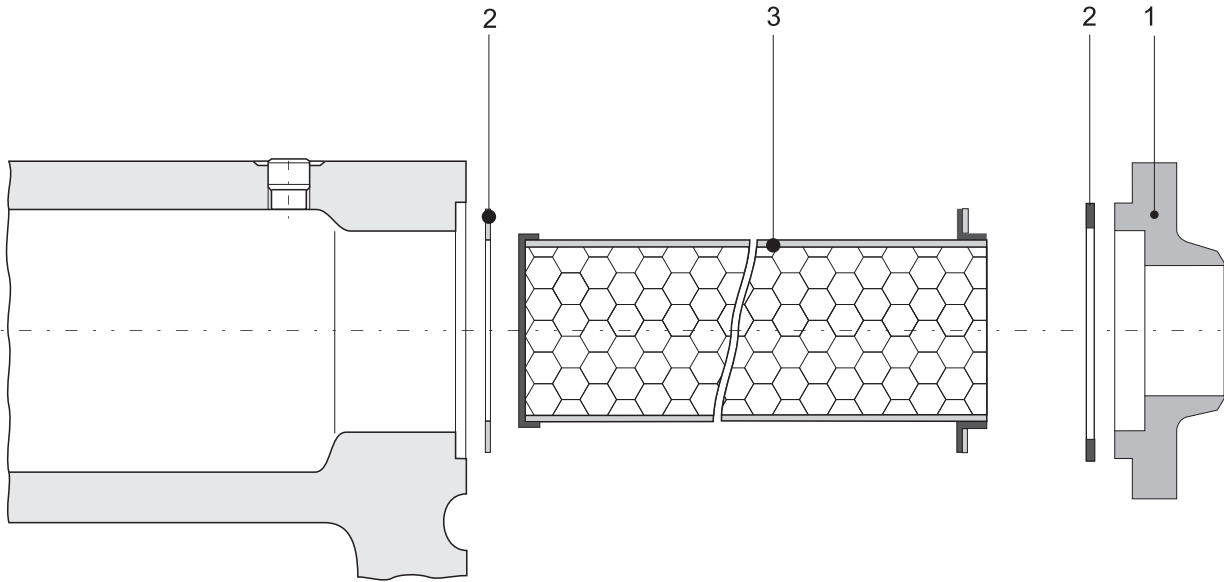
*Fig. 1-9 RC6-09*

Item	Description	Dims.	Ref. No.	Qty	Remarks
<b>Fig. RC6-10 FLANGED MAIN CONNECTIONS</b>					
1A	SHOULDER FLANGE	RC46	0539045	1	
1B	SHOULDER FLANGE	RC66	0539051	1	
1C	SHOULDER FLANGE	RC86	0539063	1	
2	HEXAGON HEAD BOLT	M16x40	0110840	4	per flanged connection
3	GASKET	67x81x1.5	0903067	1	per flanged connection
4	SPRING LOADED SAFETY	26.5G33	1249333	1	



*Fig. 1-10 RC6-10*

Item	Description	Dims.	Ref. No.	Qty	Remarks
<b>Fig. RC6-11 SUCTION GAS STRAINER</b>					
1A	SHOULDER FLANGE	RC46	0539048	1	
1B	SHOULDER FLANGE	RC66/RC86	0539060	1	
2	GASKET	67x81x1.5	0903067	2	
3	STRAINER ELEMENT	544x100	0716544	1	

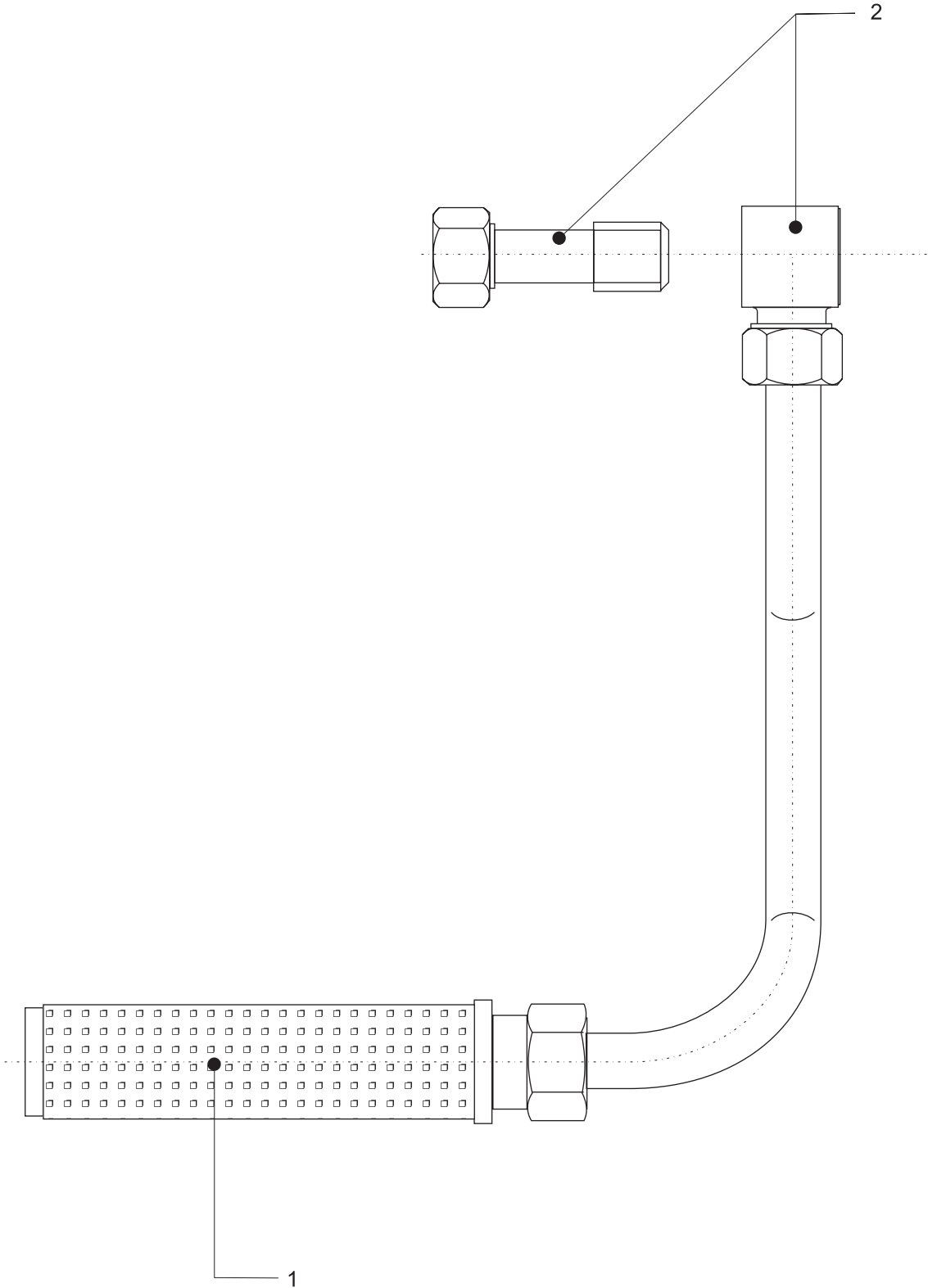


*Fig. 1-11 RC6-11*

---

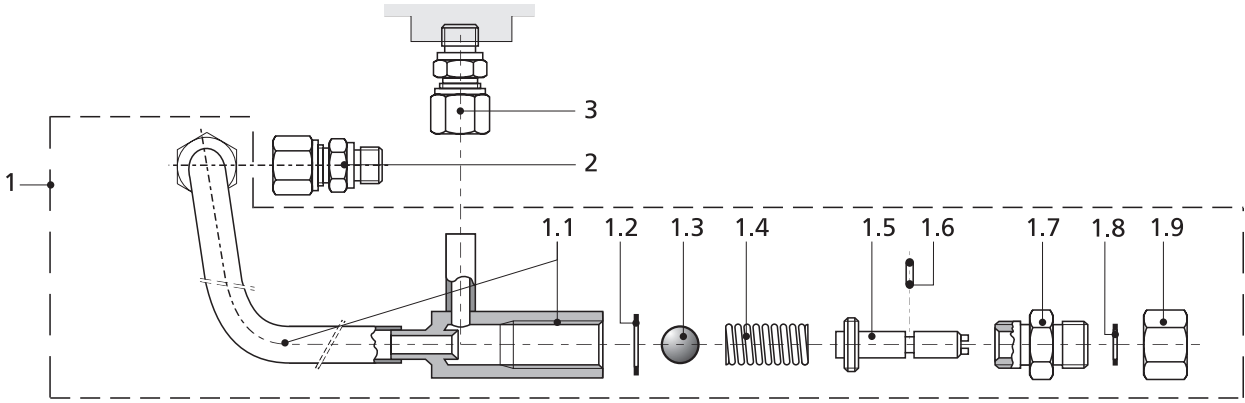
Item	Description	Dims.	Ref. No.	Qty	Remarks
<b>Fig. RC6-12 OIL SUCTION FILTER</b>					
1	STRAINER ELEMENT	149x16	0716164	1	from machine nr. 95.08.1648
2	SWIVEL COUPLING	16G21	0339216	1	from machine nr. 95.08.1648





*Fig. 1-12 RC6-12*

Item	Description	Dims.	Ref. No.	Qty	Remarks
<b>Fig. RC6-13 OIL PRESSURE REGULATOR</b>					
1	PRESS. REGULATOR SET	SAM RC6	1241140	1	lubricating oil pressure regulator included. To replace the internal regulator for an external regulator, conversion kit 12.41.145 should be applied.
1.1	STEEL PRECISION PIPE WITH VALVE HOUSING	K12x1.5	1241012	1	
1.2	ALU SEALING RING	21.5x27x1	0912022	1	
1.3	BEAMING BALL	W16	1119010	1	
1.4	PRESSURE SPRING	1.25x14x9x35 .5	1131134	1	
1.5	THRUST BOLT	G21x605	0135218	1	
1.6	O-RING	1.78x8.73	0952184	1	
1.7	NIPPLE	G21CxG21	0304921	1	
1.8	ALU SEALING RING	10x18x1	0912010	1	
1.9	CAP NUT	GK21R	0117021	1	
2	NIPPLE COUPLING	12G13	0338131	1	refer to fig. RC6-6
3	NIPPLE COUPLING	12G21	0338211	1	refer to fig. RC6-1



*Fig. 1-13 RC6-13*

Item	Description	Dims.	Ref. No.	Qty	Remarks
<b>Fig. RC6-14 STANDARD SETS OF PARTS, SEALS AND TOOLS</b>					
1a	GASKETS (SET)	RC46	0990046	1	for RC46
1b	GASKETS (SET)	RC66	0990066	1	for RC66
1c	GASKETS (SET)	RC86	0990086	1	for RC86
2	SUCT.AND DISCH. RING AND SPRING	RC6	1134827	-	one per cylinder
3	SET OF SPARE PARTS	RC6	2036011	1	for all types
4a	TIRE CLAMP	232	1508232	1	for coupling element 42
4b	TIRE CLAMP	244	1508244	1	for coupling element 61
4c	TIRE CLAMP	280	1508280	1	for coupling element 91

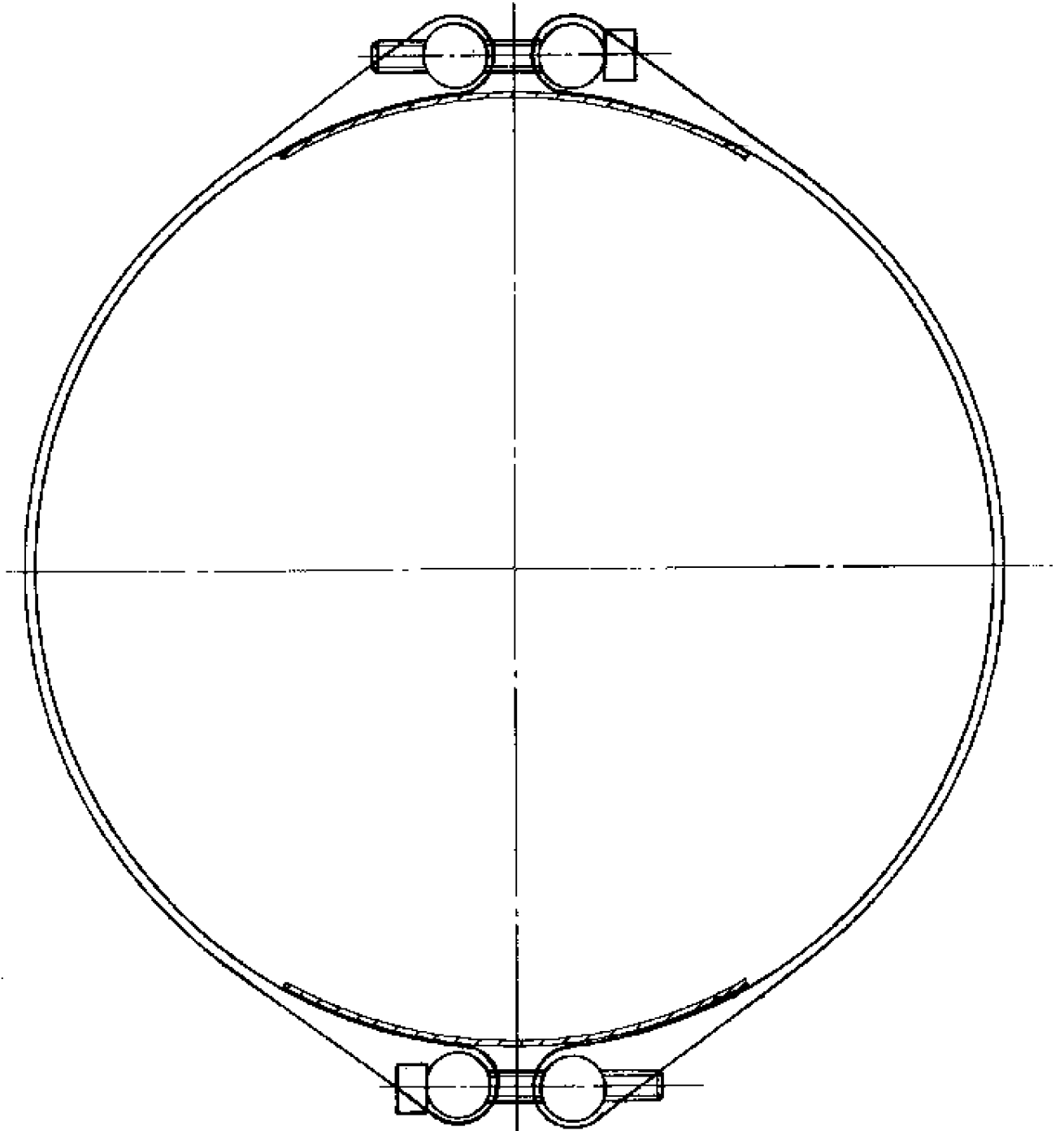


Fig. 1-14 RC6-14



## 2. PARTS ACCESSORIES

### Table of Contents

Parts List	Page	Figure
PRESSURE GAUGES AND SAFETY SWITCH CABINET (Use 0337136 if your current pressure gauge connections differs from fig. RC6-1A)	40	RC6-A1
DIRECT DRIVE	42	RC6-A2
COOLING WATER DEVICE	44	RC6-A3

Item	Description	Dims.	Ref. No.	Qty	Remarks
<b>Fig. RC6-A1 PRESSURE GAUGES AND SAFETY SWITCH CABINET (Use 0337136 if your current pressure gauge connections differs from fig. RC6-1A)</b>					
1.1a	PRESSURE GAUGE	NH3 - R-P-63	1210065	1	
1.1b	PRESSURE GAUGE	R22 - 63	1212065	1	
1.1c	PRESSURE GAUGE	R134a - 63	1212066	1	
1.1d	PRESSURE GAUGE DISCHARGE PRESSURE	R404A	1212067	1	
1.2a	PRESSURE GAUGE	NH3 - R-Z-63	1210066	1	
1.2b	PRESSURE GAUGE	R22 - Z-63-12	1212068	1	
1.2c	PRESSURE GAUGE SUCTION PRESSURE	R134a - Z-63-12	1212069	1	
1.2d	PRESSURE GAUGE SUCTION PRESSURE	R404A - Z-63-12	1212070	1	
1.3	PRESSURE GAUGE	R-O-63	1215065	1	
1.4a	PRESSURE SAFETY SWITCH	MP55A	1260232	1	
1.4b	PRESSURE SAFETY SWITCH	MP55	1261232	1	
1.5a	PRESSOSTAT	NH3 KP15A	1260615	1	
1.5b	COMBINED SUCTION/DISCHARGE PRESSURE SAFETY SWITCH	R KP15	1261615	1	
1.5c	PRESSOSTAT	NH3 KP7ABS	1260618	1	
1.5d	COMBINED DISCHARGE PRESSURE LIMITOR AND SAFETY SWITCH	R KP7BS	1261618	1	
1.6a	SUCTION PRESSURE SAFETY SWITCH	NH3 KP1A	1260608	1	
1.6b	SUCTION PRESSURE SAFETY SWITCH	R KP1	1261608	1	
1a.1	PRESSURE GAUGE AND SAFETY SWITCH CABINET	NH3 - std	1208301	1	with 2 safety switches
1a.2	PRESSURE GAUGE AND SAFETY SWITCH CABINET	R22 - std	1208601	1	with an additional safety switch to meet German UVV-VBG20 regulations
1a.3	PRESSURE GAUGE AND SAFETY SWITCH CABINET	R134a - std	1208701	1	
1a.4	PRESSURE GAUGE AND SAFETY SWITCH CABINET	R404A	1208801	1	
1b.1	PRESSURE GAUGE AND SAFETY SWITCH CABINET	NH3 - UVV-VB420	1208302	1	
1b.2	PRESSURE GAUGE AND SAFETY SWITCH CABINET	NH3 - UVV-VB420	1208602	1	
1b.3	PRESSURE GAUGE AND SAFETY SWITCH CABINET	NH3 - UVV-VB420	1208702	1	
1b.4	PRESSURE GAUGE AND SAFETY SWITCH CABINET	NH3 - UVV-VB420	1208802	1	



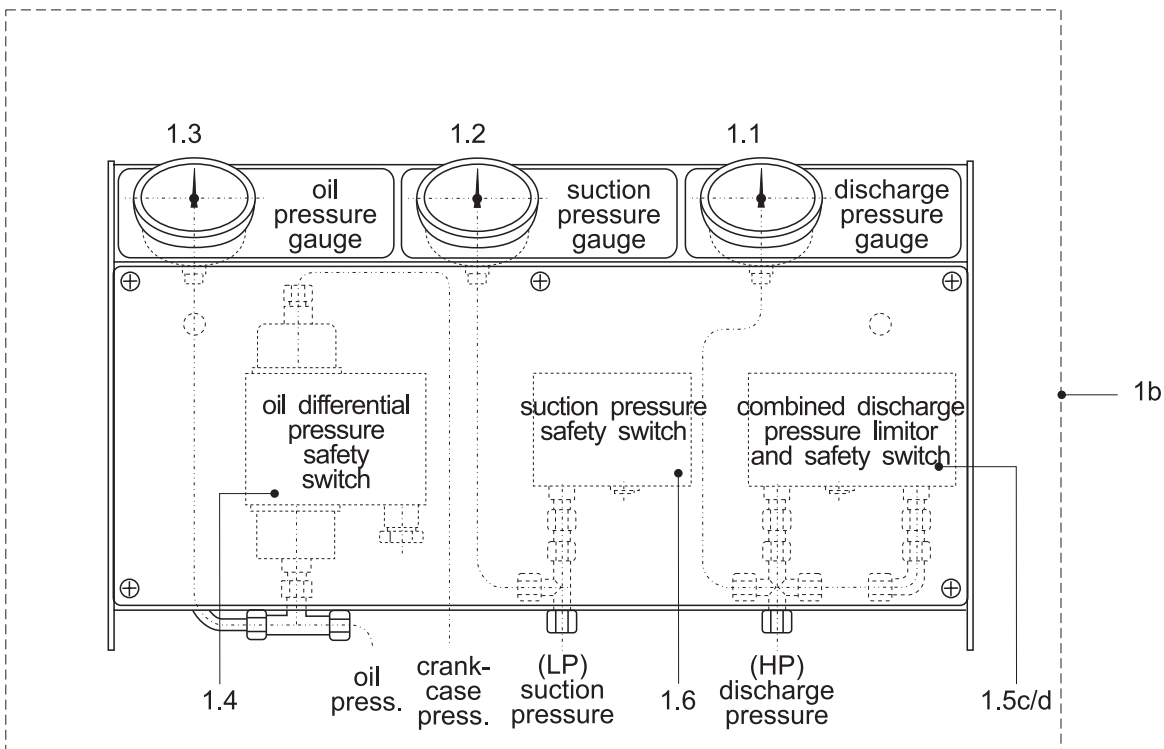
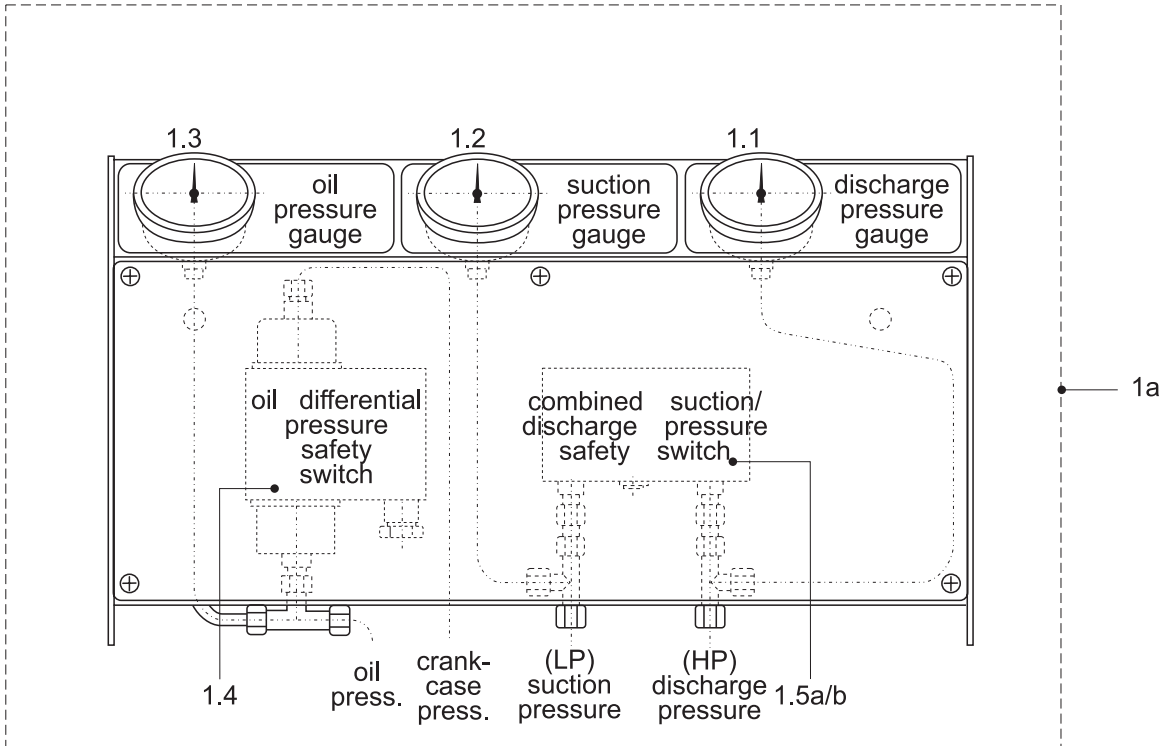


Fig. 2-1 RC6-A1

Item	Description	Dims.	Ref. No.	Qty	Remarks
<b>Fig. RC6-A2 DIRECT DRIVE</b>					
1.1a	COUPLING ELEMENT	42	1918842	1	
1.1b	COUPLING ELEMENT	61	1918861	1	
1.1c	COUPLING ELEMENT	91	1918891	1	
1a	FLEXIBLE COUPLING	type 42 (complete)	*	1	
1b	FLEXIBLE COUPLING	type 61 (complete)	*	1	
1c	FLEXIBLE COUPLING	type 91 (complete)	*	1	
2	CLAMPING SLEEVE	-	*	1	

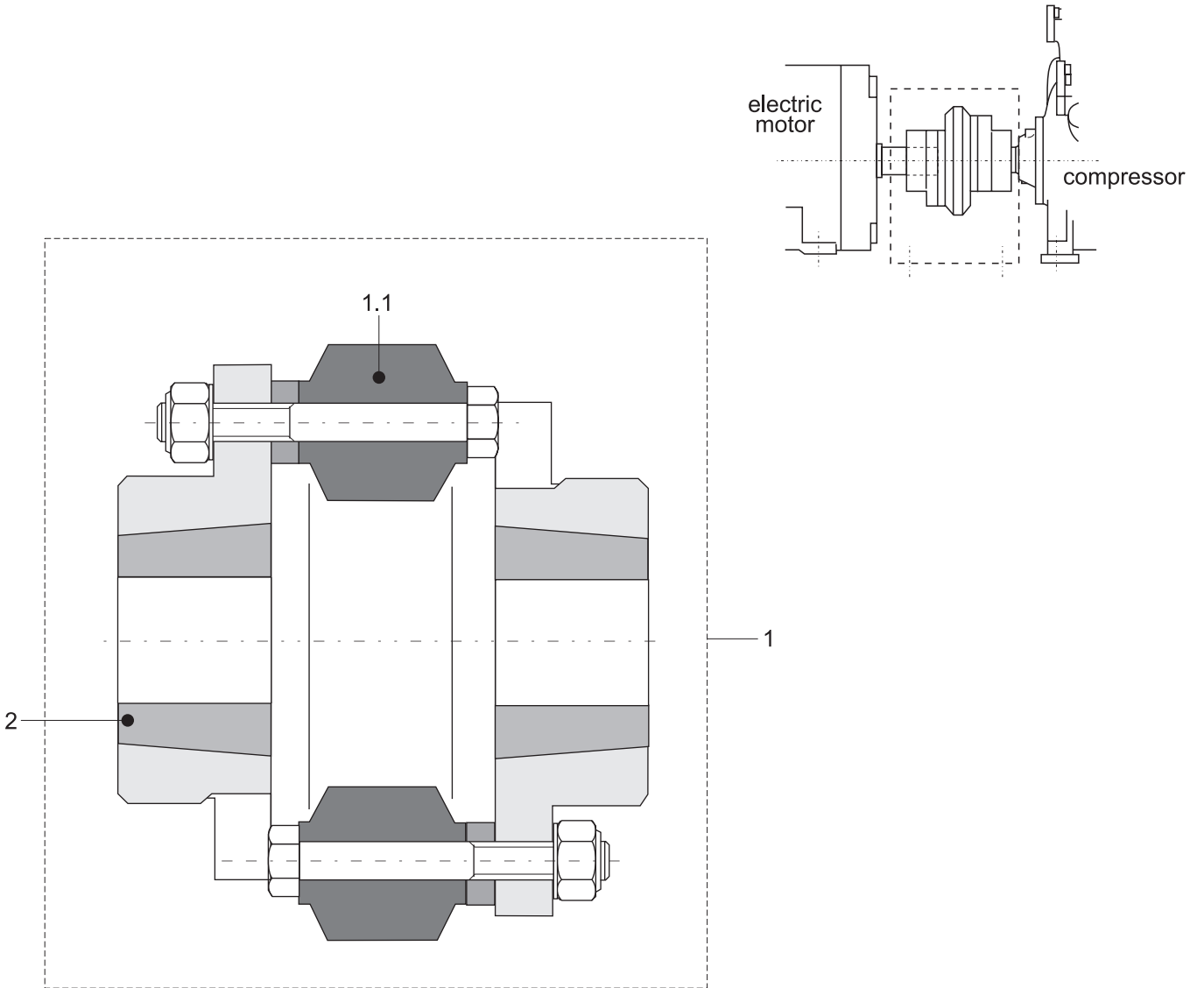
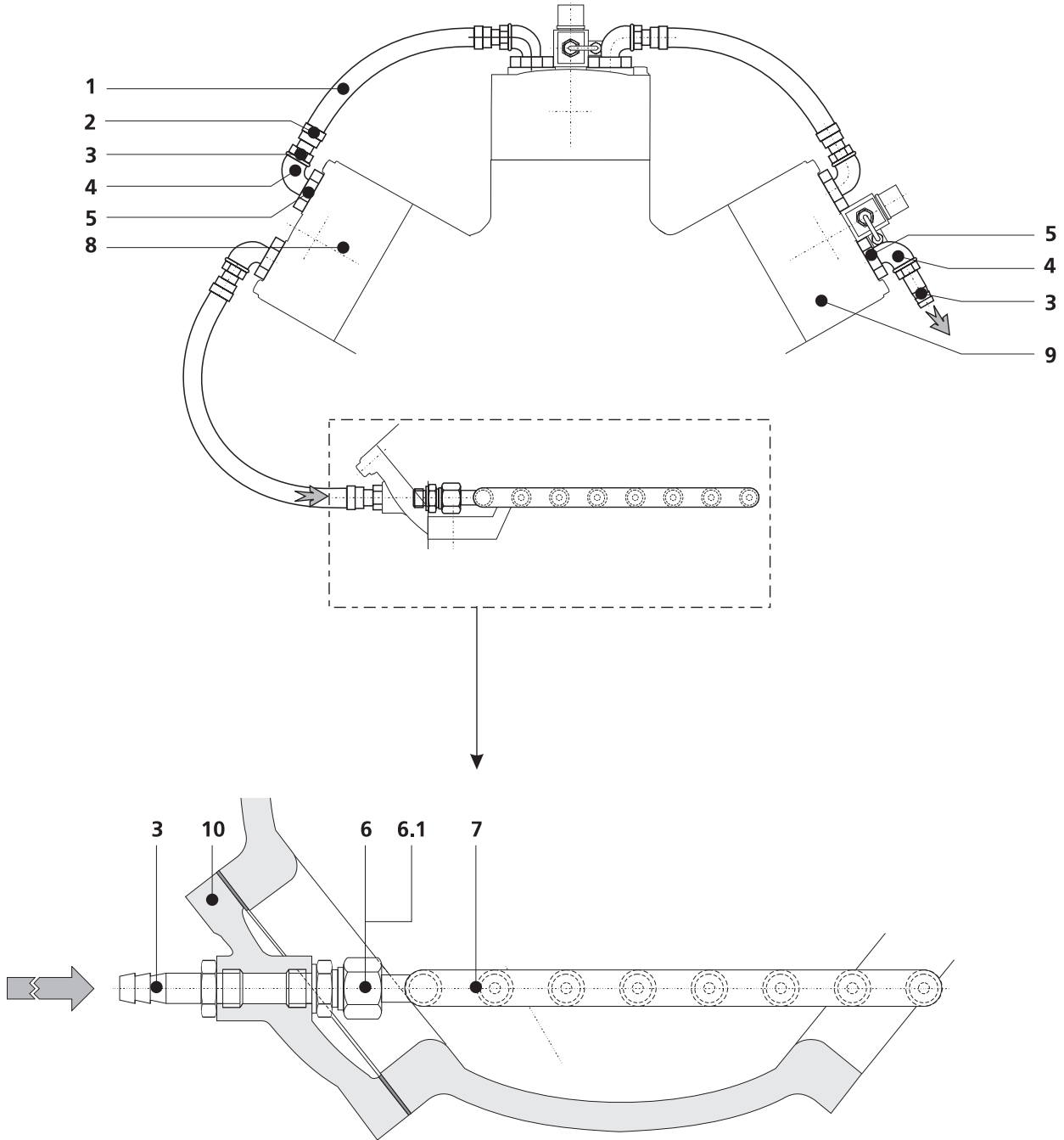


Fig. 2-2 RC6-A2

Item	Description	Dims.	Ref. No.	Qty	Remarks
<b>Fig. RC6-A3 COOLING WATER DEVICE</b>					
1	HOSE, RUBBER	19W	1518019	1	per cylinder head cover connection
2	HOSE CLAMP	19-28 mm	1508600	1	twice per hose, per cylinder head cover connection
3	SPIGOT NIPPLE	19xG21	1555419	1	per cyl. head cover connection
4	ANGLE SOCKET NIPPLE	G21xG21	0372441	1	per cylinder head cover connection
5	SOCKET NIPPLE	G21xG42	0302471	1	per cylinder head cover connection
6	NIPPLE COUPLING	16G21	0338212	1	per coil connection
6.1	CLAMPING SLEEVE	P16	0334516	1	per coil connection
7	COIL COOLER	16x1.5x64x28 0	0410364	1	
8	CYLINDER HEAD COVER	RC6-OCR	2336505	1	
9	CYLINDER HEAD COVER	RC6-1CR	2336515	1	
10	INSPECTION SIDE COVER	175x290WK	0530178	1	



*Fig. 2-3 RC6-A3*



## 3. HISTORY PARTS

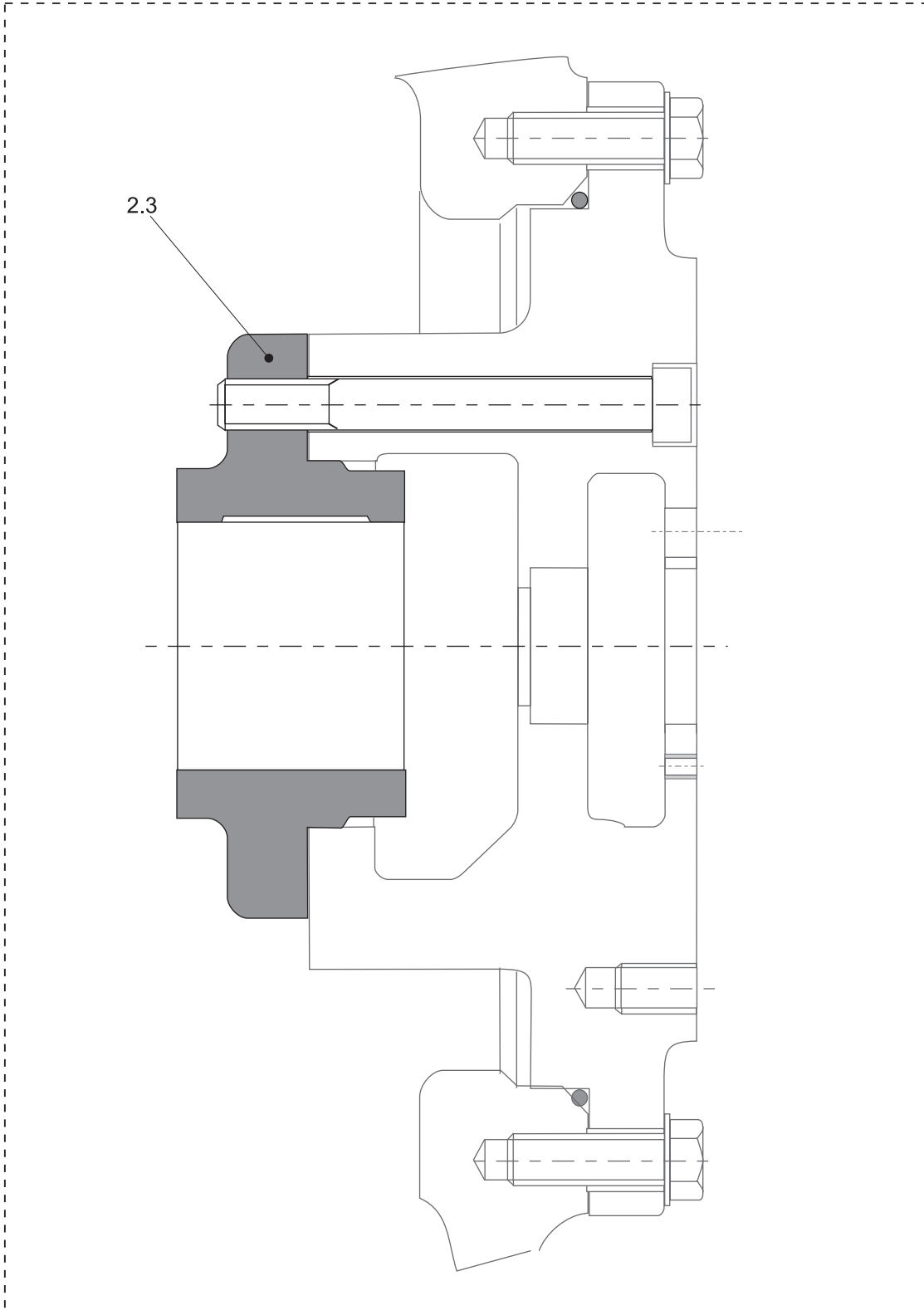
### Table of Contents

Parts List	Page	Figure
FLANGE BEARING	48	RC6-H1
CARRIER DISC	50	RC6-H2
PUMP HOUSING	52	RC6-H3
OIL SUCTION FILTER	54	RC6-H4
OIL PRESSURE REGULATOR	56	RC6-H5
CAPACITY CONTROL MECHANISM	58	RC6-H6
SUCTION AND DISCHARGE VALVE (valves for compr. < june 1999 (mach. nr. <9906***), which are not converted already	60	RC6-H7
OIL DIFFERENTIAL PRESSURE SAFETY SWITCH	62	RC6-H8

---

Item	Description	Dims.	Ref. No.	Qty	Remarks
<b>Fig. RC6-H1 FLANGE BEARING</b>					
2.3	BEARING FLANGE	60x50xM10	1143650	1	up to serial nr. 95.08.1647

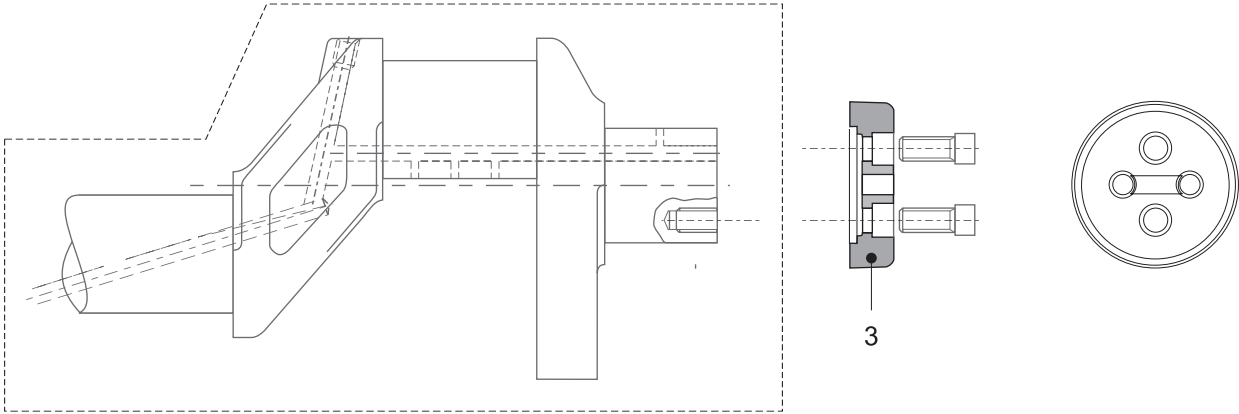




*Fig. 3-1 RC6-H1*

---

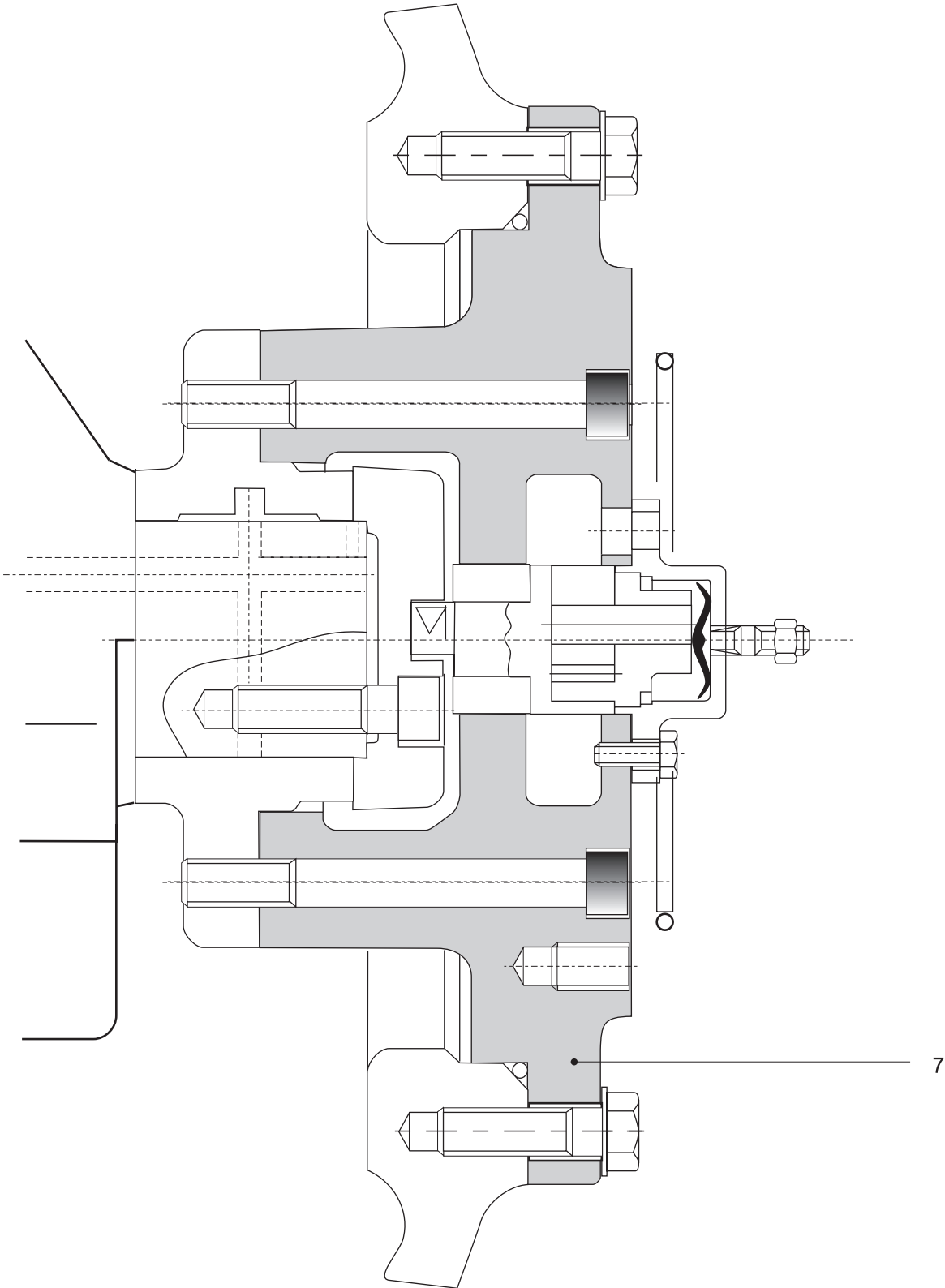
Item	Description	Dims.	Ref. No.	Qty	Remarks
Fig. RC6-H2 CARRIER DISC					
3	CARRIER DISC	60x5	1125105	1	up to serial nr. 95.08.1647



*Fig. 3-2 RC6-H2*

---

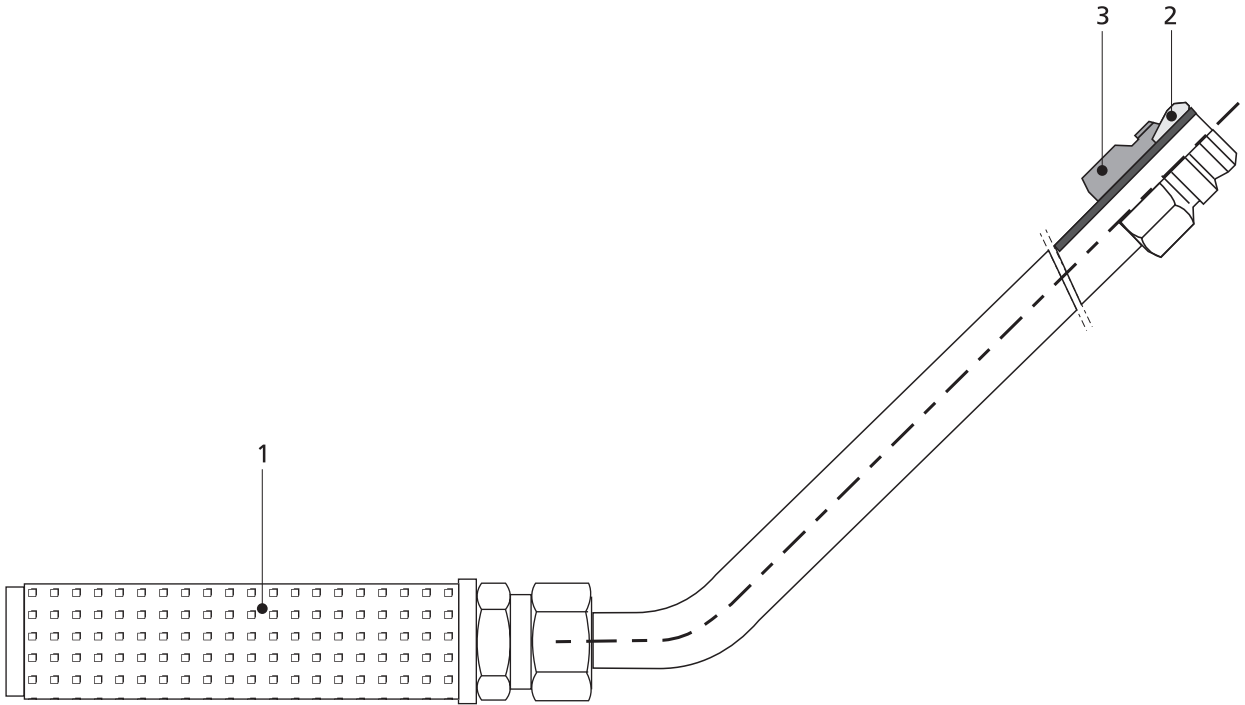
Item	Description	Dims.	Ref. No.	Qty	Remarks
<b>Fig. RC6-H3 PUMP HOUSING</b>					
7	PUMP HOUSING	RC6	*	1	up to serial nr. 95.08.1647, Consult Grasso!



*Fig. 3-3 RC6-H3*

---

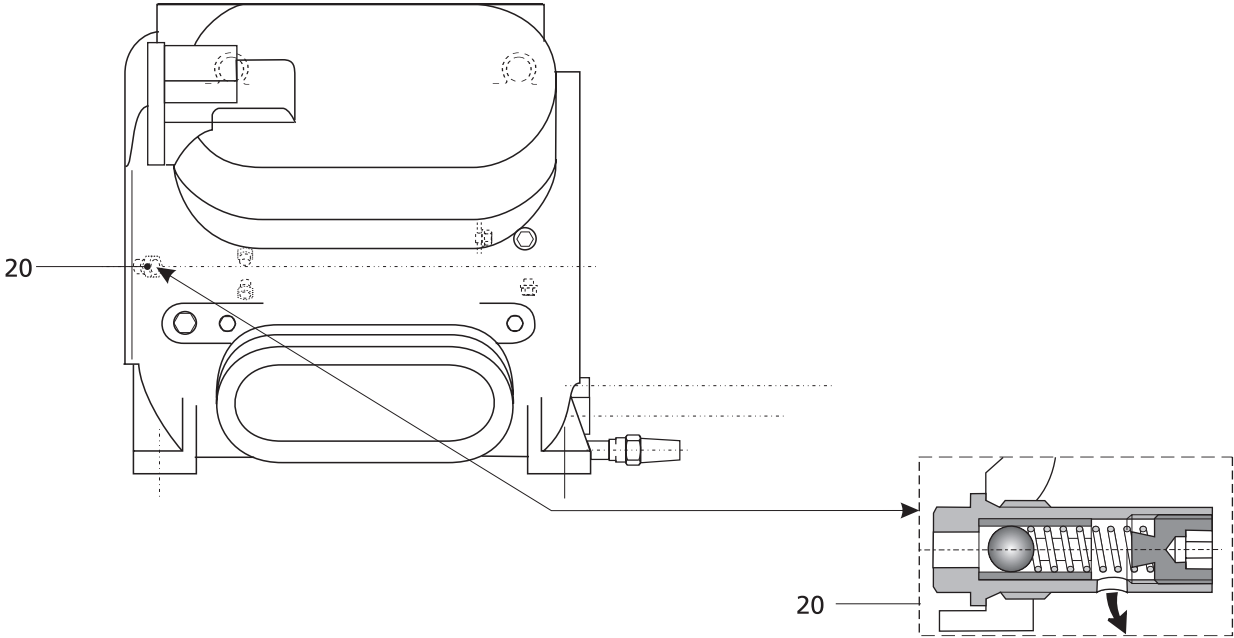
Item	Description	Dims.	Ref. No.	Qty	Remarks
<b>Fig. RC6-H4 OIL SUCTION FILTER</b>					
1	STRAINER ELEMENT		0716160	1	
2	COUPLING RING	S16	0334116	1	
3	GLAND	16G23	0344223	1	



*Fig. 3-4 RC6-H4*

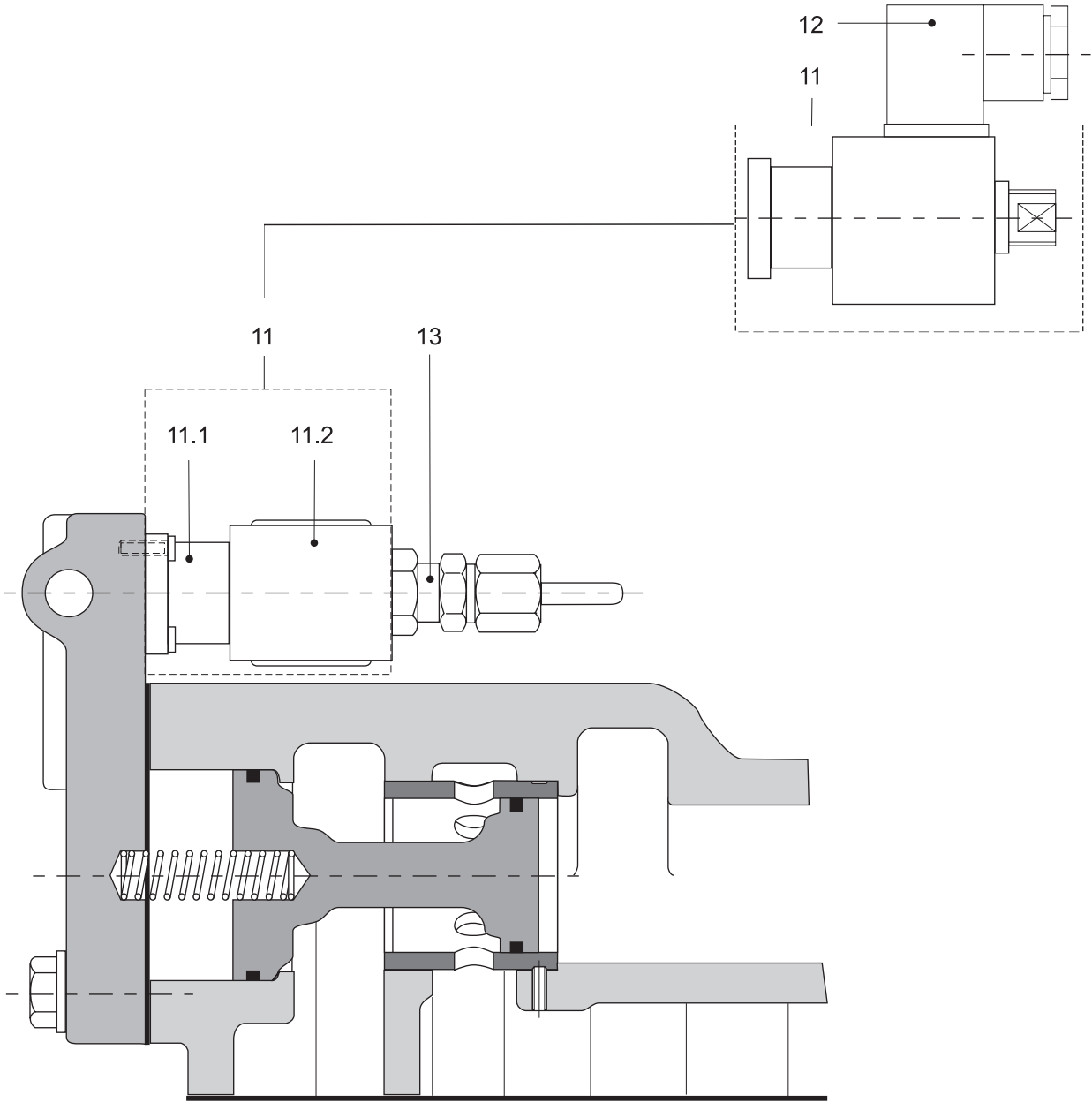
Item	Description	Dims.	Ref. No.	Qty	Remarks
<b>Fig. RC6-H5 OIL PRESSURE REGULATOR</b>					
20	OIL PRESS. REGULATOR	6.5x1.5	2036030	1	To convert this internal oil pressure regulator to an external oil pressure regulator, use conversion kit 12.41.145.





*Fig. 3-5 RC6-H5*

Item	Description	Dims.	Ref. No.	Qty	Remarks
<b>Fig. RC6-H6 CAPACITY CONTROL MECHANISM</b>					
11.1A	VALVE BODY		*	1	AC-supply in comb. with item 12: 110/127V, 50/60Hz
11.1B	VALVE BODY		*	1	AC-supply in comb. with item 12: 110/127V, 50/60Hz
11.2A	COIL	100/110V 12/14W	1316115	1	AC-supply in comb. with item 12: 110/127V, 50/60Hz
11.2B	COIL	200/220V 13/14W	1316225	1	AC-supply in comb. with item 12: 110/127V, 50/60Hz
11A	SOLENOID VALVE	100/110V	*		AC-supply in comb. with item 12: 110/127V, 50/60Hz
11B	SOLENOID VALVE	200/220V	*	1	AC-supply in comb. with item 12: 110/127V, 50/60Hz
12	CONNECTOR WITH RECTIFIER	AC-DC	1316622	1	for valves 11A and 11B
13	NIPPLE COUPLING	6G10	0338106	1	



*Fig. 3-6 RC6-H6*

Item	Description	Dims.	Ref. No.	Qty	Remarks
<b>Fig. RC6-H7 SUCTION AND DISCHARGE VALVE (valves for compr. &lt; june 1999 (mach. nr. &lt;9906***)), which are not converted already</b>					
1	HEXAGON HEAD BOLT	M10x30	0110530	4	
2	FLAT WASHER	M10	1113501	4	
3	PRESSURE RING	RC6	2736400	1	
4	SINUSOIDAL SPRING	87x125x4	1133087	1	
5.NH3	DISCHARGE VALVE ASSY	RCA6	2736110	1	NH3
5.R	DISCHARGE VALVE ASSY	RCF6	2736101	1	R (halocarbons)
5.1	LOCKING NUT	M8	0145400	1	
5.2	FLAT WASHER	M8	1113401	1	
5.3	DISCHARGE VALVE STROKE LIMITOR	RC6	*	1	
5.4a	SINUSOIDAL SPRING	64x76x0.5	*	1	NH3
5.4b	SINUSOIDAL SPRING	64x76x0.5	*	2	R (halocarbons)
5.5	DISCHARGE VALVE RING	64x76x1	*	1	
5.6	SUCTION STROKE LIMITOR	RC6	*	1	
5.7	FITTED BOLT	M8x35	*	1	
5.8NH3	DISCHARGE VALVE AND SPRING	NH3 (ammonia)	1134110	1	
5.8R	DISCHARGE VALVE AND SPRINGS	R (halocarbons)	1134105	1	
6.a	SINUSOIDAL SPRING	88x103x0.5	*	1	NH3
6.b	SINUSOIDAL SPRING	88x103x0.5	*	2	R (halocarbons)
7	SUCTION VALVE RING	88x103x1	*	1	
8	O-RING	3.53x117.07	0952362	1	
9	CYLINDER LINER	85RC6	2336100	1	
10	O-RING	3.53x91.67	0952361	1	
11NH3	SUCTION VALVE AND SPRING	NH3 (ammonia)	1134140	1	
11R	SUCTION VALVE AND SPRINGS	R (haocarbons)	1134145	1	

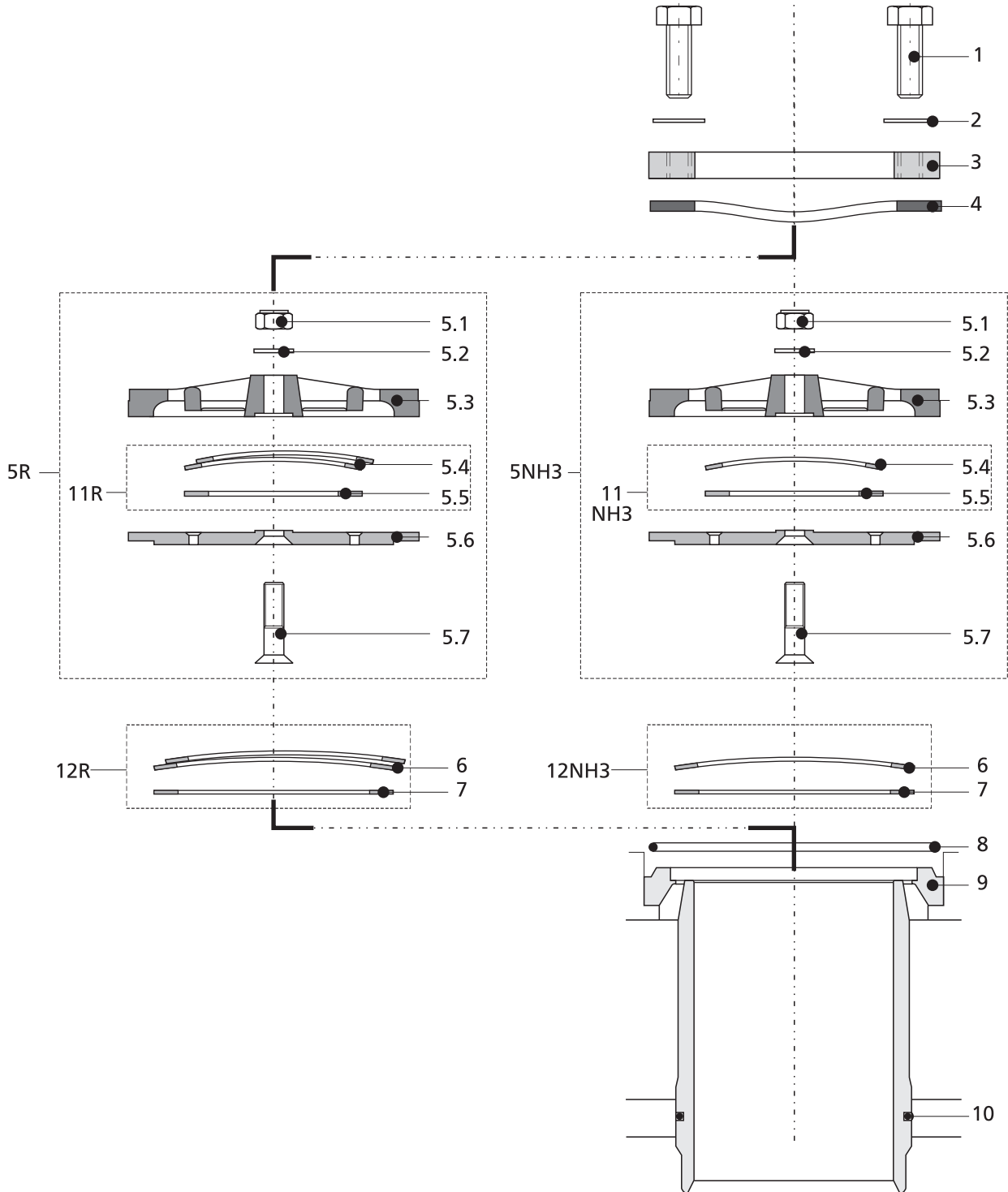
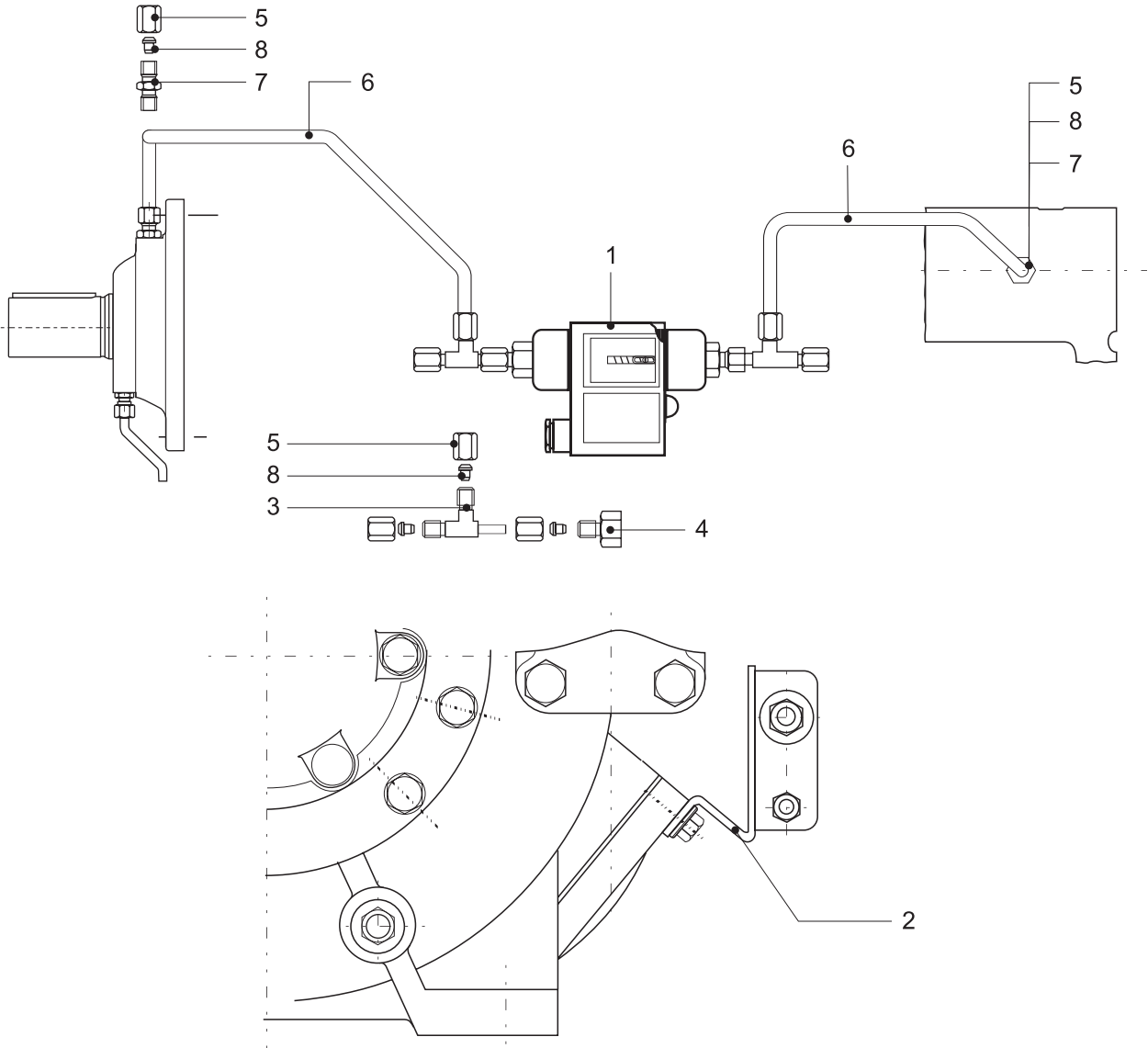


Fig. 3-7 RC6-H7

Item	Description	Dims.	Ref. No.	Qty	Remarks
<b>Fig. RC6-H8 OIL DIFFERENTIAL PRESSURE SAFETY SWITCH</b>					
1a	PRESSURE SAFETY SWITCH	MP55A	1260232	1	NH3
1b	PRESSURE SAFETY SWITCH	MP55	1261232	1	R (halocarbons)
2	BRACKET	63x115	*	1	
3	T-COUPLING	6x6x6	0340406	2	complete
4	SOCKET COUPLING	6G17	0337176	2	complete
5	UNION NUT	F6	0310006	6	
6	STEEL PRECISION PIPE	DN 6x1	*	2	
7	NIPPLE COUPLING	6G10	0338106	1	possibly 6N13 (0338813) or 6G13 (0338136) are applied
8	CLAMP BUT SLEEVE	P6	*	8	possibly 6N13 (0338813) or 6G13 (0338136) are applied



*Fig. 3-8 RC6-H8*

Language of this document	Ref. Nr. Grasso PL RC6
English	0089275

**Grasso Products B.V.** • P.O. Box 343 • 5201 AH  
's-Hertogenbosch • The Netherlands  
Phone: +31 (0)73 - 6203 911 • Fax: +31 (0)73 - 6231 286  
E-Mail: products@grasso.nl • URL: www.grasso.nl  
**Grasso GmbH Refrigeration Technology** • Holzhauser Straße -  
165 • 13509 Berlin • Germany  
Phone: +49 (0)30 - 43 592 6 • Fax: +49 (0)30 - 43 592 777  
E-Mail: info@grasso.de • URL: www.grasso.de



FIND OUT MORE  
ON OUR HOMEPAGE

→ [www.grasso.nl](http://www.grasso.nl)



Please contact the technical department of your supplier for extra information.