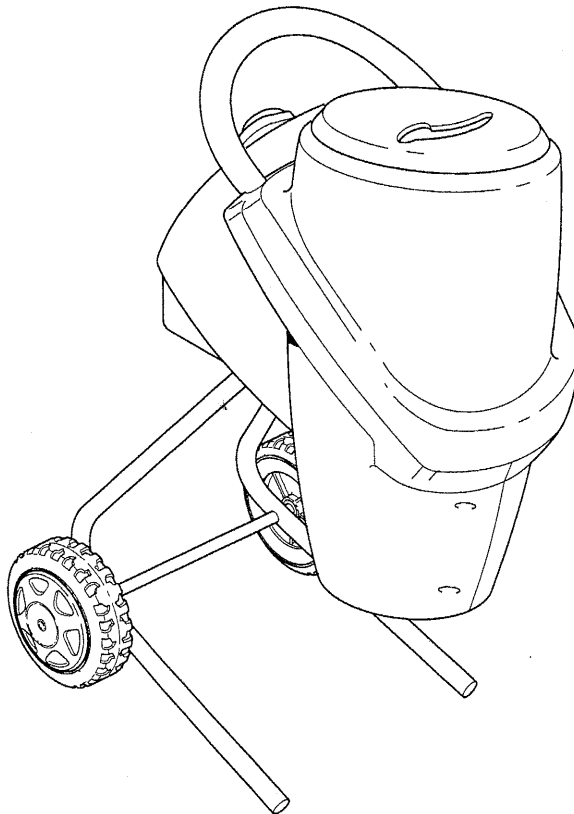



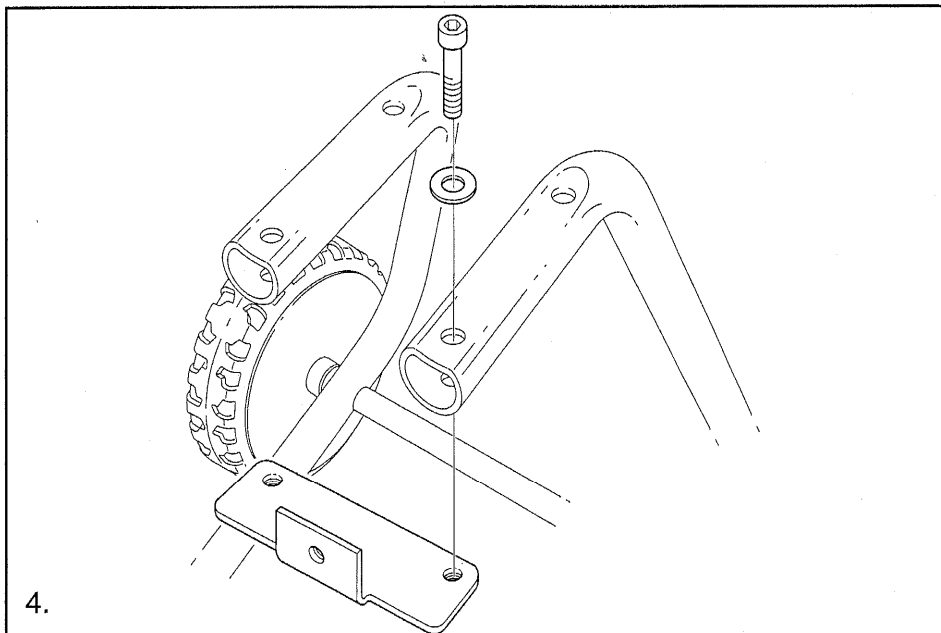
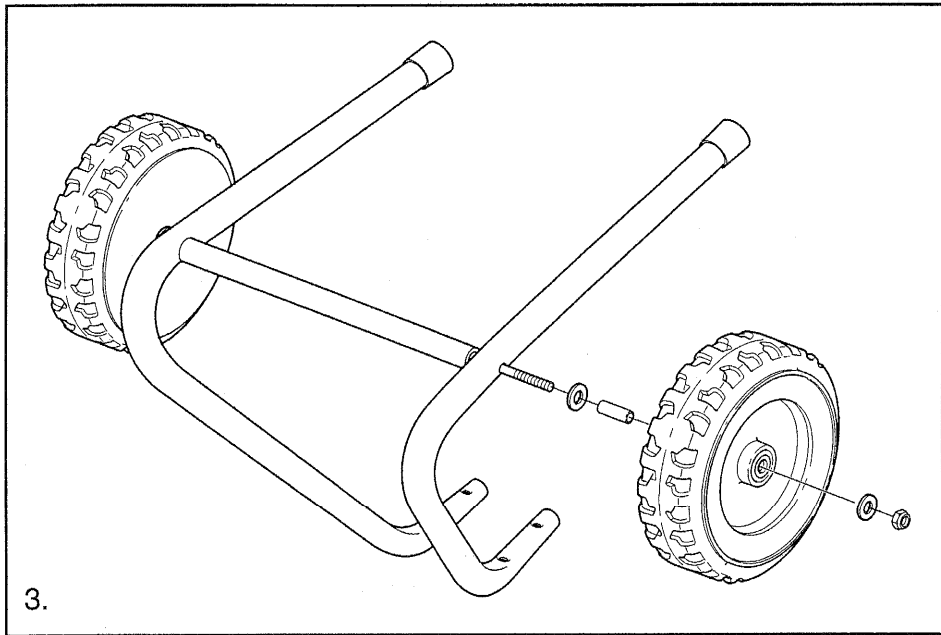
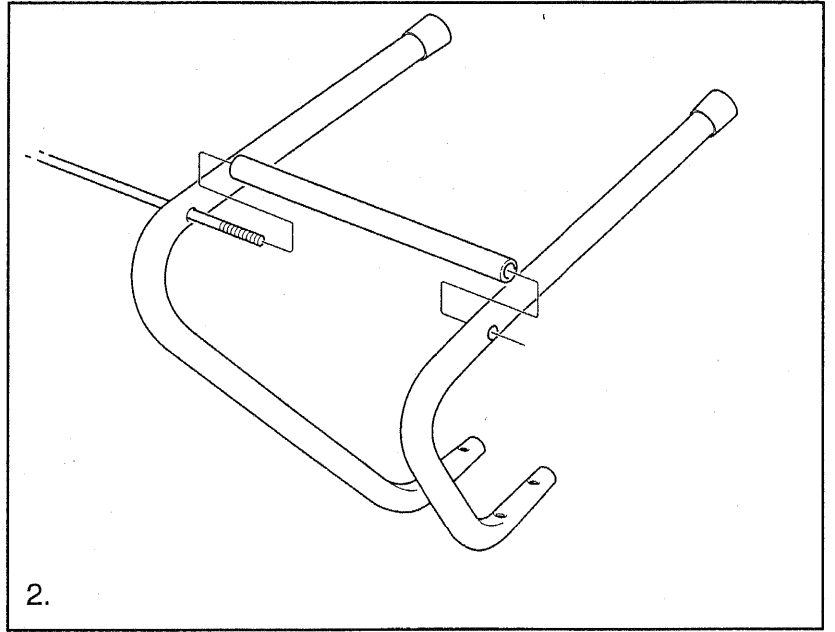
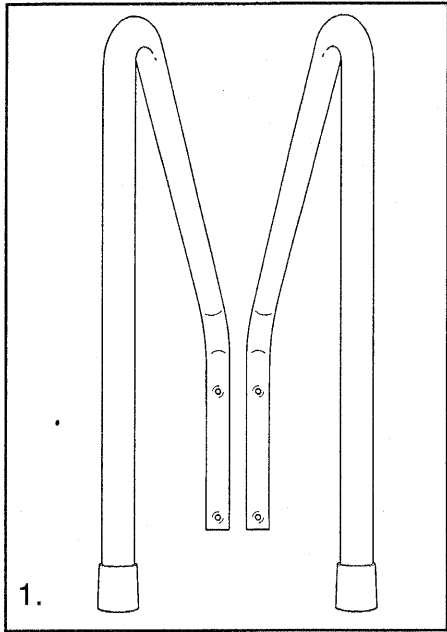
Mountfield

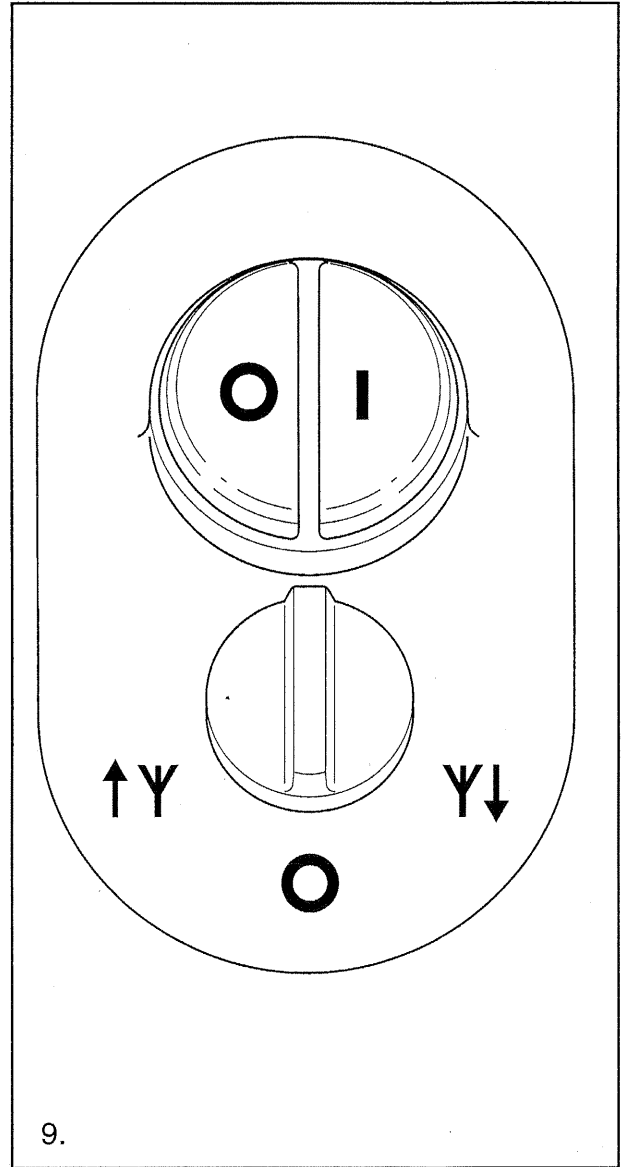
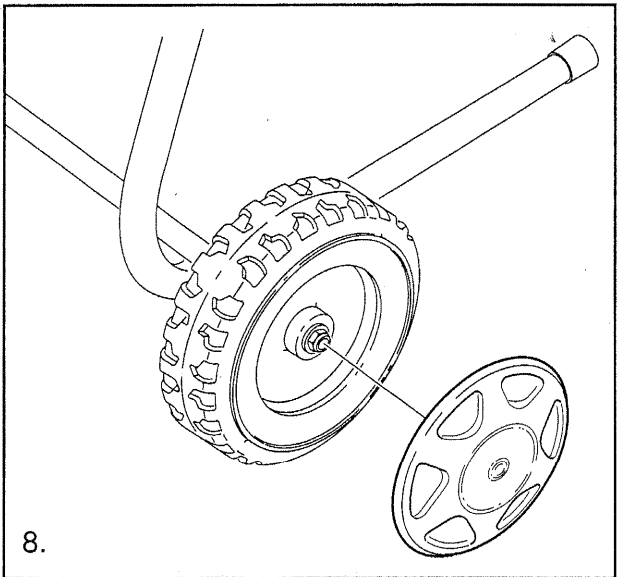
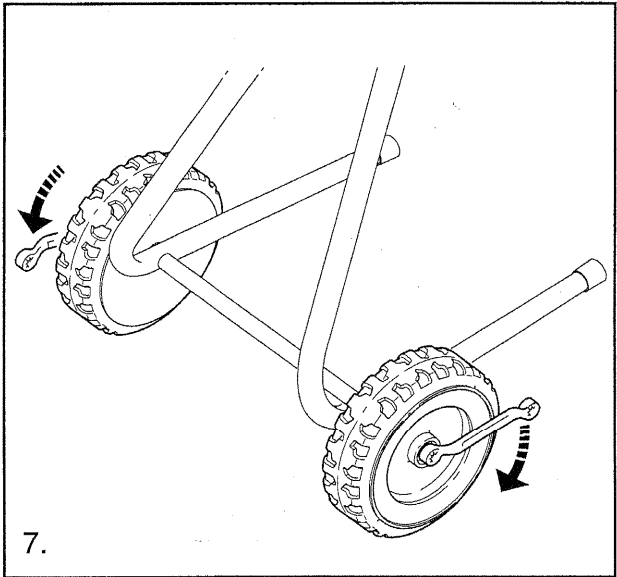
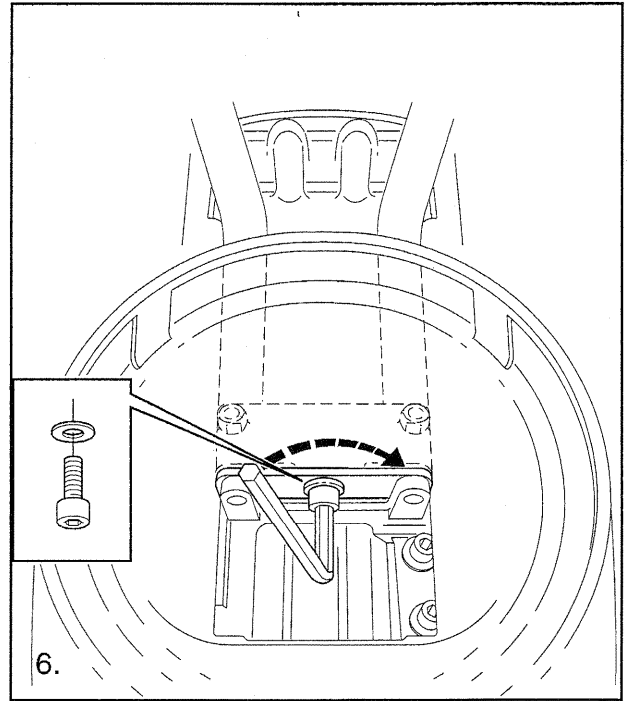
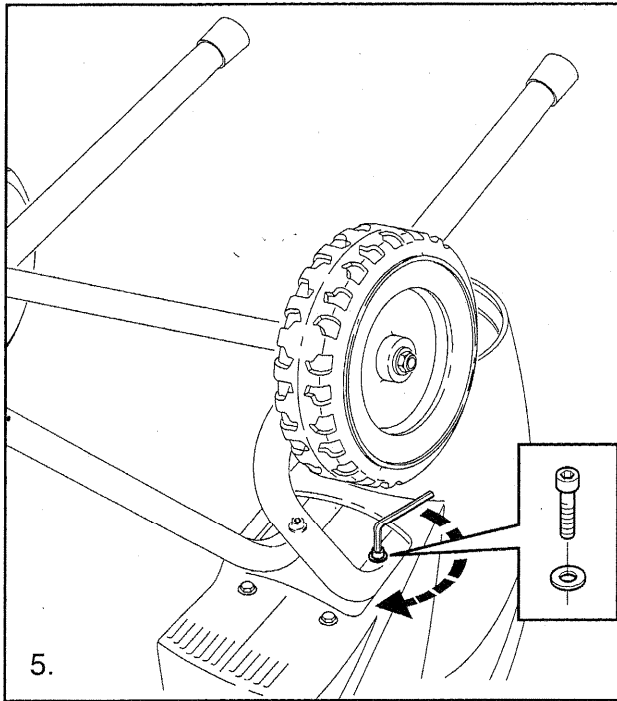
Mountfield Quiet Shredder 2200W Owner's Manual



<p>Read these instructions for use carefully.</p>	<p>Warning! Keep spectators away. Beware of objects being flung out.</p>	<p>Warning! Do not put hands or feet under the cover of the machine when it is running.</p>	<p>Warning - rotating blades!</p>	<p>Remove the plug from the wall socket before carrying out any kind of maintenance.</p>	<p>The blades will continue to rotate after the machine has been switched off.</p>	<p>Wear safety gloves, safety goggles and hearing protection.</p>

EC declaration of conformity		
Product model	Electric compost shredder Mountfield Quiet Shredder 2200W	
Type	K201	
Article No.	17-2651-80	
Serial No.	See machine	
Motor	Sumec M1E-2200	
Measured sound power level	93,2 dB(A)	
Guaranteed sound power level	94 dB(A)	
Manufacturer	GGP Sweden AB, P.O. Box 1006 573 28 Tranås, Sweden	
<p>The product conforms with:</p> <ul style="list-style-type: none"> - Low voltage directive 73/23/EEC - Electromagnetic Compatibility directive 89/336/EEC. - Machine directives 98/37/EEC with special reference to the directive's Annex 1 regarding essential health and safety requirements in association with manufacturing. - Noise Emission Directive 2000/14/EC 		
<p>Issued at Tranås, 2003-05-16</p> <div style="text-align: center;">  Mats Antonsson / General Manager </div>		





SAFETY INSTRUCTIONS



This symbol indicates WARNING. Personal injury and/or damage to property may result if the instructions are not followed carefully.

GENERAL

- Study the warning stickers on the machine. Replace damaged or illegible warning stickers.
- Please read through these instructions carefully. Learn all the controls and the correct use of the machine. Keep these instructions.
- Never use the machine if others, particularly children or animals, are in the vicinity. Anyone who is not aware of these regulations may not use the machine. Never let children use the machine.
- The user is responsible for accidents that happen to other people or their property.

PREPARATIONS

- Wear protective gloves, protective glasses and hearing protectors. Avoid loose clothing.
- Always stand steadily and in balance. Do not stretch towards the machine. Never stand at a higher level than the machine during use.
- During use, the machine should be flat and on a firm surface.
- Ensure that all screws and nuts are properly tightened before use.
- Only use the machine in dry conditions and never outdoors when it is raining.
- Never use the machine with damaged safety devices or without protection.

USING THE MACHINE

- Hard objects such as stones, bottle, cans or pieces of metal must not be fed into the feeding hopper. This can cause damage to the machine.
- If the machine becomes blocked, stop the motor and disconnect the plug. Pull out any objects and check for damage.
- Do not tug on the connection cable. Do not hold the cable taught. This can cause damage in the plugs or in the cable's insulation. Such damage is invisible but can be dangerous.
- Always keep the connection cable away from the

machine. Disconnect the plug from the electric socket and check the cable regularly for signs of damage or ageing. Do not use the machine with a damaged connection cable.

- If the cable is damaged, it must be replaced by an authorised service dealer in order to avoid a hazard.
- If the fuse blows or if the overload protection is triggered, this is a sign that the machine is overloaded and/or that too many appliances are connected to the same lead. Check the cause and remedy. Do not install a more powerful fuse.
- Keep hands, other parts of your body and clothing away from the feeding hopper and the discharge chute. Never wear loose clothing or clothes with belts or straps when using the machine.
- Keep away from the discharge zone when starting the motor.
- Do not allow the pile of processed material to build up inside the discharge chute. This blocks new material and can cause the machine to change its direction of rotation.
- Keep your face and the rest of your body away from the feeding hopper.
- Never move the machine by pulling the cable. The machine must not be moved with the motor running.
- Do not leave the machine unsupervised, but first switch off the motor and disconnect the plug.

MAINTENANCE AND STORAGE

- During cleaning and maintenance, wear protective gloves to avoid injury.
- Switch off the motor and disconnect the plug before carrying out checks or maintenance on the machine.
- If a foreign object comes into contact with the spiral cutter or if the machine produces an abnormal noise level or abnormal vibrations, switch off the motor immediately. Disconnect the plug and check for any damage.
- The manufacturer's obligations and liability (according to the Product Liability Act) only apply on the condition that only spare parts approved by the manufacturer are used.
- Store the machine in a dry place.

- When, after many years of service, your machine needs to be replaced or is no longer required, we recommend that the machine is returned to your distributor for recycling.

ASSEMBLY



Always disconnect the plug from the electric socket before assembly. Always wear protective gloves to avoid injury.

LEGS

1. The legs are different on the left and right sides. Check that the legs are assembled so that they are angled outwards (fig. 1).
2. Thread the wheel axle through the holes in the legs and through the tube (fig. 2).
3. Install the wheels on the wheel axle with washers, spacers and nuts (fig. 3). Do not tighten the nuts yet.
4. Screw the mounting plate into the front holes on the leg frame using washers and long screws (fig. 4). Tighten properly.
5. Turn the motor housing upside down.
6. Insert the leg frame in the opening and ensure that the front nut heads go down into the holes in the motor plate.
7. Secure the leg frame to the machine with washers and long screws (fig. 5). Do not tighten the screws yet.
8. Insert your hand in the discharge opening and screw the short screw and the washer into the hole (fig. 6). Tighten properly.
9. Tighten the long screws properly.
10. Turn the shredder and place it on a flat surface.
11. Tighten the wheels by putting your weight on the other wheel (fig. 7). Screw each wheel approximately the same amount.
12. Press the wheel caps onto the wheels (fig. 8)

USING THE MACHINE

GENERAL

This machine is only intended for private use, not to be used professionally.

The compost shredder is designed to shred organic material such as dry plant residue, twigs, sticks and branches.

TRANSPORT

Take great care during transport and when the machine is to be lifted. Lift the machine by taking a firm grip of the legs by the mounting to the motor housing, under the compost shredder, and lift carefully. Never lift the machine using the cover.

ELECTRICAL CONNECTION

Only use the machine with the cable supplied with your shredder.

If the cable is damaged, it must be replaced by an authorised service dealer.

Connect the machine to a single phase electric socket with a protective conductor (earth). The electric circuit should be fused with a 10A inert fuse.

You are recommended to use an earth leakage circuit breaker which interrupts the current in the event of something happening to the machine or connection cable.

If a portable earth leakage circuit breaker is used, it should always be placed between the electric socket and the connection cable.

Even if an earth leakage circuit breaker is used, safety cannot be guaranteed. Always follow the safety instructions provided. Ideally wear shoes with thick rubber soles.

Test the operation of the earth leakage circuit breaker before each use.

In the event of unfavourable electrical mains conditions, brief voltage drops can occur when you start the apparatus which can affect other appliances (e.g. causing lights to flicker). With a mains impedance of $Z_{\max} < 0,30+j0,19$ ohm, such disturbances are unlikely.

STARTING THE MOTOR




Ensure that the shredder is empty before starting the motor.



Start the motor by first turning the control anti-clockwise and then turning on the main switch (1) (fig. 9).

CHANGING DIRECTION OF ROTATION

 To change the direction of rotation, first turn the control to position **0** and wait until the spiral cutter has stopped. Then turn the control clockwise and turn on the main switch (1). (fig. 9).

MOTOR PROTECTION

The shredder is equipped with a built-in motor protection which prevents the motor being overloaded.

In the event of overloading, the main switch is turned off automatically. The current is broken.

After 5 minutes of cooling, the motor can be started again.

AUTOMATIC CHANGE IN DIRECTION OF ROTATION

In the event of a sudden blockage, the machine can automatically change the direction of rotation. This causes the material to be fed back.

- switch off the machine.
- wait until the spiral cutter has stopped
- start the machine again and use material which can be processed more easily.

STOPPING THE MOTOR



Stop the motor by turning the switch to position **0** (fig. 9).



Do not feed in any material after the motor has been stopped. This will get caught in the machine and can make restarting impossible.

Disconnect the plug if the machine is to be left unsupervised.

EMERGENCY STOP

In order to stop the machine quickly, e.g. in an emergency, press the **0** button on the main switch.

DISCONNECT SWITCH

The machine is equipped with a disconnect switch. This means that the main switch is automatically disconnected in the event of a loss of current. The machine can be started again by reconnecting the plug and turning on the main switch.

SHREDDING

The following types of material can be shredded in the compost shredder:

- twigs and branches
- waste from cutting bushes.
- waste from hedge-trimming.
- plant parts and other garden waste which is suitable for shredding.

Examples of materials which are not suitable for shredding include:

- glass, paper, metal, plastic bags, stones, fabric, earth-covered roots.
- waste that does not have a firm consistency, e.g. kitchen waste.

To prevent damage to the machine, you are recommended not to exceed the following maximum sizes of twigs and branches:

< 40 mm in diameter.

Feel free to stand the shredder on a tarpaulin or similar before shredding. This will catch the shredded material and make removal easier.

The material that is to be shredded is fed into the feeding hopper and, assuming it is not too bulky, automatically pulled down through the slowly rotating spiral cutter to the blades.

Branches and twigs should be shredded shortly after being cut. They become extremely hard when they dry out, and the maximum diameter of what can be shredded is reduced.

A large proportion of garden waste contains a lot of water and therefore sticks easily. Such material should be allowed to dry for a few days before being processed.

Store the shredder indoors in a dry place.

COMPOSTING

The processed material can be composted in various ways:

- The material can be placed in a heap directly on

the ground (cold composting).

- The material can be placed in a plastic container, wooden crate, skeleton container or similar (cold composting).
- The material can be placed in an insulated compost holder. The heat is then held for longer and the rotting process also continues during the winter. This method produces faster results (warm composting).
- The material can be spread directly onto the garden (surface composting).

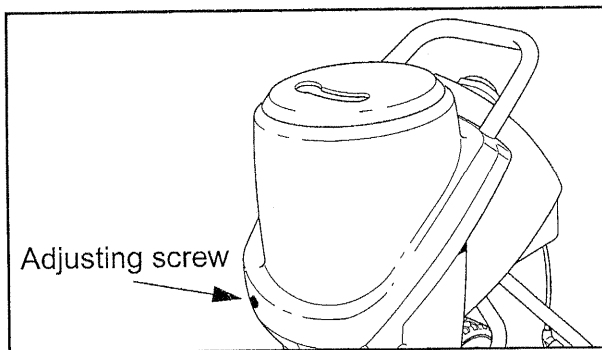
ADJUSTING THE SHAVING PLATE

The cutting mechanism is adjusted in the works and does not have to be set during initial commissioning.

Switch on device (switch in right position)



Only adjust the shaving plate when the motor is running. Failure to do so may lead to serious damage to the device.



Turn adjusting screw in a clockwise direction with the motor running until scraping noises are heard and fine aluminium chips fall out of the delivery chute. Worn points on the shaving plate are optimally compensated.

This improves the cutting of the shredding material.

MAINTENANCE



Always disconnect the plug from the electric socket before any maintenance. Always wear protective gloves to avoid injury.

Generally speaking, compost shredders require very little maintenance. In order to maintain the efficiency of the machine and to achieve a long service life, observe the following:

- keep the air openings clean and free of obstructing material.
- check the customer-installed nuts and screws (tighten if necessary).
- spray the spiral cutter after each use with an environmentally-friendly, biodegradable spray oil to protect against corrosion.

CLEANING

Always clean the compost shredder after each use.



Never use a high-pressure washer or running water when cleaning the shredder!

Brush away dirt and plant residue which may be caught in the spiral cutter. Wipe clean the outside of the shredder with a cloth which has been moistened with a mild detergent and water.

SERVICE

Authorised service stations carry out repairs and servicing. They use genuine spare parts.



Under no circumstances may parts other than genuine spare parts be used. This is a requirement stipulated by the Testing Authority. The machine is approved and tested with these parts.

If the machine requires servicing, repairs or maintenance which entail dismantling of the cover, this must be performed by an authorised service station.

The manufacturer reserves the right to make alterations to the product without prior notification.

PURCHASE TERMS

A full warranty is issued against manufacturing and material defects. The user must carefully follow the instructions given in the enclosed documentation.

Warranty period

For consumer use: two years from the purchase date.

Exceptions

The guarantee does not cover damage due to:

- Neglect by the user to acquaint themselves with accompanying documentation
- Carelessness
- Incorrect and non-permitted use or assembly
- The use of non-genuine spare parts
- The use of accessories not supplied or approved by GGP

Neither does the guarantee cover:

- wearing components such as blades, belts, wheels and cables
- Normal wear
- Motors. These are covered by the motor manufacturer's warranties, with separate terms and conditions.

The purchaser is covered the national laws of each country. The rights to which the purchaser is entitled with the support of these laws are not restricted by this warranty.