



## SERVICE MANUAL

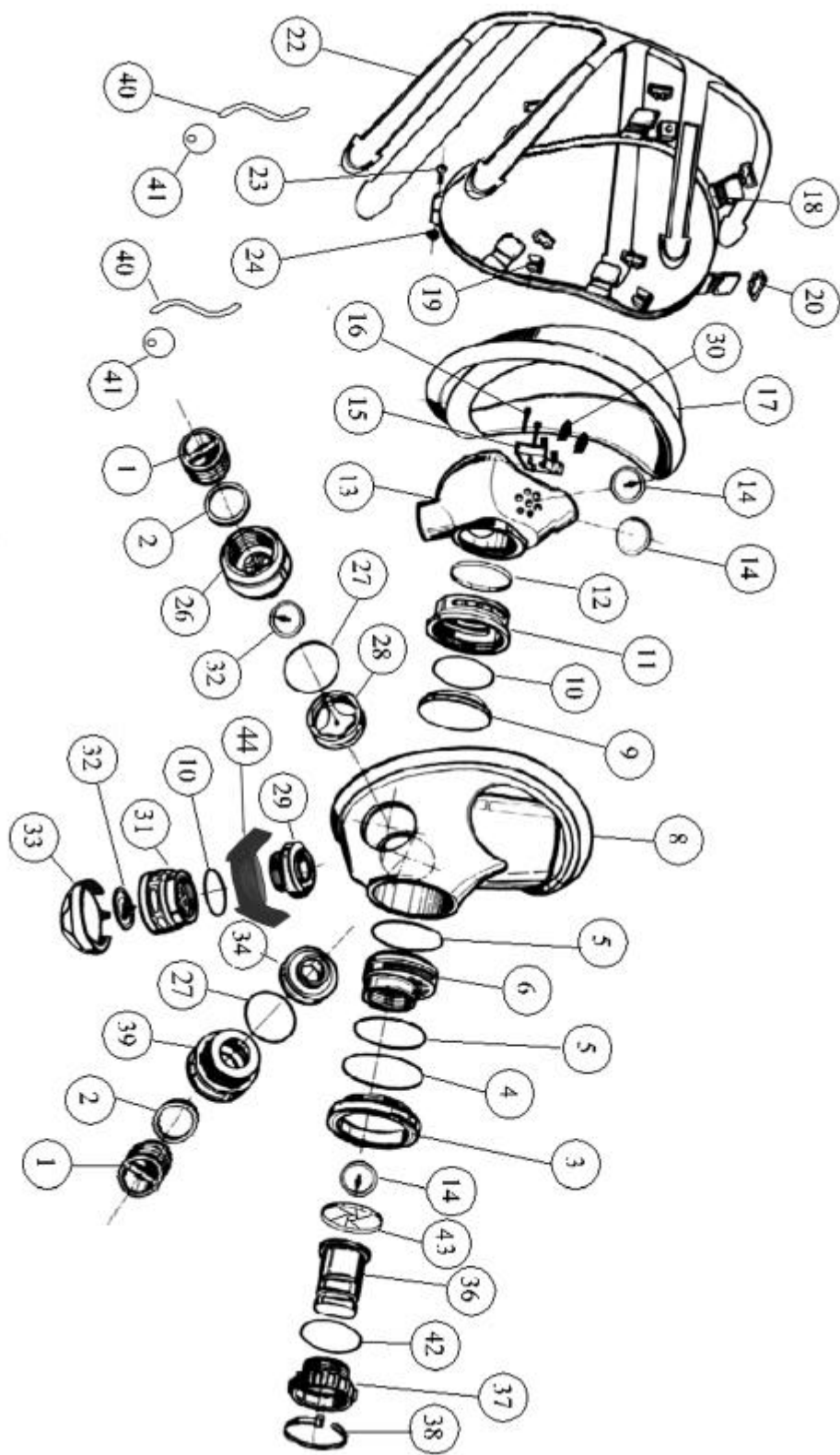
### TABLE OF CONTENTS

- **NEPTUNE II (rel.2.2)**
- **GSM (Global Submarine Messenger) and M101A**
- **M-105 Digital**
- **Alpha 1-Alpha 2**
- **GSM TV2**
- M-101 / M-103
- **EVOLUTION**
- **IMPACT - SELECTA**
- MASK 2 - 3 - 4 - 5 - 6
- **R. R. B. S.**
- SELF-DRAINING - DROP AWAY
- AUSTRALIA - AUSTRALIA SPECIAL
- **SPOT PVC**
- **COMPUTER OCEAN 02 nitrox- OCEAN 01 PLUS**
- DISCOVERY CONSOLE
- PRESSURE GAUGE
- CONSOLE COMBO
- **NIRA (Neptune Integrated Regulator Adapter)**
- II st. 6600AL ADJUSTABLE
- **II st. DYNAMIC ADJ** – (former OCEAN EDGE ADJ.)
- **OCTOPUS DYNAMIC**
- I STAGE 6700
- **I STAGE 6600**
- **II STAGE ENTERPRISE ADJUSTABLE**
- **OCTOPUS ENTERPRISE NON ADJUSTABLE**
- **I STAGE TR-94 POLAR - TR-94**
- **I STAGE 6010**
- II STAGE ENTERPRISE NITROX
- OCTOPUS ENTERPRISE NITROX
- II STAGE OCEAN EDGE NITROX
- OCTOPUS OCEAN EDGE NITROX
- I STAGE 6600 NITROX –
- TEK VEST 225
- LJS 93HT
- LJS 5400HT
- INFLATOR'S VALVE
- INFLATOR'S EXHAUST VALVE
- **OVERPRESSURE VALVE**
- OCEAN EDGE TOOL - **OCEAN EDGE KNIFE**
- **TEK KNIFE SILVER - BLUNT TIP – BLACK**
- **POWER INFLATOR 99**

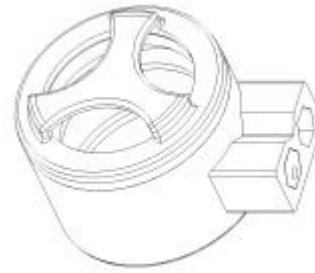
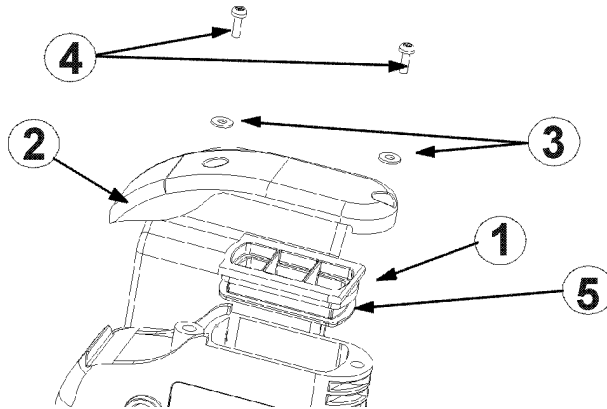
*The **bold** items are in the year 2001 catalog*

# NEPTUNE II (rel. 2.2)

<b>Kit SDK-0 Clamping band</b>	33023		<b>SDK-3 Exhalation valve</b>	33026	
Clamping Band	9001	18	NG-15 Bushing wholes	6518	29
MI-15 Visor support SYSTEM	6719	19	MI-10 O-ring 2131 33x1,78	6710	10
FRB2 buckle	9002	20	NG-14 Exhal. valve holder	6517	
NG-23 Screw M3X14	6528	23	ER-09 Exhaust	8811	32
NG-24 Nut M3 3mm	6529	24	NG-17 Valve cover	6520	
<b>Kit SDK-20 O-ring Neptune II</b>	33034		<b>Kit Directional Exhalation valve</b>	33031	
MI-8 O-ring DI.67x1.5	6709	4	M-10-O ring 2131 33x1,78	6710	10
MI-7 O-ring 58.2x1.78	6708	5	ER-09 Exhalation valve	8811	32
MI-10 O-ring 2131DI.33x1.78	6710	10	Directional Exhaust valve holder	6502	31
NG-13 Seal wo/g	1361	2	Directional Exhaust valve cover	6503	33
NG-12 O-ring DI46.9x1.5	6501	27	Directional Exhaust valve deflector	6504	44
<b>Kit SDK-30 Valve Neptune II</b>	33035		<b>SDK-4 Octopus connector section</b>	33027	
MI-5 Inhaler membranes	1371	14	NG-9B Plug	6515	1
MI-4 Membranes seat	6707	43	NG-13 Seal	1361	2
ER-09 Exhaust valve	8811	32	NG-9 Side Connector	6922	26
<b>Kit SDK-6 Regulator adapter "M"</b>	33021		NG-12 O-ring 46,9x1,5	6501	27
SB-2M Adapter Medium Size	6911	36	NG-10 Side connector bushing	6514	28
SB-3 Bushing	6729	37	ER-09 Exhalation valve	8811	32
SB-4 Plastic band 3.5 x 140	9560	38	<b>Separate parts</b>		
Ring adapter regulator	6900	42	Visor	7003	8
<b>Kit SDK-7 Equalizer</b>	33029		N-6AS Face seal black	1351	17
SB-5A Equalizer	6914	15	N-6AS Face seal cobalt	1352	17
SB-1 Disk for equalizer	33061	9	N-6AS Face seal yellow	1350	17
MI-10 O-ring 2131DI.33x1.78	6710	10	M-8 Strap for FRB2 buckle	9003	22
SB-6 Screw M2x6	8764	16	MI-3 Threaded locking ring	6706	3
Washer for screw M2x6	6902		MI-2 Regulator connector	6705	6
SB-5C Eccentric Equal. block	6924	30	MI-1 Breathing assembly	6903	11
Disks for Eccentric Equal. Block	33060		MI-14 Orinasal band	6718	12
<b>Maintenance tools kit</b>	33460		N-7 Orinasal black	1355	13
K11-A Closed-end wrench	33403		N-7 Orinasal transparent	1356	13
K11-B L-shaped Allen wrench	33402		NG-15 Bushing w/holes	6518	29
K11-C I-shaped Allen wrench	33401		NG-14 Exhaust valve holder	6517	
Screwdriver	9790		NG-17 Valve cover	6520	
<b>Kit SDK-40 Quick Release Ball</b>	33036		NG-9B Plug	6515	1
Lateral band	8900	40	NG-9 Side connector	6922	26
Ball for Lateral Band "Quick Release"	6830	41	NG-10 side connector bushing	6514	28
<b>Kit SDK-2 Front breathing section</b>	33025		MP-2 Com. system bushing	6540	34
MI-3 Thread locking ring	6706	3	NG-9 Side connector wo/h	6304	39
MI-8 O-ring 67x1,5	6709	4	<b>Separate accessories</b>		
MI-7 O-ring 58,2x1,78	6708	5	C21 Lens frame	33299	
MI-2 Regulator connector	6705	6	AC-1 Manual	6906	
MI-10 O-ring 213 33x1,78	6710	10	Quick Reference Card	6915	
MI-1 Breathing assembly	6903	11	AC-2 Carrying bag	6907	
MI-14 Orinasal Band	6718	12	AC-4 Protective screen	6908	
N-7 Orinasal	1355	13	Adapter FIT PHONE microphone	3102	
MI-5 Inhaler Membranes	1371	14	Kit SDK-6 Regulator adapter "Small"	33020	
MI-4 Membranes Seat	6707	43	Video. Creating the future Ital./Pal	6906	
<b>SDK-5 Com System connector section</b>	33028		Video. Creating the future Eng/Pal	7906	
NG-13 Standard seal	1361	2	Video. Creating the future Eng/Ntsc	8906	
NG-12 O-ring 46,9x1,5	6501	27	Video. Creating the future Fre/Pal	2906	
MP-2 Com System bushing	6540	34	Video. Creating the future Spa/Pal	3904	
NG-9B Plug	6515	1	Video. Creating the future Spa/Ntsc	3902	
NG-9 Side Connector	6304	39	Video. Neptune II Servicing Pal	5905	
<b>RETROFITTING KIT TO NEPTUNE II</b>	33046		Video. Neptune II Servicing Ntsc	4905	
MI-5 Inhaler Membranes	1371	14	Video Neptune Ita/Pal	8904	
MI-2 Regulator connector	6705	6	Video Neptune Eng/Pal	7904	
MI-3 Thread locking ring	6706	3	Video Neptune Eng/NTSC	9904	
MI-7 O-ring 58,2x1,78	6708	5	Video Neptune Ger/Pal	5906	
MI-4 Membranes Seat	6707	43	Video Neptune Fre/Pal	5904	
			Polartex Strap (low temperature)	9004	
			Video Neptune JPN/NTSC	2906	



# GSM (Global Submarine Messenger) and M101A



D Mic

GSM parts	Code	Key
Plug GSM	33100	1
O-ring 132	33098	5
<b>GSM cover kit</b>	<b>9867</b>	
Cover GSM /yellow	33099	2
Washer	6902	3
Screw M2x6	8764	4
<b>Hot Mic" Microphone Kit</b>	<b>9868</b>	
Hot Mic" Microphone	9869	
Microphone screw	9870	
Microphone washer	9871	
<b>D-Mic Microphone with screws A4</b>	<b>8600</b>	
D Mic inox screws A4 TC 2x5 AISI 316	8610	

M101 A parts	Code	Key
Plug GSM/yellow	33041	1
O-ring 132	33098	5
<b>M101 A cover kit</b>	<b>33043</b>	
Cover GSM/black	33042	2
Washer	6902	3
Screw M2x6	8764	4
Cover GSM/lime	33044	2
Cover GSM/blue	33045	2

## M-105 Digital

6 volts rechargeable battery	21038
Charger 6/12-220 volts	21037
Charger 6/12-110 volts	21035
External power cable for 12 volts	8594
Microphone for M105 Digital	8595
Antenna (33 mm) for M105 Digital (rel.1.0) with 10 mtrs cable	8607
Antenna (26 mm) for M105 digital (rel. 1.1) with 10 mtrs cable	8608

## ALPHA 1 – ALPHA 2

1,2 volts NiCd AA rechargeable battery	8547
1,2 – 220 volts NiCd batteries charger	8546
1,2 – 110 volts NiCd batteries charger	8537
ALPHA Headset	8598

## GSM TV2

Surface remote station belt with velcro	8579
SHF Antenna (remote unit) protection	8578
SHF Antenna (remote unit)	8600
UHF Antenna (remote unit) protection	8577
UHF Antenna (remote unit)	8601
1,2 volts NiCd rechargeable battery	8547
12 volts lead rechargeable battery	8574
Microphone for GSM TV2 Base Unit	8604
Audio Antenna for Base Unit	8602
Video Antenna for Base Unit	8603
Charger 6/12-220 volts	21037
Charge 6/12-110 volts	21035
Surface remote Unit Torpedo Buoy	19619

## M-101 / M-103

Plug M101/M103	12146
O-ring M101/M103	9408
M 103 Headset	8606

## EVOLUTION

DESCRIPTION	CODE
BLACK SIL. STRAP	001026
TRANSP. SIL. STRAP	001023
BLACK STOP STRAP	009203
BUCKLE	007376
ROLLER	007375
PLUG FOR BUCKLE	007374
SCREW M2X4	007369

## IMPACT - SELECTA

DESCRIPTION	CODE
GRAPHLEX STRAP	001029
BLACK STOP STRAP	009203
BUCKLE	007350
SPRING 060	007360

## MASK 2 - 3 - 4 - 5 - 6

DESCRIPTION	CODE
PIN	007433
SPRING	007431
RIGHT BUCKLE	007424
LEFT BUCKLE	007425
ROLLER	007432
BLACK STOP STRAP	009203
TRANSPARENT SIL. STRAP	001023

## R. R. B. S.

DESCRIPTION	CODE
STRAP	001200
BODY	007601
LOCKING LEVER	007602
LEVER SPRING	007362

## SELF-DRAINING - DROP AWAY

Description	Code
Mouthpiece O.Edge w/valve	000421
Snorkel holder de luxe	008009
Valve holder	008006
Valve cover	008007
Exhaust valve	007999

## AUSTRALIA - AUSTRALIA SPECIAL

Description	Code
Mouthpiece Australia w/valve	000418
Mouthpiece Australia	000417
Snorkel holder SNO3	008005
Exhaust valve	009472
Valve holder	008003

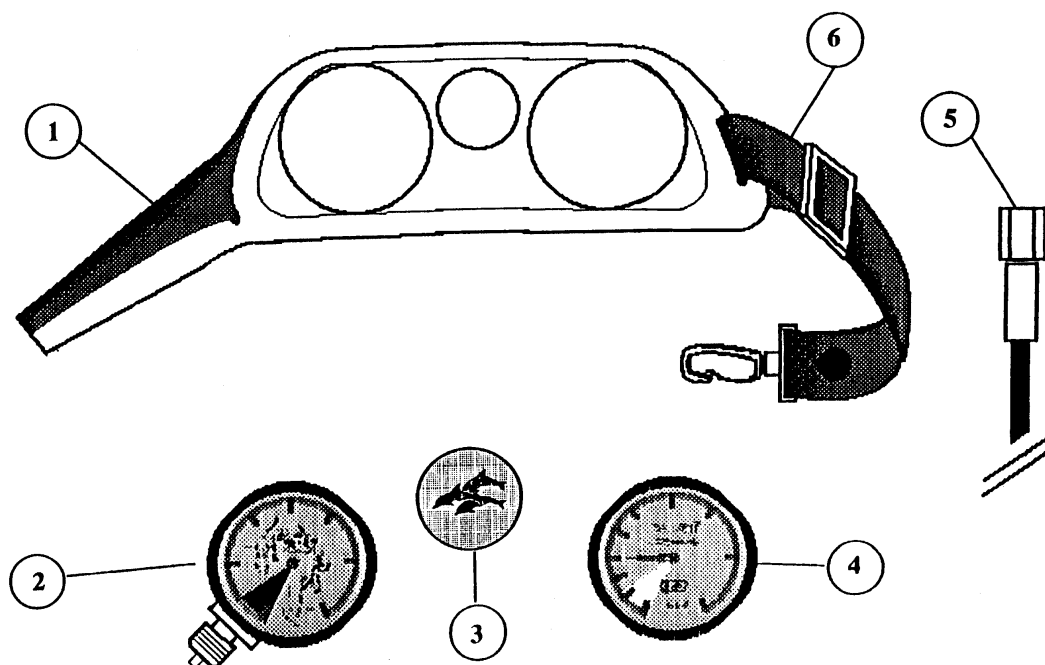
## SPOT PVC

Description	Code
Mouthpiece	000413
Snorkel holder D. 25	008001

## COMPUTER OCEAN 02 NITROX - OCEAN 01 PLUS

Description	Code
Battery Ocean 01/02	2552
Strap Ocean 01/02	1030
O-ring battery seat	9406
Cover battery seat	12143

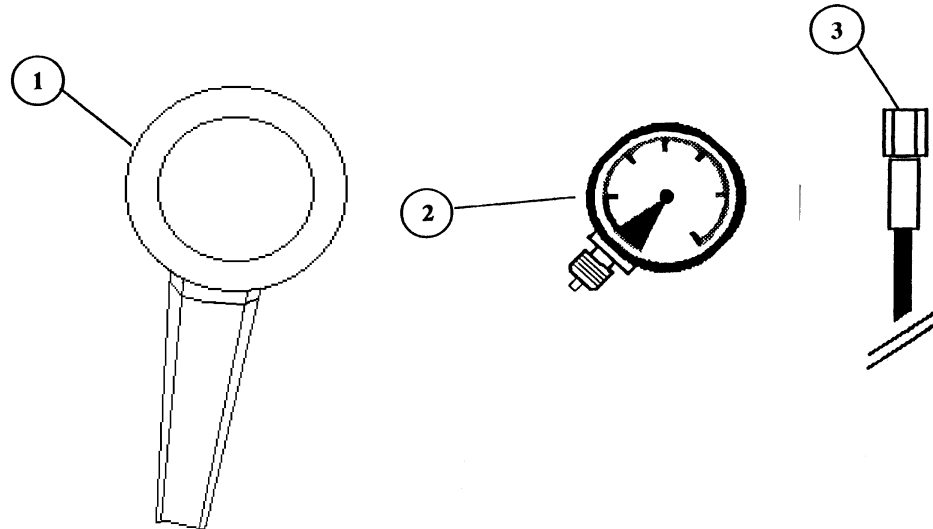
# DISCOVERY CONSOLE



DESCRIPTION	CODE	KEY
BLACK COVER	021017	1
PRESSURE GAUGE HP (METERS)+HP HOST	005607	2
PRESSURE GAUGE HP (PSI)+HP HOST	005608	2
BASIC PLUG	005531	3
DEPTH GAUGE (METERS)	005601	4
DEPTH GAUGE (FEET)	005602	4
HP HOSE	005548	5
BLACK STRAP	021031	6

# PRESSURE GAUGE

(Ocean Edge instruments)



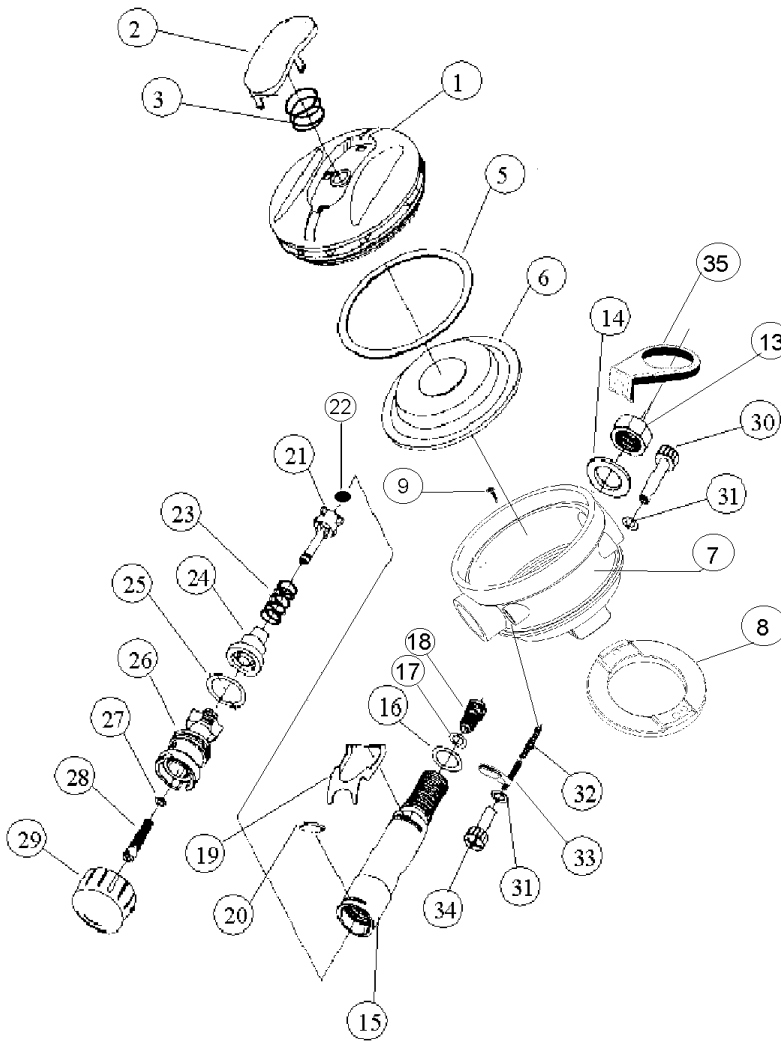
DESCRIPTION	CODE	KEY
BLACK COVER	005545	1
PRESSURE GAUGE HP (METERS)+HP HOST	005607	2
PRESSURE GAUGE HP (PSI)+HP HOST	005608	2
HP HOSE	005548	3

## CONSOLE COMBO

Description	Code
Medium ring	005508
Ring for scanner	019542
Round plug	005611
Rectangular plug	005612
Depth gauge (meters)	005601
Depth gauge (feet)	005602
Pressure gauge (meters) w/host	005605
Pressure gauge (PSI) w/host	005606
Small ring	005700
Large ring	005509
Wired round plug	005613

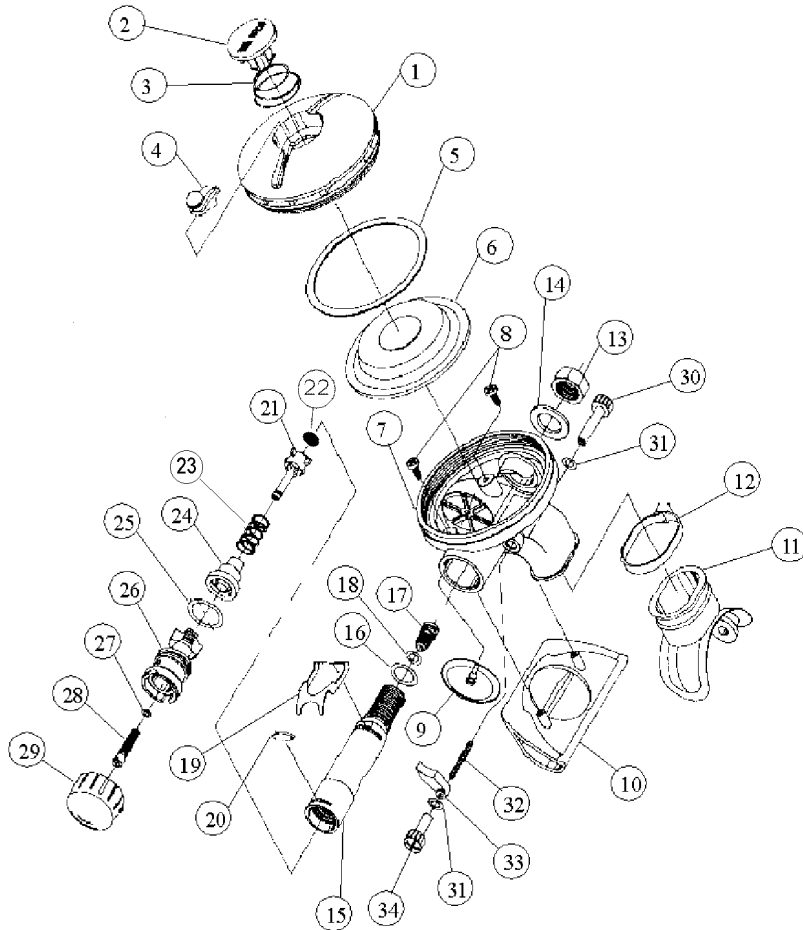


# NIRA (Neptune Integrated Regulator Adapter)



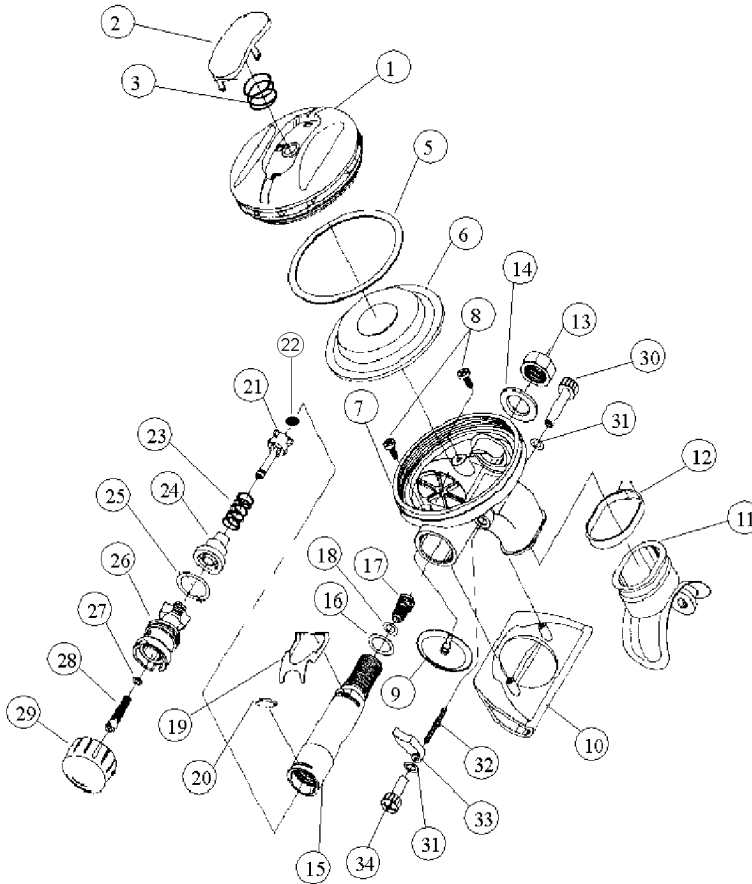
DESCRIPTION	CODE	KEY	DESCRIPTION	CODE	KEY
COVER OVAL BLACK	17918	1	POPPET	15252	21
OVAL BUTTON BLACK	19920	2	SEAT POPPET	8865	22
SPRING OVAL BUTTON	15479	3	ASPIRATION KNOB RIGHT	16407	30
INHALATION DIAPHR. RING	15451	5	O-RING 2021	16453	31
INHAL. DIAPHR. W/PUCK	15254	6	NIRA STUD ASPIRATION	16411	32
NIRA HOUSING	8808	7	NIRA TAB ASPIRATION	16410	33
NIRA LOCK RING	8910	8	ASPIRATION KNOB LEFT	16406	34
SCREW M2X6	8764	9	FRONT COVER LOCK	8812	35
HEX NUT	15433	13	THICKNESS RING	15452	
BODY WASHER	15257	14	OWNER'S MANUAL	6906	
VALVE BODY	15532	15	800 mm STD HOSE	9950	
O-RING 114	9420	16	HOSE PROTECTOR	9311	
O-RING 2025	9673	17			
NOZZLE	9672	18			
DEMAND LEVER	15448	19	<b>Ann.Mant.Kit (Dynamic -NIRA)</b>	<b>9875</b>	
WEDGE	15447	20	POPPET	15252	21
SPRING	15441	23	SEAT POPPET	8865	22
POPPET CHAMBER	15443	24	O-RING 114	9420	16
O-RING 2068	15446	25	O-RING 2025	9673	17
ADJUSTMENT SCREW	16456	26	O-RING 2068	15446	25
O-RING 0.128 X 0.05	15753	27	O-RING 0,128 X 0,05	15753	27
TRIM SCREW	15750	28	O-RING 2021	16453	31
ADJUSTMENT KNOB	15445	29			

## II STAGE 6600 AL ADJUSTABLE



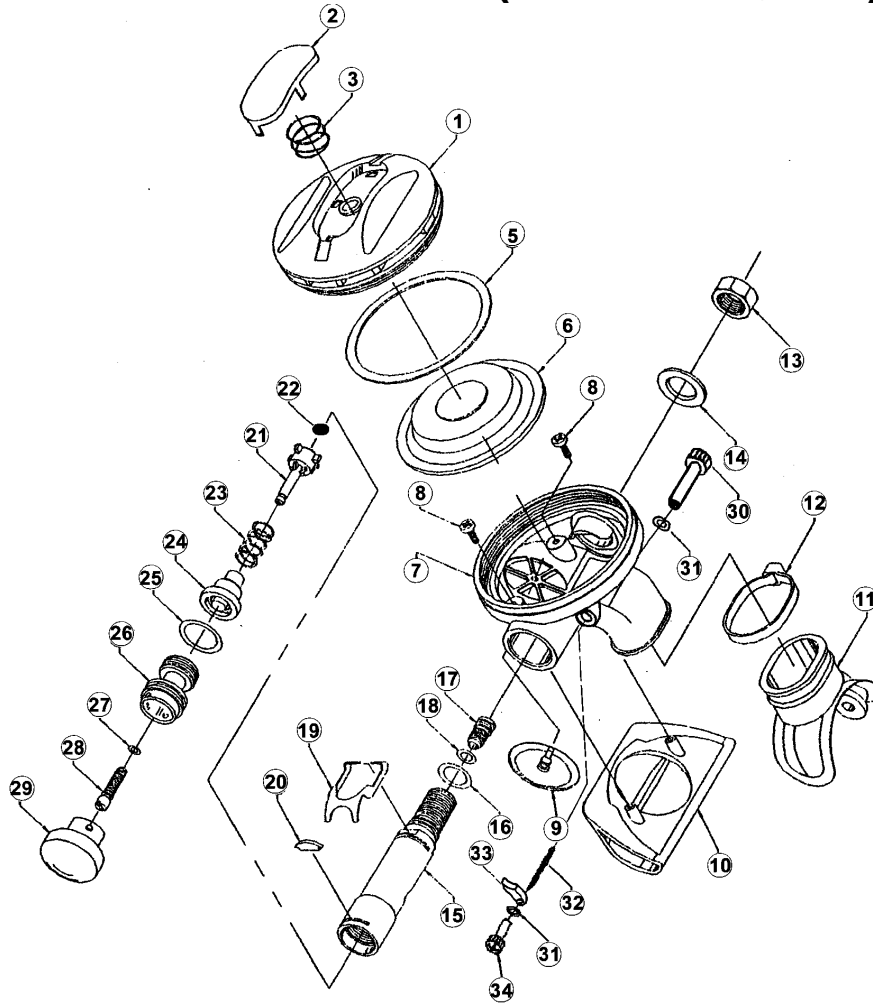
DESCRIPTION	CODE	KEY	DESCRIPTION	CODE	KEY
COVER ROUND	15423	1	POPPET	15252	21
ROUND BLUE BUTTON	15425	2	POPPET CHAMBER	15443	24
SPRING ROUND BUTTON	15426	3	SEAT POPPET	8865	22
LOCK BUTTON	15588	4	ADJUSTMENT SCREW	16456	26
INHALATION DIAPHR. RING	15451	5	TRIM SCREW	15750	28
INHAL. DIAPHR. W/PUCK	15254	6	ADJUSTMENT KNOB	15445	29
HOUSING	16454	7	ASPIRATION KNOB RIGHT	16407	30
PLASTITE SCREW	15431	8	STUD ASPIRATION	16409	32
EXHAUST VALVE	8811	9	TAB ASPIRATION	16408	33
EXHAUST COVER	15530	10	ASPIRATION KNOB LEFT	16406	34
MOUTHPIECE	10058	11	800 mm STD HOSE	9950	
CABLE TIE	9560	12	HOSE PROTECTOR	9311	
HEX NUT	15433	13	<b>Ann.Mann.Kit (Dynamic-NIRA)</b>	<b>9875</b>	
BODY WASHER	15257	14	POPPET	15252	21
VALVE BODY	15532	15	SEAT POPPET	8865	22
NOZZLE	9672	17	O-RING 114	9420	16
DEMAND LEVER	15448	19	O-RING 2025	9673	8
WEDGE	15447	20	o-RING 2068	15446	25
SPRING	15441	23	o-RING 0,128 X 0,05	15753	27
			O-RING 2021	16453	31

## II STAGE DYNAMIC ADJ –(former 6600A or 6700A)



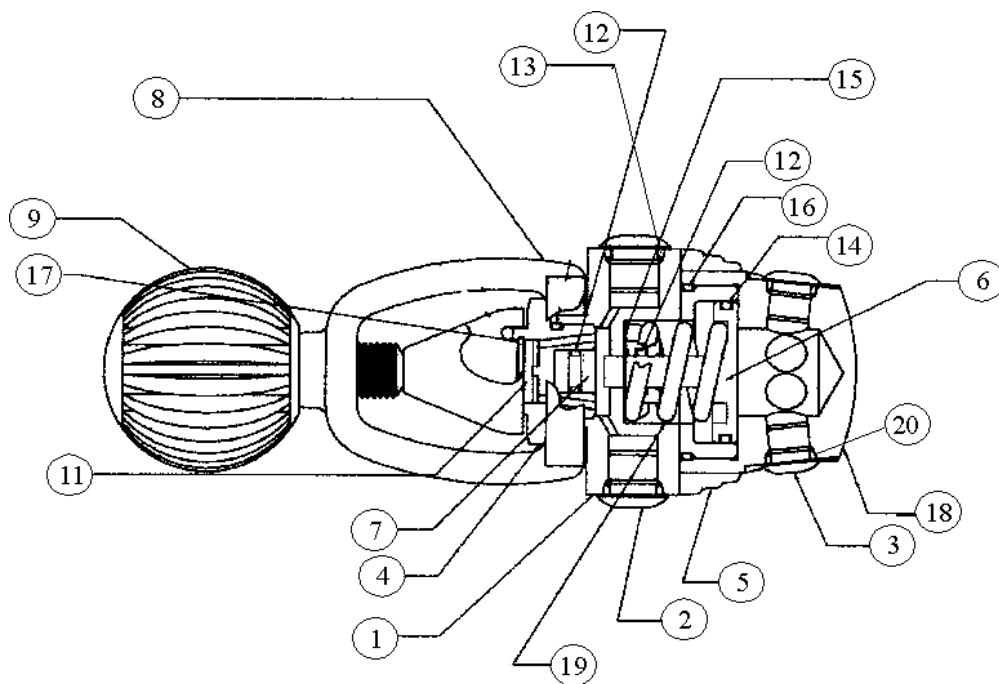
DESCRIPTION	CODE	KEY	DESCRIPTION	CODE	KEY
COVER OVAL BLACK	15918	1	ADJUSTMENT SCREW	16456	26
OVAL BUTTON BLACK	19920	2	TRIM SCREW	15750	28
SPRING OVAL BUTTON	15479	3	ADJUSTMENT KNOB	15445	29
INHALATION DIAPHR. RING	15451	5	ASPIRATION KNOB RIGHT	16407	30
INHAL. DIAPHR. W/PUCK	15254	6	STUD ASPIRATION	16409	32
HOUSING	16454	7	TAB ASPIRATION	16408	33
PLASTITE SCREW	15431	8	ASPIRATION KNOB LEFT	16406	34
EXHAUST VALVE	8811	9	800 mm STD HOSE	9950	
EXHAUST COVER	15530	10	HOSE PROTECTOR	9311	
MOUTHPIECE	10058	11			
CABLE TIE	9560	12	<b>Ann. mant. kit (Dynamic-NIRA-OE)</b>	<b>9875</b>	
HEX NUT	15433	13	POPPET	15252	21
BODY WASHER	15257	14	SEAT POPPET	8865	22
VALVE BODY	15532	15	O-RING 114	9420	16
NOZZLE	9672	17	O-RING 2025	9673	18
DEMAND LEVER	15448	19	O-RING 2068	15446	25
WEDGE	15447	20	O-RING 0.128 X 0.05	15753	27
SPRING POPPET	15441	23	O-RING 2021	16453	31
POPPET CHAMBER	15443	24			

# OCTOPUS DYNAMIC (former Ocean Edge n/adj)



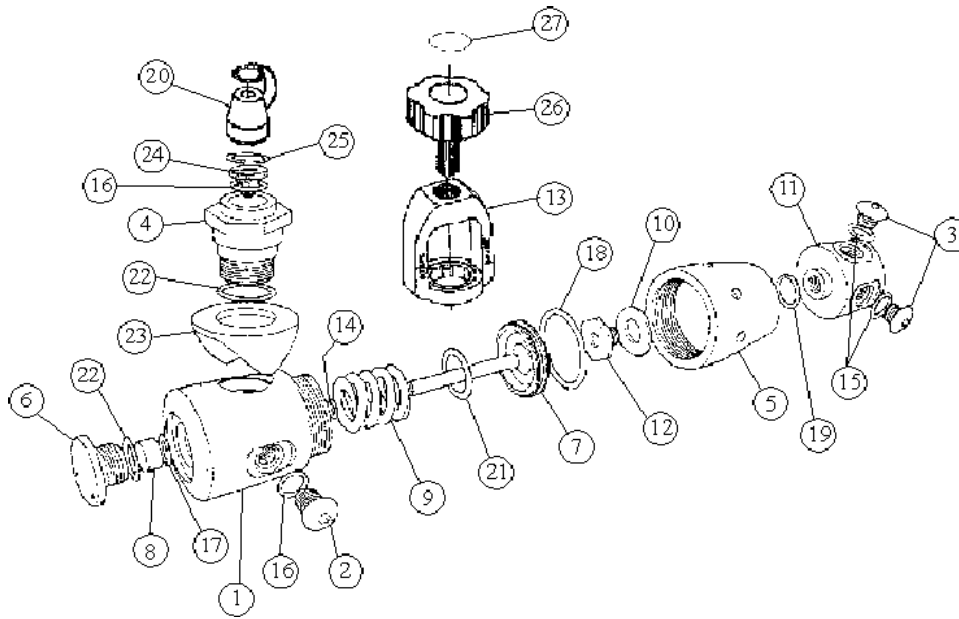
DESCRIPTION	CODE	KEY	DESCRIPTION	CODE	KEY
COVER OVAL LIME	16918	1	POPPET CHAMBRE	15443	24
OVAL BUTTON BLACK	19920	2	SCREW BODY	15904	26
SPRING OVAL BUTTON	15479	3	TRIM SCREW	15750	28
INHALATION DIAPHR. RING	15451	5	SCREW CAP	15905	29
INHAL. DIAPHR. W/PUCK	15254	6	ASPIRATION KNOB RIGHT	16407	30
HOUSING	16454	7	STUD ASPIRATION	16409	32
PLASTITE SCREW	15431	8	TAB ASPIRATION	16408	33
EXHAUST VALVE	8811	9	ASPIRATION KNOB LEFT	16406	34
EXHAUST COVER LIME	16530	10	900 mm STD HOSE	9951	
MOUTHPIECE	10058	11	HOSE PROTECTOR	9311	
CABLE TIE	9560	12	<b>Ann.Mant.Kit (Dynamic/NIRA/OE)</b>	<b>9875</b>	
HEX NUT	15433	13	O-RING 114	9420	16
BODY WASHER	15257	14	O-RING 2025	9673	18
VALVE BODY	15532	15	POPPET	15252	21
NOZZLE	9672	17	SEAT POPPET	8865	22
DEMAND LEVER	15448	19	O-RING 2068	15446	25
WEDGE	15447	20	O-RING 0.128 X 0.05	15753	27
SPRING POPPET	15441	23	O-RING 2021	16453	31

# I STAGE 6700



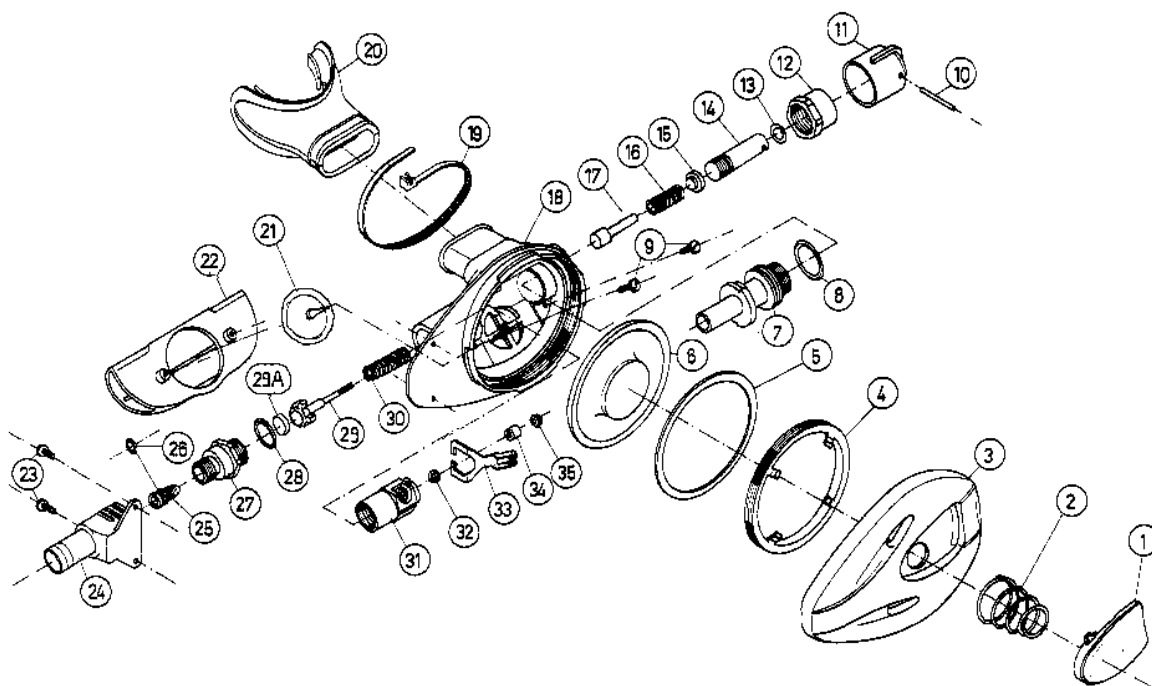
DESCRIPTION	CODE	KEY
1ST STAGE BODY	015238	1
HP PORT PLUG	012550	2
LP PORT PLUG	012144	3
YOKE RETAINER	015237	4
TRANSITION RING	015243	5
PISTON	015131	6
HP SEAT	015242	7
YOKE	009637	8
YOKE SCREW	009600	9
FLAT FILTER	012142	11
O-RING 2025	009673	12
O-RING 108	009405	13
O-RING 2100	009642	14
SPRING RING ADAPTER	012313	15
O-RING 2131	009695	16
RETAINING RING FILTER	012832	17
CAP	015822	18
SPRING	012133	19
O-RING 2031	009409	20

# I STAGE 6600



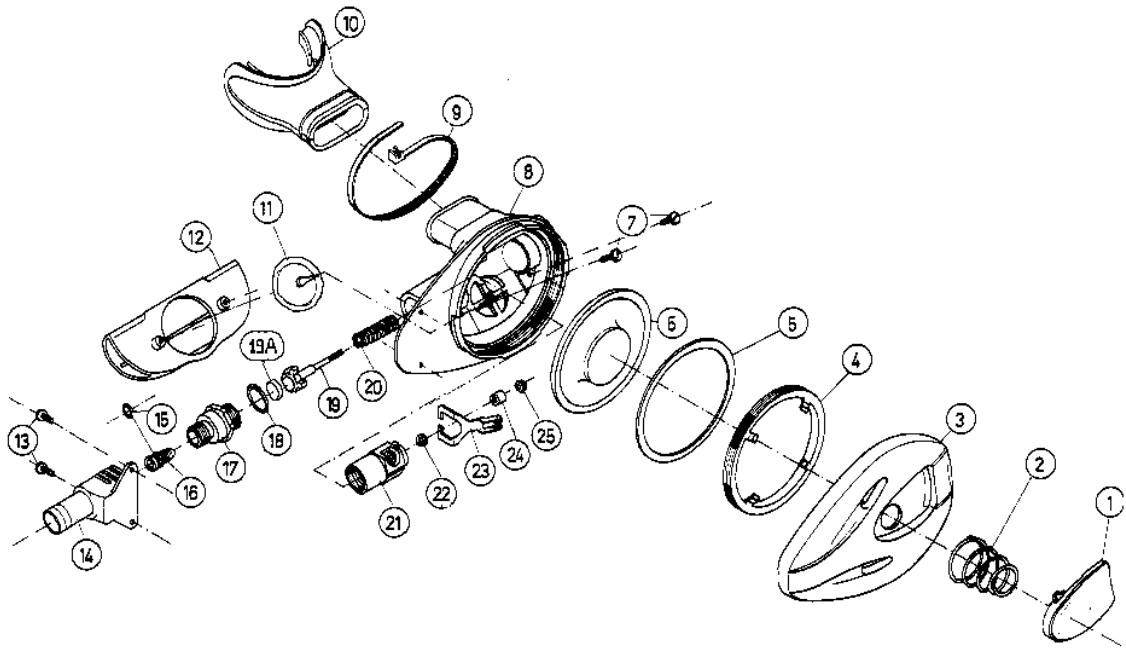
DESCRIPTION	CODE	KEY	DESCRIPTION	CODE	KEY
1ST STAGE BODY	12130	1	YOKE SCREW	9600	26
HP PORT PLUG	12550	2	OCEAN REEF STICKER	9100	27
LP PORT PLUG	12144	3	<b>1st stage 6600 Ann. Maint. Kit</b>	<b>9876</b>	
YOKE RETAINER	12141	4	HP SEAT	12131	8
CAP	12135	5	SWIVEL WASHER	12136	10
SEAT RETAINER	12132	6	O-RING 2025	9673	14
PISTON	12134	7	O-RING 2031	9409	15
SPRING	12133	9	O-RING 108	9405	16
SWIVEL	12137	11	O-RING 114	9420	17
SWIVEL RETAINER	12138	12	O-RING 2100	9642	18
YOKE	9637	13	O-RING 2037	7831	19
INLET CAP	9402	20	O-RING 2056	9411	22
PISTON SHIM	12313	21	CONICAL FILTER	12831	24
SADDLE	12587	23	RETAINING RING FILTER	12832	25

## II STAGE ENTERPRISE ADJUSTABLE



DESCRIPTION	CODE	KEY	DESCRIPTION	CODE	KEY
PURGE BUTTON	8805	1	EXHAUST COVER	8806	22
SPRING, PURGE BUTTON	8819	2	SCREW M2*10, HOSE SHROUD	8763	23
COVER TR-94	8885	3	HOSE SHROUD	8830	24
COVER RING	8816	4	NOZZLE	9672	25
WASHER, DIAPHRAGM	8832	5	HOUSING, NOZZLE	9670	27
DIAPHRAGM	29878	6	POPPET ASSEMBLY	9677	29
HOUSING, ADJUSTMENT	8826	7	SPRING, POPPET	8833	30
SCREW M2*6, EXH. COVER	8764	9	HOUSING, POPPET	9678	31
RETAINING PIN, ADJ. KNOB	8831	10	WASHER, DEMAND LEVER	9669	32
ADJUSTMENT KNOB	8858	11	DEMAND LEVER	9668	33
NUT, ADJUSTMENT KNOB	8828	12	SPACER, DEMAND LEVER	9667	34
TRIM SCREW	8824	14	NUT, DEMAND LEVER	9666	35
SPRING GUIDE, ADJUSTMENT	8823	15	800 mm STD HOSE	9950	
SPRING, ADJUSTMENT	8822	16	<b>2nd stage Enterprise adj. Ann. Maint. Kit</b>	<b>9874</b>	
PISTON, ADJUSTMENT	8821	17	O-RING 2056	9411	8
BODY, 2ND STAGE	8804	18	O-RING 2025	9673	13,26
CABLE TIE	9560	19	O-RING 12,5*2	9671	28
MOUTHPIECE	10058	20	SEAT, POPPET	8865	29 a
EXHAUST, DIAPHRAGM	8811	21			

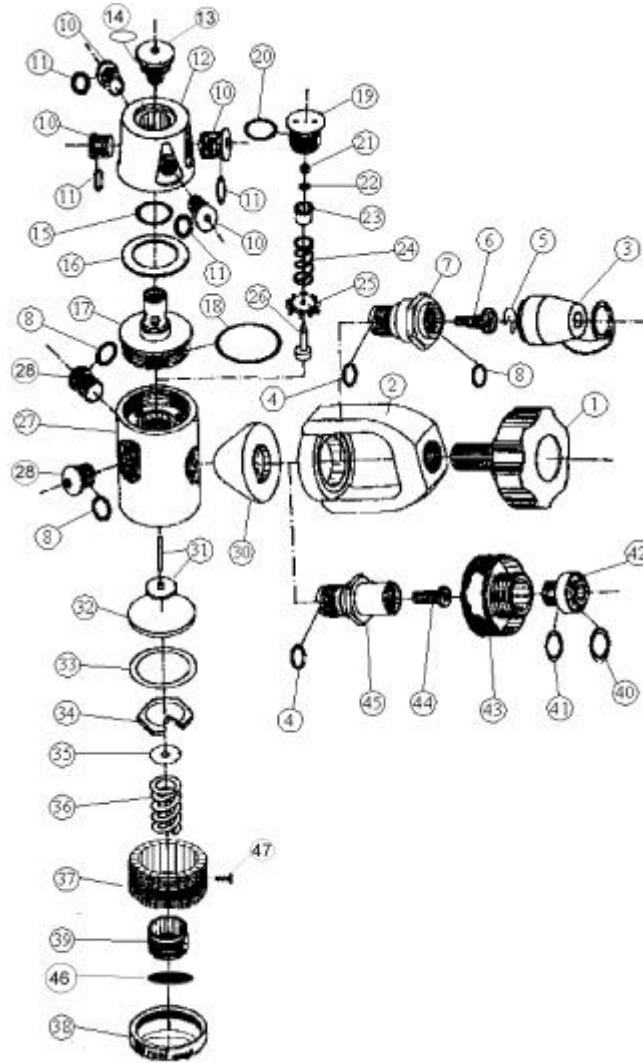
# OCTOPUS ENTERPRISE NON ADJUSTABLE



DESCRIPTION	CODE	KEY	DESCRIPTION	CODE	KEY
PURGE BUTTON	8805	1	NOZZLE	9672	16
SPRING, PURGE BUTTON	8819	2	HOUSING, NOZZLE	9670	17
COVER, OCTOPUS	8883	3	POPPET ASSEMBLY	9677	19
COVER, BTR-94	8886	3	SPRING, POPPET	9679	20
COVER RING	8816	4	HOUSING, POPPET	9678	21
WASHER, DIAPHRAGM	8832	5	WASHER, DEMAND LEVER	9669	22
DIAPHRAGM	29878	6	DEMAND LEVER	9668	23
SCREW M2*6, EXH. COVER	8764	7	SPACER, DEMAND LEVER	9667	24
BODY, 2ND STAGE	8842	8	NUT, DEMAND LEVER	9666	25
CABLE TIE	9560	9	800 mm STD HOSE	9950	
MOUTHPIECE	10058	10	900 mm STD HOSE	9951	
EXHAUST DIAPHRAGM	8811	11	<b>2nd stage Enterprise non adj. Ann. Maint. I</b>	<b>9873</b>	
EXHAUST COVER	8806	12	O-RING 2025	9673	15
SCREW M2*10, HOSE SHROUD	8763	13	O-RING 12,5*2	9671	18
HOSE SHROUD	8830	14	SEAT, POPPET	8865	19 A

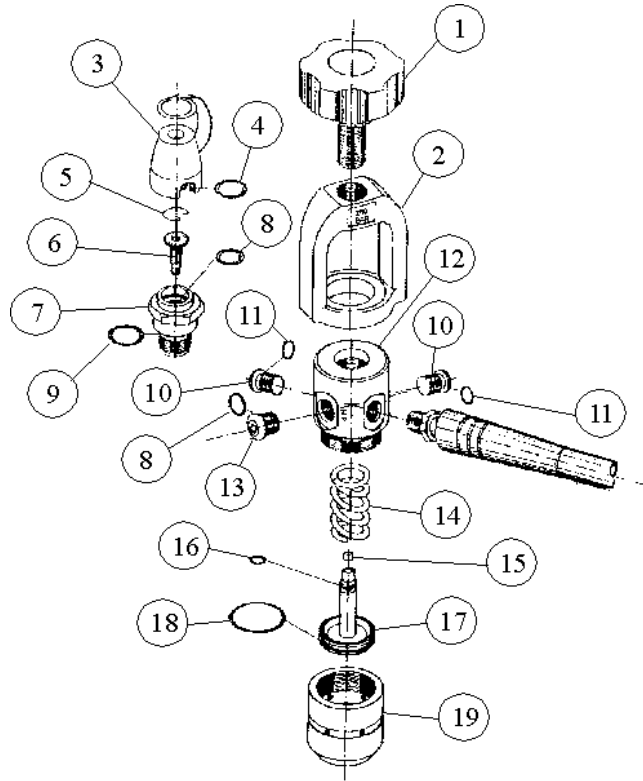


# I STAGE TR-94 POLAR



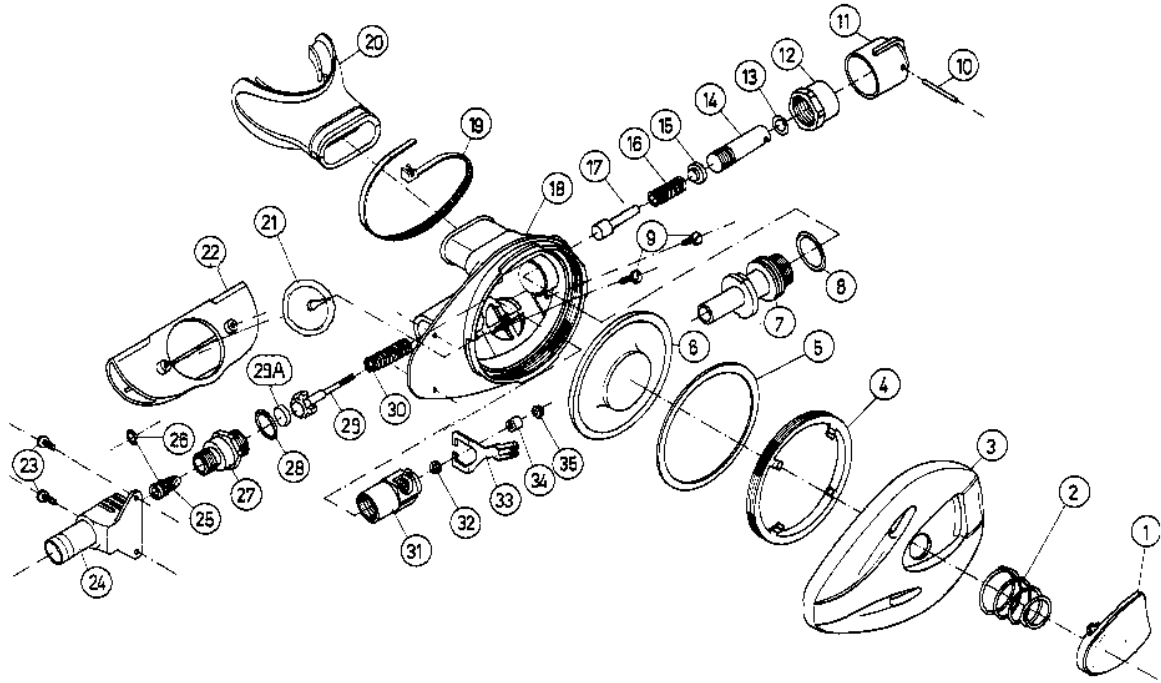
DESCRIPTION	CODE	KEY	DESCRIPTION	CODE	KEY
SCREW, YOKE	9600	1	PIN, POPPET	9634	31
YOKE	9637	2	BASE, SPRING	9632	34
CAP, DUST	9402	3	WASHER, SPRING BASE	9633	35
O-RING 2037	7831	4	SPRING, DIAPHRAM	9630	36
RETAINING RING, FILTER	9404	5	ANTIFREEZE CHAMBER	9627	37
FILTER, SINTERED	9403	6	ANTIFREEZE CAP	9628	38
RETAINER, YOKE	9647	7	NUT, ADJUSTMENT	9640	39
O-RING 108	9405	8	SCREW + WASHER	9629	47
PLUG, L.P. PORT	12144	10	ANTIFREEZE MEMBRANE	9636	46
O-RING 2031	9409	11	<b>INT-DIN CONVERSION</b>	<b>9860</b>	
BODY, SWIVEL	9690	12	O-RING 115		40
RETAINING NUT, SWIVEL	9691	13	O-RING 114		41
O-RING 2050	9407	14	RETAINING, SCREW DIN		42
O-RING 2062	9692	15	DIN CONNECTOR		43
WASHER, SWIVEL	9693	16	SINTERED FILTER, DIN		44
SWIVEL, BASE	9694	17	DIN RETAINER		45
O-RING 2131	9695	18	O-RING 2037		4
CHAMBER, BALANCING	9696	19	<b>1st stage TR94 Annual Maint. Kit</b>	<b>9801</b>	
O-RING 2056	9411	20	RING, BACK-UP	9621	21
CAP, SPRING, POPPET ASS.	9635	23	O-RING 2012	9620	22
SPRING, POPPET	9631	24	VALVE GUIDE	9648	25
PLUG, H.P. PORT	12550	28	POPPET	9622	26
SADDLE	9698	30	DIAPHRAGM, HP	9623	32
MAIN BODY	9697	27	WASHER, DIAPHRAGM	9624	33

# I STAGE 6010



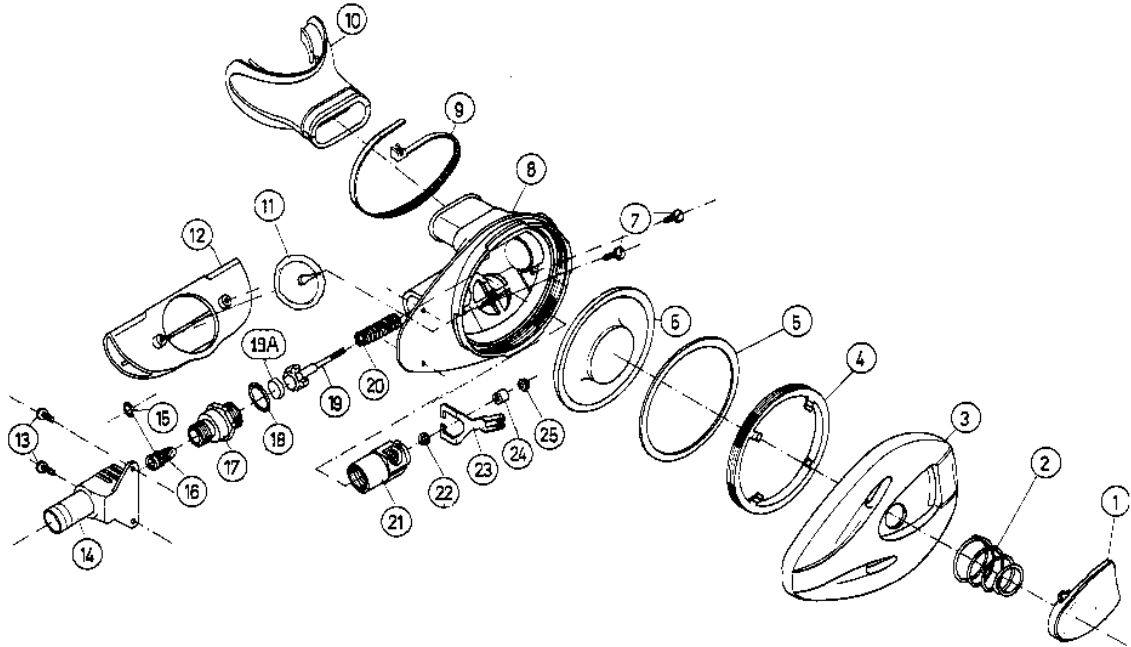
DESCRIPTION	CODE	KEY	DESCRIPTION	CODE	KEY
Screw Yoke	9600	1	Piston	9644	17
Yoke	9637	2	Cap, regulator body	9645	19
Cap, dust	9402	3	<b>1st stage 6010 Annual Maint. Kit</b>	<b>9872</b>	
Retaining ring, filter	9404	5	O-Ring 108	9405	8
Filter, sintered	9403	6	O-Ring 2056	9411	9
Retainer yoke	9638	7	O-Ring 2031	9409	11
Plug LP port	12144	10	O-Ring 2018	9641	16
Body, first stage	9627	12	O-Ring 2100	9642	18
Plug HP port	12550	13	Seat, HP	9643	15
Spring, piston	9646	14	Retaining ring, filter	9404	5
			Filter, sintered	9403	6

## II STAGE ENTERPRISE NITROX



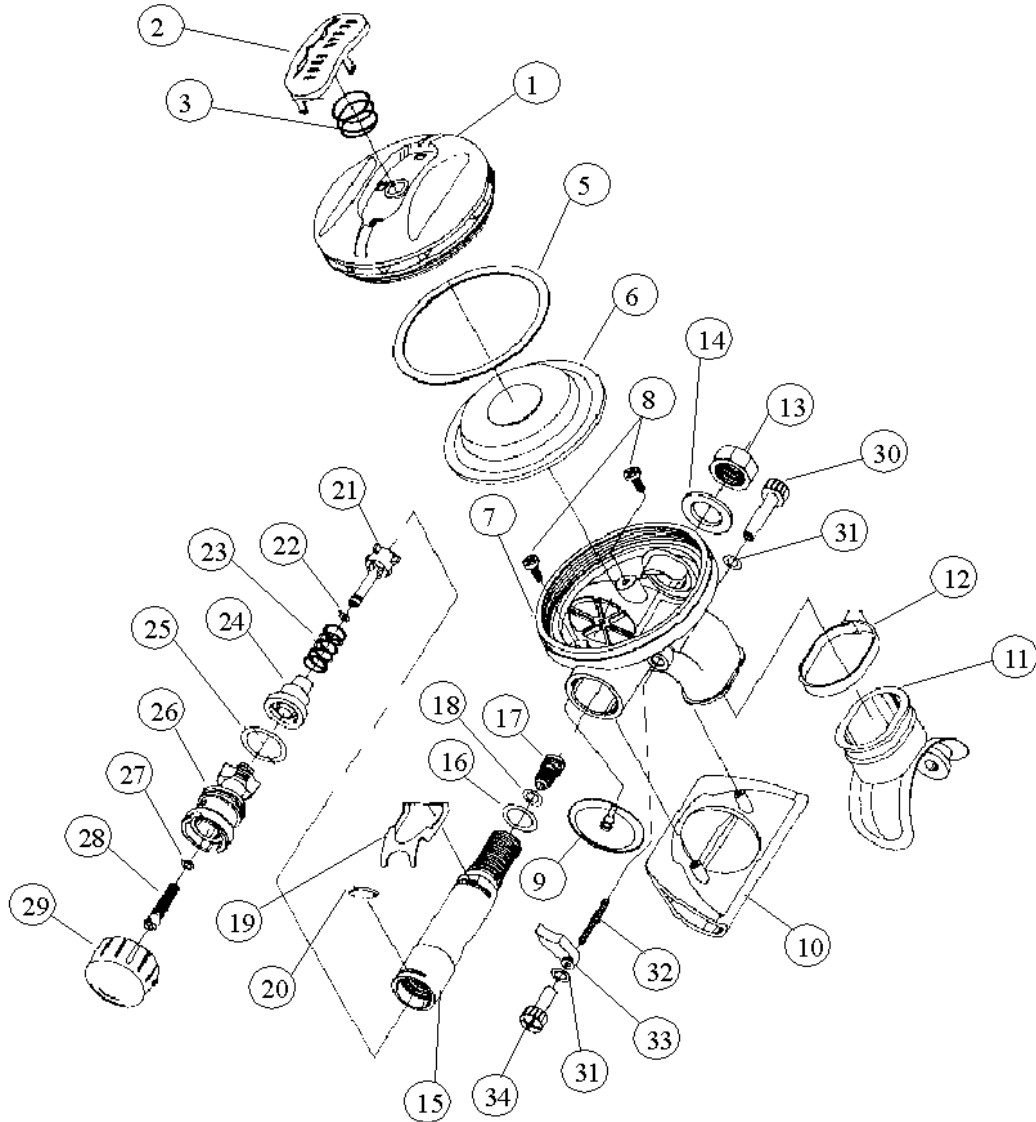
DESCRIPTION	CODE	KEY	DESCRIPTION	CODE	KEY
PURGE BUTTON	8805	1	ADJUSTMENT KNOB	8825	11
SPRING PURGE BUTTON	8819	2	NUT ADJUSTMENT KNOB	8828	12
COVER NITROX	8890	3	TRIM SCREW	8824	14
MOTHPIECE	10058	20	SPRING GUIDE ADJ.	8823	15
CABLE TIE	9560	19	SPRING ADJUSTMENT	8822	16
DIAPHRAGM	29878	6	PISTON ADJUSTMENT	8821	17
WASHER DIAPHRAGM	8832	5	HOUSING ADJUSTMENT	8826	7
COVER RING	8816	4	EXHAUST DIAPHRAGM	8811	21
NUT DEMAND LEVER	9666	35	EXHAUST COVER BLACK	8806	22
SPACER DEMAND LEVER	9667	34	SCREW M2X6 EXH. COVER	8764	9
DEMAND LEVER	9668	33	SCREW M2 X 10 HOSE	8763	23
WASHER DEMAND LEVER	9669	32	POPPET	9677	29
HOUSING NOZZLE	9670	27	HOUSING POPPET	9678	31
O-RING 12.5 X 2 VITON	9681	28	SPRING POPPET	8833	30
NOZZLE	9672	25	BODY 2ND STAGE	8804	18
O-RING 2025 VITON	9683	13-26	SHROUD 800 mm	9950	
O-RING 2056 VITON	9421	8	HOSE SHROUD	8830	24
RETAINING PIN ADJ. KNOB	8831	10	SEAT POPPET	8865	29 a
ADJUSTMENT KNOB	8858	11	INSERT M2 CO3.5	8765	

# OCTOPUS ENTERPRISE NITROX



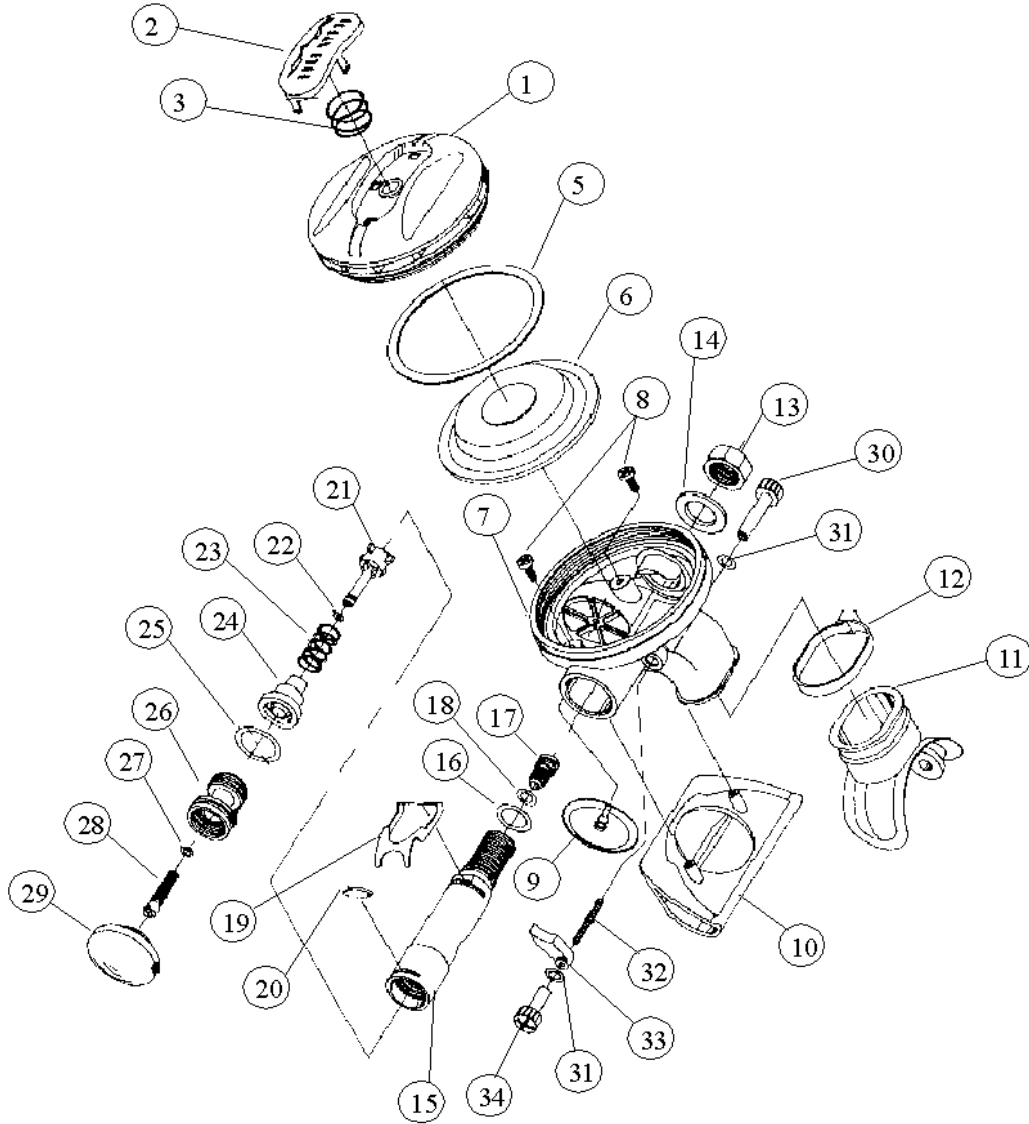
DESCRIPTION	CODE	KEY	DESCRIPTION	CODE	KEY
PURGE BUTTON	8805	1	O-RING 2025 VITON	9683	15
SPRING PURGE BUTTON	8819	2	EXHAUST DIAPHRAGM	8811	11
COVER OCTOPUS NITROX	8890	3	EXHAUST COVER BLACK	8806	12
MOTHPIECE	10058	10	SCREW M2X6 EXH. COVER	8764	7
CABLE TIE	9560	9	SCREW M2 X 10 HOSE	8763	13
DIAPHRAGM	29878	6	POPPET	9677	19
WASHER DIAPHRAGM	8832	5	HOUSING POPPET	9678	21
COVER RING	8816	4	SPRING POPPET	9679	20
NUT DEMAND LEVER	9666	25	BODY 2ND STAGE	8804	8
SPACER DEMAND LEVER	9667	24	SHROUD 100 cm YELLOW	9951	
DEMAND LEVER	9668	23	HOSE SHROUD	8830	14
WASHER DEMAND LEVER	9669	22	SEAT POPPET	8865	19 A
HOUSING NOZZLE	9670	17	INSERTS M2 CO 3.5	8765	
O-RING 12.5 X 2 VITON	9681	18	DEFLECTOR	8840	
NOZZLE	9672	16	PLUG BODY	8864	

## II STAGE OCEAN EDGE NITROX



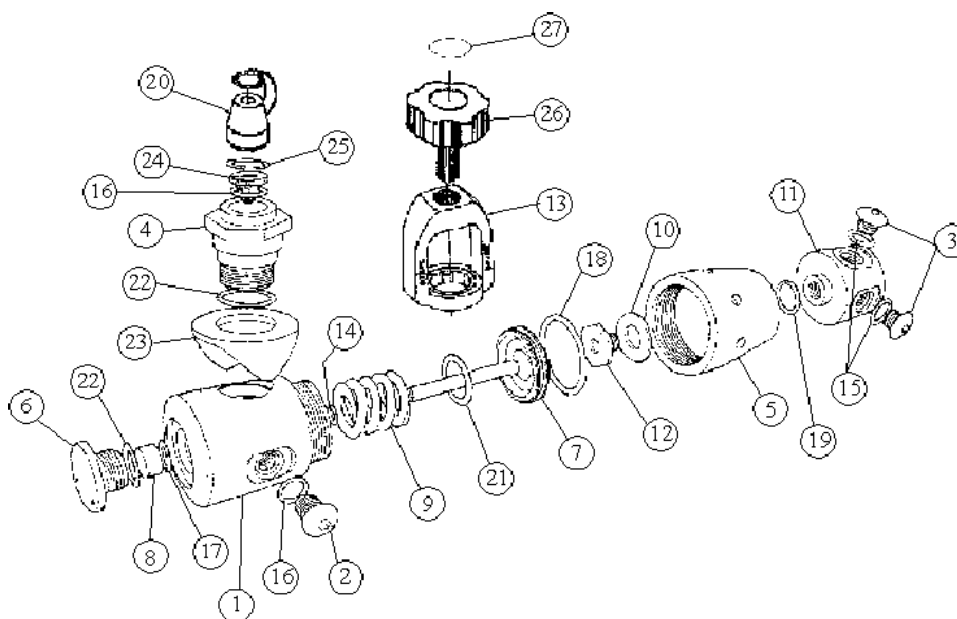
DESCRIPTION	CODE	KEY	DESCRIPTION	CODE	KEY
			O-RING 6.2 X 1.4 VITON	15437	18
COVER OVAL LIME NITROX	14918	1	DEMAND LEVER	15448	19
OVAL BUTTON BLACK	16919	2	WEDGE	15447	20
SPRING OVAL BUTTON	15479	3	POPPET	9677	21
INHALATION DIAPHR. RING	15451	5	O-RING 2.6 X 1 VITON	15449	22
INHAL. DIAPHR. W/PUCK	15254	6	SPRING POPPET	15440	23
HOUSING	16454	7	BALANCE PISTON	15443	24
PLASTITE SCREW	15431	8	O-RING 2068 VITON	15456	25
EXHAUST VALVE	8811	9	ADJUSTMENT SCREW	16456	26
EXHAUST COVER	15430	10	O-RING 0.128 X 0.05 VITON	15754	27
MOUTHPIECE	10058	11	TRIM SCREW	15750	28
CABLE TIE	9560	12	ADJUSTMENT KNOB	15445	29
HEX NUT	15433	13	ASPIRATION KNOB RIGHT	16407	30
BODY WASHER	15257	14	O-RING 2021 VITON	16553	31
VALVE BODY	15532	15	STUD ASPIRATION	16409	32
O-RING 114 VITON	9520	16	TAB ASPIRATION	16408	33
NOZZLE	9672	17	ASPIRATION KNOB LEFT	16406	34

# OCTOPUS OCEAN EDGE NITROX



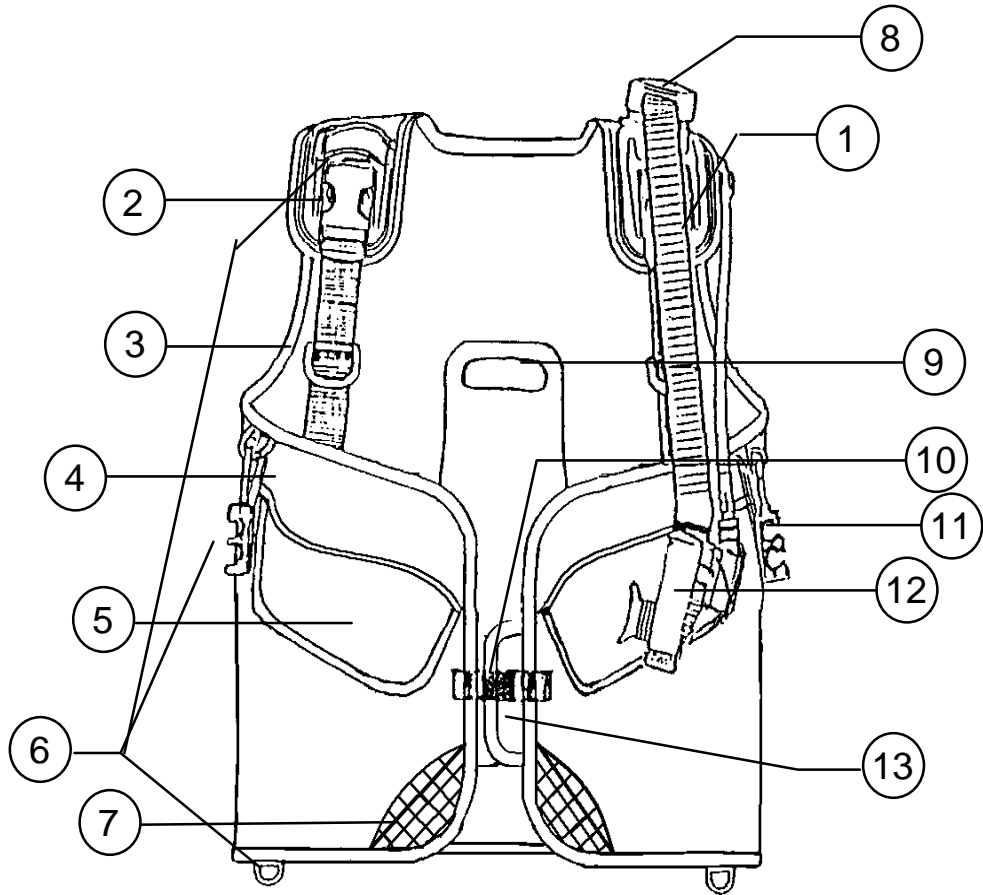
DESCRIPTION	CODE	KEY	DESCRIPTION	CODE	KEY
			O-RING 6.2 X 1.4 VITON	15437	18
COVER OVAL LIME NITROX	14918	1	DEMAND LEVER	15448	19
OVAL BUTTON BLACK	16919	2	WEDGE	15447	20
SPRING OVAL BUTTON	15479	3	POPPET	9677	21
INHALATION DIAPHR. RING	15451	5	O-RING 2.6 X 1 VITON	15449	22
INHAL. DIAPHR. W/PUCK	15254	6	SPRING POPPET	15440	23
HOUSING	16454	7	BALANCE PISTON	15443	24
PLASTITE SCREW	15431	8	O-RING 2068 VITON	15456	25
EXHAUST VALVE	8811	9	SCREW BODY	15904	26
EXHAUST COVER LIME	16430	10	O-RING 0.128 X 0.05 VITON	15754	27
MOUTHPIECE	10058	11	TRIM SCREW	15750	28
CABLE TIE	9560	12	SCREW CAP	15905	29
HEX NUT	15433	13	ASPIRATION KNOB RIGHT	16407	30
BODY WASHER	15257	14	O-RING 2021 VITON	16453	31
VALVE BODY	15532	15	STUD ASPIRATION	16409	32
O-RING 114 VITON	9520	16	TAB ASPIRATION	16408	33
NOZZLE	9672	17	ASPIRATION KNOB LEFT	16406	34

# I STAGE 6600 NITROX



DESCRIPTION	CODE	KEY	DESCRIPTION	CODE	KEY
1ST STAGE BODY	12130	1	O-RING 2031 VITON	9419	15
HP PORT PLUG	12550	2	O-RING 108 VITON	9415	16
LP PORT PLUG	12144	3	O-RING 114 VITON	9454	17
YOKE RETAINER	12141	4	O-RING 2100 VITON	9652	18
CAP	12135	5	O-RING 2037 VITON	7841	19
SEAT RETAINER	12132	6	INLET CAP	9402	20
PISTON	12134	7	PISTON SHIM	12313	21
HP SEAT	12131	8	O-RING 2056 VITON	9421	22
SPRING	12133	9	SADDLE NITROX	12597	23
SWIVEL WASHER	12136	10	CONICAL FILTER	12831	24
SWIVEL	12137	11	RETAINING RING FILTER	12832	25
SWIVEL RETAINER	12138	12	YOKE SCREW	9600	26
YOKE	9637	13	FLAG O. R.	9110	27
O-RING 2025 VITON	9683	14			

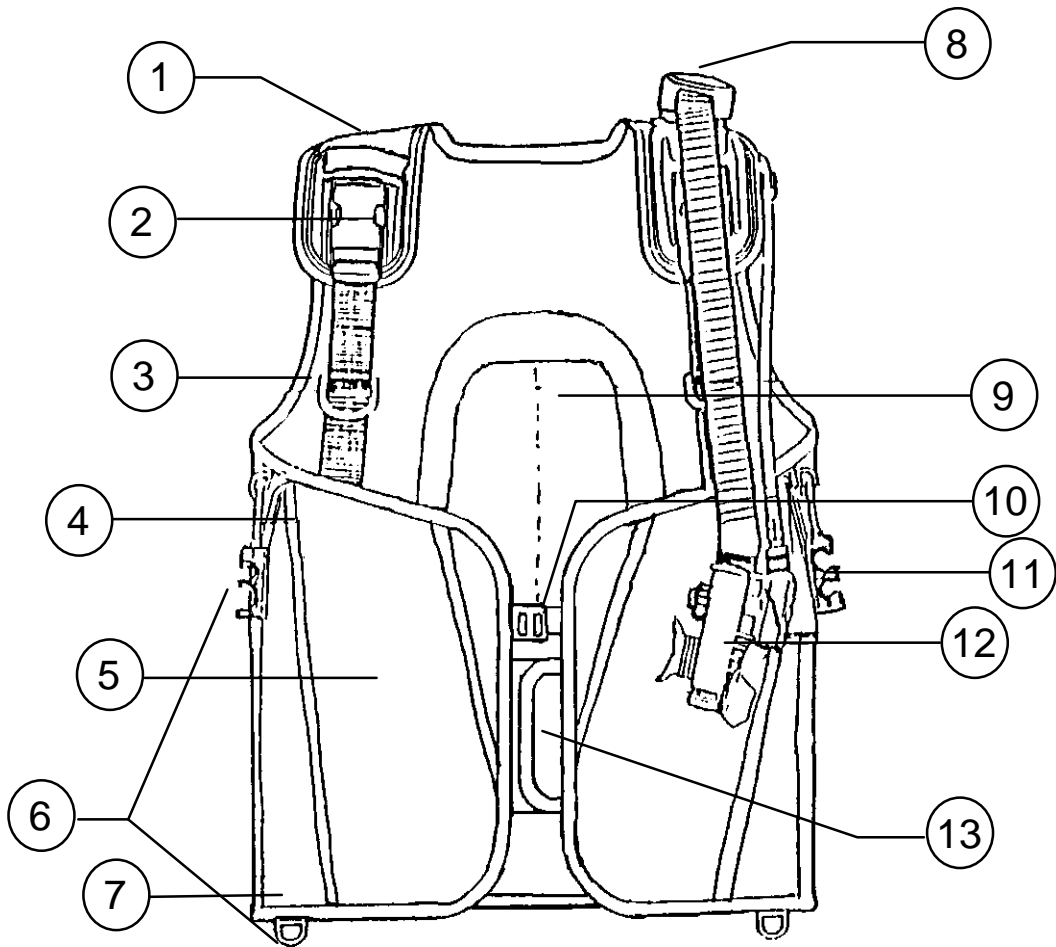
# TEK VEST 225



DESCRITPION	CODICE	KEY
BELT BUCKLE ASSEMBLY	009313	
NON SKIT RUBBER PAD	009316	
RELIEFE VALVE	009340	
POWER-ORAL INFLATOR ASS.	009359	12
WHISTLE	009314	
LP INFLATOR HOSE	009307	
HOSE CLIP	009293	11
RUBBER BACKUP PLATE	009326	
VELCRO FOR INFLATOR	009251	

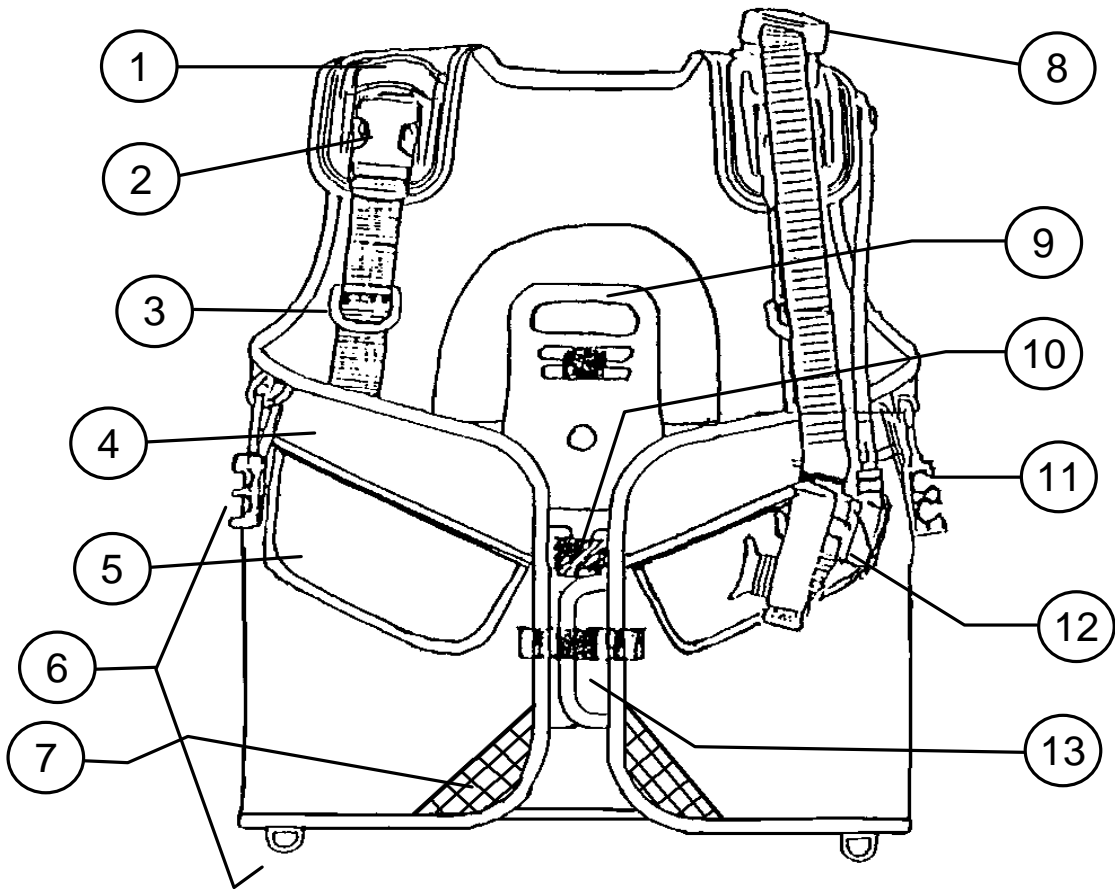


# LJS 93HT



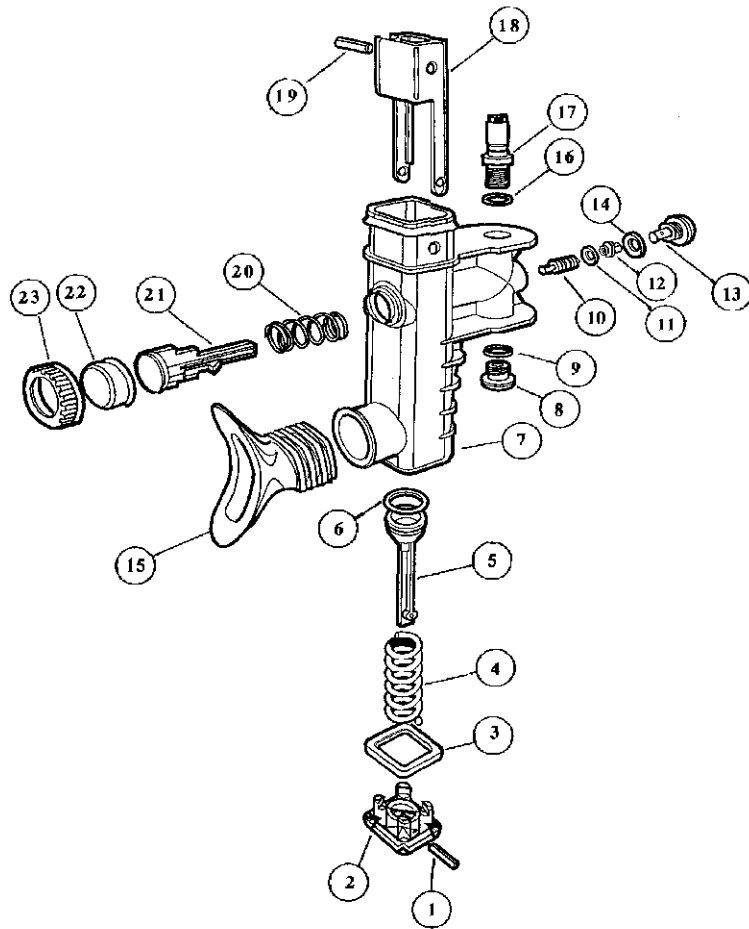
DESCRIPTION	CODE	KEY
L. P. INFLATOR HOSE	009307	
WHISTLE	009314	
POWER/ORAL, INFLATOR ASSEMBLY	009359	12
HOSE CLIP	009293	11

# LJS 5400HT



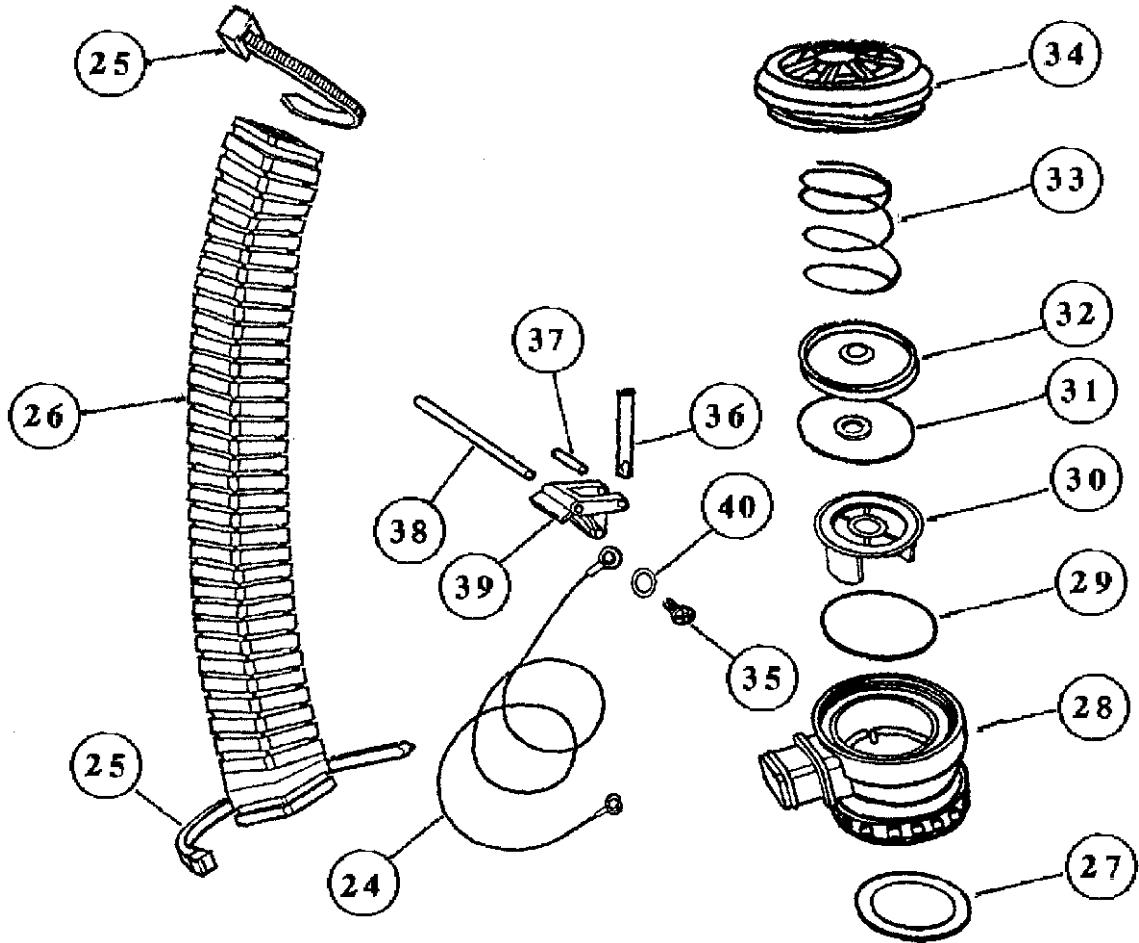
DESCRIPTION	CODE	KEY
L. P. INFLATOR HOSE	009307	
WHISTLE	009314	
POWER/ORAL, INFLATOR ASSEMBLY	009359	12
HOSE CLIP	009293	11
BELT BUCKLE ASSY	009313	

# INFLATOR'S VALVE



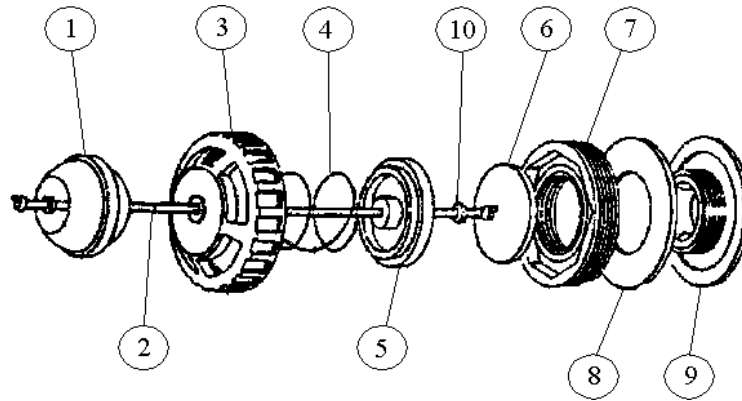
DESCRIPTION	CODE	KEY
PIN-ROLL, 3/32 DIA. X .5	007851	1
BUTTON-MANUAL INFLATE	007852	2
GASKET-BUTTON, ORAL INFLATE	007853	3
SPRING, ORAL INFLATOR	007854	4
ROD-POPPET, INFLATOR	007855	5
O-RING 2050	007856	6
HOUSING, INFLATOR, B.C.	007857	7
CAP, B.C. VALVE, PLASTIC 7/16"	007858	8
O-RING 108	009405	9-14
SHRAEDER VALVE, B.C. VALVE	007863	10
O-RING 2025	009673	11
VALVE HOUSING	007888	12
VALVE PLUG	007887	13
MOUTHPIECE	007868	15
O-RING 2031	009409	16
NIPPLE-LP HOSE	007860	17
INSERT -INFL HOUSING	007861	18
PIN .125 DIA. X .883	007862	19
SPRING B.C. VALVE	007864	20
PISTON B.C. VALVE	007865	21
BUTTON COVER	007866	22
FASTENING RING	007867	23

# INFLATOR'S EXHAUST VALVE



DESCRIPTION	CODE	KEY
AIRWAY CABLE ASSEMBLY	007885	24
CABLE TIE	007869	25
HOSE-EXHAUST, ORAL INFL.	007870	26
GUARNIZIONE PER INVOLUCRO LJS	009289	27
EXHAUST HOUSING SUBASSEMBLY	007891	28
O-RING 2175	007874	29
INSERT-EXHAUST VALVE	007875	30
ONE-WAY GASKET	007876	31
PLATE-SEAL, EXHAUST	007877	32
SPRING, EXHAUST	007889	33
EXHAUST COVER	007879	34
EXHAUST PIVOT SCREW	007880	35
EXHAUST ROD 24x4.8	007881	36
EXHAUST PIVOT PIN, SM 15x2.5	007882	37
EXHAUST PIVOT PIN, LG 30x2.4	007883	38
EXHAUST PIVOT	007884	39
PIVOT WASHER	007886	40

# OVERPRESSURE VALVE



DESCRIPTION	CODE	KEY
PULL KNOB	006730	1
CORD	006731	2
CAP	006739	3
SPRING	006732	4
VALVE RETAINER	006733	5
VALVE	006734	6
MANIFOLD	006735	7
DOUBLE GASKET	006736	8
RETAINER	006737	9
WASHER	006738	10

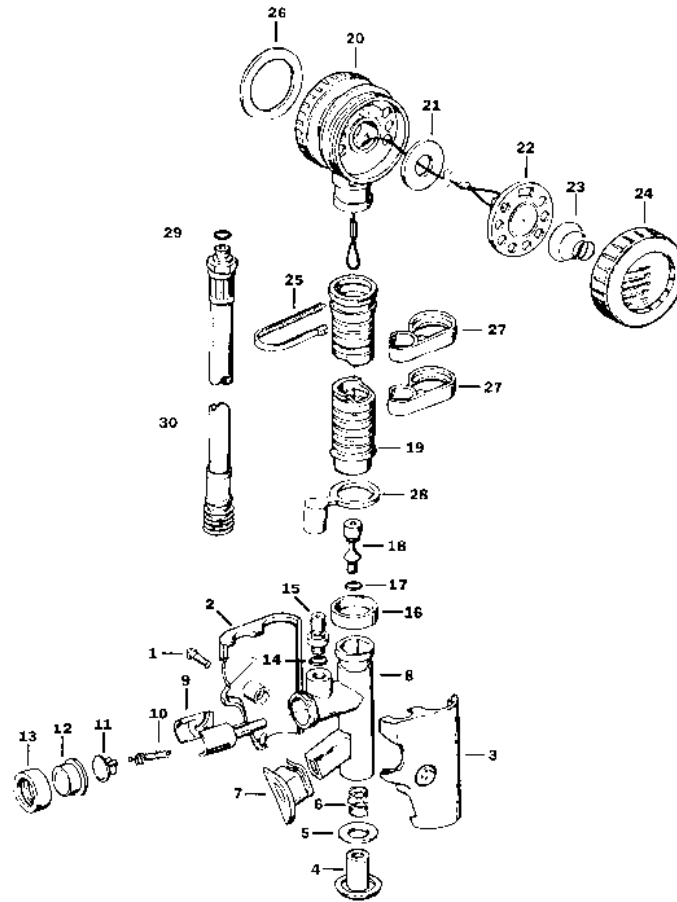
## OCEAN EDGE TOOL - OCEAN EDGE KNIFE

Description	Code
Strap holder	009202
Strap adjuster	007500
Button	008203
Spring for sheat	008195
Handle	008171
Tool blade	008174
Knife blade	008172
Knob	008182
Short strap	001301
Long strap	001300

## TEK KNIFE SILVER - BLUNT TIP - BLACK

Description	Code
Strap holder	009202
Strap adjuster	007500
Tek Knife Black blade	008177
Tek Knife Silver blade	008175
Tek Knife Blunt Tip blade	008185
Short strap	001301
Long strap	001300
Clip for sheat	008188
Pivot for sheat	008199
Spring for sheat	008180

## POWER INFLATOR 99 (Syntex & Tek 840)



DESCRIPTION	CODE	KEY	DESCRIPTION	CODE	KEY
SCREW		1	O-RING		17
SHELL		2&3	METAL PIN		18
ORAL BUTTON		4	HOSE		19
ORAL BUTTON WASHER		5	ELBOW ASSEMBLY		20
INFLATOR SPRING		6	ELBOW WASHER		21
MOUTHPIECE		7	CABLE ASSEMBLY		22
HOUSING		8	OVER-PRESSURE SPRING		23
INSERT		9	ELBOW CAP		24
SHROEDER VALVE		10	PANDUIT CLAMP		25
POWER BUTTON		11	MANIFOLD WASHER		26
BUTTON COVER		12	HOSE CLIP		27
POWER BUTTON RING		13	FITTING CAP		28
O-RING		14	O-RING		29
QUICK CONNECTION		15	LP HOSE		30
HOSE RING		16			

# **SERVICE MANUAL**

# **ENCLOSURES**



# NIRA SERVICE PROCEDURES:

## Tools Required:

- |                               |            |
|-------------------------------|------------|
| 1. 19mm spanner               | cod. 9782  |
| 2. 17mm spanner               | cod. 9783  |
| 3. Small screwdriver line     | cod. 9784  |
| 4. Screwdriver crosses        | cod. 9790  |
| 5. O'ring pick                | cod. 33407 |
| 6. NIRA nozzle tool           | cod. 33404 |
| 7. NIRA ad.tool w/pres. gauge | cod. 9754  |
| 8. Silicone grease            | cod. 33410 |

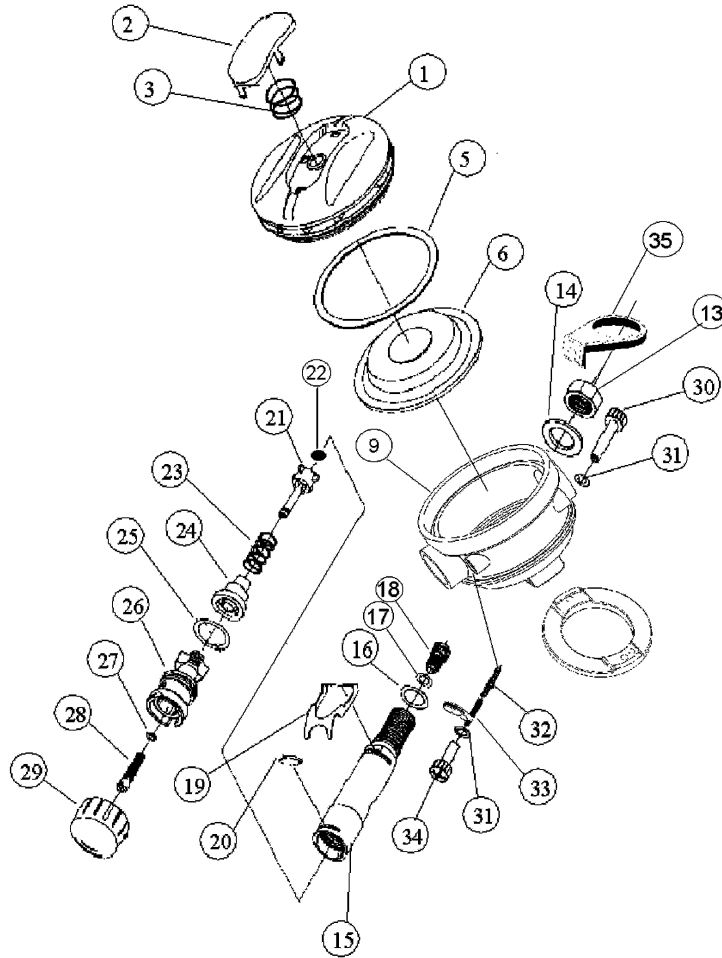
## DISASSEMBLY:

- Step 1** Remove intermediate pressure hose from the NIRA using two wrenches, 19MM Spanner & 17MM Spanner.
- Step 2** Remove **cover lock (35)**. Remove **Cover (1)** unscrewing it by hand from the Housing. Remove the **inhalation diaphragm washer (5)** and gently remove the **inhalation diaphragm (6)** if the diaphragm is stuck to the housing carefully peel back the outer edge to avoid tearing it.
- Step 3** If required remove the **purge button (2)** and the **purge spring (3)** by pressing the four tabs on the underside, inward.
- Step 4** Loosen the **hex nut (13)** with a crescent wrench and remove it along with the **valve body washer (14)**. Remove the valve body assembly from the housing, by sliding the **valve body (15)** out so the **lever (19)** is fully exposed. Remove the lever and slid the entire assembly out of the housing.
- Step 5** Remove the **adjustment screw (26)** from the **valve body (15)**. Remove the **wedge (20)** and unscrew the adjustment screw until it is free of the valve body. It may be necessary to turn the adj. screw clockwise to release and remove the wedge before unscrewing the adj. screw counter-clockwise.
- Step 6** Gently tapping on the open end of the valve body will cause the **poppet (21)**, **poppet chamber (24)**, and the **poppet spring (23)** to drop out. *NOTE: TO ASSURE BEST PERFORMANCE, THE POPPET SEAT SHOULD BE REPLACED WITH A NEW POPPET SEAT ANY TIME IT IS REMOVED FROM THE VALVE BODY.*
- Step 7** Unscrew the **nozzle (18)** with the flat blade screwdriver. Due to friction of the **O-ring (17)** the nozzle will tend to stay in the valve body. It may be carefully pushed out with the eraser end of a pencil or with the ¼" dowel. Care must be taken not to scratch or nick the end of the Cone shaped surface.

## INSPECTION, REASSEMBLY AND ADJUSTMENT:

- Step 1** Inspect all O-rings and sealing surfaces to ensure that they are clean and free of any debris. If necessary, clean with a mild acid solution (Vinegar and water). Replace any parts that appear worn especially O-rings. **Replacement of the poppet seat should be standard part of any servicing.** Lightly lubricate all O-rings with silicone grease and re-install. Inspect inhalation diaphragm for cuts or nicks. Inspect nozzle blade, replace nozzle o-ring.
- Step 2** Install the **nozzle (18)** with a flat blade screwdriver. To position the nozzle, continue screwing it in until the cone end reaches the far side of the slot in the valve body.
- Step 3** Assemble the **poppet (21)**; **poppet seat (22)**; **poppet spring (23)** and the **poppet chamber (24)**. Insert the entire assemble into the **valve body (15)**.
- Step 4** Assemble the **adjustment screw (26)** into the end of the **valve body (15)**.Screw into valve body until you can see slot then insert #20 wedge then unscrew till it lock
- Step 5** Slide the valve body assembly partially into the housing. Position the slot for the **lever (19)** up. Slip the ends of the lever into the slot, the lever should fall easily into place, if it does not, screw the nozzle further into the body. Push the valve body all the way into the housing, aligning the locking flats in the housing with the flats on the valve body. Add the washer and hand tighten the hex nut onto the threaded end of the valve body. With a crescent wrench, tighten the hex nut snugly (Approx. 30 inch pounds torque).
- Step 6** The position of the nozzle affects the operating position of the lever. To precisely position the nozzle, adjust the position of the nozzle until there is only about 1/32" free-play at the end of the lever.
- Step 7** Replace the **inhalation diaphragm (6)**, **Inhalation diaphragm washer (5)** and **cover assembly (1)**.
- Step 8** Screw the **Inline adjustment tool** onto the threaded end of the valve body. Hand screw a regulator with a second stage hose onto the tool.
- Step 9** For the final adjustment to the NIRA; connect the regulator to an air supply With the air pressure ON, back OUT the nozzle with the inline tool until the NIRA leaks air. Now screw the nozzle back IN until the leak stops. Operate the purge button a few times to confirm there is not a leak. If necessary, readjust the nozzle. (In the field or when no inline adjustment tool is available the same adjustment procedure may be made with the **trim screw (28)** by removing the elastomeric **adjustment knob (29)** and turning the trim screw OUT till the NIRA leaks air and then turn IN until the leak stops, operate the purge a few times to confirm there is not a leak, readjust the trim if necessary.) (*NOTE: THE ORIGINAL ADJUSTMENT FOR ACCEPTANCE AT THE FACTORY REQUIRES THAT The VALVE BEGINS TO FLOW WHEN THE PRESSURE AT THE MOUTHPIECE IS MINUS 1.3 + 0.2 - 0.1 INCH OF WATER.*) .
- Step 10** The aspiration control device may be removed by holding one **aspiration knob (30 or 34)** fixed and unscrewing the other aspiration knob free of the **stud (32)**. When free the knobs can be pulled out of the housing, the **tab (33)** will fall free and the stud will remain in one of the knobs.

# NIRA (Neptune Integrated Regulator Adapter)



DESCRIPTION	CODE	KEY	DESCRIPTION	CODE	KEY
COVER OVAL BLACK	17918	1	POPPET	15252	21
OVAL BUTTON BLACK	19920	2	SEAT POPPET	8865	22
SPRING OVAL BUTTON	15479	3	ASPIRATION KNOB RIGHT	16407	30
INHALATION DIAPHR. RING	15451	5	O-RING 2021	16453	31
INHAL. DIAPHR. W/PUCK	15254	6	NIRA STUD ASPIRATION	16411	32
NIRA HOUSING	8808	7	NIRA TAB ASPIRATION	16410	33
NIRA LOCK RING	8910	8	ASPIRATION KNOB LEFT	16406	34
SCREW M2X6	8764	9	FRONT COVER LOCK	8812	35
HEX NUT	15433	13	THICKNESS RING	15452	
BODY WASHER	15257	14	OWNER'S MANUAL	6906	
VALVE BODY	15532	15	800 mm STD HOSE	9950	
O-RING 114	9420	16	HOSE PROTECTOR	9311	
O-RING 2025	9673	17			
NOZZLE	9672	18			
DEMAND LEVER	15448	19	<b>Ann.Mant.Kit (Dynamic -NIRA)</b>	<b>9875</b>	
WEDGE	15447	20	POPPET	15252	21
SPRING	15441	23	SEAT POPPET	8865	22
POPPET CHAMBER	15443	24	O-RING 114	9420	16
O-RING 2068	15446	25	O-RING 2025	9673	17
ADJUSTMENT SCREW	16456	26	O-RING 2068	15446	25
O-RING 0.128 X 0.05	15753	27	O-RING 0,128 X 0,05	15753	27
TRIM SCREW	15750	28	O-RING 2021	16453	31
ADJUSTMENT KNOB	15445	29			

# TROUBLESHOOTING NIRA II

## **VISOR FOGS UP**

*IT'S A WARNING SIGNAL THAT MASK IS NOT POSITIONED CORRECTLY ON FACE!*

- |                                                                       |
|-----------------------------------------------------------------------|
| a) oralnasal mask not positioned correctly or pinched                 |
| b) oralnasal mask not seated properly in MI-1 breathing assembly      |
| c) top harness straps pulled to much – loosen                         |
| d) bottom harness straps not pulled tight enough, mask tends to go up |

## **AIR LEAKS**

- |                                                                                                                     |
|---------------------------------------------------------------------------------------------------------------------|
| a) Hair / hood trapped inside mask skirt                                                                            |
| b) Sewing on hood – skirt will not necessarily seal on all hoods especially if sewing on hood where mask skirt fits |
| c) Straps pulled to tight or not properly                                                                           |

## **REGULATOR FREE FLOWS**

- |                                                                                   |
|-----------------------------------------------------------------------------------|
| a) Adjustment knob opened to much, regulate by closing knob in face down position |
| b) Regulator purge button has sand / pebbles stuck inside                         |
| c) Regulator needs servicing                                                      |
| d) First stage intermediate pressure not 135 psi / 9.5 bar                        |

## **REGULATOR HARD TO BREATHE FROM**

- |                                                                                                                     |
|---------------------------------------------------------------------------------------------------------------------|
| a) Adjustment knob closed too much, regulate by opening knob in face down position                                  |
| b) Aspiration knob on red instead of green                                                                          |
| c) Regulator needs servicing                                                                                        |
| d) First stage intermediate pressure not 135 psi / 9.5 bar                                                          |
| e) If purchased before June 1, 1999 request upgrade kit (poppet cod 15252, poppet seat cod 8865, spring cod 15441 ) |

## **FFM VIBRATES**

- |                                                                           |
|---------------------------------------------------------------------------|
| a) Harness straps not adjusted properly - tighten bottom straps           |
| b) Adjustment knob opened too much                                        |
| c) Nira adjustment too soft – make proper adjustment with adjustment tool |

## **CLAMPING BAND TEARS**

- |                                                              |
|--------------------------------------------------------------|
| a) improper removing technique must pull forward not outward |
|--------------------------------------------------------------|

## **NIRA COVER PLATE UNSCREWS**

- |                                  |
|----------------------------------|
| a) request NIRA cover plate lock |
|----------------------------------|

## INSTRUMENTS

They are all certified in according with EN 250 rules – certification stamp is C5 0474  
The followingh tables are the max. tollerances acceptable by EN 250

### ACCEPTABLE TOLLERANCES OF PRESSURE GAUGES AND DEPTH GAUGES

#### PRESSURE GAUGE

40 bar		+ - 5 bar	
100		+ -10	
200		+ -10	
300		+ -10	

#### DEPTH GAUGE

9 m		+ -0,5 m	
15		+ -0,7	
20		+ -1	
30		+ -1.5	
40		+ -2	
50		+ -2.5	
60		+ -3	
70		+ -3.5	
80		+ -4	

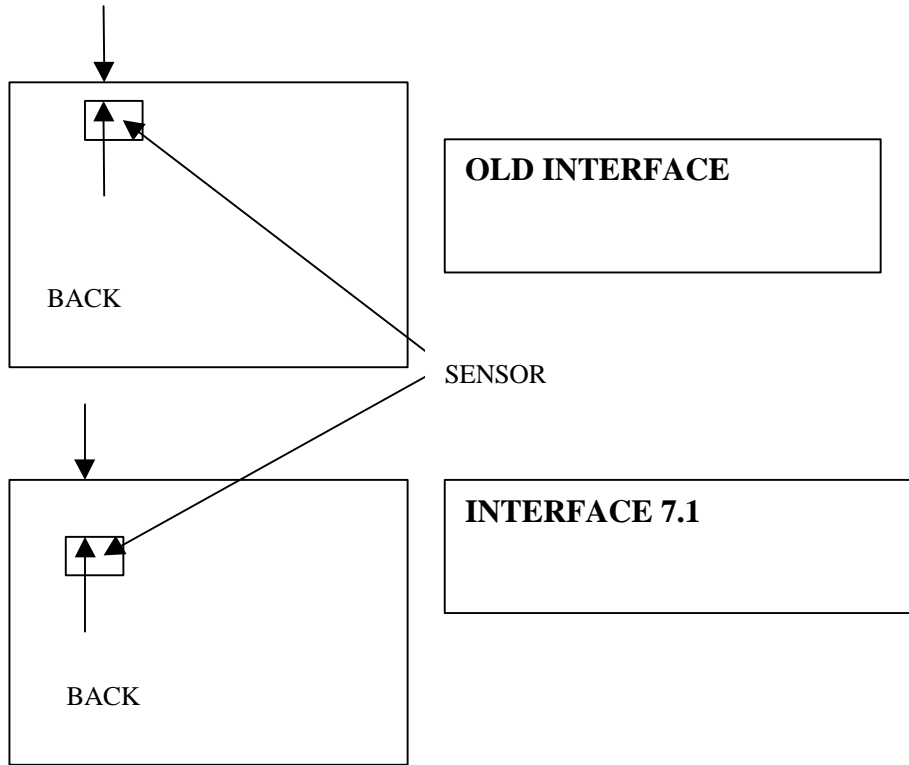
**COMPUTER SETTING  
FOR OCEAN 01 PLUS & OCEAN 02 NITROX  
INTERFACE COMPUTERS**

1. GO TO MY COMPUTER
2. CONTROL PANEL
3. SYSTEM
4. COM PORTS  
    CHOOSE THE COM PORT WHERE YOU HAVE CONNECTED THE INTERFACE
5. PROPERTY
6. SETTING  
    1200 BAUDS  
    8 BITS  
    NO PARITY  
    FLOW 1 STOP BITS  
    FLOW CONTROL HARDWARE
7. ADVANCE SETTING  
    DISABLE FILO BUFFERS

## HOW TO IDENTIFY THE RELEASE OF INTERFACE

7.1 MAY BE USE FOR ALL OCEAN REEF COMPUTERS (OCEAN 01R . OCEAN01 NITROX – OCEAN 01 PLUS – OCEAN 02 NITROX

OLD INTERFACE MAY BE USED JUST ON OCEAN 01 R AND OCEAN 01 NITROX



OCEAN REEF  
Via Pillea 42 16153 Genova (Italia)  
Phone 39 010 6598611 Fax 39 010 6598622  
e-mail [ocean.reef@oceanreefgroup.com](mailto:ocean.reef@oceanreefgroup.com)

OCEAN REEF  
1205 Linda Vista Dr. San Marcos, Ca 92069 (USA)  
Phone 1-760-744-9430 Fax 1-760-744-9525

Ocean REEF Group on Internet  
<http://www.oceanreefgroup.com>

