

Website:<http://www.LGService.com> [For U.S.A]
www.lg.ca [For CANADA]
E-mail:<http://www.LGService.com/techsup.html>

WASHING MACHINE SERVICE MANUAL

CAUTION

READ THIS MANUAL CAREFULLY TO DIAGNOSE
TROUBLECORRECTLY BEFORE OFFERING SERVICE.

MODEL : WD-3274RHD / WD-3276RHD

CONTENTS

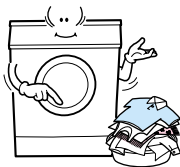
1. SPECIFICATION.....	3
2. FEATURES & TECHNICAL EXPLANATION	4
3. PARTS IDENTIFICATION	6
4. INSTALLATION.....	7
5. OPERATION.....	10
6. WIRING DIAGRAM / PROGRAM CHART	12
7. TROUBLESHOOTING.....	13
7-1.BEFORE PERFORMING SERVICE	13
7-2.QC TEST MODE.....	13
7-3.HOW TO KNOW THE WATER LEVEL FREQUENCY.....	13
7-4.ERROR DISPLAY	14
8. ERROR DIAGNOSIS AND CHECK LIST	16
8-1. DIAGNOSIS AND ANSWER FOR ABNORMAL OPERATION	16
8-2. FAULT DIAGNOSIS AND TROUBLESHOOTING	19
9. DISASSEMBLY INSTRUCTIONS	29
10. EXPLODED VIEW AND PARTS LIST	39
10-1. THE EXPLODED VIEW OF CABINET ASSEMBLY	39
10-2. THE EXPLODED VIEW OF CONTROL PANEL AND DISPENSER ASSEMBLY	40
10-3. THE EXPLODED VIEW OF DRUM AND TUB ASSEMBLY	41
10-4. THE EXPLODED VIEW OF DRYER	42
※ APPENDIX (Replacement parts list)	43

1. SPECIFICATION

ITEM		WD-3274RHD / WD-3276RHD
POWER SUPPLY		120V~, 60Hz
PRODUCT WEIGHT		156 1/2 lbs. (71 kg)
ELECTRICITY CONSUMPTION	WASHING	140W
	SPIN	300W
	FAN MOTOR	25W
	DRAIN MOTOR	40W
	WASH HEATER	1000W
	DRY HEATER	1200W
REVOLUTION SPEED	WASH	45rpm
	SPIN	No spin/400/800/1000/1400 rpm
OPERATION WATER PRESSURE		4.5 ~ 145 PSI (30 ~ 1000 KPa)
CONTROL TYPE		Electronic
WASH CAPACITY		15 ² / ₅ lbs. [7.0 kg]
DRY CAPACITY 3.0kg		8 ⁴ / ₅ lbs. [4.0 kg]
DIMENSION		23 ⁵ / ₈ x 23 ⁵ / ₈ x 33 ¹ / ₂ in. (600 x 600 x 850mm)
WASH PROGRAM		Cotton, Perm. Press, Wool/Silk, Rinse+Spin, Sanitary
WASH/DRY PROGRAM		Cotton, Perm. Press, Rinse+Spin, Sanitary
OPTION		Dry only, Extra Rinse, Extra Wash
DOOR SWITCH TYPE		Bi-Metal type
WATER LEVEL		8 steps (by sensor)
RESERVATION		From 3 hours to 19 hours
SENSING OF THE LAUNDRY AMOUNT		Adapted
FUZZY LOGIC		Adapted
DISPLAY OF THE REMAINING TIME		Adapted
ERROR DIAGNOSIS		10 items
POWER AUTO OFF		Adapted
CHILD LOCK		Adapted
AUTO RESTART		Adapted
RAPID		Adapted

2. FEATURES & TECHNICAL EXPLANATION

2-1.FEATURES

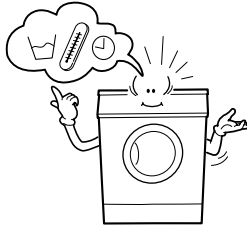


■ Automatic process from washing to drying.

Automatic process from washing to drying can be selected easily.

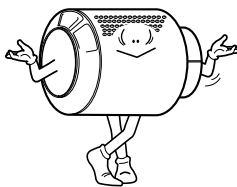
Washing capacity : 15 ⁵/₂ lbs.; c7.0 kg ; d

Drying capacity : 8 ⁴/₅ lbs.; c4.0 kg ; d



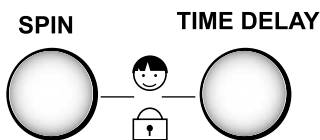
■ More economical by Intelligent Wash System

Intelligent Wash System detects the amount of load and water temperature, and then determines the optimum water level and washing time to minimize energy and water consumption.



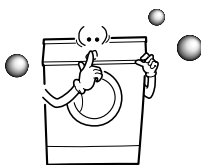
■ Direct Drive system

The advanced Brushless DC motor rotates the Drum directly without belt and pulley.



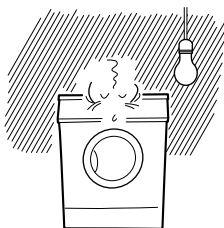
■ Child-Lock

The Child-Lock system has been developed to prevent children from pressing any button to change the program during operation.



■ Low noise speed control system

By sensing the amount of load and balance, automatically distributes load evenly to minimize the spinning noise level.

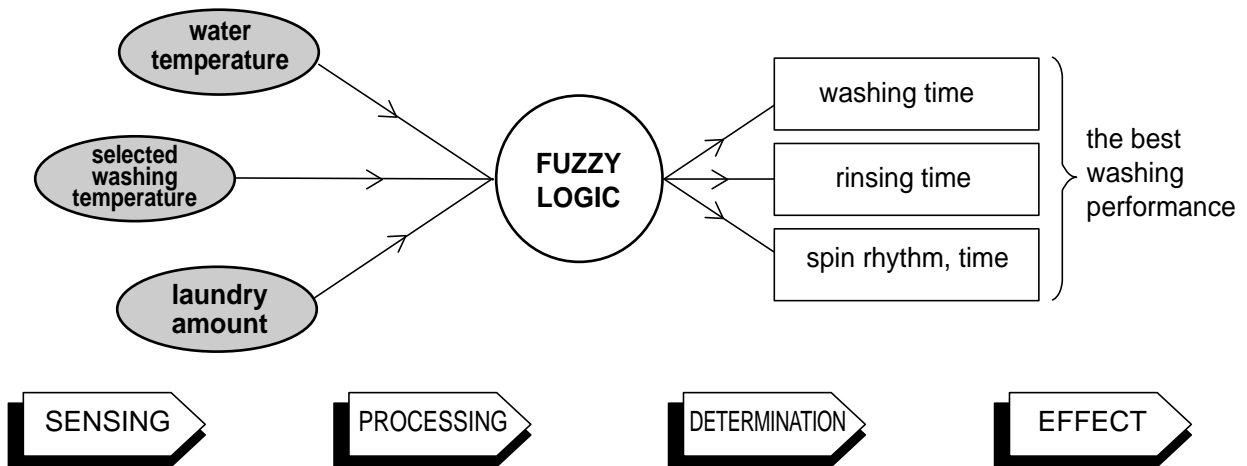


■ Auto Restart

Although the washing machine is turned off by a power failure, it restarts automatically where it stopped when power is supplied again. And it will be the same if the machine unplugged and is plugged in again.

2-2.DETERMINE WASHING TIME BY FUZZY LOGIC

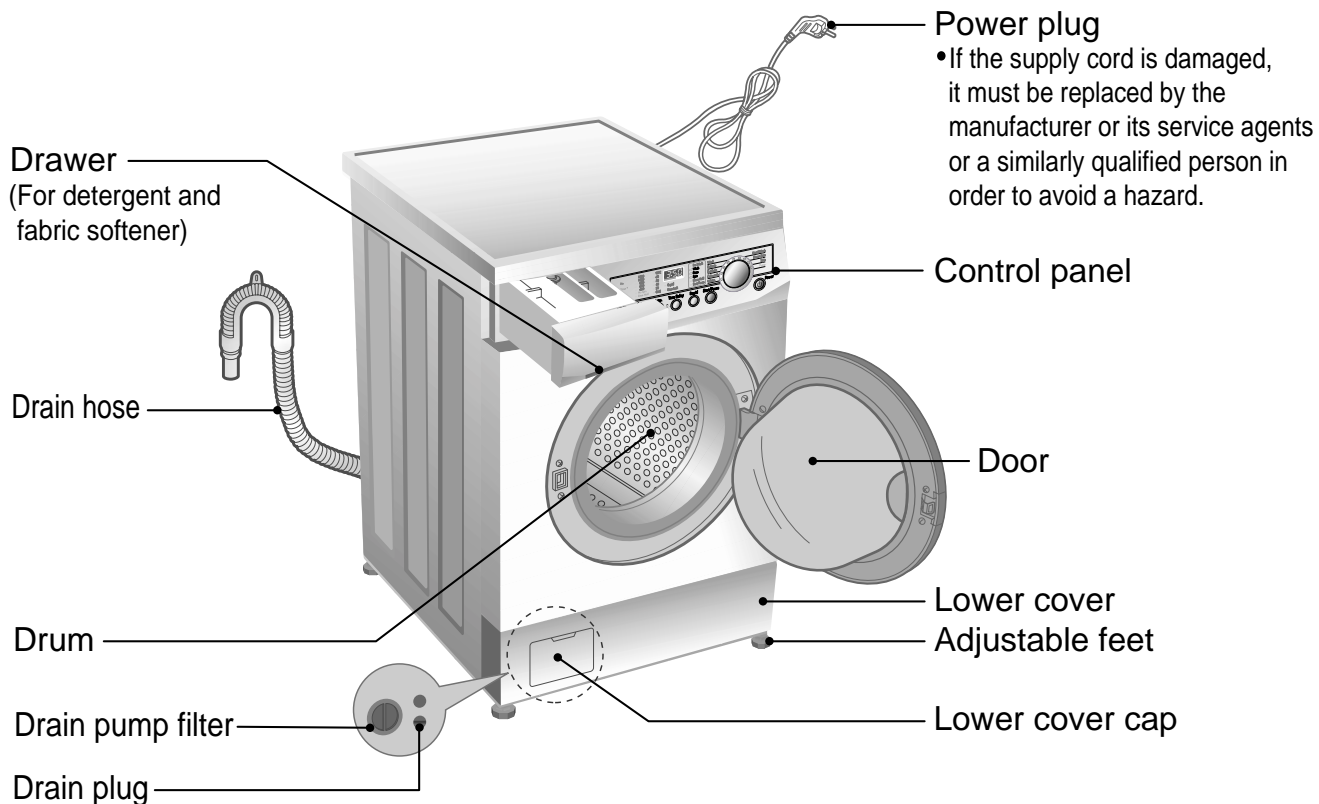
To get the best washing performance optimal time is determined by sensing of water temperature, selected washing temperature and laundry amount.



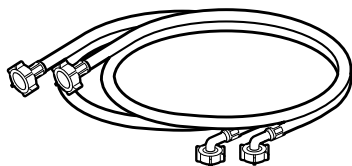
2-3.WATER LEVEL CONTROL

- This model adopts a pressure sensor which can sense the water level in the tub.
- Water supply is stopped when the water level to the preset level, then the washing program proceeds.
- Spinning does not proceed until the water in the tub reduces a certain level.

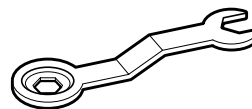
3. PARTS IDENTIFICATION



■ ACCESSORIES



Inlet hose(1 each)



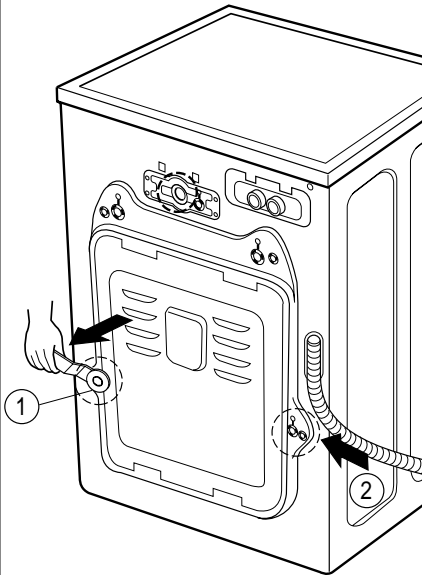
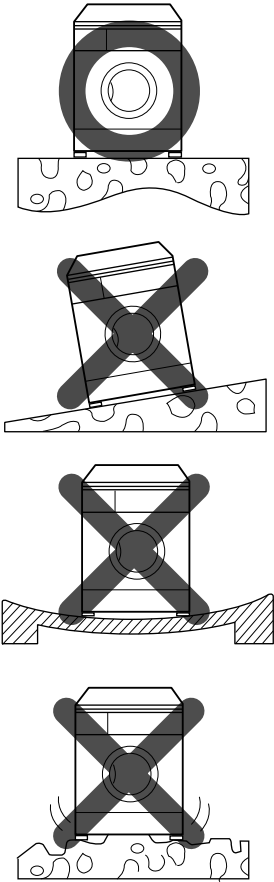
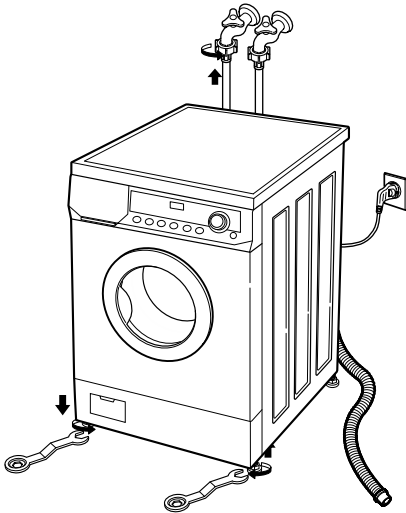
Wrench

4. INSTALLATION

- ① Before servicing ask trouble the customer, what the trouble is.
- ② Check the adjustment (power supply is 120V~ remove the transit bolts....)
- ③ Check the troubles referring to the troubleshooting.
- ④ Decide service steps referring to disassembly instructions.
- ⑤ Then, service and repair.
- ⑥ After servicing, operate the appliance to see whether it works O-K or NOT.

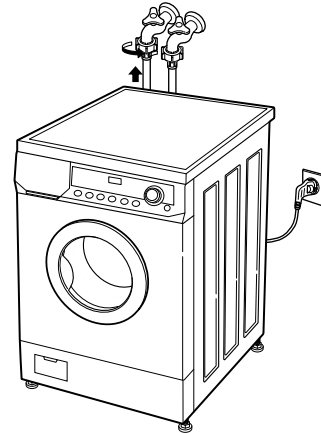
■ STANDARD INSTALLATION

The appliance should be installed as follows.

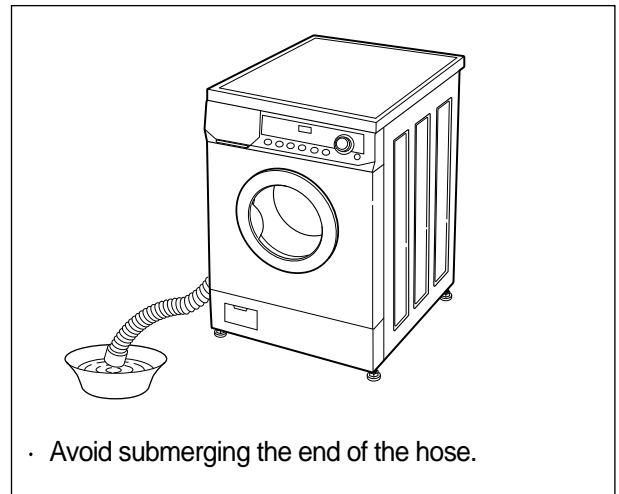
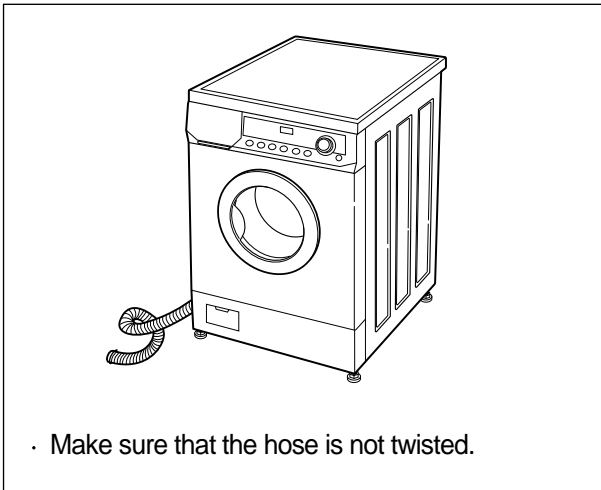
REMOVE THE TRANSIT BOLTS	INSTALL THE APPLIANCE ON FLAT AND FIRM SURFACE	ADJUST THE HORIZONTAL
<ul style="list-style-type: none"> • Remove the transit bolts (3EA: ①) with supplied spanner. • Keep the transit bolts and spanner for future use. • Insert the 3 caps provided into the hole 		<ul style="list-style-type: none"> • Turn the leveling feet to set the appliance horizontally.  <ul style="list-style-type: none"> • The appliance goes up by rotating the feet clockwise. • The appliance come down by rotating the feet counterclockwise.

■ HOW TO CONNECT INLET HOSE

- Check that the rubber washer is inside of the valve connector.
- Connect the inlet hose firmly to prevent leak.

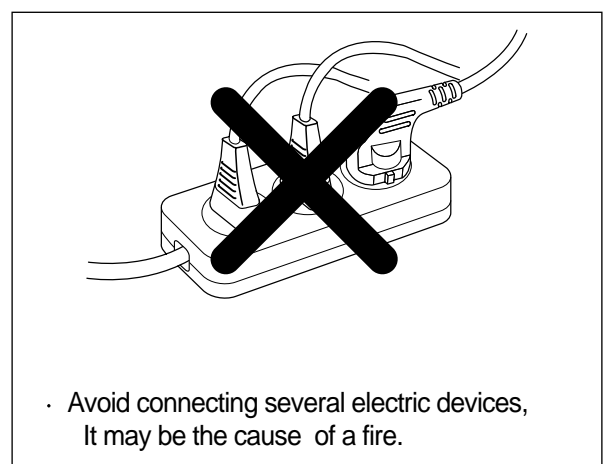
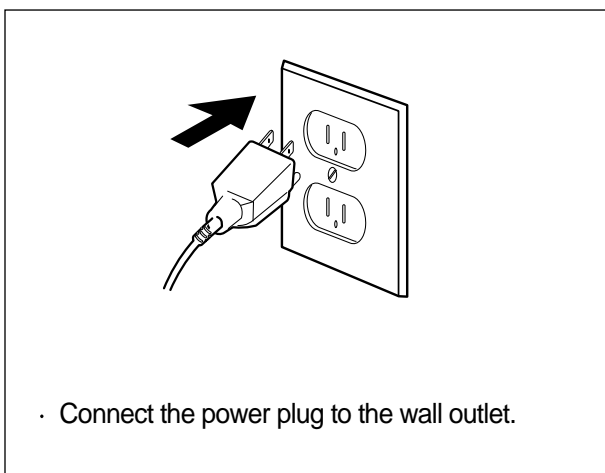


■ CONNECT DRAIN HOSE

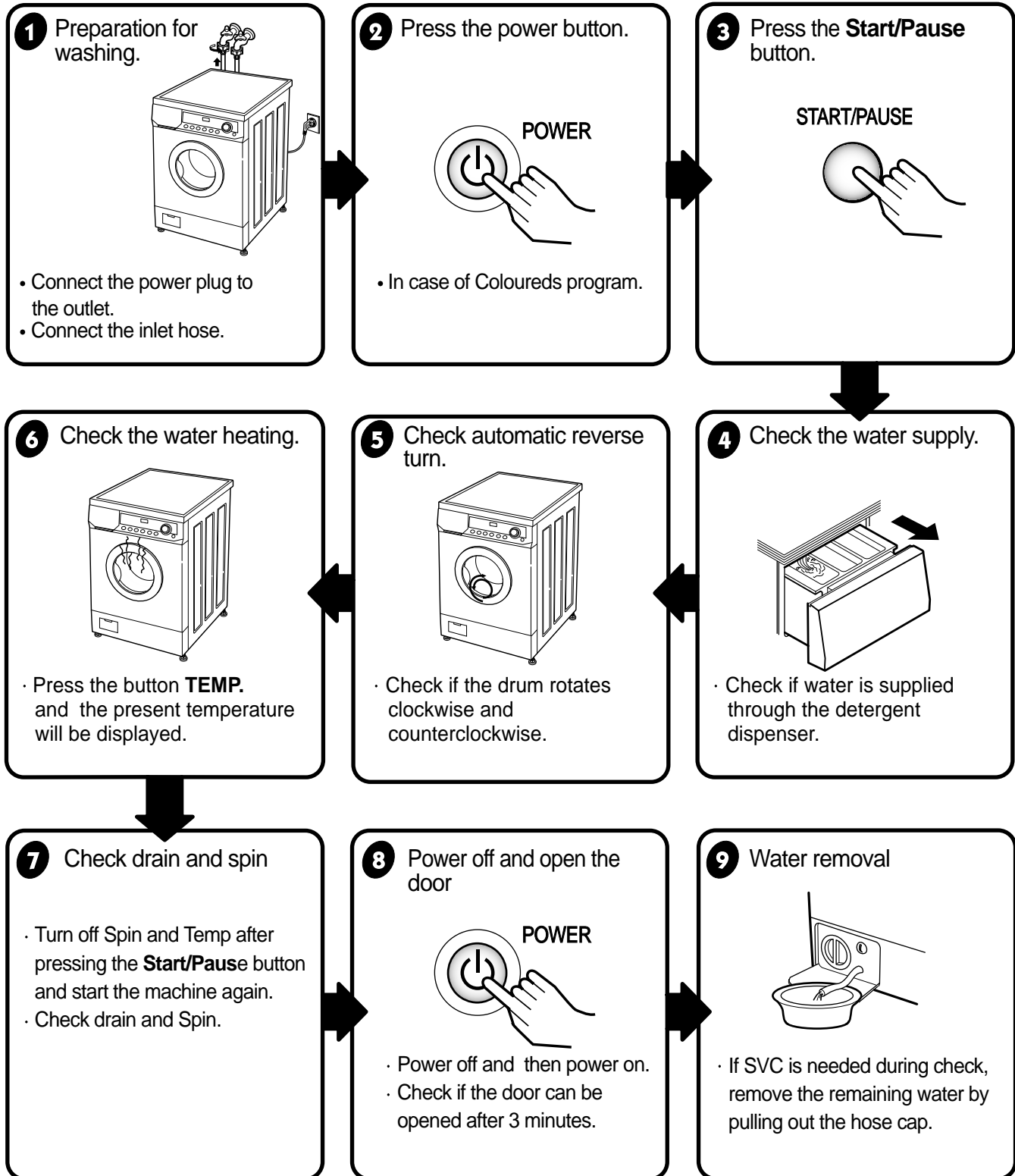


※ The drain hose should be placed under 100cm from the floor.

■ CONNECT POWER PLUG



7 TEST OPERATION



5. OPERATION

Option

Extra Wash

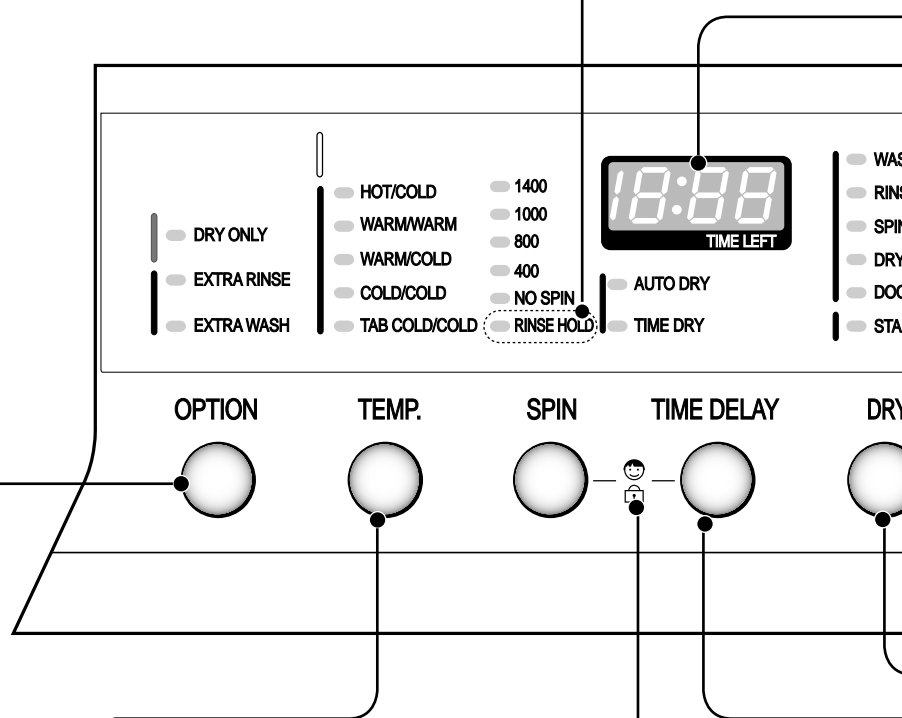
- If the laundry is heavily soiled, "Extra Wash" course is effective.
- Extra Wash is available in Sanitary, Cotton and Perm. press.

Extra Rinse

- This option can be used to add a rinse for people with sensitive skin. Selecting the Extra Rinse button is also recommended when washing heavily soiled fabrics which needs a lot of detergent, or when the wash load contains towelling fabrics that have a greater tendency to retain detergent.

Rinse hold

- If you desire to leave fabrics in the machine without spinning after rinse to prevent them wrinkling, you may select rinse hold by pressing the spin button.
- If you want to drain and spin, when Rinse Hold function is proceed, Press the Start/Pause button to cancel the Rinse Hold function and select spin speed or program. Press the Start/Pause button again to start program.
- If you want to drain only, select the no spin.
- If lamp turns on, that function has been selected.



Water temperature selector

- Press the button to select water temperature.
- The water temperature [WARM/COLD → WARM/WARM → HOT/COLD → TAB COLD/COLD → COLD/COLD] selected in Cotton or Perm. Press.
- [HOT/COLD] is selected for Sanitary only.
- By pressing the button while operating the washer, the present temperature is displayed.

Child - lock

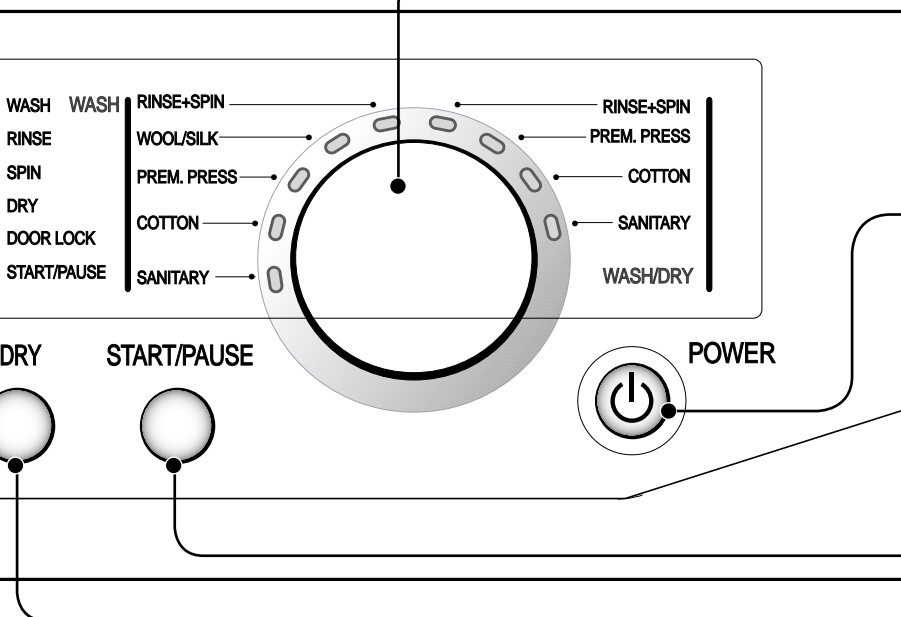
- Child Lock system can be set and canceled by pressing both [SPIN] and [TIME DELAY] button simultaneously.
- Once Child Lock is set, all button are inoperable.
- Child Lock system can be set anytime even during Power-off and operation.
- It is automatically cancelled when an operational error occur.

LED display

- It displays the remaining time (Hour : Minute) to finish.
- In case of abnormal operation, error indications are displayed.
(IE, OE, UE, dE, tE, FE, PE, LE, dHE, CE)
- See troubleshooting guide.

Wash & Wash/Dry program selector

- 9 programs can be set depending on the type of the laundry.
- By turning the program dial, Cotton→Perm.Press→Wool/Silk→Rinse+Spin→*Rinse+Spin→*Perm. Press→*Cotton→*Sanitary→Sanitary [*:Wash/Dry]
(The opposite order is possible)



Power button

- Press the button to turn power on and off.
- Press the button to cancel the delay finish.

Start/Pause button

- Use the button to start or pause wash cycle.
- The power turns off automatically 4 minutes after the pause button is pressed.

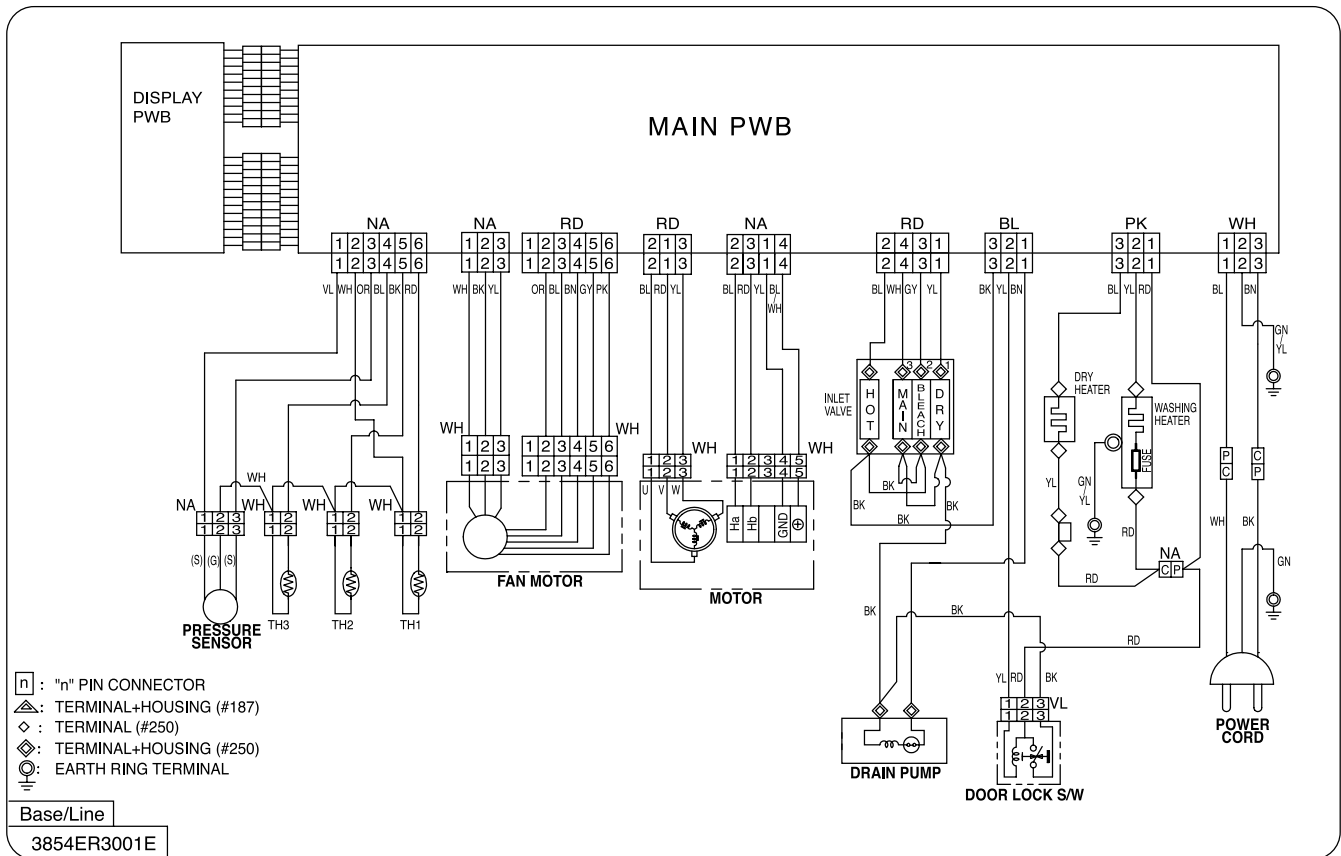
Time Delay

- Press the button when delayed washing is needed.
- When the button is pressed, [3:00] is displayed, maximum delay of [19:00] hours can be set.
- Each press advances time delay by the hour.
- Use [POWER]button to cancel [TIME DELAY].
- [TIME DELAY] means the time required from the present to the completion of washing.

Dry Selector

- Dry programs can be selected by pressing the [DRY] button.
- By pressing the button, [AUTO DRY → TIME DRY(30/60/150)] can be selected.

6. WIRING DIAGRAM / PROGRAM CHART



*() : Wash/Dry

PRGRAM CHART (KGD2-PJT)

* Water Supply : W•S / Intermittent Spin : I•S / Distangle : D•T

CYCLE	Washing				Rinse								Spin		AUTO OFF	Normal working Time												
	Pre		Main		Normal				Rinse+				DRY	END														
	W•S	washing	drain	I•S	1		2		3		4						drain	spin	D•T									
					heating	washing	I•S	W•S	rinse	drain	I•S	W•S	rinse	drain						I•S	W•S	rinse						
1	2	3	4	5	6	7	8	9	10	11	12	13	14	15	16	17	18	19	20	21	22	23	24	25	26	27	20	20
TIME (sec)	120	(min)	60	240	120	(min)	60	240	120	180	60	240	120	180	60	240	120	180	60	240	120	180	60	480	180	—	20	20
Cotton	Basic Cycle																										About 1:22(4:31)	
Perm. Press	Optional Cycle																										About 1:17(4:25)	
Sanitary	Optional Cycle																										About 1:37(4:46)	
Wool/Silk	Optional Cycle																										About 56	
Rinse+Spin	Basic Cycle																										About 32	
Spin	Basic Cycle																										About 12	

* — : Basic Cycle

* - - - - : Optional Cycle

* Pre-Setting Time : Water Supply - 120 sec.
Drain - 60 sec.

* Basic time is minute in washing chart

* The actual program time can be varied with the load amount.

7. TROUBLESHOOTING

7-1.BEFORE PERFORMING SERVICE

- Be careful of electric shock or disconnecting the parts while trouble shooting.
- Voltage of each terminal in 120V~ and DC while applying an electric current.

7-2.QC TEST MODE.

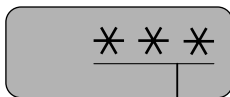
- α Pressing SPIN, and TEMP. button simultaneously.
- α Power supply ON with pressing upper two button. Then buzzer sound twice.
- α Press the **START/PAUSE** button as follows.

[Press the **START/PAUSE** button more 4 times until stop spinning]

Pressing number of [START/PAUSE] button	Checking Point	Display Status
None	All lamps turn on	
1 time	Clockwise spin (right)	Drum rpm (About 40~52)
2 times	Low speed Spin	Drum rpm (About 70~90)
3 times	High speed Spin	Drum rpm (About 110~130)
4 times	Inlet valve for pre-wash operation	Water level frequency (25~65)
5 times	Inlet valve for main-wash operation	Water level frequency (25~65)
6 times	Inlet valve for dry operation	Water level frequency (25~65)
7 times	Counterclockwise spin (left)	Drum rpm (About 40~52)
8 times	Heater is in operation for 3 sec.	Water temperature
9 times	Draining pump operation	Water level frequency
10 times	Dry operation for 6 minutes	Auto off operation after 6 minutes

7-3.HOW TO KNOW THE WATER LEVEL FREQUENCY

- * Press the OPTION and TEMP. button simultaneously.



● The digits means water level frequency (10^{-1} kHz)




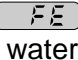
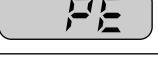
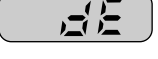

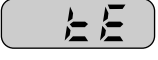
$$\begin{aligned} \text{ex) } 241 : \text{ Water level frequency} &= 241 \times 10^{-1} \text{ kHz} \\ &= 24.1 \text{ kHz} \end{aligned}$$




7-4.HOW TO KNOW TO TEMPERATURE OF EACH THERMISTOR AT OPERATING CONDITION.

- Thermistor in tub : Press the [WATER TEMP.] button.
- Thermistor in dry duct : Press the [DRY] button.
- Thermistor in condensing duct : Press the [SPIN] and [DRY] button simultaneously.

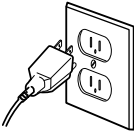
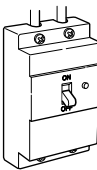






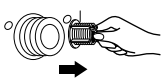
7-5.ERROR DISPLAY.






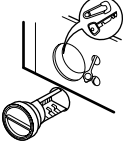
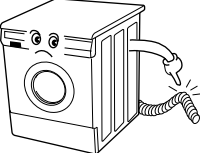
- If you press the START/PAUSE button when an error is displayed. any error except 『PE』 will disappear and the machine will change into pause status.
- In case of 『PE』, 『LE』, 『dE』 if the error is not resolved within 20 sec., in the case of other errors, if the error is not resolved within 4 min., power will be turned off automatically and the error code will blink. But in the case of 『FE』, power will not be turned off.

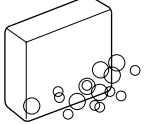
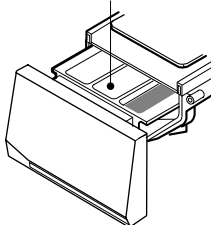
	ERROR	SYMPTOM	CAUSE
1	WATER INLET ERROR		<ul style="list-style-type: none"> • Not reached to the water level (2 level) within 4 minutes after water supplied or not reached to the preset water level within 25 minutes.
2	DRAIN ERROR		<ul style="list-style-type: none"> • Not fully drained within 5 minutes.
3	OVERFLOW ERROR		<ul style="list-style-type: none"> • Water is over flowing (over 8 level). • If  is displayed, drain pump operates to drain water automatically.
4	SENSOR PRESSURE S/W ERROR		<ul style="list-style-type: none"> • The sensor pressure switch is out of order.
5	DOOR OPEN ERROR		<ul style="list-style-type: none"> • In case of operating the reservation function or the other function with door opened. Close the door, then the error display is resolved. • The door switch is out of order.
6	IMBALANCE ERROR		<ul style="list-style-type: none"> • The appliance is tilted. • Laundry is gathered to one side.
7	HEATING ERROR		<ul style="list-style-type: none"> • The THERMISTOR is out of order.

	ERROR	SYMPTOM	CAUSE
8	CURRENT ERROR		<ul style="list-style-type: none"> • MAIN PWB ASSEMBLY is out of order <ul style="list-style-type: none"> ☞ Replace the MAIN PWB ASSEMBLY • Winding in the STATOR ASSEMBLY is short-circuited. <ul style="list-style-type: none"> ☞ Replace the STATOR ASSEMBLY • CE is displayed during a high spin <ul style="list-style-type: none"> ☞ Replace the LEAD WIRE ASSEMBLY (MOTOR)
9	MOTOR ERROR		<ul style="list-style-type: none"> • The connector in the LEAD WIRE ASSEMBLY is not connected to the connector of STATOR ASSEMBLY <ul style="list-style-type: none"> ☞ Reconnect or repair the connector • The hall sensor is out of order/defective. <ul style="list-style-type: none"> ☞ Replace the STATOR ASSEMBLY
10	DRY HEATOR ERROR		<ul style="list-style-type: none"> • The Dry Heater is out of order <ul style="list-style-type: none"> ☞ Replace the Dry Heater • The Connector of the Dry Heater is not connected properly to the connector in the Main PWB ASSEMBLY <ul style="list-style-type: none"> ☞ Reconnect or repair the connector • The Dry fan motor is out of order <ul style="list-style-type: none"> ☞ Replace the fan Motor.

8. ERROR DIAGNOSIS AND CHECK LIST

SYMPTOM	GUIDE FOR SERVICE CALL	
<p>No Power</p>	<p>Is the power plug connected firmly to 120V~ outlet?</p> <p style="text-align: center;">↓ YES ↓</p> <p>Power failure? or Breaker opened? Is the outlet controlled by a switch?</p> <p style="text-align: center;">↓ NO ↓</p> <p style="text-align: center;">Visit to check</p>	 
<p>Water inlet trouble</p> 	<p>Is  displayed?</p> <p style="text-align: center;">↓ YES ↓</p> <p>Is the tap opened?</p> <p style="text-align: center;">↓ YES ↓</p> <p>Is the tap frozen?</p> <p style="text-align: center;">↓ NO ↓</p> <p>Is the water supply shut-off?</p> <p style="text-align: center;">↓ NO ↓</p> <p>Is filter in the inlet valve clogged with foreign material?</p> <p style="text-align: center;">↓ NO ↓</p> <p style="text-align: center;">Visit to check</p>	    <p style="text-align: center;">↓ YES ↓</p> <p>Clean the filter of inlet valve</p> 

SYMPTOM	GUIDE FOR SERVICE CALL
<ul style="list-style-type: none"> • Door does not open • Error displayed on the program 	<div style="display: flex; justify-content: space-between;"> <div data-bbox="586 443 1230 757"> <p>Did you press the START/PAUSE button when the door is open?</p> <p>YES →</p> <p>NO ↓</p> <p>Visit to check</p> <p>Check if the door switch is O·K.</p> </div> <div data-bbox="1235 461 1430 719">  <p>Close the door</p>  </div> </div>
<ul style="list-style-type: none"> • Drain Trouble 	<div style="display: flex; justify-content: space-between;"> <div data-bbox="586 936 1149 1440"> <p>Is OE displayed?</p> <p>YES ↓</p> <p>Is the debris filter clogged with foreign material such as pins, coins, etc?</p> <p>YES →</p> <p>NO ↓</p> <p>Is the drain hose frozen with water, kinked, or crushed?</p> <p>NO ↓</p> <p>Visit to check</p> </div> <div data-bbox="1230 954 1466 1368">  <p>Clean up the filter.</p>   </div> </div>

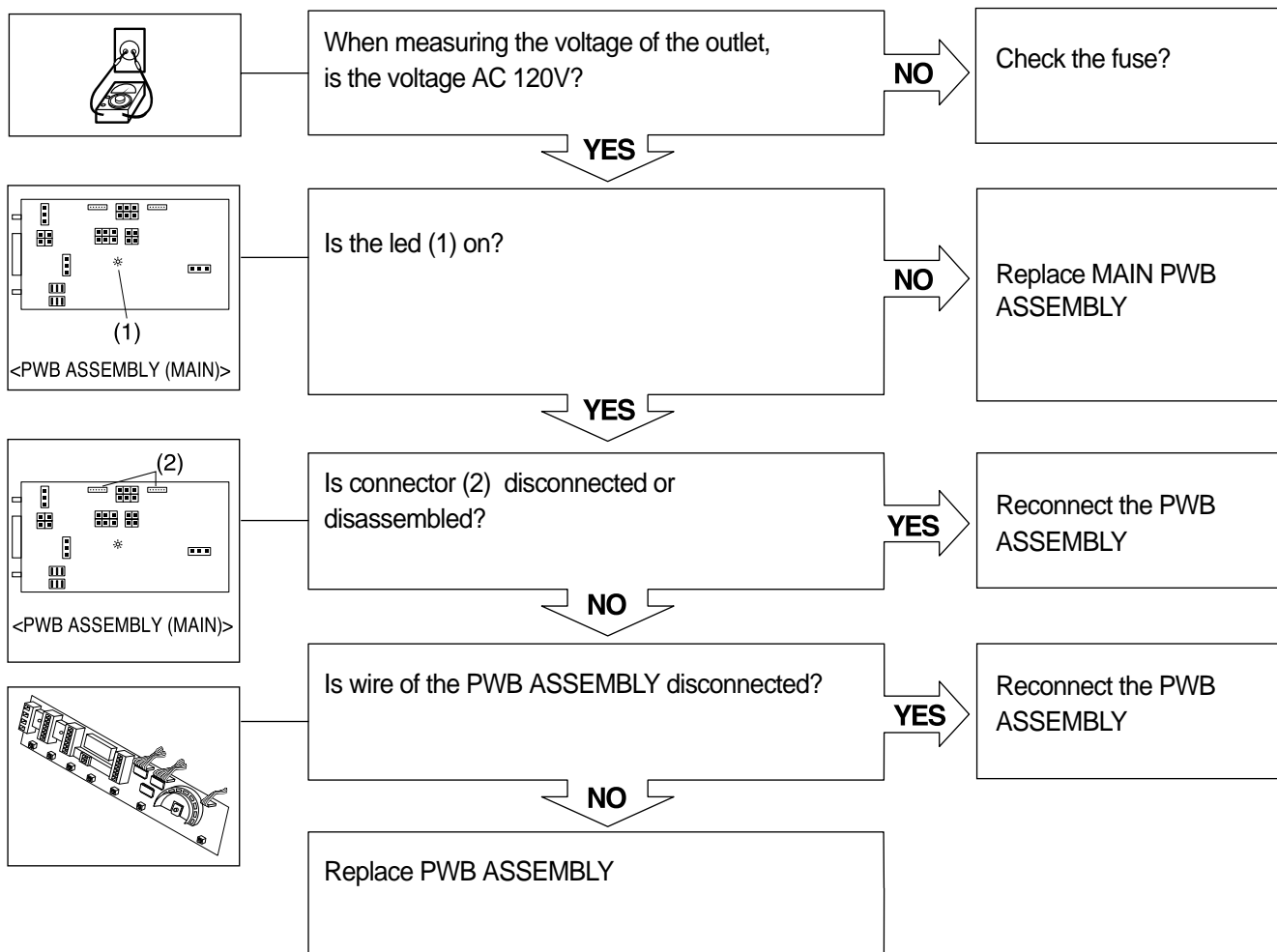
SYMPTOM	GUIDE FOR SERVICE CALL
<p>◦ Suds overflow from the appliance. (In this condition, wash and spin do not operate normally)</p>	<div style="display: flex; justify-content: space-between; align-items: center;"> <div style="width: 60%;"> <p>Is low-sudsing detergent for the drum washing machine used?</p> <p style="text-align: center;">YES</p> <p>Is the proper amount of detergent used as recommended?</p> <p style="text-align: center;">YES</p> <p style="border: 1px solid black; border-radius: 15px; padding: 5px; text-align: center;">Recommend to reduce the amount of detergent.</p> <p>* This appliance has the automatic suds sensing function which operates under much suds condition for good rinse and preventing overflow. * When much suds are sensed, the suds removing function such as drain, water input, pause will operate without rotating the drum.</p> </div> <div style="width: 35%; text-align: center;">  <p>LOW-SUDSING</p> </div> </div>
<p>◦ No effect of softener</p>	<div style="display: flex; justify-content: space-between; align-items: center;"> <div style="width: 60%;"> <p>Is softener put in the correct compartment of the drawer?</p> <p style="text-align: center;">YES</p> <p>Is the drawer closed during wash?</p> <p style="text-align: center;">YES</p> <p>Is the softener cap clogged?</p> <p style="text-align: center;">YES</p> <p style="border: 1px solid black; border-radius: 15px; padding: 5px; text-align: center;">Explain how to use softener</p> <p style="text-align: center;">Clean the compartment for softener</p> </div> <div style="width: 35%; text-align: center;"> <p>Compartment for softener</p>  </div> </div>
<div style="display: flex; flex-direction: column; align-items: center;"> <div style="display: flex; gap: 10px;"> <div style="border: 1px solid gray; border-radius: 5px; padding: 2px 5px;">FE</div> <div style="border: 1px solid gray; border-radius: 5px; padding: 2px 5px;">dHE</div> </div> <div style="display: flex; gap: 10px; margin-top: 5px;"> <div style="border: 1px solid gray; border-radius: 5px; padding: 2px 5px;">FE</div> <div style="border: 1px solid gray; border-radius: 5px; padding: 2px 5px;">CE</div> </div> <div style="display: flex; gap: 10px; margin-top: 5px;"> <div style="border: 1px solid gray; border-radius: 5px; padding: 2px 5px;">LE</div> <div style="border: 1px solid gray; border-radius: 5px; padding: 2px 5px;">LE</div> </div> </div>	<p style="border: 1px solid black; border-radius: 15px; padding: 10px; text-align: center;">Visit to check</p>

8-2.FAULT DIAGNOSIS AND TROUBLE SHOOTING

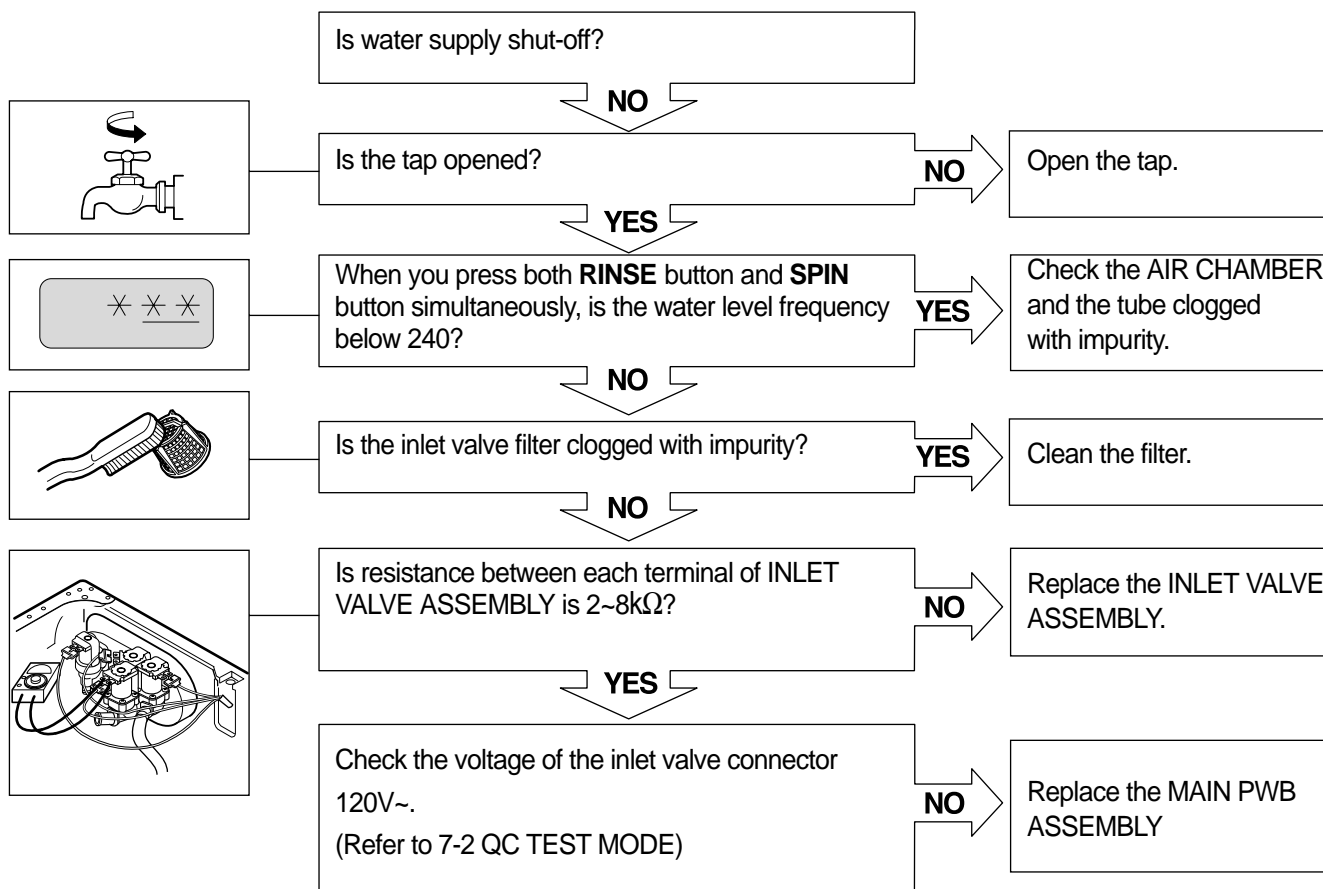
CAUTION

1. Be careful of electric shock or disconnecting the parts while trouble shooting.
2. First of all, check the connection of each part terminal with wiring diagram.
3. If you replace the MAIN PWB ASSEMBLY, Put in the connectors correctly.

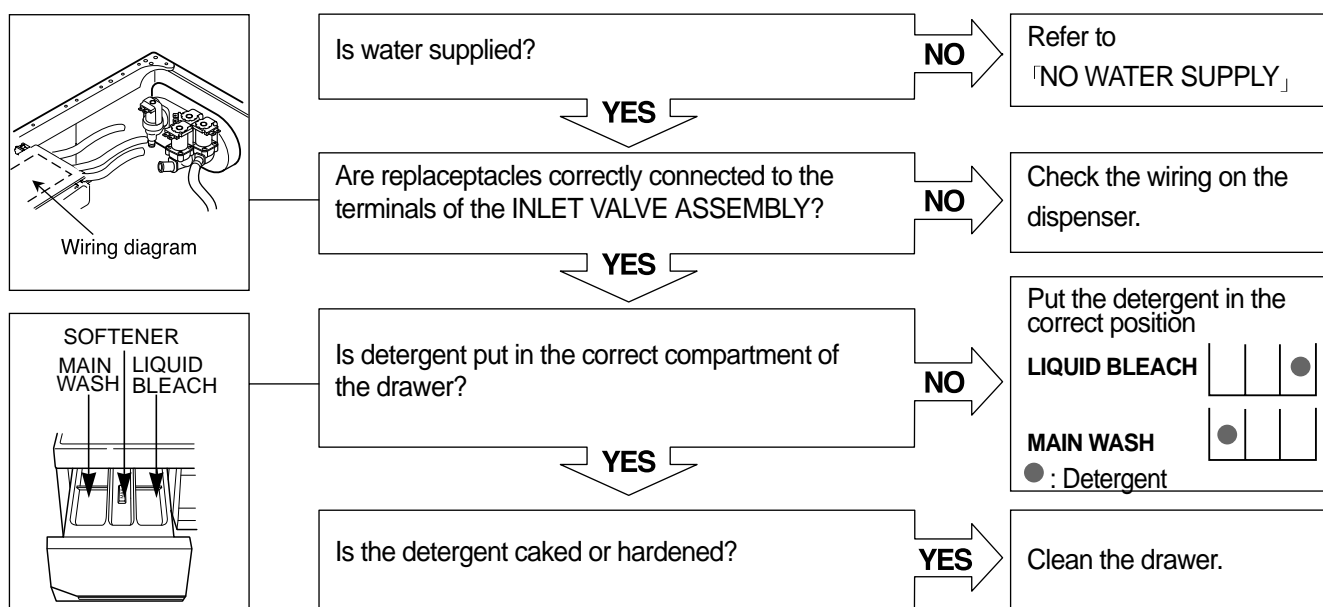
NO POWER



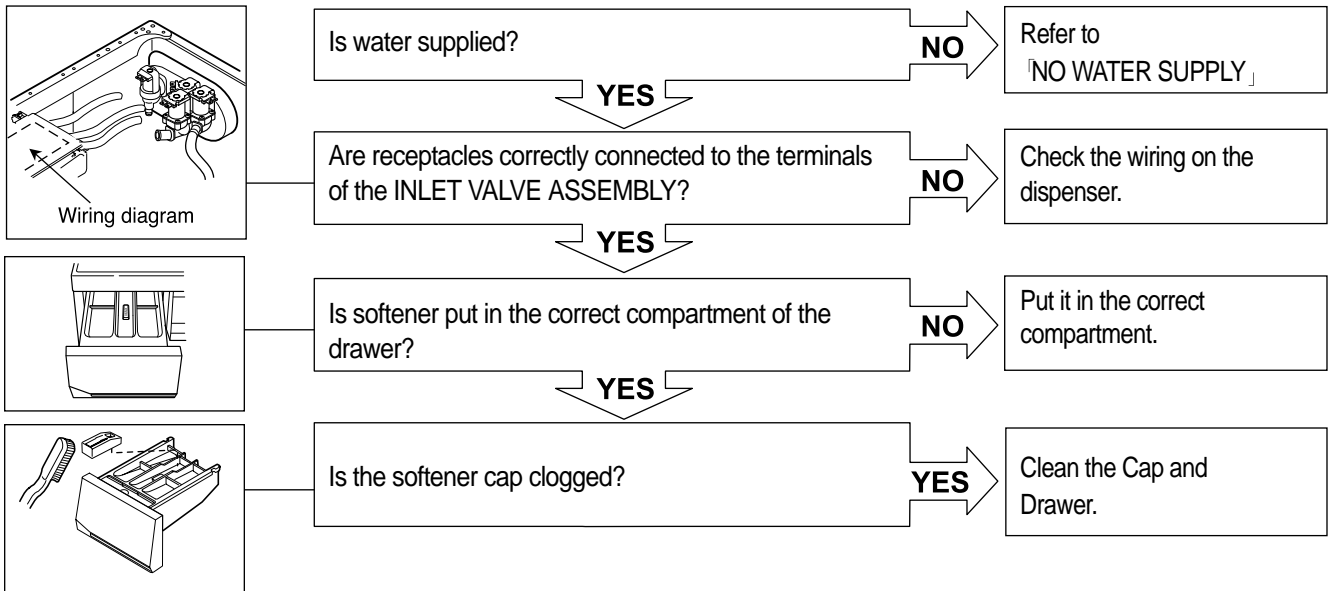
NO WATER SUPPLY



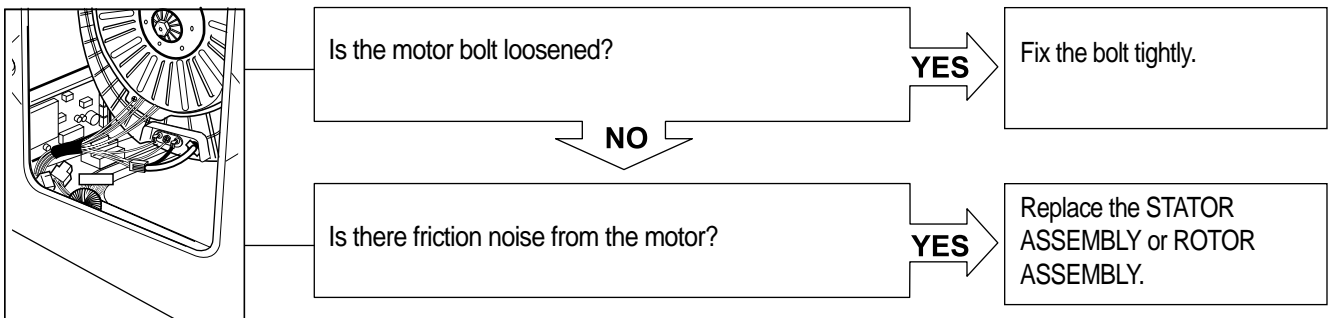
DETERGENT DOES NOT FLOW IN



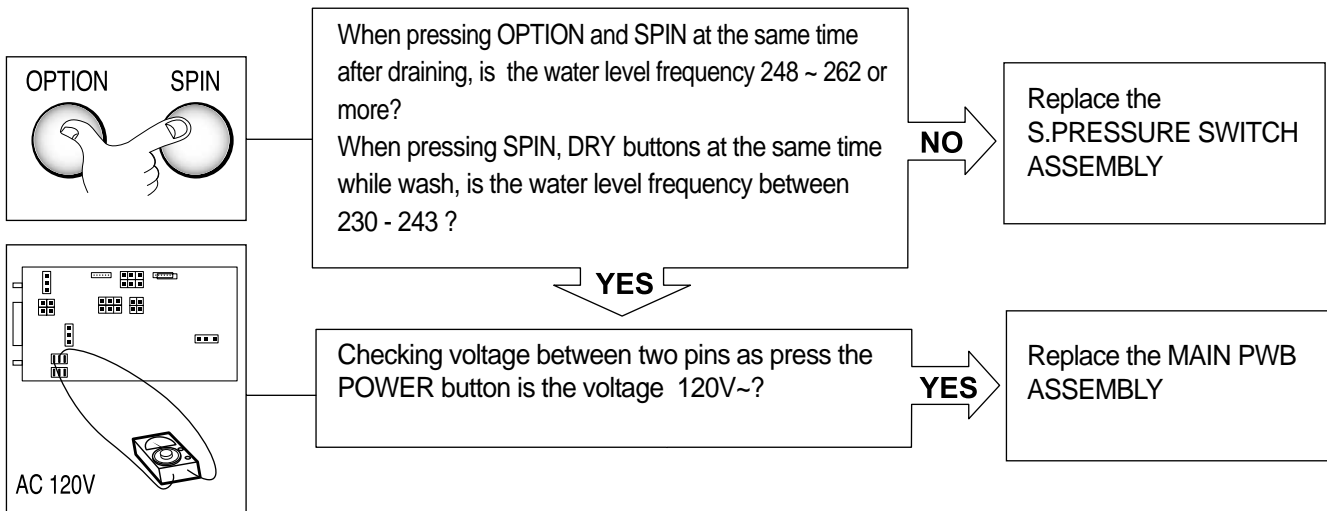
SOFTENER DOES NOT FLOW IN



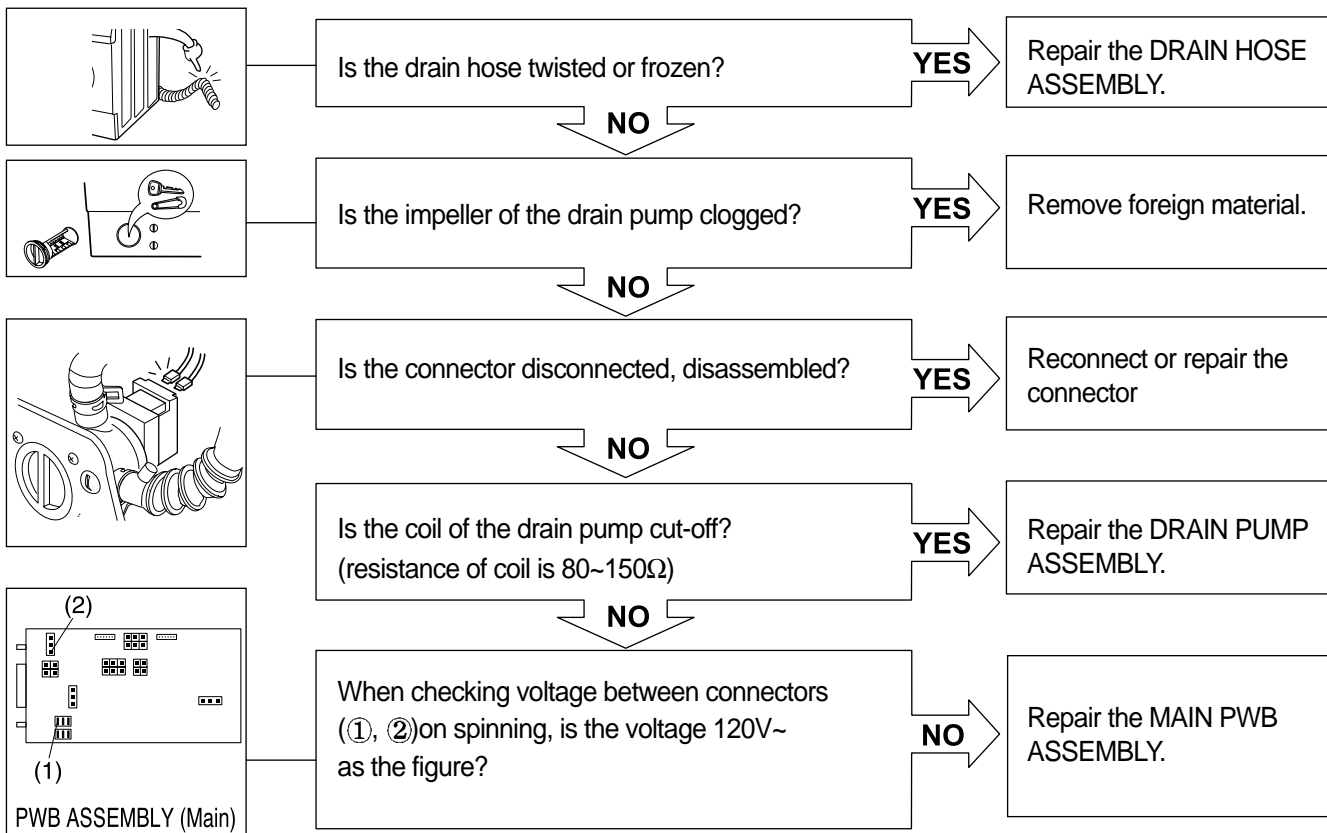
ABNORMAL SOUND



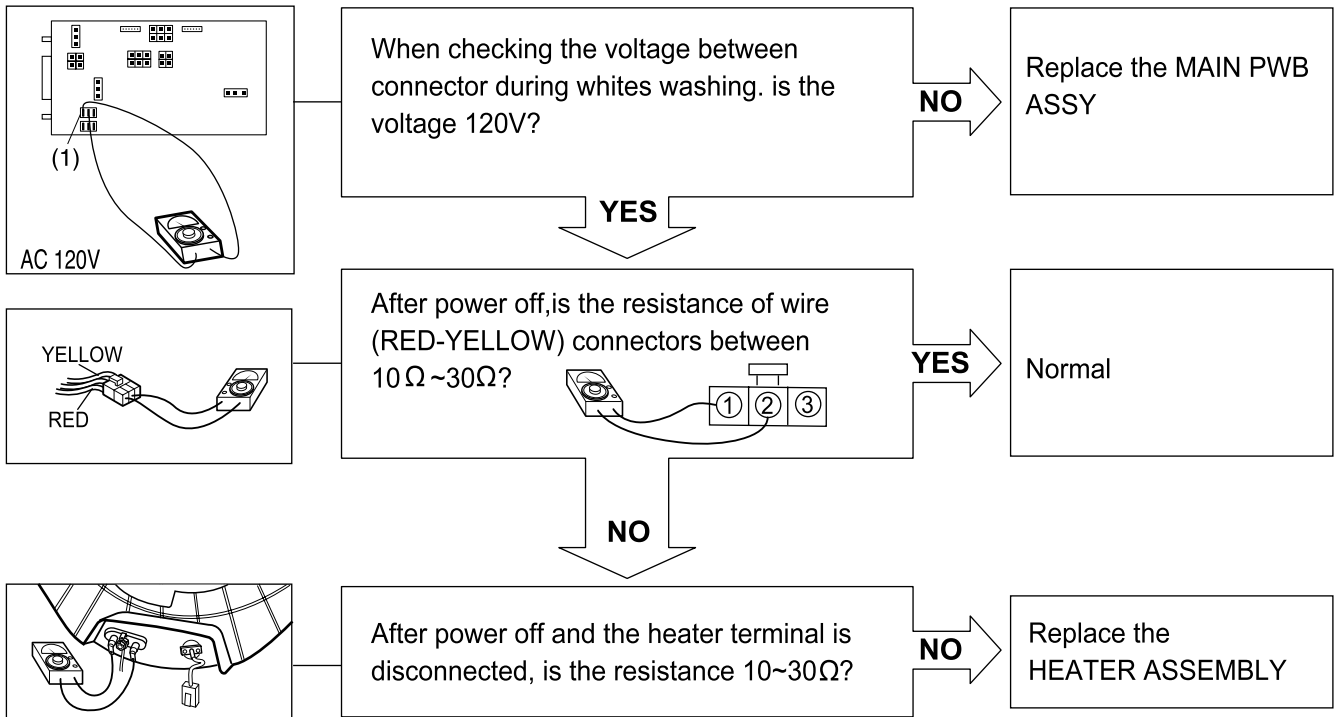
HEATING WITHOUT WATER



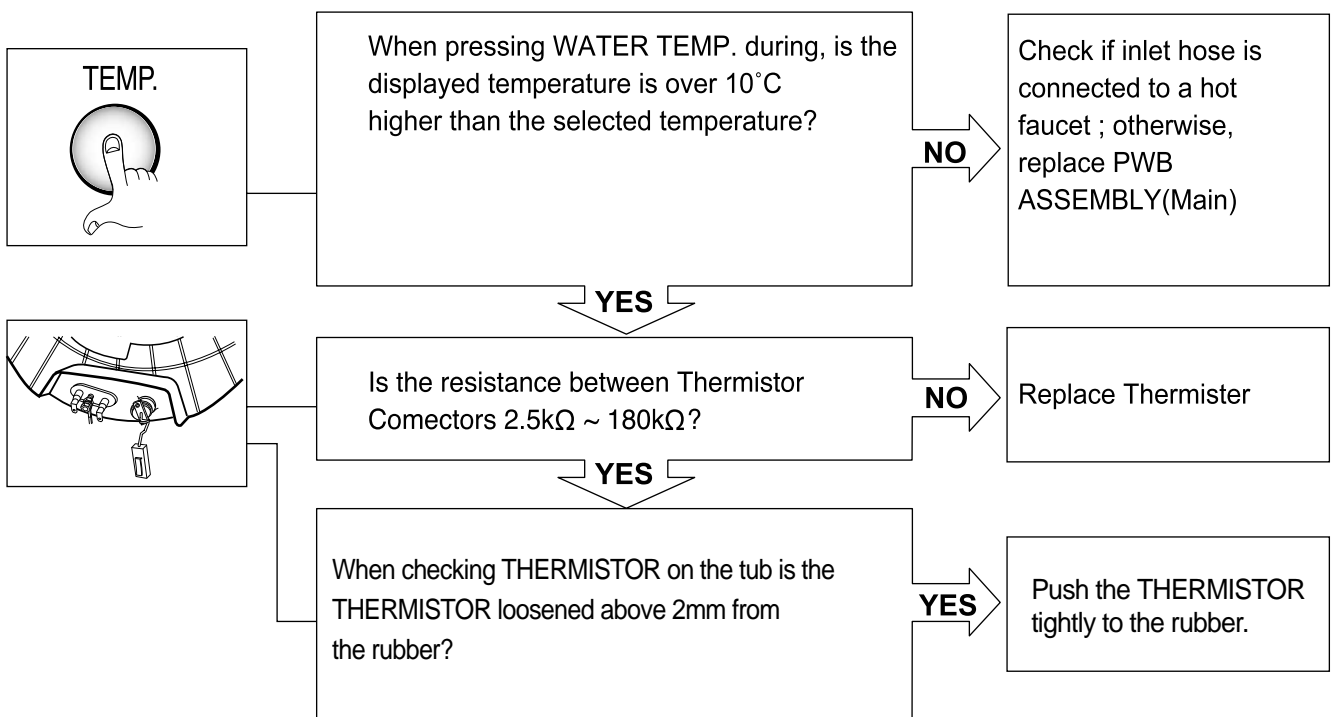
DRAIN MALFUNCTIONING



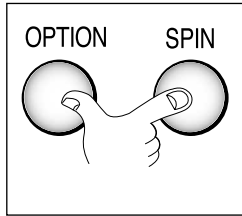
WASH HEATER TROUBLE



HEATING CONTINUOUSLY ABOVE THE SETTING WATER TEMPERATURE



SPIN TROUBLE

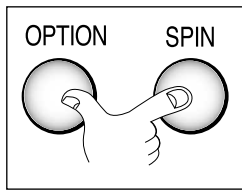


Check on the spinning, is the frequency of the water level 248 or more. The frequency can be checked by pressing the OPTION and SPIN buttons at the same time on the program.

NO →

Check the S.PRESSURE SWITCH ASSEMBLY or HOSE (Pressure). If the problem is on the S.PRESSURE SWITCH ASSEMBLY or the HOSE, replace the S.PRESSURE SWITCH ASSEMBLY or the HOSE.

↓ **YES** ↓

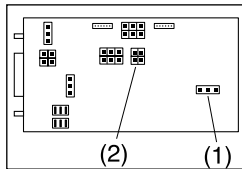


When pressing OPTION, SPIN and POWER buttons at the same time after power off, press the **START/PAUSE** button 1 times, is the drum spinning at low speed?

YES →

Normal

↓ **NO** ↓

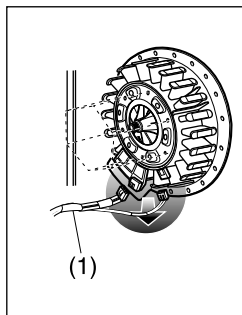


Is it disconnected, or disassembled?
[Red:3pin (1), NA:4pin (2)]

YES →

Correct the connector.

↓ **NO** ↓



Check the motor connector, Is the resistance of the terminal same as the figure?
MOTOR TERMINAL (1)

¥L	¥M	¥N
----	----	----

Resistance of terminal:
¥L~¥M / ¥M~¥N / ¥N~¥L: About 5Ω~15Ω

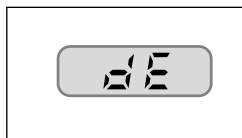
NO →

Replace the STATOR ASSEMBLY

↓ **YES** ↓

Replace the MAIN PWB ASSEMBLY

Door does not open

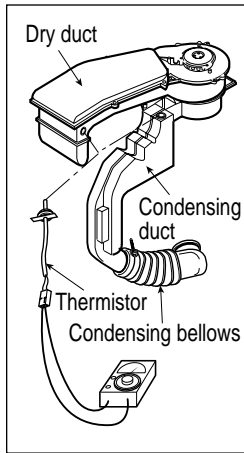


Is 「 dE 」 Displayed?

YES →

Check switch Assembly, Door lock connector and Main PWB ASSEMBLY (Blue, 3pin)

[dHE] ERROR DISPLAY



Is the resistance of 2 thermistors on condensing duct and dry duct $2.5k\Omega \sim 180k\Omega$ (at $105^{\circ}\text{C} \sim 0^{\circ}\text{C}$)

NO

Replace the thermistor.

• 6322FR2046A : □
Condensing Duct

• 6322FR2046B :
Dry Duct

YES

CHECK FOR DRY HEATER TROUBLE

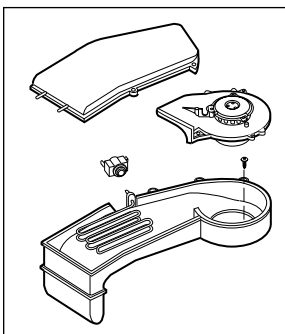
CHECK FOR DRY FAN MOTOR TROUBLE

Disassemble the cabinet cover and condensing bellows.
Is there any foreign object in condensing bellows.

YES

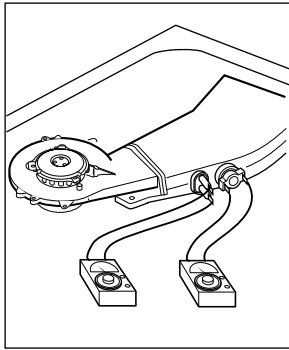
Clean the bellows

NO



Disassemble the dry fan assy and dry duct upper, and clean foreign object in duct and fan.

DRY HEATER TROUBLE



After power off, is the resistance of dry heater 10 ~ 40Ω?

NO

Replace the dry heater.

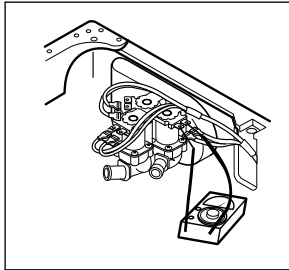
YES

Is thermostat closed?

NO

Replace the thermostat.

YES

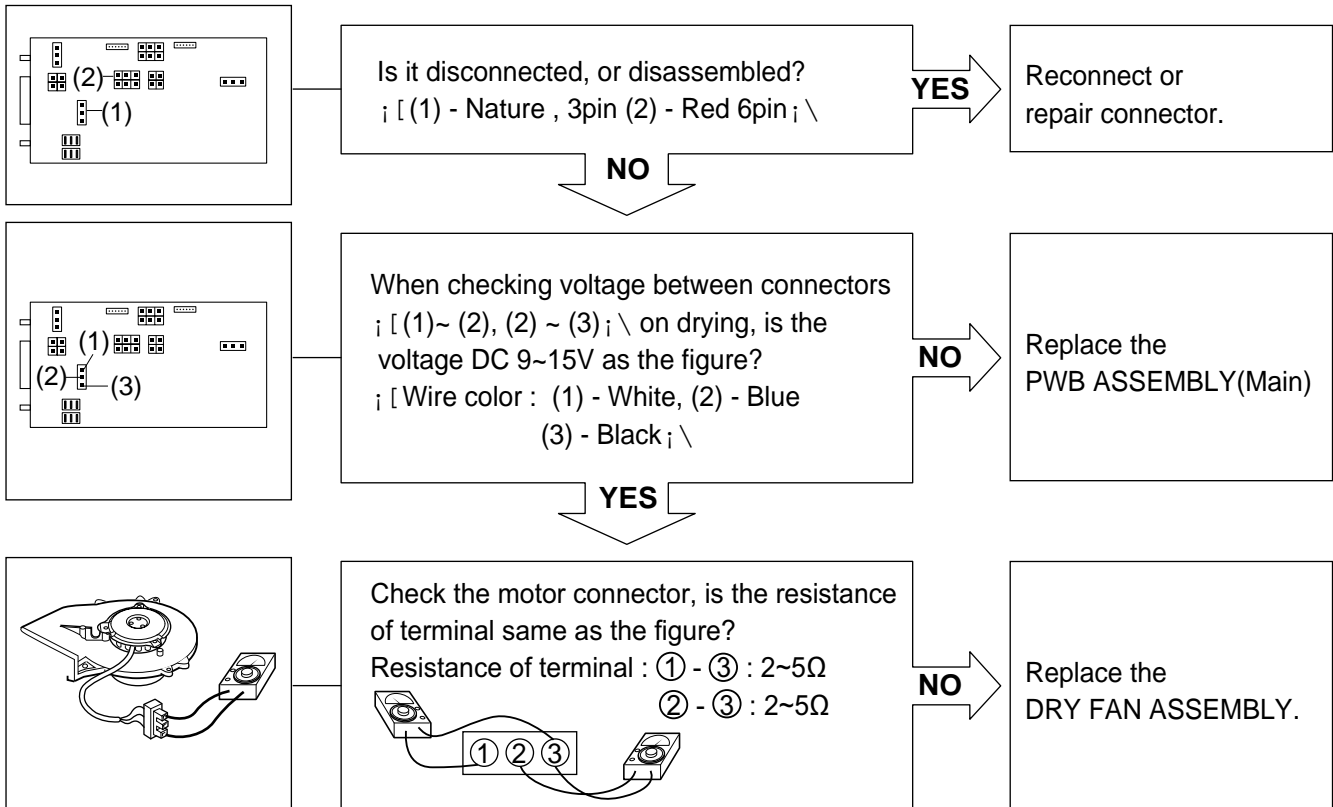


When checking voltage between connectors (① , ②) on drying, is the voltage AC 120V as the figure?
(Wire color : ① - Red, ② - Blue)

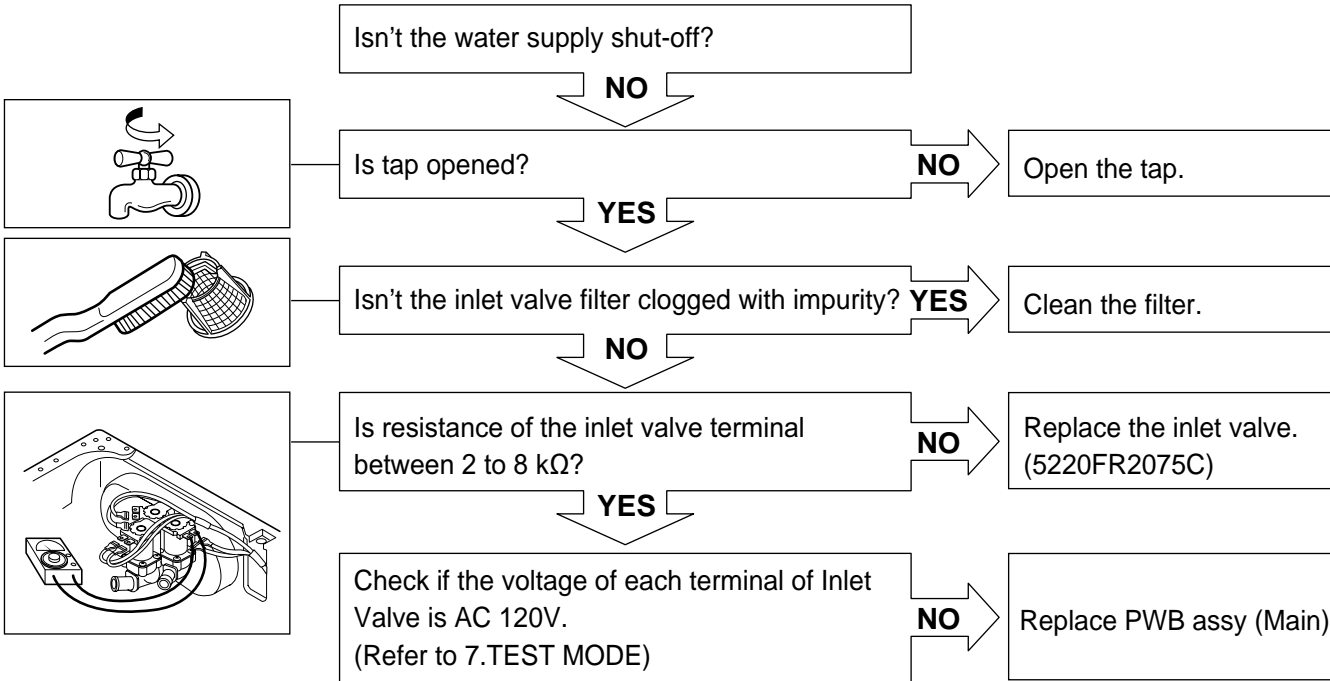
NO

Replace the PWB assy (Main)

DRY FAN MOTOR TROUBLE



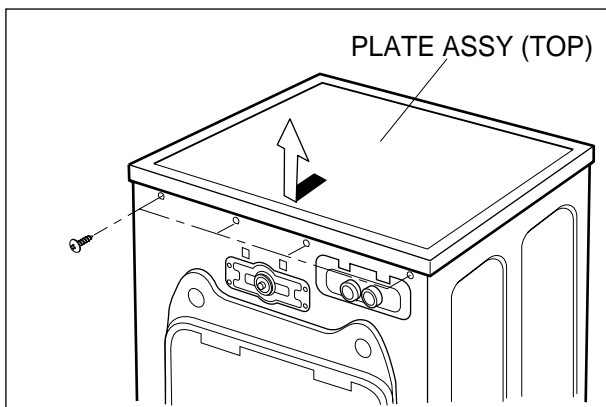
LOT OF VAPOR IN DRAWER WHEN DRYING



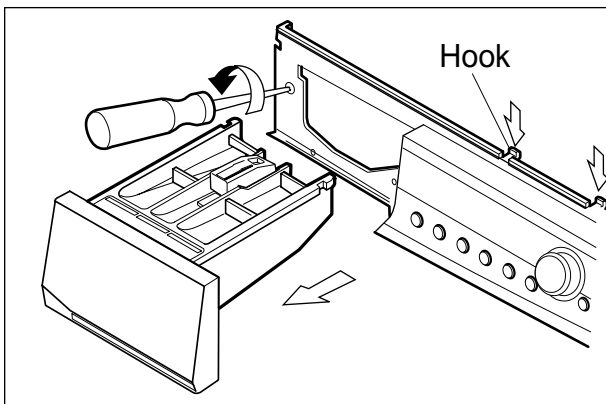
9. DISASSEMBLY INSTRUCTIONS

fR Disassemble and repair the parts after pulling out power cord from the outlet.

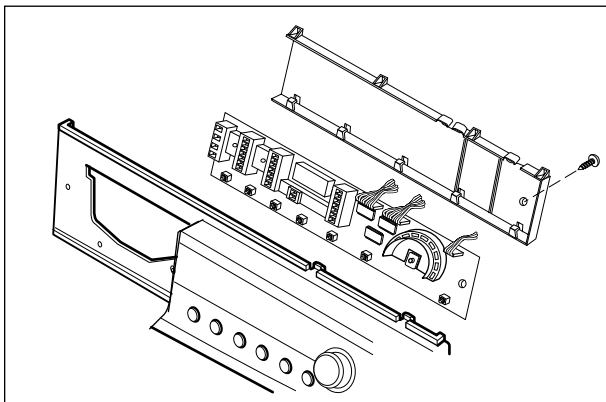
CONTROL PANEL



- ✎L Unscrew the 2 screws on the top plate.
- ✎M The PLATE ASSEMBLY (Top) is pulled back and then upward to arrow direction.
- ✎N The cover (Inner) is disassembled.

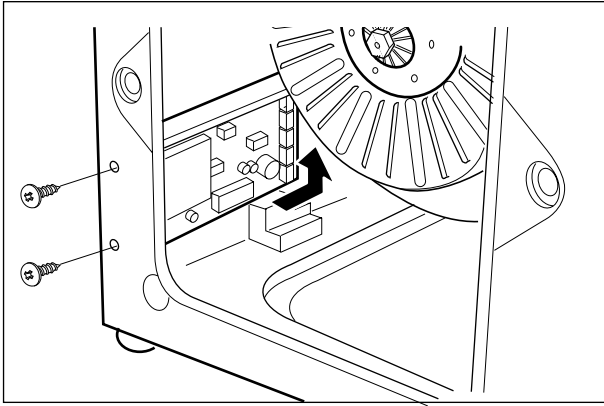


- ✎L The PWB ASSEMBLY (Display) connectors are disconnected.
- ✎M Pull out drawer, three screws are unscrewed.
- ✎N Press two upper hooks and pull the control panel forward.



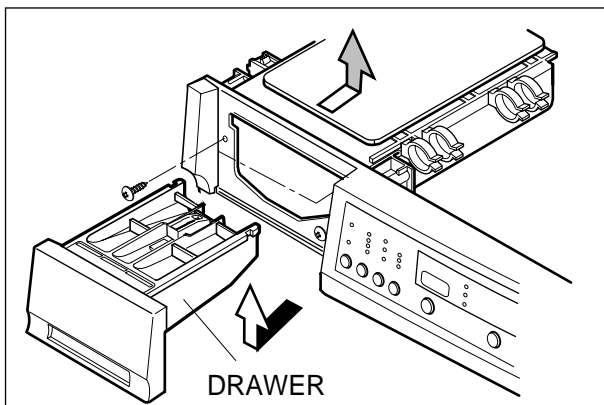
- ✎L The PWB assembly (Display) is disconnected.
- ✎M When 1 screws are unscrewed on the PWB insulator and the PWB assembly (Display) is disassembled from the PWB insulator.

PWB ASSEMBLY (POWER)

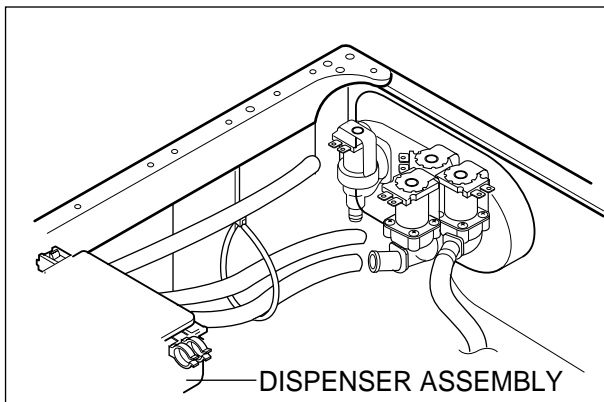


- ℥L The back cover is removed.
- ℥M Two screws are unscrewed.
- ℥N Disconnect connector from the wiring.
- ℥O Pull the PWB ASSEMBLY (Main) to arrow direction.

DISPENSER ASSEMBLY

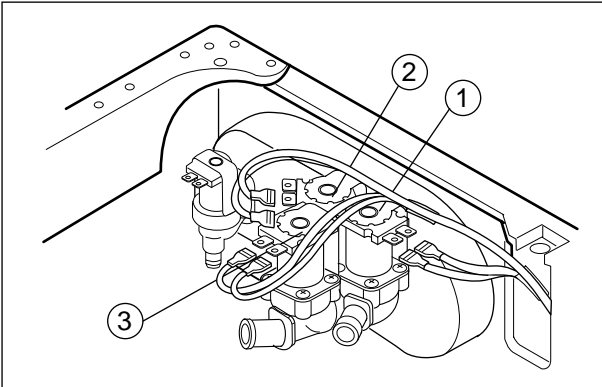


- ℥L The PLATE ASSEMBLY (Top) and the cover (Inner) are disassembled.
- ℥M Pull the drawer to arrow direction.
- ℥N Two screws are unscrewed.



- ℥L The hose clamps (6EA) and the hose are disassembled.
- ℥M The ventilation bellows are disassembled on the tub.

INLET VALVE



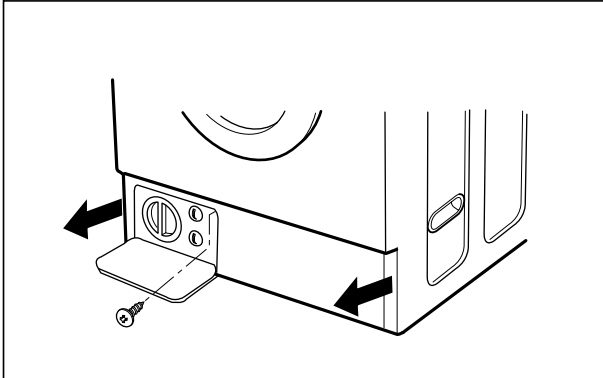
✂L Disconnect the wiring connector.

✂M Remove the valve by two screws of the valve holder.

fT When reconnecting the connector

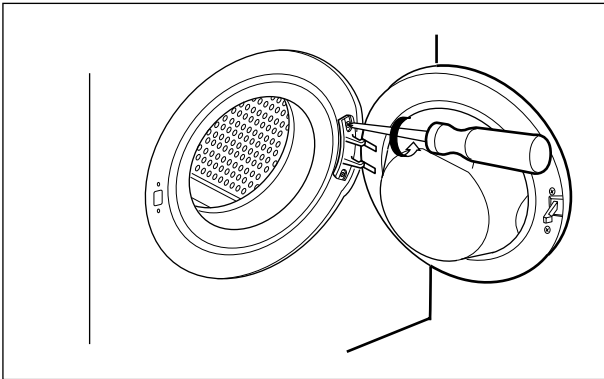
VALVE ✂L (DRY)	YL/BK - BK
VALVE ✂M (LIQUID BLEACH)	GY/WH - BK
VALVE ✂N (NORMAL-WASH)	WH/BK - BK
VALVE (HOT)	BL/RD - BK

COVER LOWER



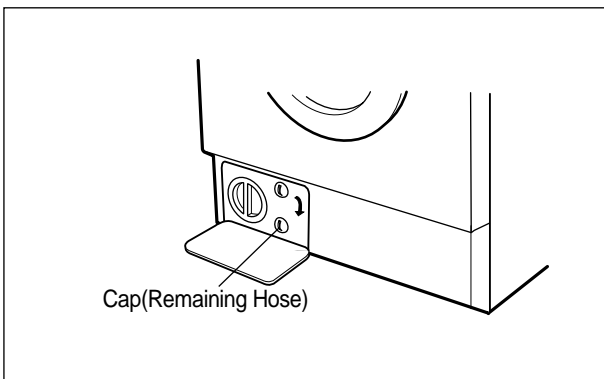
✂L Remove the lower cover to arrow direction after one screw is unscrewed.

DOOR



☒L Open the door completely.

☒M Remove the two screws from the hinge.



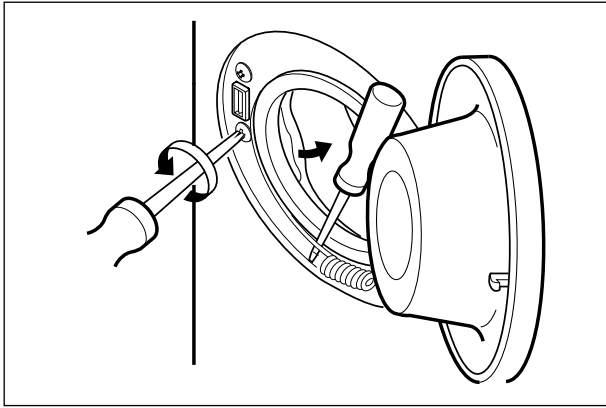
Removing method of remained water

☒L Rotate the Cap(Remaining Hose) to arrow direction.

☒M Pull it out from hose.

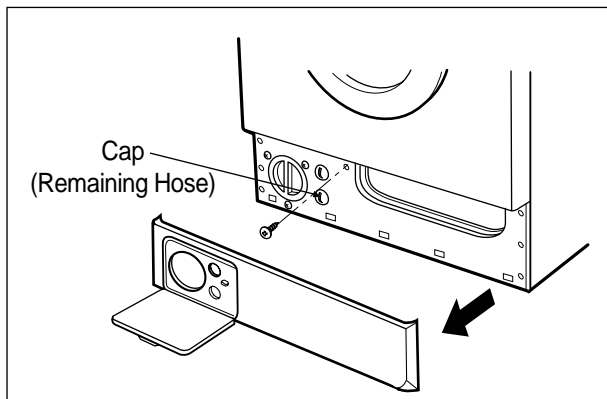
i First, prepare a bucket to put in the remained water.

GASKET ASSEMBLY



¥L The cabinet gasket clamp is released.

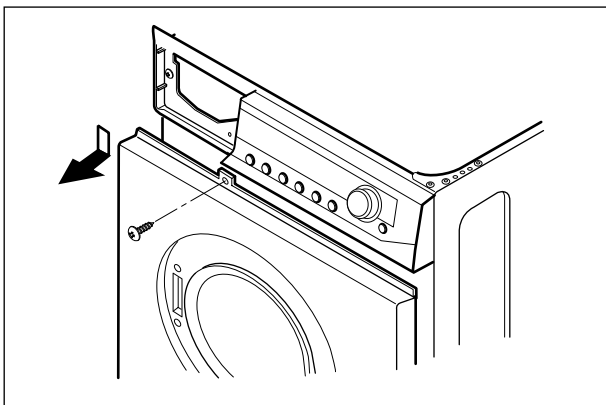
¥M Two screws are unscrewed from the cabinet cover.



¥L One screw is unscrewed from the lower cover.

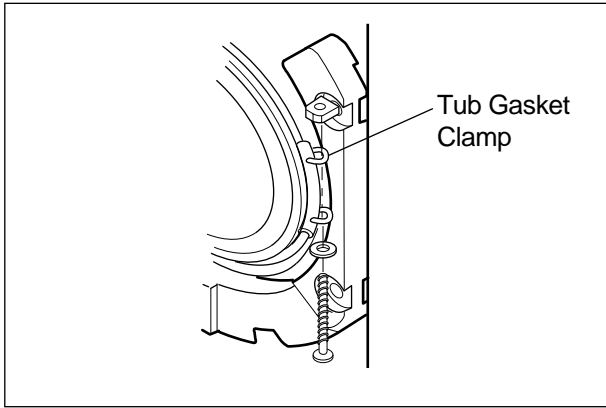
¥M The lower cover is disassembled by pulling out.

¥N Three screws are unscrewed from the cabinet.

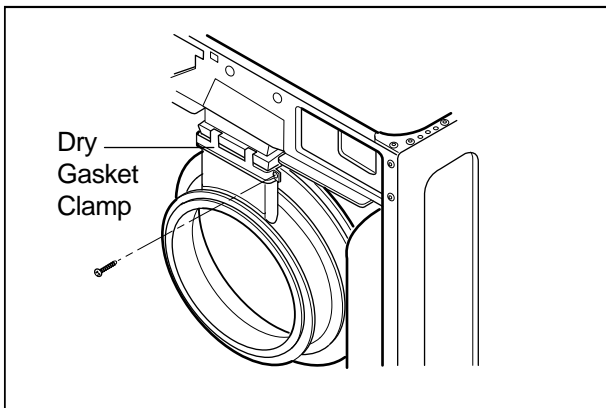


¥L The control panel is removed.

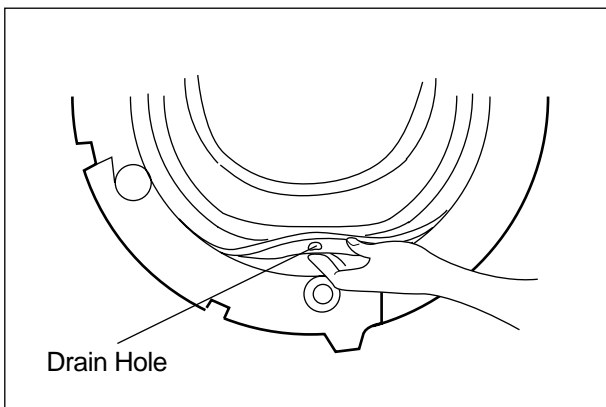
¥M Screw is unscrewed from the cabinet cover.



✕L Remove tub gasket clamp by loosening the screw.

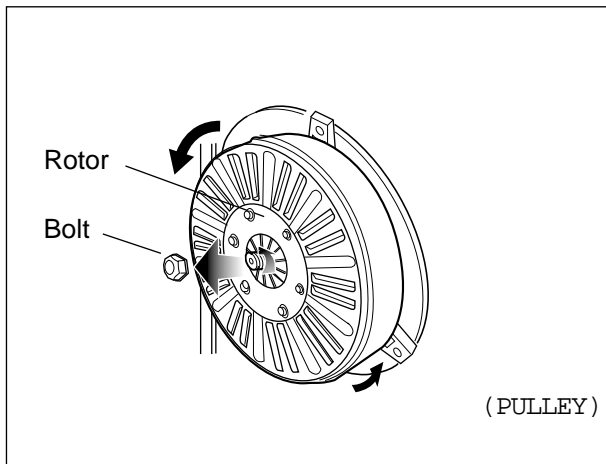


✕L Remove dry gasket clamp by loosening the screw.



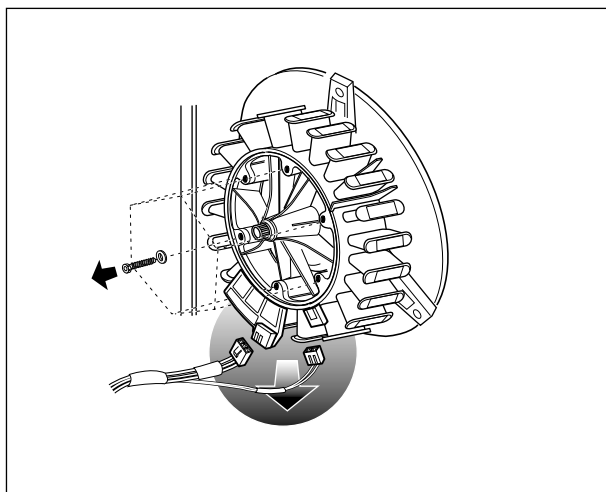
✕L When reassembling the gasket, put the drain hole of the gasket downward, then assemble.

PULLEY, MOTOR, DAMPER



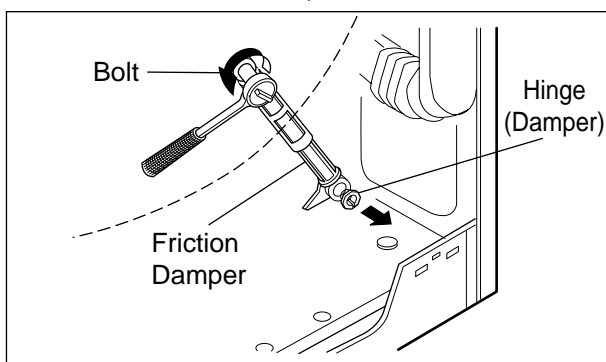
✎L Remove the back cover.

✎M After loosening the bolt, Rotor, pull out the rotor.



✎L Remove the 6 bolt from the stator.

✎M Disconnect the 2 connectors.

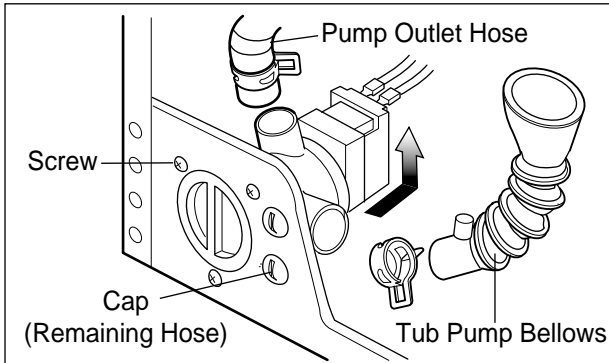


✎L Remove the bolts at the Tub.

✎M The Hinge (Damper) at the base is pulled off pressing on the snaps at the sharp end.

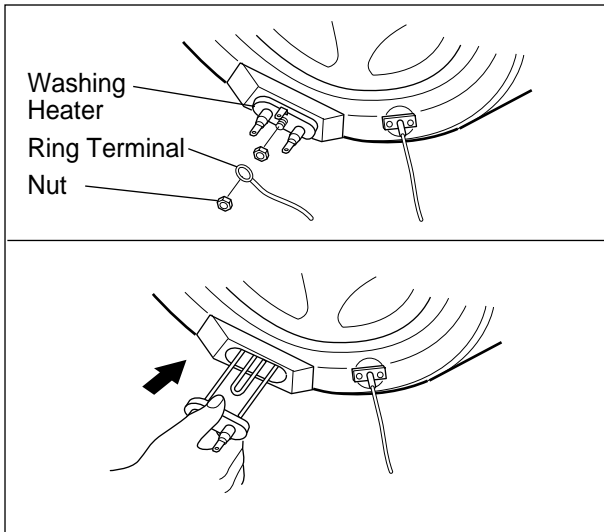
✎N The hinge at the base is pulled off. (To arrow direction)

PUMP



- ¥L Remove pump outlet hose.
- ¥M Remove tub pump bellows.
- ¥N Remove cap (Remaining Hose).
- ¥O Disconnect the wiring.
- ¥P Three screws are unscrewed from the cabinet.
- ¥Q Remove the pump to arrow direction.

HEATER

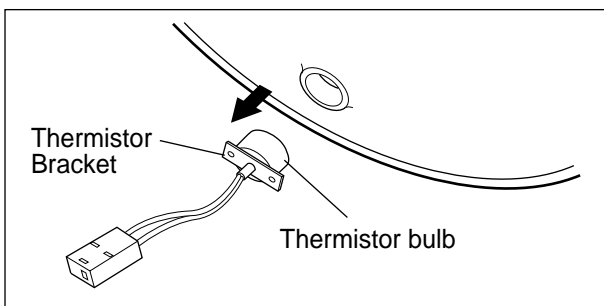


- ¥L Loosen the nut.
- ¥M Remove washing heater by pulling out.

CAUTION

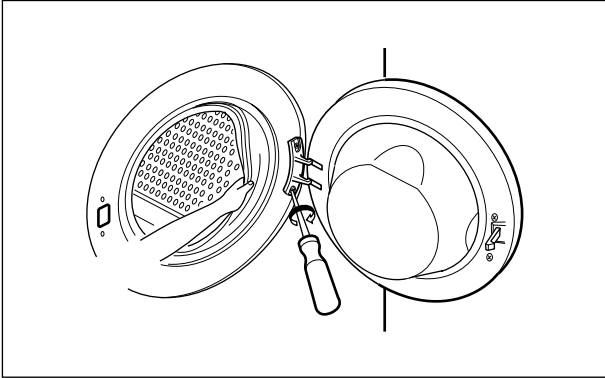
When assembling the washing heater, insert the heater to heater clip on the bottom of tub.

THERMISTOR



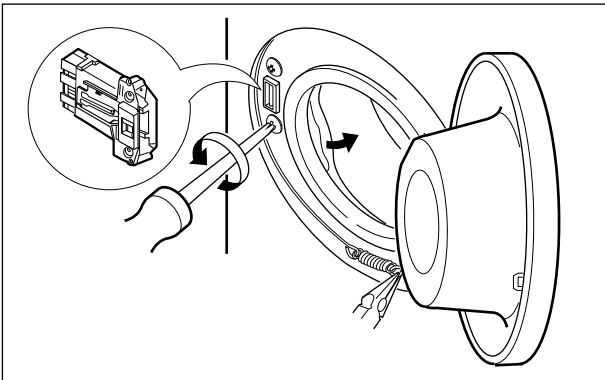
- ¥L Pull it out by holding the thermistor bracket.
- f*T If holding the wire and pulling out it, it may be broken.

DOOR HINGE ASSEMBLY



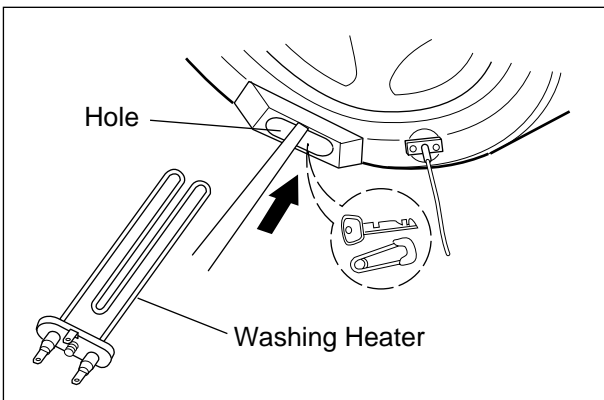
- ✚L Two screws are unscrewed on the door and the door is disassembled.
- ✚M The cabinet cover clamp is removed and the gasket is released.
- ✚N Two screws are unscrewed on the door hinge.
- ✚O The door hinge is disassembled by pushing the door hinge arm inside the cabinet cover.

SWITCH ASSEMBLY, DOOR LOCK



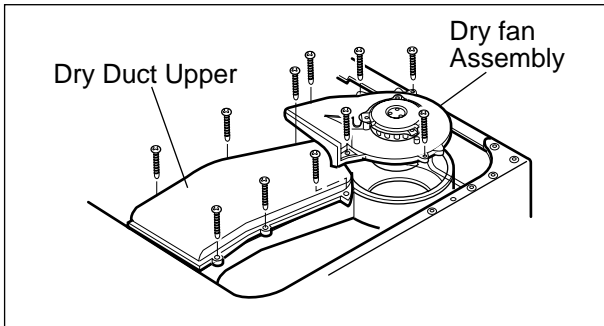
- ✚L The cabinet cover clamp is removed and the gasket is released.
- ✚M Two screws are unscrewed.
- ✚N The door lock S/W is disconnected from the wiring connector and the strap.

WHEN FOREIGN OBJECT STUCK BETWEEN DRUM AND TUB



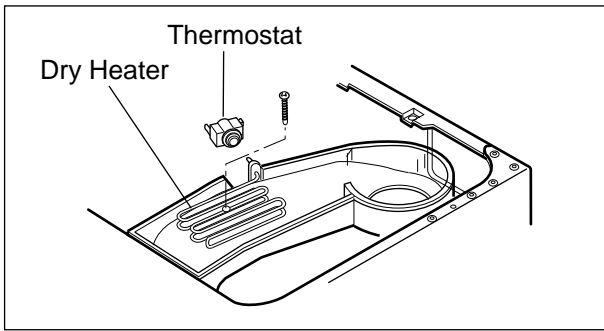
- ✚L Remove washing heater.
- ✚M Remove the foreign object(wire, coin, etc) by inserting long bar in the hole.

DRY DUCT



✂L Remove 5 screws and dry fan assembly.

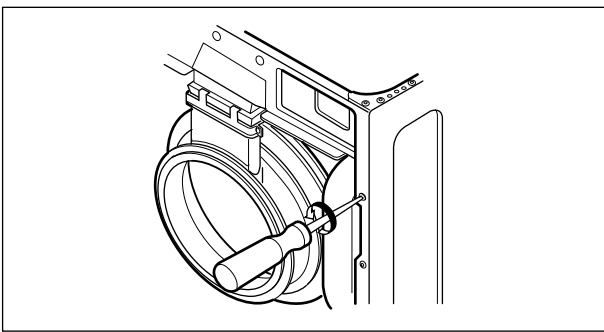
✂M Remove 6 screws and dry duct upper.



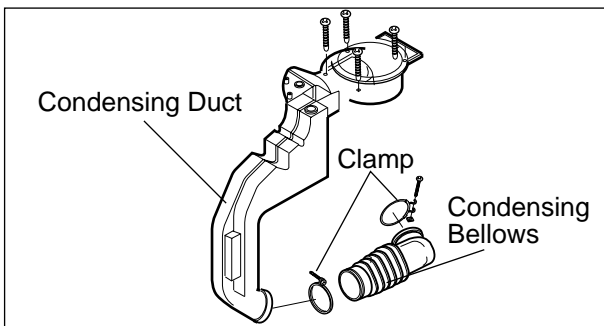
✂L Remove 1 screw and dry heater.

✂M Remove thermostat.

CONDENSING DUCT



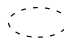

✂L Remove 2 screws from cabinet.

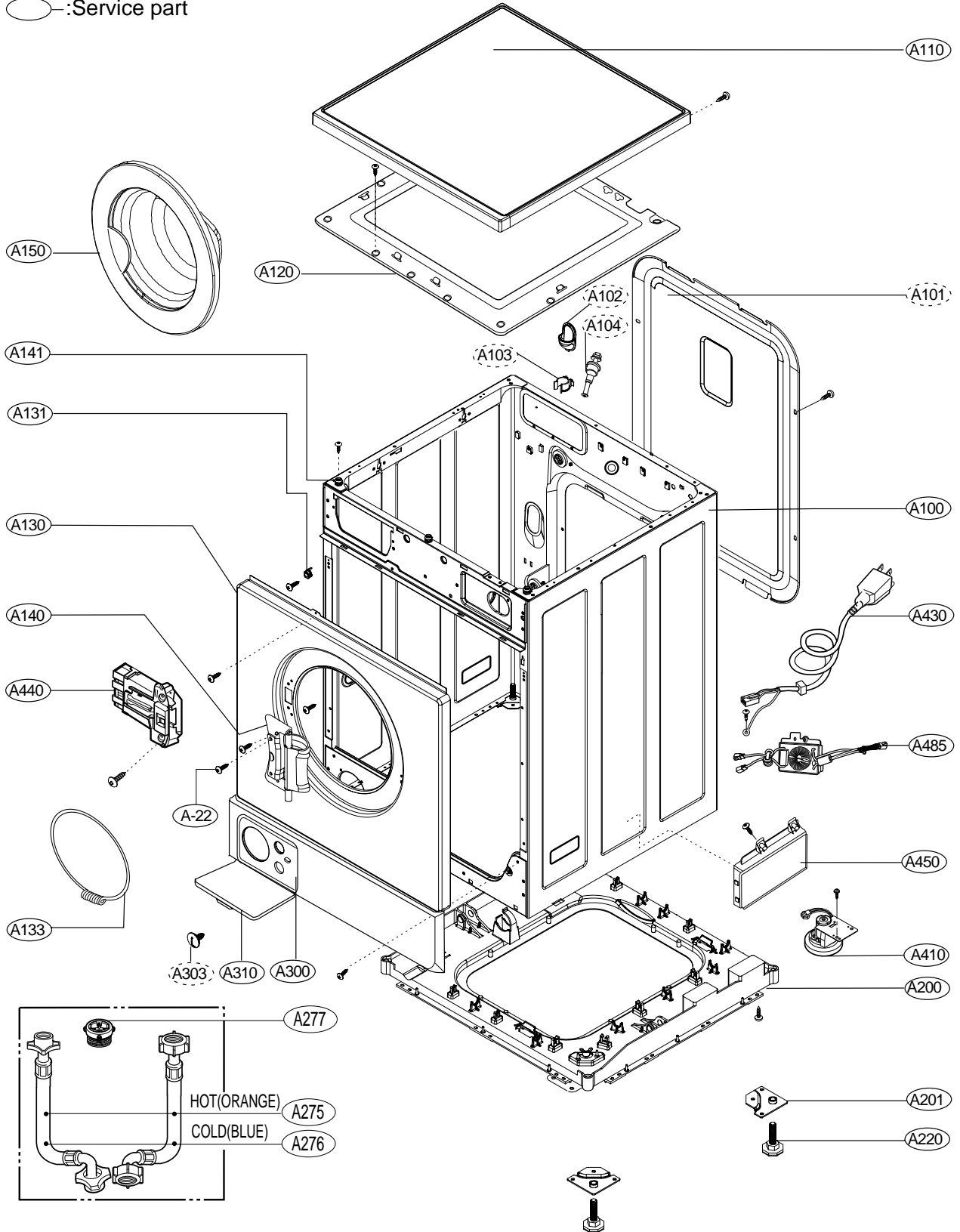


✂L Remove clamp and condensing duct.

10. EXPLODED VIEW AND PART LIST

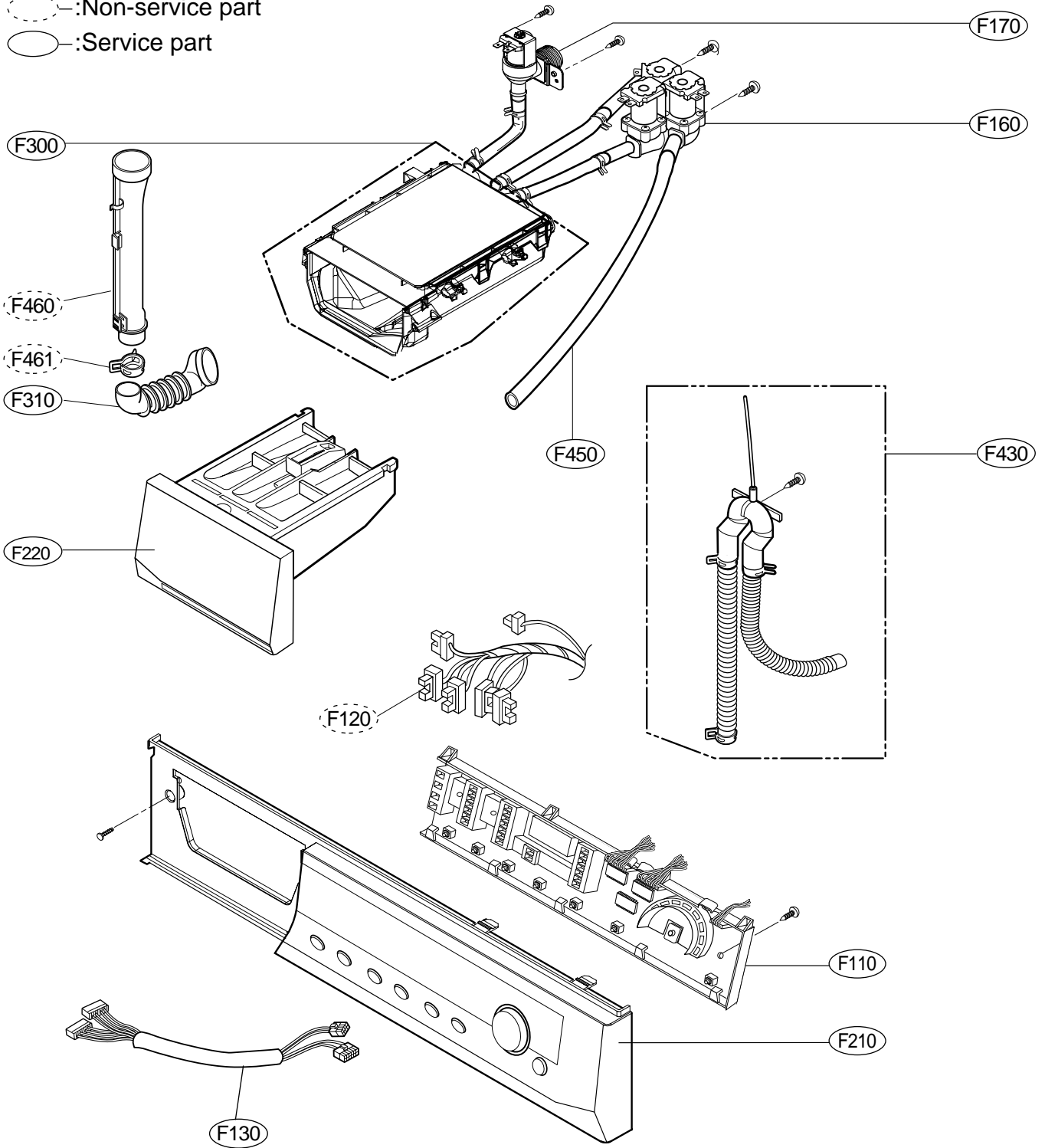
10-1. THE PART LIST OF CABINET ASSEMBLY

-  : Non-service part
-  : Service part



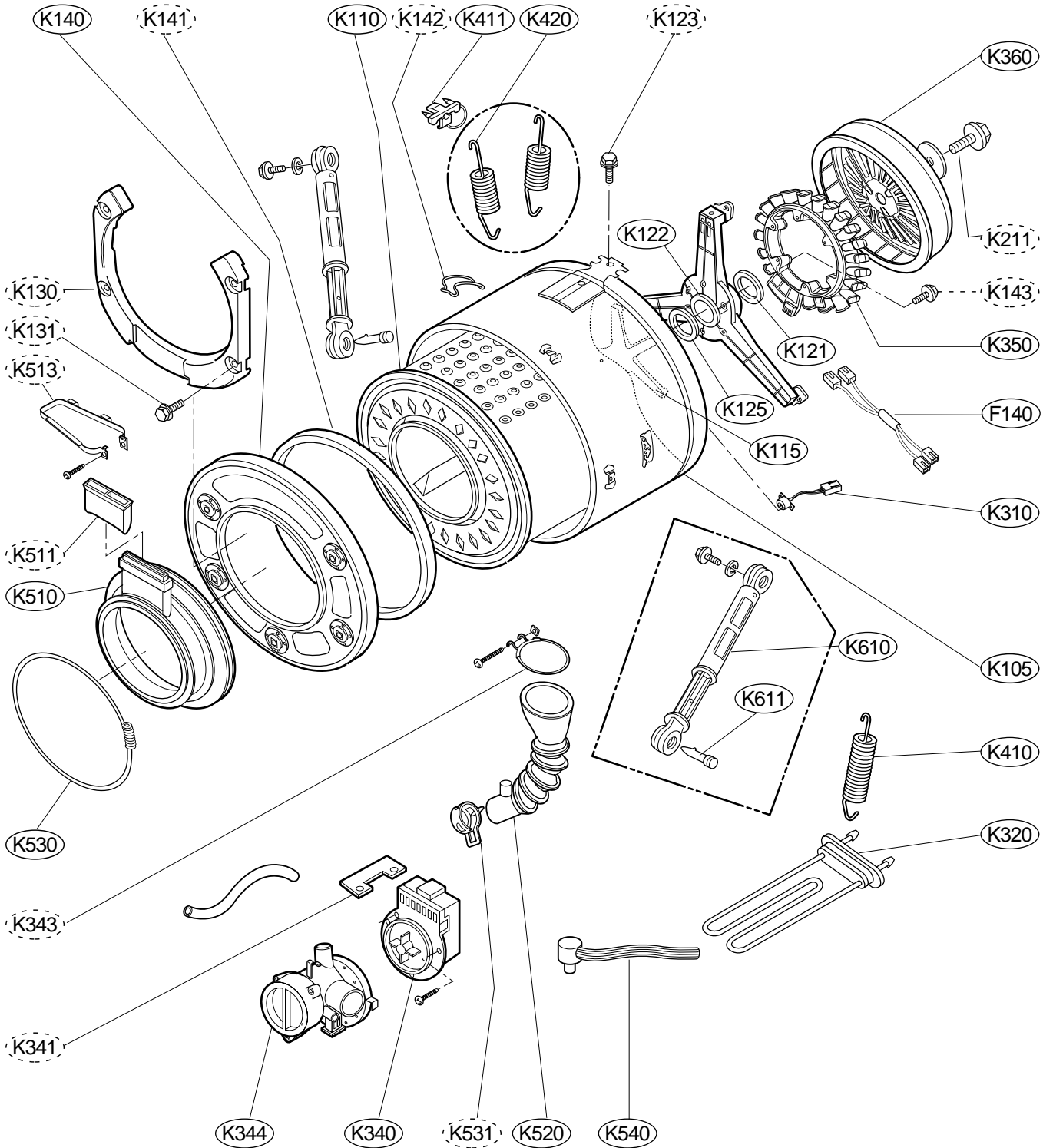
10-2 THE EXPLODED VIEW OF CONTROL PANEL & DISPENSER ASSEMBLY

○: Non-service part
○: Service part



10-3 THE EXPLODED VIEW OF DRUM & TUB ASSEMBLY

○: Non-service part
 ○: Service part



10-4 THE EXPLODED VIEW OF DRYER

○:Non-service part

○:Service part

