



# PAPER SHREDDER

## *Personal Series*



MODELS  
DM65C

### PRODUCT USAGE GUIDE

	DM65C
Sheet capacity*:	7
Shred type:	Confetti
Shred size:	5/32" x 1-3/8"
Entry width:	9"
Recommended use:	25-50 shredding passes per day
Maximum running time:	10-12 min. on/20 minutes off

\*Sheet capacity measured with 20 lb., 8-1/2" x 11" paper with the shredder operating at rated voltage. Different paper weights, humidity, and electrical currents will affect capacity.

PLEASE READ AND SAVE THIS MANUAL WITH YOUR ORIGINAL RECEIPT  
Customer Service: 1-800-955-0959

USE AND CARE MANUAL

## IMPORTANT SAFEGUARDS

### **⚠ WARNING**

- NEVER insert hands or fingers into paper entry as serious personal injury may result.
- THIS MACHINE IS NOT A TOY. Keep children and pets away from shredder AT ALL TIMES as serious injury may result. Always unplug shredder when not in use.
- Keep loose objects (jewelry, ties, long hair) away from shredder. These items and others like them may cause serious injury if they accidentally fall into the paper entry.

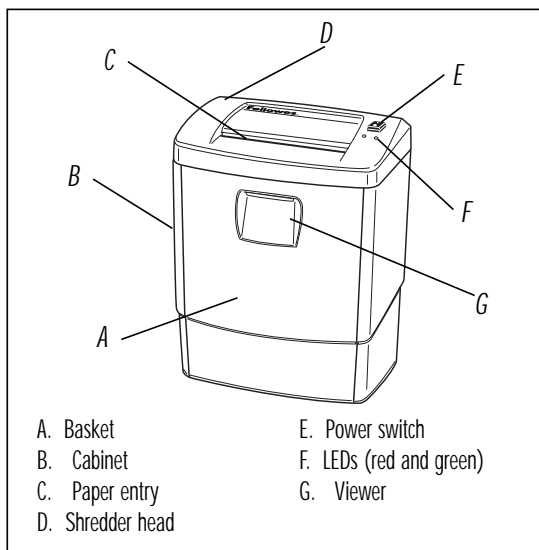
### **⚠ CAUTION**

- Confetti cut shredders contain sharp edges on the underside of the machine. Use caution when positioning the shredder head onto the basket.
- Do not exceed recommended sheet capacity or usage.
- Do not shred plastic (except credit cards), continuous forms, adhesive labels, transparencies, newsprint, or cardboard.
- This personal shredder is intended for paper only. Do not attempt to shred large paper clips or other hard materials (except staples and small paper clips).
- Use only the power supply recommended on the product label.
- Do not place shredder near or over a heat source or water.
- Always turn off and unplug unit before moving or cleaning and when not in use.
- Do not insert aerosol cleaners into or around the shredder. Some agents may combust, causing serious injury.
- Never use flammable synthetic oil, petroleum-based or aerosol lubricants to oil the cutting blades. Some agents may combust, causing serious injury. Use only a recommended oil in a non-aerosol container. See "MAINTENANCE."
- Do not use this product if it or the cord has been damaged in any way.
- Do not open the cover for any reason. Doing so can expose you to dangerous voltages and will void your warranty.

#### Power Cord Care

- Place power cord in an easily accessible position, because it is the main disconnect switch.
- Do not place machine where adults, children or animals may walk on the cord.
- Do not rest anything on the power cord.
- If an extension cord is used, be sure that all products plugged into the extension cord do not exceed the extension cord ampere rating.

## PARTS OF THE SHREDDER



## ASSEMBLY

**NOTE:** This shredder will operate only when used with the supplied basket. The supplied basket has a built-in safety feature which prevents the shredder from operating if used with any other basket or if improperly assembled.

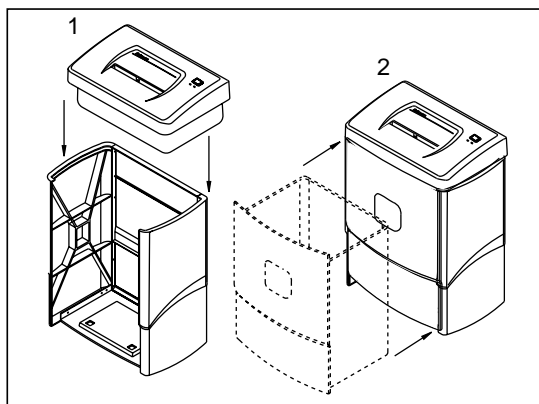
To assemble shredder:

### **⚠ CAUTION**

Confetti cut shredders contain sharp edges on the underside of the shredder head. Use caution when positioning the shredder head onto the basket.

1. Position shredder head over cabinet. Place shredder head into top of cabinet as shown in Figure 1.
2. Firmly push down on four corners of shredder head to "lock" shredder head into position.
3. Push basket into shredder cabinet as shown in Figure 1. Push basket front in firmly so edges of basket/cabinet are aligned properly.

**NOTE:** To disassemble, pull out basket, place foot on bottom of cabinet, and firmly pull up on shredder head.



## OPERATION

---

---

---

**⚠ WARNING** This product features an auto-start sensor. This sensor will turn on the cutting blades whenever anything is inserted into the paper entry (while the power switch is in the AUTO position). For the safety of pets and children, we recommend always moving the power switch to OFF and unplugging whenever the shredder is unattended or not in use.

1. Assemble shredder (see "ASSEMBLY").
2. Remove any large paper clips or other foreign objects (except staples and small paper clips) from paper. If folding paper to fit paper entry, adjust sheet capacity appropriately.

**⚠ CAUTION** Do not attempt to shred large paper clips or other hard materials (except staples and small paper clips) with this machine. Extensive use of large paper clips or other hard materials will result in damage to the cutting system and will void the manufacturer's warranty.

3. Be sure power switch is in OFF (O) position. Plug shredder into proper power supply outlet.
4. Move power switch to AUTO (I) position. When the unit is turned on and in standby mode (green LED lights), the shredder is ready to be fed paper through the paper entry. (See "TROUBLESHOOTING" if red LED is lit.)

**⚠ WARNING** NEVER insert hands or fingers into paper entry as serious personal injury may result.

**⚠ CAUTION** Do not exceed recommended sheet capacity (see "Product Usage Guide" on front cover of this manual).

5. Slide paper straight into paper entry until the shredder automatically begins shredding. The shredder automatically stops a few seconds after shredding is complete. Continue shredding as desired to a MAXIMUM shredding time of 10-12 minutes. At this time, the machine MUST be allowed to "cool down" for a MINIMUM of 20 minutes. (See "Cool-Down Cycle" for more information.) If the shredder jams or shuts off before the maximum shredding time, see "Clearing a Jam" section for further instructions.
6. Move power switch to OFF (O) position when shredding is complete.
7. Unplug power cord from outlet whenever shredder is unattended or not in use.
8. Look through viewer to see if basket is full. If full, pull out basket and empty basket contents. Replace basket into cabinet.

### Cool-Down Cycle

This shredder is protected with a special safety feature which prevents the motor from overheating with extensive use. *When shredding is attempted beyond the machine's maximum running time, the shredder will automatically shut off its motor until it has cooled to an acceptable operating level.* This is normal and the shredder will return to operation after the cool-down or "off" period. See "Product Usage Guide" on front panel for maximum running time and related cooling of "off" time.

### Clearing a Jam

If the shredder sheet capacity is exceeded or paper is not put in straight, a jam may result. See "Product Usage Guide" on front panel for maximum sheet capacity for your shredder. In the case of a jam,

the shredder's red LED will light and the shredder will automatically stop until the jam is cleared.

*To clear a jam:*

1. Move the power switch to the REVERSE (R) position. (NOTE: If waste basket is full, empty it before clearing jam.) The shredder will reverse the paper to clear the jam.
2. If the shredder jams in reverse, move the power switch to AUTO (I) and allow to run for about five seconds. If jam does not clear, move power switch to REVERSE (R) again and allow to run for about five seconds. Repeat this procedure until the jam is cleared. If necessary, use care to grasp the paper carefully and pull out to clear the jam.
3. Once the jam is cleared, move the power switch to AUTO (I) for continued shredding or OFF (O) if shredding is complete.

## MAINTENANCE

---

---

---

Confetti-cut shredders require regular (monthly) oiling of the cutting blades to maintain proper operation. Failure to oil the blades regularly could result in reduced sheet capacity performance, excessive noise during operation, paper jams and possibly shredder failure.

We recommend using only Powershred Lubricant #35250 (available by contacting Fellowes) or a vegetable-based oil (such as corn or canola) in a non-aerosol container with an extension nozzle.

**⚠ CAUTION** Never use flammable synthetic oil, petroleum-based, or aerosol lubricants to oil the cutting blades. Some agents may combust, causing serious injury.

*To oil the cutting blades:*

1. From the top of the shredder, squeeze the recommended lubricant across the full width of the blades.
2. Move the power switch to AUTO (I) position and allow the blades to run at least 3 seconds.
3. Move the power switch to REVERSE (R) position and allow it to run for at least 3 seconds.
4. Repeat steps 2-3 above at least 3 times.

## TROUBLESHOOTING

Shredder will not operate.	<ul style="list-style-type: none"> <li>a. Shredder is not plugged in.</li> <li>b. Power switch is in the OFF (O) position. Move switch to AUTO (I) position.</li> <li>c. Shredder is jammed. See "Clearing a Jam" section.</li> <li>d. Shredder has exceeded the maximum run time and requires a "cool-down" time. See "Product Usage Guide" on front panel.</li> <li>e. Shredder is not assembled properly. See "Assembly."</li> </ul>
Shredder makes a loud squeaking or rubbing noise.	<ul style="list-style-type: none"> <li>a. Cutting blades need to be oiled REGULARLY. See "MAINTENANCE" section.</li> </ul>
Shredder suddenly stops while shredding.	<ul style="list-style-type: none"> <li>a. Shredder has exceeded the maximum run time and requires a "cool-down" time. See "Product Usage Guide" on front panel.</li> <li>b. Shredder is jammed. See "OPERATION - Clearing a Jam."</li> </ul>
Shredder shreds less than capacity.	<ul style="list-style-type: none"> <li>a. Cutting blades need to be oiled REGULARLY. See "MAINTENANCE" section.</li> </ul>
Red LED is lit.	<ul style="list-style-type: none"> <li>a. Shredder is not assembled properly. See "ASSEMBLY."</li> <li>b. Paper is jammed. See "OPERATION - Clearing a Jam."</li> </ul>
Shredder runs for a few seconds after the paper has cleared the cutters.	<ul style="list-style-type: none"> <li>a. This is normal. The shredder runs a few seconds longer than the paper in order to keep the cutters clear of paper particles and reduce the chances of a jam.</li> </ul>

## LIMITED WARRANTY

Fellowes warrants all the cutting cylinders of the machine to be free of defects in material and workmanship for 5 years from the date of purchase by the original consumer. Fellowes warrants all other parts of the machine to be free of defects in material and workmanship for 1 year from the date of purchase by the original consumer. If any part is found to be defective during the warrant period, your sole and exclusive remedy will be repair or replacement, at Fellowes' option and expense, of the defective part.

This warranty does not apply in cases of abuse, mishandling or unauthorized repair. ANY IMPLIED WARRANTY, INCLUDING THAT OF MERCHANTABILITY OR FITNESS FOR A PARTICULAR PURPOSE, IS HEREBY LIMITED IN DURATION TO THE APPROPRIATE WARRANTY PERIOD SET FORTH ABOVE.

In no event shall Fellowes be liable for any consequential or incidental damages attributable to this product. This warranty gives you specific legal rights. You may have other legal rights that vary from state to state. For more detail or to obtain service under this warranty, please contact Fellowes Customer Service at 1-800-955-0959, Monday through Friday, 8 AM - 5 PM (Central Standard Time). For specific instructions on obtaining service under this warranty on machines purchased outside the USA, contact the appropriate location listed in the Contact for Service section of this instruction manual.

Warrantor: Fellowes Manufacturing Company.

Customer Service 1-800-955-0959

[www.fellowes.com](http://www.fellowes.com)

# Fellowes®

1789 Norwood Avenue • Itasca, Illinois 60143-1095  
630-893-1600

Australia	Benelux	Canada	France	Germany	Italy	Japan	Poland	United Kingdom
Tullamarine, Vic	Vianen, NL	Markham, Ont.	Rennes, I-V	Garbsen, Han.	Camerano, AN	Tokyo	Warsaw	Doncaster, S. Yorks.