



BINKS® SG-2 PLUS™ 2 QT. PRESSURE CUPS MODEL NO. 80-600 (STANDARD) MODEL NO. 80-601^ (WITH OSCILLATING AGITATOR)

INTRODUCTION

Binks SG-2 Plus™ Pressure Cup is ideal for component spraying and industrial applications where small batch production spraying is required. The 2 qt. capacity is sufficient to complete large spray jobs without refilling the cup. Its lightweight and rugged construction is excellent for portability allowing the operator to make fluid and air control adjustments quickly and efficiently at the spray station.

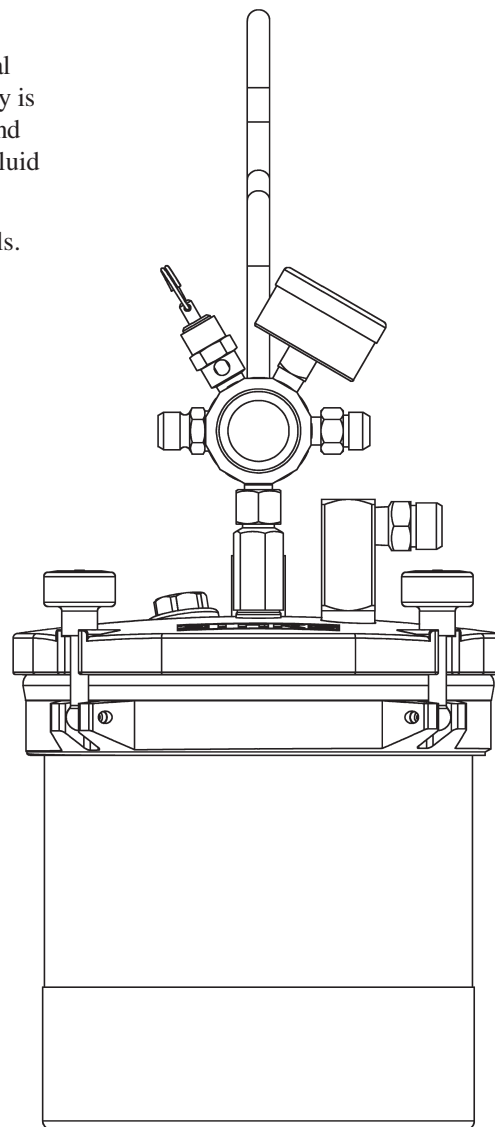
The internal construction is designed for waterborne and solvent base materials.

Other features include:

- Stainless steel pick-up tube, fluid fittings and removable plastic liner makes it corrosion resistant.
- “Wide-mouth” opening allows easy cleaning, plastic liner removal and quick color change.
- Positive grip carrying handle for operator comfort.
- Wide stainless steel base for stability and corrosion resistance.
- 0-10 psig fluid pressure range.
- Optional 0-50 psig pressure kit (80-619) available for high viscosity fluids.
- Fluid agitator on model 80-601 for paints requiring continuous agitation.
- Silverstone® coating on interior and exterior of lid.

SPECIFICATIONS

MAX. WORKING PRESSURE	50 psig	3.5 KG/cm ²
OVERALL HEIGHT	15 11/16 in.	39.88 cm
BASE DIAMETER	6 in.	15.24 cm
DIA. ACROSS CLOSED CLAMPS.	8 1/16 in.	20.47 cm
DIA. ACROSS OPEN CLAMPS	8 1/16 in.	20.47 cm
AIR INLET & OUTLET CONNECTION SIZE . . .	1/4 NPS (m)	--
FLUID OUTLET CONNECTION SIZE	3/8 NPS (m)	--
FLUID CAPACITY	2 Qts. (U.S)	1.9 Liters
WEIGHT		
STANDARD UNIT	4 lb. 14 oz.	2.21 kg.
UNIT WITH AGITATOR	5 lb. 7 oz.	2.47 kg.



MODEL NO. 80-600 (Standard)

⚠ WARNING

All air and fluid pressure in the system must be relieved before servicing the cup and before cup is filled or cleaned. Attempting to service the cup while pressurized could result in damage to components or personal injury.

▲ Oscillating agitator model is available from Binks distributors only.

In this part sheet, the words **WARNING**, **CAUTION** and **NOTE** are used to emphasize important safety information as follows:

WARNING

Hazards or unsafe practices which could result in severe personal injury, death or substantial property damage.

CAUTION

Hazards or unsafe practices which could result in minor personal injury, product or property damage.

NOTE

Important installation, operation or maintenance information.

WARNING

Read the following warnings before using this equipment.



READ THE MANUAL

Before operating finishing equipment, read and understand all safety, operation and maintenance information provided in the operation manual.



OPERATOR TRAINING

All personnel must be trained before operating finishing equipment.



EQUIPMENT MISUSE HAZARD

Equipment misuse can cause the equipment to rupture, malfunction, or start unexpectedly and result in serious injury.



LOCK OUT / TAG-OUT

Failure to de-energize, disconnect, lock out and tag-out all power sources before performing equipment maintenance could cause serious injury or death.



AUTOMATIC EQUIPMENT

Automatic equipment may start suddenly without warning.



PRESSURE RELIEF PROCEDURE

Always follow the pressure relief procedure in the equipment instruction manual.



KEEP EQUIPMENT GUARDS IN PLACE

Do not operate the equipment if the safety devices have been removed.



KNOW WHERE AND HOW TO SHUT OFF THE EQUIPMENT IN CASE OF AN EMERGENCY



WEAR SAFETY GLASSES

Failure to wear safety glasses with side shields could result in serious eye injury or blindness.



INSPECT THE EQUIPMENT DAILY

Inspect the equipment for worn or broken parts on a daily basis. Do not operate the equipment if you are uncertain about its condition.



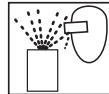
NEVER MODIFY THE EQUIPMENT

Do not modify the equipment unless the manufacturer provides written approval.



NOISE HAZARD

You may be injured by loud noise. Hearing protection may be required when using this equipment.



PROJECTILE HAZARD

You may be injured by venting liquids or gases that are released under pressure, or flying debris.



PINCH POINT HAZARD

Moving parts can crush and cut. Pinch points are basically any areas where there are moving parts.



STATIC CHARGE

Fluid may develop a static charge that must be dissipated through proper grounding of the equipment, objects to be sprayed and all other electrically conductive objects in the dispensing area. Improper grounding or sparks can cause a hazardous condition and result in fire, explosion or electric shock and other serious injury.



WEAR RESPIRATOR

Toxic fumes can cause serious injury or death if inhaled. Wear a respirator as recommended by the fluid and solvent manufacturer's Material Safety Data Sheet.



TOXIC FLUID & FUMES

Hazardous fluid or toxic fumes can cause serious injury or death if splashed in the eyes or on the skin, inhaled, injected or swallowed. LEARN and KNOW the specific hazards of the fluids you are using.



FIRE AND EXPLOSION HAZARD

Improper equipment grounding, poor ventilation, open flame or sparks can cause a hazardous condition and result in fire or explosion and serious injury.



MEDICAL ALERT

Any injury caused by high pressure liquid can be serious. If you are injured or even suspect an injury:

- Go to an emergency room immediately.
- Tell the doctor you suspect an injection injury.
- Show the doctor this medical information or the medical alert card provided with your airless spray equipment.
- Tell the doctor what kind of fluid you were spraying or dispensing.



GET IMMEDIATE MEDICAL ATTENTION

To prevent contact with the fluid, please note the following:

- Never point the gun/valve at anyone or any part of the body.
- Never put hand or fingers over the spray tip.
- Never attempt to stop or deflect fluid leaks with your hand, body, glove or rag.
- Always have the tip guard on the spray gun before spraying.
- Always ensure that the gun trigger safety operates before spraying.



PROP 65 WARNING

WARNING: This product contains chemicals known to the State of California to cause cancer and birth defects or other reproductive harm.

IT IS THE RESPONSIBILITY OF THE EMPLOYER TO PROVIDE THIS INFORMATION TO THE OPERATOR OF THE EQUIPMENT. FOR FURTHER SAFETY INFORMATION REGARDING THIS EQUIPMENT, SEE THE GENERAL EQUIPMENT SAFETY BOOKLET (77-5300).

Binks reserves the right to modify equipment specification without prior notice.

SETUP AND OPERATION

Refer to "TYPICAL INSTALLATION" drawing below

Set up the SG-2 Plus™ with the CONVENTIONAL or HVLP gun along with at least 5 ft. of air and fluid hose.

Attach air hose from extractor to air inlet on handle of steady-grip assembly. Pour paint into canister with liner. Re-attach lid to canister and firmly tighten four knobs over canister lid. Set air pressure from air regulator mounted on extractor and fluid pressure by adjusting fluid pressure adjustment knob on cup handle.

CAUTION

Do not exceed 100 PSIG input air pressure into the cup. Excessive pressure could damage components.

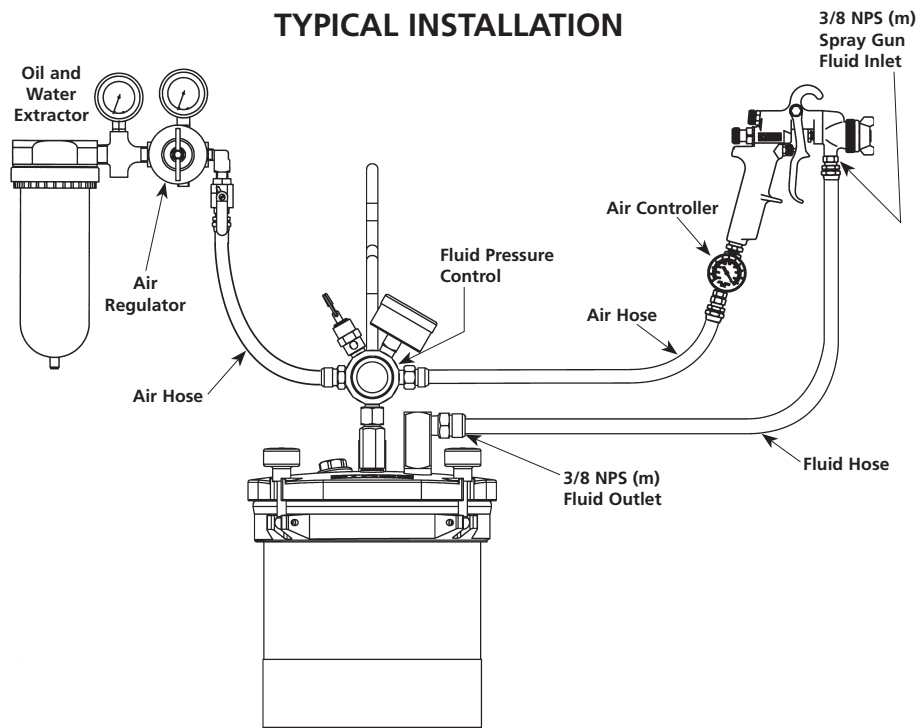
WARNING

Chlorinated solvents and aluminum are incompatible and will cause an adverse chemical reaction, possibly resulting in bodily injury. Under **NO** circumstances should chlorinated solvents be used with the "SG2 Plus" pressure cup with agitator (80-601). With the standard "SG2 Plus" pressure cup, use chlorinated solvents only when using plastic liner (80-356).

NOTE

Before refilling canister with paint, shut off air supply to the cup and release pressure from canister by rotating pressure relief knob counterclockwise.

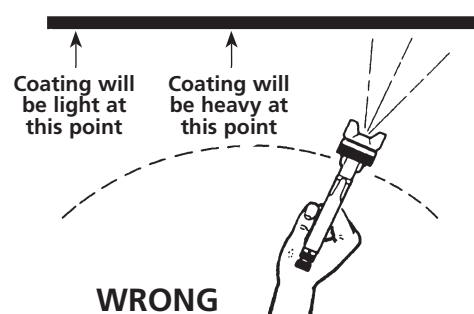
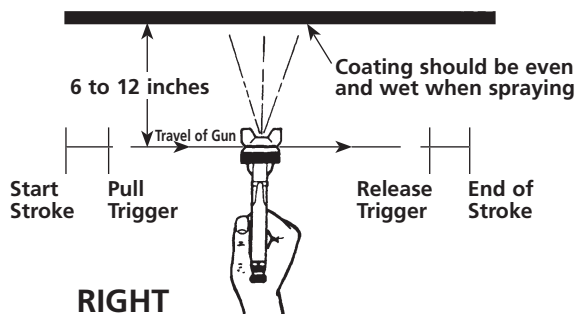
TYPICAL INSTALLATION



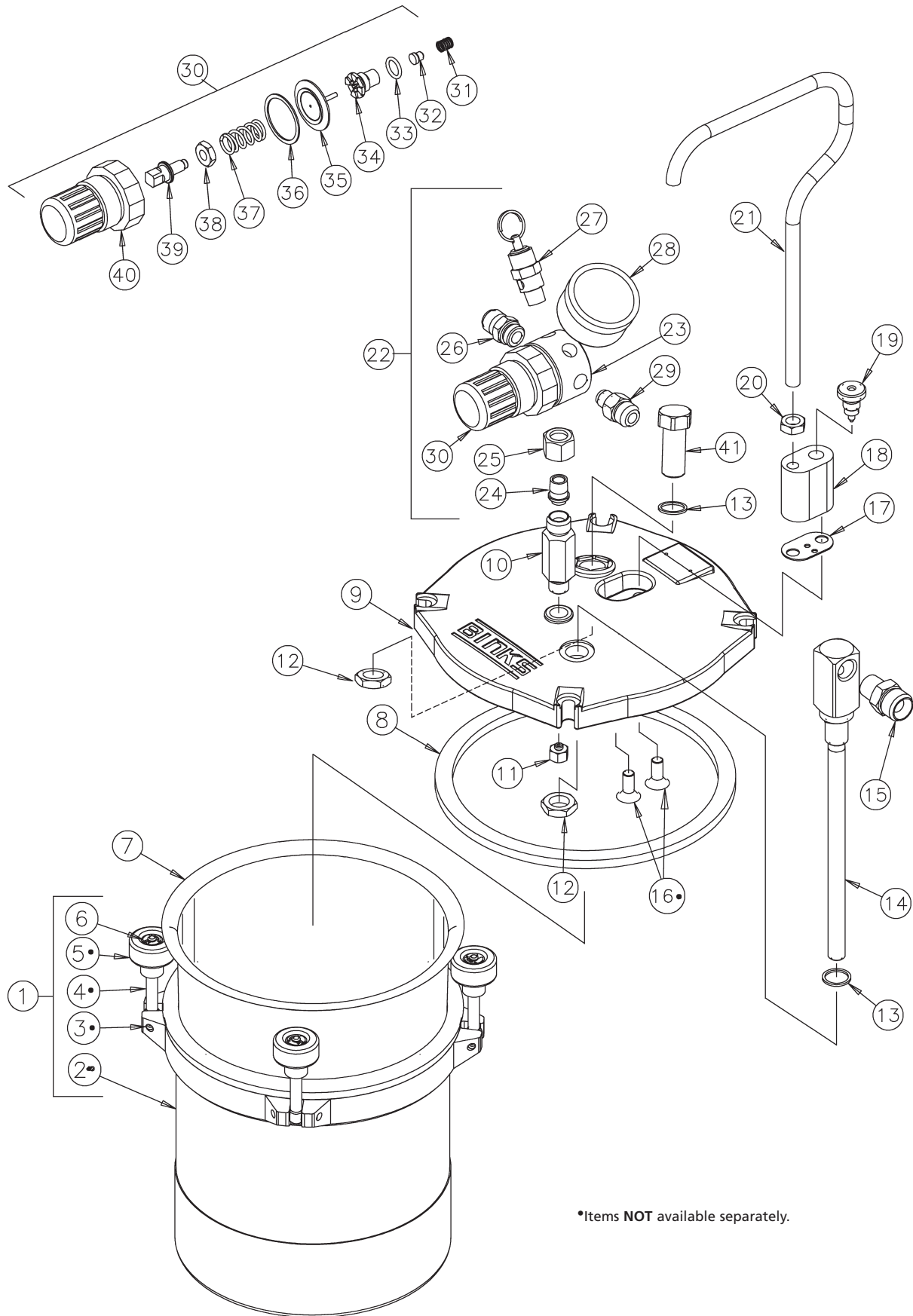
SPRAY TECHNIQUE

The first requirement for a good resultant finish is the proper handling of the gun. The gun should be held perpendicular to the surface being covered and moved parallel with it. The stroke should be started before the trigger is pulled, and the trigger should be released before the stroke is ended.

This gives accurate control of the gun and material. The distance between the gun and surface should be 6 to 10 inches depending on material and atomizing pressure. The material deposited should always be even and wet. Lap each stroke over the preceding stroke to obtain a uniform finish.



MODEL 80-600 SG-2 PLUS™ PRESSURE CUP (Standard)



*Items NOT available separately.

MODEL 80-600 SG-2 PLUS™ PRESSURE CUP (Standard)

PARTS LIST

(When ordering, please specify Part No.)

ITEM NO.	PART NO.	DESCRIPTION	QTY.	ITEM NO.	PART NO.	DESCRIPTION	QTY.
1	80-375	2 QT CANISTER ASM	1	26	54-308	AIR CONNECTION	1
2	80-376+	2 QT CANISTER SUB-ASM	1	27	TIA-4326*	SAFETY VALVE	1
3	20-4870+○	SPIROL PIN	4	28	59-299	GAUGE, 15 PSI	1
4	80-381+○	CANISTER KNOB SWIVEL	4	29	71-28	DM NIPPLE, 1/8 NPT X 1/4 NPS ...	1
5	80-380+○	CANISTER KNOB	4	30	85-437*◇	REGULATOR KIT, 15 PSI	2
6	80-382+○	RETAINING RING	4	31	—▲□	VALVE SPRING	1
7	80-355●	DISPOSABLE LINER	1	32	—▲□	VALVE, PTFE	1
8	80-392*	LID GASKET	1	33	—▲□	O-RING	1
9	80-602	COVER MACHINING	1	34	—▲□	VALVE SEAT	1
10	80-606	CHECK VALVE ASM	1	35	—▲□	DIAPHRAGM	1
11	80-610	DIFFUSER	1	36	—▲□	VALVE SPRING	1
12	80-389	FLUID TUBE NUT	2	37	—▲	REGULATING SPRING	1
13	80-388*	FLUID TUBE SEAL	2	38	—▲	NUT	1
14	80-613	FLUID TUBE ASM	1	39	—▲	STEM	1
15	83-2484	DM NIPPLE, 1/4 NPT X 3/8 NPS ...	1	40	—▲	BONNET	1
16	20-6582	SCREW	2	41	80-616	TOP OUTLET PLUG	1
17	80-373*	HANDLE GASKET	1				
18	80-604	MANIFOLD	1				
19	80-12	RELIEF VALVE	1				
20	20-353-1	JAM NUT, 5/16-18	1				
21	80-605	HANDLE	1				
22	85-449	REGULATOR ASM (15# gauge)	1				
23	85-436	REGULATOR BODY	1				
24	72-104	TAIL PIECE	1				
25	72-93	SWIVEL NUT, 1/4 NPS	1				

- * Part of 80-617 Pressure Cup Repair Kit
+ Part of 80-375 2Qt Canister Assy.
○ Part of 80-390 Knob Replacement Kit
● Available only as a quantity pack (See Accessories, 80-356, below)
◇ Used in 85-449 Regulator Assembly
▲ Part of 85-437 Regulator Kit (NOT available separately)
□ Part of KK-4887-2 Regulator Repair Kit

ACCESSORIES

(Not furnished, please order separately.)

PART NO.	DESCRIPTION	QTY.
80-356	CANISTER LINER QTY. PACK OF 80-355	12/pk.
HAV-500	AIR ADJUSTING VALVE	1
HAV-501	AIR ADJUSTING VALVE W/GAUGE	1

80-617 PRESSURE CUP REPAIR KIT

(LOW PRESSURE – 10# SPRING)

PART NO.	DESCRIPTION	QTY.
85-437	REGULATOR KIT, (10# SPRING)	1
80-373	HANDLE GASKET	1
80-388	FLUID TUBE SEAL	2
80-392	LID GASKET	1
TIA-4326	SAFETY VALVE	1

80-619 HIGH PRESSURE CONVERSION KIT

PART NO.	DESCRIPTION	QTY.
59-369	GAUGE, (60 PSI)	1
85-438	REGULATOR KIT, (50# SPRING)	1
85-243	SAFETY VALVE	1

Binks STEADI-GRIP2 OUTFIT

HVLP GUN OUTFITS

98-1263 OUTFIT

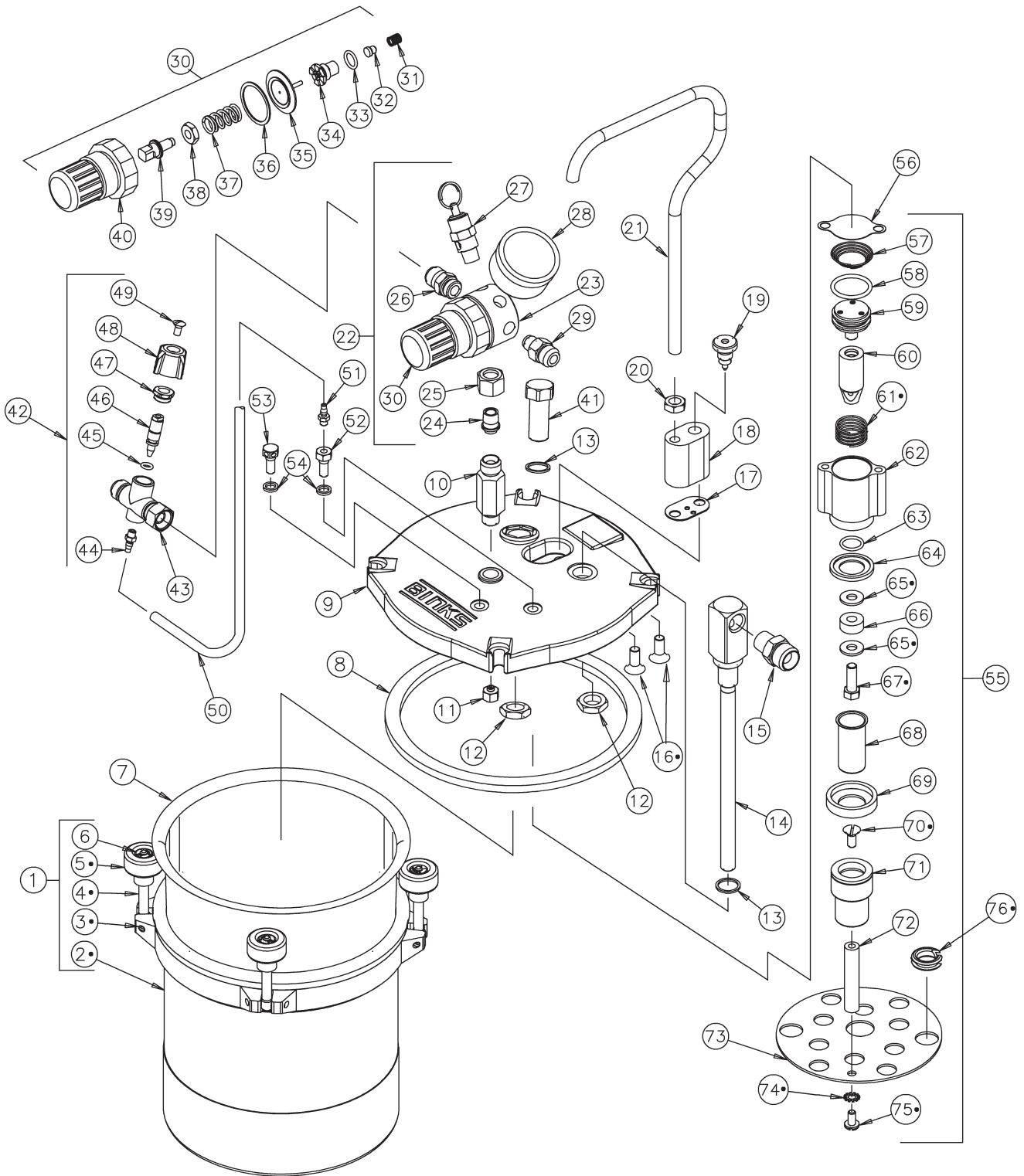
MACH 1SL Gun with Standard cup
consisting of:

- ▶ 80-600 STEADI-GRIP 2 QT. PRESSURE POT (Std.).
- ▶ HAV-501 AIR FLOW CONTROLLER,
Mounted on gun inlet.
- ▶ MACH 1SL HANDGUN with 92 FLUID NOZZLE
by 94P AIRCAP ASSEMBLY.
- ▶ 71-1201 AIR HOSE, 3/8" x 5' Long.
- ▶ 71-3380 FLUID HOSE, 1/4" x 5' Long.

NOTE

To convert to High Pressure Kit (0-50 psig), see page 8.

MODEL 80-601 SG-2 PLUS™ PRESSURE CUP WITH OSCILLATING AGITATOR



*Items NOT available separately.

MODEL 80-601 SG-2 PLUS™ PRESSURE CUP WITH OSCILLATING AGITATOR

PARTS LIST

(When ordering, please specify Part No.)

ITEM NO.	PART NO.	DESCRIPTION	QTY.	ITEM NO.	PART NO.	DESCRIPTION	QTY.
1	80-375	2 QT CANISTER ASM	1	44	81-307 ■	BARBED CONNECTOR	1
2	80-376+	2 QT CANISTER SUB-ASM	1	45	20-3236 ■*	O-RING	1
3	20-4870+○†	SPIROL PIN	4	46	82-747 ■	STEM	1
4	80-381+○†	CANISTER KNOB SWIVEL	4	47	73-44 ■	NUT	1
5	80-380+○†	CANISTER KNOB	4	48	73-46 ■	CAP	1
6	80-382+○	RETAINING RING	4	49	20-2606 ■	SCREW 8-32 x 3/8" Oval Hd	1
7	80-355•	DISPOSABLE LINER (See 80-356 below)	1	50	54-3929	TUBE 6-1/2 " Nylon	1
8	80-392*	LID GASKET	1	51	81-307	BARBED CONNECTOR	1
9	80-603	COVER MACHINING	1	52	82-728	INLET FITTING	1
10	80-606	CHECK VALVE ASM	1	53	82-729	EXHAUST FITTING	1
11	80-610	DIFFUSER	1	54	82-730 ✕	GASKET	2
12	80-389	FLUID TUBE NUT	2	55	80-611	SG2 PLUS OSCILLATING AGITATOR ASSY ..	1
13	80-388*	FLUID TUBE SEAL	2	56	82-727 ✕	CYLINDER GASKET	1
14	80-613	FLUID TUBE ASM	1	57	82-720 ✕	CONICAL SPRING	1
15	83-2484	DM NIPPLE, 1/4 NPT X 3/8 NPS	1	58	20-5845 ✕	O-RING	1
16	20-6582+	SCREW	2	59	82-714 ✕	PISTON ASSEMBLY	1
17	80-373*	HANDLE GASKET	1	60	82-779	PISTON ROD	1
18	80-604	MANIFOLD	1	61	82-721 ✕†	COMPRESSION SPRING	1
19	80-12	RELIEF VALVE	1	62	82-711	CYLINDER ASSEMBLY	1
20	20-353-1	JAM NUT, 5/16-18	1	63	20-3753 ✕	O-RING	1
21	80-605	HANDLE	1	64	82-776 ✕	CAN SEAL	1
22	85-449	REGULATOR ASM (15# gauge)	1	65	82-777	INNER RING	1
23	85-436	REGULATOR BODY	1	66	82-753	INNER MAGNET	1
24	72-104	TAIL PIECE	1	67	20-6022†	SCREW 1/4-28 x 3/4" Hex Hd	1
25	72-93	SWIVEL NUT, 1/4 NPS	1	68	82-775 ✕	CAN	1
26	54-308	AIR CONNECTION	1	69	82-778	CAN RETAINER	1
27	TIA-4326	SAFETY VALVE*	1	70	20-6023†	SCREW 12-24 x 1/2" Flat Hd	1
28	59-299	GAUGE, 15 PSI	1	71	82-770	OUTER MAGNET ASSEMBLY	1
29	71-28	DM NIPPLE, 1/8 NPT X 1/4 NPS	1	72	80-406	OSCILLATING AGITATOR POST	1
30	85-437*◇	REGULATOR KIT, 15 PSI	2	73	80-615	OSCILLATING AGITATOR PLATE	1
31	—▲□	VALVE SPRING	1	74	20-2530†	#10 EXTERNAL STAR WASHER	1
32	—▲□	VALVE, PTFE	1	75	20-5832†	SCREW 10-32 x 3/8" Pan Hd	1
33	—▲□	O-RING	1	76	20-6790✕†	GROMMET	1
34	—▲□	VALVE SEAT	1				
35	—▲□	DIAPHRAGM	1				
36	—▲□	VALVE SPRING	1				
37	—▲	REGULATING SPRING	1				
38	—▲	NUT	1				
39	—▲	STEM	1				
40	—▲	BONNET	1				
41	80-616	TOP OUTLET PLUG	1				
42	82-740	AIR CONTROL VALVE ASSEMBLY	1				
43	82-745 ■	VALVE BODY ASSEMBLY	1				

- * Part of 80-617 Pressure Cup Repair Kit
- + Part of 80-375 2Qt Canister Assy.
- Part of 80-390 Knob Replacement Kit
- Part of 82-740 Air Control Valve Assembly
- ◇ Used in 85-449 Regulator Assembly
- ▲ Part of 85-437 Regulator Kit
- Part of KK-4887-2 Regulator Repair Kit
- ✕ Part of 80-612 Oscillating Agitator Repair Kit

ACCESSORIES

(Not furnished, please order separately.)

PART NO.	DESCRIPTION	QTY.
80-356	CANISTER LINER QTY. PACK OF 80-355	12/pk.
HAV-500	AIR ADJUSTING VALVE	1
HAV-501	AIR ADJUSTING VALVE W/GAUGE	1

80-617 PRESSURE CUP REPAIR KIT

(LOW PRESSURE – 10# SPRING)

PART NO.	DESCRIPTION	QTY.
85-437	REGULATOR KIT, (10# SPRING)	1
80-373	HANDLE GASKET	1
80-388	FLUID TUBE SEAL	2
80-392	LID GASKET	1
TIA-4326	SAFETY VALVE	1

80-619 HIGH PRESSURE CONVERSION KIT

PART NO.	DESCRIPTION	QTY.
59-369	GAUGE, (60 PSI)	1
85-438	REGULATOR KIT, (50# SPRING)	1
85-243	SAFETY VALVE	1

80-612 OSCILLATING AGITATOR REPAIR KIT

(Model 80-601 SG2 Plus Pressure Cup with Oscillating Agitator.)

PART NO.	DESCRIPTION	QTY.
20-3236-5•	O-RING	1
82-730	GASKET	2
82-727	CYLINDER GASKET	1
82-720	CONICAL SPRING	1
20-5845	O-RING	1
82-721 †	SPRING	1
20-3753	O-RING	1
82-776	CAN SEAL	1
82-775	CAN	1
20-6790 †	GROMMET	1
82-714	PISTON ASSEMBLY	1

- Available only as a quantity pack.
- † Items NOT available separately.

PRESSURE CONVERSION KITS

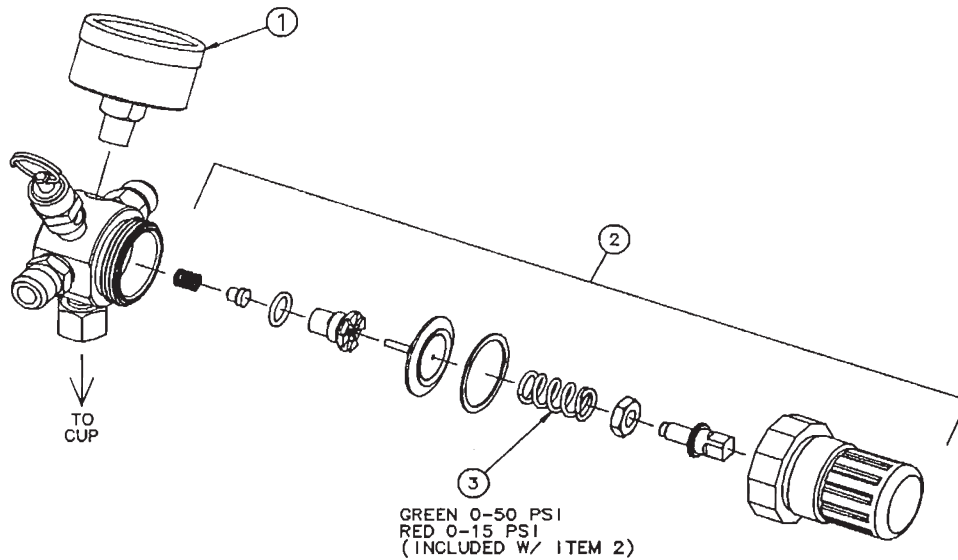
CONVERSION KIT 80-619 – Allows conversion **from low (0-10 PSI) to high** pressure operation.

⚠ WARNING

Attempting to install the conversion kit while the system is pressurized could result in damage to components or bodily injury.

INSTRUCTIONS:

1. Depressurize and shut off the entire system before installing the conversion kit.
2. Remove regulator from cup.
3. Replace gauge with gauge provided in the conversion kit.
4. Replace the regulating spring.
5. Inspect all other internal components of the regulator and replace with new items from the conversion kit as needed and reassemble the regulator.
6. Reassemble the regulator to the cup.



CONVERSION KIT	HOW USED	ITEM 1 GAUGE	ITEM 2 REG. KIT	ITEM 3 SPRING (REF)
80-619	CONVERT TO HIGH PRESSURE	59-369 (0-60 PSI)	85-438	GREEN (0-50 PSI)
—	CONVERT TO LOW PRESSURE	59-299 (0-15 PSI)	85-437	RED (0-10 PSI)

NOTES

NOTES

NOTES

WARRANTY POLICY

Binks products are covered by Finishing Brands one year materials and workmanship limited warranty. The use of any parts or accessories, from a source other than Finishing Brands, will void all warranties. For specific warranty information please contact the closest Finishing Brands location listed below.

Finishing Brands reserves the right to modify equipment specifications without prior notice. DeVilbiss, Ransburg, BGK, and Binks are registered trademarks of Finishing Brands. ©2014 Finishing Brands. All rights reserved.



Binks is part of Finishing Brands, a global leader in innovative spray finishing technologies. For technical assistance or to locate an authorized distributor, contact one of our international sales and customer support locations below.

USA/Canada

www.binks.com
info@finishingbrands.com
Tel: 1-800-992-4657
Fax: 1-888-246-5732

Mexico

www.finishingbrands.com.mx
sales@finishingbrands.com.mx
Tel: 011 52 55 5321 2300
Fax: 011 52 55 5310 4790

Brazil

www.devilbiss.com.br
sales@devilbiss.com.br
Tel: +55 11 5641 2776
Fax: 55 11 5641 1256

United Kingdom

www.finishingbrands.eu
info@finishingbrands.eu
Tel: +44 (0)1202 571 111
Fax: +44 (0)1202 573 488

France

www.finishingbrands.eu
info@finishingbrands.eu
Tel: +33(0)475 75 27 00
Fax: +33(0)475 75 27 59

Germany

www.finishingbrands.eu
info@finishingbrands.eu
Tel: +49 (0) 6074 403 1
Fax: +49 (0) 6074 403 281

China

www.finishingbrands.com.cn
mkt@finishingbrands.com.cn
Tel: +8621-3373 0108
Fax: +8621-3373 0308

Japan

www.ransburg.co.jp
binks-devilbiss@ransburg.co.jp
Tel: 081 45 785 6421
Fax: 081 45 785 6517

Australia

www.finishingbrands.com.au
sales@finishingbrands.com.au
Tel: +61 (0) 2 8525 7555
Fax: +61 (0) 2 8525 7500

