



INSTRUCTIONS

-J05670

REV. 2013-06-01

CIGARETTE LIGHTER KIT

GENERAL

Kit Number

69200605

Models

For model fitment information, see the P&A Retail Catalog or the Parts and Accessories section of www.harley-davidson.com (English only).

Additional Parts Required

NOTE

This instruction sheet references service manual information. A service manual for your model motorcycle is required for this installation and is available from a Harley-Davidson dealer.

Kit Contents

See Figure 2 and Table 1.

ELECTRICAL OVERLOAD

NOTICE

It is possible to overload your vehicle's charging system by adding too many electrical accessories. If the combined electrical accessories operating at any one time consume more electrical current than the vehicle's charging system can produce, the electrical consumption can discharge the battery and cause damage to the vehicle's electrical system. See an authorized Harley-Davidson dealer for advice about the amount of current consumed by additional electrical accessories or for necessary wiring changes. (00211c)

WARNING

When installing any electrical accessory, be certain not to exceed the maximum amperage rating of the fuse or circuit breaker protecting the affected circuit being modified. Exceeding the maximum amperage can lead to electrical failures, which could result in death or serious injury. (00310a)

This cigarette lighter kit requires up to **5.0 amps** more current from the electrical system.

REMOVAL

WARNING

To prevent accidental vehicle start-up, which could cause death or serious injury, remove main fuse before proceeding. (00251b)

1. Follow the instructions in the service manual for the following procedures:
 - a. Remove main fuse.
 - b. Remove outer fairing.
 - c. Remove right speaker enclosure
2. See Figure 1. Disconnect power outlet connector [132] (16).
3. Cut off 2-way connector as close to the connector as possible.
4. Hold socket and loosen outer shell. Remove the power outlet and cap from inner fairing.

INSTALLATION

1. Strip wires and crimp spade terminals to wires.

NOTE

It may be necessary to shift the location of cable straps to provide additional length in wire harness.

2. Connect violet/blue wire (+) to center lug.
Connect black wire (-) to sleeve lug.
3. Install cigarette lighter socket from inner fairing side and tighten securely.
4. Insert lighter element.
5. Install main fuse and check operation.
6. Follow the instructions in the service manual for the following procedures:
 - a. Install right speaker enclosure
 - b. Install outer fairing.

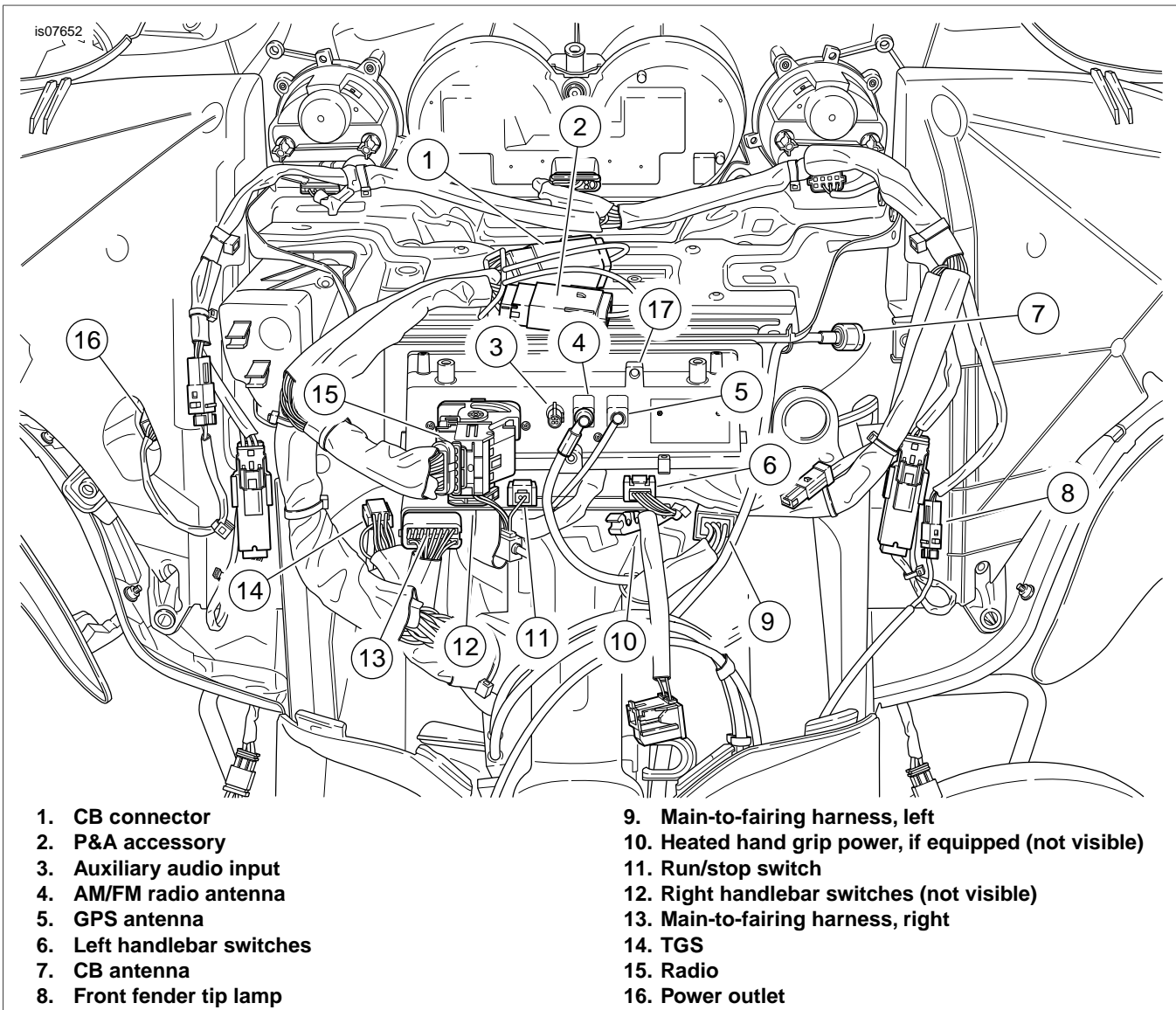


Figure 1. Inner Fairing Harness Connectors

SERVICE PARTS

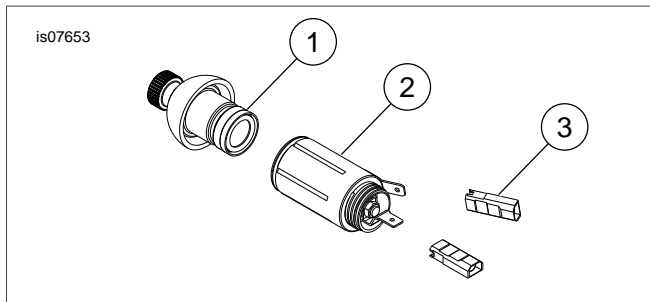


Figure 2. Service Parts: Cigarette Lighter Kit

Table 1. Service Parts

Item	Description (Quantity)	Part Number
1	Cigarette lighter element	91808-89
2	Cigarette lighter socket	91812-89A
3	Terminal	72290-94