

XA-110IP

SERVICE MANUAL

US Model

Ver. 1.0 2006.04



SPECIFICATIONS

| | |
|----------------------|--|
| Power requirements | DC 12 V car battery (negative ground) |
| Dimensions | Approx. 95 × 75 × 30 mm (3 3/4 × 3 × 1 3/16 in) |
| Mass | Approx. 215 g (8 oz) |
| Supplied accessories | Parts for installation and connections |

Design and specifications are subject to change without notice.

Warning

- The iPod has not been designed to withstand automotive temperature extremes. Therefore, you should not leave the iPod in a vehicle for extended periods. Leaving the iPod inside a vehicle on a moderately hot or very cold day may damage the iPod.
- Sony is not responsible for incomplete recording/downloading or damaged data due to problems of the player or computer.

Features

- Controls iPod from the car audio unit through Sony BUS.
- Display music information on the car audio unit.
- You can charge the battery by connecting the iPod to this unit.
- This unit can be used with SONY BUS compatible car audio units released in October 2005 or later (except MEX-1GP, MEX-1GPX, CDX-GT805DX, CDXGT800D, CDX-F605X and CDX-R505X).

iPod is a trademark of Apple Computer, Inc., registered in the U.S. and other countries.

Precautions

- Some SONY BUS compatible car audio units, released in October 2005 or earlier, may not work.
- This unit can be used with third-generation and later iPods, iPod photo, iPod mini or iPod nano. iPod Shuffle cannot be used, however.
- Touch wheel or scroll wheel type iPods without the dock connector cannot be connected to this unit.
- This unit can be used with the following iPod versions. Correct function of earlier versions cannot be guaranteed.
 - Third generation iPod: Ver. 2.3
 - Fourth generation iPod: Ver. 3.0.2
 - iPod photo: Ver. 1.1
 - iPod mini: Ver. 1.3
 - iPod nano: Ver. 1.0
- Choose the installation location carefully so that the unit does not interfere with normal driving operations.

INTERFACE ADAPTOR FOR iPod

9-887-228-01
2006D05-1
© 2006.04

Sony Corporation
eVehicle Division
Published by Sony Techno Create Corporation

SONY®

This section is extracted from instruction manual.

GENERAL

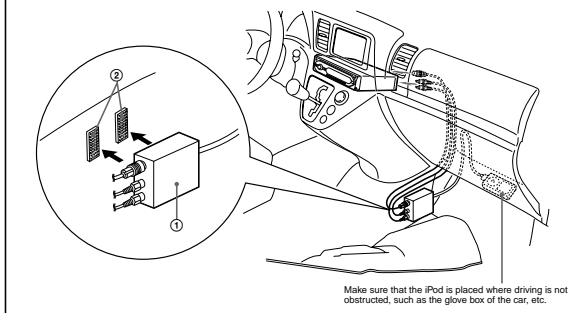
Installation

Before installation

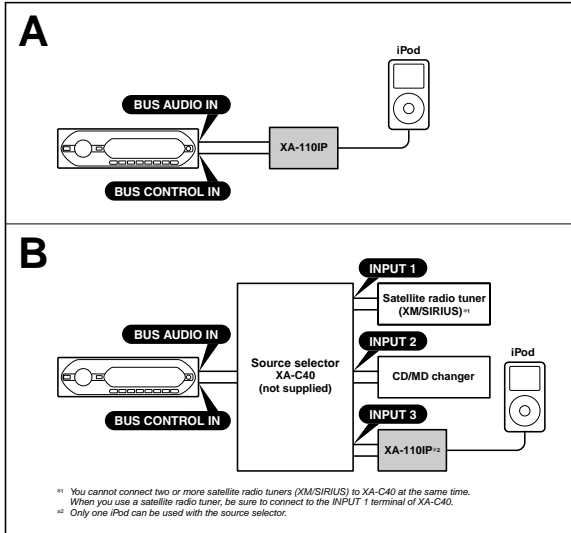
- Choose the installation location carefully so that the unit does not interfere with normal driving operations.
- Avoid installing the unit in areas subject to:
 - high temperatures, such as from direct sunlight or hot air from the heater.
 - draft, rain or moisture.
 - dust or dirt.
 - magnetic fields.
- Use only the supplied mounting hardware for a safe and secure installation.

If you have any questions or problems concerning your unit that are not covered in this manual, please consult your nearest Sony dealer.

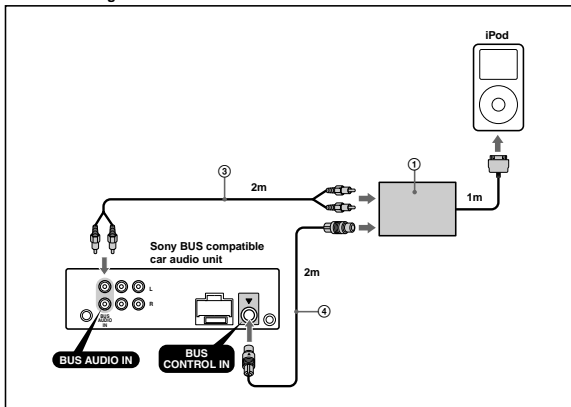
Mounting example



Connection example



Connection diagram



Operation

- The display and function buttons differs depending on the car audio unit that controls the iPod.
- When the iPod is connected to the adaptor, operation from it cannot be performed; operate the iPod from your car audio unit.
- Before connecting the iPod to the adaptor, turn down the volume of the car audio unit.

Playing tracks

- 1 Connect the iPod to the adaptor. The iPod will turn on automatically, and the display as below will appear on the iPod screen.



- 2 Press **[SOURCE]** to select the iPod. "PD1" or "Portable" appears in the display of a car audio unit, and the tracks on the iPod start playing automatically.

Note
If the iPod is not connected, "No iPod" will be displayed in the display of the car audio unit.
- 3 Adjust the volume.

| To | Press |
|--------------------------|---|
| Stop playback | [OFF] |
| Pause tracks | [PAUSE] |
| Resume play after pause | [PAUSE] |
| Skip tracks | [SEEK +/-] [once for each track] |
| Skip tracks continuously | [SEEK +/-] [press, then press again within about 2 seconds and hold] |
| Fast-forward/reverse | [SEEK +/-] [hold to desired point] |

Tip
• The iPod can be connected to or disconnected from the dock connector either during playback or pause.
• When the ignition key is turned to the ACC position, or the car audio unit is on, the iPod will be recharged.
• If the iPod is connected while playing a track, the track will continue to play after the connection.
• If the iPod is disconnected during playback, playback will pause.

Note
To turn the iPod off, either disconnect it from the adaptor, or turn the ignition key to the OFF or ACC position. The iPod will turn off after approx. 2 minutes.

Changing the display items

- 1 During playback, press **[DISPL.]**. The display items changes as follows:
Track name → Track number → Elapsed playing time → Album name → Artist name → (Clock)
- Notes*
- If the name of a track, album, artist or playlist is not entered on the iPod, "No name" will appear in the display of a car audio unit.
 - If the car audio unit has a separate display for the clock, the current time will not appear in the display of the car audio unit even by pressing **[DISPL.]**.

Setting the play mode

Selecting Album, Artist or Playlist
You can select an Album, Artist or Playlist, and playback starts.

- 1 During playback, press **[MODE]**. The mode changes as follows:
Album → Artist → Playlist

Skipping albums, artists and playlists

| To | Press |
|-------------------|---|
| Skip | [GP/ALBUM +/-] [press once for each] |
| Skip continuously | [GP/ALBUM +/-] [hold to desired point] |

Repeat Play
You can select to play tracks on the iPod repeatedly.

- 1 During playback, press **[REP]** until the desired setting appears.
- | Select | To play |
|---------------------|---------------------|
| Repeat track | track repeatedly |
| Repeat album | album repeatedly |
| Repeat artist | artist repeatedly |
| Repeat playlist | playlist repeatedly |
| Repeat play starts. | |
- To return to normal play mode, select "Repeat off."

Shuffle Play
You can select to play tracks on the iPod in random order.

- 1 During playback, press **[SHUF]** until the desired setting appears.
- | Select | To play |
|----------------------|----------------------------|
| Shuffle album | album in random order |
| Shuffle artist | artist in random order |
| Shuffle playlist | playlist in random order |
| Shuffle all | all tracks in random order |
| Shuffle play starts. | |
- To return to normal play mode, select "Shuffle off."

Note
GP/ALBUM +/- button will not work during shuffle play.

Scan
You can quickly locate a specific point on the iPod.

- 1 During playback, press **[BBE MP]** until "Scan on" appears. The first 10 seconds of each track will be played.
- To return to normal play mode, select "Scan off."

Note
This function will not work during shuffle play.

PARTS LIST

| Ref. No. | Part No. | Description | Remark |
|----------|--------------|--|--------|
| | 2-684-677-11 | MANUAL, INSTRUCTION (ENGLISH) | |
| 1 | A-1191-609-A | IP BOARD, COMPLETE | |
| 2 | 1-833-007-11 | CORD, CONNECTION (iPod CONNECTION CORD) | |
| 3 | 3-376-464-11 | SCREW(+PTT 2.6X6), GROUND POINT | |
| 4 | 7-685-646-79 | SCREW +BVTP 3X8 TYPE2 IT-3 | |
| 5 | 7-685-790-01 | SCREW +PTT 2.6X4 (S) | |
| 6 | 7-685-790-09 | SCREW +PTT 2.6X4 (S) | |
| 7 | 2-684-673-01 | TAPE, MAGIC | |
| 8 | 1-765-259-31 | CORD, CONNECTION (RK-C320) (RCA PIN CORD) | |
| 9 | 1-791-701-31 | CORD (WITH CONNECTOR) (BUS CABLE) | |

