



# Customer Service Bulletin Commercial Business Group

---

## Reelmaster® 5000 Series

Date: January 18, 2005

**Model/Serial Range:** **Model Number:**

03540-03544  
03550-03551

**Serial Numbers:**

90101-21099999  
200000101-210999999

**Subject: When replacing a complete engine a different fuel Pump is required.**

Units within the serial range listed used a manual lift pump. Current units incorporate an electric fuel pump and have no provision for a manual lift pump. When the engine is ordered for any unit, it will cross reference to the most current version of that engine. Since the most current version of the engine will have no provision for the original fuel pump, an electric fuel pump must be fitted.

Refer to the attached instruction pages for the mounting location, parts, and hardware required to fit an electric fuel pump to the units listed above.

The following parts will need to be ordered for the respective product.

Part Required for 5200-D and 5400-D			Part Required for 5500-D		
Qty	Part Number	Description	Qty	Part Number	Description
1	104-5197	Jumper, Wire	1	104-5197	Jumper, Wire
1	104-5214	Pump, Fuel	1	104-5215	Pump Fuel
1	104-9333	Bracket	1	104-9339	Bracket
1	2412-48	Clamp	1	2412-48	Clamp
2	2412-108	Clamp, Worm	2	2412-108	Clamp, Worm
1	27-5360	Hose	5	321-4	Screw
2	321-4	Screw	2	3256-22	Washer
1	321-6	Screw	5	3296-42	Nut, Lock
3	3256-22	Washer	1	47-7430	Hose
3	3296-42	Nut, Lock	1	8-7612	Filter, Fuel
1	8-7612	Filter, Fuel			

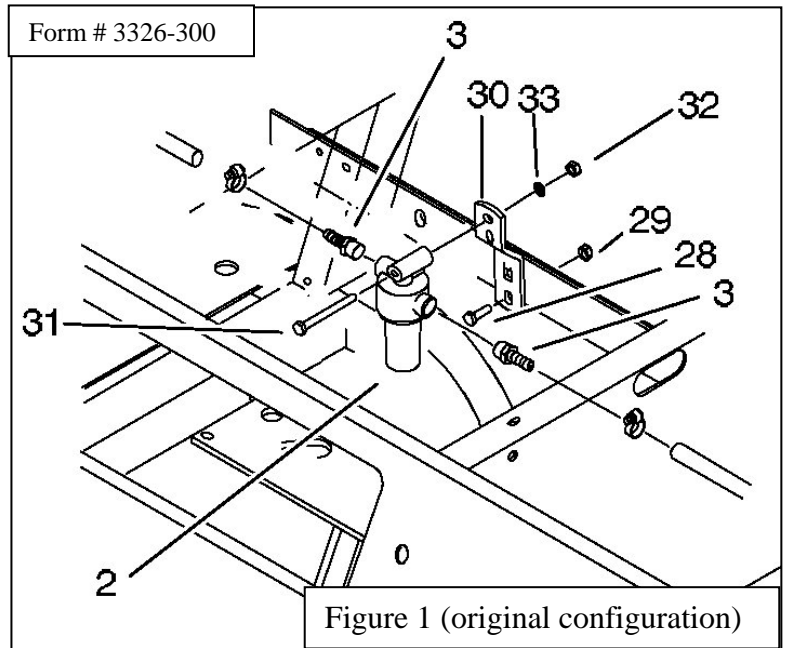
# INSTALLATION INSTRUCTIONS

## Adding an electric fuel pump to the Reelmaster 5200-D & 5400-D

After the Engine has been installed according to the Service manual exchange the following fuel system components.

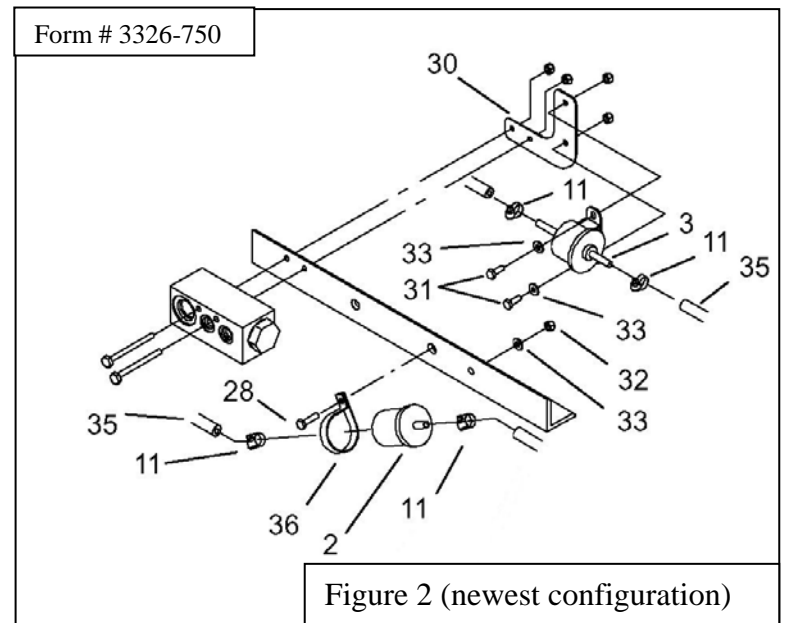
1. Lift the seat and remove the fuel filter, mounting pieces and hardware identified in Figure 1.

Note: For your convenience the reference numbers listed are the same reference numbers that are found in your original parts book.



2. Install the parts identified in figure 2 for reference. All numbered parts will need to be ordered.

Note: When positioning the Fuel Filter (8-7612) verify that the outlet remains lower than the fluid level in the filter.



3. Use Connector (104-5197) to connect the fuel pump inline with the ETR valve.

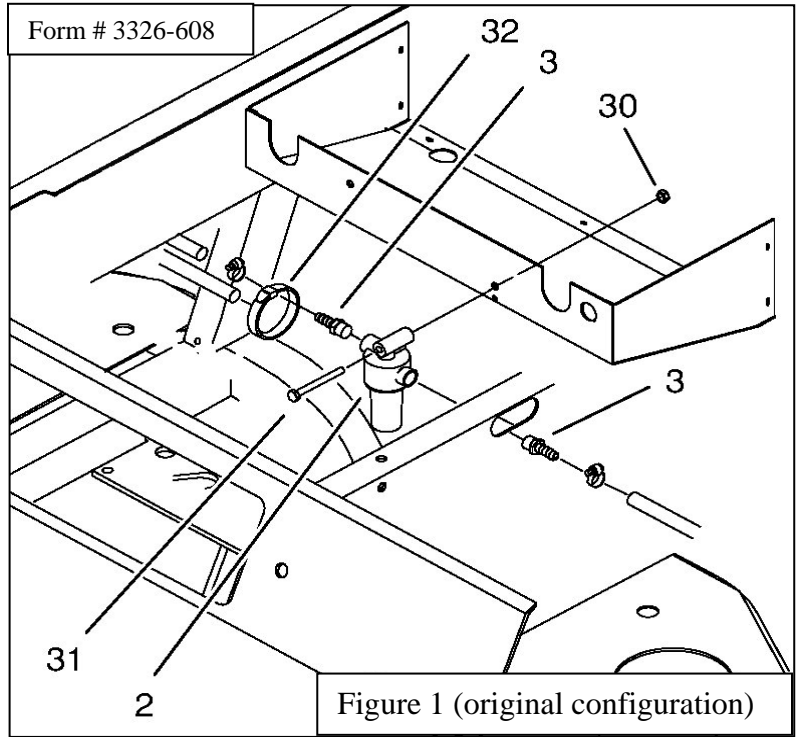
2) Filter, Fuel. . . . .	8-7612	31) Screw. . . . .	321-4
3) Pump, Fuel. . . . .	104-5215	32) Nut, Lock. . . . .	3296-42
11) Clamp, Worm. . . . .	2412-108	33) Washer. . . . .	3256-22
28) Screw. . . . .	321-6	35) Line, Fuel. . . . .	27-5360
30) Bracket. . . . .	104-9333	36) Clamp. . . . .	2412-48

# INSTALLATION INSTRUCTIONS

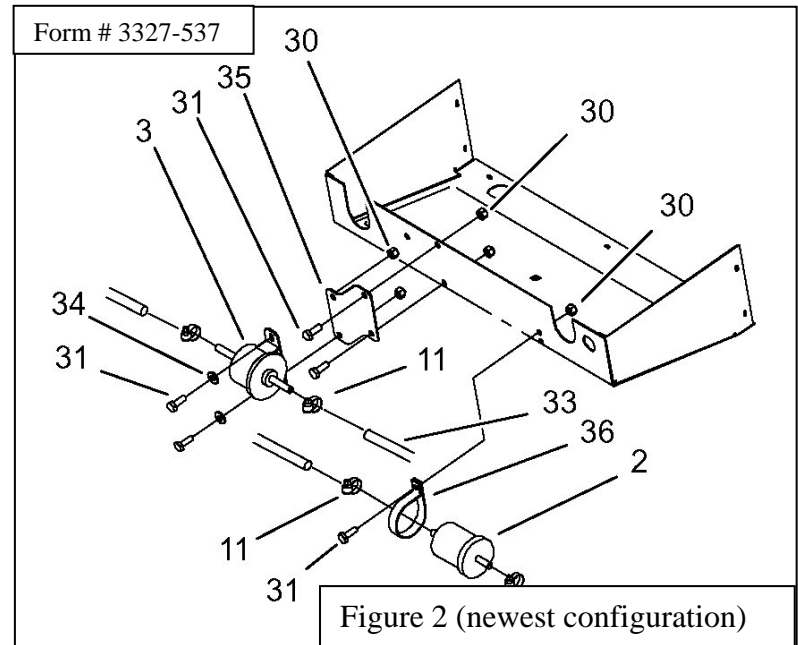
## Adding an electric fuel pump to the Reelmaster 5500-D

After the Engine has been installed according to the Service manual exchange the following fuel system components.

1. Lift the seat and remove the fuel filter, mounting pieces and hardware identified in Figure 1.  
Note: the reference numbers are the same reference numbers that are found in your original parts book.



2. Install the parts identified in figure 2 for reference. All numbered parts will need to be ordered.  
Note: When positioning the Fuel Filter (8-7612) verify that the outlet remains lower than the fluid level in the filter.



3. Use Connector (104-5197) to connect the fuel pump inline with the ETR valve.

2) Filter, Fuel. . . . .	8-7612	31) Screw. . . . .	321-4
3) Pump, Fuel. . . . .	104-5215	33) Hose. . . . .	47-7430
11) Clamp-Worm. . . . .	2412-108	34) Washer. . . . .	3256-22
30) Nut, Lock. . . . .	3296-42	35) Bracket. . . . .	104-9339
		36) Clamp. . . . .	2412-48