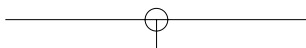
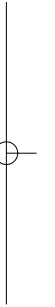
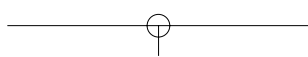
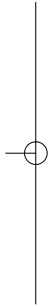


ENGLISH





Brother Cool Laminator LX-1200

ENGLISH

Fax-Back System

Brother Customer Service has installed an easy-to-use Fax-Back System, so you can get instant answers to common technical questions and product information for all Brother products. This system is available 24 hours a day, 7 days a week. You can use the system to send faxes to any fax machine, not just the one from which you are calling.

If you can't resolve a difficulty with your laminator using this manual, call our Fax-Back System, and follow the voice prompts to receive faxed instructions about using the system and an index of Fax-Back subjects.

Canada:

1-800-681-9838

Brother on the World Wide Web

You can find more information about Brother products, from product specification sheets to Frequently Asked Questions (FAQs), on the World Wide Web. Visit us at

<http://www.brother.com>

For Customer Service

In Canada:

1-800-853-6660 (voice)

In Montreal:

1-514-685-6464 (voice)

Corporate Headquarters

1 rue Hôtel de Ville
Dollard-des-Ormeaux,
Québec, Canada H9B 3H6

Brother Bulletin Board:

1-514-685-2040

Ordering Accessories and Supplies

ENGLISH

For best quality results use only genuine Brother accessories, available at most Brother retailers. If you cannot find the accessory you need and you have a Visa or MasterCard credit card, you can order accessories directly from Brother.

In Canada: 1-800-668-2768 (voice)

Description	Model Number	Price
Double-side Laminate		
12" wide film cartridge (40m/131.2ft. long)	LC-D12	\$179.99
12" wide refill roll (40m/131.2ft. long)	LC-D12R	\$119.99
9" wide film cartridge (20m/65.6ft. long)	LC-D9	\$59.99
9" wide refill roll (20m/65.6ft. long)	LC-D9R	\$44.99
4.8" wide film cartridge (20m/65.6ft. long)	LC-D5	\$46.99
4.8" wide refill roll (20m/65.6ft. long)	LC-D5R	\$36.99
Adhesive Back Laminate		
12" wide film cartridge (10m/32.8ft. long)	LC-A12	\$154.99
12" wide refill roll (10m/32.8ft. long)	LC-A12R	\$119.99
9" wide film cartridge (20m/65.6ft. long)	LC-A9	\$104.99
9" wide refill roll (20m/65.6ft. long)	LC-A9R	\$79.99
4.8" wide film cartridge (20m/65.6ft. long)	LC-A5	\$69.99
4.8" wide refill roll (20m/65.6ft. long)	LC-A5R	\$59.99
Magnetic Back Laminate		
9" wide film cartridge (4m/13.1ft. long)	LC-M9	\$179.99
9" wide refill roll (10m/32.8ft. long)	LC-M9R	\$249.99
4.8" wide film cartridge (4m/13.1ft. long)	LC-M5	\$119.99
4.8" wide refill roll (10m/32.8ft. long)	LC-M5R	\$159.99
Other Accessories		
Replacement Ceramic Side Cutters (2 blades)	SC-2	\$24.99
Replacement Corner Cutter Tray	CC-3	\$24.99

Table of Contents

Getting started	4
Features	4
Precautions	5
Package list	6
Part names	7
Outside of the machine	7
Inside of the machine	7
Control Panel.....	8
Film Cartridge.....	8
Setup	9
Turning the machine on/off.....	9
About Auto Power Saver	9
Operating the machine	10
Document Size	13
The Auto Sheet Feeder	14
The Auto Cross Cutting System	14
How to define the cutting position (creating borders).....	15
Auto Cutter Mode - Border	15
Auto Cutter Mode - No Border.....	15
Auto Cutter Mode - Cutter Off (for sensitive documents).....	15
Auto Cutter Mode - Extra Border	16
How to use Continuous mode.....	17
Manual feeding and manual cutting.....	19
Corner cutting	20
Corner cutter dust box.....	21
About film rolls	22
Film-supply maintenance	22
Replacing the film cartridge	23
Installing/replacing the film roll in the cartridge	25
Using 9" (A4) or 4.8" (A6) film cartridges	29
Regular maintenance and troubleshooting	32
Regular maintenance	32
Paper jams	32
Replacing the side cutter units	35
Replacing the corner cutter trimmer tray	37
Troubleshooting	38
Specifications	39
Index.....	40



Getting started

Thank you for purchasing a Brother Cool Laminator. This machine has been designed to be easy to use, but can be utilized to its fullest potential by taking some time to read this owner's manual.

ENGLISH

Features

- Depending upon the type of film used, this machine turns a variety of documents into professional, self-adhesive stickers, dual-sided, coated lamination sheets, magnetic signs etc.
- In addition to output from computers and word processors, you can laminate hand-written sheets, clippings from magazines, photographs or any other type of document.
- Your documents are perfectly coated to protect them from water, dust, tearing, yellowing, and to create a professional, high quality finish.
- No heat is used. The unique cold pressure method and specially formulated adhesives make the operation safe, easy and fast.
- You can start laminating immediately after turning the power on (no warm-up time is necessary).
- This machine has an auto sheet feeder and auto cross cutting mechanism. It automatically detects the width and length of your document and precisely trims the excess laminate from your square or rectangular finished documents.
- The film is easily installed and replaced.
- The LX-1200 supports document widths of up to 11.7" (A3 - 297mm).

Precautions

To avoid personal injury or damage to the machine, please pay close attention to the CAUTION and WARNING notices in this manual. They are here for your safety, as well as to point out actions that might cause damage to your machine.



WARNING:

- Do not attempt to repair or disassemble this equipment yourself. The warranty will be voided if this machine is not repaired by authorized service personnel.
- Do not touch the blades inside of the machine.
- Use only the AC adapter that was supplied with the machine. Using the wrong AC adapter may damage the machine and will void the warranty.



CAUTION:

- Do not pull the power cord. To disconnect it, always grasp the plug itself.
- Do not place the machine under direct exposure to sunlight and other sources of heat, excessive moisture, or dust.
- If any liquid is spilled onto the machine, immediately unplug the machine from its power source and consult with authorized service personnel.
- Unplug the machine during a lightning storm.
- Do not place heavy objects on the machine.
- Keep the back and sides of the machine clear of obstructions to prevent overheating.
- Use only a soft, dry cloth to clean the machine (do not use chemicals, solvents, or detergents).
- To avoid electrical interference, do not place the machine close to a radio receiver or television.
- Do not turn the machine off while operating except in the event of a malfunction.
- Turn the machine off in the event of a malfunction.
- If you use adhesive laminate film, do not attach the laminated output to one's skin, or the sensitive surface of objects.
- The laminated documents are not easily digested. Great care should be taken to prevent accidental ingestion by infants or the elderly.
- The laminate film contains UV resistance materials. However, the color of the documents may fade if the documents are printed with liquid type ink. Solid type ink is recommended to prevent the document from fading.
- The laminated document may be wrinkled or damaged if it is placed under a heavy object.
- Do not place the magnetic back laminate output close to floppy disks or audio tapes. The data on the disks or tapes may be damaged.
- Brother can not be held liable for loss or damage of items used in the laminator machine.
- Under the terms of an agreement with Xyron, Inc., the purchase or other acquisition of this product confers no right or license to use the product in the Retroreflective Field.
- Laminating thermal paper may cause the print to fade.
- When a document is first laminated it may feel sticky to the touch. This stickiness is caused by silicone that is used in processing the film.
- Discard the machine or laminated output according to local regulations. If you are not sure of them, call your local Sanitation Department.



IMPORTANT OPERATIONAL PRECAUTIONS:

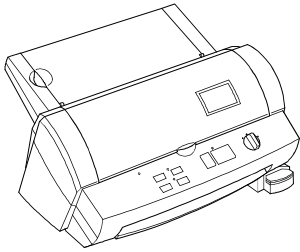
- Select Cutter Off Mode when laminating sensitive or irregularly shaped documents.
- Do not insert your precious and valuable items into the machine.
- Do not laminate any photograph which cannot be replaced.

Package list

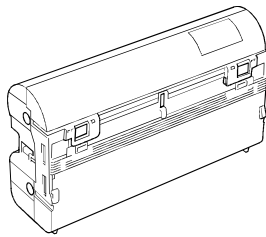
① Machine	1
② Film cartridge (Starter cartridge includes 13.1' or 4m of film)*	1 (Double side laminate type)
③ AC adapter	1
④ Owner's manual	1
⑤ Compatible accessory list	1
⑥ Supplemental PC software (CD-ROM)	1
⑦ Cartridge adapter	1

* The film cartridge is already installed into the machine.

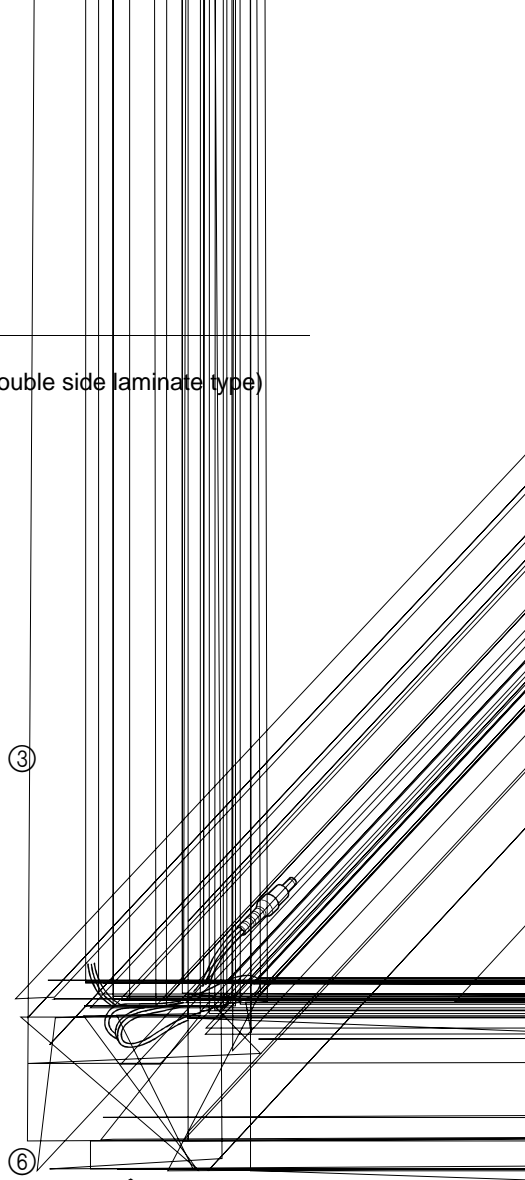
①



②



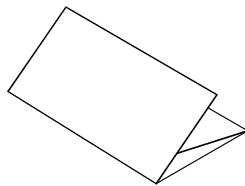
③



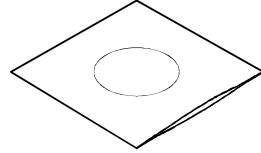
④



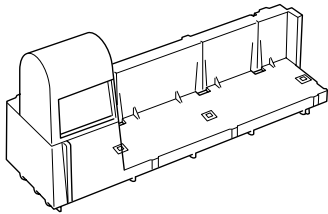
⑤

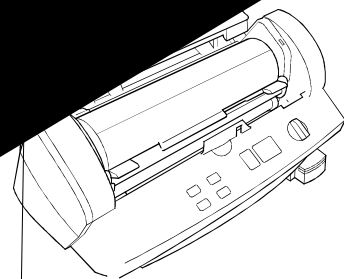


⑥



⑦





Control Panel

POWER DIAL ON/OFF

Turns the machine on/off.

Cut

Cuts the document in the current position.

Feed

Manually feeds the laminate and/or the document.

Continuous

Use this feature to laminate multiple documents.

Extra Border

Use this feature to create an extra border on one-side of your document (i.e. area for 3-hole punch).

Start

Starts an operation.

Stop

Stops an operation.

Border

The machine will trim the film with about a 0.18" (4.5mm) margin from each edge of the document. - Leaves a margin of laminate.

No Border

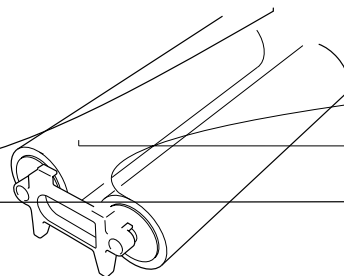
The machine will trim the film with a margin that is approximately 0.06" (1.5mm) from each edge of the document. - Trims the laminate close to the document.

Cutter Off

Turns the cutting mode off.

Error

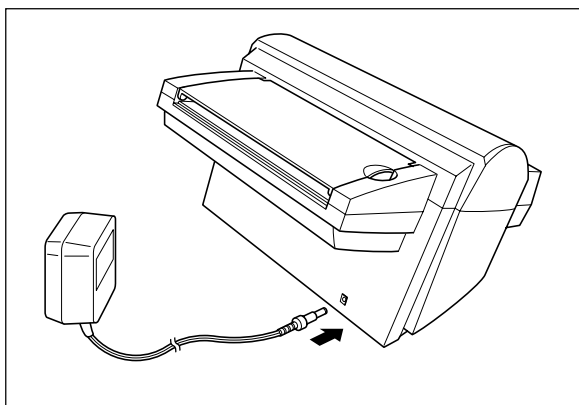
Indicates a malfunction of machine.



Setup

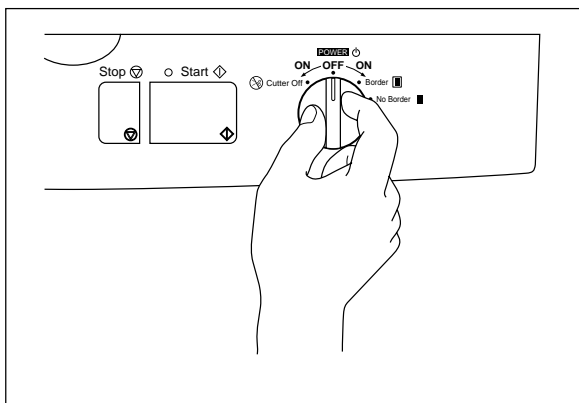
Turning the machine on/off

ENGLISH



(1) Connect the plug of the AC adapter into the DC connector.

(2) Plug the AC adapter into an electrical outlet.



(3) Turn the power dial on the control panel to Cutter Off, Border or No Border. The green light on top of the **Start** button will light up. If the machine does not respond, check the connection of the AC adapter.

To turn the machine off, turn the power dial to POWER OFF.

(4) Press the **Feed** button until you can see the edge of the film to remove any slack from the film.



WARNING:

Do not plug your machine into an electrical outlet until it has been completely assembled. Do not try to disassemble or repair this equipment yourself. Service should be performed by authorized personnel only. Warranties will be voided if the unit is repaired by unauthorized technicians.

Never touch the surface of the blades when installing the film cartridge.



CAUTION:

Do not turn the machine off during the laminating process. The machine should be turned off during operation only in the event of a malfunction.

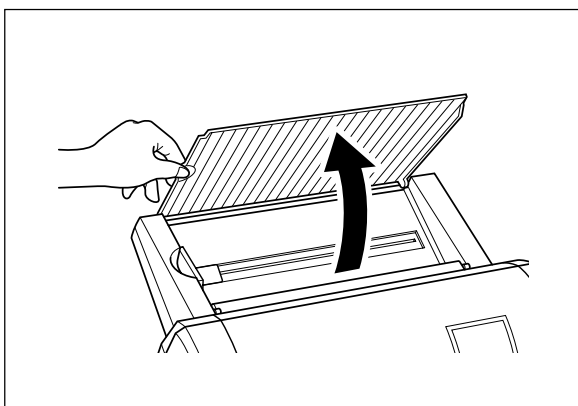
About Auto Power Saver

This machine has an Auto Power Off function. If the machine is left idle for approx. 5 minutes, the machine will automatically turn off. In order to turn the machine back on, please turn the POWER dial to POWER OFF, and then turn the machine on by selecting the cutter mode: Cutter Off, Border or No Border.

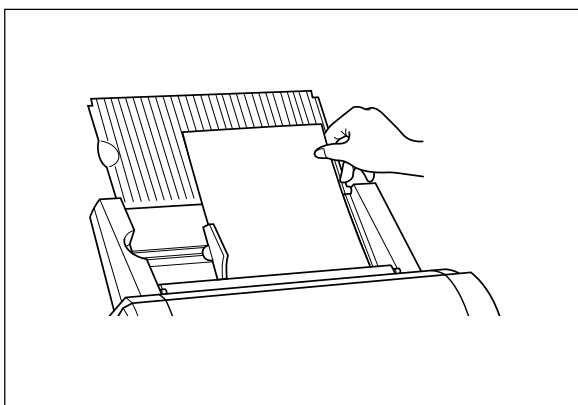
Operating the machine

Laminate documents, create magnetic signs, and create adhesive stickers:

ENGLISH



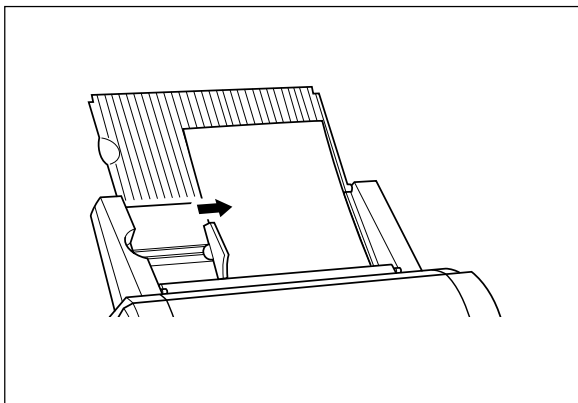
(1) Open the document supporter.



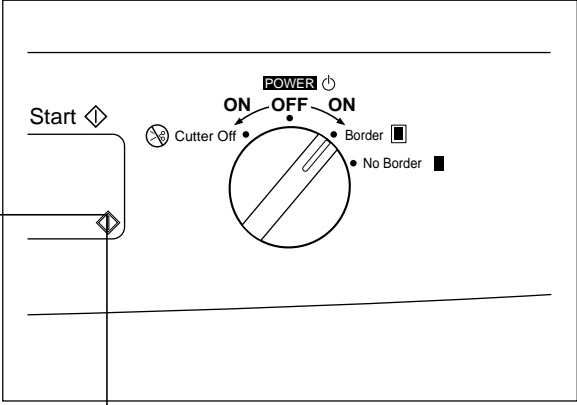
(2) Load the document to be laminated onto the document tray. Insert the document face up.

TIP

When using the adhesive laminating film, documents can be placed face down on the document tray to apply the adhesive to the front of the document (Great for Window Stickers).



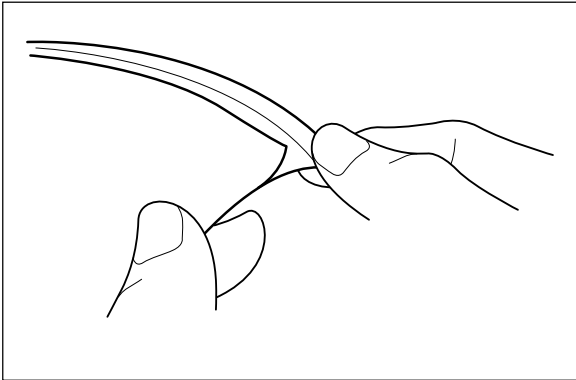
(3) Align the paper with the tab on the right and slide the document guide until it touches the left edge of the document. When laminating an irregularly shaped document, always position the longest edge of the document to the right.



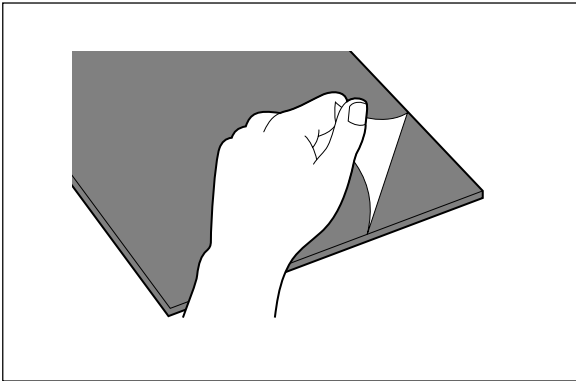
ENGLISH



ENGLISH



Note
If you use the adhesive laminate film, the back surface of the laminated output is a liner which will need to be peeled off. To mount the laminated document on a surface for display, peel off the liner as illustrated. For easy peeling, there is a crack in the liner approx. 1" from the right side.



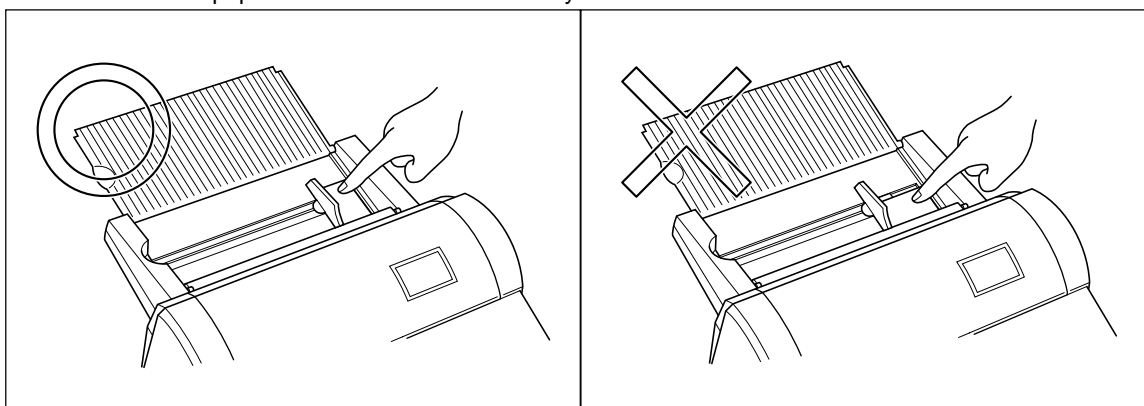
Note
If you use the magnetic back laminate film, you can place the output on metal surfaces. There is a liner on the back surface of the laminated output (magnet side). Please peel the liner off gently as illustrated before placing the output sheet on a metal surface.

Document Size

The size of the document that you wish to laminate should not be larger (or smaller) than the width that your machine can accommodate. The document should be between 2.0 and 11.7 inches (50 and 297 mm) wide. The minimum paper length should be 3.5 inches (90 mm). The paper thickness should be between 17 lbs. to 40 lbs. (0.004" and 0.008"). Only one document at a time can be loaded onto the document tray.

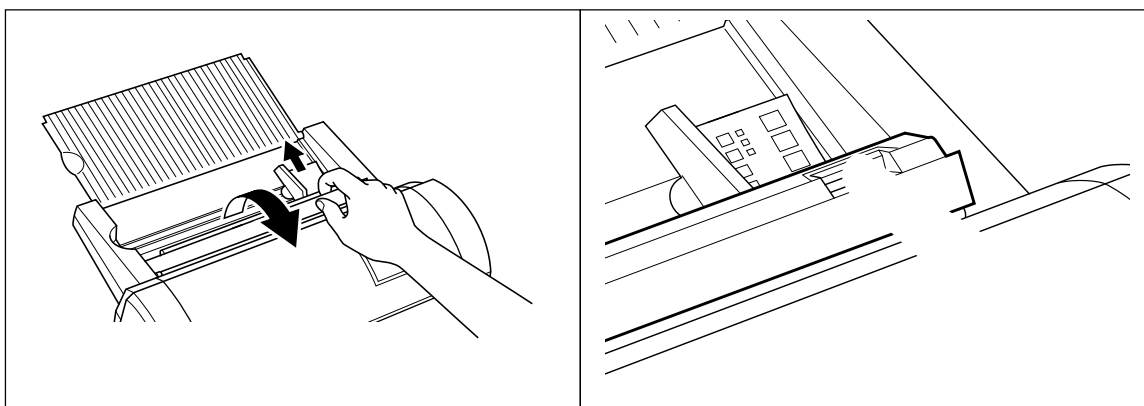
Type of cartridge		12.0 inch cartridge	9.0 inch cartridge	4.8 inch cartridge
Paper width	Maximum	11.7" (297 mm)	8.5" (216 mm)	4.3" (108 mm)
	Minimum	2.0" (50 mm)	2.0" (50 mm)	2.0" (50 mm)
Paper length	Minimum	3.5" (90 mm)	3.5" (90 mm)	3.5" (90 mm)
Paper thickness		0.004" - 0.008"	0.004" - 0.008"	0.004" - 0.008"

Business card-size paper should be inserted vertically into the machine as illustrated below.



Note

If you place a small document into the machine incorrectly, it can be removed by lifting the document tray cover as illustrated.

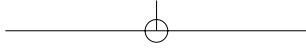


When laminating a document longer than 18.5" (470 mm), the machine will pause after laminating 18.5". To continue the process just press the **Start** button.



CAUTION:

Do not insert documents that are curled, wrinkled, folded or ripped into the machine. Documents must be free of staples, paper clips, glue, correction fluid and sticky tape. Do not insert fabric material into the machine.



The Auto Sheet Feeder

The Auto Sheet Feeder automatically feeds your document into the machine, one sheet at a time. Load only a single document at a time onto the document tray.

The Auto Cross Cutting System

The Auto Cross Cutting System automatically detects the width and length of the inserted document. The built-in mechanism precisely trims each side of the square or rectangular document.

ENGLISH



IMPORTANT INFORMATION:

- Select Cutter Off Mode when laminating sensitive or irregularly shaped documents.

How to define the cutting position (creating borders)

The Auto Cross Cutting System automatically detects the size of your document and trims each edge of your square or rectangular document. The cutting position can be adjusted to create a margin on each edge of the laminated document.

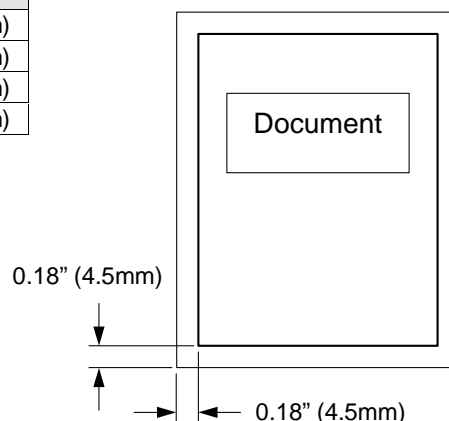
Auto Cutter Mode – Border

This mode is ideal for protecting documents from water or dust.

To create a margin on each edge of your square or rectangular document...

- (1) Change the position of the Power dial to **Border**.
- (2) Place the document in the document tray and press **Start**. The document will be cut with about a 0.18" (4.5 mm) margin of laminate on each edge of the paper.

Cutting Position		
Top	Top of paper	0.18" ± 0.06" (4.5mm ± 1.5mm)
Bottom	Bottom of paper	0.18" ± 0.06" (4.5mm ± 1.5mm)
Right	Right edge of paper	0.18" ± 0.06" (4.5mm ± 1.5mm)
Left	Left edge of paper	0.18" ± 0.06" (4.5mm ± 1.5mm)



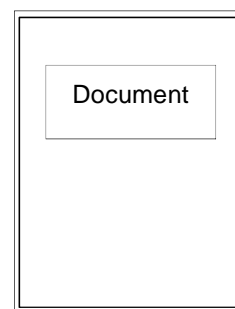
Auto Cutter Mode – No Border

This mode is ideal for making stickers.

To generate a document without a margin of laminate on each edge...

- (1) Change the position of the Power Dial to **No Border**.
- (2) Place the document in the document tray and press **Start**. The document will be trimmed with a very small margin of laminate (approximately 0.04" - 0.06" (1 - 1.5mm) from each edge of the document).

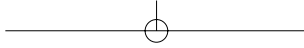
Cutting Position		
Top	Top of paper	0.06" ± 0.06" (1.5mm ± 1.5 mm)
Bottom	Bottom of paper	0.06" ± 0.06" (1.5mm ± 1.5 mm)
Right	Right edge of paper	0.04" ± 0.06" (1.0mm ± 1.5 mm)
Left	Left edge of paper	0.04" ± 0.06" (1.0mm ± 1.5 mm)



Auto Cutter Mode – Cutter Off (for sensitive documents)

Use this mode to prevent any part of the document from being cut away during the finishing process. Cutter Mode will sense the beginning and the end of your document and automatically leave a wide margin of extra laminate, which you may manually trim.

- (1) When **Cutter Off Mode** is selected, the machine will laminate the document without trimming the edges. The document is processed and ejected from the machine.
- (2) Press **Cut** to manually cut the laminate and remove the document from the machine.



Auto Cutter Mode - Extra Border

This mode is ideal for making documents for filing purposes.

The Extra Border will always be generated on the last part of the document to be fed through the machine. You can choose 0.8" (20 mm) or 1.2" (30 mm) extra margin.

Change the width of the Extra Border by pressing the Extra Border button. The first time it is pressed, the extra border will be set to 0.8" (20 mm), the next time 1.2" (30 mm) and the next time the extra border mode will be turned off (as well as the Extra Border LED).

Off → 0.8" (20 mm) → 1.2" (30 mm) → Off

To create an extra 0.8" (20 mm) margin on your document...

- (1) Place the document in the document tray and press the **Extra Border** button once. The Extra Border green LED will light.
- (2) Press **Start**. The document will be laminated with a 0.8" (20 mm) Extra Border.

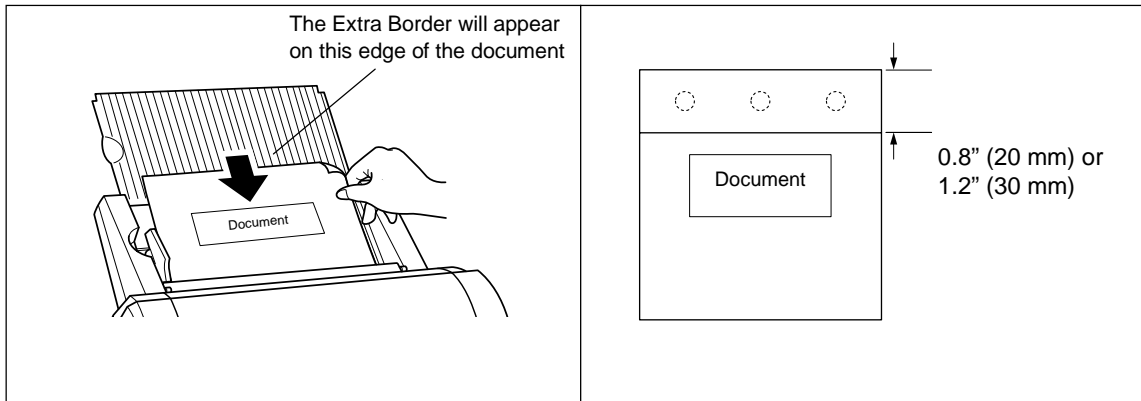
To create an extra 1.2" (30 mm) margin on your document...

- (1) Place the document in the document tray and press **Extra Border** button twice. The Extra Border green LED will blink.
- (2) Press **Start**. The document will be laminated with a 1.2" (30 mm) Extra Border.

Note

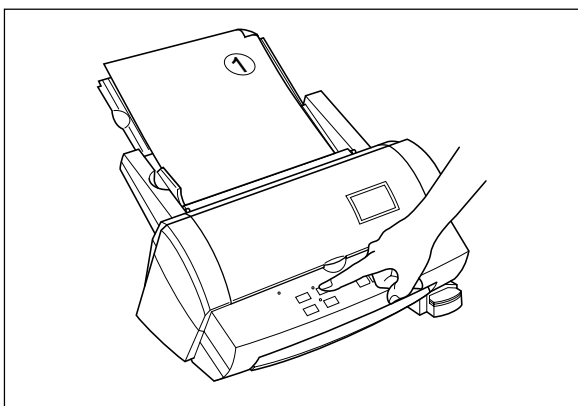
Selected Extra Border mode will remain on until the power is turned off or the Extra Border mode is turned off. To turn the Extra Border mode off, press the **Extra Border** button until the Extra Border LED is no longer lit.

To create an extra border for hole punching an 8.5" × 11" document, place the document in the tray landscape with the side to have the extra border on the top (see illustration).

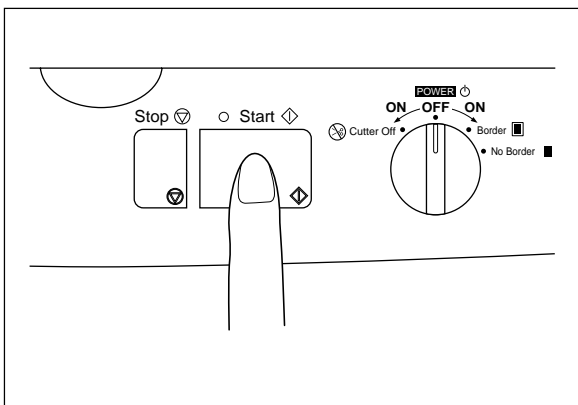


How to use Continuous mode

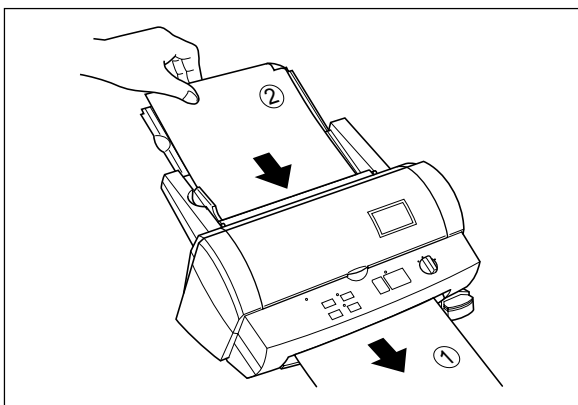
Continuous mode can reduce the wasted film between documents when laminating multiple documents.



- (1) Set the first document on the document tray and press the **Continuous** button. The green Continuous LED will light.



- (2) Press **Start**. The machine will start to laminate your document. When the end of the document is detected the laminating process pauses and the buzzer sounds.



- (3) Place the next document in the document tray. The next document will automatically be fed after approximately 7 seconds.

Note

If a new document is not placed in the feeder within 7 seconds, the machine will restart and finish the current document.

*If **Start** button is pressed after placing the next document in the feeder, the laminating process will restart without waiting 7 seconds.*

*If **Stop** button is pressed before placing next document in the feeder, the Continuous mode is paused. Press **Start** to restart the operation.*

- (4) Continue with step (3) until you are finished laminating documents. If a document is not placed in the feeder within 7 seconds, the machine will finish laminating the document in the machine and then return to normal mode.

Note

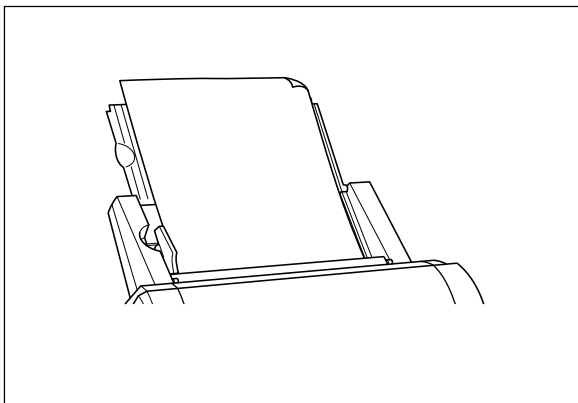
*The **Feed** and **Extra Border** buttons will not work while the machine is in Continuous mode.*

Do not change the setting of the Cutter Mode during Continuous mode.

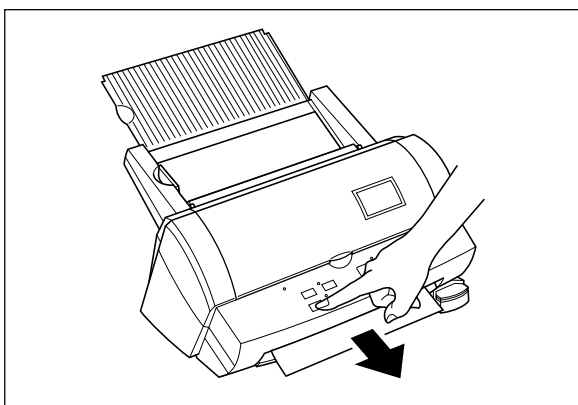
To create an extra border with continuous mode, select the extra border mode before turning on the continuous mode. All documents laminated will have an extra border. To turn off the extra border, turn off continuous mode first and then turn off the extra border mode.

Manual feeding and manual cutting

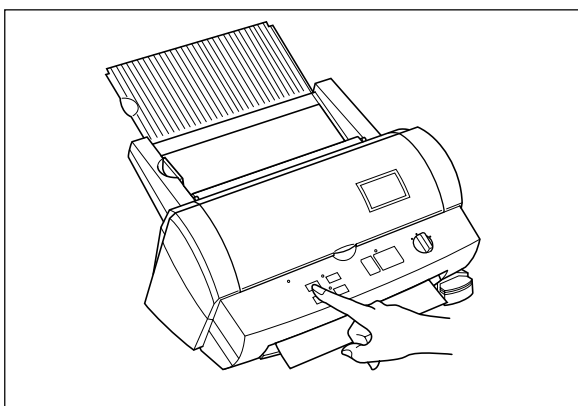
You can manually feed and cut the document using the Cool Laminator.



(1) Place the document in the document tray.



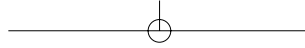
(2) Press the **Feed** button to feed the document manually. The **Feed** button is a self-repeating key. The document will continue to be fed until the **Feed** button is released. Keep pressing the **Feed** button until you see the end of the document.



(3) Press the **Cut** button. The document will be cut at its current position.

Note

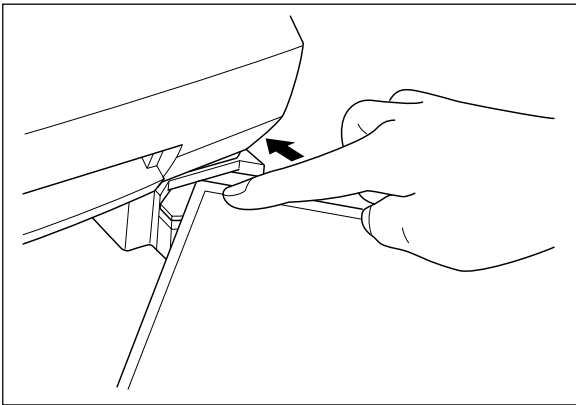
- For safety, the exact cutting position is not visible from outside of the machine.
- To avoid accidentally cutting through your document, it is recommended that you press the **Cut** button only after the document has been completely ejected from the machine.
- Never remove a document from the machine by force. If necessary, use scissors.



Corner cutting

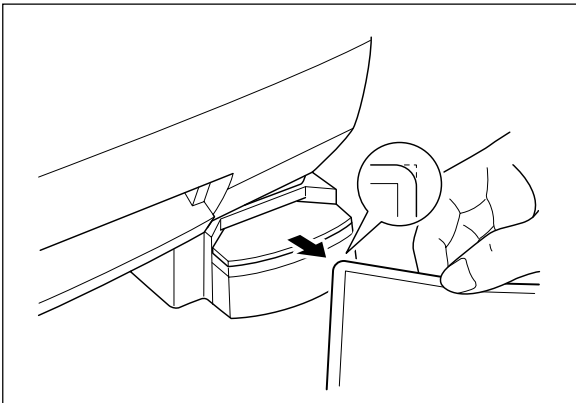
After laminating, you can round each corner of the document.

ENGLISH



- (1) Carefully insert a corner of the document all the way into the corner-cutter slot so that the corner of the laminated document is flush with the sides of the corner cutter.

- (2) The machine will automatically trim the corner of the document.

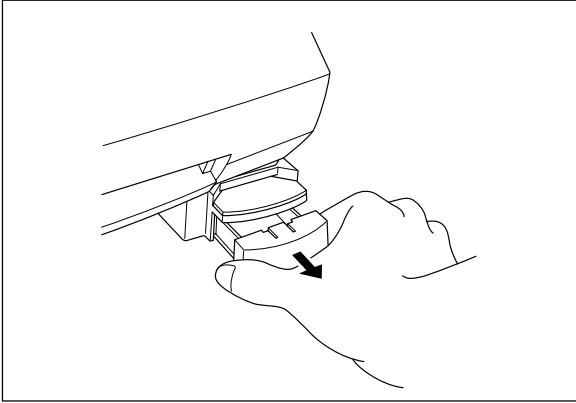
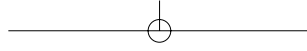


- (3) Remove the document from the slot.

Note

The maximum thickness of the original document (before lamination) that the corner cutter unit can cut is 0.008" (30 lbs. paper).

Do not use the corner cutter to trim magnetic back output.



Corner cutter dust box

The trimmings from the corner cutter are collected in the corner cutter dust box located just below the corner cutter slot. Pull the dust box towards you to discard the trimmings and place the box back into its original position.

Note

The trimmings created during the inspection process at the factory may still be in the corner cutter dust box.

ENGLISH

About film rolls

There are a variety of different types of film rolls that have been designed to meet your needs.

ENGLISH



This machine supports 12.0 inch (A3), 9.0 inch (A4) or 4.8 inch (A6) width cartridges.

Use only Brother authorized film cartridges or film refills. The above mark appears on all packages of authorized film cartridges or film refills that are compatible with the machine. Brother cannot be held responsible for any problem arising from the use of unauthorized supplies.

Depending upon the type of film used, this machine turns a variety of documents into professional, double-sided lamination sheets, adhesive stickers or magnetic signs. Please refer to the compatible accessory list packaged with this machine for details.

This machine is supplied with a Double Sided Lamination Film Cartridge. For other types of film rolls, please contact your local Brother dealer.

Note

To use a 9.0" or 4.8" cartridge with this machine, first install the cartridge adapter into the machine. Please refer to page 29.

Film-supply maintenance

A red marker appears when the film supply is running out. Please replace the film roll as soon as you notice this red marker. The red tape will appear approximately 39.4" (1000 mm) from the end of the roll.

If the red marker appears, replace the film immediately. Please refer to 'Replacing the film cartridge' on page 23 or 'Installing/replacing the film roll in the cartridge on page 25 to refill the film cartridge.

The starter cartridge produces about 11 US letter size sheets (landscape direction) in continuous mode. A regular roll double-sided laminate film produces about 168 US letter size sheets (landscape direction) in continuous mode.

Please refer to the compatible accessory list on page 1 for other supply information.

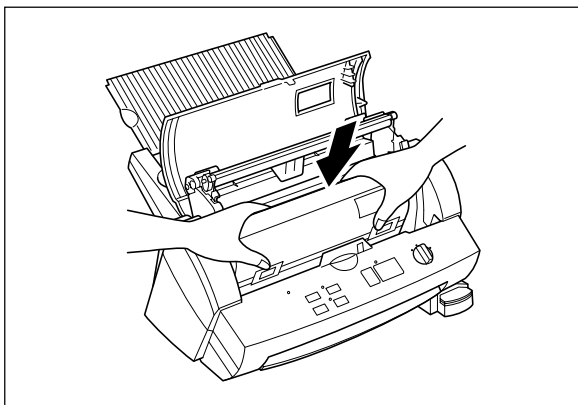
Note

A red tape will appear when the laminate film is reaching the end.

If this red tape appears, replace the film immediately. This red tape can simply be peeled off your original document without causing damage.

Attempting to laminate another document after the red marker appears may result in a damaged and/or cut document.

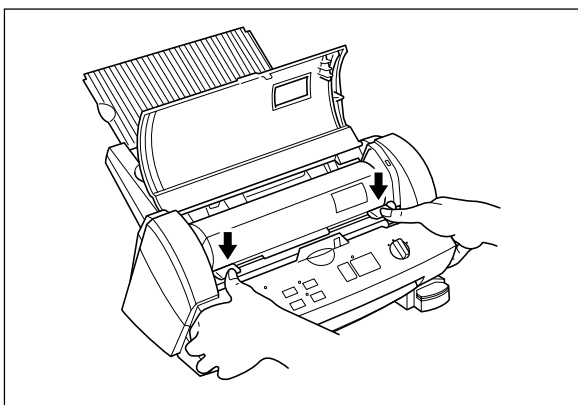




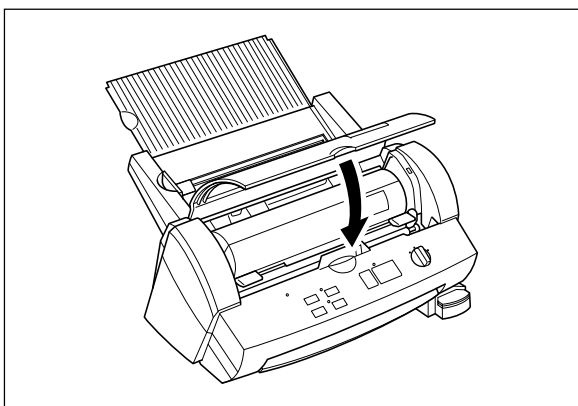
- (4) Carefully install the new film cartridge, square end down, film slit facing towards the front of the machine.

Note

- Make sure that the shutter of the cartridge is completely closed before installing the cartridge.
- Check the position of the top edge of the film before installing cartridge. It should be aligned with the cutting line of the cartridge. If necessary, cut away any excess film.
- Make sure that the top edge of the film lays across the lower roller.



- (5) Return the roller holder to its original position and press the roller holder levers as illustrated until it is secured into position. You will hear the roller holder click into place.



- (6) Close the top cover.

- (7) Turn the POWER dial to Cutter Off, Border or No Border. Press the **Feed** button until you can see the edge of the film to remove any slack from the film.

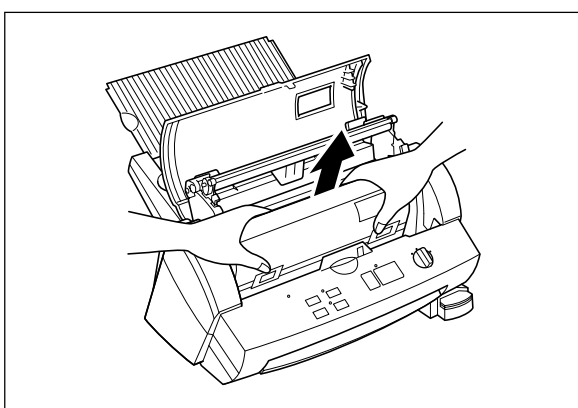
Note

- The type of the currently installed cartridge can be viewed through the window in the top cover.
- Store the film cartridge at below 113°F (45°C).

Installing/replacing the film roll in the cartridge

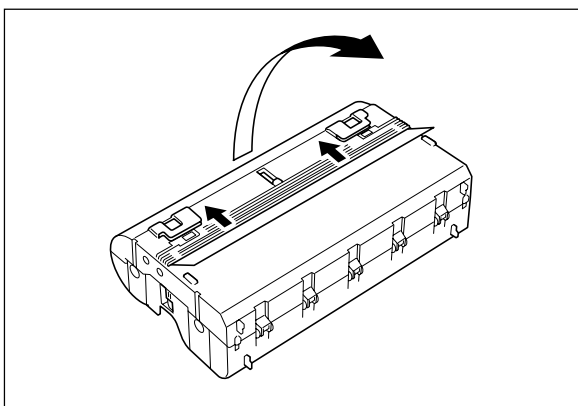
Cartridges can be recycled by replacing the film roll. Be sure to use Brother-authorized LC film refills only. Refill cartridges using the following instructions:

ENGLISH

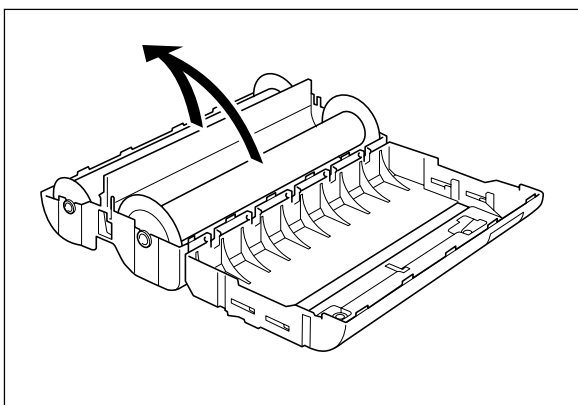


- (1) Remove the film cartridge from the machine being careful not to grab the cartridge by the shutter.

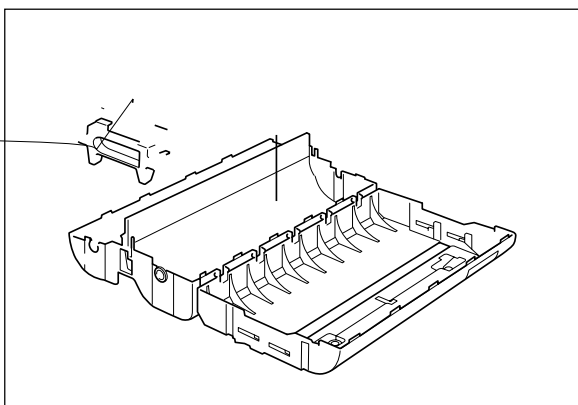
Note
If the film is stuck, turn on the machine and press the **Cut** button to remove the excess film.



- (2) Open the film cartridge by sliding the shutter in the direction of the arrows until it locks into place. Open the film cartridge by gently separating the clear top cover from the gray bottom cover.



- (3) Remove the old film roll from the cartridge.



- (4) Take the new refill roll of film from the sealed package. Remove the separator sheet. Holding the yellow colored plastic side holders of the film roll. Place the film into the cartridge as illustrated. The film can only be placed into the cartridge in the correct direction.

Note

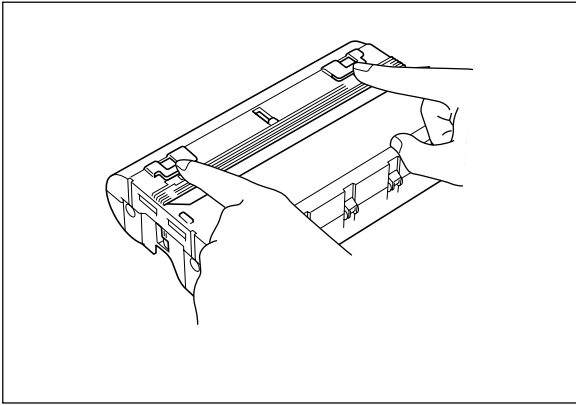
Remove the separator sheet between film rolls before placing the rolls into the cartridge.

Do not grasp the rolls when installing.

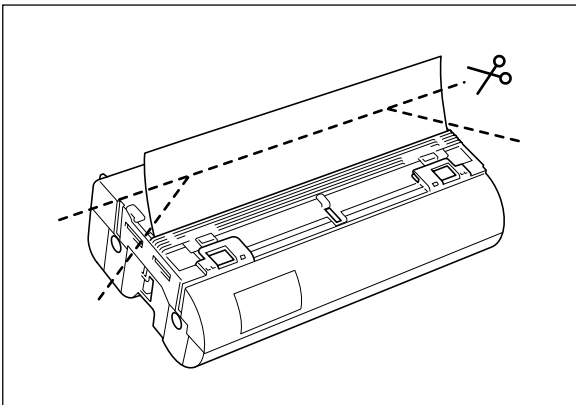
9" and 4.8" refill rolls may have different side holders. Please refer to the directions that are packed with the refill roll.

- (5) Remove the side holders (yellow color) of the film roll.

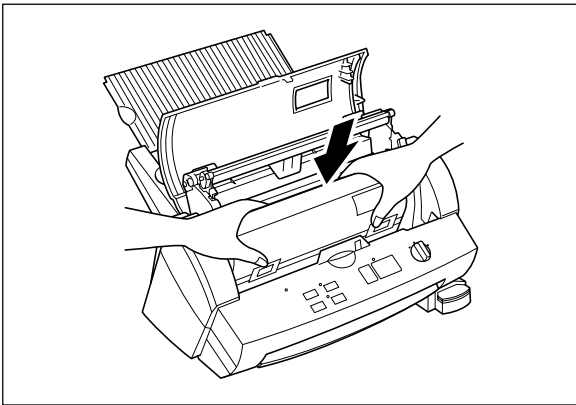
- (6) Close the film cartridge. Making sure that the leading edge of the film sticks out of the film slit.



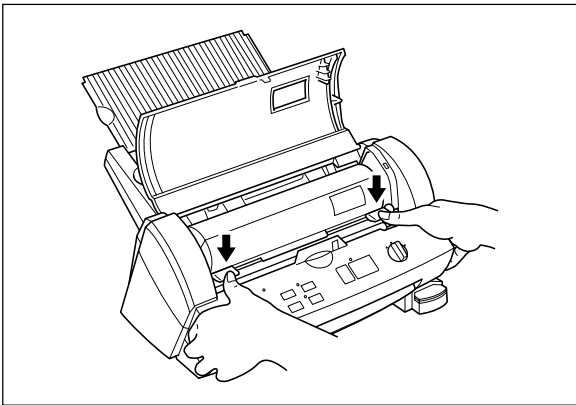
(7) Press on the two shutter buttons marked "PUSH" to release the shutter.



(8) The top edge of film should be aligned with the cutting line of the cartridge. If any film extends beyond the cutting line, cut away the excess film as illustrated before installing the cartridge into the machine.



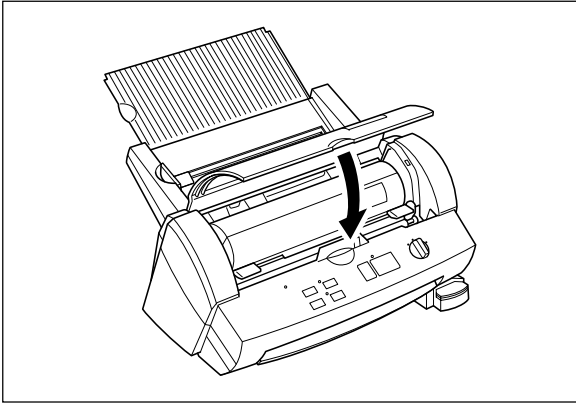
(9) Install the cartridge into the machine.



(10) Return the roller holder to its original position and press the roller holder levers as illustrated. You will hear the roller holder click into place.



ENGLISH



(11) Close the top cover.

(12) Turn the POWER dial to Cutter Off, Border or No Border. Press the **Feed** button until you can see the edge of the film to remove any slack from the film.



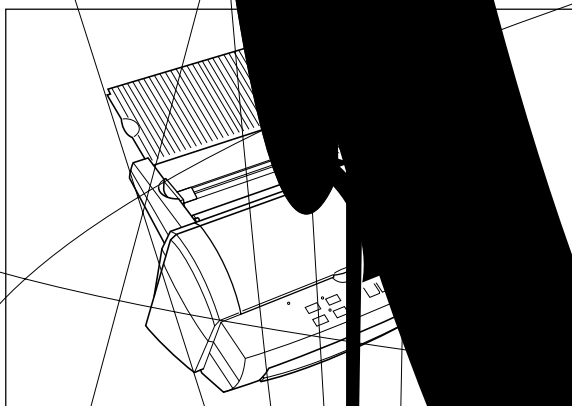
CAUTION:

To prevent the film from drying out, never open the sealed pack until you are ready to install the cartridge.

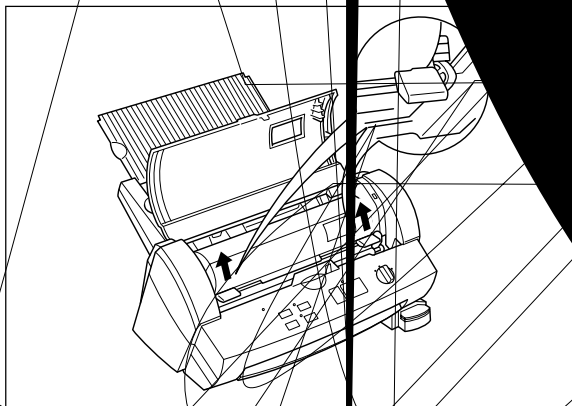
Using S for 4.8" (A6) film cartridges

ENGLISH

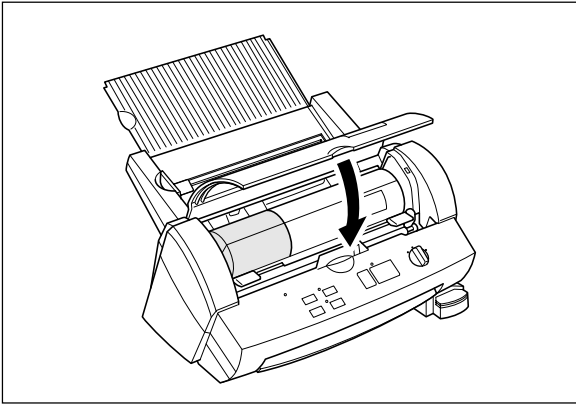
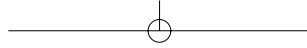
(1) Turn the POWER dial to OFF and open the top cover.



(2) Pull the roller holder levers up and lift the roller holder upwards.



(3) Remove the



(7) Close the top cover.

(8) Turn the POWER dial to Cutter Off, Border or No Border. Press the **Feed** button until you can see the edge of the film to remove any slack from the film.

ENGLISH

Regular maintenance and troubleshooting

You can keep your machine in optimum condition by cleaning it on a regular basis.

ENGLISH

Regular maintenance

Avoid small debris and objects

Be careful not to let anything slip into the machine, especially metal objects such as paper clips and staples. For optimum lamination results, do not place the machine and cartridges in a dusty environment.

Cleaning

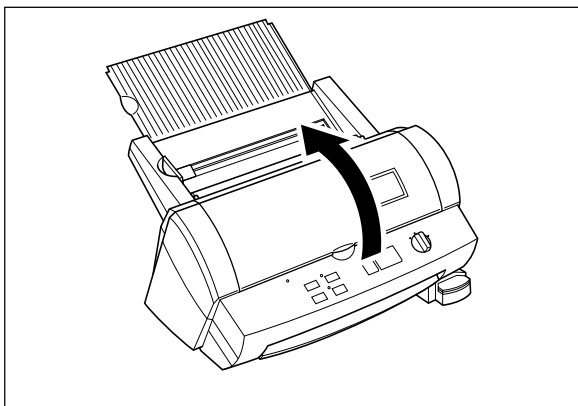
Never use volatile liquids such as thinner or benzene to clean the exterior surface of the machine. Use only a soft cloth dampened with a diluted mild detergent solution for the exterior. Use **ONLY** a soft, dry cloth for cleaning the interior.

Paper jams

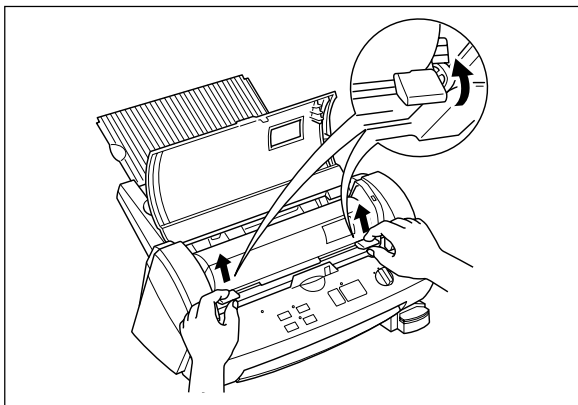
The machine will sound an alarm if a document jams while going through the feeder. The Error indicator will blink and the buzzer will sound.

Clearing a document jam

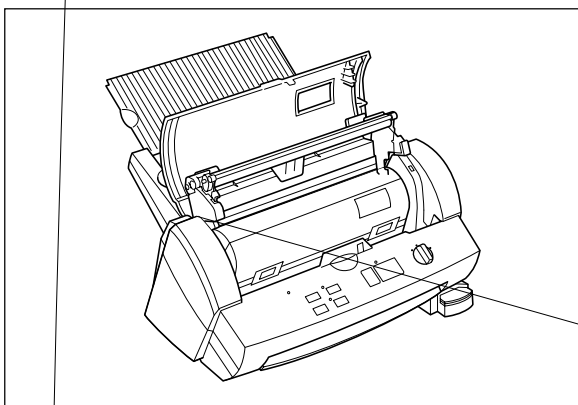
(1) Turn the machine off.



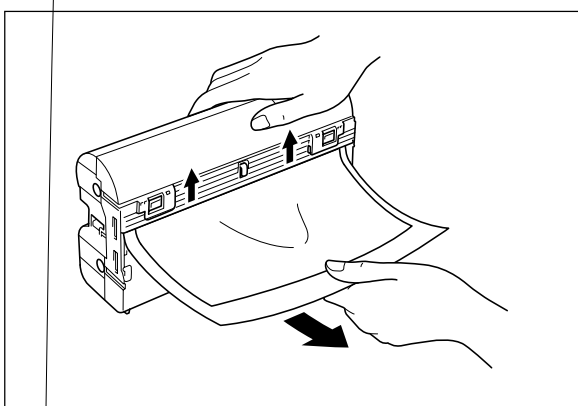
(2) Open the top cover.



(3) Pull the roller holder levers up and lift the roller holder upwards.

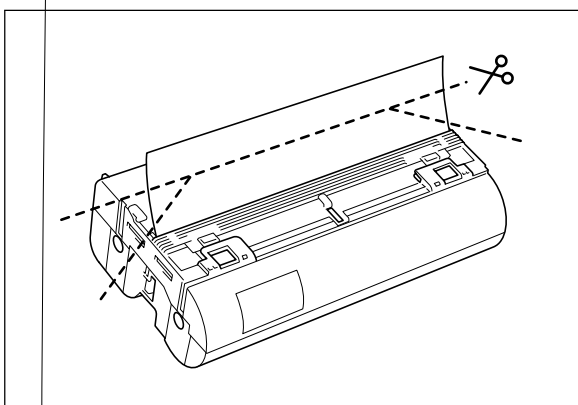


(4) Remove the film cartridge from the machine.



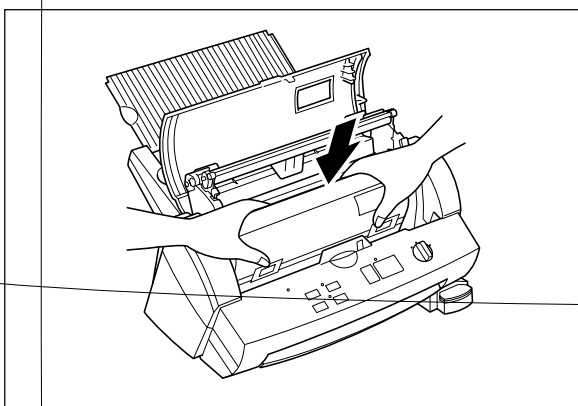
(5) Open the cartridge shutter and remove the document from the film slit of the cartridge.

Note
Do not pull the document from the opposite side.



(6) Remove any excess laminating film by cutting along the engraved "cutting line" on the cartridge before reinserting the cartridge.

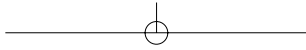
Note
Make sure that the shutter of the cartridge is closed. If open, push the shutter buttons to close the shutter.



(7) Place the film cartridge into the machine.

Note
Make sure that the film is installed correctly. *Note*

origi



Replacing the side cutter units

Cutter performance will decline as blades become dull through use or become coated with adhesives. Follow these steps to replace the side cutter units.

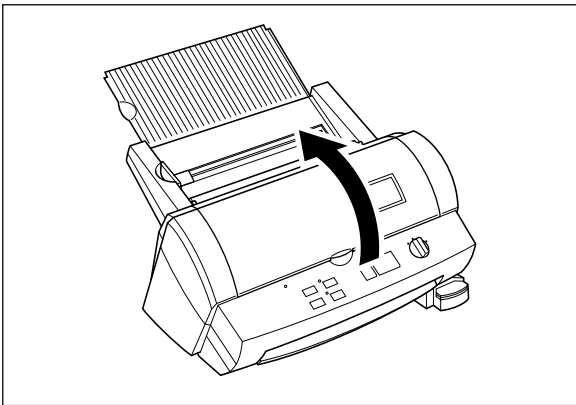


CAUTION:

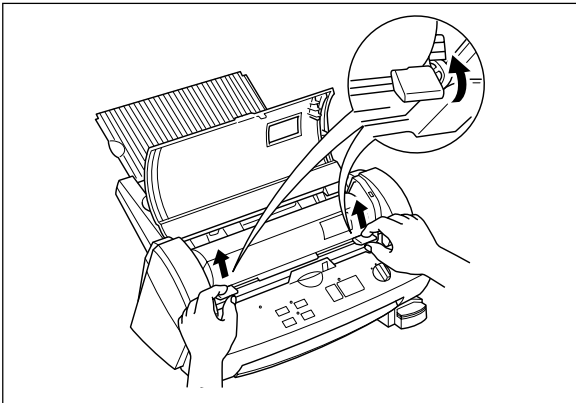
Do not touch the surface of the blade when replacing the cutter units. Handle the blades with great care to avoid personal injury.

Side cutter units (SC-2)

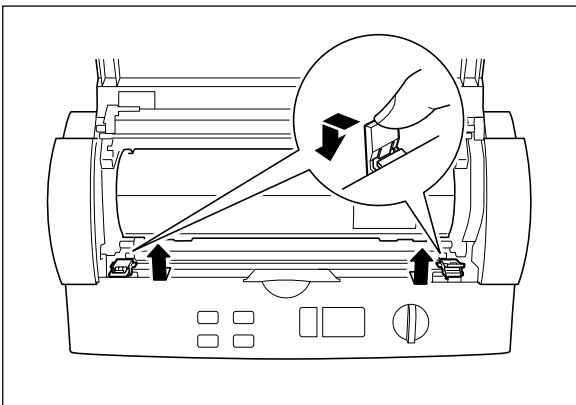
(1) Turn the machine off.



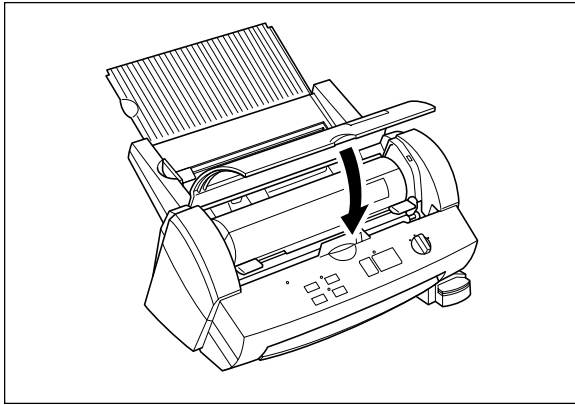
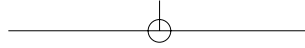
(2) Open the top cover.



(3) Pull the roller holder levers up and lift the roller holder upwards.



(4) Push the yellow colored tab of side cutter unit to release the lock as illustrated.



(9) Close the top cover.

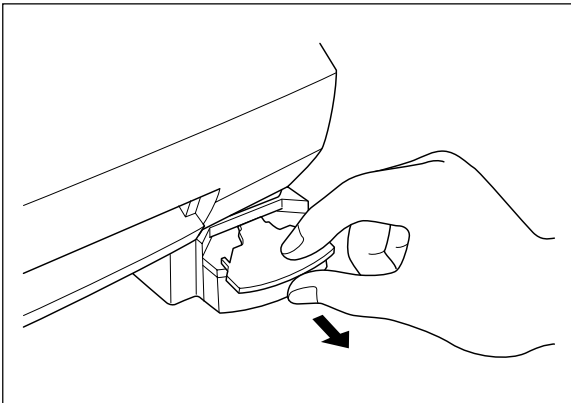
ENGLISH

(10) Press the **Feed** button until you can see the edge of the film to remove any slack from the film.

Replacing the corner cutter trimmer tray

The cutter performance will decline as the blade becomes dull. You can improve the performance of the blade by replacing the corner cutter trimmer tray. You can use both sides of the corner cutter trimmer tray. To use the other side simply remove the corner cutter trimmer tray as shown below and reinsert it with the other side up. Install a new corner cutter trimmer tray after both sides are worn.

Use the following operation to replace the corner cutter trimmer tray when necessary.



Corner Cutter Trimmer Tray (CC-3)

(1) Remove the corner cutter trimmer tray as illustrated.

(2) Install the new corner cutter trimmer tray.

Note

Use Brother authorized cutter units (SC-2 or CC-3) only. Other cutter units, (top/bottom cutter unit and the upper blade of the corner cutter) are not user replaceable. Please consult your dealer if these cutter units become dull or damaged.

Troubleshooting

ENGLISH

Problem	Cause	Solution
Nothing happens after the machine has been turned on.	The AC adapter is not connected properly.	Check that the machine is plugged into a power source.
	The top cover is not completely closed.	Close the top cover.
The document will not feed into the machine and the alert buzzer sounds (two times).	The document was not properly placed into the machine.	Remove the document and place it correctly in the document tray. Press Start again.
	The document is too thick or too thin.	The minimum and maximum thickness of paper that can be used with this machine are 0.004" (17 lbs.) - 0.008" (40 lbs.).
	The document is wrinkled or curled.	Curled, wrinkled documents cannot be laminated.
	The width of the document is too narrow or too wide.	The width of the document must be between 2.0" (50mm) and 11.7" (297mm).
	The document is too small.	Documents must be at least 3.5" (90mm) long.
	The width of film cartridge is narrower than inserted document.	Install the proper film cartridge.
The laminator stops while laminating a document, the Error indicator is blinking and the alert buzzer sounds	There is no more film in the cartridge.	Change the film cartridge.
	The document is jammed.	Remove the jammed document.
The laminator stops while laminating a document, the Start LED is blinking.	The document length is more than 18.5" (470mm) long.	Press the Start button to continue the process.
Output quality is poor.	The document is too thick or too thin.	The minimum and maximum thickness of paper that can be used with this machine are 0.004" (17 lbs.) - 0.008" (40 lbs.).
	The document is wrinkled or curled.	Curled, wrinkled documents cannot be laminated.
	The document is too small.	Documents must be at least 2.0" (50mm) wide and 3.5" (90mm) long.
The document will not feed straight.	The document is not set properly.	Set the document properly.
The extra laminate around the document is not trimmed after processing.	The cutter units are not installed properly.	Check to see if the cutter units are installed in the machine properly.
	The cutter units have been damaged.	Replace the cutter units. You can replace the side cutter units and Corner Cutter Trimmer Tray. It is not possible to replace the top/bottom cutters. If these cutter units do not work properly, please consult your dealer.
	Cutter Off Mode is selected.	Change the setting of the POWER switch.
The cutting position is not accurate (top/bottom)	The paper sensor is damaged.	Please consult your dealer.
Documents made with the Adhesive Lamination will not stick.	Adhesive film has not been loaded into the machine.	Use Brother Adhesive Film Roll LC-A12, LC-A9 or LC-A5.
	The liner of the adhesive film has not been peeled away.	Remove the liner using the crack and peel on the back of the document.
	You are trying to place the adhesive document on a surface that is dirty or rough.	Wipe the surface clean or try a different surface.
The Error indicator blinks and the alert buzzer sounds when the machine is turned on.	The film cartridge is not installed properly or an incompatible film cartridge is installed.	Install the film cartridge properly. Use Brother authorized film cartridges and film refills only.
	The proper AC adapter is not being used.	Use a Brother authorized AC adapter.
The Error indicator blinks and the alert buzzer sounds when the top cover is closed	The film cartridge is not installed properly or an incompatible film cartridge is installed.	Install the film cartridge properly. Use Brother authorized film cartridge and film refills only.
The power dial cannot be turned.	The side cutter units are not installed properly.	Check the side cutter units and install them properly.
The film has creases or bubbles.	The refill is not installed correctly in the cartridge.	Check to make sure the refill is installed correctly and press the Feed button until the creases and bubbles disappear (should be okay after a few inches of film have been fed).

Specifications

Model number:	LX-1200
Processing method:	Cold pressure method
Power supply:	AC adapter (included) USA 120V±10% (60Hz) Output DC 18V 700mA
Min./max. width of document:	2.0" – 11.7" (50mm – 297mm)
Min. length of document:	3.54" (90 mm)
Min./max. thickness of document:	0.004" - 0.008" (0.1mm/3.9MIL – 0.2mm/7.9MIL)
Film:	Refillable cartridge film
Film type:	LC-D12/D12R (12.0"/A3 width double-side laminate) LC-A12/A12R (12.0"/A3 width adhesive laminate) LC-D9/D9R (9.0"/A4 width double-side laminate) LC-A9/A9R (9.0"/A4 width adhesive laminate) LC-M9/M9R (9.0"/A4 width magnetic-back laminate) LC-D5/D5R (4.8"/A6 width double-side laminate) LC-A5/A5R (4.8"/A6 width adhesive laminate) LC-M5/M5R (4.8"/A6 width magnetic-back laminate)
Max number of output/cartridge: (continuous mode)	LC-D12: About 86 sheets/11" × 17" paper LC-D12R: About 86 sheets/11" × 17" paper LC-A12/A12R: About 20 sheets/11" × 17" paper LC-D9/A9: About 68 sheets/Letter paper LC-D5/A5: About 121 sheets/4" × 6" paper LC-M9: About 13 sheets/Letter paper LC-M5: About 21 sheets/4" × 6" paper
Document feed speed:	0.98"/sec. (25mm/sec.)
Cutting system:	Built-in cutting system with paper size detection Side cutter units (replaceable) Top/bottom cutter unit (non-replaceable) Corner cutter unit (replaceable – cutter trimmer tray only)
Life of the cutter:	Side cutter units About 984 feet (300m) Top/Bottom cutter unit About 5000 sheets (used with adhesive with laminate film) Corner cutter unit (Upper) 20,000 times Corner cutter trimmer tray 3,000 times
Noise level:	35 dB (stand-by mode)
Unit dimensions:	468mm (W) * 387mm (D) * 273mm (H) (18.3" * 15.2" * 10.8")
Unit weight (not including film cartridge and AC adapter)	8.3kg (18.3lbs.)



Index

A

AC adapter	6,9,38
Adhesive back laminate film	12
Adhesive sticker	22
Alert buzzer	38
Auto Cross Cutting System.....	14,15
Auto Cut Mode Border	15
Auto Cut Mode Cutter Off	5,15,38
Auto Cut Mode No Border	15

B

Border.....	8,15
Business card-size paper	13
Buzzer	11

C

Cartridge.....	8
Cartridge cover	25
Compatible accessory list.....	6
Control panel	7,8
Corner cutter.....	20
Corner cutter dust box	7,21
Corner cutter slot.....	7,20
Corner Cutter Trimmer Tray	7,37
Corner cutter unit.....	20
Cut button	8
Cutter unit.....	35,38
Cutting line.....	8,27
Cutting Position	15

D

DC connector.....	7,9
Dial	15
Document guide	7,10
Document jam	32
Document output	7
Document supporter	7,10
Document tray	7,10,11,16
Dust box	21

E

Electrical outlet	9
-------------------------	---

F

Feed button	8,19,24,34,37
Film cartridge	6,22,23,24,25,26,33,38
Film cartridge cover.....	8
Film refill.....	22
Film roll	22,25,26
Film slit.....	8,33
Function button	7

M

Margin	15
--------------	----

N

No Border.....	8
----------------	---

O

Owner's manual	6
----------------------	---

P

Paper jam.....	32
Paper length.....	13
Paper thickness.....	13
Paper width	13
Plastic side holder	8,26
Power dial	8,9
Professional, self-adhesive stickers	22

R

Roll film	7,26
Roller.....	7
Roller holder.....	7,24,32,35,36
Roller holder lever	7,23,24,32,34,35,36
Roller unit.....	7,24

S

Setup	9
Shutter	8,24,25,27,33
Shutter button	8,27,33
Side cutter	36
Side cutter arm	7
Side cutter unit.....	7,35,36
Side holder.....	26
Start button	9,11,38
Start/Stop button.....	8
Stickers	38
Supplemental PC software (CD-ROM)	6

T

The Auto Cross Cutting System.....	14
The Auto Sheet Feeder	14
Top cover.....	7,23,24,32,34,37,38
Top/bottom cutter units	5
Type of paper.....	13

V

Viewing window	5
----------------------	---

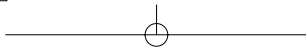


Table of Contents

ENGLISH

Appendix (About PrintMaster Gold Software)	43
Getting Started	45
System Requirements	45
Starting PrintMaster Gold in Windows 95/98	45
Starting PrintMaster Gold in Windows 3.1x or Windows for Workgroups	45
Installing PrintMaster Gold	46
Launching PrintMaster Gold after installing	46
Removing PrintmMaster Gold	46
Reinstalling PrintMaster Gold	47
Viewing/Printing PrintMaster Gold user's manual	48
How to install the Adobe Acrobat Reader	48
How to open the manual	48
The World of PrintMaster Gold	49
THE HUB SCREEN	49
The workspace	50
Menu Bar	50
The Global Toolbar	51
Text Toolbar	51
Add Toolbar	52
Modify Toolbar	53
Place Toolbar	53
Status bar	54

Appendix (About PrintMaster Gold Software)

Mindscape and PrintMaster are registered trademarks and the Mindscape logo is a trademark of The Learning Company all logos and trademarks are the property of Mattel Interactive.

Adobe and Acrobat are trademarks of Adobe system Incorporated.

Windows is a registered trademark of Microsoft corp. in the U.S. and other countries.

IBM is a registered trademark of International Business Machine, Inc.

You don't need a computer to use the Cool Laminator. However, if you have a computer and printer, the bundled PC software, PrintMaster Gold makes it easy to produce beautiful projects you'll love to show around. Simply choose from PrintMaster Gold's selection of beautiful, ready-to-print designs, make any changes you want, and you're ready to print. It's really that easy!

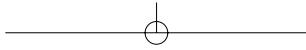
Note:

Each time when you use PrintMaster, you will have to insert the PrintMaster Gold CD-ROM to your PC.

If you have any technical problems with this software, please contact the technical service department of the software company The Learning Company.

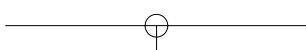
The list of Technical Support is as follows.

Country	Location
USA	Online Support Request Form: www.expressit.com Technical Support Email: help@tlcsupport.com (Note : the web site is spelled: TLCSUPPORT.COM) Online Technical Library: www.support.expressit.com 24 Hour Fax: 319-395-9600 Technical Support Call Center: 319-247-3333 Business Hours: 8:00 AM - 6:00 PM (CST) Mailing Address Mattel Interactive 1700 Progress Drive PO Box 100-TS Hiawatha, IA 52233-0100 USA Attn: Printmaster 4 Publishing Suite
UK	Tech Support e-mail: uksupport@learningco.com Phone: 09062165432 (Calls cost 25p/min & may be monitored/recorded. Correct at Apr 1999) Facsimile: 09062165433 (All calls cost 25p/min. Correct at Apr 1999) Mail: The Learning Company PO Box 121 Crawley RH11 9YP ENGLAND Attn: Printmaster 4 Publishing Suite
AUSTRALIA	Phone: 61-2-9899-2277 Facsimile: 61-2-9899-2348 Mail: Unit 6 372 Eastern Valley Way Chatswood NSW 2067 Australia



ENGLISH

GERMANY	<p>Keltenring 12 82041 Oberhaching Germany</p> <p>Tel: ++49 89/613 092 35 Fax: ++49 89/14827-411</p> <p>E-mail: hotline@learningco.com</p>
FRANCE	<p>122, avenue de General Leclerc 92514 Boulogne Cedex France</p> <p>Tel: +33 1 55 38 48 58 E-mail: supportfr@learningco.com Web: http://www.tlc-edusoft.fr</p>
NETHERLAND	<p>PO Box 94791 1090 GT Amsterdam The Netherlands</p> <p>Tel: 0900 8524357</p> <p>E-mail: nsupport@learningco.com</p>





Getting Started

Before installing, check the system requirements listed below to make sure your computer is able to work with PrintMaster Gold.

System Requirements

PrintMaster Gold performs on any computer with the following features:

- IBM PC with a 486DX2 66 MHz (or higher)
- Windows 95, Windows 98, Windows 3.1x/Windows for Workgroups (running in 386 Enhanced Mode)
- 8Mb or more of RAM (16Mb recommended)
- 30Mb or more of free hard disk space
- Double-speed or better CD-ROM drive
- Microsoft mouse or 100% compatible
- Sound Blaster or 100% compatible sound card (recommended)
- Hayes or 100% compatible modem (optional)

Print Support: PrintMaster Gold provides the highest resolution output possible on all back & white or color printers supported by Windows. Be sure you have enough color ink cartridges before printing. We suggest you print out your projects on the best paper (usually glossy) your printer will support.

Graphics Support: PrintMaster Gold provides a large selection of spectacular full color CGM, TIFF, PSD, and JPG images and works with all other popular graphic formats: PCX, TIF, GIF, WMF, BMP, and Kodak Photo CD.

Font Support: PrintMaster Gold will work with any other True Type fonts that are installed in Windows.

Starting PrintMaster Gold in Windows 95/98

Follow these step-by-step instructions to install PrintMaster Gold onto your hard disk.

When running under Windows 95 or 98, the PrintMaster Gold CD-ROM provides support for the **autorun** feature as described below:

1. Insert the PrintMaster Gold CD-ROM into your CD-ROM drive and the installation program will automatically start.
2. Proceed to the next section entitled, Installing PrintMaster Gold.

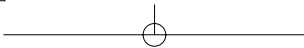
If the Windows 95 or 98 autorun is not currently enabled on your system, then begin the PrintMaster Gold installation as follows:

1. From the **Start** menu click **Run**.
2. At the command line specify the drive letter where the PrintMaster Gold CD-ROM is located and type **INSTALL** (Example: **D:INSTALL**). Press **ENTER** or click **OK** to proceed.
3. Proceed to the next section entitled, Starting PrintMaster Gold.

Starting PrintMaster Gold in Windows 3.1x or Windows for Workgroups

Follow these step-by-step instructions to install PrintMaster Gold onto your hard disk.

1. Open the Program Manager's File menu and select Run.
2. Specify the drive where the CD-ROM is located and type **INSTALL** (Example: **D:INSTALL**) for the Command Line and press **ENTER** or click **OK** to proceed.
3. Proceed to the next section entitled, Installing PrintMaster Gold.



Installing PrintMaster Gold

1. Click the Install button or press **ENTER** to continue the installation.
The PrintMaster Gold Installation screen appears with the default drive and directory, which you may change or accept as shown.
2. Click **Continue** or press **ENTER** to install PrintMaster Gold into the default directory, C:\PMW. or Click the **Custom** button to install PrintMaster Gold into the drive and directory of your choice.

Launching PrintMaster Gold after installing:

In Windows 95/98:

1. Start Windows in the usual manner. The installation process creates a new menu group for PrintMaster Gold in the Program section of the Start menu.
2. Click Start on the bottom left side of the window.
3. Click Programs, then open the PrintMaster Gold group and click the PrintMaster Gold icon.

NOTE:

You can also double-click the PrintMaster Gold icon in the PrintMaster Gold group window.

To use the autorun feature in Windows 95/98:

1. Start windows in the usual manner.
2. Insert the PrintMaster Gold CD-ROM. The autorun feature in Windows 95/98 will automatically start the program.
3. Click Run to proceed past the title screen.

In Windows 3.1x

1. Open the Program Manager and double-click the PrintMaster Gold subdirectory.
2. Double-click the PrintMaster Gold icon.

Removing PrintMaster Gold

To remove an existing version of PrintMaster Gold from your computer, use the **Uninstall** feature. If you have a previous version of PrintMaster Gold, we suggest you remove it first.

NOTE:

Removing PrintMaster Gold will also remove any previous projects and address books you have created in the PMW directory. If you would like to save these, please save the files into another directory.

In Windows 95/98

1. Click the Start button at the bottom left of the screen. A popup menu will appear.
 2. Find your PrintMaster Gold group submenu. In it, click the Remove PrintMaster Gold icon.
 3. Follow the on-screen instructions. PrintMaster Gold will be removed from your hard drive.
- Or,**
1. Start Windows 95/98.
 2. Insert the PrintMaster Gold CD-ROM.
 3. When the PrintMaster Gold opening screen appears, click Remove. Then, follow the on screen directions.

In Windows 3.1x

1. Find the PrintMaster Gold group on the Program Manager.
2. Double-click the group to open its contents.
3. Double-click the Uninstall icon.
4. Follow the on-screen instruction. PrintMaster Gold will be removed from your hard drive.

Reinstalling PrintMaster Gold

Though unlikely, PrintMaster Gold files may become corrupted and the program may not run properly. If so, you can reinstall PrintMaster Gold, which cleans out all old files and restores original functionality.

In Windows 95/98

1. Start Windows 95/98.
2. Insert the PrintMaster Gold CD-ROM.
3. When the PrintMaster Gold opening screen appears, click Reinstall, then follow the on-screen instructions.

NOTE:

Reinstalling will delete all of your stored projects in Your Own file.

In Windows 3.1

1. In the PrintMaster Program group, click Install.
2. Follow the onscreen directions. PrintMaster Gold will reinstall all programs and art files over the old files.

NOTE:

Reinstalling will delete all of your stored projects in Your Own file.



Viewing/Printing PrintMaster Gold user's manual

ENGLISH

The full contents of user's manual is stored in the PrintMaster Gold CD-ROM.
Please install the Adobe Acrobat Reader to see the online manual.

How to install the Adobe Acrobat Reader

1. Double click the file Ar32e301 in the Acrobat 3 folder on the CD-ROM.
2. Please proceed the operation.

System Requirements.

X86- based personal computer (386 minimum 486, pentium, or pentium pro recommended)
Microsoft Windows 3.1x, 95, 98
4MB application RAM
5MB hard disk space plus 7MB additional temporary disk space available during installation.

How to open the manual

1. Double click the file manual.pdf in the PrintMaster Gold CD-ROM. The full contents of manual will be displayed on the screen.

Note

The program Acrobat Reader should in installed on your PC to open the file. Please refer to the above section.

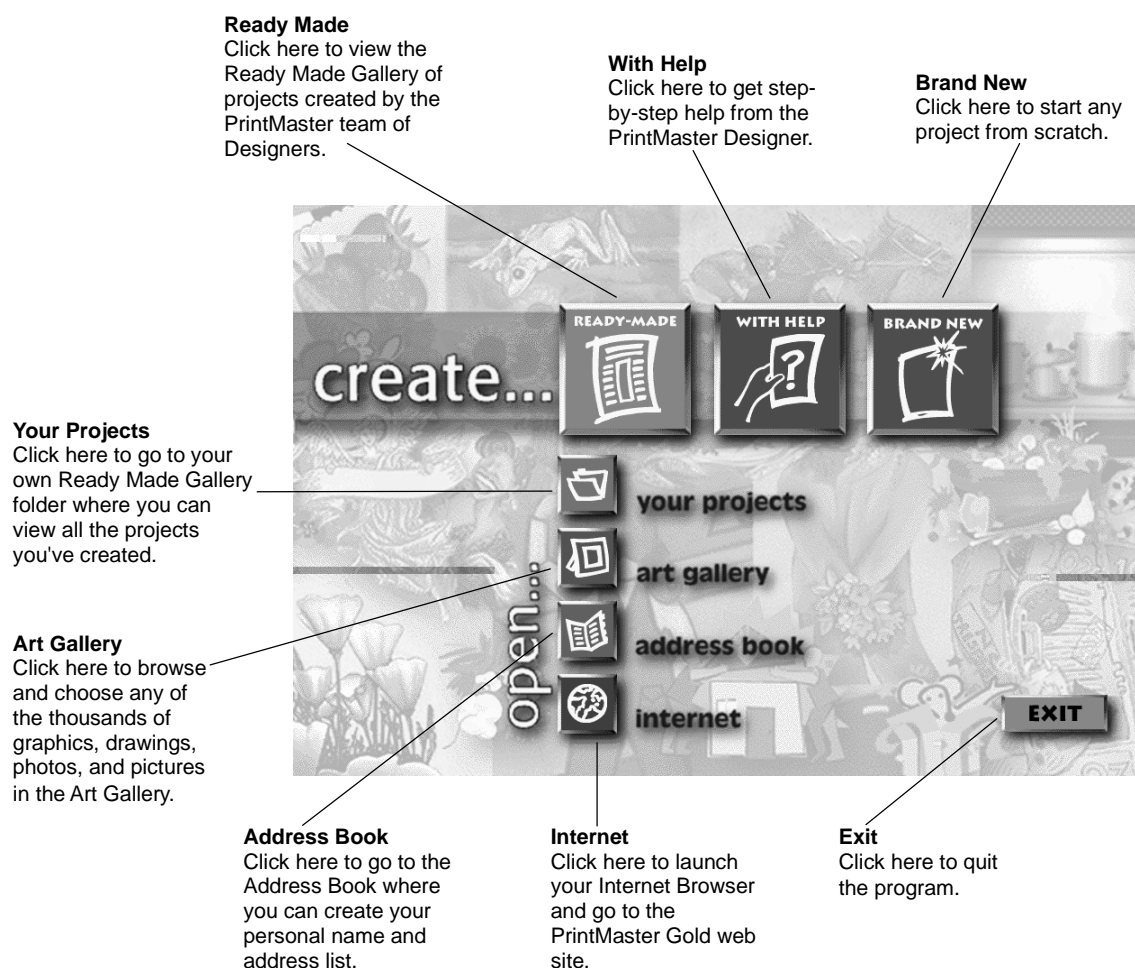
The World of PrintMaster Gold

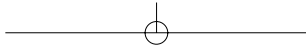
This section introduces you to the PrintMaster Gold environment. As soon as you open the program, you'll notice PrintMaster Gold has several interrelated areas, each with its own individual purpose and look. Each area—including the Hub, Art Gallery, Sentiments Gallery, With Help Designer, and Workspace—offers you different tools to help create a unique card, calendar, or newsletter. If you are a new user, we suggest you first browse through the features in each area to get a basic understanding of the creative possibilities in PrintMaster Gold.

THE HUB SCREEN

After you launch PrintMaster Gold, the first thing you will see is the Hub screen. The Hub is where you can choose the kind of help you want creating a project, choose to work on a Ready Made, view art in the Art Gallery, or launch your Internet browser and go to the PrintMaster Gold Web site.

Once you have decided on the type of project you would like to work on, click one of the buttons above to go there. You can always return to the Hub by closing the project you are working on, or clicking Back in the With Help windows.



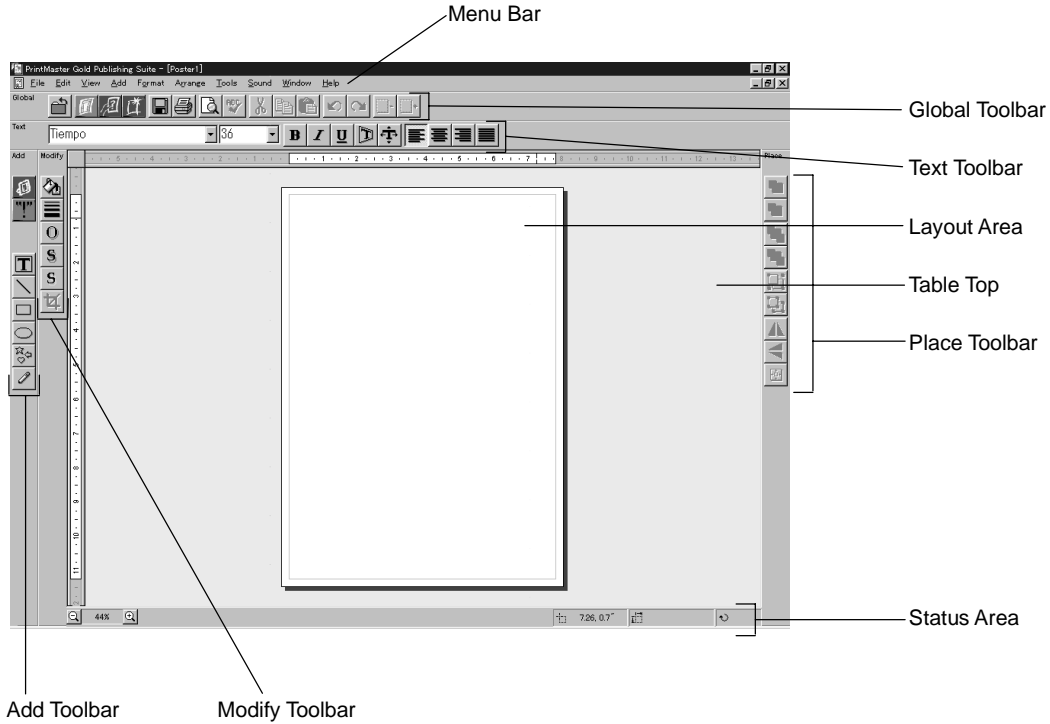


The workspace

The Workspace is your own personal drafting board, with all the text, drawing, and editing tools you'll need to make a beautiful project. Here, you can put the finishing touches on your project, add new pictures, type in your personal message, and print.

Below, we will introduce you to the main menu bar and the five toolbars in the Workspace. We suggest you browse through them to get an idea of the possibilities, then jump right in and start designing.

ENGLISH

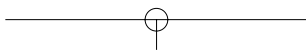


Menu Bar:



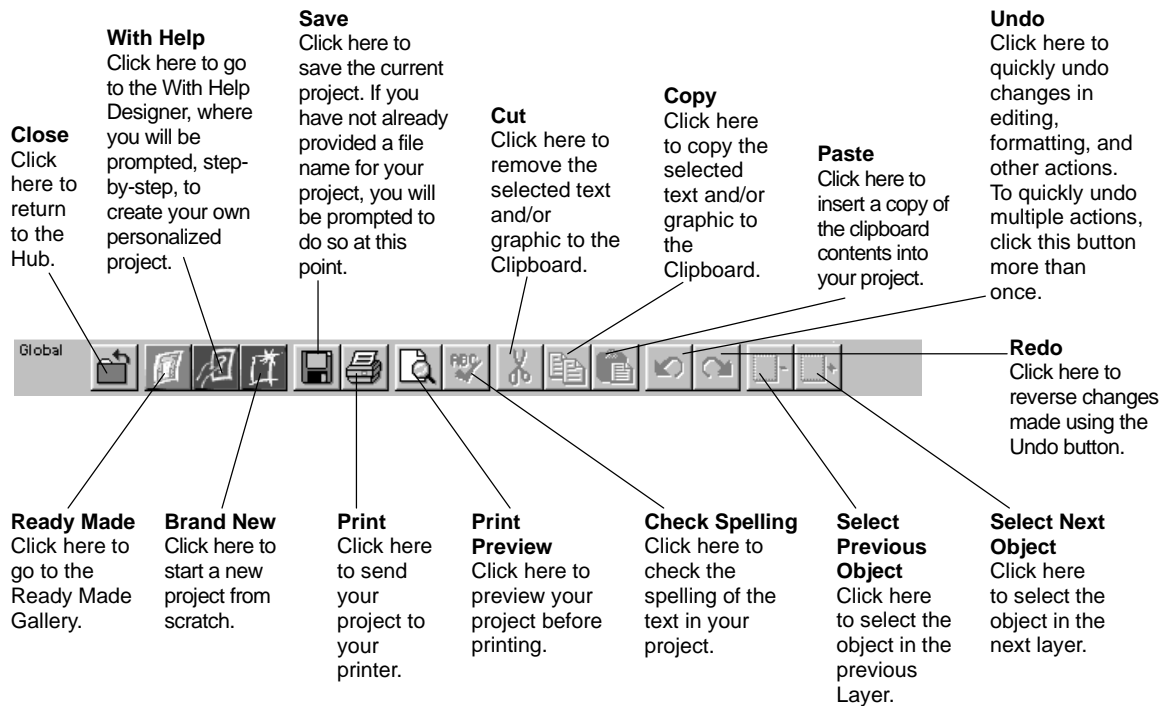
Like most Windows applications, PrintMaster Gold has a menu bar at the top of the screen. The menu bar provides access to all PrintMaster Gold command features, including File, Edit, View, Format, and Sound functions.

Use your mouse (or the **ALT** key) to pull down these menus to see their contents. (See the section entitled: Mouse and Keyboard Conventions later on in this guide for more details).



The Global Toolbar

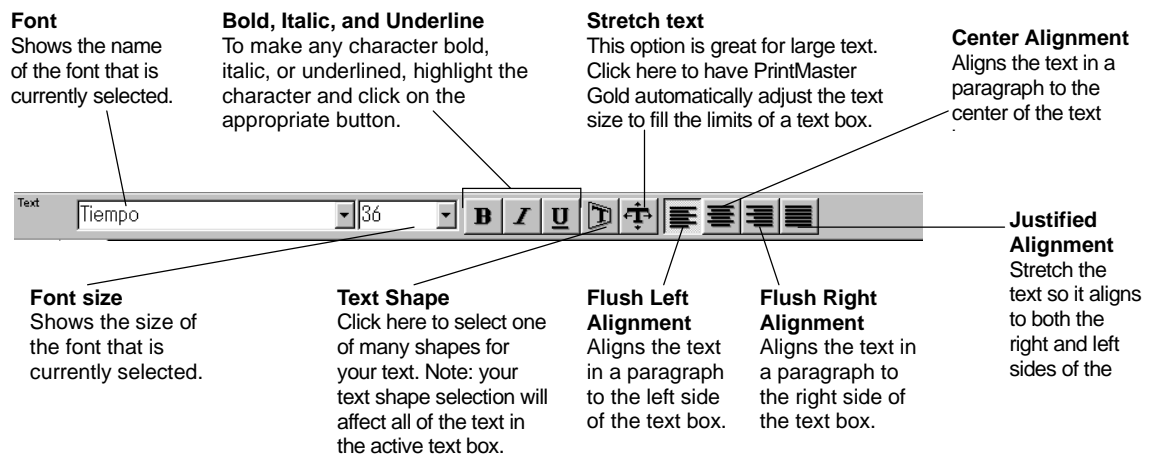
The Global Toolbar, which is displayed across the top of the Workspace, provides quick mouse access to some of the most commonly used PrintMaster Gold actions such as closing the current project, going to the Ready Made Gallery, starting a With Help project, and starting a Brand New project. These buttons are also one-step alternatives to using the menu bar for saving, printing, viewing Print Preview, cutting, Pasting, and others. To hide or display the Global toolbar, access the **View** menu, then **Toolbars/Global Bar**.



Text Toolbar

The Text toolbar is where you can make adjustments to the text in your project. Notice that whenever you click on text in your project, the Text toolbar will be immediately updated. You can also use this toolbar to bold, italicize, stretch, bend, or align your text.

To hide or display the Text toolbar, access the **View** menu, then **Toolbars/Text Bar**.



Add Toolbar

The Add toolbar holds all the tools you need to add graphics, sentiments, and your own art to your project. To hide or display the Add toolbar, access the **View** menu, the **Toolbar/Add Bar**.

Add a picture Click here to go to the PrintMaster Art Gallery. In the Art Gallery, you can choose from thousands of graphics, pictures, photos, and borders for your project. Select or Double-click a picture preview in the Art Gallery and your selection will be placed on your project in the Workspace.

Add a Sentiment Click here to view the thousands of fun, sentimental, warm, and serious sentiments we've gathered in the Sentiments Gallery. Search by type or keyword for the sentiment you want, then select the sentiment and it will be inserted into your project automatically.

Text Box Click here to add text to your project. After clicking this button, your cursor will turn into a 'text' crosshair. You can then either drag (with the mouse button down) across the project to create a text box, or just click once on the project and start typing.

Line Click this tool to draw a straight line on your project. To keep your line horizontal, perpendicular, or at a 45-degree angle, hold down the shift key while you drag the cursor across your project.

Rectangle Use this tool to create a rectangle on your project. by holding down the shift key, your box will be held to a perfect square.

Ellipse Use this tool to create an ellipse. By holding down the shift key, your drawing will be held to a perfect circle.

Shape Click on this tool to view a wide selection of shapes you can place on your

Modify Toolbar

Use the Modify toolbar to make adjustments to your art and text. With these tools, you can easily change the color of text and pictures, change line widths, add shadows, and crop pictures. To hide or display the Modify toolbar, access the **View** menu, then **Toolbars/Modify Bar**.

Color Use the tool to add color to your pictures and text. First select the picture or text you want to color, then select this tool. You will then see a selection of colors to choose from.

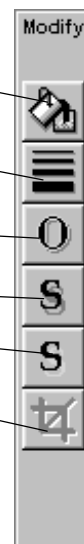
Line Width Use this tool to change the line width of your drawing or the outside border of a shape.

Line Color Use this tool to change color of the border line of a picture.

Shadow Use this tool to add a shadow to your text or shapes.

Shadow Color Use this tool to choose the color of the shadow behind your text or shapes.

Crop Use this tool to crop out the part of a picture or shape you do not want to see. Just select the picture you want to crop, click on this tool, and then move the handles on the picture to only show the part you want to see. Or, you can move the picture within its 'window'. The picture will still be intact, but you will only be able to see a portion of it.



Place Toolbar

The Place toolbar is a selection of automatic tools for working with all objects in PrintMaster Gold. With these tools, you can easily select pictures partially hidden behind another, group together objects you want to move as one, or flip pictures horizontally and vertically. To hide or display the Place toolbar, access the View menu, then **Toolbars/Place Bar**.

Forward One Click this tool once to bring the active object up one level.

Backward One Click this tool once to push the active object back one level.

Send to Front Click this tool to bring the active object to the top of a stack of overlapping objects.

Send to Back Click this tool to send the active object to the bottom of a stack of overlapping objects.

Group Use this tool to group several objects together. First select all the pieces you want to group by clicking on them one by one while holding down the shift key, then click on group. The grouped objects will now act as one.

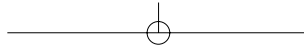
Ungroup Click this tool to ungroup several objects you have previously grouped.

Mirror This tool flips the active object horizontally.

Flip This tool flips the active object vertically.

Center on Page This tool centers the active object in the middle (half way between the top and bottom and left and right sides) of the project.





Status bar

The Status toolbar is displayed at the bottom of the PrintMaster Gold window. Use this area to change your view of your project or to check the accuracy of your measurements.

To hide or display the Status toolbar, access the **View** menu, then **Toolbars/Status Bar**.

ENGLISH

View Side Window Click either the left arrow or the right arrow to see the different sides of your project. You can also click directly in the middle of the View Side window to see a pop-up menu of different views.

Note: only available in cards, brochures, and newsletters.

Zoom to Area - This option changes the cursor into a magnifying glass, allowing you to drag across just the area you want to view close-up.

1. Select this option and position the magnifying glass to the left and above of the object you want to magnify.
2. Hold down the left mouse button and drag the magnifying glass across and down the layout screen until the item of focus is enclosed in a box. Then release the mouse button.

Select Dimensions This window shows the dimensions of the currently selected text box or picture. Click on this window for more size options.

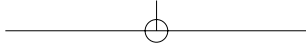


View Size Window Click the Plus or Minus magnifying glass to view your project closer or farther away. You can also click in the middle to view a pop-up menu of different viewing sizes.

Note: You can zoom in to your project in the workspace by typing the plus (+) key and zoom out by typing the minus (-) key on the number pad of your keyboard.

Location This window shows the cursor's location on the project page. If a picture is selected, the location window will show the picture's upper left corner location. The first number indicates the cursor or picture's location on the top ruler, while the second number shows the cursor or picture's location on the left ruler. Click on this window for more position options.

Rotation Angle This window displays the angle of rotation of the object selected. The number will increase or decrease as you rotate the object. Click on this window to custom rotate the object.



FRANÇAIS



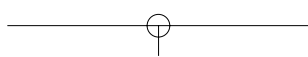
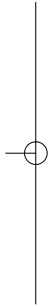


Table des matières

Prise en main.....	2
Caractéristiques.....	2
Précautions.....	3
Liste des équipements.....	4
Désignation des pièces	5
Extérieur de la machine	5
Intérieur de la machine.....	5
Panneau de commande	6
Cartouche de film	6
Installation	7
Mise sous tension/hors tension de l'appareil	7
Fonctionnement de la machine	8
Taille de document.....	11
Le chargeur automatique	12
Système de coupe automatique.....	12
Comment définir l'emplacement de coupe (création de marges).....	13
Mode de coupe automatique – Border (marge)	13
Mode de coupe automatique – No Border (sans marge)	13
Mode de coupe automatique – Cutter Off (désactivé) (pour les documents sensibles ou de forme irrégulière)	13
Mode de coupe automatique - Extra Border (Marge en plus)	14
Comment utiliser le mode continu (Continuous).....	15
Alimentation manuelle et coupe manuelle.....	17
Arrondisseur d'angles.....	18
Collecteur de découpe	19
A propos des rouleaux de film	20
Contrôle de l'approvisionnement en film	20
Remplacement de la cartouche de film	21
Installation/remplacement du rouleau de film dans la cartouche.....	23
Emploi d'une cartouche 9" (A4) ou 4.8" (A6)	27
Entretien périodique et dépiantage des pannes	30
Entretien périodique	30
Bourrages papier.....	30
Remplacement des lames de coupe verticale	33
Remplacement du plateau de coupe d'arrondis.....	35
Dépiantage des pannes.....	36
Spécifications	38



Prise en main

Merci d'avoir acheté une machine à plastifier à froid Cool Laminator Brother. Cette machine est spécialement conçue pour être facile d'emploi mais vous pourrez tirer pleinement parti de toutes ses fonctionnalités en prenant quelques instants pour lire ce guide d'utilisation.

Caractéristiques

FRANÇAIS

- Suivant le type de film utilisé, cette machine peut transformer une variété de documents en autocollants, en feuilles plastifiées sur deux faces, etc. d'aspect professionnel.
- Outre les tirages obtenus avec votre ordinateur ou votre machine à traitement de texte, vous pouvez plastifier des feuilles écrites à la main, des coupures de presse, des photographies, des télécopies ou tout autre type de document.
- Vos documents sont ainsi parfaitement plastifiés pour les protéger de l'eau, de la poussière, du jaunissement et des déchirures et pour leur donner un aspect de qualité professionnel .
- Cette machine ne nécessite aucune chaleur. Elle met en oeuvre une méthode de pression à froid inédite et des adhésifs spécialement formulés pour rendre l'opération sûre, simple et rapide.
- Vous pouvez commencer la plastification dès la mise sous tension de l'appareil (il n'est pas requis de préchauffage).
- La machine est dotée d'un chargeur automatique et d'un mécanisme de coupe automatique. Une fonction d'auto-détection de largeur et de longueur permet de garantir le dimensionnement précis de vos documents grâce au mécanisme intégré.
- Le film est facile à installer et à remplacer.
- Prise en charge d'une largeur maximale de 11,7" (A3 – 297 mm).

Précautions

Pour éviter les risques de blessure et pour ne pas endommager l'appareil, veuillez noter les mises en garde et les avertissements contenus dans le présent guide. Ils y figurent pour votre sécurité et pour vous signaler des manipulations susceptibles d'endommager votre machine.



AVERTISSEMENT :

- Ne tentez pas de réparer ou de démonter la machine vous-même. La garantie sera annulée si cette machine n'est pas révisée par un technicien agréé.
- Ne mettez pas les doigts sur les lames à l'intérieur de la machine.



ATTENTION :

- Ne tirez pas sur le câble d'alimentation électrique. Pour débrancher la machine, tirez sur la prise et non sur le câble.
- N'exposez pas la machine à un ensoleillement direct ou à une autre source de chaleur, à une humidité excessive ou à la poussière.
- Si vous renversez du liquide sur la machine, débranchez son câble d'alimentation électrique et contactez un technicien agréé.
- Débranchez la machine en cas d'orage.
- Ne posez pas d'objets lourds sur la machine.
- N'obstruez ni l'arrière ni les pans latéraux de la machine afin d'éviter toute surchauffe.
- Pour nettoyer la machine, employez un chiffon propre et sec (n'employez ni produits chimiques, ni diluants ou détergents).
- Pour éviter toute perturbation électrique, ne placez pas la machine près d'un récepteur radio ou d'un poste de télévision.
- Ne mettez pas la machine hors tension en cours d'opération sauf si elle présente un problème de fonctionnement.
- Lors de la plastification de documents délicats ou de forme irrégulière, désactivez le mode de coupe automatique.
- Mettez la machine hors tension si elle présente un problème de fonctionnement.
- Si vous utilisez un film de plastification à dos adhésif, n'apposez pas le tirage plastifié sur l'épiderme ou sur des surfaces délicates.
- Eloignez les documents plastifiés des jeunes enfants, afin d'éviter tout problème d'ingestion.
- Le film plastifié contient des substances résistantes aux ultraviolets. Toutefois, la couleur des documents pourra passer si les documents sont imprimés à l'encre liquide. Il est recommandé d'utiliser de l'encre de type solide pour empêcher les couleurs d'un document de passer.
- Désactivez le mode de coupe automatique lors de la plastification de documents importants ou délicats.
- N'insérez pas d'objets de valeur ou précieux dans la machine.
- Un document peut se gondoler ou se détériorer s'il est placé sous un objet lourd.
- Ne placez pas de documents plastifiés à dos magnétique à proximité de disquettes ou de cassettes. Vous risqueriez d'altérer les données contenues sur ces supports.
- D'après les termes du contrat avec Xyron, l'achat ou toute autre acquisition de ce produit ne confère aucun droit ou autorisation d'utiliser le produit dans le domaine de la rétroreflexion.
- Le fait de plastifier du papier thermique est susceptible d'entraîner un jaunissement de l'impression.
- Une fois un document plastifié, il peut paraître poisseux au toucher. Cela est dû à la silicone utilisée dans le traitement du film. Cet effet s'estompera avec l'exposition à l'air.
- Nous vous déconseillons de plastifier des photographies que vous ne pouvez pas remplacer.
- Renseignez-vous auprès des autorités légales de votre région en ce qui concerne le recyclage de la machine et de ses consommables, pour de plus amples renseignements.

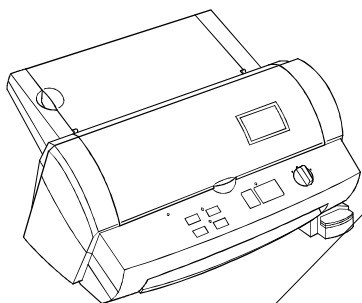
Liste des équipements

① LX-1200	1
② Cartouche de film*	1 (Laminé double face)
③ Adaptateur secteur	1
④ Guide d'utilisation	1
⑤ Liste d'accessoires compatibles	1
⑥ Logiciel PC auxiliaire (CD-ROM)	1
⑦ Adaptateur de cartouche	1

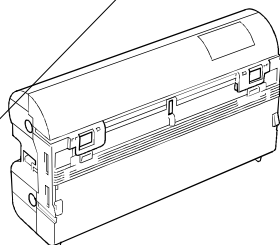
* Une cartouche de film est déjà installée dans la machine.

FRANÇAIS

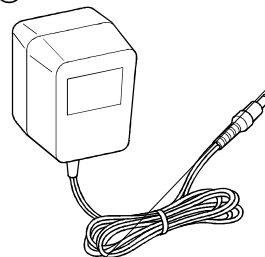
①



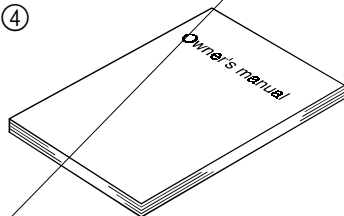
②



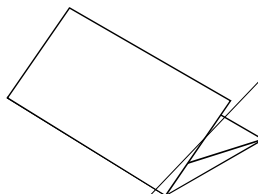
③



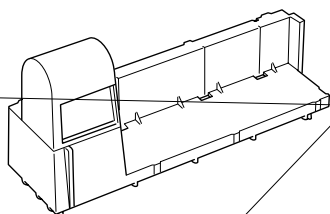
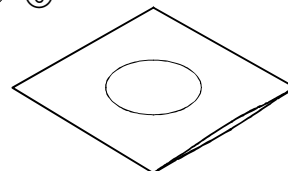
④



⑤



⑥



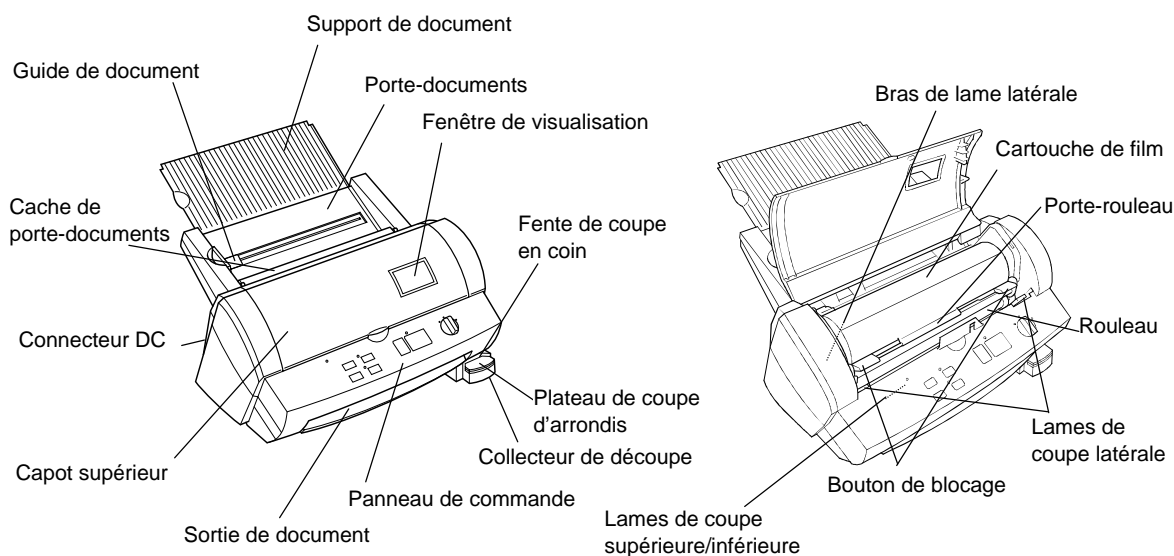
Désignation des pièces

Extérieur de la machine

Connecteur DC	Situé à gauche au dos de la machine. Pour le branchement de l'adaptateur secteur.
Capot supérieur Fenêtre de visualisation	Pour remplacer la cartouche de film et les lames de coupe. Située sur le capot supérieur. Permet de vérifier que le type de film adéquat est chargé dans l'appareil.
Porte-documents Support de document Guide de document	L'endroit où vous devez placer les documents à plastifier. Soutient le document à insérer. Permet d'aligner le bord gauche du papier pour garantir l'insertion correcte du document.
Cache de porte-documents Panneau de commande Sortie de document Fente de coupe d'arrondis	Se soulève facilement pour retirer les documents de petite taille. Interrupteur d'alimentation et zone des touches de fonction. Endroit où le document est éjecté de la machine. Vous permet de couper les coins de votre document à l'issue de la plastification. Les coins d'un document sont coupés automatiquement lorsqu'il est inséré dans la fente de coupe d'arrondis.
Plateau de coupe d'arrondis	Le coin du document plastifié est placé sur ce plateau afin de le positionner dans la fente de coupe d'arrondis.
Collecteur de découpe Adaptateur secteur	Recueille les découpes de coupe d'arrondis. S'enfiche dans une prise électrique et dans le connecteur DC de la machine.

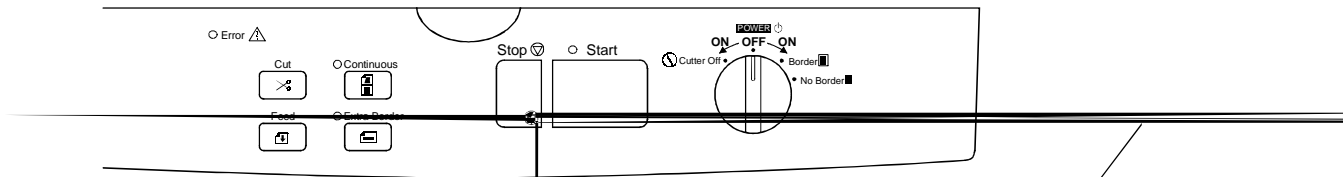
Intérieur de la machine

Cartouche de film	Contient le rouleau de film. L'étiquette figurant sur la cartouche permet d'identifier le type de film. Cette machine permet l'emploi de cartouches LC d'une largeur 12,0 pouces (A3), 9,0 pouces (A4) ou 4,8 pouces (A6). Permet de bloquer/débloquer le porte-rouleau.
Levier de blocage Porte-rouleau	Sert de support au rouleau.
Bras de lame verticale Lames de coupe verticale	Bras de la lame de coupe verticale. Lames destinées à la coupe verticale.
Lames de coupe sup/inf. Rouleau	Lames destinées à la coupe supérieure/inférieure (horizontale). Alimente le document dans l'appareil.



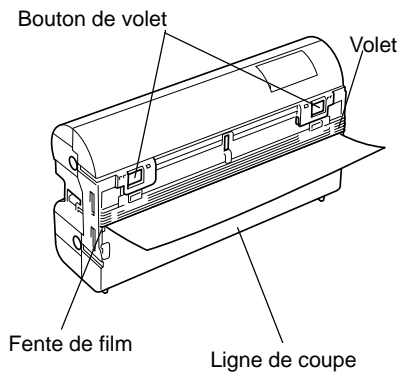
Panneau de commande

BOUTON D'ALIMENTATION	Met la machine sous tension ou hors tension.
Touche Cut	Coupe le document à la position courante.
Touche Feed	Permet d'alimenter le film plastifié et/ou le document.
Touche Continuous	Servez-vous de cette touche pour plastifier plusieurs documents.
Extra Border (Marge en +)	Servez-vous de cette touche pour créer une marge supplémentaire sur un côté de votre document (par ex. la zone de perforation à 3 trous).
Touche Start	Permet de lancer une opération.
Touche Stop	Permet d'arrêter une opération.
Border (marge)	La machine coupera le film en laissant une marge d'environ 0,18" (4,5 mm) sur tous les bords du document - (laisse une marge de film plastifié).
No Border (sans marge)	La machine coupera le film en laissant une marge d'environ 0,06" (1,5 mm) sur tous les bords du document - (coupe le film plastifié au ras du document.)
Cutter Off	Désactive le mode de coupe automatique.
Error	Signale une anomalie de la machine.



Cartouche de film

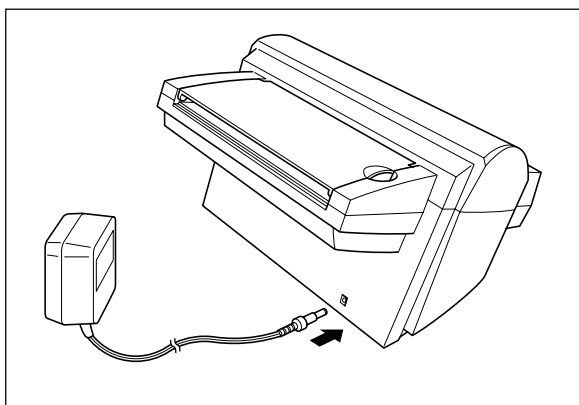
Ligne de coupe	Coupe l'excès de film au niveau de cette ligne pour permettre d'installer la cartouche correctement.
Volet	Soulève le volet pour ouvrir le couvercle de la cartouche de film.
Bouton de volet	Verrouille le couvercle de la cartouche de film et ramène le volet à sa position d'origine.
Fente de film	Le bord supérieur du film apparaît dans la fente.



Recharges de film en option

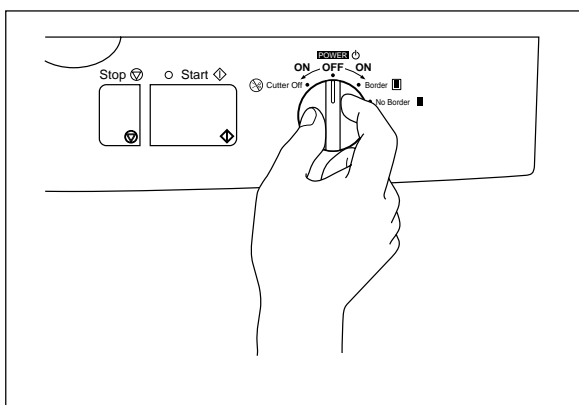
Installation

Mise sous tension/hors tension de l'appareil



(1) Branchez la prise de l'adaptateur secteur au connecteur DC.

(2) Branchez l'adaptateur secteur à une prise électrique.



(3) Amenez le bouton d'alimentation du panneau de commande en position Cutter Off, Border ou No Border. Le témoin vert au dessus de la touche **Start** s'allume. Dans le cas contraire, vérifiez le branchement de l'adaptateur secteur.

Pour mettre la machine hors tension, tournez le bouton d'alimentation sur POWER OFF.



AVERTISSEMENT :

Ne branchez pas la machine à une prise électrique tant qu'elle n'est pas entièrement assemblée.

N'essayez pas de démonter ou de réparer la machine vous-même. Toute révision est à confier à un technicien agréé. La garantie sera annulée si la machine n'est pas révisée par un technicien agréé.

Ne mettez jamais les doigts sur la surface des lames au moment de l'installation de la cartouche de film.



ATTENTION :

Ne mettez pas la machine hors tension lors d'une opération de plastification.

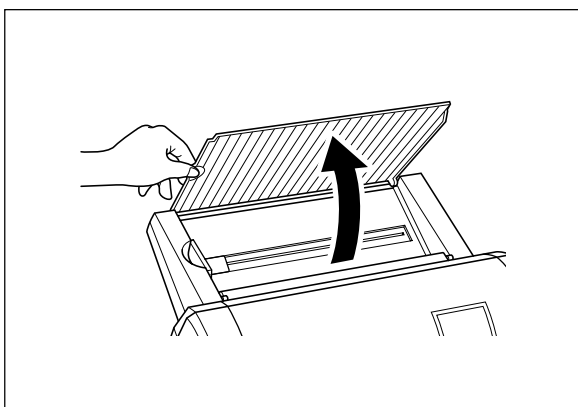
La machine ne doit être mise hors tension en cours d'opération que si elle présente une anomalie de fonctionnement.

FRANÇAIS

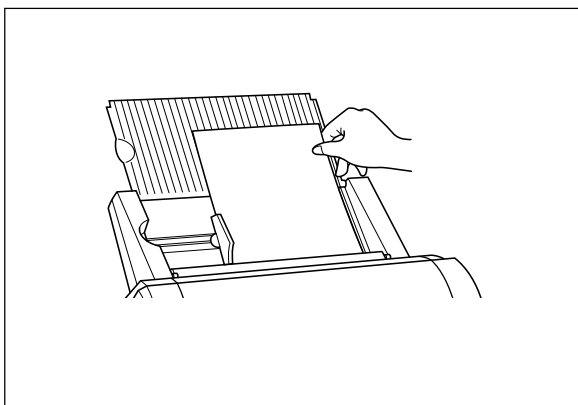
Fonctionnement de la machine

Confection de pochettes, d'autocollants, etc.

FRANÇAIS



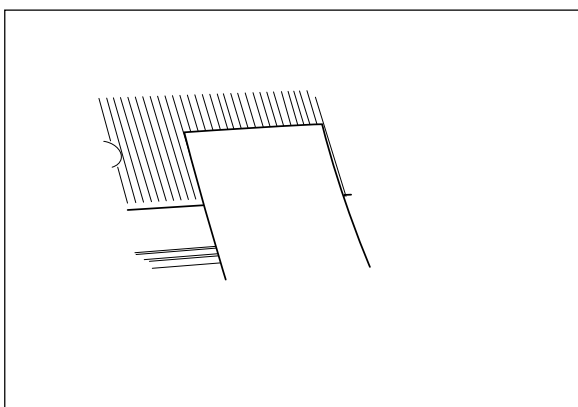
(1) Ouvrez le support de document.



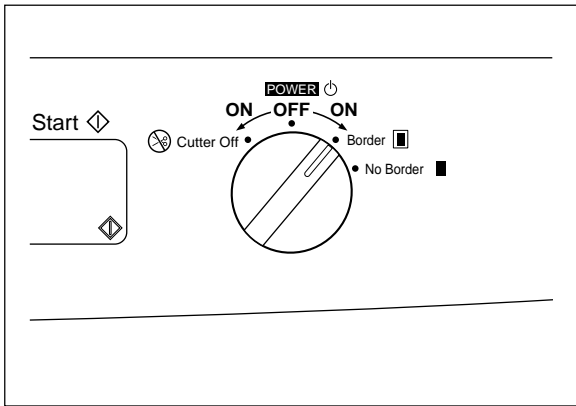
(2) Chargez le document à plastifier sur le porte-documents. En principe, les documents sont à charger face imprimée dessus.

CONSEIL

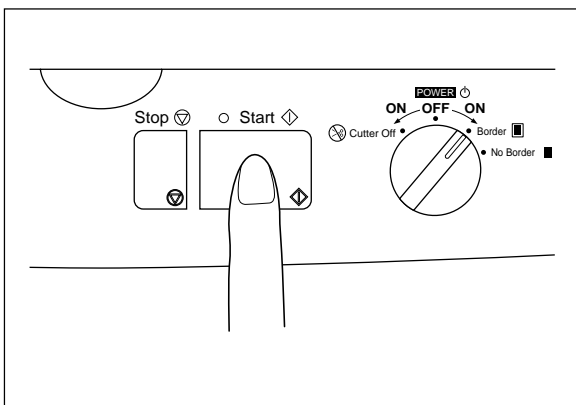
Les documents placés face imprimée dessous sur le porte-documents permettent la création d'autocollants à apposer sur une fenêtre.



(3) Alignez le papier à droite et faites coulisser le guide de document jusqu'à ce qu'il soit en contact avec le bord gauche du document. Positionnez toujours le bord le plus long du document sur la droite.



- (4) Amenez le bouton d'alimentation sur Cutter Off, Border ou No Border afin de sélectionner le mode de coupe souhaité. Voir la rubrique "Comment définir l'emplacement de coupe" à la page 13.



- (5) Appuyez sur **Start**.
Le document est alimenté dans la machine. Celle-ci lance automatiquement la détection des bords supérieurs et latéraux du document. La touche **Start** clignote en vert pendant l'opération de plastification. Le bord supérieur du film sera coupé automatiquement .

Nota

*La machine émet un bip sonore si le document n'est pas chargé correctement. Rechargez le document et appuyez de nouveau sur la touche **Start**.*

- (6) Le document est transmis vers la sortie de document pour être éjecté une fois l'opération terminée.



ATTENTION :

N'essayez pas de retirer ou de tirer sur le document une fois le processus lancé.

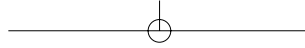
Ne mettez pas la machine hors tension en cours d'opération sauf si elle présente une anomalie de fonctionnement.

Ne mettez pas le document suivant sur le porte-documents tant que l'opération en cours n'est pas terminée, sauf si vous avez sélectionné le mode continu (Continuous). Veuillez consulter les instructions traitant du mode continu à la page 15.

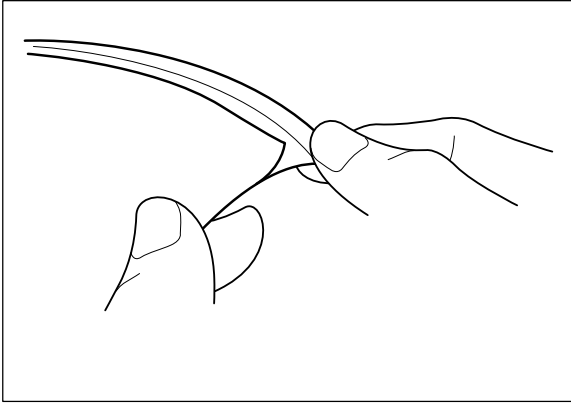
Nota

*Pour arrêter l'opération, appuyez sur **Stop**. Appuyez de nouveau sur **Start** pour relancer l'opération ou servez-vous des touches **Feed** et **Cut** pour alimenter/couper le document en mode manuel.*

*Pour éviter de couper votre document au mauvais endroit accidentellement, vous devez appuyer sur la touche **Cut** et la maintenir enfoncée pendant plus de 0,5 seconde.*

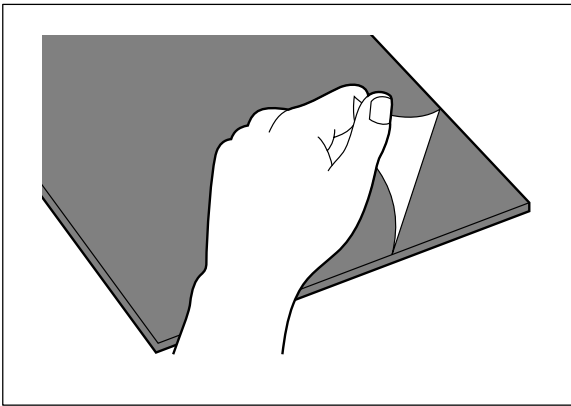


FRANÇAIS



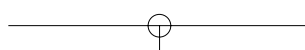
Nota

Si vous utilisez un film plastifié à dos magnétique, vous pourrez apposer le document plastifié sur n'importe quelle surface métallique. La surface magnétique du film est dotée d'une pellicule qui doit être décollée avant d'apposer votre document sur la surface métallique, comme illustré.



Nota

Si vous utilisez un film laminé à dos adhésif, le dos du document plastifié sera enduit d'une pellicule à décoller. Veuillez décoller la pellicule comme illustré au moment d'apposer l'autocollant.

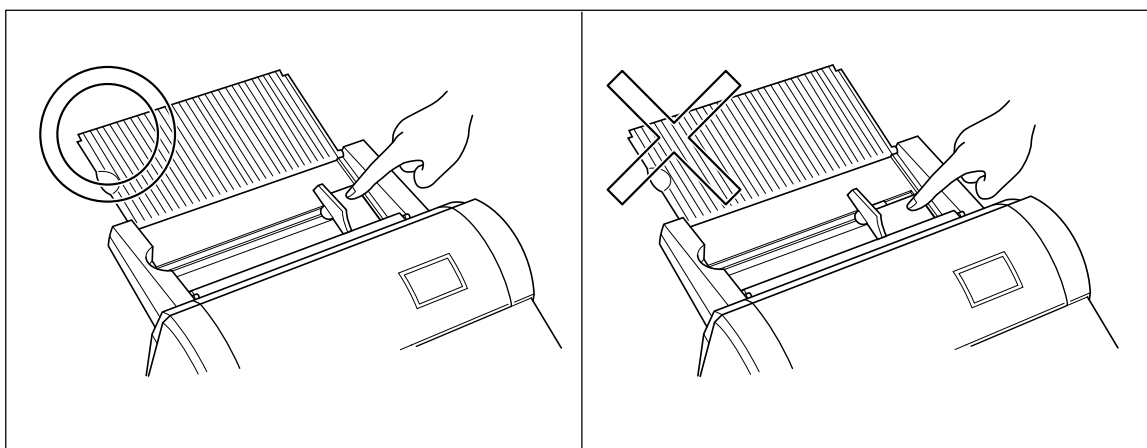


Taille de document

La surface de document que vous désirez plastifier ne doit pas être plus longue (ou plus étroite) que la surface de plastification acceptée par votre machine. La largeur du document doit être comprise entre 2,0" et 11,7" (50 et 297 mm). La longueur minimum pour le papier doit être de 3,5" (90 mm). L'épaisseur du papier doit être comprise entre 17 lbs. et 40 lbs. (0,004" et 0,008"). Un seul document à la fois peut être chargé dans le chargeur de documents.

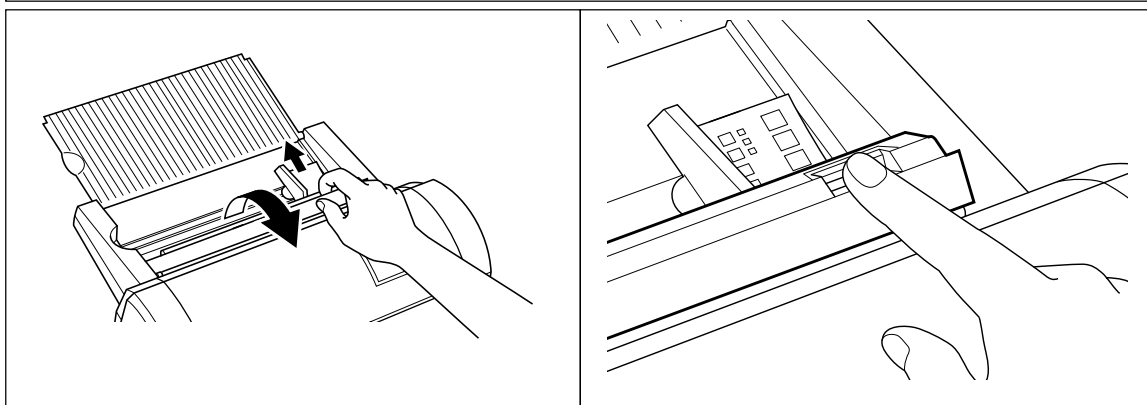
Type de cartouche		Cartouche 12,0" (A3)	Cartouche 9,0" (A4)	Cartouche 4,8" (A6)
Largeur du papier	Maximum	11,7" (297 mm)	8,5" (216 mm)	4,3" (108 mm)
	Minimum	2,0" (50 mm)	2,0" (50 mm)	2,0" (50 mm)
Longueur du papier	Minimum	3,5" (90 mm)	3,5" (90 mm)	3,5" (90 mm)
Épaisseur du papier		0,004" – 0,008"	0,004" – 0,008"	0,004" – 0,008"

Le papier au format de carte de visite est à insérer verticalement dans la machine comme illustré ci-dessous.



Nota

Si vous introduisez un document de petit format dans la machine de façon incorrecte, vous pouvez l'ôter facilement en soulevant le cache de porte-documents comme illustré.

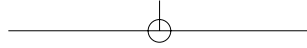


Lors de la plastification d'un document de plus de 18,5" de long (470 mm), la machine s'arrête une fois le document plastifié sur 18,5" (470 mm). Pour poursuivre l'opération, il vous suffit d'appuyer sur **Start**.



ATTENTION :

N'introduisez pas de documents gondolés, écornés, froissés ou déchirés dans la machine. Les documents ne doivent présenter ni agrafe, ni trombone, ni trace de colle, de fluide correcteur ou de ruban adhésif. N'introduisez pas de supports en tissu dans la machine.



Le chargeur automatique

Le chargeur automatique alimente automatiquement votre document dans la machine. Veuillez noter toutefois que vous ne pourrez pas mettre plusieurs feuilles à la fois dans le chargeur. Insérez les feuilles une par une.

Système de coupe automatique

Le système de coupe automatique détecte automatiquement la largeur et la longueur du document introduit dans la machine. Le mécanisme intégré coupe chaque bord du document avec précision.

FRANÇAIS

Comment définir l'emplacement de coupe (création de marges)

Le système de coupe automatique détecte automatiquement la taille de votre document et coupe chaque bord. L'emplacement de la coupe peut être ajusté afin de créer une marge sur chaque bord du document plastifié.

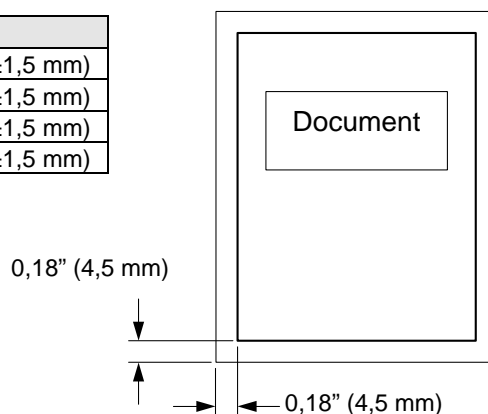
Mode de coupe automatique – Border (marge)

Ce mode convient tout particulièrement à la confection de pochettes ou pour protéger des documents contre l'eau ou la poussière.

Pour créer une marge sur chaque bord de votre document...

- (1) Tournez le bouton d'alimentation pour l'amener sur **Border**.
- (2) Placez le document sur le porte-documents et appuyez sur **Start**. Le document sera coupé en laissant une marge d'environ 0,18" (4,5 mm) sur chaque bord du papier.

	Position de coupe	
Sup.	Bord sup. du papier	0,18" ± 0,06" (4,5 mm ± 1,5 mm)
Inf.	Bord inf. du papier	0,18" ± 0,06" (4,5 mm ± 1,5 mm)
Droite	Bord droit du papier	0,18" ± 0,06" (4,5 mm ± 1,5 mm)
Gauche	Bord gauche du papier	0,18" ± 0,06" (4,5 mm ± 1,5 mm)



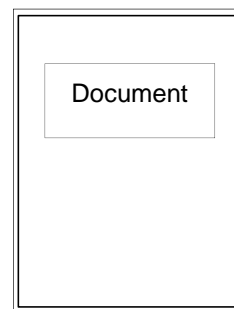
Mode de coupe automatique – No Border (sans marge)

Ce mode convient tout particulièrement à la confection d'adhésifs.

Pour produire un document sans marge sur les bords ...

- (1) Tournez le bouton d'alimentation pour l'amener sur **No Border**.
- (2) Placez le document sur le porte-documents et appuyez sur **Start**. Le document sera coupé sans laisser de marge (à environ 0,04" – 0,06" (1,0 mm - 1,5 mm) de chaque bord du document).

	Position de coupe	
Sup.	Bord sup. du papier	0,06" ± 0,06" (1,5 mm ± 1,5 mm)
Inf.	Bord inf. du papier	0,06" ± 0,06" (1,5 mm ± 1,5 mm)
Droite	Bord droit du papier	0,04" ± 0,06" (1,0 mm ± 1,5 mm)
Gauche	Bord gauche du papier	0,04" ± 0,06" (1,0 mm ± 1,5 mm)



Mode de coupe automatique – Cutter Off (désactivé) (pour les documents sensibles ou de forme irrégulière)

Sélectionnez ce mode pour empêcher la coupe d'une portion quelconque du document pendant la plastification.

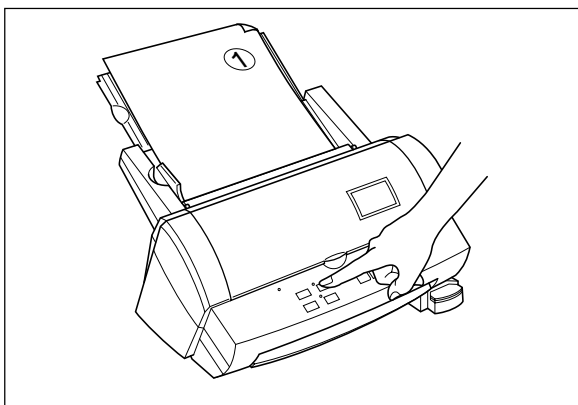
- (1) Lorsque le mode de coupe automatique est désactivé (**Cutter Off**), la machine plastifie le document sans couper les bords. Le document est simplement plastifié puis éjecté de l'appareil.
- (2) Appuyez sur la touche **Cut** pour couper le document manuellement.

Mode de coupe automatique - Extra Border (Marge en plus)

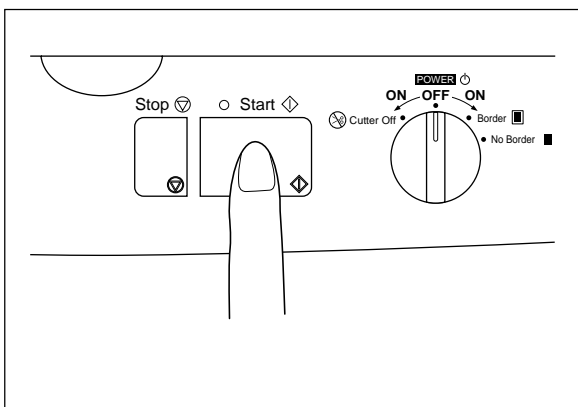
Ce mode convient tout particulièrement pour la confection de documents à des fins d'archivage. La marge supplémentaire sera toujours créée sur la dernière portion du document alimentée dans la machine. Vous pouvez opter pour une marge supplémentaire de 0,8" (20 mm) ou de 1,2" (30 mm). Modifiez la largeur de la marge supplémentaire en appuyant sur la touche Extra Border. La première fois que cette touche est appuyée, la marge supplémentaire est réglée sur 0,8" (20 mm), la deuxième fois, elle est réglée sur 1,2" (30 mm) et la fois suivante l'option de marge supplémentaire est désactivé

Comment utiliser le mode continu (Continuous)

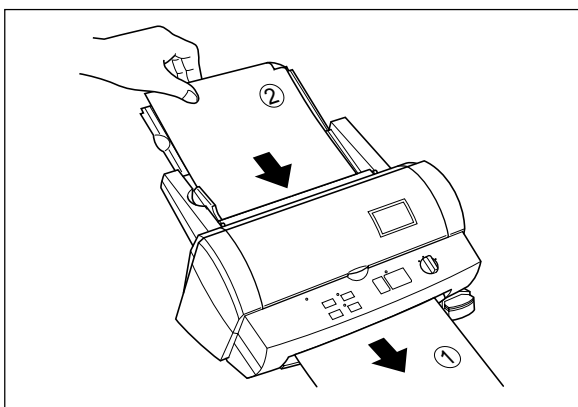
Le mode continu vous permet de réduire la quantité de film résiduel entre chaque document quand vous en plastifiez plusieurs à la suite.



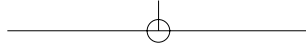
- (1) Placez le premier document sur le porte-documents et appuyez sur la touche **Continuous**. Le témoin vert Continuous s'allume.



- (2) Appuyez sur **Start**. L'appareil lance la plastification du document. Une fois la fin du document détectée, l'opération est suspendue et l'appareil émet un bip sonore.



- (3) Placez le document suivant sur le porte-documents. Il sera alimenté automatiquement au bout d'environ 7 secondes.



Nota

S'il n'est pas mis de nouveau document sur le porte-documents au bout de 7 secondes, la machine redémarrera et finira la plastification du document en cours.

*En mode continu, vous n'avez pas besoin de réappuyer sur **Start** entre chaque document, cela évite un temps d'attente de 7 secondes en mode normal.*

*Si le bouton **Start** est pressé après avoir placé le document suivant dans le chargeur, la plastification démarrera sans avoir à attendre 7 secondes.*

- (4) Répétez l'étape (3) jusqu'à ce que tous vos documents soient plastifiés. Si un document n'est pas mis sur le porte-documents dans les 7 secondes, l'appareil finira la plastification du document en cours et reviendra au mode normal.

Nota

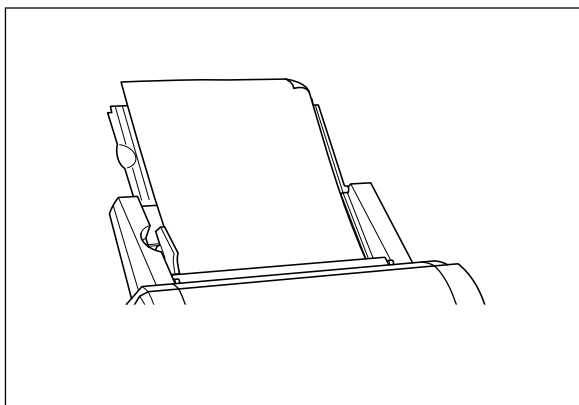
*Vous ne pouvez utiliser les modes **Alimentation** ou **Bordures** en mode continu.*

Ne pas remplacer les cutters en mode continu.

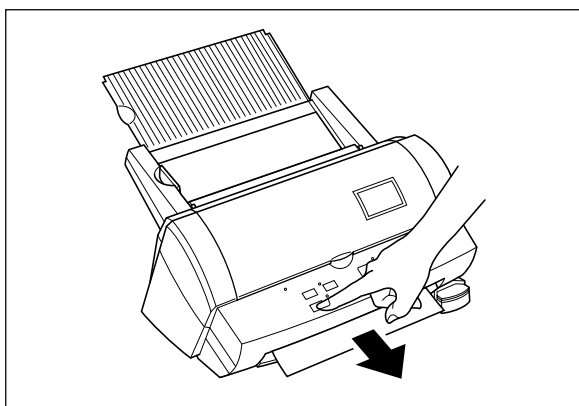
FRANÇAIS

Alimentation manuelle et coupe manuelle

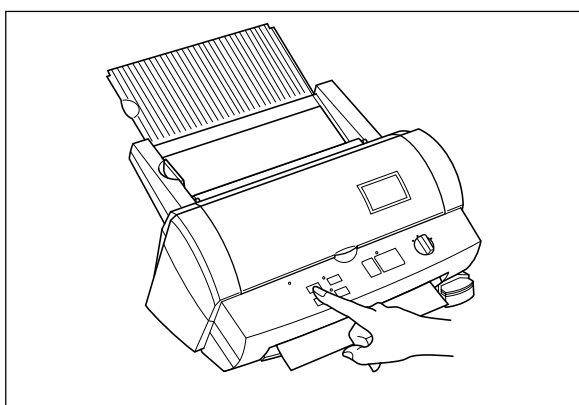
Pour une parfaite maîtrise, votre machine à plastifier à froid vous permet d'alimenter et de couper le document manuellement.



(1) Placez le document sur le porte-documents.



(2) Appuyez sur **Feed** pour alimenter le document manuellement. La touche **Feed** est auto-répétitive. Le document continuera d'être alimenté tant que la touche **Feed** ne sera pas relâchée.



(3) Appuyez sur touche **Cut**. Le document sera coupé à la position courante.

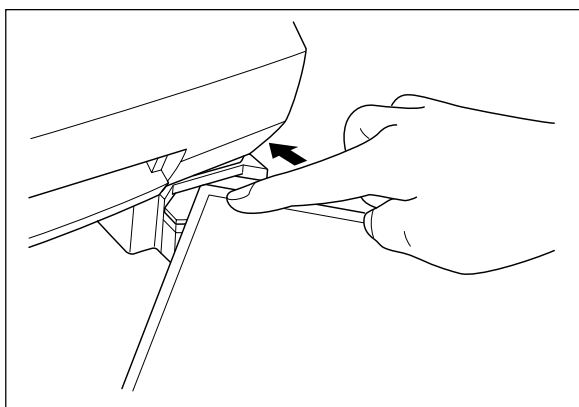
Nota

- Par sécurité, la position de coupe exacte n'est pas visible depuis l'extérieur de la machine.
- Pour éviter toute coupe accidentelle du document, il vous est conseillé de n'appuyer sur touche **Cut** qu'une fois le document éjecté de la machine.
- Ne faites jamais usage de force pour sortir un document de la machine. En cas de besoin, employez des ciseaux.

Arrondisseur d'angles

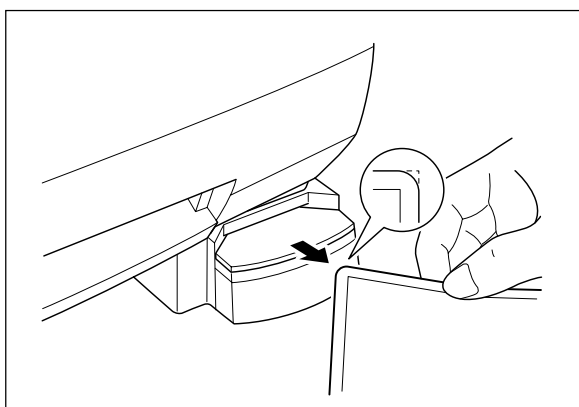
A l'issue de la plastification, vous pouvez couper chaque coin du document.

FRANÇAIS



- (1) Insérez un coin du document dans la fente de coupe d'arrondis.

- (2) La machine coupe automatiquement le coin du document.

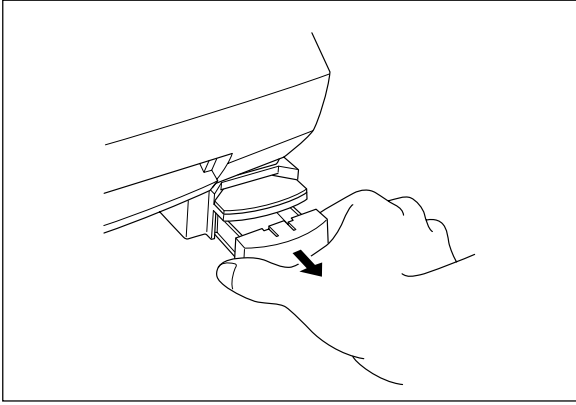
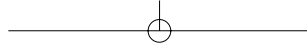


- (3) Retirez le document de la fente.

Nota

L'épaisseur maximale du document d'origine (avant plastification) admissible par la lame de coupe en coin est de 0,008" (0,2 mm).

Ne pas utiliser l'arrondisseur d'angle avec le film à dos magnétique.



Collecteur de découpe

Les découpes produites par la lame de coupe d'arrondis sont recueillies dans le collecteur de découpe qui se trouve juste en dessous de la fente de coupe d'arrondis. Tirez le collecteur vers vous pour jeter les découpes et remettez le collecteur à sa position d'origine.

FRANÇAIS

A propos des rouleaux de film

Il existe différents types de rouleaux de film spécialement conçus pour répondre à vos besoins.



Cet appareil peut prendre en charge des cartouches d'une largeur 12,0 pouces (A3), 9,0 pouces (A4) ou 4,8 pouces (A6).

N'utilisez que des cartouches ou recharges de film agréées Brother. Le logo ci-dessus figure sur tous les emballages des cartouches ou recharges de film compatibles avec la machine. Brother décline toute responsabilité en cas de problème découlant de l'usage de fournitures non agréées.

Suivant le type de film utilisé, cette machine transforme toute une variété de documents en autocollants, en feuilles plastifiées double face, etc. d'aspect professionnel. Veuillez consulter la liste d'accessoires compatibles livrée avec la machine pour obtenir un complément d'information à ce sujet.

Cette machine est livrée avec une cartouche de film de plastification double face. Pour vous procurer d'autres types de rouleaux de film, veuillez consulter votre revendeur local Brother.

Nota

Pour pouvoir utiliser des cartouches au format 9,0" (A4) ou 4,8" (A6) avec cette machine, vous devez d'abord installer l'adaptateur de cartouche. Veuillez vous reporter à la page 27.

Contrôle de l'approvisionnement en film

Un indicateur rouge apparaît lorsque le rouleau de film touche à sa fin. Veuillez remplacer le rouleau de film dès que vous constatez la présence de cet indicateur. La bande rouge apparaît en principe à environ 39,4" (1000 mm) de la fin du rouleau.

Si la bande rouge apparaît, remplacez le film immédiatement. Pour remplacer la cartouche de film, veuillez consulter la rubrique "Remplacement de la cartouche de film" à la page 21 ou "Installation/remplacement du rouleau de film dans la cartouche" à la page 23.

La cartouche de départ imprime approximativement 11 feuilles format lettre américain (direction paysage) en mode continu.

Un rouleau régulier de laminage double face reproduit approximativement 168 feuilles format lettre américain (direction paysage) en mode continu.

Veuillez consulter la liste d'accessoires compatibles pour obtenir un complément d'information sur les autres fournitures.

Nota

Un indicateur rouge apparaît lorsque le rouleau de film touche à sa fin. Veuillez remplacer le rouleau de film dès que vous constatez la présence de cet indicateur rouge. Cet indicateur rouge peut être décollé de votre document sans l'endommager.

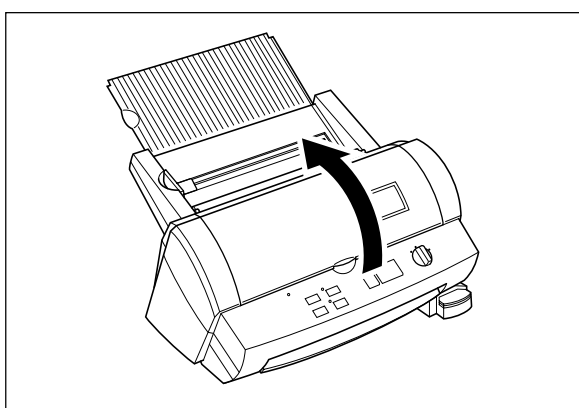
Si vous essayez de plastifier un autre document alors que l'indicateur rouge est visible, vous risquez d'endommager et/ou de couper votre document.

Remplacement de la cartouche de film

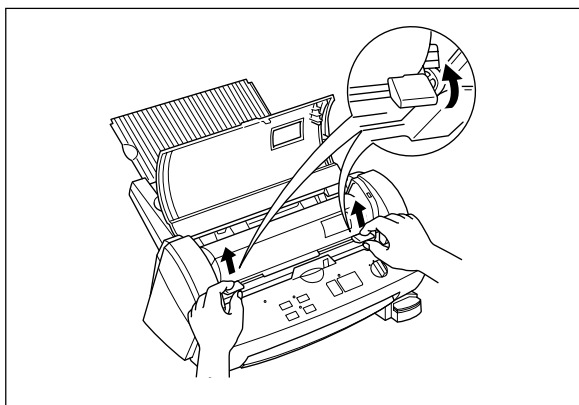


AVERTISSEMENT :

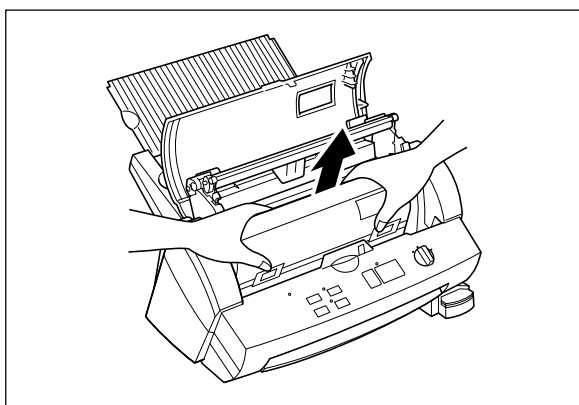
Ne mettez jamais les doigts sur la surface des lames lors de l'installation ou du remplacement de la cartouche de film.



- (1) Tournez le bouton d'alimentation sur Off pour mettre la machine hors tension et ouvrez le capot supérieur.



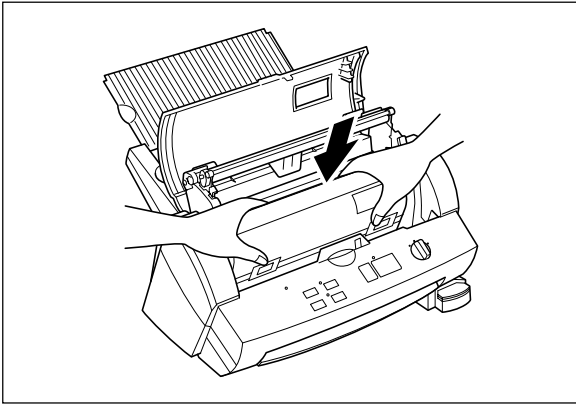
- (2) Relevez les leviers de blocage et soulevez le porte-rouleau.



- (3) Sortez la cartouche de film avec précaution.

Nota

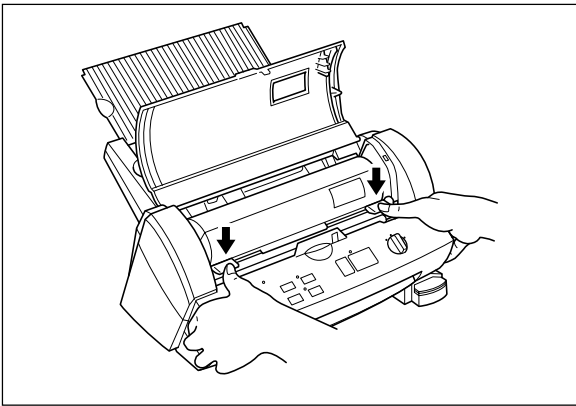
Pressez le bouton **Cut** pour rembobiner la cartouche de film si nécessaire.



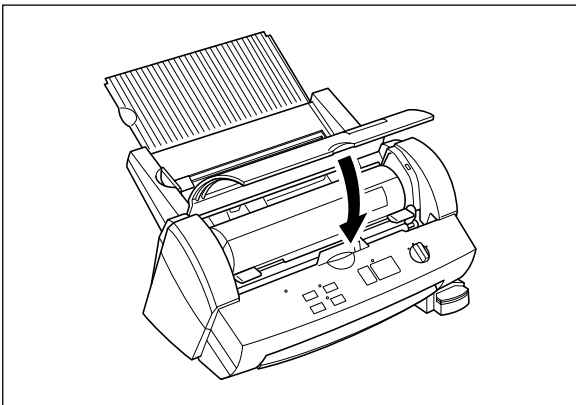
- (4) Installez la nouvelle cartouche de film avec soin.

Nota

- Vérifiez que le volet de la cartouche est complètement fermé au moment de l'installation de la cartouche.
- Vérifiez la position du bord supérieur du film avant d'installer la cartouche. Il doit être aligné avec la ligne de coupe de la cartouche. Au besoin, coupez tout excès de film.
- Assurez-vous que l'extrémité du film s'insère bien le long du rouleau situé le plus bas.



- (5) Ramenez le porte-rouleau à sa position d'origine et abaissez les leviers de blocage comme illustré jusqu'à ce que le porte-rouleau s'enclenche en position. Vous entendrez un clic.



- (6) Rabattez le capot supérieur.

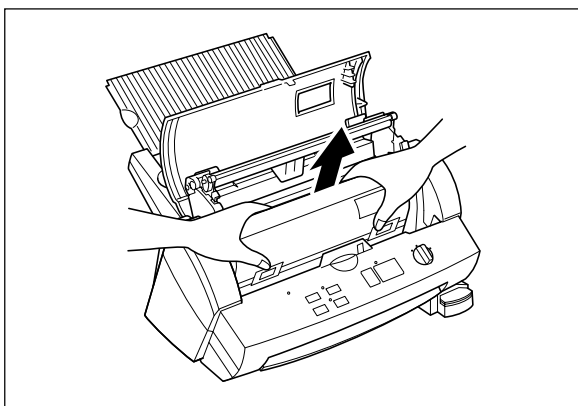
- (7) Tournez le bouton d'alimentation sur Cutter Off, Border ou No Border. Appuyez sur la touche **Feed** jusqu'à ce que vous puissiez voir le bord du film afin de bien tendre le film.

Nota

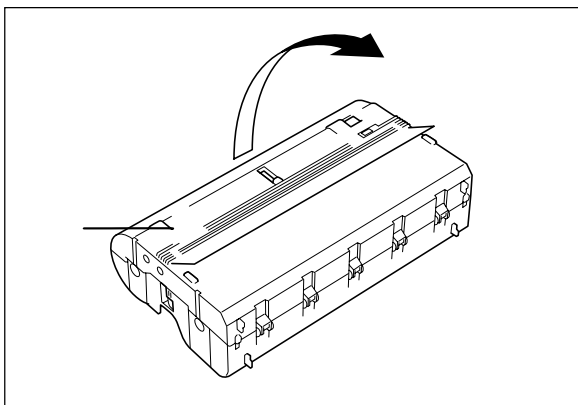
- L'état de la cartouche installée peut être contrôlé par le biais de la fenêtre de visualisation ménagée dans le capot supérieur.
- Stockez les cartouches de film au-dessous de 45°C (113° F).

Installation/remplacement du rouleau de film dans la cartouche

Les cartouches peuvent être recyclées en remplaçant le rouleau de film. Veillez à n'utiliser que des recharges de film LC agréées Brother. Rechargez les cartouches en suivant les instructions suivantes :

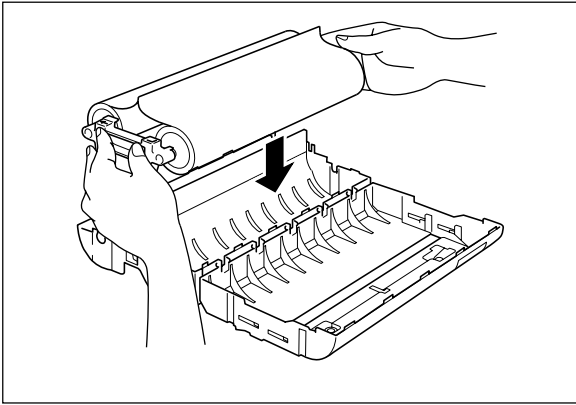


- (1) Sortez la cartouche de film de l'appareil.



- (2) Poussez le volet de la cartouche de film en suivant les flèches jusqu'au blocage et ouvrez délicatement le couvercle de la cartouche.

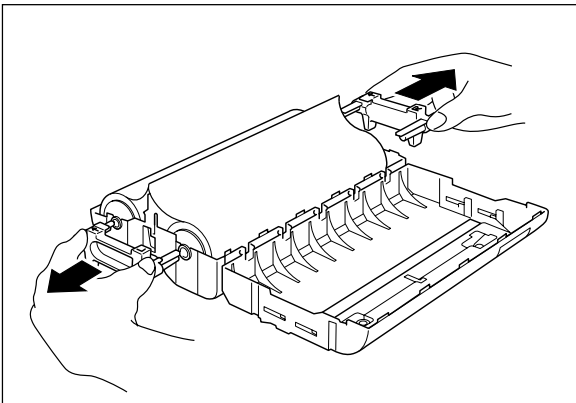
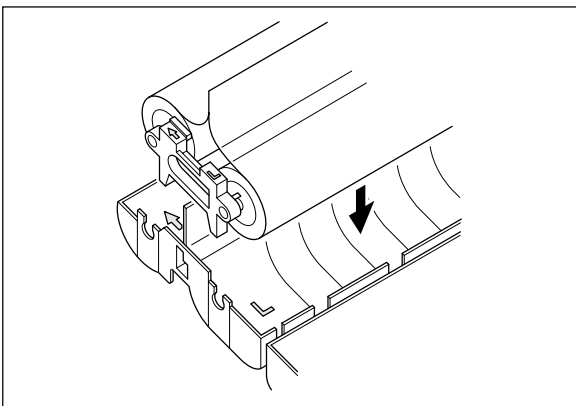
- (3) Sortez le rouleau de film usagé de la cartouche.



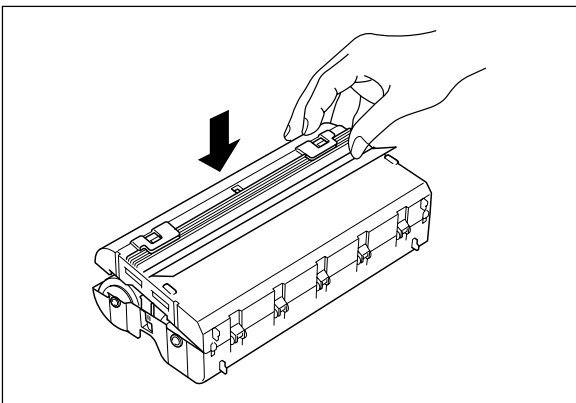
- (4) Sortez le rouleau de film neuf de son emballage scellé. En tenant le rouleau par les poignées en plastique de couleur jaune, installez le film dans la cartouche comme illustré ci-contre. Le film ne peut être inséré dans la cartouche que dans un sens.

Nota

*Retirez la feuille qui sépare les rouleaux de films avant d'installer les rouleaux.
Ne tenez pas les rouleaux proprement dits lorsque vous les installez.*



- (5) Otez les poignées latérales (de couleur jaune) du rouleau de film en faisant pression sur les bossages et en tirant pour extraire les poignées.



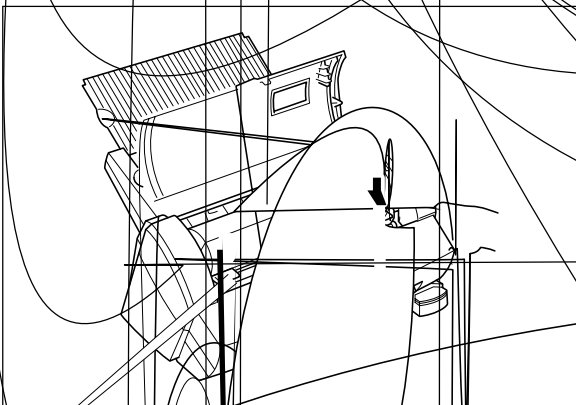
- (6) Refermez la cartouche de film. Vérifiez que le bord du film dépasse par la fente de la cartouche.

(7) Appuyez sur les boutons pour fermer le volet.

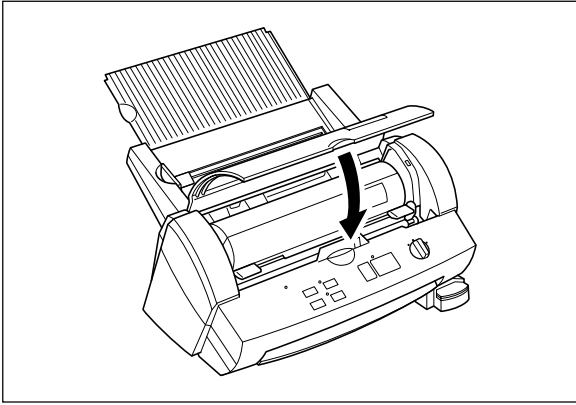
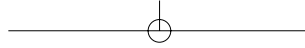
(8) Vérifiez la position du bord supérieur du film. Il doit être aligné avec la ligne de coupe de la cartouche. Au besoin, coupez tout excès de film avant d'installer la cartouche.

(9) Installez la cartouche dans la machine.

(10) Ramenez le porte-rouleau à sa position d'origine et abaissez les leviers de blocage comme illustré. Vous entendrez le porte-rouleau s'enclencher en place.



FRANÇAIS



(11) Rabattez le capot supérieur.

FRANÇAIS

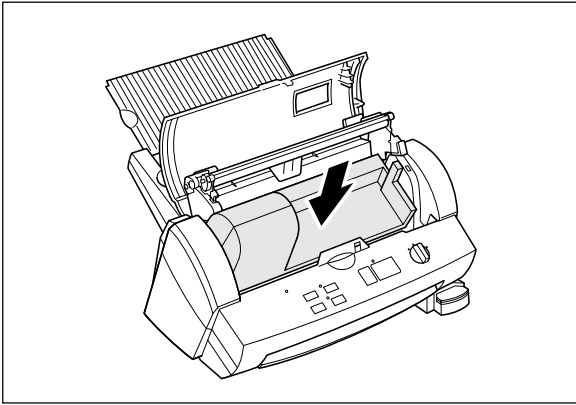
(12) Tournez le bouton d'alimentation sur Cutter Off, Border ou No Border. Appuyez sur la touche **Feed** jusqu'à ce que vous puissiez voir le bord du film afin de bien tendre le film.



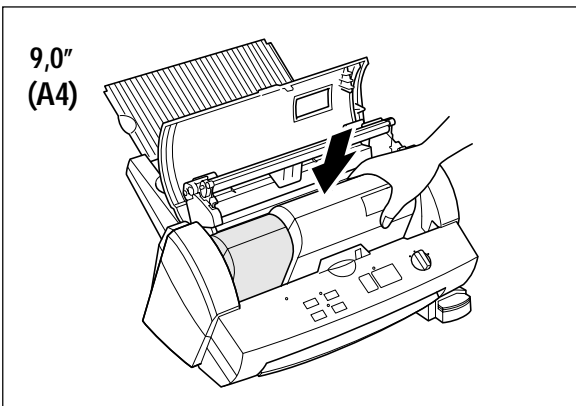
ATTENTION :

Pour empêcher le film de sécher, n'ouvrez l'emballage scellé qu'une fois que vous êtes prêt à installer le film dans la cartouche.

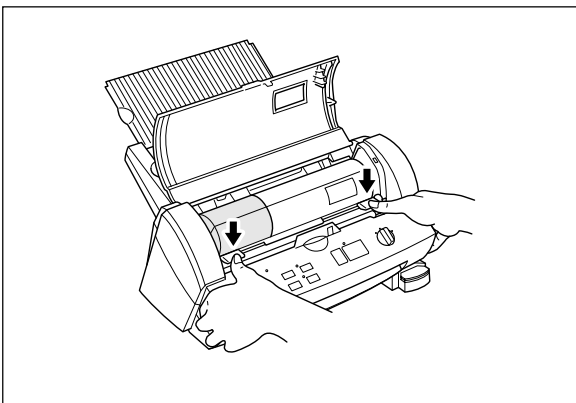
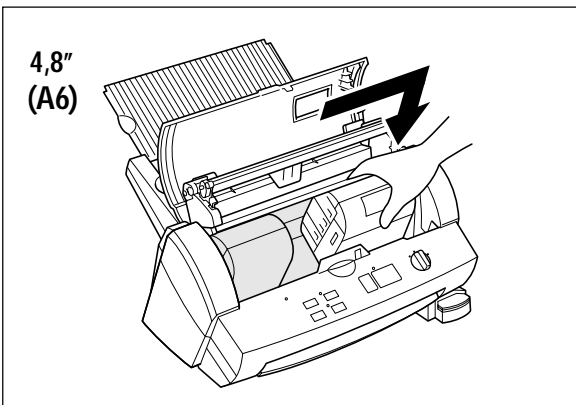




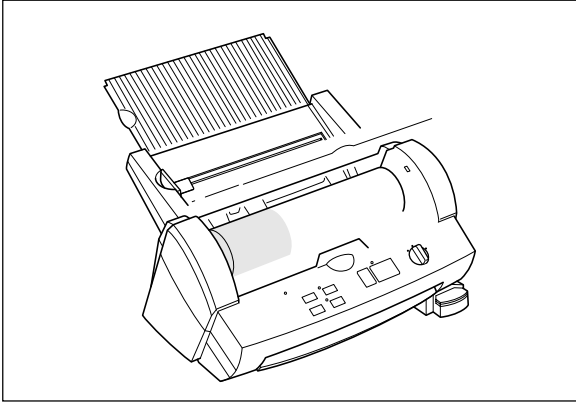
(4) Positionnez l'adaptateur de cartouche dans l'appareil comme illustré.



(5) Placez la cartouche 9,0" (A4) ou 4,8" (A6) dans l'appareil. En cas d'emploi d'une cartouche 4,8" (A6), alignez la cartouche avec le côté droit de l'appareil.



(6) Ramenez le porte-rouleau à sa position d'origine et abaissez les leviers de blocage comme illustré. Vous entendrez le porte-rouleau s'enclencher en position. Appuyez encore sur le porte-rouleau afin de l'immobiliser dans son logement.



(7) Rabattez le capot supérieur.

(8) Tournez le bouton d'alimentation sur Cutter Off, Border ou No Border. Appuyez sur la touche **Feed** jusqu'à ce que vous puissiez voir le bord du film afin de bien tendre le film.

Entretien périodique et dépiantage des pannes

Vous garderez votre machine en parfait état de marche en la nettoyant régulièrement.

Entretien périodique

Évitez les petits objets et débris

Prenez soin de ne rien laisser entrer dans la machine, surtout pas d'objets métalliques tels que des trombones ou des agrafes.

Nettoyage

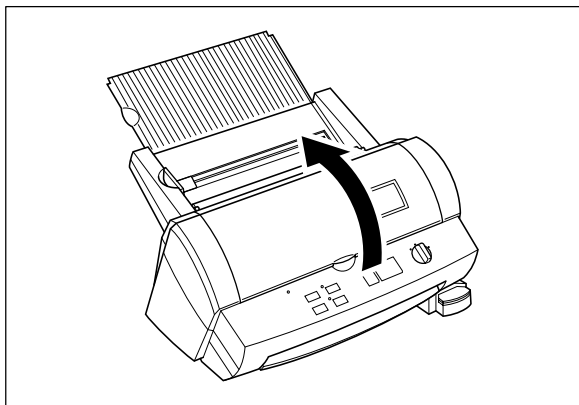
N'employez jamais de produits volatils tels que des diluants ou de l'alcool à brûler pour nettoyer la surface extérieure de la machine. Utilisez un chiffon doux légèrement imprégné d'une solution de détergent doux.

Bourrage papier

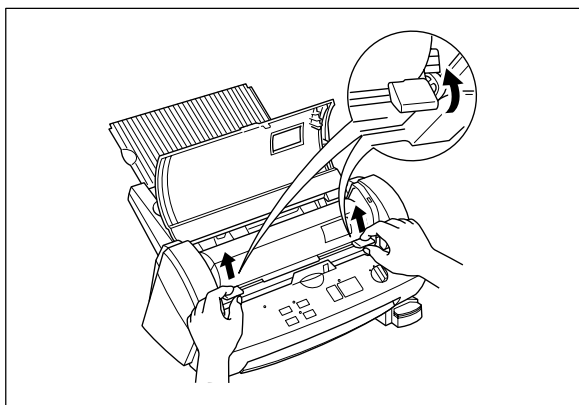
La machine émet un bip sonore si un document se coince en cours d'alimentation dans le chargeur. Un message d'erreur clignotera en même temps qu'un bip sonore.

Élimination d'un bourrage

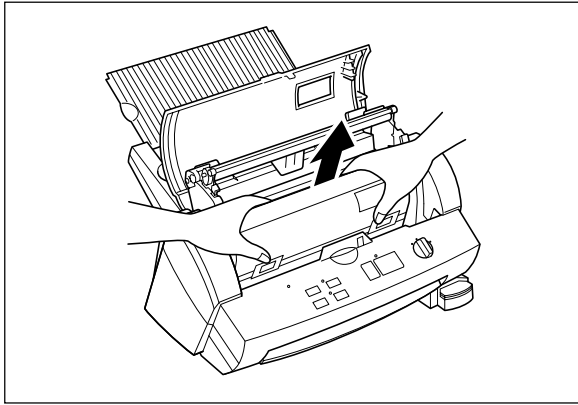
(1) Mettez la machine hors tension.



(2) Ouvrez le capot supérieur.



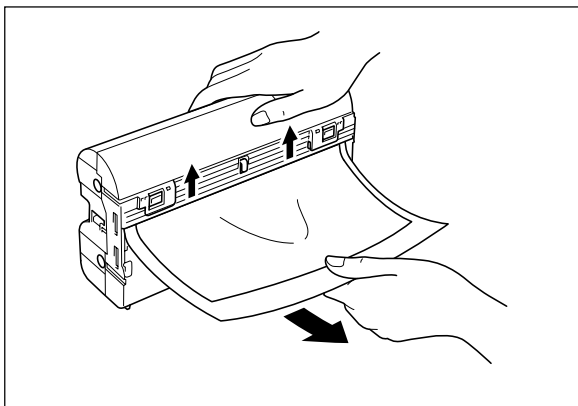
(3) Relevez les leviers de blocage et soulevez le porte-rouleau.



- (4) Retirez la cartouche de film de la machine.

Nota

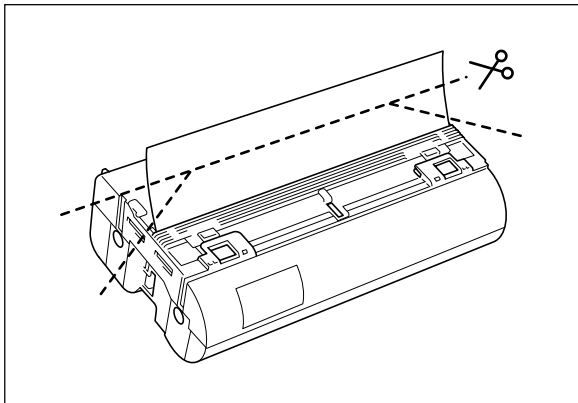
*Le cas échéant, employez des ciseaux ou la touche **Cut** pour extraire le film coincé et retirer la cartouche de film.*



- (5) Retirez la cartouche et l'ouvrez pour dégager le document qui s'y trouve.

Nota

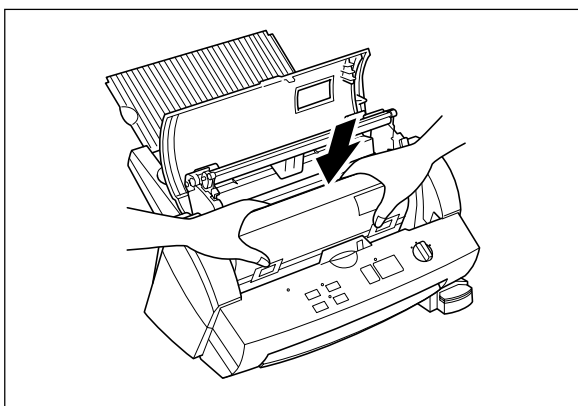
Ne tirez pas sur le document depuis le côté opposé.



- (6) Retirez tout excès de film en coupant le long de la "ligne de coupe" gravée sur la cartouche avant de réinstaller la cartouche dans la machine.

Nota

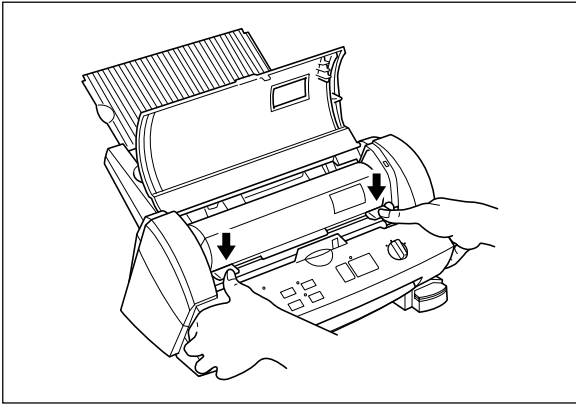
Vérifiez que le volet de la cartouche est bien fermé. S'il est ouvert, poussez le bouton du volet pour le fermer.



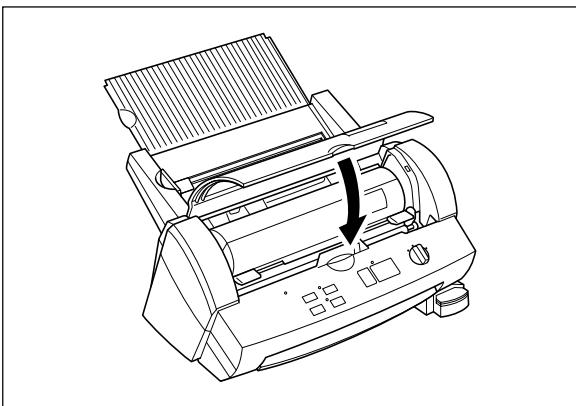
- (7) Installez la cartouche de film dans la machine.

Nota

Vérifiez que le film est installé correctement.



- (8) Ramenez les leviers de blocage à leur position d'origine jusqu'à ce que le porte-rouleau s'enclenche en position.



- (9) Rabattez le capot supérieur.

- (10) Pour tendre le film, appuyez sur la touche **Feed** jusqu'à ce que le bord du film devienne visible.



ATTENTION :

Ne mettez pas les doigts sur la surface des lames lors du retrait d'un document coincé. Procédez avec prudence durant l'élimination d'un bouchage afin d'éviter tout risque de blessure.

Remplacement des lames de coupe verticale

La performance de coupe diminuera au fil de l'usure des lames ou lorsqu'une couche d'adhésif se sera déposée sur les lames. Suivez les consignes ci-dessous pour remplacer les lames de coupe.

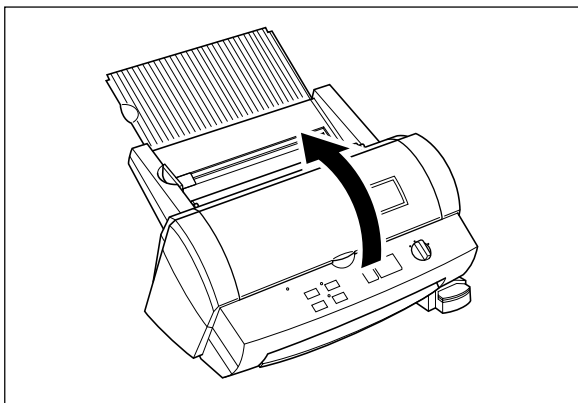


ATTENTION :

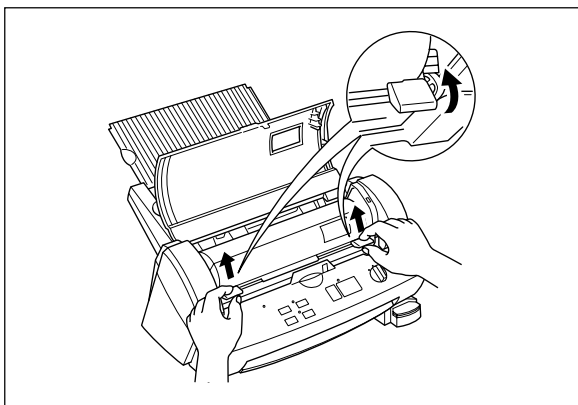
Ne mettez pas les doigts sur la surface de la lame au moment du remplacement des lames de coupe. Manipulez les lames avec précaution pour éviter tout risque de blessure.

Lames de coupe verticale (SC-2)

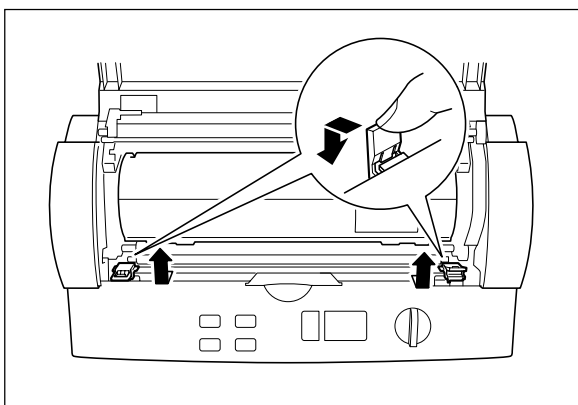
(1) Eteignez la machine.



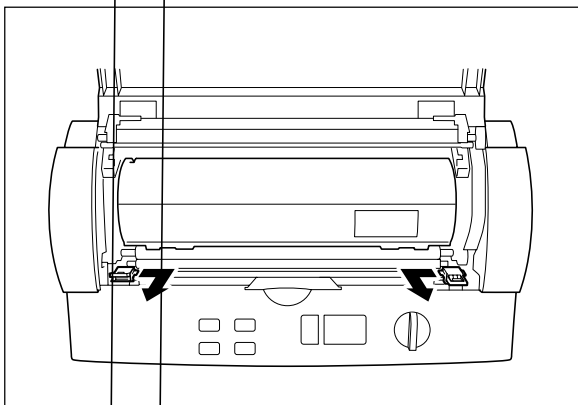
(2) Ouvrez le capot supérieur.



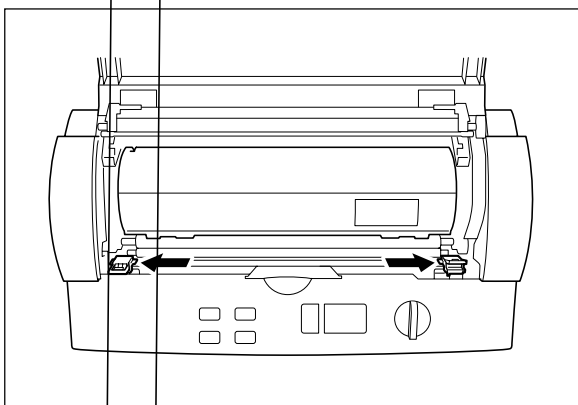
(3) Relevez les leviers de blocage et soulevez le porte-rouleau.



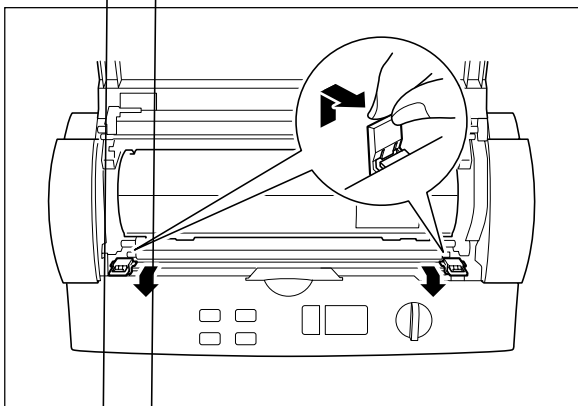
(4) Poussez la languette jaune de la lame de coupe verticale pour la débloquer comme illustré.



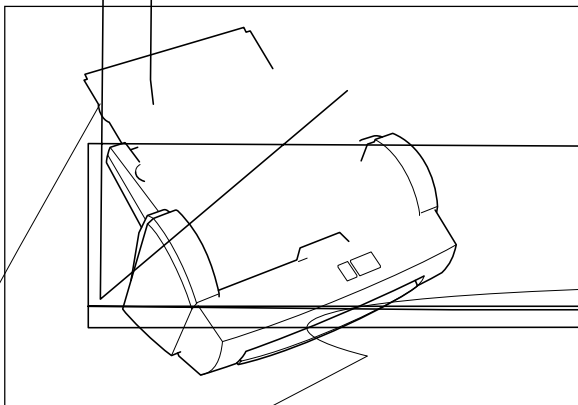
- (5) Faites coulisser la lame de coupe verticale usagée vers la droite/la gauche. Retirez la lame de coupe verticale.



- (6) Faites coulisser la lame de coupe verticale neuve de façon à l'immobiliser dans le porte-lame de coupe verticale.



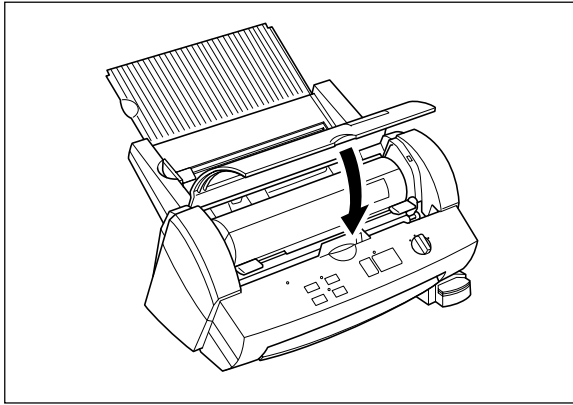
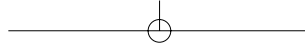
- (7) Relevez la languette pour verrouiller la lame de coupe verticale en position.



- (8) Ramenez les leviers de blocage à leur position d'origine.

Nota

Si les lames de coupe latérale ne sont pas installées correctement, le porte-rouleau ne peut pas regagner sa position d'origine. Veillez à ce que la cartouche de film soit positionnée correctement dans son logement au moment de remettre le porte-rouleau à sa position d'origine.



(9) Rabattez le capot supérieur.

(10) Pour bien tendre le film, appuyez sur la touche **Feed** jusqu'à ce que le bord du film devienne visible.

FRANÇAIS

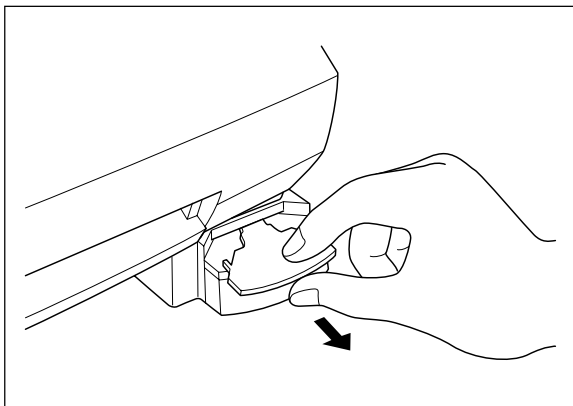
Remplacement du plateau de coupe d'arrondis

La performance de coupe diminuera au fil de l'usure des lames.

Vous pouvez l'améliorer en remplaçant le plateau de coupe d'arrondis.

Le plateau de coupe d'arrondis est utilisable des deux côtés. Avant d'installer un plateau de coupe d'arrondis neuf, essayez de retirer le plateau de coupe comme illustré ci-dessous et réintroduisez-le en le changeant de côté.

Suivez les consignes ci-dessous pour remplacer le plateau de coupe d'arrondis lorsque le besoin se présente.



Plateau de coupe d'arrondis (CC-3)

(1) Retirez le plateau de coupe d'arrondis comme illustré.

(2) Installez le plateau de coupe d'arrondis neuf.

Nota

Utilisez toujours des lames de coupe agréées Brother (SC-2 ou CC-3).

Les autres lames de coupe (lame de coupe supérieure/inférieure et lame supérieure de coupe en coin) ne sont pas remplaçables. Veuillez contacter votre revendeur si ces lames sont endommagées.

Dépistage des pannes

FRANÇAIS

Problème	Origine	Solution
Rien ne se passe une fois que la machine est allumée.	L'adaptateur secteur n'est pas branché correctement.	Vérifiez que la machine est branchée à une source d'alimentation sous tension.
	L'adaptateur secteur utilisé est incorrect.	Servez-vous d'un adaptateur secteur agréé Brother.
	Le capot supérieur n'est pas fermé correctement.	Fermez le capot supérieur.
Le document n'est pas alimenté correctement et la machine émet un signal d'alarme (deux bips sonores).	Le document n'est pas positionné correctement.	Repositionnez le document correctement et appuyez de nouveau sur la touche Start .
	Le document est trop épais ou trop mince.	L'épaisseur du papier utilisé avec cette machine doit être comprise entre 0,004" (17 lbs.) et 0,008" (40 lbs.).
	Le document est écorné ou gondolé.	Les documents gondolés ou écornés ne peuvent pas être plastifiés.
	Le document est trop large.	La largeur du document doit être inférieure à 0,2" (50 mm) et 11,7" (297 mm).
	Le document est trop petit.	Les documents doivent faire au moins 3,5" (90 mm) de long.
La plastification s'arrête et un message d'erreur apparaît en même temps qu'un bip sonore.	Le film est épuisé.	Remplacez la cartouche de film.
	Le document est coincé.	Otez le document coincé.
La machine s'arrête en cours de plastification d'un document, le témoin Start clignote.	La longueur du document est supérieure à 18,5" (470 mm).	Appuyez sur Start pour continuer l'opération.
La qualité du pelliculage n'est pas satisfaisante.	Le document est trop épais ou trop fin.	L'épaisseur du papier utilisé avec cette machine doit être comprise entre 0,004" (17 lbs.) et 0,008" (40 lbs.).
	Le document est écorné ou gondolé.	Les documents écornés ou gondolés ne peuvent pas être plastifiés.
	Le document est trop petit.	Les documents doivent faire au moins 0,2" (50 mm) de large et 3,5" (90 mm) de long.
Le document est alimenté de travers.	Le guide de document n'est pas réglé correctement.	Réglez le guide de document correctement.
Le document n'est pas coupé à l'issue du pelliculage.	Les lames de coupe ne sont pas installées correctement.	Vérifiez l'installation des lames de coupe dans la machine.
	Les lames de coupe sont endommagées.	Remplacez les lames de coupe. Vous pouvez remplacer les lames de coupe verticale et le plateau de coupe d'arrondis. Les lames de coupe inférieure/supérieure ne peuvent pas être remplacées. Si ces lames ne fonctionnent pas correctement, veuillez contacter votre revendeur.
	Le mode cutter off est sélectionné.	Changez le réglage du sélecteur de coupe automatique.
L'emplacement de coupe n'est pas précis (coupe supérieure/inférieure)	Le détecteur de papier est défectueux.	Veuillez contacter votre revendeur.

Problème	Origine	Solution
Les autocollants ne collent pas.	Ce n'est pas du film adhésif qui est chargé dans la machine.	Utilisez un rouleau de film adhésif Brother LC-A12, LC-A9 ou LC-A5.
	Le dos de l'adhésif n'a pas été décollé.	Retirez la pellicule de protection.
	La surface sur laquelle doit adhérer l'autocollant est sale ou rugueuse.	Essuyez la surface ou essayez une autre surface.
Un message d'erreur clignote et le signal sonore retentit quand on allume la machine.	La cartouche de film n'est pas installée correctement ou bien elle n'est pas compatible.	Installez la cartouche de film correctement. Utilisez toujours des cartouches et des recharges de film agréées Brother.
	Ce n'est pas l'adaptateur secteur adéquat qui est utilisé.	Utilisez un adaptateur secteur agréé Brother.
Un message d'erreur clignote et le signal sonore retentit quand le capot supérieur est fermé.	La cartouche de film n'est pas installée correctement ou bien elle n'est pas compatible.	Installez la cartouche de film correctement. Utilisez toujours des cartouches et des recharges de film agréées Brother.
Le bouton START ne fonctionne pas.	Les cutters ne sont pas installés correctement.	Vérifier la mise en place des cutters et réinstallez-les correctement si besoin est.

FRANÇAIS

Spécifications

Modèle :	LX-1200
Méthode de plastification :	Par pression à froid
Alimentation :	Adaptateur secteur (fourni) Sortie CC 18 V 700 mA
Largeur mini./maxi. du doc. :	2,0" – 11,7" (50 mm - 297 mm)
Longueur mini. du doc. :	3,54" (90 mm)
Épaisseur mini./maxi. du doc. :	0,004" – 0,008" (0,1 mm/3,9MIL - 0,2 mm/7,9MIL)
Film :	Film en cartouche remplaçable
Type de film :	LC-D12/D12R (laminé double face de A3 de largeur) LC-A12/A12R (laminé à dos adhésif de A3 de largeur) LC-D9/D9R (laminé double face de A4 de largeur) LC-A9/A9R (laminé à dos adhésif de A4 de largeur) LC-M9/M9R (format A4 plastification face magnétique) LC-D5/D5R (laminé double face de A6 de largeur) LC-A5/A5R (laminé à dos adhésif de A6 de largeur) LC-M5/M5R (format A6 plastification face magnétique)
Nombre maxi. d'impressions/cartouche :	LC-D12/D12R: Approximativement 86 feuilles/papier 11" × 17" LC-A12/A12R: Approximativement 20 feuilles/papier 11" × 17" LC-D9/D9R: Approximativement 68 feuilles/format lettre LC-D5/D5R: Approximativement 121 feuilles/papier 4" × 6" LC-M9: Approximativement 13 feuilles/format lettre LC-M5: Approximativement 21 feuilles/papier 4" × 6"
Vitesse d'alimentation du doc. :	0,98"/sec. (25 mm/sec.)
Système de coupe :	Système de coupe intégré avec détection de la taille du papier Lames de coupe verticale (remplaçables par l'utilisateur) Lame de coupe supérieure/inférieure (non remplaçable par l'utilisateur) Plateau de coupe d'arrondis (remplaçable par l'utilisateur – inférieur uniquement)
Durée de vie des lames :	Lame de coupe verticale 984 ft (300 mm) Lame de coupe sup./inf. 5,000 feuilles environ (avec un film laminé à dos adhésif) Lame de coupe d'arrondis (sup.) 20,000 coupes Plateau de coupe d'arrondis 3,000 coupes
Niveau de bruit :	35 dB (mode veille)
Dimensions de la machine :	18,3" (L) * 15,2" (P) * 10,8" (H) (468 mm * 387 mm * 273 mm)
Poids de la machine (cartouche de film et adaptateur secteur non compris)	8,3 kg (18,3 lbs)

FRANÇAIS

Table des Matières

Annexe (A propos du logiciel PrintMaster Gold).....	40
Prise en main.....	42
Configuration minimale requise.....	42
Démarrage de PrintMaster Gold sous Windows 95/98.....	42
Démarrage de PrintMaster Gold sous Windows 3.1x ou Windows pour Workgroups.....	42
Installation de PrintMaster Gold.....	43
Lancement de PrintMaster Gold à l'issue de l'installation.....	43
Suppression de PrintMaster Gold.....	43
Réinstallation de PrintMaster Gold.....	44
Affichage/Impression du guide d'utilisation de PrintMaster Gold.....	45
Comment installer Adobe Acrobat Reader.....	45
Comment ouvrir le guide.....	45

Annexe (A propos du logiciel PrintMaster Gold)

Mindscape et PrintMaster sont des marques déposées et le logo Mindscape est une marque de The Learning Company.

Adobe et Acrobat sont des marques de Adobe system Incorporated.

Windows est une marque déposée de Microsoft Corp. aux Etats-Unis et dans d'autres pays.

IBM est une marque déposée de International Business Machine, Inc.

Vous n'avez pas besoin d'un ordinateur pour vous servir de la machine à plastifier à froid. Toutefois, si vous disposez d'un ordinateur et d'une imprimante, le logiciel pour PC livré avec la machine PrintMaster Gold permet la réalisation de superbes documents à plastifier que vous aurez plaisir à montrer et à distribuer. Il vous suffit de choisir un modèle prêt à l'emploi dans la vaste collection proposée par PrintMaster Gold, d'y apporter toute modification éventuelle souhaitée et de lancer l'impression. C'est un véritable jeu d'enfant !

Nota:

Chaque fois que vous utilisez PrintMaster, vous devrez insérer le CD-ROM PrintMaster Gold dans votre ordinateur.

Si vous rencontrez des problèmes techniques dans le cadre de l'exploitation de ce logiciel, veuillez contacter le service technique de l'éditeur de logiciel The Learning Company.

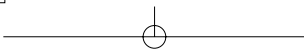
La liste des Centres d'assistance technique gérés par The Learning Company est la suivante :

Pays	Implantation
Etats-Unis	Formulaire de demande de soutien en ligne: www.expressit.com E-mail Assistance technique: help@tlcsupport.com Logithèque technique en ligne: www.support.expressit.com Fax à la demande 24/24: 319-395-9600 Télécentre d'assistance technique: 319-247-3333 Heures ouvrées: de 08h00 à 18h00 (CST) Adresse postale: Mattel Interactive 1700 Progress Drive PO Box 100-TS Hiawatha, IA 52233-0100 USA Attn: Printmaster 4 Publishing Suite
Royaume-Uni	E-mail Assistance technique: uksupport@learningco.com Téléphone: 09062165432 (Les appels coûtent 25 p/min et peuvent être surveillés/enregistrés. Informations correctes en avril 1999) Télécopie: 09062165433 (Les appels coûtent 25 p/min. Informations correctes en avril 1999) Adresse postale: The Learning Company PO Box 121 Crawley RH11 9YP ANGLETERRE Attn: Printmaster 4 Publishing Suite

FRANÇAIS

AUSTRALIE	<p>Téléphone: 61-2-9899-2277 Télécopieur: 61-2-9899-2348 Adresse postale: Unit 6 372 Eastern Valley Way Chatswood NSW 2067 Australie</p>
ALLEMAGNE	<p>Keltenring 12 82041 Oberhaching Allemagne</p> <p>Tél.: ++49 89/613 092 35 Fax: ++49 89/14827-411</p> <p>E-mail: hotline@learningco.com</p>
FRANCE	<p>122, avenue de General Leclerc 92514 Boulogne Cedex France</p> <p>Tél.: +33 1 55 38 48 58 E-mail: supportfr@learningco.com Web: http://www.tlc-edusoft.fr</p>
PAYS-BAS	<p>PO Box 94791 1090 GT Amsterdam Pays-Bas</p> <p>Tél.: 0900 8524357</p> <p>E-mai: nsupport@learningco.com</p>

FRANÇAIS



Prise en main

Avant l'installation, vérifiez la configuration minimale requise indiquée ci-dessous pour vous assurer que votre ordinateur est en mesure de travailler avec PrintMaster Gold.

Configuration minimale requise

PrintMaster Gold fonctionnera sur tout système doté des caractéristiques suivantes :

- PC IBM ou compatible doté d'un processeur 486DX2 66 MHz (ou supérieur)
- Windows 95, Windows 98, Windows 3.1x/Windows pour Workgroups
- (tournant en mode 386 étendu)
- Au moins 8 Mo de RAM (16 Mo recommandés)
- Au moins 30 Mo d'espace libre sur le disque dur
- Lecteur de CD-ROM X2 ou plus
- Souris Microsoft ou 100 % compatible
- Carte son Sound Blaster ou 100 % compatible (recommandée)
- Modem Hayes ou 100 % compatible (facultatif)

Imprimantes prises en charge : PrintMaster Gold donne des tirages de la plus haute résolution avec toutes les imprimantes couleur ou noir & blanc supportées par Windows. Veillez à disposer de suffisamment de cartouches d'encre avant de lancer l'impression. Nous vous conseillons d'imprimer vos tirages sur la qualité optimale de papier prise en charge par votre imprimante (il s'agira en principe d'une variété de papier glacé).

Graphiques pris en charge : PrintMaster Gold permet la création d'une grande variété d'images couleurs de superbe qualité aux formats CGM, TIFF, PSD et JPG et travaille avec tous les autres formats de graphique les plus répandus PCX, TIF, GIF, WMF, BMP et Kodak Photo CD.

Polices prises en charge : PrintMaster Gold peut travailler avec toutes les polices True Type installées sous Windows.

Démarrage de PrintMaster Gold sous Windows 95/98

Suivez la procédure ci-dessous pour installer PrintMaster Gold sur votre disque dur.

Si vous travaillez sous Windows 95 ou 98, le CD-ROM PrintMaster Gold prévoit une fonction d'**exécution automatique** décrite ci-après :

1. Insérez le CD-ROM PrintMaster Gold dans votre lecteur de CD-ROM ; le programme d'installation démarrera automatiquement.
2. Passez à la section suivante, intitulée "Installation de PrintMaster Gold".

Si la fonction d'exécution automatique sous Windows 95 ou 98 est inhibée sur votre système, lancez l'installation de PrintMaster Gold en procédant comme suit :

1. Dans le menu **Démarrer**, cliquez sur **Exécuter**.
2. Sur la ligne de commande, indiquez la lettre de l'unité dans laquelle se trouve le CD-ROM PrintMaster Gold et tapez **INSTALL** (Exemple : **D:INSTALL**). Appuyez sur **ENTREE** ou cliquez sur **OK** pour continuer.
3. Passez à la section suivante intitulée. "Installation de PrintMaster".

Démarrage de PrintMaster Gold sous Windows 3.1x ou Windows pour Workgroups

Suivez la procédure ci-après pour installer PrintMaster Gold sur votre disque dur.

1. Ouvrez le menu Fichier du Gestionnaire de programmes et sélectionnez Exécuter.
2. Indiquez la lettre de l'unité dans laquelle se trouve le CD-ROM et tapez **INSTALL** (Exemple : **D:INSTALL**) sur la ligne de commande et appuyez sur **ENTREE** ou cliquez sur **OK** pour continuer.
3. Passez à la section suivante intitulée Installation de PrintMaster Gold.

Installation de PrintMaster Gold

1. Cliquez sur le bouton Install ou appuyez sur **ENTREE** pour continuer l'installation.
L'écran d'installation de PrintMaster Gold s'affiche avec l'unité et le répertoire d'installation par défaut que vous pouvez accepter ou modifier.
2. Cliquez sur **Continuer** ou appuyez sur **ENTREE** pour installer PrintMaster Gold dans le répertoire par défaut, C:\PMW ou cliquez sur le bouton **Personnaliser** pour installer PrintMaster Gold dans l'unité et le répertoire de votre choix.

Lancement de PrintMaster Gold à l'issue de l'installation :

Sous Windows 95/98 :

1. Démarrez Windows comme à l'accoutumée. Le processus d'installation crée un nouveau groupe de menu pour PrintMaster Gold dans la section Programmes du menu Démarrer.
2. Cliquez sur Démarrer dans le coin inférieur gauche de l'écran.
3. Cliquez sur Programmes puis ouvrez le groupe PrintMaster Gold et cliquez sur l'icône PrintMaster Gold.

Nota :

Vous pouvez également cliquer deux fois sur l'icône PrintMaster Gold dans la fenêtre du groupe PrintMaster Gold.

Pour vous servir de la fonction d'exécution automatique dans Windows 95/98 :

1. Démarrez Windows comme à l'accoutumée.
2. Introduisez le CD-ROM PrintMaster Gold. La fonction d'exécution automatique sous Windows 95/98 lancera automatiquement le programme.
3. Cliquez sur Exécuter pour aller au delà de l'écran de titre.

Sous Windows 3.1x

1. Ouvrez le Gestionnaire de programmes et faites un double clic sur le sous-répertoire PrintMaster Gold.
2. Faites un double clic sur l'icône PrintMaster Gold.

Suppression de PrintMaster Gold

Pour supprimer une version existante de PrintMaster Gold de votre ordinateur, servez-vous de la fonction Désinstaller. Si vous disposez déjà d'une version antérieure de PrintMaster Gold, nous vous conseillons de commencer par la supprimer.

Nota :

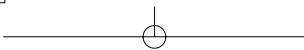
Le fait de supprimer PrintMaster Gold supprimera également tous les projets et les carnets d'adresses précédemment créés dans le répertoire PMW. Si vous souhaitez les conserver, enregistrez-les dans un autre répertoire.

Sous Windows 95/98

1. Cliquez sur le bouton Démarrer dans le coin gauche de l'écran. Un menu déroulant s'affiche.
2. Trouvez le sous-menu de groupe PrintMaster Gold. Dans celui-ci, cliquez sur l'icône Supprimer PrintMaster Gold.
3. Suivez les consignes qui s'affichent à l'écran. PrintMaster Gold sera supprimé de votre disque dur.

Ou

1. Démarrez Windows 95/98.
2. Insérez le CD-ROM PrintMaster Gold.
3. Lorsque l'écran d'accueil PrintMaster Gold s'affiche, cliquez sur Supprimer. Puis, suivez les consignes qui s'affichent à l'écran.



Sous Windows 3.1x

1. Localisez le groupe PrintMaster Gold dans le Gestionnaire de programmes.
2. Faites un double clic sur le groupe pour afficher son contenu.
3. Faites un double clic sur l'icône Désinstaller.
4. Suivez les consignes qui s'affichent à l'écran. PrintMaster Gold sera supprimé de votre disque dur.

Réinstallation de PrintMaster Gold

Bien que cela soit rare, il peut arriver que les fichiers PrintMaster Gold s'altèrent et que le programme ne fonctionne pas correctement. Dans ce cas, vous pouvez réinstaller PrintMaster Gold, ce qui élimine les anciens fichiers et rétablit la fonctionnalité du logiciel.

Sous Windows 95/98

1. Démarrez Windows 95/98.
2. Insérez le CD-ROM PrintMaster Gold.
3. Lorsque l'écran de titre PrintMaster Gold s'affiche, cliquez sur Réinstaller puis suivez les consignes qui s'affichent à l'écran.

Nota :

La réinstallation effacera tous les projets enregistrés dans Votre propre fichier.

Sous Windows 3.1

1. Dans le groupe de programmes PrintMaster, cliquez sur Install.
2. Suivez les consignes qui s'affichent à l'écran. PrintMaster Gold réinstalle tous les fichiers programme et les fichiers graphiques en supprimant les anciens fichiers.

Nota :

La réinstallation effacera tous les projets enregistrés dans Votre propre fichier.

Affichage/Impression du guide d'utilisation de PrintMaster Gold

L'intégralité du Guide d'utilisation figure sur le CD-ROM PrintMaster Gold.

Veillez installer le logiciel de lecture de document Adobe Acrobat Reader pour consulter le manuel en ligne.

Comment installer Adobe Acrobat Reader

1. Faites un double clic sur le fichier Ar32e301 dans le dossier Acrobat 3 du CD-ROM.
2. Veuillez suivre la procédure.

Configuration requise

Ordinateur individuel doté d'un processeur X86- (386 minimum, 486, Pentium ou Pentium Pro recommandé)

Microsoft Windows 3.1x, 95, 98

4 Mo de RAM

5 Mo d'espace libre sur le disque dur plus 7 Mo d'espace disque temporaire supplémentaire disponible au cours de l'installation.

Comment ouvrir le guide

1. Faites un double clic sur le fichier manual.pdf du CD-ROM PrintMaster Gold. L'intégralité du manuel s'affichera à l'écran.

Nota

Pour pouvoir ouvrir le fichier, le programme Acrobat Reader doit être installé sur votre PC. Veuillez consulter la section qui précède.