

TFT PORTABLE DVD PLAYER

SUNSTECH PLF-77

SERVICE MANUAL

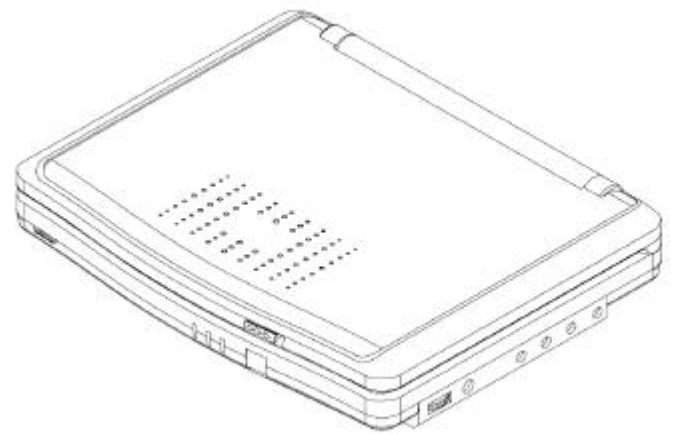
© 2006- PRINTED IN

R519MB

CAUTION: Before servicing the chassis, read the "IMPORTANT SERVICE SAFETY INFORMATION" section on page 2 of this manual.

SPECIFICATIONS

- **GENERAL SPECIFICATION**
- 7" ACTIVE-MATRIX TFT TYPE.
- DVD, VCD, CD, CD-R, CD-RW, MP3, HDCD SUPPORTS.
- 16:9 / 4:3 PICTURE SELECT.
- HIGH BRIGHTENNESS.
- HIGH CONTRAST.
- WITH LOGO OPENING SCREEN.
- SLOW MOTION 1/2, 1/4, 1/8, 1/16
- F.B / F.F x2, x4, x8, x16 SPEED.
- ANGLE MENU.
- 20 TRACK PROGRAM FOR CD PLAYING.
- ZOOM x 2, 3, 4.
- REMOTE CONTROL.
- EXTERNAL VIDEO/AUDIO IN x1.
- S. VIDEO OUTPUT (for Ext. TV Monitor)
- HEADPHONE OUT x 1.
- AUDIO OUTPUT 0.5W x 2/8 ohm.
- LONG BATTERY TIME OF OVER 2 HRS.
- DIMENSION :
212(L) x 170(W) x 430(H) mm(excluding battery)
- AC POWER SOURCE:
ADAPTER: 230V
- DC POWER SOURCE:
BATTERY PACK: 7.2V



CONTENTS

IMPORTANT SERVICE SAFETY INFORMATION.....	2
DISASSEMBLY FOR REPAIR	3
WIRING DIAGRAM.....	4
BLOCK DIAGRAM.....	5
CIRCUIT DESCRIPTION	6~13
PARTS LIST	14~24
EXPLODED VIEW	25~26
SCHEMATIC DIAGRAMS.....	27~32
PRINTED CIRCUIT BOARDS.....	33~44

Note: Follows a policy of continuous advancements in development. For this reason specifications may be changed without notice.

IMPORTANT SERVICE SAFETY INFORMATION

1. SAFETY PRECAUTIONS

Before returning a unit to the customer, always make a safety check of the entire unit, including, but not limited to the following items:

a. Be sure that no built-in protective devices are defective and/or have been defeated during servicing.

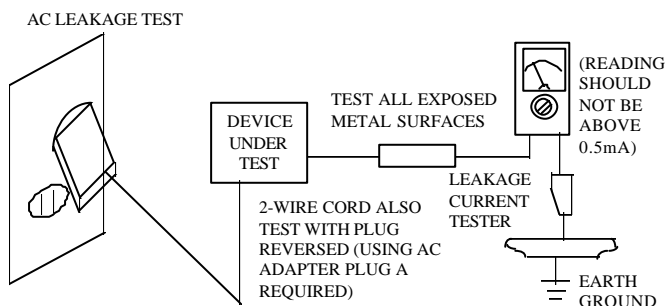
(1) Protective shields are provided to protect both the technician and the customer. Correctly replace all missing protective shields including any removed for servicing convenience.

(2) When reinstalling the chassis and/or other assemblies in the cabinet, be sure to put back in place all protective devices, including, but not limited to, nonmetallic control knobs, insulating fishpapers, adjustment and compartment covers/shields and isolation resistor capacitor networks. Do not operate this unit or permit it to be operated without all protective devices correctly installed and functioning.

b. Be sure that there are no cabinet openings through which an adult or child might be able to insert their fingers and contact a hazardous voltage. Such openings include, but are not limited to, excessively wide cabinet ventilation slots, and an improperly fitted and/or incorrectly secured cabinet back cover.

c. Leakage Current Hot Check - With the unit completely reassembled, plug the AC line cord directly into a AC outlet. (Do not use an isolation transformer during this test.) Use a leakage current tester or a metering system that complies with American National Standards Institute (ANSI) C101.1 "Leakage Current for Appliances" and Underwriters Laboratories (UL) 1410, (50.7). With the unit AC switch first in the ON position and then in the OFF position, measure from a known earth ground (metal water pipe, conduit, etc.) to all exposed metal parts of the unit (antennas, handle bracket, metal cabinet, screwheads, metallic overlays, control shaft, etc.), especially any exposed metal parts that offer an electrical return path to the chassis. Any current measured must not exceed 0.5 milliamp. Reverse the unit power cord plug in the outlet and repeat test.

ANY MEASUREMENTS NOT WITHIN THE LIMITS SPECIFIED HEREIN INDICATE A POTENTIAL SHOCK HAZARD THAT MUST BE ELIMINATED BEFORE RETURNING THE UNIT TO THE CUSTOMER.

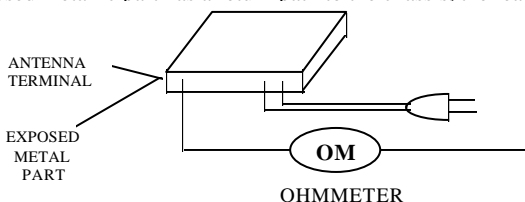


d. Insulation Resistance Test Cold Check

(1) Unplug the power supply cord and connect a jumper wire between the two prongs of the plug.

(2) Turn on the power switch of the unit.

(3) Measure the resistance with an ohmmeter between the jumpered AC plug and each exposed metallic cabinet part on the unit, such as screwheads, antenna, control shaft, handle brackets, etc. When the exposed metallic part has a return path to the chassis, the reading



should be between 1 and 5.2 Megohm. When there is no return path to the chassis, the reading must be "infinite". If it is not within the limits specified, there is the possibility of a shock hazard, and the unit must be repaired and rechecked before it is returned to the customer.

2. PRODUCT SAFETY NOTICE

Some electrical and mechanical parts have special safety related characteristics which are often not evident from visual inspection, nor can be protection they give necessarily be obtained by replacing them with components rated for higher voltage, wattage, etc. Parts that have special safety characteristics are identified by a \triangle on schematic and parts list. Use of a substitute replacement that does not have the same safety characteristics as the recommended replacement part might create shock, fire, and/or other hazards. Product Safety is under review continuously and new instructions are issued whenever appropriate.

3. SERVICING PRECAUTIONS

CAUTION: Before servicing the unit covered by this service manual and its supplements, read and follow the SAFETY PRECAUTIONS on this page. NOTE: If unforeseen circumstances create a conflict between the following servicing precautions and any of the safety precautions, always follow the safety precautions. Remember: Safety First.

General Servicing Precautions.

a. Always unplug the unit's AC power cord from the AC power source before:

(1) removing or reinstalling any component, circuit board, module, or any other unit assembly.

(2) disconnecting or reconnecting any unit electrical plug or other electrical connection.

(3) connecting a test substitute in parallel with an electrolytic capacitor in the unit.

Caution: A wrong part substitution or incorrect polarity installation of electrolytic capacitors may result in an explosion hazard.

b. Do not defeat any plug/socket B+ voltage interlocks with which the unit covered by this service manual might be equipped.

c. Do not apply AC power to this unit and/or any of its electrical assemblies unless all solid-state device heat sinks are correctly installed.

d. Always connect a test unit ground lead to the unit chassis ground before connecting the test unit positive lead. Always remove the test instrument's ground lead last.

4. LASER PRECAUTIONS

WARNING!

1. When servicing (in case it is necessary to confirm Laser Beam Emission), be sure not to place your eyes any closer than 1 ft or 30cm from the surface of the Object Lens on the Optical Pickup Block.

HANDLING THE LASER PICKUP

2. Laser diodes are extremely susceptible to damage from static electricity. Even if a static discharge does not ruin the diode, it can shorten its life or cause it to work improperly. When replacing the pickup, use a conductive mat on the floor and desk and wear a wrist band connected to ground through a 1M ohm resistor to protect the laser diode from static damage. If the lens should get dusty, blow off the

dust carefully from the object.

3. There are no adjustable parts in the pickup assembly. If it is defective, replace the whole pickup assembly.

CAUTION:

USE OF CONTROLS, ADJUSTMENTS OR PERFORMANCE OF PROCEDURES HEREIN MAY RESULT IN HAZARDOUS

RADIATION EXPOSURE.

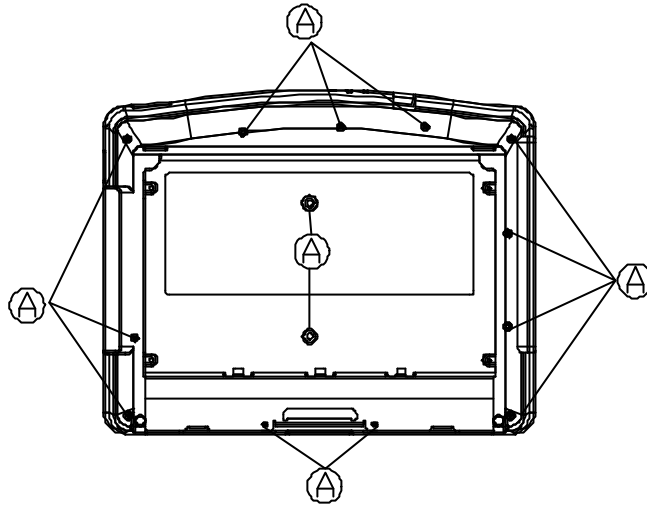
DANGER:

IF INTERLOCK FAILS OR IS DEFEATED, THE LASER LIGHT IS ABLE TO FUNCTION. THE LASER IS INVISIBLE, AVOID DIRECT EXPOSURE TO BEAM.

DISASSEMBLY FOR REPAIR

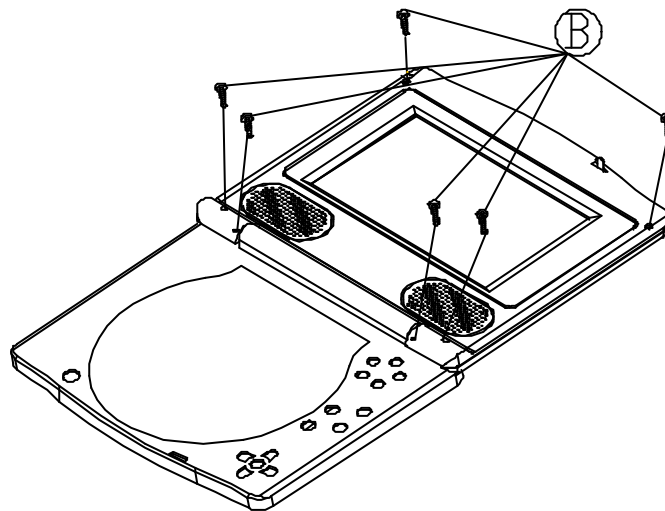
TO DISASSEMBLY THE BOTTOM METAL CABINET

1. Remove the 14 screws (A) from bottom metal cabinet.

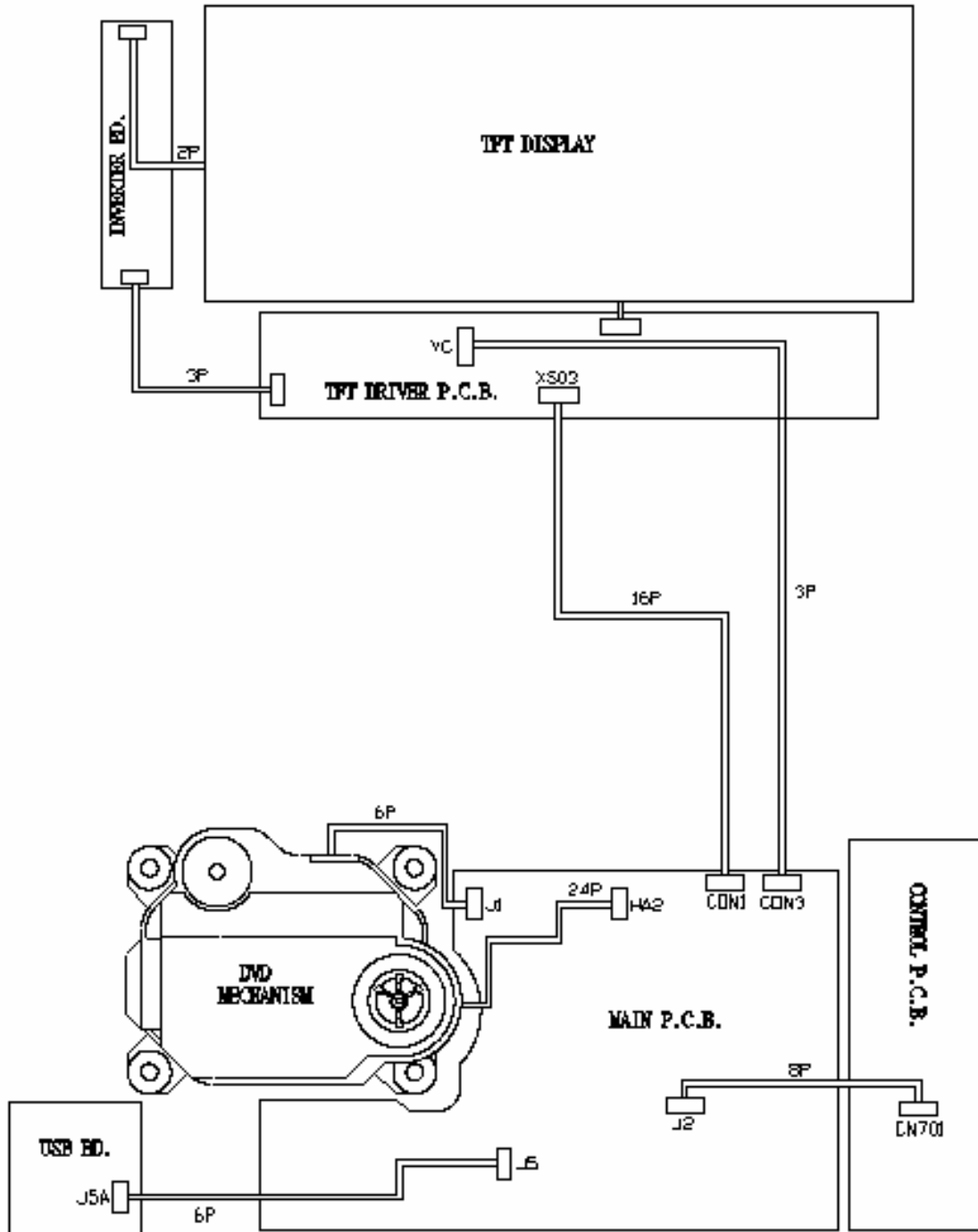


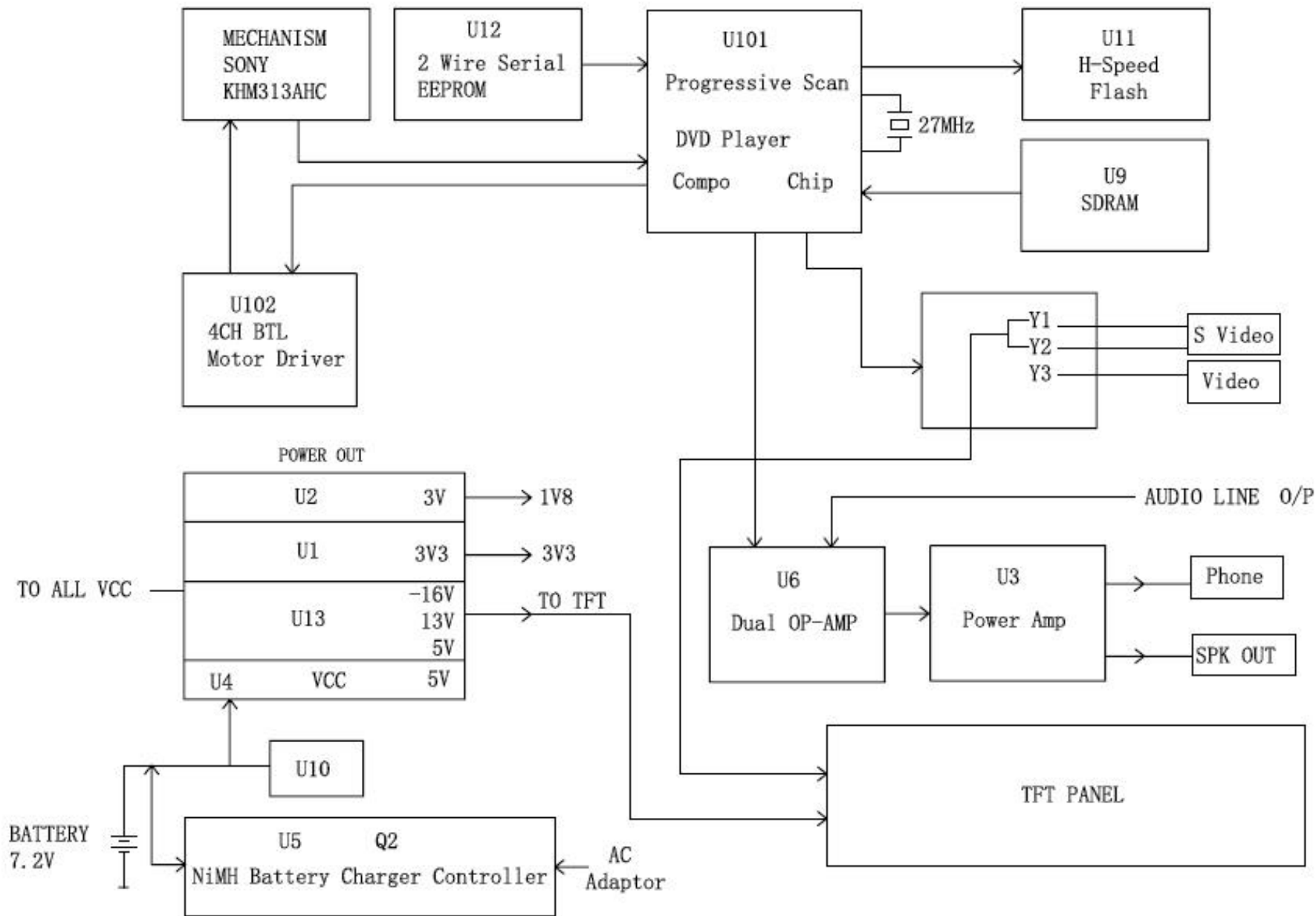
TO REMOVE THE INNER PANEL

2. Remove the 6 screws (B) from the inner panel and out panel.



WIRING DIAGRAM

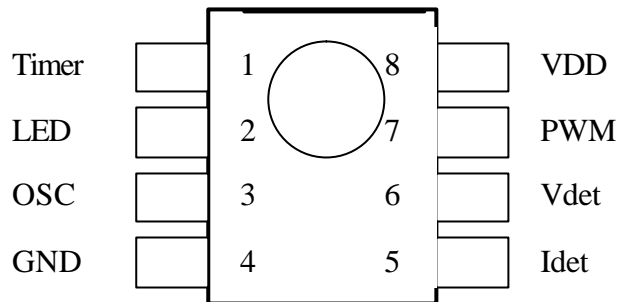




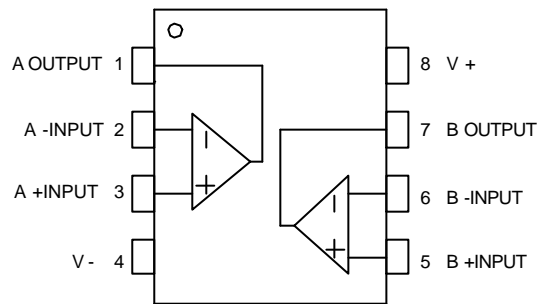
BLOCK DIAGRAM

CIRCUIT DESCRIPTION

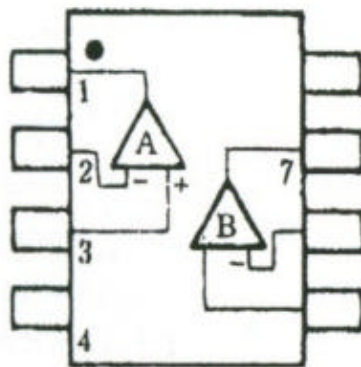
NiMH BATTERY CHARGER CONTROLLER: LS2964S (U5)



DUAL OPERATIONAL AMPLIFIER: RC4558D (U6)

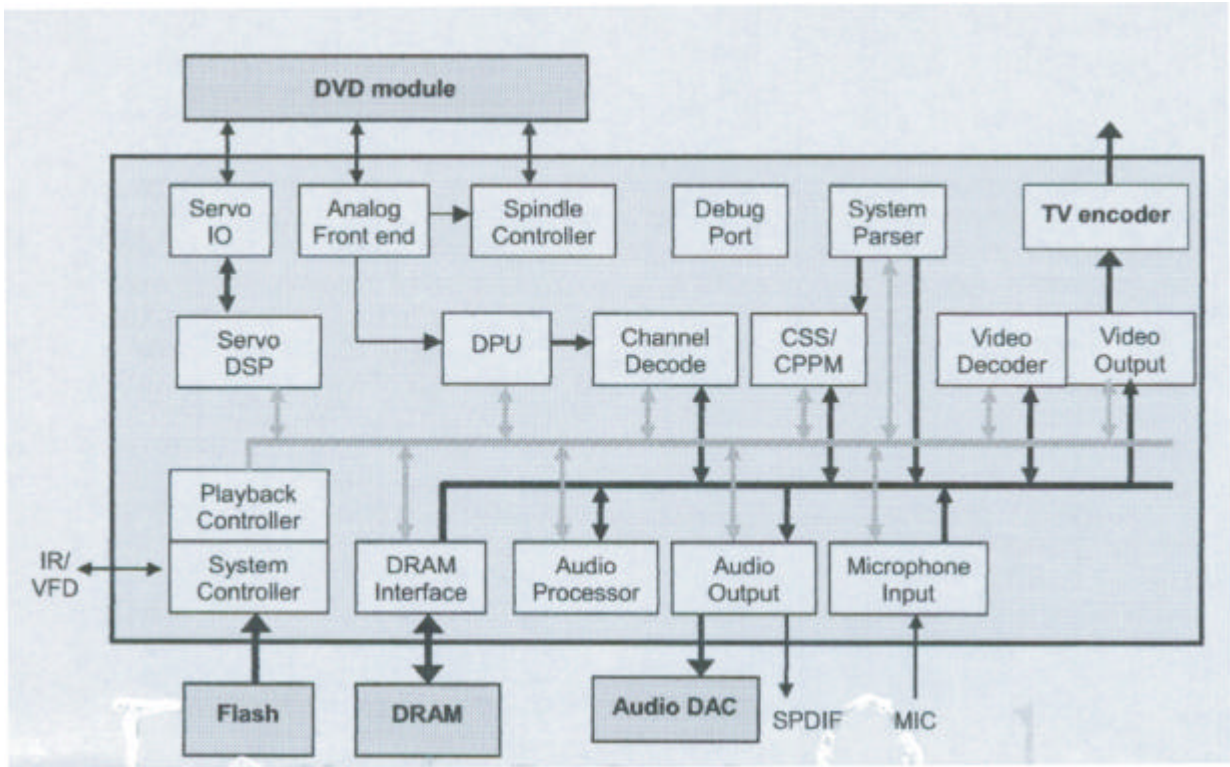


SINGLE-SUPPLY DUAL HIGH CURRENT OPERATIONAL AMPLIFIER: NJM3414AM-TE1(U3)

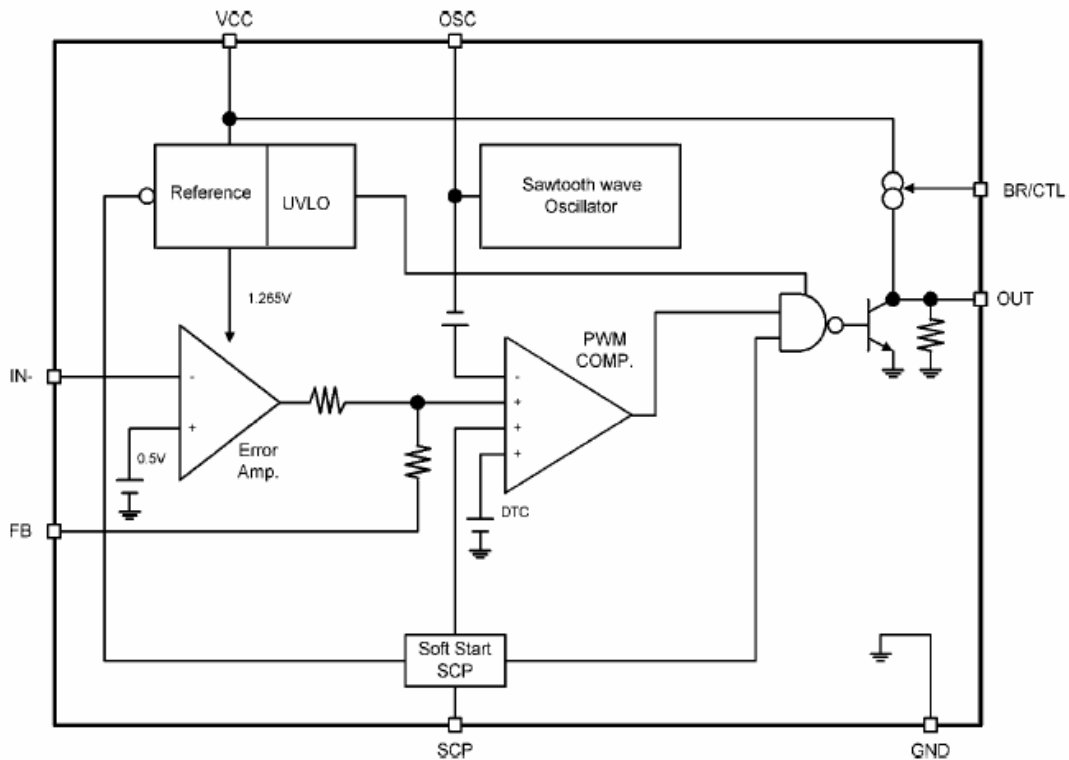


CIRCUIT DESCRIPTION

PROGRESSIVE SCAN DVD PLAYER COMBO CHIP: MT1389QE/D (U101)

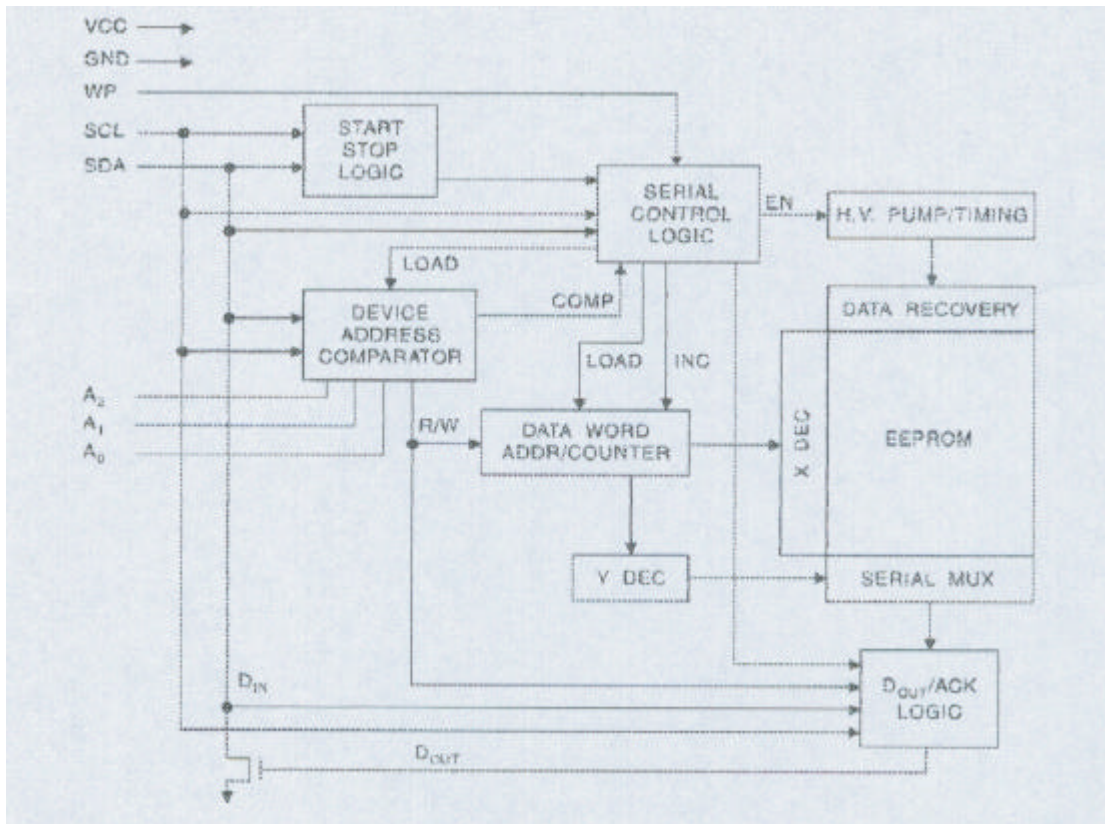


SWITCHING REGULATOR CONTROLLER FOR LCD BIAS: AT1380HP(U13)

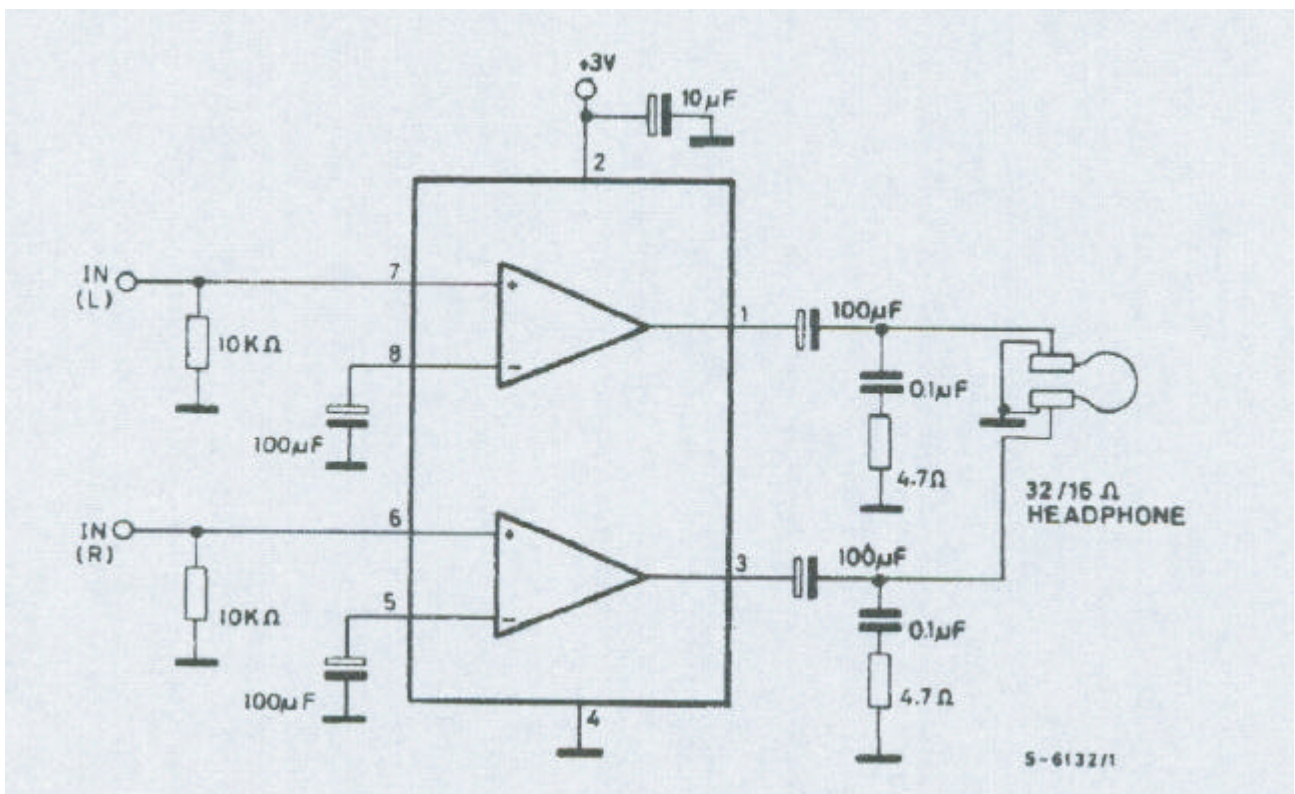


CIRCUIT DESCRIPTION

2-WIRE SERIAL EEPROM: AT24C02BN-10SU-1.8 (U12)

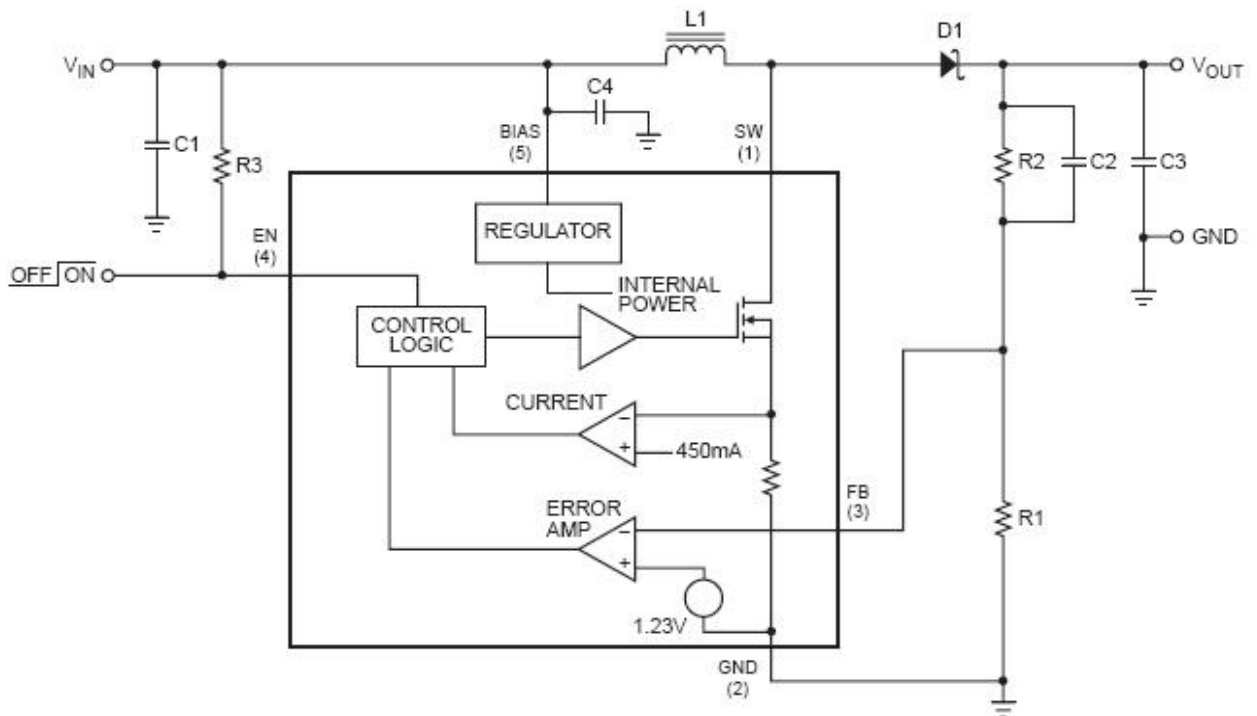


DUAL LOW-VOLTAGE POWER AMPLIFIER: NJM2073M (U3)

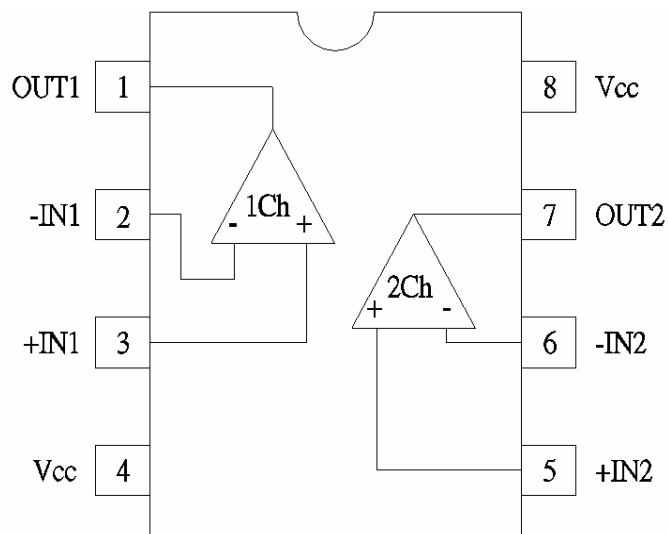


CIRCUIT DESCRIPTION

25V STEP-UP CONVERTER IC: MP1522ET (U1)

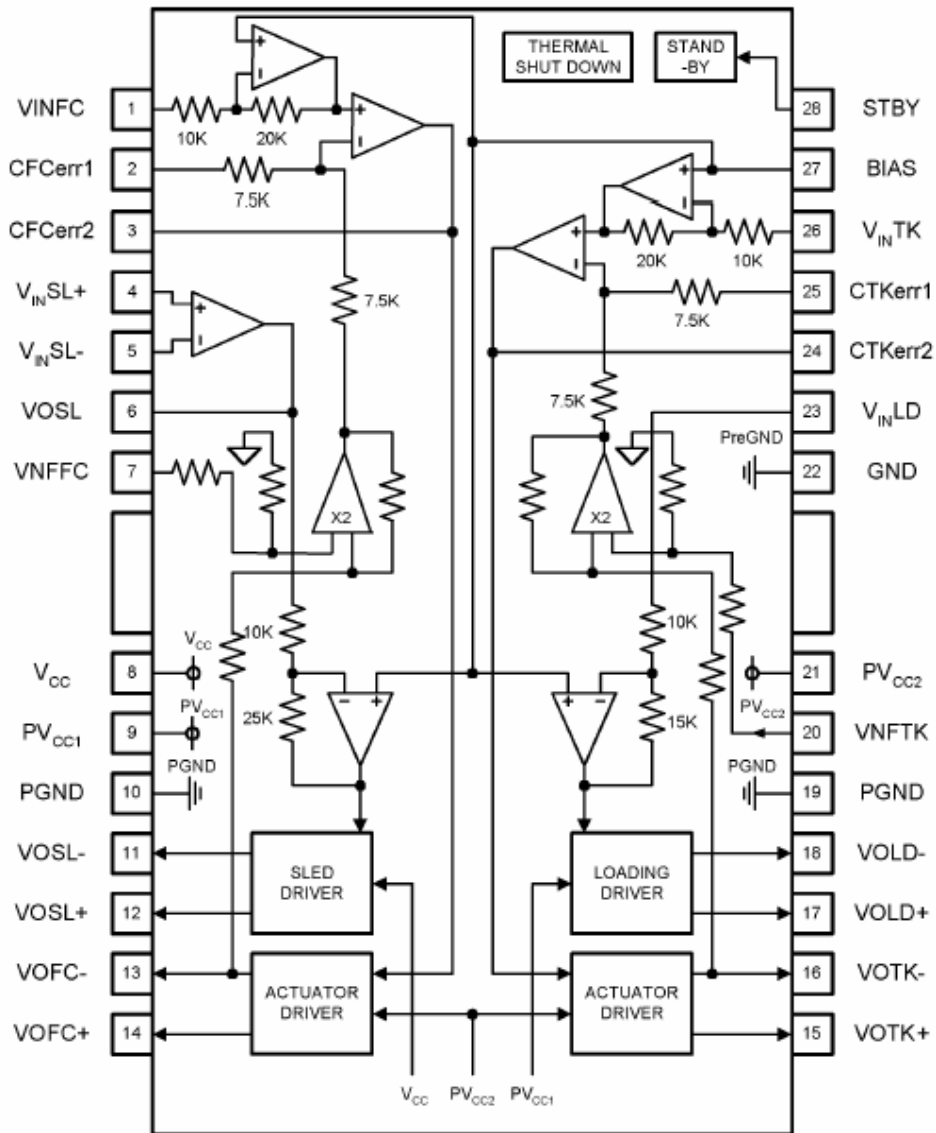


DUAL COMPARATORS: LM393DR (U10)

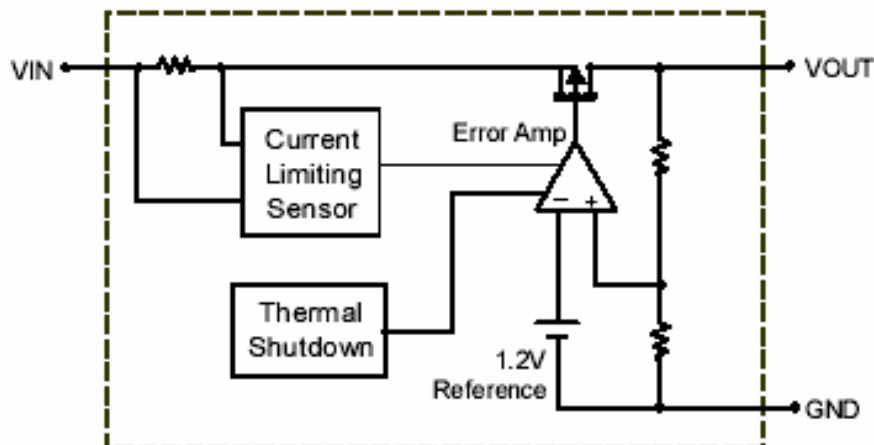


CIRCUIT DESCRIPTION

4-CHANNEL BTL MOTOR DRIVER FOR CD-ROM: AT5654H (U102)

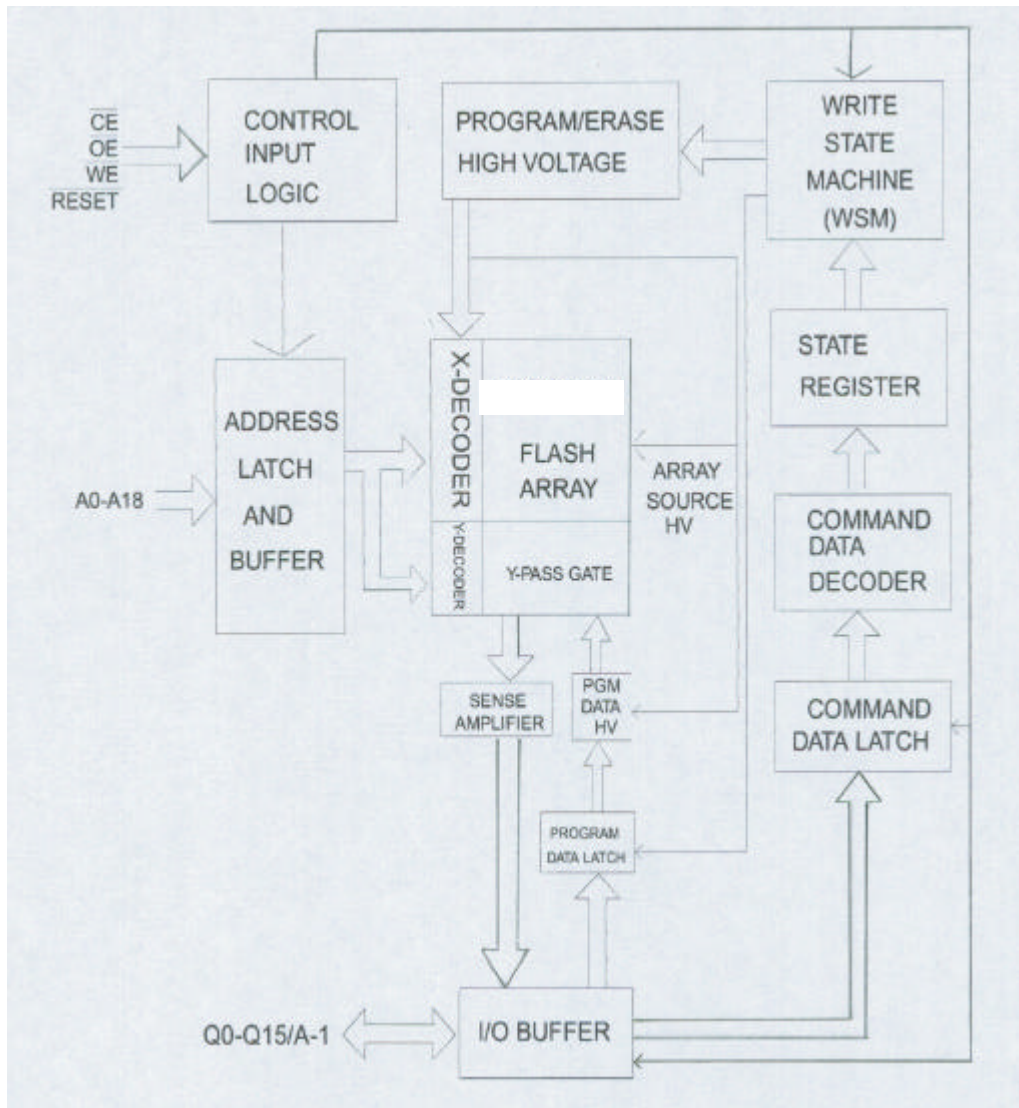


300/500MA LOW DROPOUT LINEAR VOLTAGE REGULATOR: RP1102-33CGL (U1,U2)

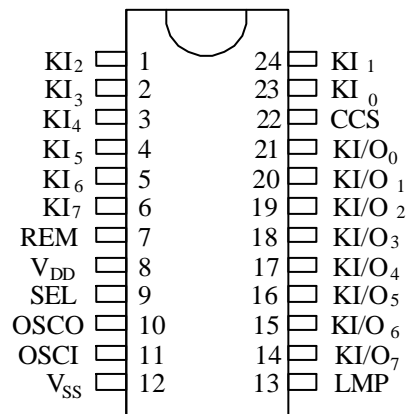


CIRCUIT DESCRIPTION

8M CMOS SINGLE VOLTAGE 3V ONLY HIGH SPEED FLASH: AT49BV802AT-70TU (U11)

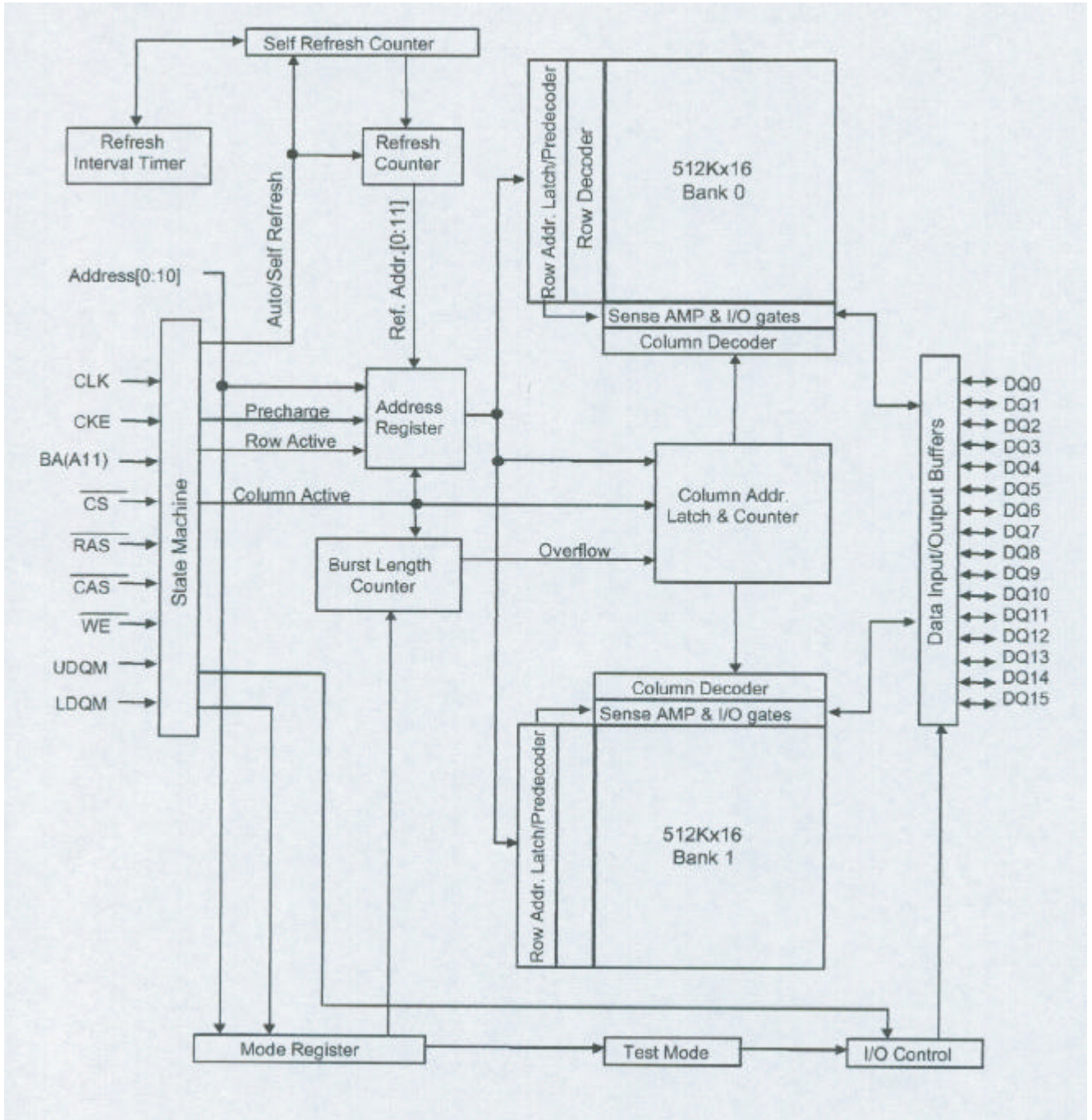


INFRARED REMOTE CONTROL TRANSMITTER : SC6122-001 (IC1)



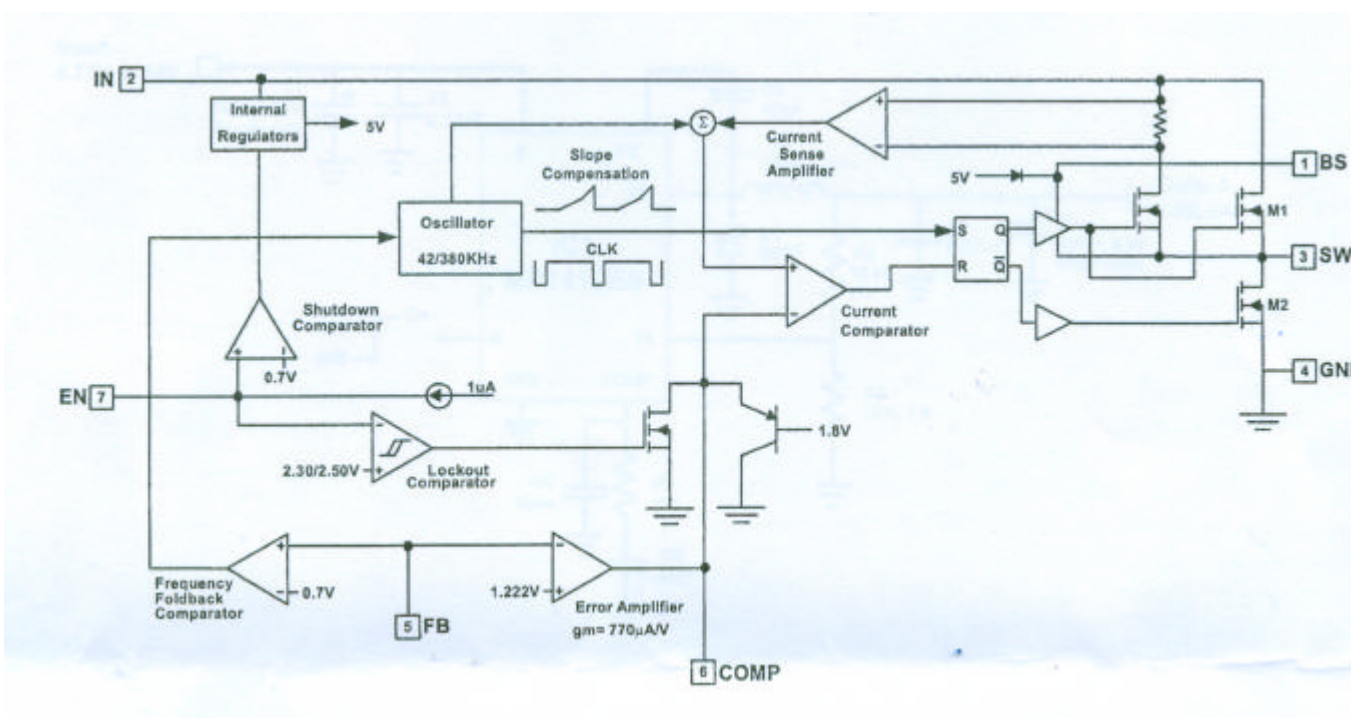
CIRCUIT DESCRIPTION

2 BANKS X 512K X 16 BIT SYNCHRONOUS DRAM : K4S641632H-UC75 TSOP-54 (U9)

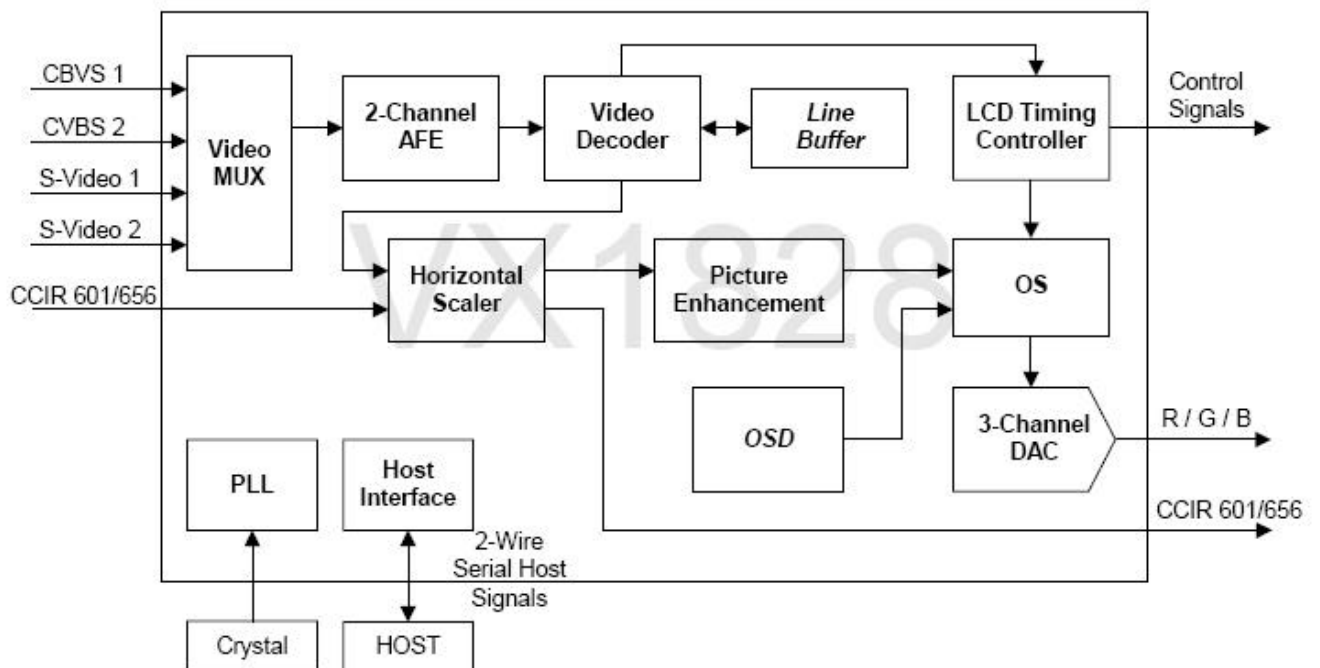


CIRCUIT DESCRIPTION

2A STEP DOWN DC TO DC CONVERTER: MP9141ES-LF-Z (U2, 4)



VIDEO PROCESSOR FOR MIDDLE SIZE LCD PANEL: VX1828 (U1)



Ref. No	Parts No.	Description	QTY
	2772M-STD-31	2772MB 120-230V VDE APP. STD ASSY	1
	059-05202-100-102	SW.ADAPTOR(SPEC LIN)VDE:EN60065; W/M.I.C SW0901500-W02(GP) 100~240V;TUV/CE;ROHS	1
	HS-R519MB-GY-410	R519MB H/S CHASSIS W/COSMETIC ASSY(ROHS)	1
	001-04050-710	N405M REMOTE CONTROL P.C.B.(48 KEY) (ROHS)	1
IC 1	002-06122-330	IC SC6122-001 (SILAN) SOP-24 (SMT) (ROHS)	1
Q1	003-24081-140	CHIP TRANSISTOR 2SC4081(RS)-TLB (ROHM) (ROHS)	1
	004-01122-600	INFRARED EMITTING DIODES EL-1L2 (ROHS)	1
R1	005-52109-301	CHIP RESISTOR 1 OHM +-5% (1608) (ROHS)	1
C2,3	006-72181-250	CERAMIC CHIP CAP 180 PF +-5% 50V (1608) (ROHS) NPO	2
C1	009-10476C510	ELECT CAP 47 UF +80% -20% 10V (ROHS) (PIN LENGTH 9MM)	1
X1	028-00455-011	CERAMIC FILTER ZTB455E (MEC) (2 PINS) (ROHS)	1
	041-04051-002	N405 HANDSET BATTERY PLATE (+) (ROHS)	1
	041-04052-002	N405 HANDSET BATTERY SPRING (-) (ROHS)	1
	104-04050-0956	N405M H/S BOTTOM CAB. (L.GREY MN7-0) (ROHS)	1
	111-04050-0956	N405M H/S BATTERY DOOR (L.GREY MN7-0) (ROHS)	1
	125-04050-001	N405M H/S MEMBRANE SW.P.;ROHS W/RED 032C SIL.8001C/GN.375C 2X/SIL.GY 8403C/WH.SK.	1
	125-04052-003	T409 BATTERY INSULATION PLATE(PC CUT SHEET T=0.1MM) (ROHS)	1
TOP HANDSET	144-11405-402	SCREW 1.4 X 5 KB	7

Ref. No	Parts No.	Description	QTY
	M452-CAR-ADAPTOR-04	(D=2.5MM) ;ROHS R556MB CAR ADAPTOR ASSY (ROHS) (OUTPUT DC 12V,1.2A;W/MADE IN CHINA)	1
	001-35000-400	3500MC CAR BAT SUPPLY P.C.B.(ROHS)	1
D1-4	004-05401-300	RECTIFIER IN-5401 (ROHS)	4
R1	005-10152-314	RESISTOR 1.5 K +-5% 1/4W (ROHS)	1
C1	006-10203-550	CERAMIC CAP 0.02 UF +80% -20% 50V (ROHS)	1
C2	009-10107-525	ELECT CAP 100 UF +80% -20% 25V (ROHS)	1
D10	019-12000-110	L.E.D. DIAMETER 3MM(RED) SEL-2110R (ROHS)	1
	031-02600-040-001	JUMPER WIRE AWG22UL 60MM RED (ROHS)	1
	031-10500-100-001	JUMPER WIRE AWG22UL 50MM BLACK(ONE SIDE 4MM,ONE SIDE 10MM) (ROHS)	1
	043-20192-300	T409 DC CORD 75"#20 WH/BLK (2P)W/BUSHING &DC PLUG (Y001-D19102C458505Q)(Y.C.) (ROHS)	1
	050-05020-201	2A/250V GLASS FUSE 5X20 FAST ACTING;ROHS BUSSMANN/S500 UR/VDE/SEMKO/IMQ/BSI APP.	1
	101-97030-010	9703 CAR ADAPTOR FRONT CABINET (BLACK) (ROHS)	1
	102-97030-010	9703 CAR ADAPTOR REAR CABINET (BLACK) (ROHS)	1
	105-97030-010	9703 CAR ADAPTOR CAP (BLACK) (ROHS)	1
	133-97031-311	GT9839 (9703) CAR ADAPTOR SPRING PLATE T=1.0MM (ROHS)	1
	133-97035-304	9703 CAR ADAPTOR SPRING T=0.4MM (ROHS)	1
	133-97036-352	9703 CAR ADAPTOR PLUG (GENERAL TECHNIC) (ROHS)	1

PARTS LIST

Ref. No	Parts No.	Description	QTY	
FOR CAR ADAPTOR FRONT CABINET 20MM X 1(D5)	144-12608-111	SCREW 2.6 X 8 RT (BLACK) (ROHS)	4	
	202-10005-002	TINNED CCS WIRE (DIA. 0.5MM);ROHS (TIN PLATE WIRE W/STEEL)	0.0000 65	
FOR LCD GROUNDING	M519M- CASING-02	M519M CASING ASSY (W/049- 00706-007) (ROHS)	1	
	029-02808-202- 001	28MM SPEAKER 8 OHM NOR.:0.5W;MAX.:1W BLK CLOTH ON BACK (SMDC NO.:DS28-39) (ROHS)	2	
	039-30005-000	SOLIDING LUG 5.5MM (DIA. 1.7MM);ROHS	1	
	041-04621-002	M462 BATTERY CONTACT PLATE (+);ROHS	1	
	041-04622-002	M462 BATTERY CONTACT PLATE (-);ROHS	1	
	041-04623-002	M462 BATTERY PLATE SPRING (+/-);ROHS	2	
	049-00706-009	TFT DISPLAY AT070TN07 V.A (INNOLUX);ROHS (7" TFT-LCD MODULE W/O LED DRIVER BD.)	1	
	129-04629-010	M462 BATTERY CONTACT BRACKET (L) (BLACK/POM);ROHS	1	
	129-04629-110	M462 BATTERY CONTACT BRACKET (R) (BLACK/POM);ROHS	1	
	129-04629-210	M462 DISC DOOR OPEN SWTICH ADAPTOR (BLACK/POM);ROHS	1	
	130-04624-110	M462 DISPLAY ADAPTOR RING (BLACK/POM) (ROHS)	1	
	133-04099-302	T409 HOOK SPRING(ROHS)	1	
	133-04621-115	M462 METAL PLATE (D) (IRON) (T=1.5 MM) (ROHS)	1	
	133-04623-115	M462 METAL BRACKET (A) (IRON) (T=1.5 MM) (ROHS)	1	
		133-04623-125	M462 METAL BRACKET (B) (IRON) (T=1.5 MM) (ROHS)	1
	FOR CD DOOR SW. X 1	133-04624-306	M462 SW. SPRING (ROHS)	2

Ref. No	Parts No.	Description	QTY
FOR TFT SW. X 1			
	133-04625-360	M462 METAL PIN(A) (STEEL)(DIA.=6 MM) (ROHS)	1
FOR BATTERY LOCK	133-04626-103	M462 METAL PLATE (A) (IRON) (T=0.3 MM) (ROHS)	1
FOR BOTTOM CAB.	133-04629-305	M462 BATTERY PLATE SPRING FOR BOTTOM CAB. (ROHS)	2
FOR MAIN P.C.B. GROUNDING X 1	133-04629-303	M462 P.C.B. SPRING (B) (STEEL T=0.3)MM(ROHS)	2
FOR CONTROL P.C.B. GROUNDING X 1			
FOR P.C.B. GROUNDING	133-04629-305- 002	M462 P.C.B. SPRING (A) (STEEL) (DIA.=0.5) (ROHS)	1
	133-05189-305- 001	M518M DOOR BRACKET SPRING (DIA.=0.5MM) (ROHS)	1
	133-05589-306	R558 CD DOOR SPRING (T=0.6MM) (STEEL) (ROHS)	1
FOR BOTTOM CAB.	136-10015-480	RUBBER FOOT (DIA.4.8X1.5) MM W/ONE SIDE TAPE (ROHS)	1
FOR BOTTOM CAB.	136-10020-480	RUBBER FOOT (DIA.4.8X2)MM W/ONE SIDE TAPE (ROHS)	1
FOR BOTTOM BATTERY CAB. USE	136-10510-050	RUBBER 5 X 5 X 1MM (W/ONE SIDE TAPE) (ROHS)	2
FOR BATTERY USE	136-10530-100	RUBBER 10 X 5 X 3MM (W/ONE SIDE TAPE) (ROHS)	4
FOR 7" TFT USE	136-10540-100	RUBBER (10*5*4)MM W/ONE SIDE TAPE (ROHS)	2
FOR BATTERY SET	136-11501-200	RUBBER 20 X 15 X 1.5MM (W/ONE SIDE TAPE) (ROHS)	4
FOR BATTERY SET	136-21060-120	RUBBER 6 X 10 X 12MM (W/TWO SIDE TAPE) (ROHS)	1
FOR 24P FLAT WIRE ON LOADER	136-21503-200	RUBBER 15 X 2.5 X 20MM(W/TWO SIDE TAPE) (ROHS)	1
FOR TFT FRONT CAB.	136-80020-040	PANEL RUBBER FOOT (DIA.3.6X2.2)MM (GREY) (ROHS)	2
	138-04624-010	M462 DISC DOOR HOOK (BLACK/POM);ROHS	1
FOR TFT FRONT CAB.	144-11405-201	SCREW 1.4X5 TB SILVER;ROHS	2
	144-11706-402	SCREW 1.7X6 KB;ROHS	12

Ref. No	Parts No.	Description	QTY
FOR BATTERY CAB.	144-11706-412	SCREW 1.7X6 KB (BLACK) ;ROHS	3
FOR TFT SPRING USE	144-12004-511	SCREW 2X4 CWB (BLACK) HARDEN (D=5MM T=0.5MM) (E6D8011-0) ;ROHS	2
FOR DOOR BRACKET	144-12006-300	SCREW 2*6 PWT (A);ROHS	1
FOR HINGE SHAFT	144-12606-111	SCREW 2.6X6 RT (BLACK) ;ROHS	1
FOR DISPLAY	144-21702-201	SCREW 1.7X2 BM;ROHS	1
	144-52005-122	SCREW 2X5 STR (TB) SILVER;ROHS	6
FOR BOTTOM CAB.	144-52008-112	SCREW 2X8 STR (TB) BLACK;ROHS	10
FOR BOTTOM CAB.	144-52010-112	SCREW 2*10 STR (TB) BLACK (SFBPN20100SM) (ROHS)	2
	145-24620-000	M462 METAL WASHER (A) (IRON) (T=1.0 MM) (ROHS)	7
FOR TFT FRONT CAB.	146-50409-001	T409 MAGNET (NDFEB) 20X3.5X5MM "SMD" (ROHS)	2
	X 1		
FOR TOP CAB.	X 1		
	R519MB-C-0410	R519MB DVD "SUNSTECH" COSMETIC ASSY SPRAY SIL.SS9- 1/MATT.BLACK (ROHS)	1
	103-05181-002	R519MB TOP CAB.(INJ.GY.MN7- 0/ABS) (SP.SIL SS9-1) W/D.GY.433C/ ENTER SK.(W/O USB)ROHS	1
	104-04622-004	M452MB BOTTOM CAB (INJ.BK./ABS)A/V IN/OUT SP.MATT.BLK;W/SIL.877C;W/O USB CORE;ROHS	1
	108-04622-0410	M526 INNER P."SUNSTECH" (INJ.L.GY.MN7-0) SP.SIL.SS9- 1/MATT.BK;W/D.GY.426C SK;ROHS	1
	108-05180-0410	R519MB OUTER P."SUNSTECH" (SP.SIL.SS9-1) (INJ.GY. MN7- 0/ABS) W/D.GY.433C SK. ROHS	1
	113-05180-005	R519MB DVD DOOR (INJ.GREY/ABS#PA-777D) (SP.SIL.SS9-1) W/D.GY.433C SK.(ROHS)	1

Ref. No	Parts No.	Description	QTY
	117-04620-0931	M462 SENSOR LENS(SEMI- TRANS.WHITE/PMMA);ROHS	1
	117-04621-0931	M462 LED LENS (SEMI- TRANS.WHITE/PMMA) (ROHS)	1
	130-04624-1887	M518MB DISPLAY SWITCH ADAPTOR(L.GREY MNC7- 0/POM);ROHS	1
FOR FRONT CAB. X 2	144-12005-401	SCREW 2X5 KT;ROHS	4
FOR CD DOOR BRACKET X 2			
FOR BOTTOM CAB. * 2	144-12005-411	SCREW 2X5 KT (BLACK) ;ROHS	4
FOR METAL PLATE * 1			
FOR TFT RING * 1			
	180-04624-010	M462 METAL BOTTOM CABINET (BLACK) ;ROHS	1
	R519MB-P-0410	R519MB DVD "SUNSTECH PLF- 77" PACKING TO GERMANY (ROHS)	1
	043-26102-541	1P RCA CABLE #26UL 1M (2 SIDE RCA PLUG) YELLOW (Y001- D100U182549B) (YIP CHUN) (ROHS)	1
	043-26102-542	2P RCA CABLE #26UL 1M (2P SIDE RCA PLUG) WHITE/RED (Y001-D10025622637A49B) (Y.C.) (ROHS)	1
FOR BATTERY BOTTOM	136-70010-100	RUBBER FOOT (DIA.10X1)MM NITTO 500 TAPE MATERIAL: PORON #HH48C (ROHS)	4
	998-00000-093	BATTERY CR2025 3V (YUFENG);(ROHS)	1
	R572M-DVD- LOADER	R572M LOADER (SONY KHM313AHC) SUBASS'Y	1
MAIN PCB (J1) TO LOADER	025-10006-149	6P J.WIRE #30UL 100MM (2P 2MM) JST;ROHS	1
	037-45251-245	24P FILM CABLE 5+250+5 UL (P=0.5MM) (ROHS)	1
FOR LOADER	145-69912-100	PVC WASHER W/HOLE (L=9MM W=6.5MM T=1MM DIA.=3.3MM) (ROHS)	2

Ref. No	Parts No.	Description	QTY
	160-00313-001	DVD MECHANISM SONY KHM313AHC (ROHS) (SLIM TYPE/BALL CLAW)	1
	161-03102-001	KHM-310 INSULATOR (IIR,HARDNESS=40 DEG) (SILICON RUBBER) ;ROHS	4
	M462MB-BATT-ASSY-01	M462MB DVD BATTERY PACK CHASSIS ASSY (W/998-00000-085) ROHS	1
	103-04620-040	M462 BATTERY CASE TOP (BLK./ABS) (SP.MATT.BLK.) ;ROHS	6
	104-04620-040	M462 BATTERY CASE BOTTOM (BLK./ABS) (SP.MATT.BLK.) ;ROHS	1
	130-04628-040	M462 BATTERY LOCKER (BLK./ABS) (SP.MATT.BLK.) ;ROHS	3
	133-04629-306-001	M462 BATTERY HOOK SPRING (BLACK/STEEL) (DIA.=0.6MM) (ROHS)	1
FOR BATTERY CAB.	144-11704-101	SCREW 1.7X4 RT;ROHS	2
FOR CONT. PCB	144-11704-411	SCREW 1.7X4 KT (BLACK) ;ROHS	5
FOR BATTERY CAB. X 5	144-52005-112	SCREW 2X5 STR (TB) BLACK (SFBPN205R0SM) (ROHS)	16
FOR BOTTOM CAB. X 9			
FOR OPEN KNOB BKT. X 2			
	998-00000-085	EPT NI-MH RECH. BATT. 7.2V 1500MAH(ROHS) EPT-50AA150H6S;2P 200MM WIRE (RED/BLK)	2
	R519MB-SIL-KNOB	R519MB SILVER KNOB VERSION ASSY(ROHS)	1
	127-04625-1974	R519MB POWER KNOB (SP.SIL.SS9-1/ABS) (ROHS)	1
	127-04627-1974	R519MB PANEL OPEN KNOB (SP.SIL.SS9-1/ABS) (ROHS)	1
	128-05180-0974	R519MB BUTTON 'A' (LEFT/RIGHT) (ROHS) (SP.SIL.SS9-1)	1

Ref. No	Parts No.	Description	QTY
	128-05181-0974	R519MB BUTTON 'B' (UP/DOWN) (ROHS) (SP.SIL.SS9-1)	1
	128-05182-0974	R519MB BUTTON 'C'(SETUP/DIS./TITLE/MENU) (SP.SIL.SS9-1) (ROHS)	1
	128-05183-0974	R519MB BUTTON 'D' (SKIP F.F./F.R.) (SP.SIL.SS9-1) (ROHS)	1
	128-05184-0974	R519MB BUTTON 'E' (STOP/PAUSE) (SP.SIL.SS9-1) (ROHS)	1
	128-05185-0974	R519MB BUTTON 'F' (PLAY) (SP.SIL.SS9-1) (ROHS)	1
	128-05189-0974	R519MB DISC.OPEN BUTTON (SP.SIL.SS9-1) (ROHS)	1
	129-05180-000	M518 DOOR BRACKET;ROHS	2
	129-05189-000	M518 DISC DOOR OPEN BRACKET;ROHS	1
	MI-R519MB-001	R519MB (MI) DVD MAIN/CONT.BD.ASSY (ROHS) (1389QE/D+KHM313AHC+8M RAM)W/LINE SELECT	1
	MI-04520-100-10	R519MB(MI)DVD MAIN BD.CHASSIS ASSY ROHS (1389QE/D+KHM313AHC+8M RAM)W/LINE SELECT	1
Q16	003-08050-393	TRANSISTOR 8050C (KEC)(ROHS)	1
CE5,19	009-10477-510	ELECT CAP 470 UF +80%-20% 10V (ROHS)	2
CE4,6,9,14,16,17,28,71	009-30106-425	ELECT CAP 10 UF +20% 25V (SS 4X7) (ROHS)	8
CE2,3,7,21,26,27,47,61,63,87,285,286,289,290	009-30107-410	ELECT CAP 100 UF +20% 10V (SS 5X7) (ROHS)	14
CE1,8,10,12,46,88	009-30107-416	ELECT CAP 100UF +20% 16V (SS 6.3X7) (ROHS)	6
CE38,41,45	009-30227-410	ELECT CAP 220 UF +20% 10V (SS 6.3X7) (ROHS)	3
CE52,57	009-30475-450	ELECT CAP 4.7 UF +20% 50V (SS 4X7) (ROHS)	2
CE15,102,104,106,124,125,145,146,170	009-30476-410	ELECT CAP 47 UF +20% 10V (SS 4X7) (ROHS)	9

Ref. No	Parts No.	Description	QTY
CE20,22,25,43	009-69107-406	ELECT CAP 100 UF +-20% 6.3V (SM 5X5) (ROHS)	4
VOL1	010-20103-161	ROTARY VOL. R1016G21B1-A10K (DOUBLE) 10KA (SAME PROPIT) (ROHS)	1
L20,21,22,24,25,26,30,31	015-00003-101	CHOCK COIL 2 3/4 T NO.:R0157-CB33-858688(ROHS)	8
L1,3	015-00150-106	CHOKO COIL 15 UH DIA.6 (RADIAL TYPE) (CW65-150K) (ZHONGSHAN) (ROHS)	2
L35	015-00220-306	CHOKO COIL 22 UH DIA.6 (RADIAL TYPE) (CW65-220K) (ZHONGSHAN) (ROHS)	1
L23	015-00331-106	CHOCK COIL 330 UH (CW45-331K) (RADIAL TYPE) ;ROHS	1
L2,7	015-00470-106	CHOKO COIL 47 UH DIA.6 (RADIAL TYPE) (CW65-470K) (ZHONGSHAN) ;ROHS	2
D15	019-12000-304	LED 3MM (RED) 304H (EVER CHANNEL) (ROHS)	1
D17,22	019-15000-340	L.E.D. DIAMETER 3MM (GREEN) L-34GDLK KINGBRIGHT(ROHS)	2
SW1	020-12203-105	SWITCH SK-22D03-V-G3 (SEIKO) ;ROHS	1
S4	020-14204-112	SWITCH SK-42D01EG4 (SEE-PLUS) ;ROHS	1
S1,5	020-31100-061	DETECTOR SWITCH SPPB512300 (ALPS) ;ROHS	2
J1	021-23505-101	STEREO JACK EJS-3-0935B (DAIICHI) BLACK(ROHS)	1
J3	021-23505-106	STEREO JACK ST-35072-02 (SEE-PLUS) BLACK(ROHS)	1
J8	021-23505-107	ST.P/H JACK ST-3531HW (WHITE) (5 PINS) (SEE-PLUS) (ROHS)	1
J6	021-23506-105	STEREO JACK ST-3531HY (SEE-PLUS) YELLOW(ROHS)	1
JK1	021-34503-101	DC JACK 3PINS (DC-014) SEIKO(ROHS)	1
MAIN PCB (CON3) TO	025-10003-148	3P #32UL D.SHIELD WIRE 220MM	1

Ref. No	Parts No.	Description	QTY
TFT PCB (YC)		(2P 1.25MM) JS-1146-03*2 (KARSON 920-333-00) (ROHS)	
MAIN PCB (J4) TO J5	025-10006-155	6P #28UL J.WIRE 150MM (2P 1.5MM) JST (WHITE) (ROHS)	1
MAIN PCB (CON1) TO TFT PCB (XS03)	025-10016-009	16P UL J.WIRE #32*16 230MM (2P 1MM) JST SHR-16V-S-B*2 (HOUSING +/-)(ROHS)	1
J102	025-20006-102	6P WAFER H-TYPE (2MM PITCH) JST(ROHS)	1
J5	025-20006-108	6P WAFER H-TYPE (1.5MM PITCH) JST(ROHS)	1
J4	025-20006-208	6P WAFER V-TYPE (1.5MM PITCH) W150V06T00(ROHS)	1
BATT.PLATE SPRING(+) TO MAIN BD.BATT(+)	031-02151-040-001	JUMPER WIRE AWG22UL 150MM RED(ROHS)	1
BATT.PLATE SPRING(-) TO MAIN BD BATT(-)	031-10241-040-001	JUMPER WIRE AWG22UL 240MM BLACK(ROHS)	1
FOR 7" DISPLAY	031-10500-100-001	JUMPER WIRE AWG22UL 50MM BLACK(ONE SIDE 4MM,ONE SIDE 10MM) (ROHS)	1
DISPLAY PCB (R+) TO R-SPEAKER (+)	033-03700-030-001	JUMPER WIRE AWG28UL 70MM ORANGE (ROHS)	1
DISPLAY PCB (L+) TO SPEAKER (+)	033-04700-030-001	JUMPER WIRE AWG28UL 70MM YELLOW (ROHS)	1
DISPLAY PCB (L-/R-) TO SPEAKER (-)	033-10700-030-001	JUMPER WIRE AWG28UL 70MM BLACK (ROHS)	2
5MM * 1 (CE22)	040-20001-001	UL TUBE (DIA. 1.07)MM (ROHS)	0.005
7MM * 3 (D15,17,22)	040-61520-000	INSULATION TUBE LL1.5MM GRADE-2 (ROHS)	0.021
Y101	052-27000-007	CRYSTAL:27 MHZ HC49S-27MZ2215F (MEC) (2 PINS) +-15 PPM FUNDAMENTAL (ROHS)	1
J2	061-06038-001	INFRARED REMOTE DETECTOR FM-6038LM (ROHS)	1
	MI-05180-700	M518MB (MI) DVD CONT.BD. CHASSIS ASSY	1
	001-05180-700	M518MB CONTROL P.C.B. (T=1MM) (138*35)MM (ROHS)	1
CONTOR PCB (CN701)	025-10008-090	8P F.WIRE #28UL/2561 120MM (1P 1.27MM) JS-1146-08 (KARSON	1

Ref. No	Parts No.	Description	QTY	
CE15,16,17,18 FOR TFT DRIVER BD. J5 X1	048-10006-002	920-336-00) ;ROHS 6MM CONNECTION PLATE (200G) (W/LEAD) (ROHS)	14	
	MI-10550-710-01	R519MB (MI) TFT DRIVER BD.CHASSIS ASSY ROHS	1	
	009-30106-425	ELECT CAP 10 UF +-20% 25V (SS 4X7) (ROHS)	4	
	025-10003-180	3P J.WIRE #28UL 60MM (2P 1.25MM) JST(RED/WHITE/BLACK) (ROHS)	1	
	052-20000-001	CRYSTAL: 20MHZ AT-49 TYPE (EMC) +-50PPM;ROHS	1	
	SMT-R519MB-001	R519MB (SMT) DVD MAIN/DRIVER BD. (ROHS) (1389QE/D+KHM313AHC+8M RAM)W/LINE SELECT	1	
	SMT-04520-100-10	R519MB(SMT)DVD MAIN BD.CHASSIS ASSY ROHS (1389QE/D+KHM313AHC+8M RAM)W/LINE SELECT	1	
	001-04520-100	M452MB MAIN/PWR P.C.B. (FR4) (T=1MM) (113*146)MM (R.4) (ROHS)	1	
	U10	002-00393-110	IC LM393DR (T.I.) SMT SOP08;ROHS	1
	U1	002-01102-001-170	IC RP1102-33CGL(RICH POWER) 3.3V/500MA SOT-223 (L- TYPE)SMT;ROHS	1
U13	002-01380-000-101	IC AT1380HP (AIMTRON) SMT TSSOP8;ROHS	1	
U1101 U6	002-01389-857	IC MT1389QE/D (MEDIATEK) LQFP-216 (SMT) (2 CH/WMA/DTS PASS THROUGH);ROHS	1	
U3	002-02073-180	IC NJM2073M (JRC) ;ROHS	1	
U12	002-02402-451	IC AT24C02A-10SC-207 (SO-8) (ATMEL) (EEPROM) (ROHS)	1	
U5	002-02964-001-163	IC LS2964S (LINKAS) SOP-8 (SMT) NIMH BATTERY CHARGER CONTROLLER	1	

Ref. No	Parts No.	Description	QTY
U6	002-04558-110	IC(ROHS) IC RC4558D (T.I.) (SOP08) SMT(ROHS)	1
U102	002-05654-101	IC AT5654H (AIMTRON) (SMT) (ROHS)	1
U2,4	002-09141-001-167	IC MP9141ES-LF-Z (MPS) SOIC8 SMT 1.8A STEP-DOWN DC TO DC CONVERTER (ROHS)	2
U9	002-46416-061	IC K4S641632H-UC75 TSOP-54 (SAMSUNG) 64M SDRAM IC (133MHZ) (ROHS)	1
U11	002-49802-451	IC AT49BV802AT-70TU (ATMEL) (TSOP48) SMT 8M FLASH MEMORY IC (PB/HALIDE-FREE) (ROHS)	1
Q7,13,15,22	003-20323-140	CHIP TRANSISTOR DTC323TU (UMT3) ROHM(ROHS)	4
Q30,104,105	003-21132-149	CHIP TRANSISTOR 2SB1132R (MPT3) (ROHM) (ROHS)	3
Q102,103	003-23018-140	CHIP TRANSISTOR 2SK3018,SOT- 23 (ROHM) (ROHS)	2
Q17	003-23065-140	CHIP TRANSISTOR 2SK3065 (ROHM) SMALL SWITCHING (60V,2A) (ROHS)	1
Q4	003-23400-001-137	CHIP TRANSISTOR AO3400 (ALPHA & OMEGA) SOT- 23(ROHS)	1
Q2	003-23401-001-137	CHIP TRANSISTOR AO3401 (ALPHA & OMEGA) SOT- 23(ROHS)	1
Q1,3,5,6,10,11,18,23,24,26 32,101	003-23904-114	CHIP TRANSISTOR NPN FMMT3904 (HSMC) (ROHS)	12
Q8,9,12,14,19,20,21,25,33	003-23906-001-114	CHIP TRANSISTOR PNP FMMT3906 (HSMC) (ROHS)	9
D3	004-80051-401	SW.DIODES RB051L-40 (ROHM) SMT(ROHS)	1
Z5	004-80056-215	ZENER DIODE UDZ5.6B (ROHM) 5.6V 0.2W SMT(ROHS)	1
Z6	004-80075-215	ZENER DIDOE UDZ7.5B (ROHM) 7.5V 0.2W SMT(ROHS)	1

Ref. No	Parts No.	Description	QTY
Z1	004-80091-215	ZENER DIODE UDZS9.1B-TRB (ROHM)9.1V 0.2W UDZ-STE179.1B (SMT) (ROHS)	1
Z3	004-80110-215	ZENER DIODE UDZS11B-TRB (ROHM) 11V 0.2W SMT (ROHS)	1
Z2	004-80130-215	ZENER DIODE UDZS13B-TRB (ROHM) 13V 0.2W SMT(ROHS)	1
D2	004-80154-400	SW. DIODE 1SR154-400-TRB (ROHM) SMT(ROHS)	1
D4,11,13	004-80160-401	SCHOTTKY DIODE RB160L-60 (ROHM) SMT(ROHS)	3
D9,21	004-80202-400	SW. DIODE DAN202K (ROHM) SMT (SMD3) SC-59 (DAN202K-TLB) (ROHS)	2
D19,23	004-80202-401	SW. DIODE DAP202U (ROHM) SMT (UMD3) SC-70 (ROHS)	2
D5,6,8,10,20	004-80217-400	DIODE DAN217 (ROHM) SMT(ROHS)	5
D12,18,27,R257	004-80355-400	SW. DIODE 1SS355-TRB (ROHM) SMT(ROHS)	4
D1	004-80520-401	SW. DIODES RB520S-30 (ROHM) SMT(ROHS)	1
R5	005-50471-301	CHIP RESISTOR 470 OHM (2012) (MCR10EZHZJ471) (ROHS)	1
R16,31,91,94,140,141,147,148,L5,10,D7	005-52000-301	CHIP RESISTOR 0 OHM +-5% (1608) (ROHS)	11
R17,74,100,102,164	005-52100-301	CHIP RESISTOR 10 OHM +-5% (1608) (ROHS)	5
R44,63,64,65,86,87,114,178,179,214, 220	005-52101-301	CHIP RESISTOR 100 OHM +-5% (1608) (ROHS)	11
R24,41,48,71,82,109,152,162,16,222	005-52102-301	CHIP RESISTOR 1 K +-5% (1608) (ROHS)	10
R11,12,26,35,36,37,39,46,68,69,73, 76,77,78,79,80,88,93,112,123,124,133,139,167,169,170,173,175,215,217,221,289	005-52103-301	CHIP RESISTOR 10 K +-5% (1608) (ROHS)	32
R10,106,110,113,132,165,168,226,229	005-52104-301	CHIP RESISTOR 100 K +-5% (1608) (ROHS)	9

Ref. No	Parts No.	Description	QTY
R50,118,119,120,121,130	005-52109-301	CHIP RESISTOR 1 OHM +-5% (1608) (ROHS)	6
R21,97,98,99,107	005-52121-301	CHIP RESISTOR 120 OHM +-5% (1608) (ROHS)	5
R224,240	005-52122-301	CHIP RESISTOR 1.2K +-5% (1608) (ROHS)	2
R38,85	005-52151-301	CHIP RESISTOR 150 OHM +-5% (1608) (ROHS)	2
R134,136,138	005-52153-301	CHIP RESISTOR 15 K +-5% (1608) (ROHS)	3
R128,131	005-52154-301	CHIP RESISTOR 150 K +-5% (1608) (ROHS)	2
R70	005-52182-301	CHIP RESISTOR 1.8 K +-5% (1608) (ROHS)	1
R137,184	005-52183-301	CHIP RESISTOR 18 K +-5% (1608) (ROHS)	2
R225,228	005-52184-301	CHIP RESISTOR 180 K +-5% (1608) (ROHS)	2
R52	005-52201-301	CHIP RESISTOR 200 OHM +-5% (1608) (ROHS)	1
R19,103,185	005-52202-301	CHIP RESISTOR 2 K +-5% (1608) (MCR03EZHZJ202) (ROHS)	3
R9,122,125,126	005-52203-301	CHIP RESISTOR 20 K +-5% (1608) (ROHS)	4
R115	005-52220-301	CHIP RESISTOR 22 OHM +-5% (1608) (ROHS)	1
R24,25	005-52221-301	CHIP RESISTOR 220 OHM +-5% (1608) (MCR03EZHZJ221) (ROHS)	2
R22,67,84,183	005-52222-301	CHIP RESISTOR 2.2 K +-5% (1608) (ROHS)	4
R28,75	005-52302-301	CHIP RESISTOR 3 K +-5% (1608) (MCH03EZHZJ302) (ROHS)	2
R30,162	005-52303-301	CHIP RESISTOR 30 K +-5% (1608) (ROHS)	2
R32,33,45	005-52330-301	CHIP RESISTOR 33 OHM +-5% (1608) (ROHS)	3
R155	005-52332-301	CHIP RESISTOR 3.3 K +-5% (1608) (MCR03EZHZJ332) (ROHS)	1
R27	005-52334-301	CHIP RESISTOR 330 K +-5% (1608) (MCR03EZHZJ334) (ROHS)	1

Ref. No	Parts No.	Description	QTY
R81	005-52391-301	CHIP RESISTOR 390 OHM +-5% (1608) (ROHS)	1
R40	005-52392-301	CHIP RESISTOR 3.9 K +-5% (1608) (ROHS)	1
R236,242	005-52393-301	CHIP RESISTOR 39 K +-5% (1608) (MCR03EZHZJ393) (ROHS)	2
R186	005-52470-301	CHIP RESISTOR 47 OHM +-5% (1608) (ROHS)	1
R9,103,139,163	005-52471-301	CHIP RESISTOR 470 OHM +-5% (1608) (ROHS)	4
R13,20,23,49,53,89,108, 166	005-52472-301	CHIP RESISTOR 4.7 K +-5% (1608) (ROHS)	8
R7,8,14,15,29,61,62,95, 151,182	005-52473-301	CHIP RESISTOR 47 K +-5% (1608) (ROHS)	10
R18,116,117,161,211,213,238	005-52479-301	CHIP RESISTOR 4.7 OHM +-5% (1608) (ROHS)	7
R227,230,231,232	005-52512-301	CHIP RESISTOR 5.1 K +-5% (1608) (ROHS)	4
R83	005-52513-301	CHIP RESISTOR 51K +-5% (1608) (ROHS)	1
R105	005-52561-301	CHIP RESISTOR 560 OHM +-5% (1608) (ROHS)	1
R6,72	005-52562-301	CHIP RESISTOR 5.6K +-5% (1608) (ROHS)	2
R272	005-52564-301	CHIP RESISTOR 560 K +-5% (1608) (ROHS)	1
R149	005-52622-301	CHIP RESISTOR 6.2K +-5% (1608) (ROHS)	1
R54,55,56,57,58,59,60,90,150	005-52680-301	CHIP RESISTOR 68 OHM +-5% (1608) (ROHS)	9
R233,299,340	005-52682-301	CHIP RESISTOR 6.8K +-5% (1608) (MCR03EZHZJ682) (ROHS)	3
R177,135	005-52684-301	CHIP RESISTOR 680 K +-5% (1608) (ROHS)	2
R1,2	005-52750-301	CHIP RESISTOR 75 OHM +-5% (1608) (ROHS)	2
R6	005-52752-301	CHIP RESISTOR 7.5 K +-5% (1608) (MCR03EZHZJ752) (ROHS)	1
R101	005-52754-301	CHIP RESISTOR 750 K +-5% (1608) (ROHS)	1

Ref. No	Parts No.	Description	QTY
R51	005-52821-301	CHIP RESISTOR 820 OHM +-5% (1608) (MCH03EZHZJ821) (ROHS)	1
R210,218,235	005-52822-301	CHIP RESISTOR 8.2 K +-5% (1608) (ROHS)	3
R234	005-52912-301	CHIP RESISTOR 9.1 K +-5% (1608) (ROHS)	1
RN1,2,3	005-53103-301	CHIP RESISTOR (MULTIPLE) 10 K +-5% (1608) X 4 (RCML08W103JB) ARRAY(ROHS)	3
R4	005-54278-301	CHIP RESISTOR 0.27 OHM +-5% (5025) (ROHS)	1
CB5,9,33	006-72100-250	CERAMIC CHIP CAP 10 PF +-5% 50V (1608) (ROHS) NPO	3
C72,237,255,CB6,10,32	006-72101-250	CERAMIC CHIP CAP 100 PF +-5% 50V (1608) (ROHS) NPO	6
C119	006-72102-350	CERAMIC CHIP CAP 0.001 UF +-10% 50V (1608) (ROHS) X7R	1
C10,32,48	006-72103-350	CERAMIC CHIP CAP 0.01 UF +-10% 50V(1608) (ROHS) X7R	3
C3,6,11,22,23,24,25,29,31,35, 39,40,47,51,62,64,65,67,82,101,103,105,108,110, 112, 114,115,116,118,121, 128,130,140,141,142,144, 147,162,165,167,169,190, 204,238,239,240,940, CB3,18,28,46,49,50,52,53,55, 56,60	006-72104-525	CERAMIC CHIP CAP 0.1 UF +-80% -20% 25V (1608) (ROHS) Y5V	58
C13,14,33,81,109,113,134,135,136,137,138, 202,208, 227,254	006-72105-410	CERAMIC CHIP CAP 1 UF +-20% 10V (1608) (ROHS) Y5V	15
C9,20	006-72105-416	CERAMIC CHIP CAP 1 UF +-20% 16V (1608) (ROHS) Y5V	2
C12,49,50,54,56,58,60	006-72105-435	CERAMIC CHIP CAP 1 UF +-20% 35V (1608) (ROHS) Y5V	7
C148,171	006-72151-250	CERAMIC CHIP CAP 150 PF +-5% 50V (1608) (ROHS) NPO	2
C127	006-72152-350	CERAMIC CHIP CAP 0.0015 UF +-10% 50V (1608) (ROHS) X7R	1
C166	006-72153-350	CERAMIC CHIP CAP 0.015 UF +-10% 50V (1608) (ROHS) X7R	1

Ref. No	Parts No.	Description	QTY
C120	006-72200-250	10% 50V (1608) (ROHS) X7R CERAMIC CHIP CAP 20 PF +-5%	1
CB7,11	006-72220-250	50V (1608) (ROHS) NPO CERAMIC CHIP CAP 22 PF +-5%	2
CB8,C19,21,26,27,28,30, 34,38,41,201,206	006-72221-250	50V (1608) (ROHS) NPO CERAMIC CHIP CAP 220 PF +-5%	12
C172,174	006-72222-350	50V (1608) (ROHS) NPO CERAMIC CHIP CAP 0.0022 UF +-10%	2
C111	006-72225-510	10% 50V (1608) (ROHS) X7R CERAMIC CHIP CAP 2.2 UF +80%-20%	1
C131,132	006-72270-250	10V (1608) (ROHS) Y5V CERAMIC CHIP CAP 27 PF +-5%	2
C5	006-72271-250	50V (1608) (ROHS) NPO CERAMIC CHIP CAP 270 PF +-5%	1
C43	006-72273-450	50V (1608) (ROHS) NPO CERAMIC CHIP CAP 0.027 UF +-20%	1
C163,164	006-72331-250	50V (1608) (ROHS) Y5V CERAMIC CHIP CAP 330 PF +-5%	2
C16,17	006-72332-350	50V (1608) (ROHS) NPO CERAMIC CHIP CAP 0.0033 UF +-10%	2
C117	006-72333-325	10% 50V(1608) (ROHS) X7R CERAMIC CHIP CAP 0.033 UF +-10%	1
C242,245	006-72334-525	25V(1608) (ROHS) X7R CERAMIC CHIP CAP 0.33 UF +80%-20%	2
C129	006-72391-250	25V(1608) (ROHS) Y5V CERAMIC CHIP CAP 390 PF +-5%	1
CB34	006-72470-250	50V(1608) (ROHS) NPO CERAMIC CHIP CAP 47 PF +-5%	1
C70,99,200	006-72472-350	50V(1608) (ROHS) NPO CERAMIC CHIP CAP 0.0047 UF +-10%	4
C36,122,123	006-72473-350	10% 50V(1608) (ROHS) X7R CERAMIC CHIP CAP 0.047 UF +-10%	3
C126	006-72682-350	10% 50V(1608) (ROHS) X7R CERAMIC CHIP CAP 0.0068 UF +-10%	1
L4,6,13	015-00018-901	10% 50V (1608) (ROHS) X7R CHIP INDUCTOR 1.8 UH (0805)	3
L16,102,103	015-00100-904	(COILS) CCSP0805FIR8J;ROHS CHIP INDUCTOR 10 UH (CCSP 0805F 10RJ) (COILS) ;ROHS	3

Ref. No	Parts No.	Description	QTY
J401	025-20016-503	16P HEADER D-TYPE WAFER (1MM PITCH) (NO:990-775-00) (ROHS)	1
CON1	025-23003-101	3P WAFER H-TYPE (1.25MM PITCH) KARSON 990-777-00 (SMT) (ROHS)	1
J402	025-23008-101	8P WAFER H-TYPE (1.25MM PITCH) KARSON 990-778-00 (SMT) (ROHS)	1
HA101	025-50024-205	24P ZIF CONN.V-TYPE (0.5MM PITCH) SMT (CF2024 IVORO) (ROHS)	1
L7,8,9,11,12,14,15,17,18, 19,27,28,29	027-01121-002	CHIP FERRITE BEAD BK2125HM121 (TAI) (ROHS)	13
F1	050-42410-201	2A/125V (SMT) FUSE (2410) SLOW BLOW BEL/TYP SST2 UL/CE/CSA(ROHS)	1
S3	065-00012-001	RELAY ME12-S-5 (5V) (MASSUSE) (ROHS)	1
	SMT-10550-710-01	R519MB (SMT) TFT DRIVER BD.CHASSIS ASSY (ROHS)	1
	001-10550-710	I1055 7" TFT DRIVER PCB (4 LAYER) (94V0) (121*23*1)MM (ROHS)(R.2)	1
U2	002-01102-001-170	IC RP1102-33CGL(RICH POWER) 3.3V/500MA SOT-223 (L- TYPE)SMT;ROHS	1
U1	002-01828-001-209	IC VX1828 (VXIS) 100-PIN LQFP (SMT)	1
U3	002-03414-180	IC NJM3414AM-TE1 (NJRC) (SMT);ROHS	1
Q1,2,3	003-23904-001-114	CHIP TRANSISTOR NPN FMMT3904 (HSMC) (ROHS)	3
R41,L4,5	005-52000-301	CHIP RESISTOR 0 OHM +-5% (1608) (ROHS)	3
R46	005-52102-301	CHIP RESISTOR 1 K +-5% (1608) (ROHS)	1
R2,45,47	005-52103-301	CHIP RESISTOR 10 K +-5% (1608) (ROHS)	3
R34,35,36	005-52104-301	CHIP RESISTOR 100 K +-5% (1608)	3

Ref. No	Parts No.	Description	QTY
R8	005-52105-301	(ROHS) CHIP RESISTOR 1 M +-5% (1608)	1
R38,44	005-52153-301	(MCR03EZHZ105) (ROHS) CHIP RESISTOR 15 K +-5% (1608)	2
R43	005-52201-301	(ROHS) CHIP RESISTOR 200 OHM +-5%	1
R18,23,28	005-52223-301	(1608) (ROHS) CHIP RESISTOR 22 K +-5% (1608)	3
R19,24,29	005-52271-301	(ROHS) CHIP RESISTOR 270 OHM +-5%	1
R39	005-52330-301	(1608) (ROHS) CHIP RESISTOR 33 OHM +-5%	1
R1,3,4,9,10,13,14,15,16,21,26,31	005-52331-301	(1608) (ROHS) CHIP RESISTOR 330 OHM +-5%	12
R32,33,37	005-52332-301	(1608) (ROHS) CHIP RESISTOR 3.3 K +-5% (1608)	3
R11,12	005-52622-301	(MCR03EZHZ332) (ROHS) CHIP RESISTOR 6.2K +-5% (1608)	2
R20,25,30	005-52683-301	(ROHS) CHIP RESISTOR 68 K +-5% (1608)	3
R6,7,17,22,27	005-52750-301	(MCR03EZHZ683) (ROHS) CHIP RESISTOR 75 OHM +-5%	5
C1,2,3,6,7,9,10,13,18,19,20,21,22,23, 25,26,28,29,30,31,32,33,34,35,36,37,38,39,40,42,44,46,47,48,49,50,51,52	006-72104-525	(1608) (ROHS) CERAMIC CHIP CAP 0.1 UF +80%-20% 25V(1608) (ROHS) Y5V	38
C4,5,8,12	006-72220-250	CERAMIC CHIP CAP 22 PF +-5%	4
C24	006-72330-250	50V (1608) (ROHS) NPO CERAMIC CHIP CAP 33 PF +-5%	1
C11,23	006-72473-350	50V (1608) (ROHS) NPO CERAMIC CHIP CAP 0.047 UF +-10% 50V(1608) (ROHS) X7R	1
C27	006-72820-250	CERAMIC CHIP CAP 82 PF +-5%	1
VR1	012-18473-101	50V (1608) (ROHS) NPO CHIP SEMI-FIXED EVM3Y-SX30-BQ4 B47KB (H-TYPE) (3 PINS)	1
L2	015-00100-904	(PANASONIC);ROHS CHIP INDUCTOR 10 UH (CCSP)	1

Ref. No	Parts No.	Description	QTY
J4	025-20016-503	0805F 10RJ) (COILS);ROHS 16P HEADER D-TYPE WAFER	1
J6	025-20026-102	(1MM PITCH) (NO:990-775-00) (ROHS) 26P CONNECTOR H-TYPE	1
J1,5	025-23003-101	SMT(0.5MM PITCH) W/FLIP LOOK (LOW CONTACT)(ROHS) 3P WAFER H-TYPE (1.25MM	2
L1,3,6,7,9,10,11	027-01121-002	PITCH) KARSON 990-777-00 (SMT) (ROHS) CHIP FERRITE BEAD	7
CE6,7,8,11,12,13,14	047-11106-410-E01	BK2125HM121 (TAI) (ROHS) TANTALUM CHIP CAP 10 UF +-20%	7
CE5,10	047-11107-406-K02	10V (ELAN) (SK6-1A106M-RC) (3.2X1.6X1.6/CASE A) ;ROHS	2
CE1,4,9	047-11476-406-K01	TANTALUM CHIP CAP 100UF +-20% 6.3V KEMET T491B107M006AS;3.5*2.8*1.9/CASE B;ROHS	3
U1	002-01522-001-167	TANTALUM CHIP CAP 47 UF +-20% 6.3V(ROHS) 3.2*1.6*1.6/CASE A;KEMET;T491A476M006AS SMT-76000-400 R600MB 7" INVERTER BOARD	1
D1	004-80051-402	CHASSIS ASSY(IC MP1522ET) R600 INVERTER P.C.B. (2 LAYER)	1
D2	004-80355-400	(FR4) (50*12*1)MM (ROHS) IC MP1522ET (MPS) SOT23-5	1
R5	005-52100-301	(SMT) 25V STEP-UP CONVERTER IC (ROHS)	1
R1	005-52104-301	CHIP SHOTTKY BARRIER DIODE RSX051VA -30(ROHM) ROHS	1
R4	005-52120-301	SW. DIODE 1SS355-TRB (ROHM) SMT (ROHS) CHIP RESISTOR 10 OHM +-5%	1
		(1608) (ROHS) CHIP RESISTOR 100 K +-5% (1608)	1
		(ROHS) CHIP RESISTOR 12 OHM +-5%	1
		(1608) (ROHS)	

Ref. No	Parts No.	Description	QTY
R7	005-52272-301	CHIP RESISTOR 2.7 K +-5% (1608) (MCR03EZHZJ272) (ROHS)	1
R2	005-52561-301	CHIP RESISTOR 560 OHM +-5% (1608) (ROHS)	1
R3	005-52562-301	CHIP RESISTOR 5.6K +-5% (1608) (ROHS)	1
L1	015-00150-901	CHIP INDUCTOR 15 UH (DRH4D28-150M) COILS(ROHS)	1
C1,5	006-72104-525	CERAMIC CHIP CAP 0.1 UF +80%- 20% 25V(1608) (ROHS) Y5V	2
L2	015-00220-910	CHIP INDUCTOR 22 UH (DRH4D28-220M) COILS (ROHS)	1
J2	025-20002-114	2P WAFER H-TYPE (3.5MM PITCH) JST (ROHS) 3502P0210T (LANDWIN)	1
J1	025-23003-101	3P WAFER H-TYPE (1.25MM PITCH) KARSON 990-777-00 (SMT) (ROHS)	1
L3	027-01121-002	CHIP FERRITE BEAD BK2125HM121 (TAI) (ROHS)	1
C2	047-11106-425	TANTALUM CHIP CAP 10 UF +- 20% 25V(6X3.2/CASE C);ROHS	1
C3	047-11475-425-E	TANTALUM CHIP CAP 4.7 UF +- 20% 25V(ELNA) (SK6-1E475M-RB) (3.4X2.8X1.9/CASE B);ROHS	1
C4	047-11476-416-E	TANTALUM CHIP CAP 47 UF +- 20% 16V (ELNA) (SK6-1C476M- RC)(6.0X3.2X2.5/CASE C);ROHS	1