



INSTRUCTIONS

-J05168

REV. 2011-09-22

BOOM! AUDIO IPOD INTERFACE MODULE KIT

GENERAL

Kit Number

76476-10

Models

For model fitment information, see the P&A retail catalog or the Parts and Accessories section of www.harley-davidson.com (English only).

Refer to the Boom! Audio iPod® Interface Module owner's manual for compatible iPod devices.

Installation Requirements

FLHT models will require prior installation of an Advanced Audio AM/FM/CD Radio Kit (Part No. 76412-06) and an AM/FM Antenna Kit (Part No. 76325-06 or 76317-06).

FLHT/C, FLHX, FLTR/X and FLHXXX models WITHOUT Non-Ultra Overlay Harness (Part No. 70169-06) installed will require separate purchase of a Connector Kit (Part No. 69200033).

If two modules are already installed on top of the radio:

For FLHT/C/U, FLHX and FLHTCUTG models, two Dual-Lock™ mounts (Part No. 76434-06) may be used to mount the iPod Interface Module across the tops of the two modules.

For FLTR and FLTRX models, the iPod Interface Module can be mounted on the inner fairing, right-side glove box inboard wall using either of these methods (see Figure 2):

- Use two Dual-Lock mounts (Part No. 76434-06) to attach the module directly to the side of the glove box.
- Use an acorn nut (Part No. 90844-80) to attach the module to an iPod mounting bracket (Part No. 83276-11).

Fasten two Dual-Lock mounts (Part No. 76434-06) to the underside of the mounting bracket.

Mount the bracket and module to the front of the glove box with a screw (Part No. 3658) and washer (Part No. 6716).

For ALL models: To install the iPod **inside the right-side saddlebag**, a BOOM! Audio Saddlebag iPod Mount Kit (Part No. 76000143) can be used.

All these items are available separately from a Harley-Davidson dealer.

WARNING

The rider's safety depends upon the correct installation of this kit. Use the appropriate service manual procedures. If the procedure is not within your capabilities or you do not have the correct tools, have a Harley-Davidson dealer perform the installation. Improper installation of this kit could result in death or serious injury. (00333a)

NOTE

This instruction sheet refers to service manual information. A service manual for this year/model motorcycle is required for this installation and is available from a Harley-Davidson dealer.

Electrical Overload

NOTICE

It is possible to overload your vehicle's charging system by adding too many electrical accessories. If the combined electrical accessories operating at any one time consume more electrical current than the vehicle's charging system can produce, the electrical consumption can discharge the battery and cause damage to the vehicle's electrical system. See an authorized Harley-Davidson dealer for advice about the amount of current consumed by additional electrical accessories or for necessary wiring changes. (00211c)

WARNING

When installing any electrical accessory, be certain not to exceed the maximum amperage rating of the fuse or circuit breaker protecting the affected circuit being modified. Exceeding the maximum amperage can lead to electrical failures, which could result in death or serious injury. (00310a)

The iPod® Interface Module requires up to **400 milliamps** additional current from the electrical system.

Kit Contents

See Figure 4 and Table 1.

PREPARATION

NOTE

For vehicles equipped with security siren:

- **2007 and later:** Verify that the Hands-Free Fob is present.
- **2006:** Disarm the siren with the key fob.
- **ALL vehicles:** Turn the ignition key switch to **IGNITION**.

⚠ WARNING

To prevent accidental vehicle start-up, which could cause death or serious injury, remove main fuse before proceeding. (00251b)

1. See the service manual and remove the main fuse
2. Remove the outer fairing and windshield per the service manual.

STANDARD INSTALLATION

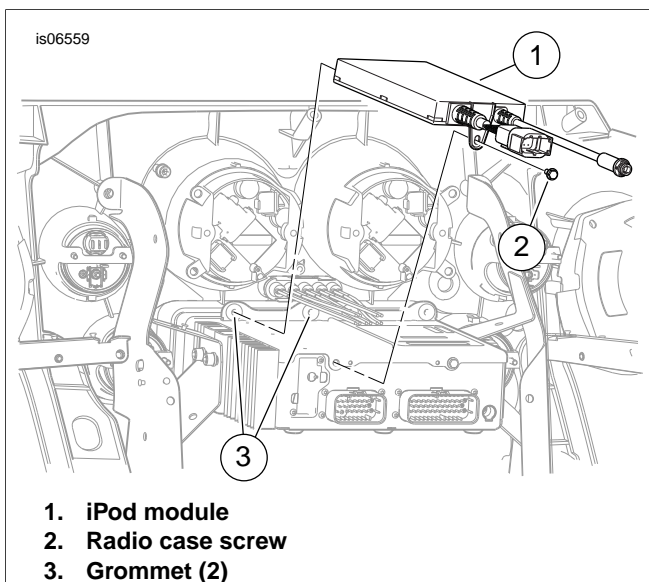
NOTE

For optional installation methods, refer to **Installation Requirements** earlier in these instructions.

1. See Figure 1. Locate the iPod module (1) on top of the AM-FM radio case:
 - a. Remove the screw (2) at the back of the radio.
 - b. Position the iPod module on top of the AM-FM radio, with the metal cones on one end of the module fitting firmly into the leftmost rubber grommets (3) at the front of the radio.
 - c. Fasten the module to the radio with the radio case screw (2). Tighten to 35-45 **in-lbs** (4.0-5.1 Nm).

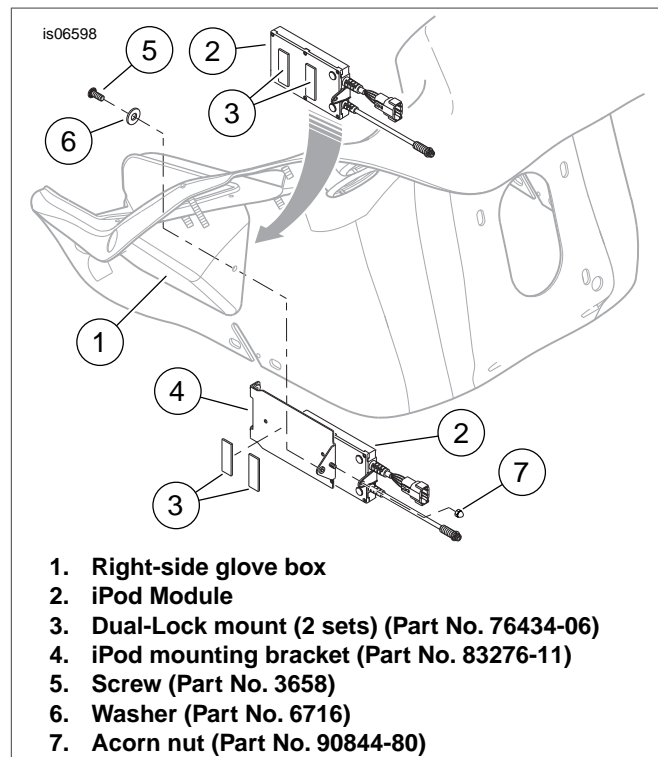
2. See the wiring diagrams in the service manual appendix. Locate the black six-way vehicle interconnect harness socket housing [6B] near the back of the radio.

If socket housing [6B] is connected to pin housing [6A] on the vehicle audio harness, separate the two connector halves.



1. iPod module
2. Radio case screw
3. Grommet (2)

Figure 1. iPod Module Installation



1. Right-side glove box
2. iPod Module
3. Dual-Lock mount (2 sets) (Part No. 76434-06)
4. iPod mounting bracket (Part No. 83276-11)
5. Screw (Part No. 3658)
6. Washer (Part No. 6716)
7. Acorn nut (Part No. 90844-80)

Figure 2. Alternate iPod Module Mounting Configurations for FLTR and FLTRX Models

3. **Models WITHOUT 35-Way connector on back of radio:** Get the Connector Kit (Part No. 69200033, sold separately), and install the wire terminals and seal plugs per the instructions in **that** kit.

Models WITH 35-Way connector on back of radio: See Figure 3 and Figure 4. Unplug the 35-way connector [28B] from the back of the radio. Follow instructions in the service manual appendix to remove the seal pins from cavities 8, 19 and 31.

Insert three of the terminated wires from the iPod/NIM harness into connector [28B] as follows:

- Insert the **tan/red** wire terminal into **cavity 8**.
- Insert the **violet/gray** wire terminal into **cavity 19**.
- Insert the **tan/blue** wire terminal into **cavity 31**.

If an Advanced Audio Bluetooth® Hands-Free Cell Phone Interface (Part No. 76408-06) IS ALSO installed, individually wrap the ends of the remaining two (red/blue and black/blue) terminated wires from the iPod/NIM harness with electrical tape to prevent electrical problems.

If an Advanced Audio Bluetooth Hands-Free Cell Phone Interface IS NOT installed, insert the remaining two terminated wires from the iPod/NIM harness into connector [28B] as follows:

- Remove the seal pins from cavities 4 and 27.
- Insert the **red/blue** wire terminal into **cavity 4**.
- Insert the **black/blue** wire terminal into **cavity 27**.

4. **For ALL installations:** Mate the six-way **pin housing** [6A] of the iPod/NIM harness to socket housing [6B] on the vehicle interconnect harness.

If vehicle interconnect harness [6B] was unplugged from audio harness [6A] in step 2, mate the six-way socket

housing [6B] of the iPod/NIM harness to pin housing [6A] on the audio harness.

If vehicle interconnect harness [6B] was NOT connected in step 2, the six-way socket housing [6B] of the iPod/NIM harness can be left unconnected.

5. Plug the eight-way connector [274B] of the iPod/NIM harness into the iPod interface module (1) connector [274A].

NOTE

Be sure to check that all socket terminals are fully seated and locked into the 35-way socket housing [28B] before plugging back into the radio.

6. Plug connector [28B] into the back of the radio.
7. **If a NIM is also installed**, see the instructions in **that** kit for detailed mounting and electrical connections.

If a NIM is not installed, insert the cavity seal plugs (4) into the loose six-way housing (3) from the kit.

Install the six-way housing on the unused pin housing [275B] of the iPod/NIM harness.

NOTE

*If the iPod is being installed in the right-side saddlebag using a BOOM! Audio Saddlebag iPod Mount Kit (Part No. 76000143, available separately), see the instructions in **that** kit. The longer cable from that kit will be connected to the round connector on the iPod module in the next step.*

8. Connect the iPod cable (5) to the round connector on the iPod module. Align the arrows and push. The connector will lock to the cable port with an audible "click".
9. Route the iPod cable under the radio and through the inner fairing near the steering head.

NOTE

DO NOT mount iPod models with a hard drive memory on the vehicle. Vehicle vibration can permanently damage the device. Refer to the iPod instructions to determine if the model to be used has a hard drive memory.

10. Some iPod models may be mounted on the tank using the Boom! Audio Tank Pouch (available separately).

The cable may also be routed under the tank (inside the wire caddy alongside other harnesses) and up to the rider near the front of the seat.

NOTE

- *Take care to route the cable so it will not be pinched by the seat or anything else on the vehicle.*
- *Do not fasten the iPod cable too tightly with cable straps, as it is easily damaged.*

11. Use cable straps (6) from the kit to fasten the iPod/NIM harness and the iPod cable to the vehicle harnesses inside the fairing.

RETURN TO SERVICE

NOTE

*To prevent possible damage to the sound system, verify that the ignition key switch is in the OFF position **before** installing the main fuse.*

1. See the service manual and install the main fuse.
2. Plug the iPod cable connector into the iPod.
3. Turn the ignition key switch ON, and test the iPod for proper operation. Playlists, artists and song titles may be selected from the radio display using the hand controls or radio soft keys.
4. Install the outer fairing and windshield per service manual instructions.

IN USE

 **WARNING**

Set volume levels and other controls on audio and electronic devices before riding. Distractions can lead to loss of control, resulting in death or serious injury. (00088b)

See the Boom! Audio iPod Interface Module owner's manual for operating instructions.

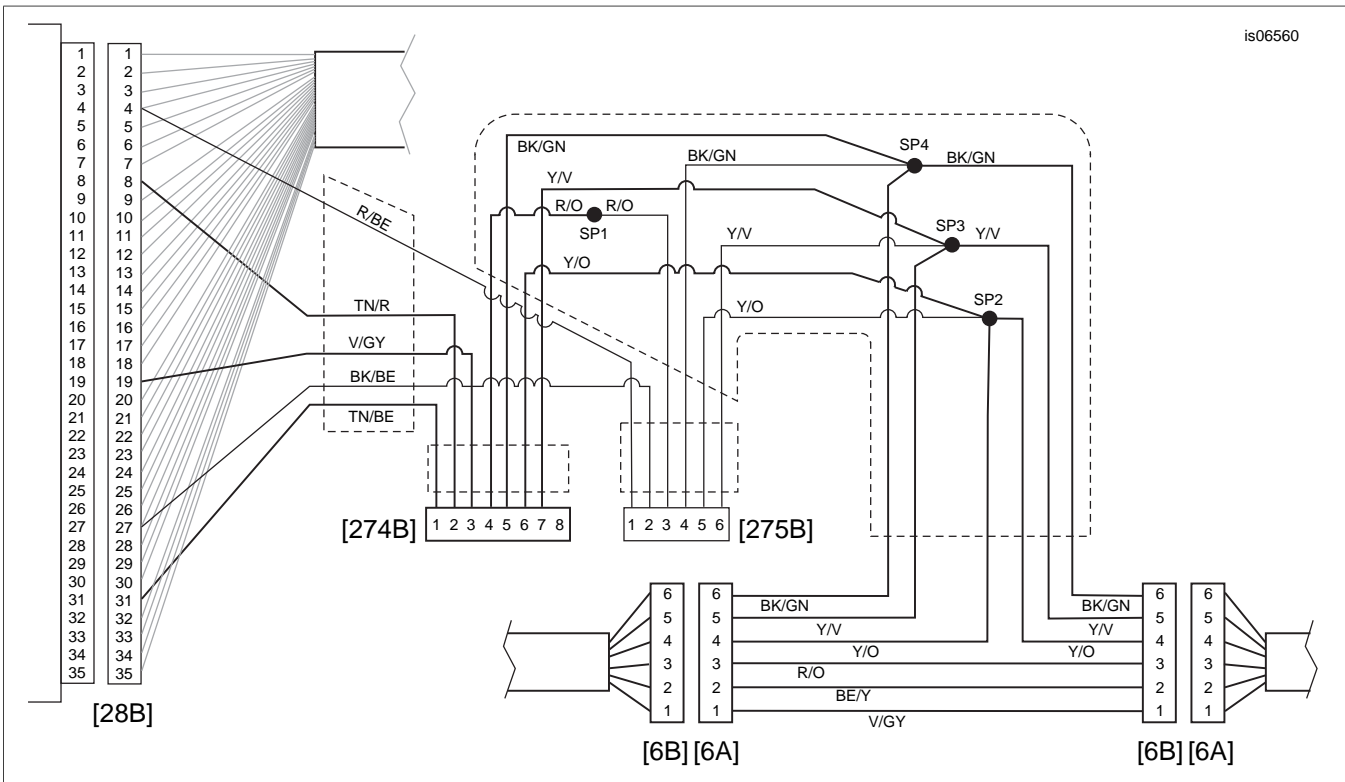


Figure 3. Wiring Diagram, iPod/Navigation Interface Module

SERVICE PARTS

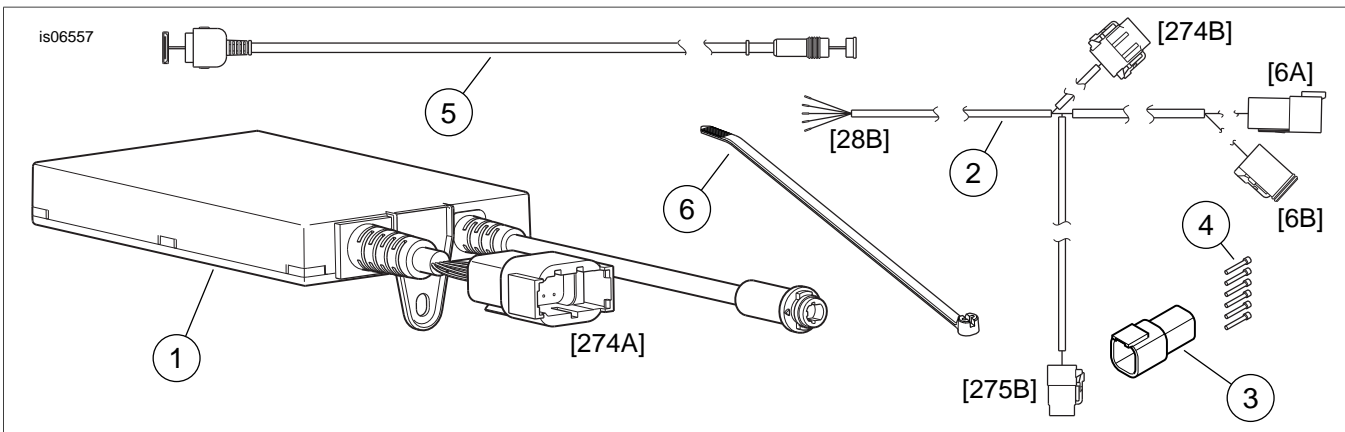


Figure 4. Service Parts, iPod Interface Module

Table 1. Service Parts

Item	Description (Quantity)	Part Number
1	Module, iPod Interface	72647-11
2	Harness, iPod/Navigation Interface Module (NIM)	76477-10
3	Pin housing, six-way, Deutsch DTM, black	74106-98BK
4	Seal pin (6)	74195-98
5	Cable, iPod	72651-11
6	Cable strap (4)	10006