



## INSTALLATION INSTRUCTIONS

Accessory  
AUTOMATIC DAY/NIGHT MIRROR

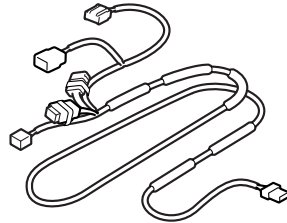
Application  
2013 CIVIC  
2 AND 4-DOOR

Publications No.  
All 13050  
Issue Date  
NOV 2012

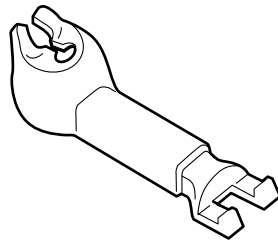
### PARTS LIST

Attachment Kit  
P/N 08V03-TR0-100

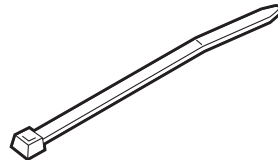
Automatic day/night mirror harness



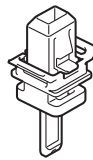
Harness cover



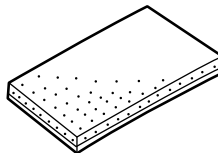
6 Wire ties A



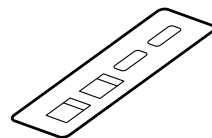
Clip



EPT sealer

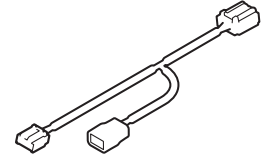


Fuse label

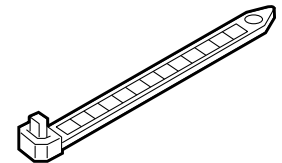


Subharness Kit (With E-CON Switch)  
P/N 08V03-TR0-1A0

Automatic day/night mirror subharness

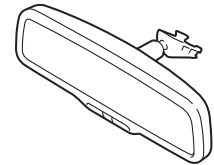


2 Wire ties B



Automatic Day/Night Mirror Kit (With FCW/LDW CAMERA)  
P/N 08V03-TA0-100A

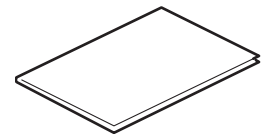
Automatic day/night mirror



Spring

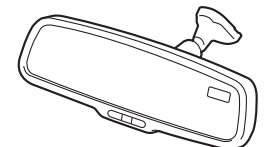


Operating Instructions

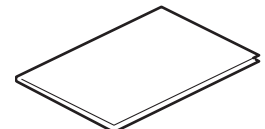


Automatic Day/Night Mirror Kit (Without FCW/LDW CAMERA)  
P/N 08V03-TR0-100A

Automatic day/night mirror



Operating Instructions



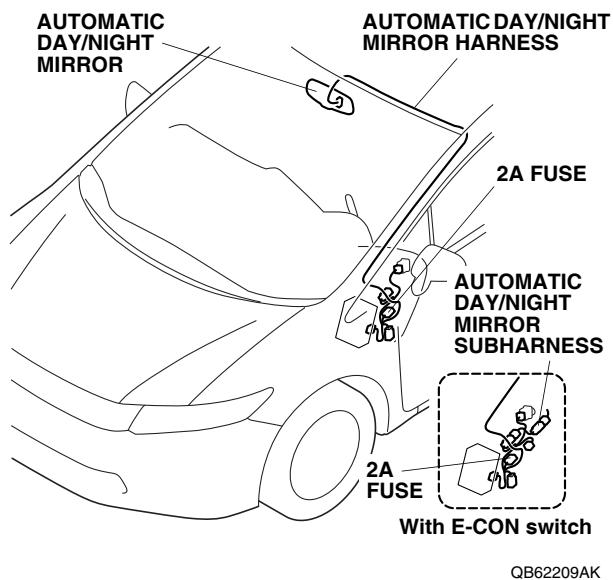
## TOOLS AND SUPPLIES REQUIRED

Phillips screwdriver  
Flat-tip screwdriver  
Ratchet  
10 mm Socket  
Isopropyl alcohol  
Needle nose pliers  
Shop towel  
Diagonal cutters  
T20 TORX wrench  
Flashlight  
Tape

The following tool is available through the Honda Tool and Equipment Program. On the iN, click on: Service > Service Bay > Tool and Equipment Program, then enter the number under "Search". Or, call 888-424-6857.

- Plastic Trim Tool (T/N SILTRIMTL10)

### Illustration of the Automatic Day/Night Mirror on the Vehicle

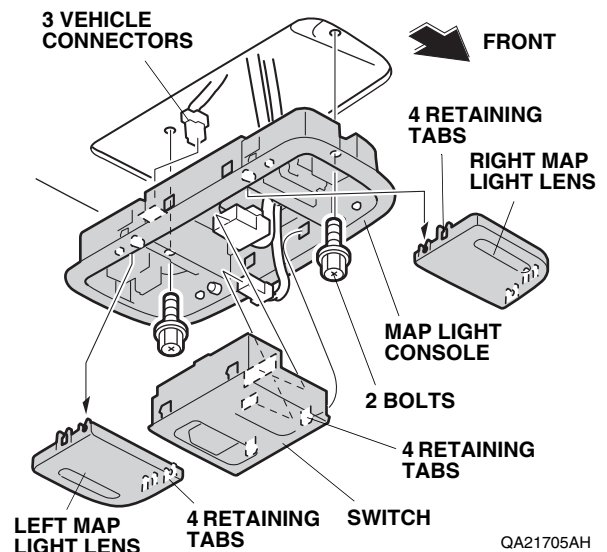


## INSTALLATION

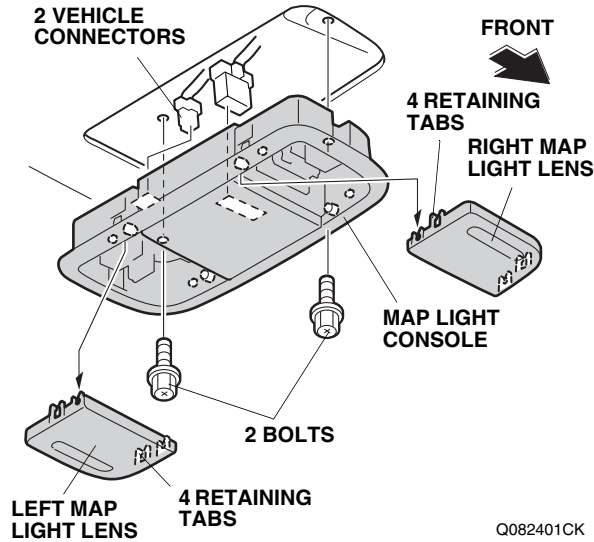
**Customer Information:** The information in this installation instruction is intended for use only by skilled technicians who have the proper tools, equipment, and training to correctly and safely add equipment to your vehicle. These procedures should not be attempted by "do-it-yourselfers."

1. Disconnect the negative cable from the battery.  
If the vehicle is equipped with map light, continue with step 2, otherwise go to step 3.
2. Remove the left and right lenses from the map light console (four retaining tabs for each lens). Remove the two bolts.

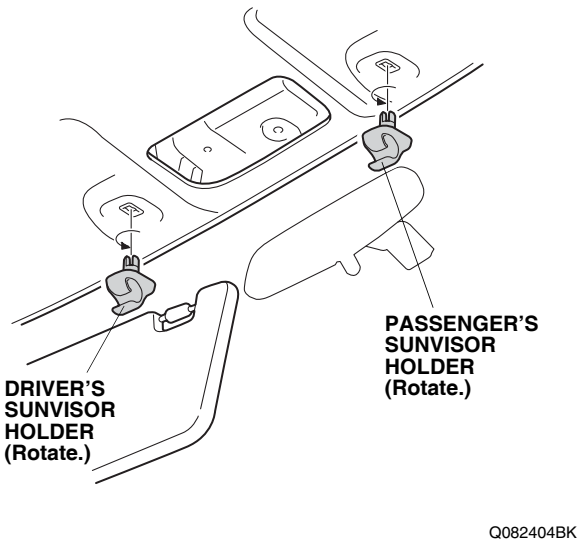
**With Moonroof:** Remove the map light console. Then unplug three vehicle connectors, and remove the switch (four retaining tabs).



**Without Moonroof and With Hands Free Link:**  
Remove the map light console (unplug two vehicle connectors).

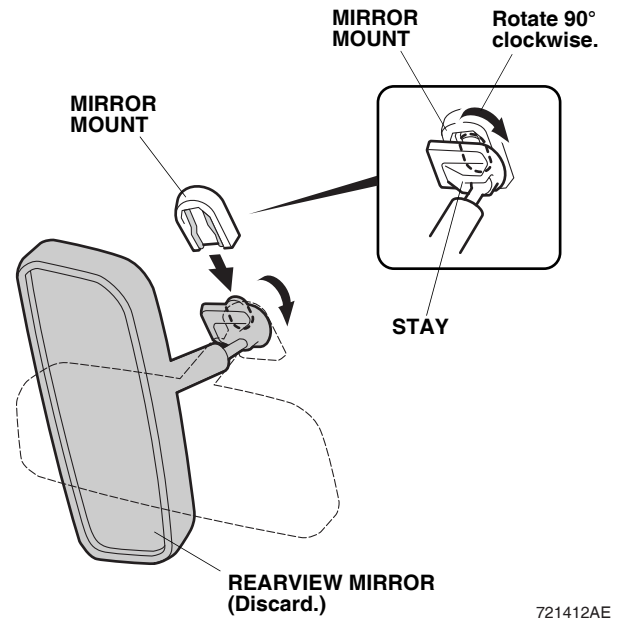


3. Remove the driver's and passenger's sunvisor holders.



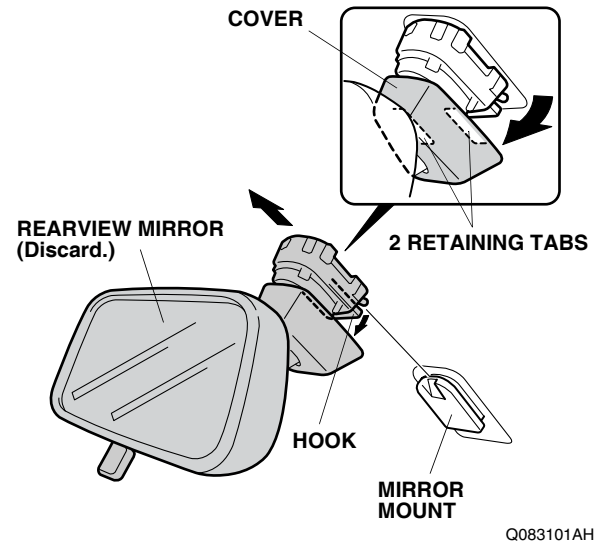
4. Remove the rearview mirror.

**With FCW/LDW Camera:** Remove the rearview mirror from the mirror mount by rotating the stay 90° clockwise.

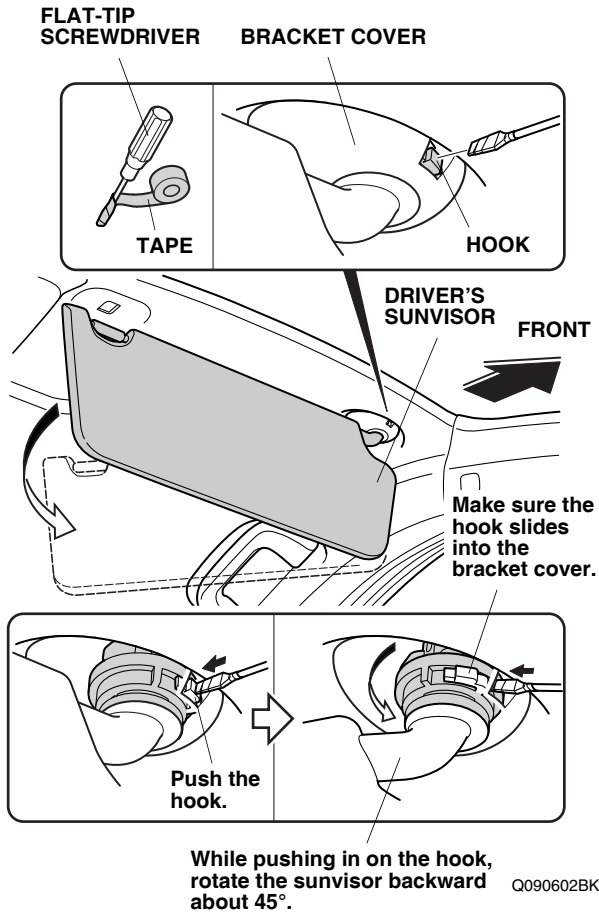


**Without FCW/LDW Camera:**

- Remove the cover (two retaining tabs).
- While holding down the hook as shown, remove the rearview mirror from the mirror mount.

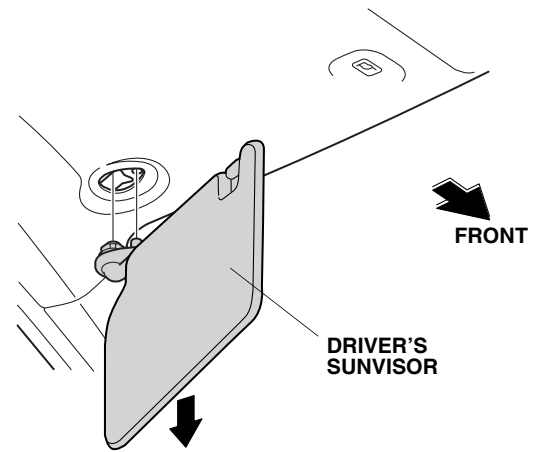


5. Wrap the end of a flat-tip screwdriver with tape. Locate the slot in the bracket cover, and insert a flat-tip screwdriver into the slot. Push the hook with the flat-tip screwdriver.



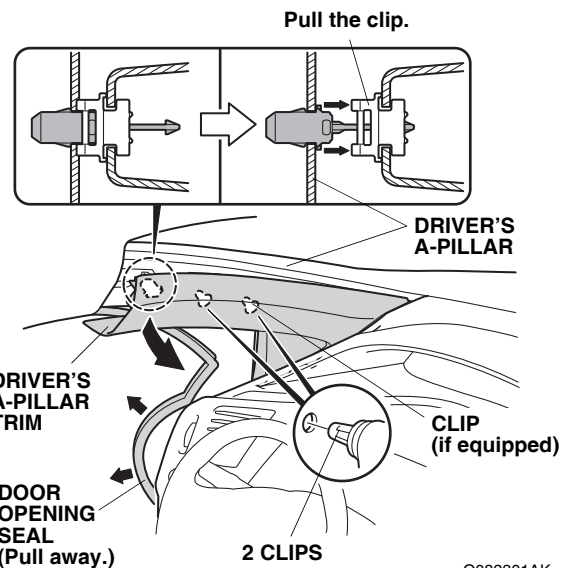
6. While pushing in on the hook, rotate the driver's sunvisor backward about 45°. Make sure the hook slides into the bracket cover. NOTE: If the hook did not stay pushed in, return the driver's sunvisor to its original position and repeat steps 5 and 6.

7. Remove the driver's sunvisor.



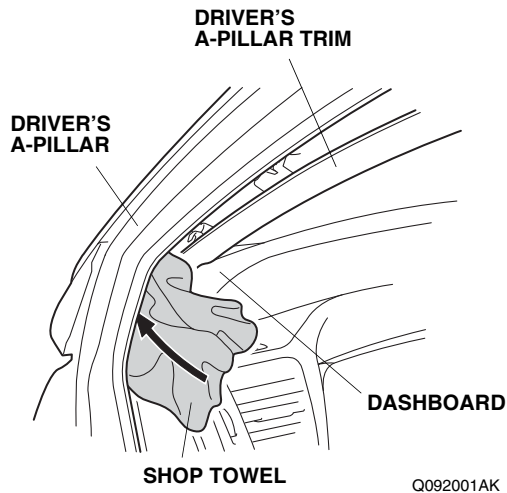
Q090603AK

8. Pull away the driver's door opening seal.

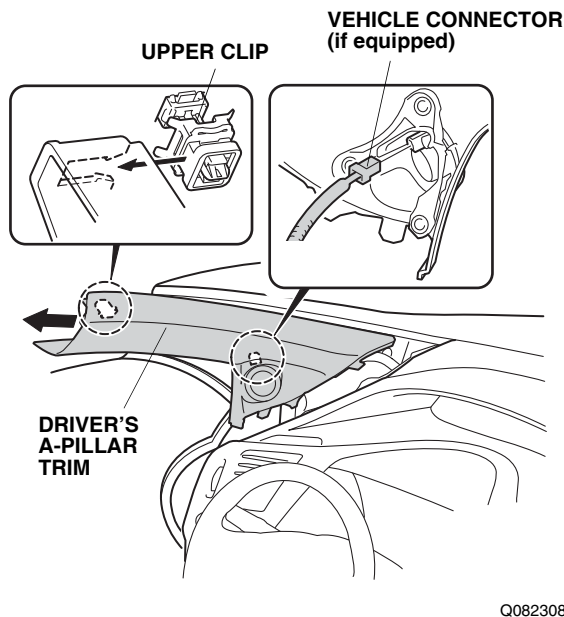


9. Pull out the driver's A-pillar trim to release the clips.

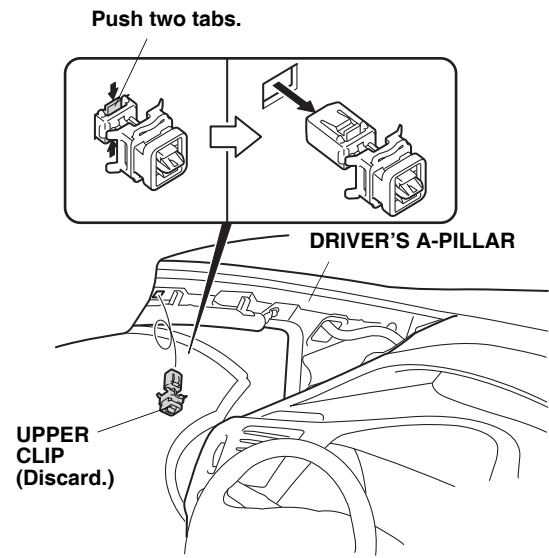
- Put a shop towel in the opening between the driver's A-pillar trim and the dashboard to prevent dropping the A-pillar clips. Take care not to damage the driver's A-pillar trim.



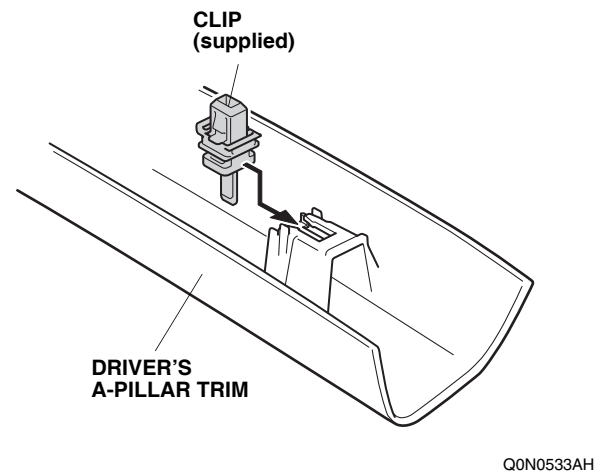
- Remove the driver's A-pillar trim from the upper clip (unplug the vehicle connector, if equipped). Carefully remove the shop towel and any clips that fell from the driver's A-pillar trim.  
NOTE: The upper clip will stay in the body.



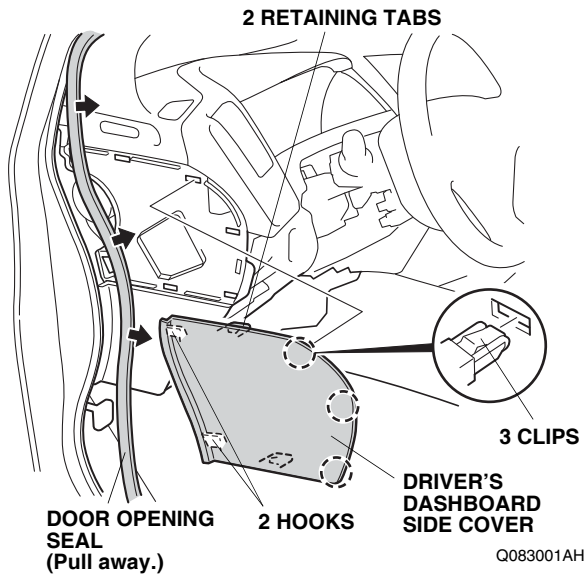
- Remove the remaining upper clip from the driver's A-pillar.



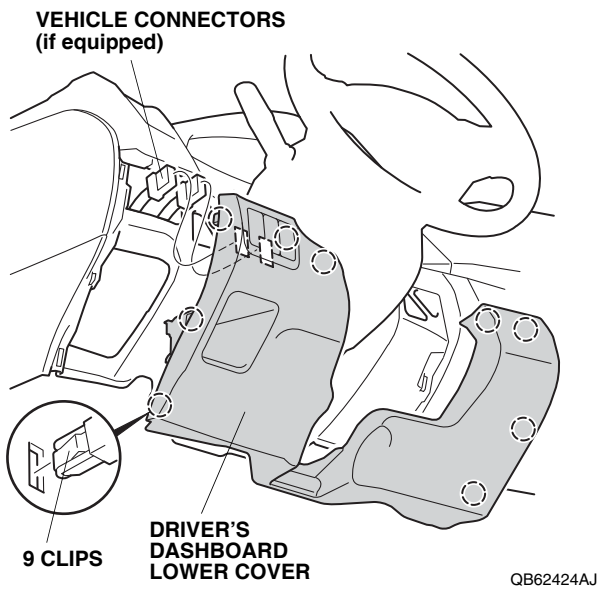
- Install the new clip (supplied) to the driver's A-pillar trim.  
NOTE: When reinstalling the A-pillar trim, refer to the Service Manual for the correct overlap procedure.



14. Pull away the door opening seal from around the dashboard.



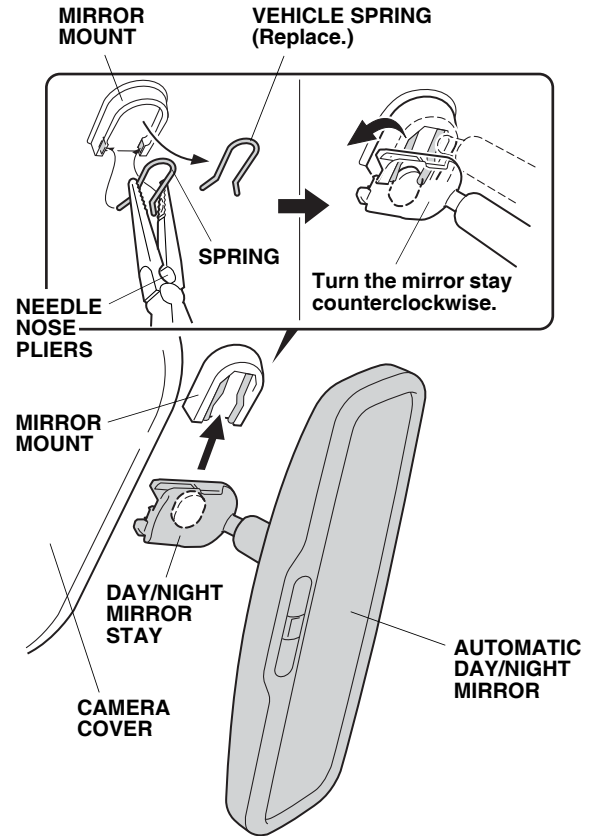
15. Remove the driver's dashboard side cover (three clips, two retaining tabs, and two hooks).
16. Remove the driver's dashboard lower cover (nine clips and unplug the vehicle connectors, if equipped).



## Installing the Automatic Day/Night Mirror

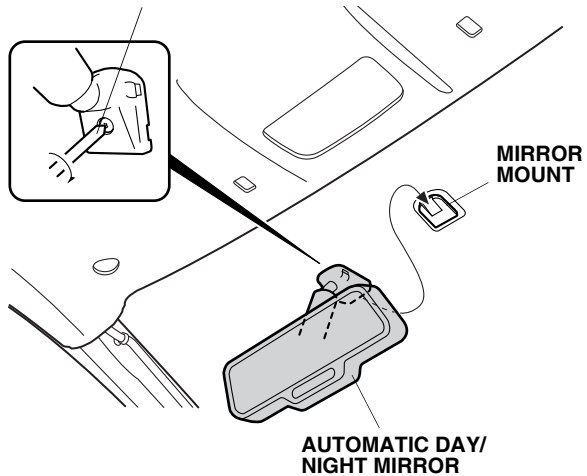
17. Install the automatic day/night mirror.

**With FCW/LDW Camera:** Replace the spring as needed. Slide the automatic day/night mirror stay onto the mirror mount, then turn the mirror stay counterclockwise as shown.



**Without FCW/LDW Camera:** Tighten the TORX screw.

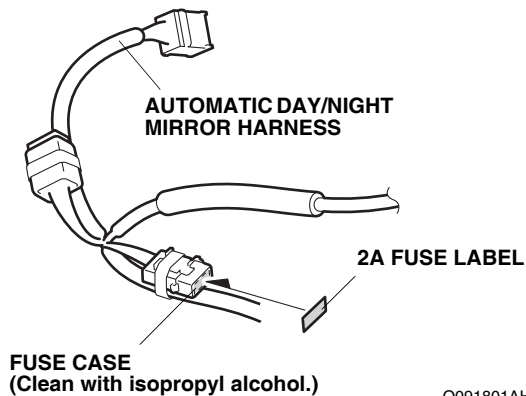
**T20 TORX WRENCH**  
Torque: 1.6 - 2.0 N·m (0.16 - 0.20 kgf·m, 1.2 - 1.5 lbf·ft).



Q083099CH

## Routing the Automatic Day/Night Mirror Harness

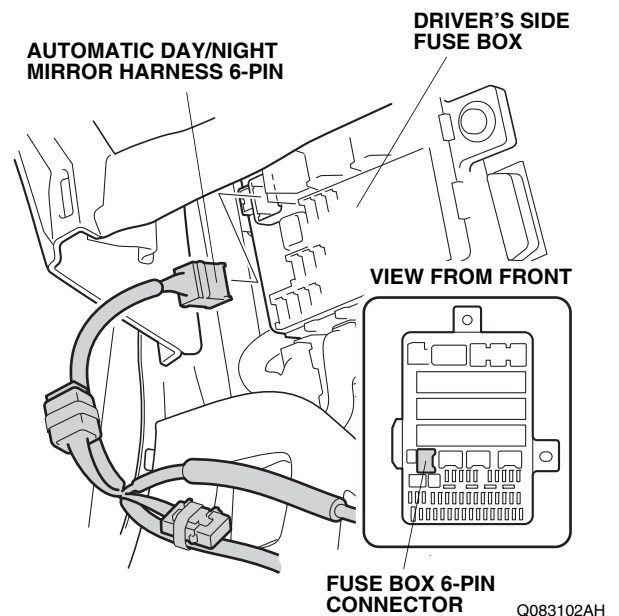
- Using isopropyl alcohol on a shop towel, thoroughly clean the fuse case where the fuse label will attach.



Q091801AH

- Attach the 2A fuse label to the fuse case on the automatic day/night mirror harness.

- Plug the automatic day/night mirror harness 6-pin connector into the fuse box 6-pin connector.  
If another accessory harness is already plugged into the fuse box, unplug it and plug in the automatic day/night mirror harness.

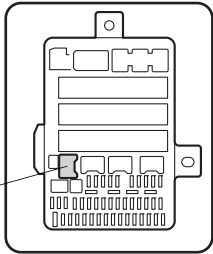
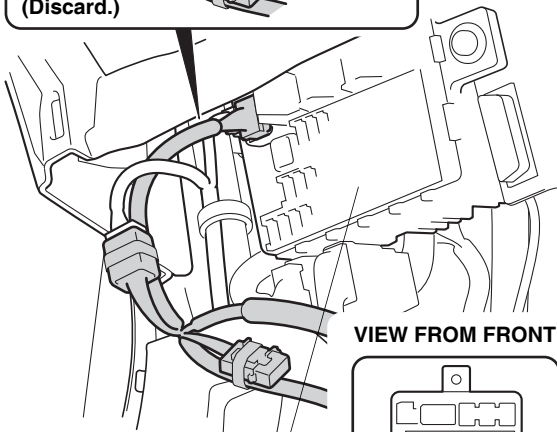
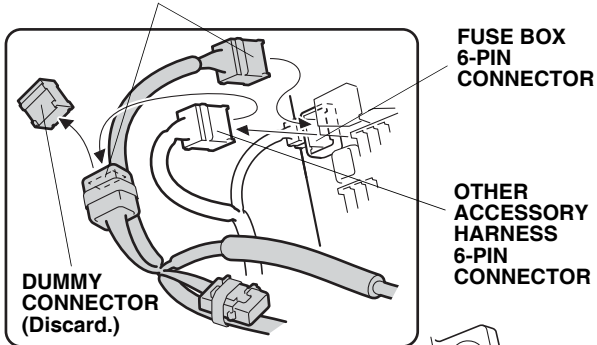


Q083102AH

## With Another Accessory Harness

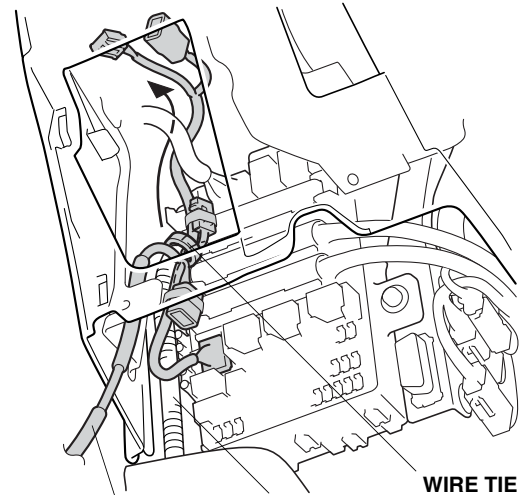
Remove the dummy connector from the automatic day/night harness and plug the other accessory harness 6-pin connector into the automatic day/night mirror harness 6-pin connector.

### AUTOMATIC DAY/NIGHT MIRROR HARNESS 6-PIN



QB70502AK

21. Route the automatic day/night mirror harness to the driver's dashboard lower cover opening as shown.

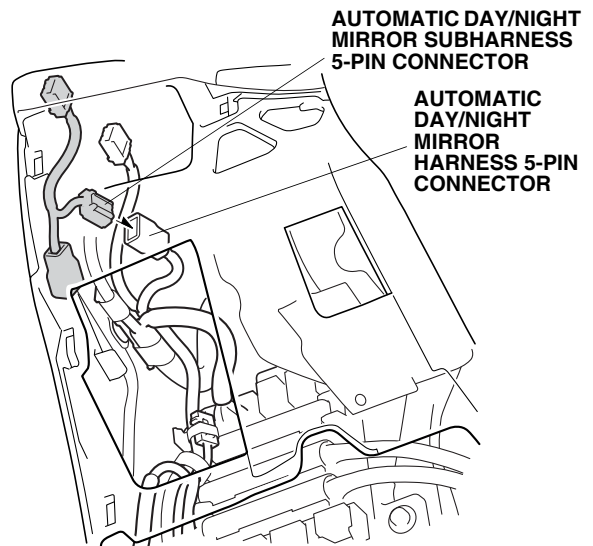


Q083104AH

22. Using one wire tie A, secure the automatic day/night mirror harness to the vehicle harness.

*If the vehicle is equipped with E-CON switch, continue with step 23, otherwise go to step 29.*

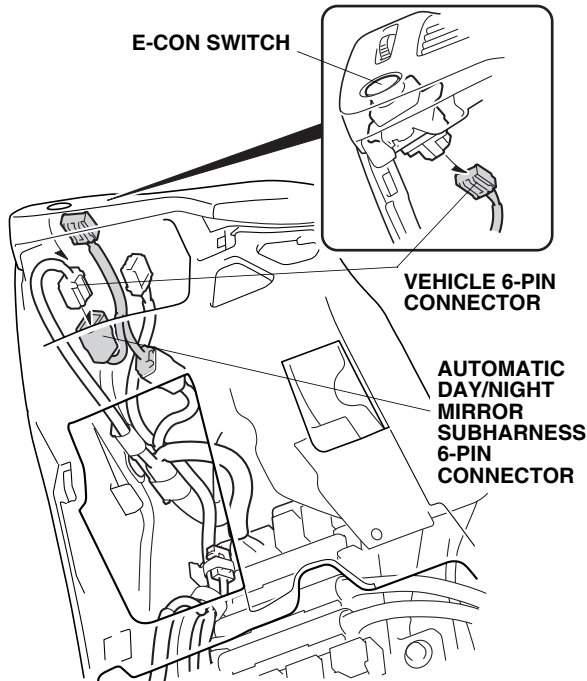
23. Plug the automatic day/night mirror subharness 5-pin connector into the automatic day/night mirror harness 5-pin connector.



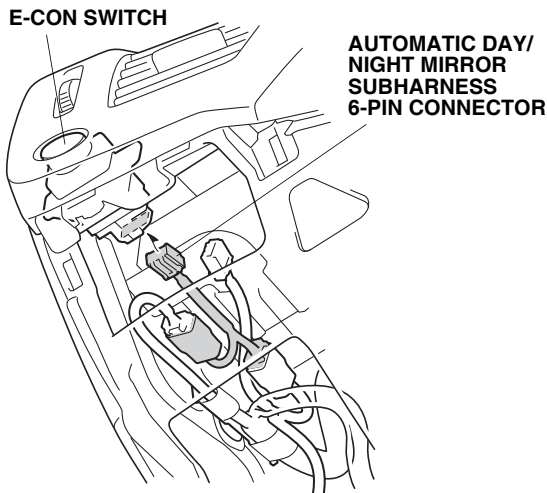
QB62201AK



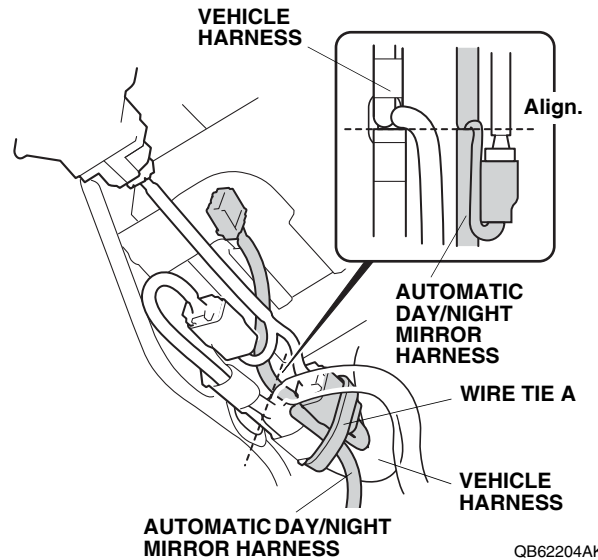
24. Unplug the vehicle 6-pin connector from the E-CON switch, and plug it into the automatic day/night mirror subharness 6-pin connector.



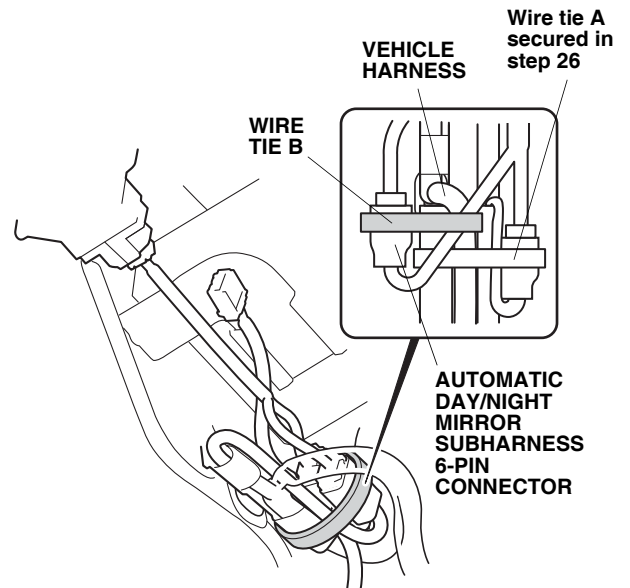
25. Plug the automatic day/night mirror subharness 6-pin connector to the E-CON switch.



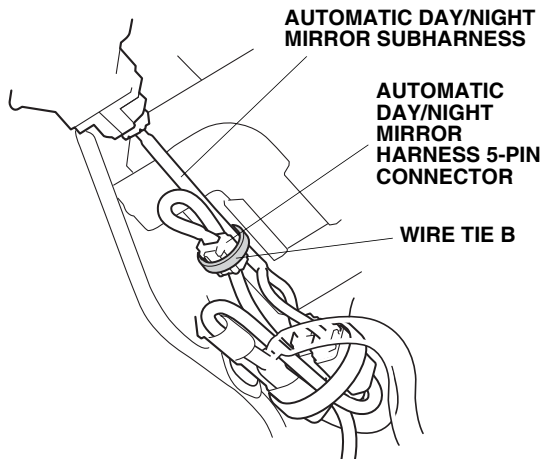
26. Using one wire tie A, secure the automatic day/night mirror harness to the vehicle harness as shown.



27. Using one wire tie B, secure the automatic day/night mirror subharness 6-pin connector to the vehicle harness as shown.



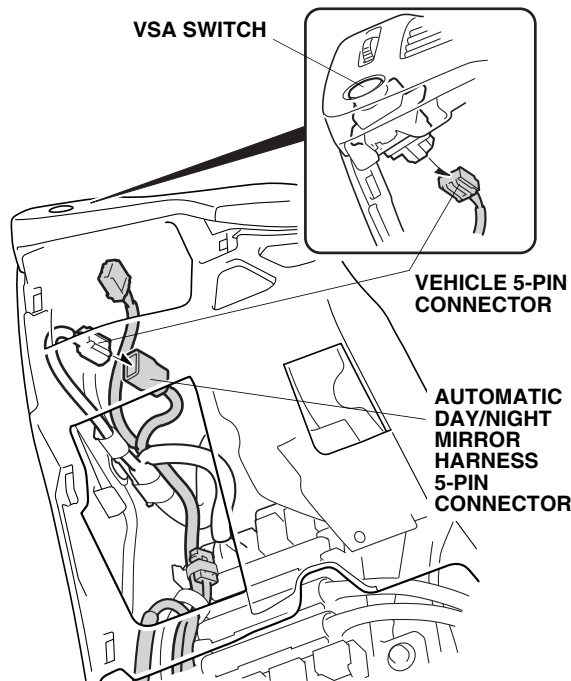
28. Using one wire tie B, secure the automatic day/night mirror harness 5-pin connector to the automatic day/night mirror subharness as shown. Go to step 32.



QB62206AK

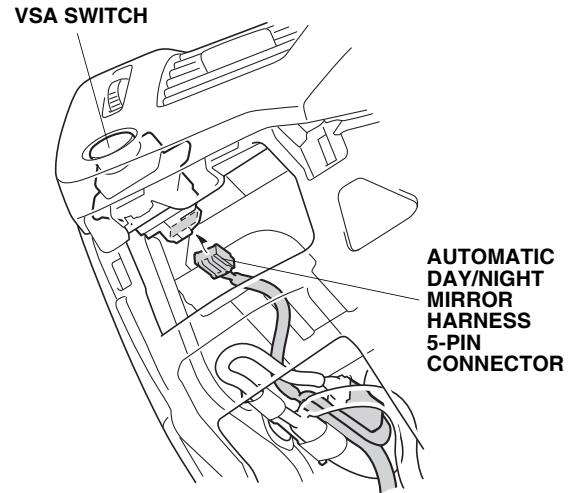
### Without E-CON Switch

29. Unplug the vehicle 5-pin connector from the VSA switch, and plug it into the automatic day/night mirror harness 5-pin connector.



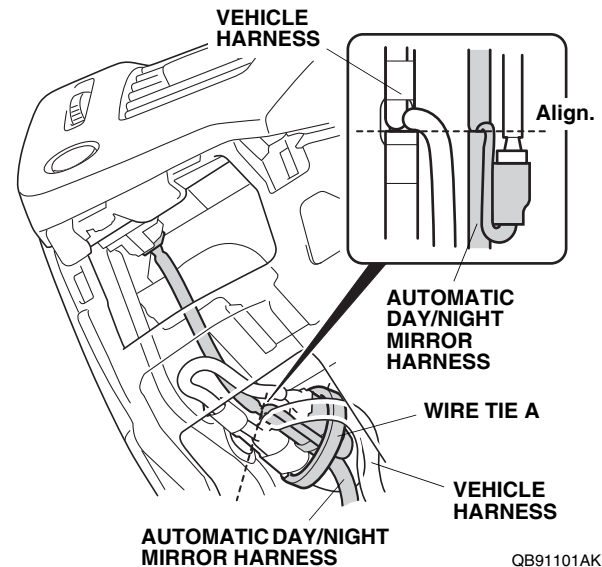
Q083107AH

30. Plug the automatic day/night mirror harness 5-pin connector to the VSA switch.



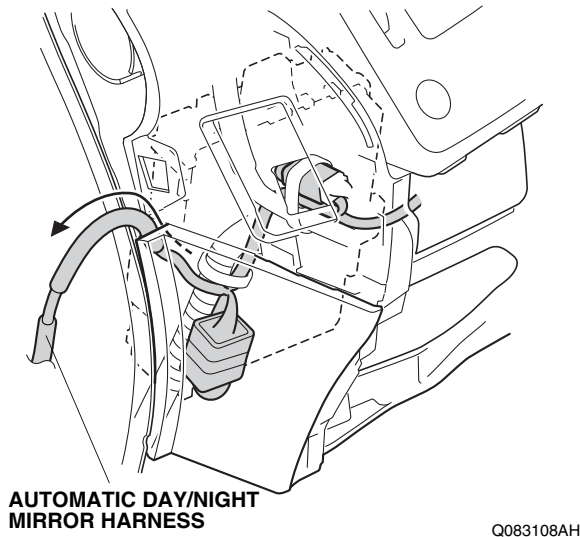
Q091901BH

31. Using one wire tie A, secure the automatic day/night mirror harness to the vehicle harness as shown.

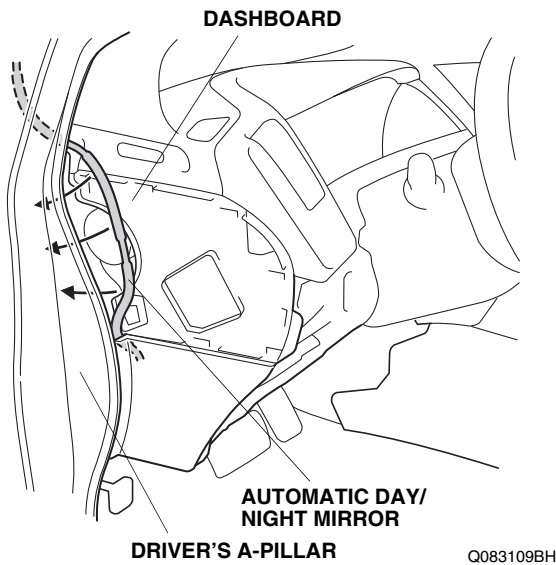


QB91101AK

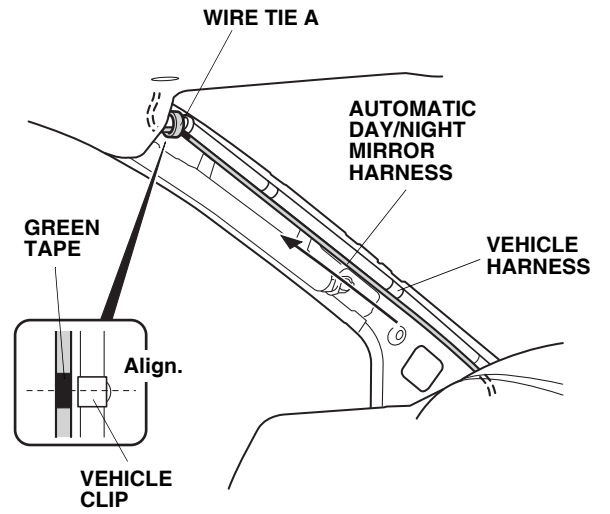
32. Route the automatic day/night mirror harness toward the outside of the vehicle as shown.



33. Insert the automatic day/night mirror harness between the dashboard and the driver's A-pillar.

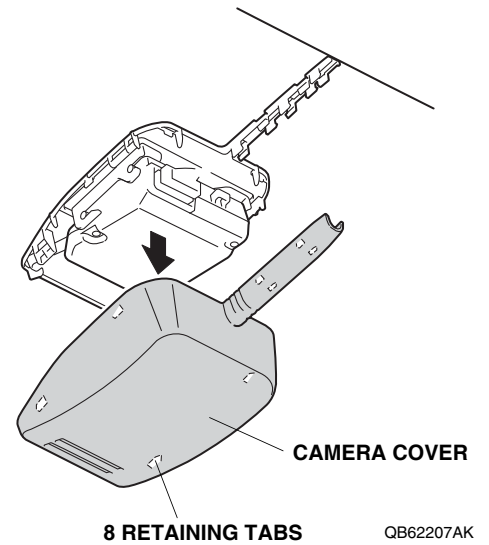


34. Align the green tape on the automatic day/night mirror harness with the vehicle clip, and secure the automatic day/night mirror harness to the vehicle harness with one wire tie A.

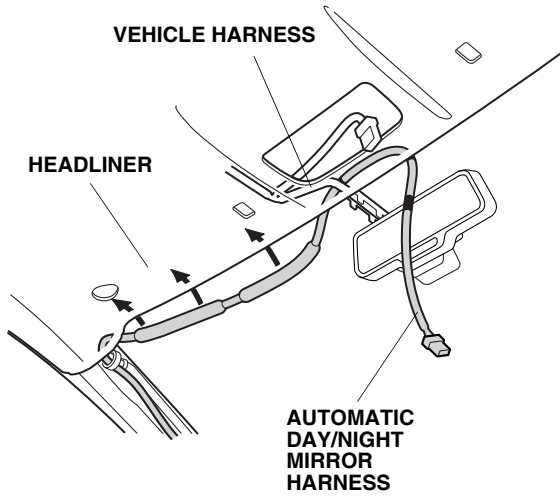


*If the vehicle is equipped with FCW/LDW camera, continue with step 35, otherwise go to step 37.*

35. Remove the camera cover (eight retaining tabs).



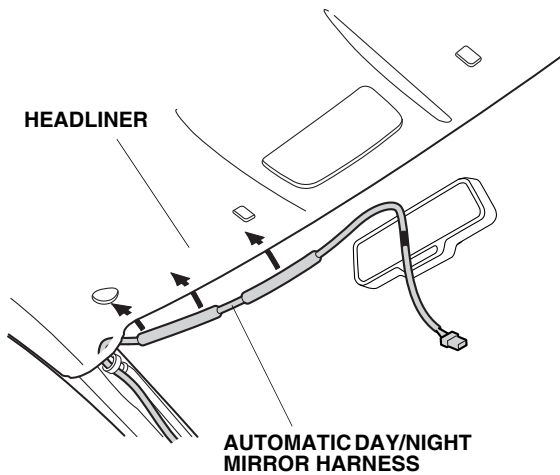
36. Route the automatic day/night mirror harness under the headliner as shown. Be careful not to crease the headliner. Go to step 38.



QB62208AK

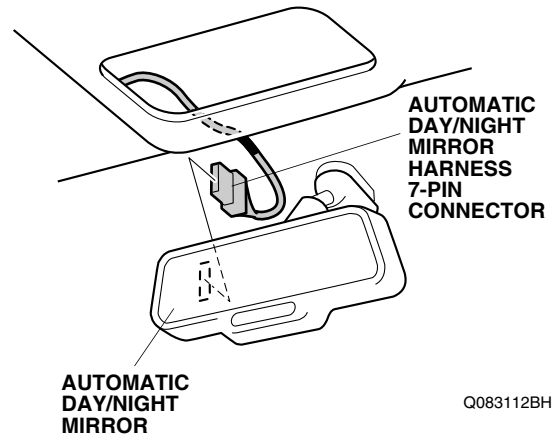
### **Without FCW/LDW Camera**

37. Route the automatic day/night mirror harness under the headliner as shown. Be careful not to crease the headliner.



Q083111CH

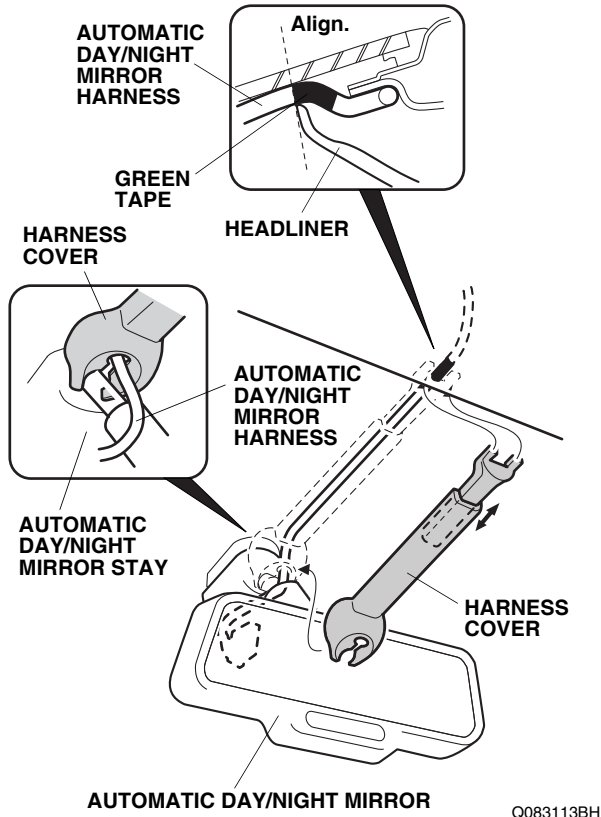
38. Plug the automatic day/night mirror harness 7-pin connector to the automatic day/night mirror.



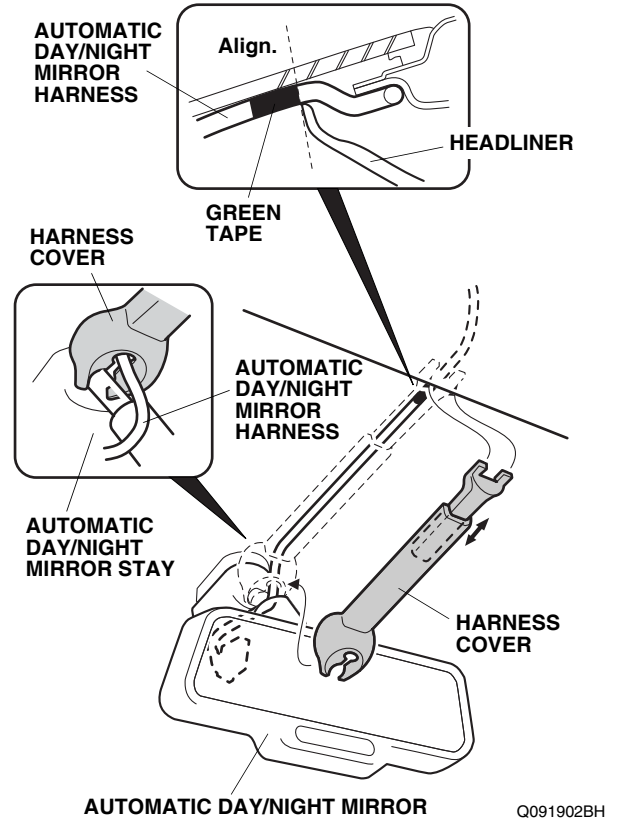
Q083112BH

39. Align the green tape on the automatic day/night mirror harness with the headliner as shown. Route the automatic day/night mirror harness through the groove in the harness cover. Secure the harness cover to the automatic day/night mirror stay. Slide the harness cover inside the headliner.

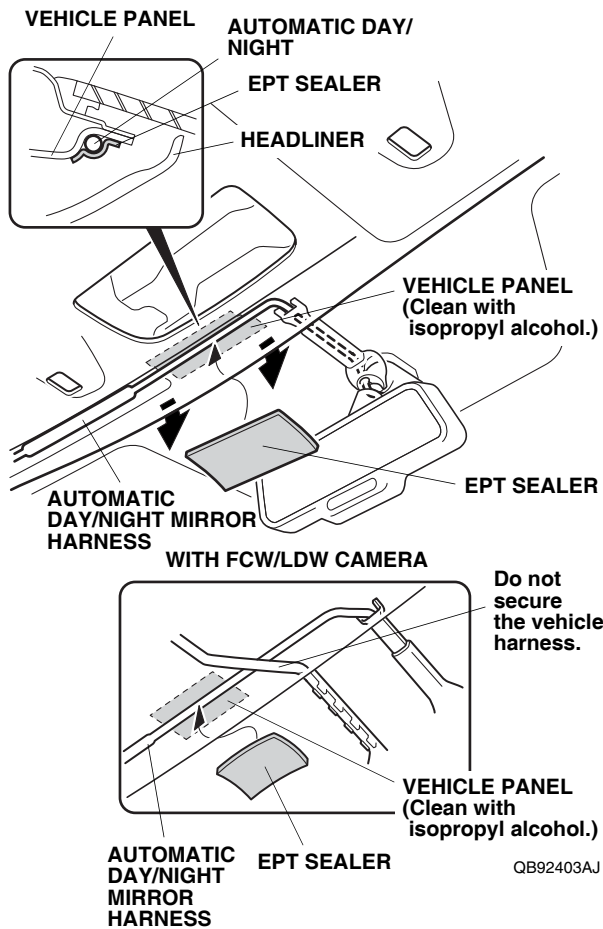
**4-Door:**



**2-Door:**

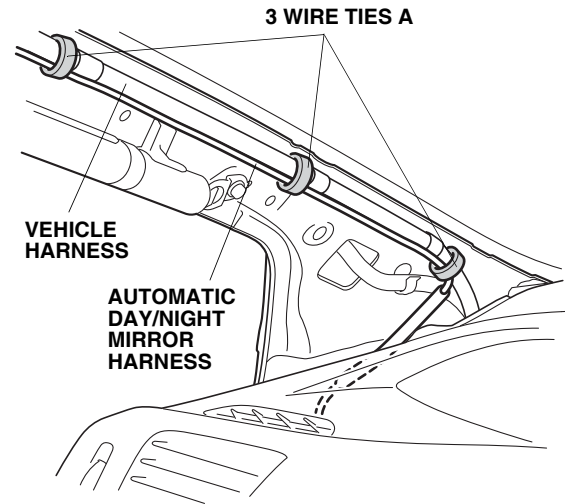


40. Using isopropyl alcohol on a shop towel, thoroughly clean the vehicle panel where the EPT sealer will attach.  
**NOTE:** Do not crease the headliner for the following procedure.



41. Secure the automatic day/night mirror harness to the vehicle panel with one EPT sealer as shown. Be careful not to crease the headliner.

42. Using three wire ties A, secure the automatic day/night mirror harness to the vehicle harness as shown.



Q083115BH

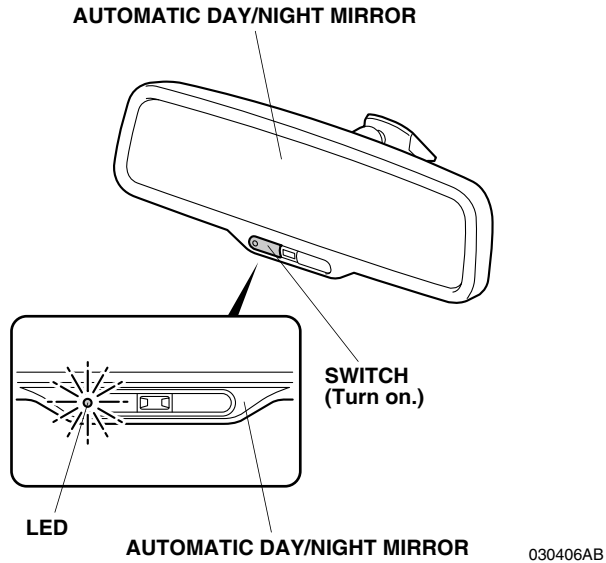
43. Check that all wire harnesses are routed properly and all connectors are plugged in.  
 44. Check the overlap between the headliner and the driver's A-pillar trim. Refer to the service manual. If necessary, adjust the overlap.  
 45. Reinstall all removed parts.  
 46. Reconnect the negative cable to the battery.  
 47. Press and hold the radio power button for two seconds to restore the radio and navi (if equipped) system functions.  
 48. Reset the clock.  
 49. If the IMA battery level gauge is at zero, start the engine and hold the rpm between 3500 and 4000 (no load) in P or N position until the Charge/Assist meter indicates the IMA system has stopped charging the battery.

**NOTE:**

- Check the operation of the automatic day/night mirror according to the Operating Instructions supplied.
  - Adjust the zone and calibrate as required.
50. Put the Operating Instructions in the glove box.

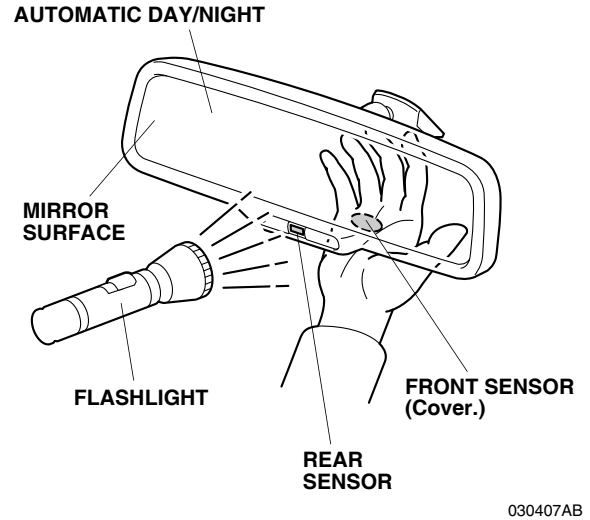
## FUNCTION CHECK

1. Turn the ignition switch to ON (II), but do not start the engine.



2. Turn the switch on. Check that the LED lights.

3. Cover the front sensor on the automatic day/night mirror with your hand, and use a flashlight to light the rear sensor on the automatic day/night mirror. Check to make sure the mirror surface becomes dim.



4. Step on the brake pedal, and move the select lever to the "R" position. Repeat step 3, and check to make sure the mirror surface does not become dim.
  - Make sure that the parking brake is locked securely.
  - If the automatic day/night mirror does not function properly, check the fuse and all connectors.