



- [Home](#)
- [Forum](#)
- [Advertise](#)
- [Expert Help!](#)
- [Do It Yourself](#)
- [Our Models](#)
- [Great Products](#)
- [Links](#)
- [About](#)



Promotions:



Bazooka 10-Inch 100-Watt Amplified Tube Subwoofer

Other products by [Bazooka](#)

★★★★☆ (1 customer review) | [More about this product](#)

Price: [Click here to see the price \(Why don't we show the price?\)](#)

This item ships for **FREE with Super Saver Shipping.** [Details](#)

In Stock.

Ships from and sold by [Amazon.com](#).

Only 1 left in stock--order soon.


Installing Seat Heaters for BMW E36

posted in [Do It Yourself](#), [Interior](#) |

21st
December
2006

5)

 Loading ...

 Need A Mechanic for your [car](#)? Try our new "Expert Help!" service. These guys have a number of experienced mechanics specialized in [BMW E36 cars](#). In exchange for a small payout, you get experienced mechanics to answer any question you have about your car. **Try the service!**

Disclaimer: Use this info at your own risk!! I'm not responsible if this didn't work for you :-).

Specialized knowledge is required.

Installation time is approx. 4-5 hours, though this may vary according to the condition of the vehicle and its fittings.

Information

All instructions and illustrations are given for left-hand drive models. Certain work steps must be carried out in mirror-image fashion for right-hand drive models.

The [seat](#) heating is ready for [operation](#) when the ignition key is turned to position 2 (terminal 15).

The seat [cushion](#)-heating conductors are marked **R** (right) and **L** (left).

The backrest-heating conductors can be installed on either side.

Tools and materials required

Regular screwdriver

Phillips screwdriver

Torx screwdriver T 20

1/2" [Torque wrench](#)

Ratchet with 1/2" drive

1/2" Extension

1/2" Drive socket, A/F 16mm

Ratchet with 1/4" drive

1/4" extension

1/4" drive socket, A/F 7mm, 10mm

Cable lamp

Universal pliers

Pointed pliers

Contents

- 1.Preliminary work
- 2.Overview of connectors at supplementary [wiring harness](#)
- 3.Installing supplementary wiring harness
- 4.Installing actuating switches
- 5.Installing heating conductors

1.Preliminary work

Print out fault memory (or memories)

Disconnect battery

Remove [paneling](#) at foot pedals

Remove paneling at bottom left-hand and right-hand speakers

Remove glove box

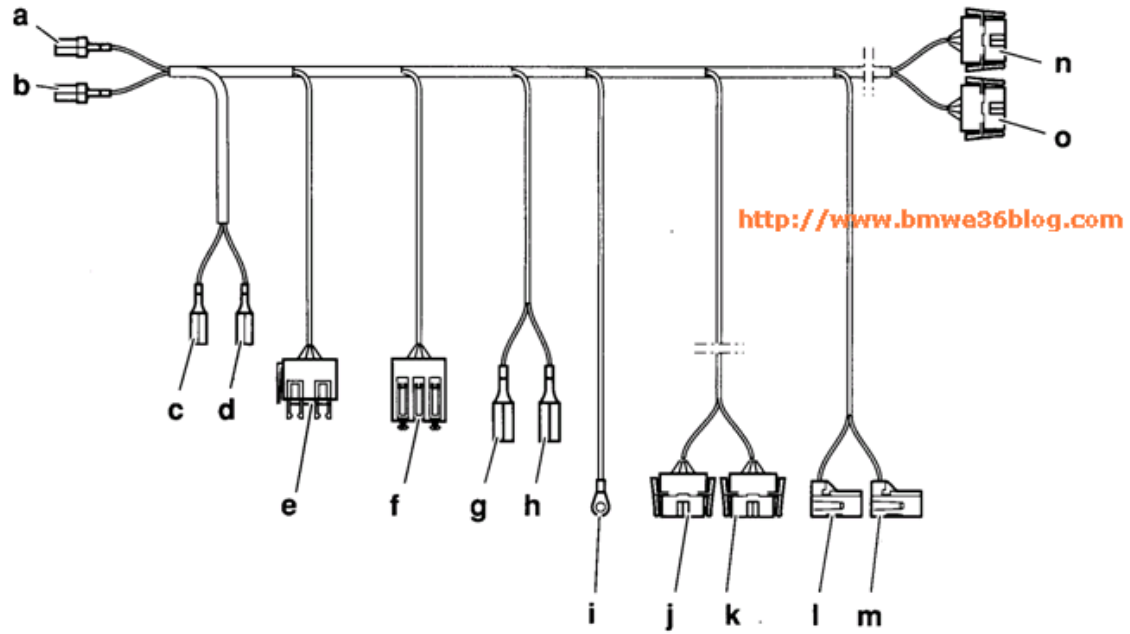
Remove center console

Remove driver and passenger seats

Remove right-hand and left-hand entrance strips
Remove right-hand and left-hand [seat-belt](#) fixtures

2. Overview of connections at supplementary wiring harness

F 36 62 262 M

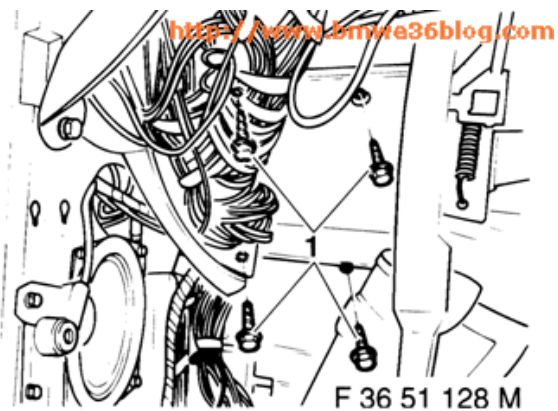


F 36 62 262 M

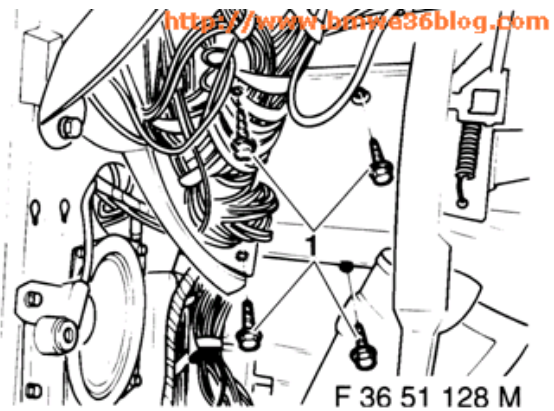
Position	Designation	Cable colour	Connection point in vehicle
a	Branch for output terminal, fuse F4	Red/violet	In distribution box, fuse carrier X10015, plug-in station No. 8
b	Branch for input terminal, fuse F4	Red	In distribution box, fuse carrier X10015, plug-in station No. 7
c	Branch for terminal 30	Red	In distribution box, fan connector X1066
d	Branch for terminal 15	Green/blue	In distribution box, fan connector X1076
e	Branch for relief relay socket X63		To fan-connector box, left
f	Branch for fan connector X13021	Red/yellow	Into fan-connector box, left
g/h	Branch for instrument lighting (terminal 58g)	Grey/red	Into fan-connector box, left, to fan connector X1019
i	Branch for earth (terminal 31)	Brown	Under instrument panel, left, to earth support X173
j/k	Branches for front-left seat, black 4-pin connectors X732 and X733	-	To mating connectors X732 and X733 from front-left seat
l/m	Branches for actuating switches, yellow 6-pin connectors X651 and X658	-	To seat-heating switches S53 and S54 in centre console http://www.bmw36blog.com
n/o	Branches for front-right seat, black 4-pin connectors X740 and X741	-	To mating connectors X740 and X741 from front-right seat

3. Installing supplementary wiring harness

F 36 51 128 M



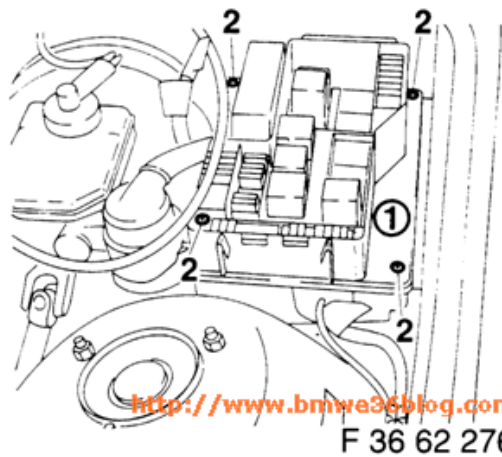
Remove metal hexagon screws (1) from distribution box fixture in left-hand footwell.



F 36 62 276 M

Remove cover of distribution box.

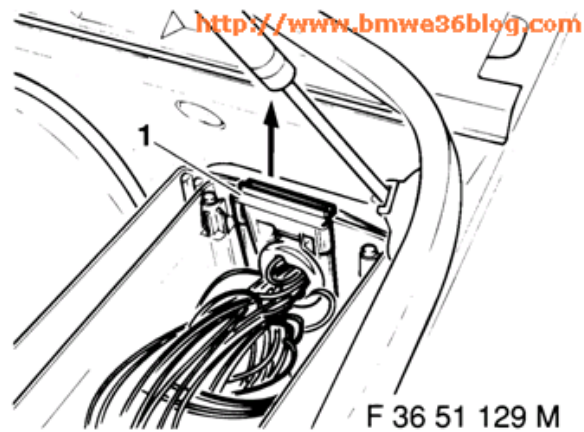
Remove Torx screws.



Pull upper section (1) of distribution box upwards as far as vehicle-wiring harness will allow.

F36 51 129 M

Remove guide element (1) of vehicle wiring harness in direction of arrow in illustration.



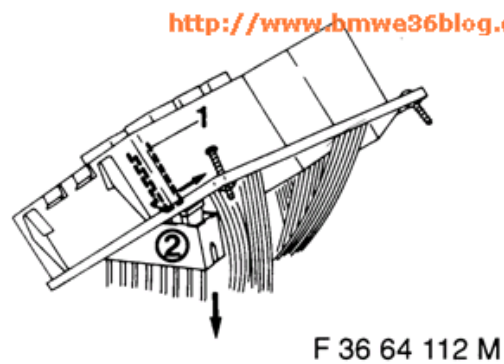
Installation information

In order to prevent moisture from penetrating distribution box, ensure that guide element (1) is installed correctly in distribution box.

F 36 64 112 M

Release lock (1) of fuse carrier (fuse F1 • F10) X10015 (2) in direction of arrow in illustration.

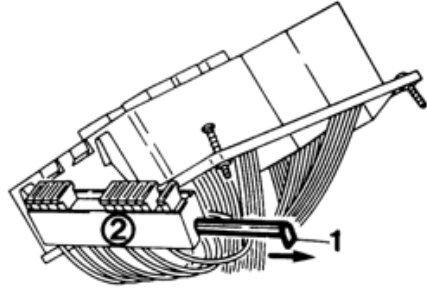
Remove Fuse carrier X10015 (2) in direction of arrow in illustration.



F 36 64 113 M

Remove lock (1) of fuse carrier X10015 (2) in direction of arrow in illustration.

<http://www.bmw36blog.com>



F 36 64 113 M

F 36 62 265 M

Lay supplementary wiring harness along vehicle wiring harness as shown in illustration:

Lay branches **a • d** into distribution box (1),

Branches **e • h** to left-hand fan-connector box (2),

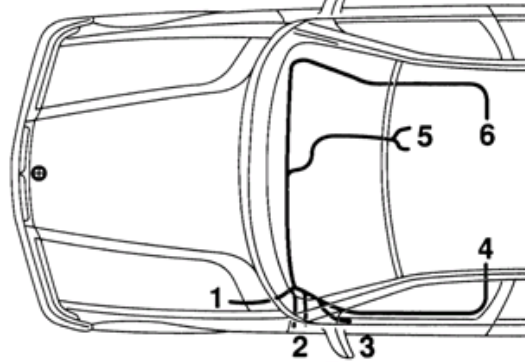
branch **i** to earth support X173 (3),

branches **j** and **k** to front-left seat (4),

branches **l** and **m** to center console (5) and

branches **n** and **o** to front-right seat (6).

<http://www.bmw36blog.com>



F 36 62 265 M

F 36 64 114 M

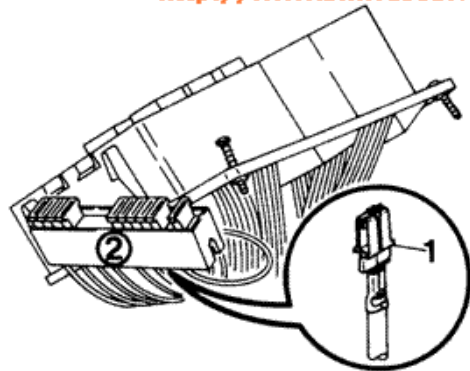
- a. Plug branch for output terminal, fuse F4 (1), red/violet cable, into plug-in station No. 8 of fuse carrier X10015 (2) in distribution box.
- b. Plug branch for input terminal, fuse F4 (1), red cable, into pug-in station No. 7 of fuse carrier X10015 (2) in distribution box.

Install lock of fuse carrier X10015 (2).

Install fuse carrier X10015 (2).

Plug 15 Amp safety fuse into plug-in station F4 of fuse carrier X10015 (2).

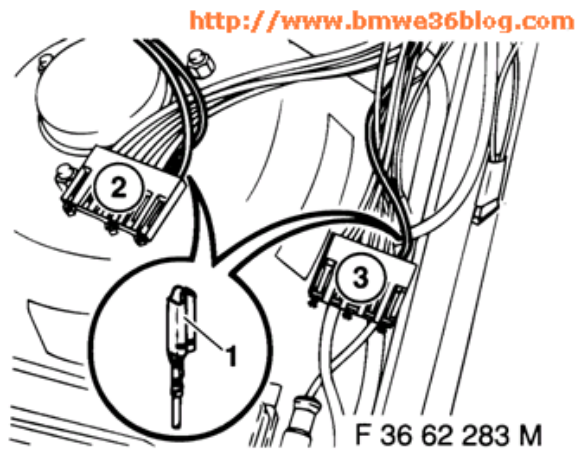
<http://www.bmwa36blog.com>



F 36 64 114 N

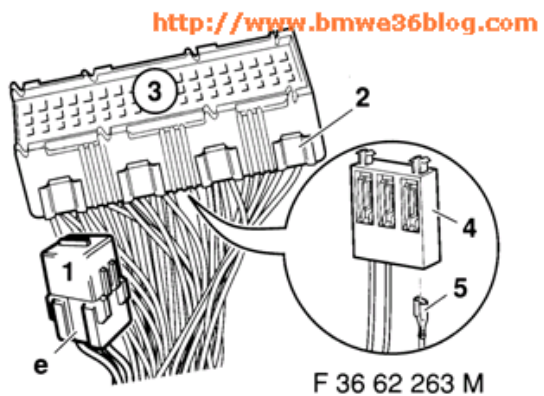
F 36 62 283 M

- c. Plug branch for terminal 30 (1), red cable, into fan connector X1066 (2), red cable, in distribution box.
- d. Plug branch for terminal 15 (1), green/blue cable, into fan connector X1076 (3), green/blue cable, in distribution box.



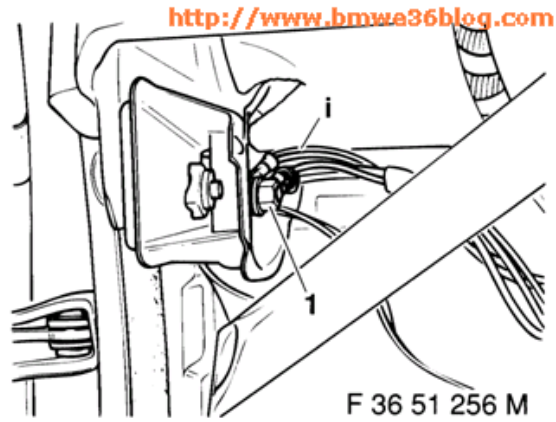
F 36 62 263 M

- e. Connect branch for relief relay socket X63, relay K9 (1), to pin base X63 (e) and connect to plug-in station (2) of left-hand fan-connector box (3).
- f. Plug branch for fan connector X13021, red/yellow cable, into left-hand fan-connector box (3).
- g/h. Plug branches for instrument light (5), grey/red cable, into fan connector X1019 (4), grey/red cable, of fan-connector box (3).



F36 51 256 M

- i. Connect branch for earth brown cable, to earth support X173 (1) under instrument panel on left.

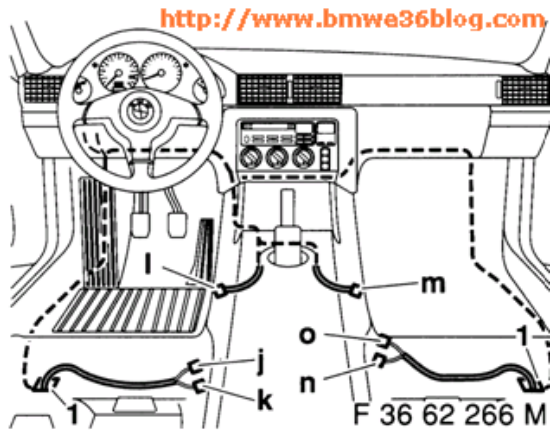


F 36 62 266 M

j/k. Lay branches for front-left seat, black 4-pin connectors X732 and X733, along vehicle wiring harness (as shown in illustration) through opening (1) in carpet to illustration point of front-left seat.

l/m. Lay branches for actuating switches, yellow 6-pin connectors X651 and X658, along vehicle wiring harness (as shown in illustration) to installation point in center console.

n/o. Lay branches for front-right seat, black 4-pin connectors X740 and X741, along vehicle wiring harness (as shown in illustration) through opening (1) in carpet to installation point of front-right seat.



4. Installing actuating switches

F 36 62 264 M

Note

In the case of vehicles with power windows, the openings have already been cut and it is only necessary to unclip the covers.
Cut out opening (2) of center console (1) as shown in illustration and press in cover frames.

Dimension A: 44mm

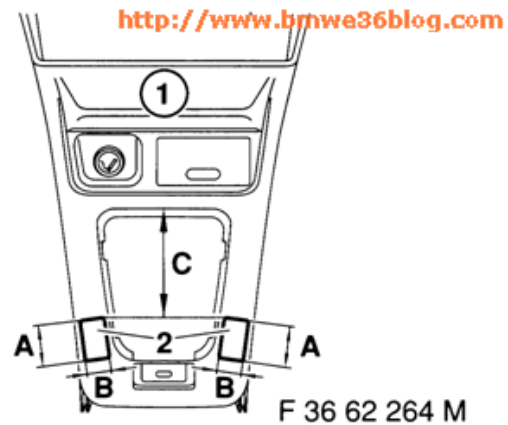
Dimension B: 24mm

Dimension C: 105mm

Install center console (1).

Lay branch **l** through left-hand opening and branch **m** through right-hand opening (2) and connect actuation switches S53 and S54.

Press actuating switches S53 and S54 into opening (2).



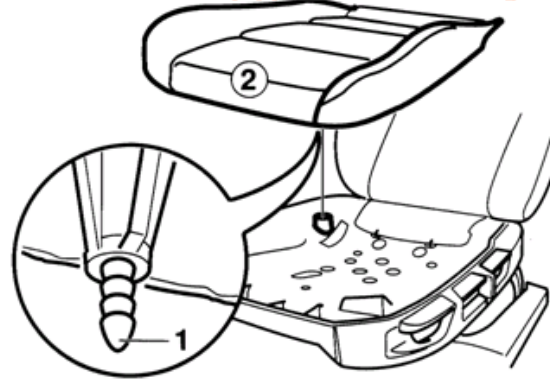
5.1 Installing heating conductors

F 36 51 258 M

Cut off split pins (1) on underside of seat.

Lift out seat cushion (2).

<http://www.bmw36blog.com>



F 36 51 258 M

Installation information

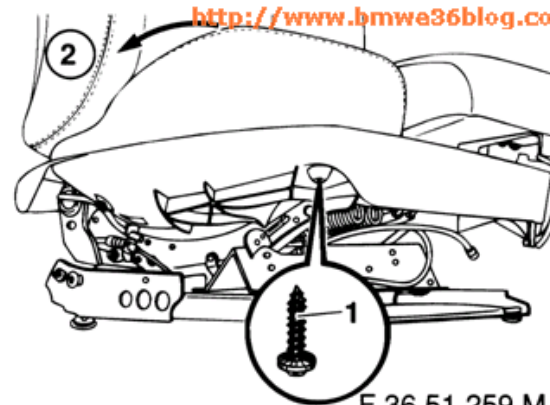
Replace split pins (1) of seat cushion.

F 36 51 259 M

Sport seats only

Remove Torx screws (1).

Tilt backrest (2) in direction of arrow in illustration.



F 36 51 259 M

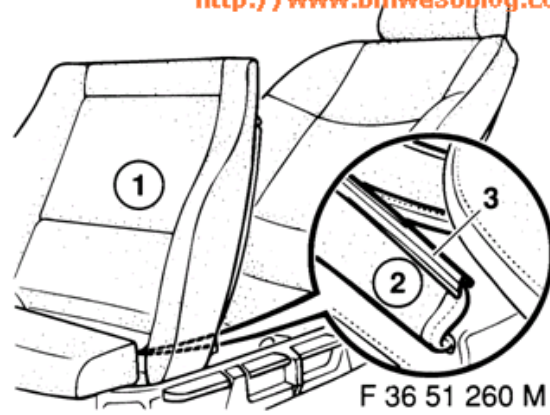
F 36 51 260 M

Lift out seat cushion (1).

Carefully lift out seat cover (2) from connecting strip (3).

Remove seat cushion (1).

<http://www.bmw36blog.com>

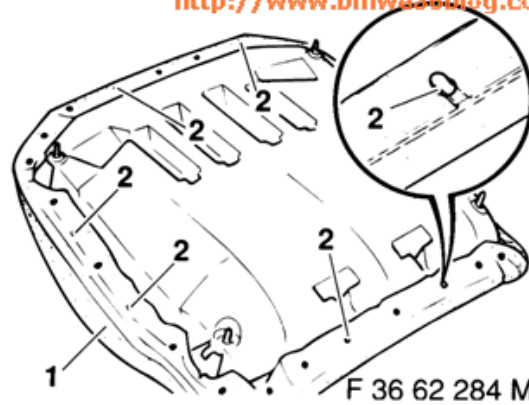


F 36 62 284 M

All models

Release seat cover 91) from tensioning tabs (2).

<http://www.bmw36blog.com>

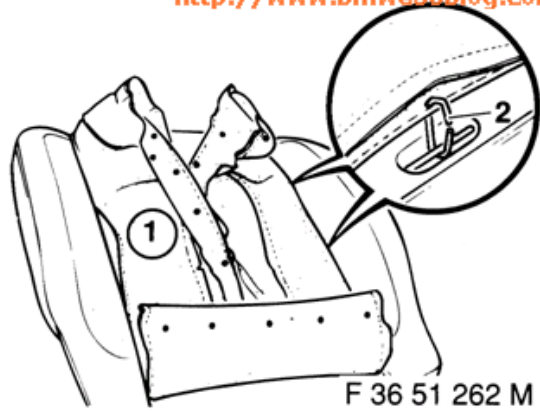


F 36 51 262 M

Fold up seat cover 91) and remove retaining clips (2) of seat cushion.

Remove seat cover (1).

<http://www.bmw36blog.com>



F 36 51 263 M

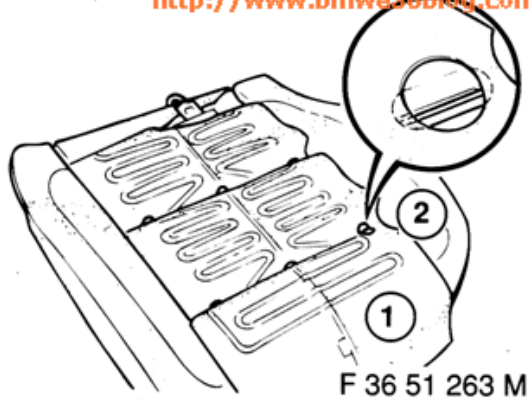
Note

Right-hand and left-hand heating conductors are marked accordingly.

Place corresponding heating conductor (1) on seat cushion (2) as shown in illustration.

Fit seat cover and secure with retaining clips.

<http://www.bmw36blog.com>

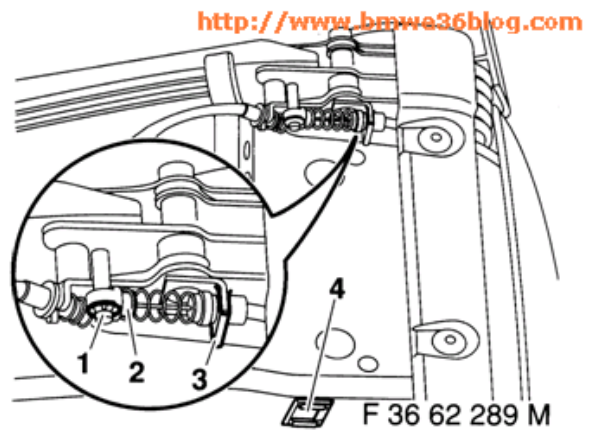


F 36 62 289 M

Remove securing ring (1) and retaining clip (3).

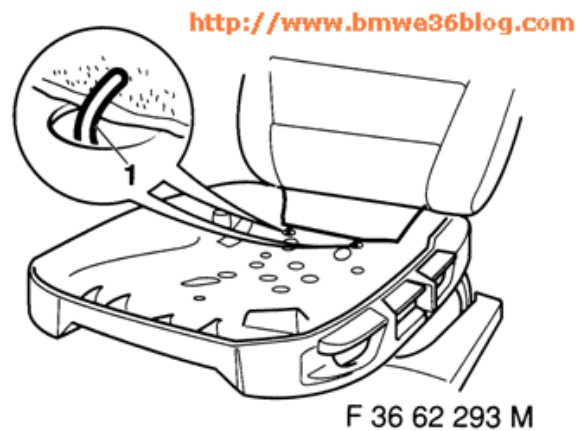
Detach Bowden cable (2).

Secure bracket (4) (from installation kit) as shown in illustration.



F 36 62 293 M

Lever out clips (1).

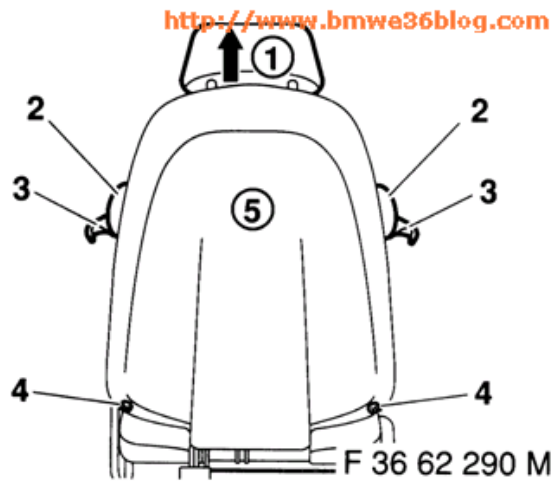


F36 62 290 M

Pull out head restraint (1) in direction of arrow in illustration.

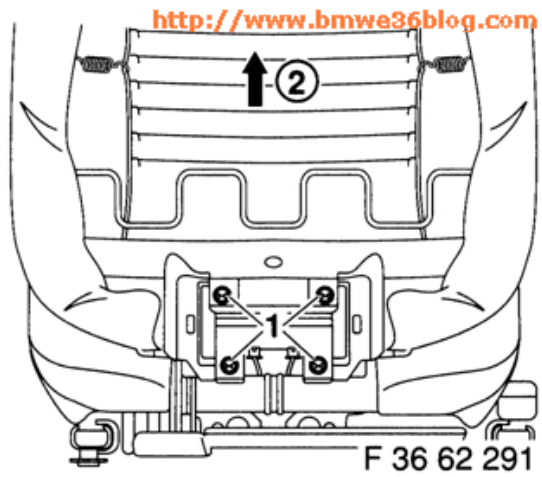
Remove lever (3), unclip cover (2) and remove Torx screws (4).

Remove cover (5).



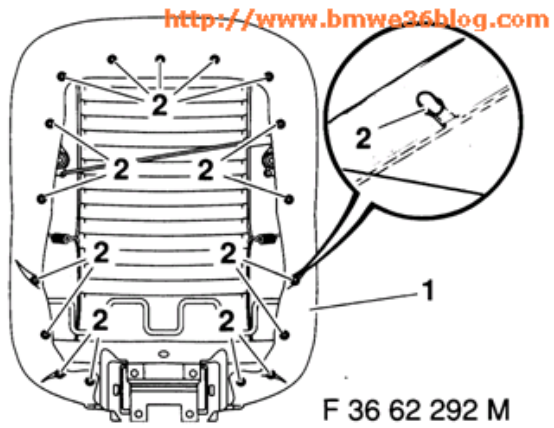
F 36 62 291 M

Remove Torx screws (1) and detach backrest (2) in direction of arrow in illustration.



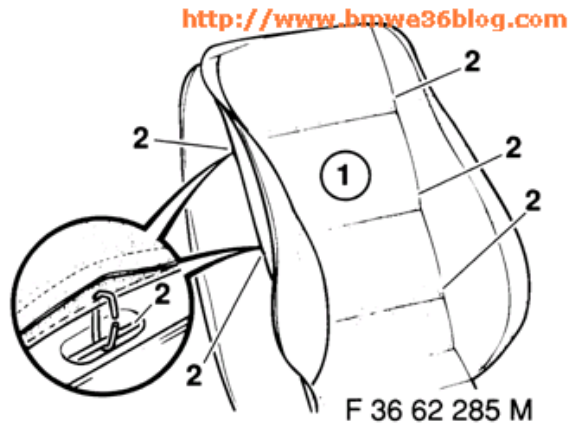
F 36 62 292 M

Release seat cover (1) from tensioning tabs (2).



F 36 62 285 M

Fold up backrest cover (1) and remove fastening clips (2). Remove backrest cover (1).

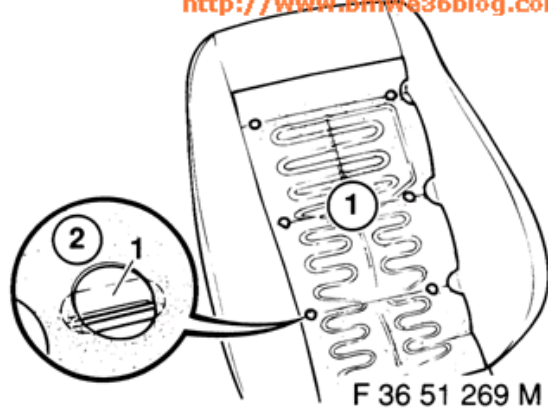


F 36 51 269 M

Place heating conductors (1) on backrest as shown in illustration.

Fit backrest cover (2) and secure with fastening clips.

<http://www.bmw36blog.com>



F 36 51 270 M

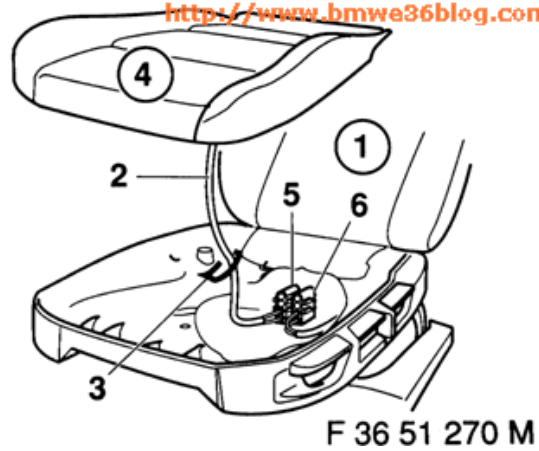
Reinstall backrest 91) in reverse sequence to installation.

Lay cable (2) of backrest (1) and seat cushion (4) through opening (3) of seat base.

Install seat cushion (4).

Secure connectors (5 and 6) to bracket of seat base.

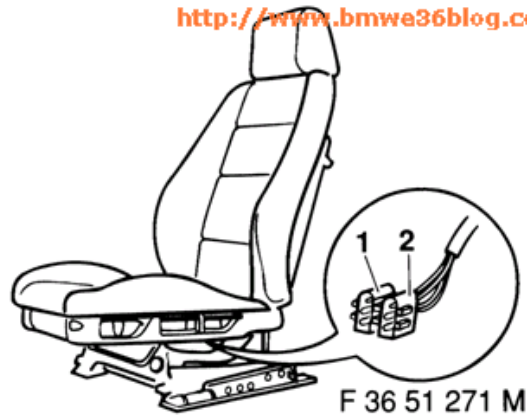
<http://www.bmw36blog.com>



F 36 51 271 M

Plug branches j and k and n and o(1 and 2), black 4-pin connectors, into mating connectors of seat heating of left-hand/right-hand front seats.

<http://www.bmw36blog.com>



Reinstall all removed parts in reverse sequence to removal.

Connect battery and test for correct operation.

Are you looking for more [do it yourself](#) procedures (DIY) ? I recommend the [Bentley](#) BMW 3 series [service manual](#) for you. I got it and I think it's a gold mine for us -BMW E36 Owners-. If you didn't grab your copy yet, get it right now! I'm sure you'll find this book worth every penny you've paid for. Get the [Bentley BMW 3 series service manual](#)

 ShareThis



Want to receive exciting tips & information about BMW E36 cars? Enter your Email:-

Related Posts:-

- [BMW E36 Heated Seats Fixed](#)
- [Miss January 2009 . . . Great!](#)

- [Miss December 2008 . . . Great!](#)
- [Aggressive BMW E36 325 Burnout](#)
- [BMW E36 Collection . . . Cool!](#)

Tags:-

[bmw e36 seat cover](#),[BMW E36 seat heaters](#),[BMW heated seats](#),[BMW-E36](#),[e36 seat cover](#),[heated seats installation](#),[remove seat cover](#),[seat cover](#)

This entry was posted on Thursday, December 21st, 2006 at 11:44 pm and is filed under **Do It Yourself**, **Interior**. You can follow any responses to this entry through the **RSS 2.0** feed. You can **leave a response**, or **trackback** from your own site.

Having A Problem With Your Bimmer?



Use **JustAnswer Service** to get help from a BMW expert now! You can also read my review of this service [here](#).

There are currently 15 responses to “Installing Seat Heaters for BMW E36”

Why not let us know what you think by adding your own comment! Your opinion is as valid as anyone elses, so come on... let us know what you think.

On June 11th, 2007, **Wojtas** said:



Hi,

could you send me part numbers for wires and [heating elements](#).

Regards,

Wojtek

posted on June 11th, 2007 at 2:01 pm

1

On June 11th, 2007, **Tony Sticks** said:



Hi Wojtas,

here are the numbers.

2

Sport seats: 52 11 9 402 814

Standard seats: 52 11 90 402 813

I got them from here if you want to read more <http://forums.bimmerforums.com/forum/archive/index.php/t-19731.html>

posted on June 11th, 2007 at 10:29 pm

On July 22nd, 2007, **Joey Hagedorn | dotcom » Fiberglass Slivers** said:



[...] A helpful how-to detailed some of the steps required, but is focused on retrofit installation of elements rather than replacement. [...]

3

posted on July 22nd, 2007 at 9:37 pm

On August 3rd, 2007, **Brian** said:



Great write up!

Just curious where you found the parts? I have called the local dealership and they could only get the entire seat bottom.

Thanks for any info.

4

posted on August 3rd, 2007 at 12:11 pm

On August 4th, 2007, **Tony Sticks** said:



Brian,

I simply didn't as my car came with heated seats already. I guess finding the parts is the hardest thing about this task. But hey, if you can get a seat with bad condition and get these parts from it. I think this can be very cheap (depending on the seat's condition of course).

5

posted on August 4th, 2007 at 10:15 pm

On September 29th, 2007, **labiel** said:



Great, but my problem is that I have seats with heater conductors but no wiring harness, maybe someone have diagram so I could make my own, or maybe I can buy one?

6

posted on September 29th, 2007 at 3:02 am

On March 16th, 2008, **gatorindelray** said:



I can't see how to remove the side levers. Any suggestions?

7

posted on March 16th, 2008 at 1:43 pm

On March 17th, 2008, **Tony Sticks** said:



Hi Gatorindelray,

8

take a look at **this**. In the first picture, I think the screw number 7 is what you're looking for.

posted on March 17th, 2008 at 5:33 pm

On October 8th, 2008, **Jamie** said:



Does the supplementary wiring harness also supply the power for electric adjustable seats? If not can you offer any advice on wiring electric adjustable seats into a car that doesn't have them?

9

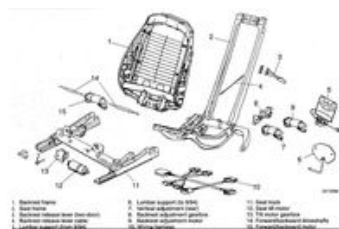
posted on October 8th, 2008 at 6:38 pm

On October 13th, 2008, **Tony Sticks** said:



@Jamie: AFAIK, the answer is yes. Take a look at this picture from the Bentley manual:

10



posted on October 13th, 2008 at 10:46 pm

On January 6th, 2009, **BMW E36 Heated Seats Fixed | BMW E36 Blog** said:



[...] wrote before about Installing BMW E36 Heated Seats and the procedure is straight forward, but it needs some time to accomplish that if you could find [...]

11

posted on January 6th, 2009 at 3:13 pm

On January 6th, 2009, **T** said:

“

Hey,

I got wires going underneighth my seats. I have no idea what they're for but they are original (i.e., not speaker wiring or anything like that. I have a 1999 318is. Any ideas?

12

posted on January 6th, 2009 at 4:43 pm

On January 6th, 2009, **Tony Sticks** said:

“

@T: How many wires/plugs are there? 2 ?

13

posted on January 6th, 2009 at 4:53 pm

On January 7th, 2009, T said:

“

There's a few wires underneath each seat but they're sort of bundled together. They look like they go in to some sort of short tube looking thing. there is one tube thing per seat. where would the heated seats button be? I got the digital climate control.

14

posted on January 7th, 2009 at 4:33 am

On January 7th, 2009, **Tony Sticks** said:

“

@T: The heated seats buttons are located beside the cigarette lighter. Take a look at my car here

heated seats buttons. About the wires that are coming out of the "tube", how many wires are there? If they're 4 wires in 2 groups (2 plugs), then they're most likely to be your heated seats wires. Take a look at this image

15



. Here, there are 3 groups of wires (3 plugs), I guess the small one is for something else that I don't have. But you should find the 2 big ones there if you have heated seats.

posted on January 7th, 2009 at 9:41 am

Leave a Reply

You must be **logged in** to post a comment.

Our Sponsors

Great Stuff

See more products...

[« go back](#)

[Subscribe](#)



The ultimate BMW E36 blog

[Subscribe via Email](#)

[Subscribe to RSS](#)

[Add to Technorati](#)

Current Subscribers

1509 readers
BY FEEDBURNER

[Great Stuff](#)

[up to content »](#)

• Top Posts

• Cleaning BMW E36 Ellipsoid headlights . . . DIY!

(4.86 out of 5)

• Download BMW E36 Owners Manual in English

(4.67 out of 5)

• Turbo Charged BMW E36 318is

(4.38 out of 5)

• What type of oil



What is the size of your E36 engine?

1596 cc / 1.6 Litre

1796 cc / 1.8 Litre

1990

should
I
use
for
my
BMW
E36?
4.23
out
of
5)

Installing
stock
speakers
inside
your
BMW
E36
without
making
any
damages!

4.17
out
of
5)

BMW
On
Board
Computer
(OBC)
secrets!

4.08
out
of
5)

Footwell
light
for

cc / 2.0

Litre

2316

cc / 2.3

Litre

2494

cc / 2.5

Litre

2793

cc / 2.8

Litre

M3

3.0

Litre

M3

3.2

Litre

Other /
Modified

View
Results

Spread
the Word

delicious

digg

technorati

reddit

magnolia

stumbleupon

yahoo

- your BMW E36 ... DIY!
- (4.00 out of 5)
- Reset BMW E36 oil service light
- (3.86 out of 5)
- BMW E36 Fuse Box / Relay Layout
- (3.86 out of 5)
- Cleaning E36 ICV (Idle Control Valve) ... DIY!



Blogroll

- Bluecasting
- Bluetooth Advertising
- Bluetooth Marketing
- Free Browsers
- PDF Toolkit
- Proximity Marketing
- Web Browser
- Car Insurance
- Drive safer with Aquapel.
- Number Plates
- Riverside Volkswagen
- Charity Car Donations

E36 Community



You!
Join Our Community



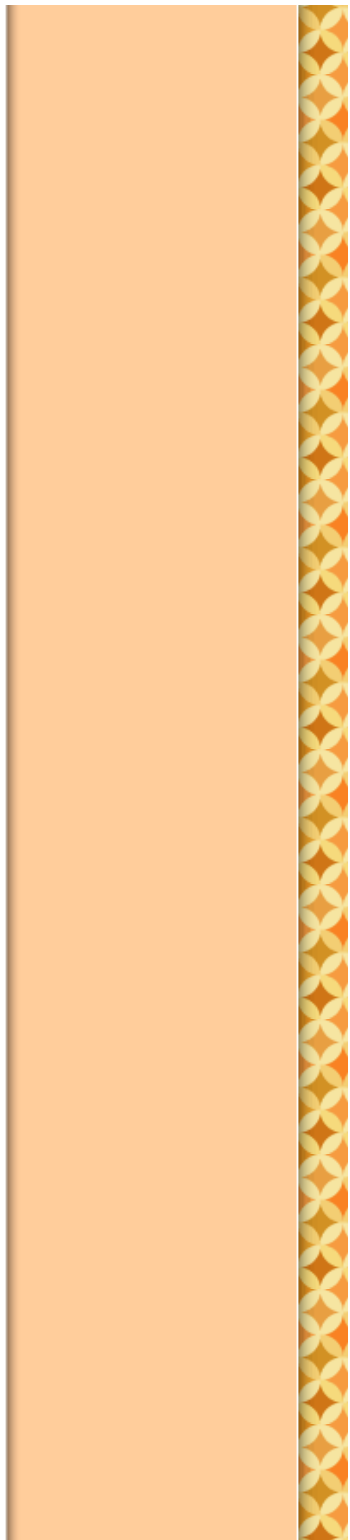
Ruth R



Zachary



Chaz





318iSteve

[View Reader Community](#)

[Join this Community](#)

(provided by MyBlogLog)

Meta

[Subscribe](#)

[Log in](#)

Archives

[January 2009](#)

[December 2008](#)

[November 2008](#)

[October 2008](#)

[September 2008](#)

[August 2008](#)

[July 2008](#)

[June 2008](#)

[May 2008](#)

[April 2008](#)

[March 2008](#)

[February 2008](#)

[January 2008](#)

[December 2007](#)

[November 2007](#)

(3.67 out of 5)

Latest Posts

Miss January 2009 . . . Great!

BMW E36 Heated Seats Fixed

Miss December 2008 . . . Great!

Aggressive BMW E36 325 Burnout

BMW E36 Collection . . . Cool!

BMW E36 318is Drift . . . Awesome!

BMW E36 M3 Brake Light Switch Replacement . . . DIY

BMW E36 325 Show Car

• BMW
E36
M3
Burnout
Show

• EBay
Illuminated
Shift
Knob
...
Very
nice

• Forum
Posts

• One
mans
scrap
is
another
mans
little
dixy!!!
[Feb
04,
2010]

• Air
Conditioner
[Feb
04,
2010]

• 316
gearbox
issue
[Feb
03,
2010]

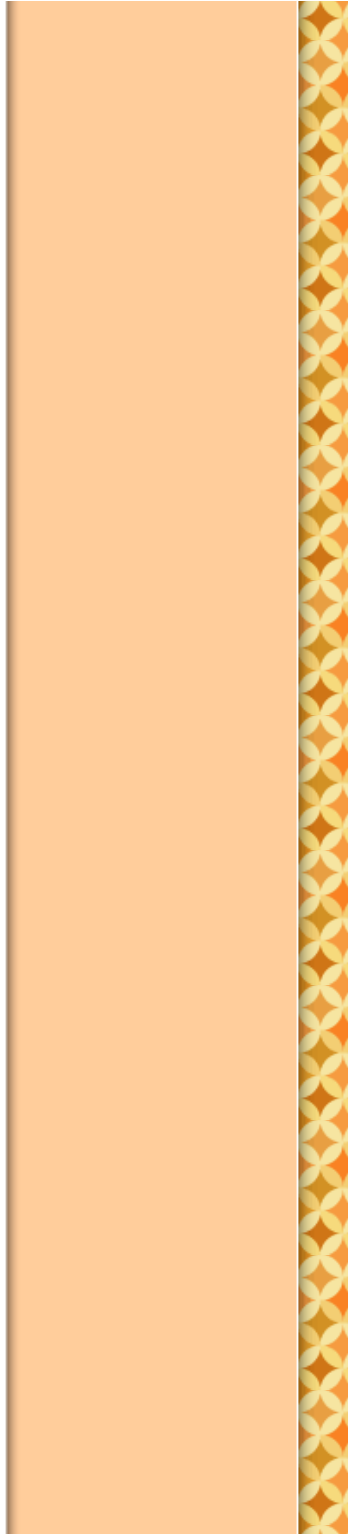
• 1998
E36
M3
Evo,
Clutch
Pressure
Problem
[Feb
02,
2010]

• my

- October 2007
- September 2007
- August 2007
- July 2007
- June 2007
- May 2007
- April 2007
- March 2007
- February 2007
- January 2007
- December 2006

316stopped
runnin
[Feb
02,
2010]

- Convertible
top
question
98
E36
(Automatic
Top)
[Feb
02,
2010]
- window
regulator
[Feb
01,
2010]
- how
do
I
get
rid
of
the
jerking
on
my
car.
[Jan
31,
2010]
- Building
a
M3
rep,
can
i
have
some
help
please??
[Jan
30,
2010]
- AC
fan
motor
resistor



replacement

[Jan
30,
2010]

• **Calendar**

• December

2006

M	T	W	T	F	S	S
					<u>Jan</u> »	
			1	2	3	
4	5	6	7	8	9	10
11	12	<u>13</u>	14	<u>15</u>	16	17
<u>18</u>	<u>19</u>	<u>20</u>	<u>21</u>	<u>22</u>	<u>23</u>	24
<u>25</u>	<u>26</u>	27	<u>28</u>	29	30	<u>31</u>

• **Categories**

• **Audio**

(9)

• **Brakes**

(5)

• **Cooling**

System

(8)

• **Do**

It

Yourself

(43)

• **Driving**

Tips

(3)

• **E36**

M3

(31)

• **Electrical**

(40)

• **Engine**

(15)

• **Exterior**

(56)

- [run](#)
(50)
- [Interior](#)
(47)
- [Models](#)
(23)
- [Motorsport](#)
(8)
- [Performance](#)
(15)
- [Photos](#)
(94)
- [Super Cars](#)
(11)
- [Technical Info](#)
(91)
- [Tips & Tricks](#)
(141)
- [Uncategorized](#)
(269)
- [Videos](#)
(124)

© 2006 BMW E36 Blog.

Browse The Web Smarter ... Use Smart Bro Free Web Browser

[Bluetooth Marketing Solution](#), [Mozone PDF Toolkit](#), [Bluetooth Advertising Solution](#), [Proximity Marketing Solution](#)