

### Active charcoal filter

An active charcoal filter (34, Art.-No. 6108ER) for removing odours is available. Take it out of the packaging just before fitting and put it in place of the exhaust microfilter (31). Change it when its effect starts to decrease.

### Safety shut off

If the machine will not work despite the **green** light (22) being on, it has switched off to prevent the motor overheating. In this case switch off and unplug the machine. After approximately 30 minutes the machine can be operated again. Before operating, the cause of overheating must be found – full bag, clogged filters or blockage – and rectified.

### Clearing blockages

Clear blockages in the hose by fitting it into the suction opening (2) the wrong way round and repeatedly closing the free end with your hand

### Never use a stick to clear the hose.

Clear the telescopic tube the same way. Here a stick could be used. Always ensure that the filters are not clogged.

### CAUTION – Safety advice

#### This is an electrical appliance.

#### Disconnect from mains before changing bag or filters.

- only connect to mains outlets which correspond with the data label in the attachment compartment,
- do not expose to liquid or moisture,
- vacuum dry surfaces only,
- the hose and handle contain electrical parts,
- children must be strictly supervised,
- do not vacuum hot material such as ash,
- do not vacuum humans or animals,
- no user serviceable internal parts,
- only use genuine SEBO replacement items,
- do not wash filters,
- do not re-use bags,
- pull out cable fully for prolonged use.

The warranty will be invalidated if the above advice is ignored.  
IT IS THE USERS RESPONSIBILITY TO OPERATE THIS APPLIANCE SAFELY AND CAREFULLY



Diese Informationen sind nur für Europa bestimmt (230 V) und gelten nicht für Nordamerika!  
This information intended only for Europe (230 V) and does not apply to North America!

# SEBO *air belt* C3.1

High filtration vacuum cleaner  
with Side Impact Protection

**CAUTION - Always switch off and unplug the machine before changing the bag, filters etc.**

### Changing the bag

The orange bag light (25) indicates that there is a reduced air flow. This is caused either by a full paper bag, or a blockage in the telescopic tube, the handle, or the hose of the machine. (To clear, refer to the blockage section.)

The nature of the contents of the bag will effect the point at which it needs changing. Fine dust may require an earlier change even though the bag is not full. Fluff or hair lets air pass through easily, so the bag may overflow without the orange light operating.

To change the bag, put the machine upright and lift the flap (26). Follow the diagrams on the bag to change the old bag fore a new one. Please ensure that the bag top (27) is located properly on both sides of the holder (28) and pushed in until it locks. The cover (29) can only be closed with a properly attached paper bag.

The used paper bag can be sealed with a cap which is included with each bag in the SEBO Filterbox and C-Service-Box (Art.No. 5093ER and 6198ER).

**Do not re-use the paper bags.**

### Changing the filters

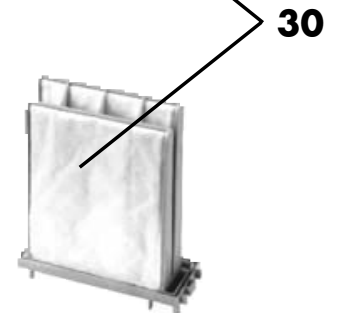
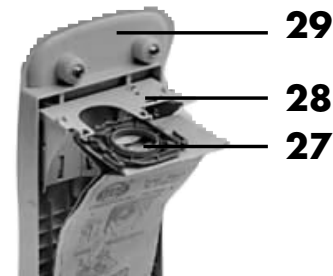
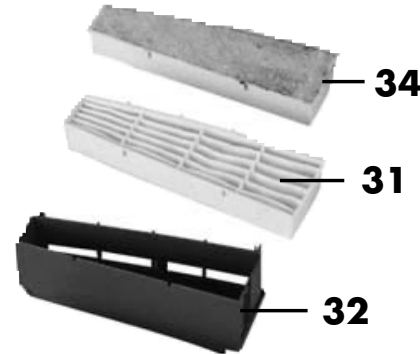
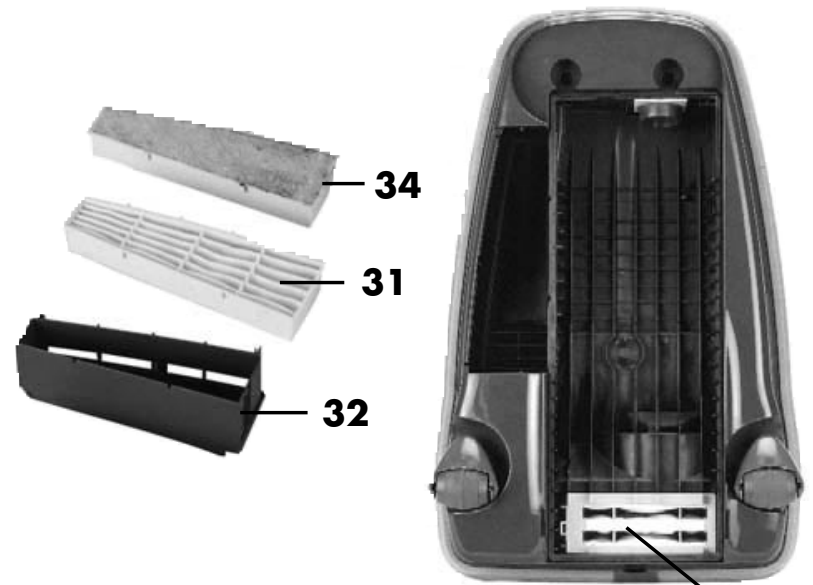
The SEBO *air belt* C3.1 has a unique combination of two microfilters, a Hospital Grade microfilter in front of the motor and one in the exhaust (30, Art.-No. 6191ER and 31, 6033ER). They are also available with ten paper bags in the SEBO Service-Box-C2/C3 (Art.-No. 6198ER).

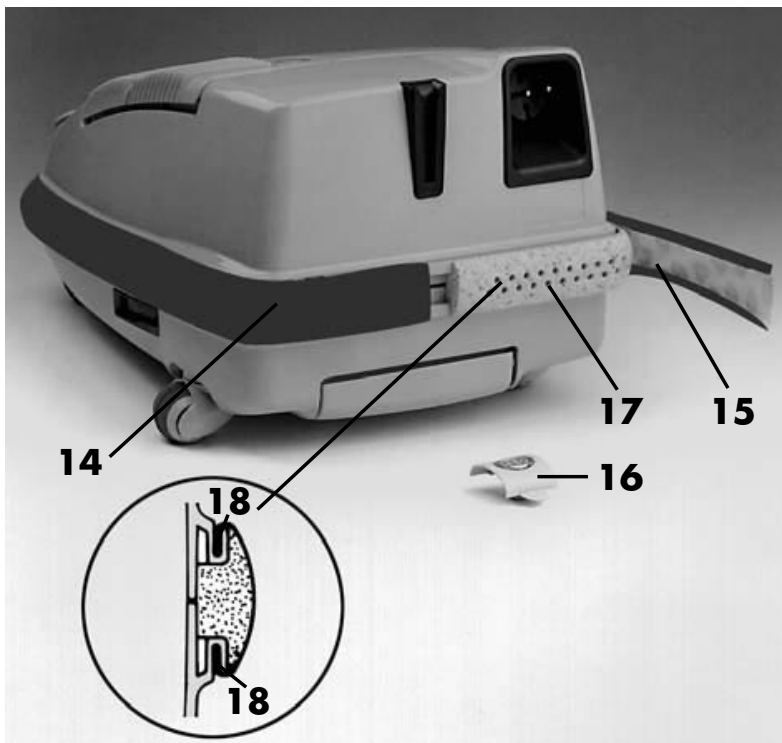
Both filters are recommended to be changed together. This would normally be after the use of between 10 and 20 paper bags. Or when a significant drop of suction is noticed, e.g. after a damaged bag.

After opening the cover the Hospital Grade microfilter can just be pulled out. The exhaust microfilter is located in the microfilter holder which can be pulled out. Check both microfilters regularly.

**Never operate the machine with incorrectly attached filters or without filters, bag, air belt or bag cover (29).**

**The filters must not be washed..**





## The SEBO air belt

Your SEBO cylinder vacuum cleaner has a unique soft bumper (14) which protects your walls and furniture. The microfiltered exhaust air is dissipated round the *air belt*.

The air belt can easily be changed. Take the clip (16) off and remove the textile cover (15). The foam part (17) stays on the machine.

To fit the new *air belt*, slot the side rails into the grooves (18). Start at the back and proceed round the machine. Secure the ends with the clip (16).

**Never operate the machine without an *air belt* (15).**

## Using the machine

Before connecting the plug, pull the cable (19) fully out. The cable rewind is operated by the rewind button (20). Before rewinding the cable always switch off and unplug the machine. The main switch (21) turns the machine on, indicated by the green light (22). The machine can be switched to standby mode with the power adjustment slider (23). The **green** light will stay on until the machine is switched off at the main switch (21). The standby mode is for short interruptions. For longer interruptions, always turn off at the main switch and unplug.

For optimal carpet cleaning the machine can be used with power brush. The plug contacts to the socket (24) and fits to the neck of the hose.

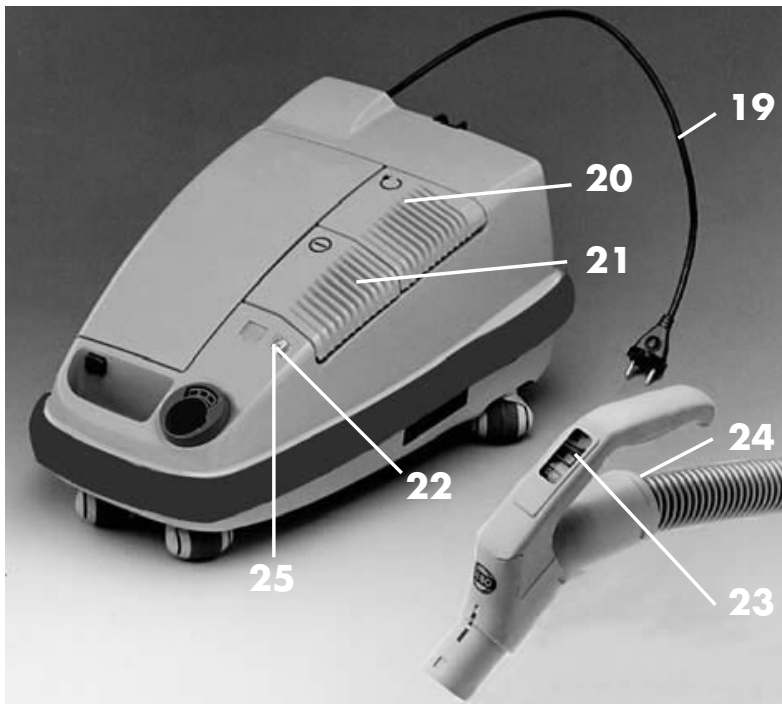
**Suitable for SEBO power brushes only.**

## Bag light (orange)

The **orange** bag light (25) indicates a full bag or blockage in the hose or tube. The light only works correctly at full power, at lower, power levels the bag light might indicate incorrectly. Check status regularly at full power.

## SEBO ET-H Power Head (optional attachment)

The ET-H Power head on the SEBO *air belt* C3.1 delivers all the cleaning effectiveness SEBO customers have come to expect but with a patented new design, offering dual edge-cleaning and a manual brush control for optimal cleaning from one type of flooring to another. As with other SEBO products the ET-H is electronically protected and virtually maintenance-free. The steering mechanism built into the swivel neck helps you to clean easily around obstructions.



# SEBO *air belt* C3.1

Please read this instruction manual before assembling the vacuum cleaner and keep it in the attachment compartment for reference.

## Pay attention to the safety advice.

Your SEBO cylinder vacuum cleaner is designed and made in Germany to the highest technical standards. Microfilters provide high filtration. It is efficient and ergonomic. It anticipates the future and is upgradeable. It follows easily and gives effective furniture protection. The advanced design of the handle with built in power control combines comfort with practicality.

## Assembling the vacuum cleaner

In the box you will find the machine, the hose with handle, the telescopic tube and the combination nozzle.

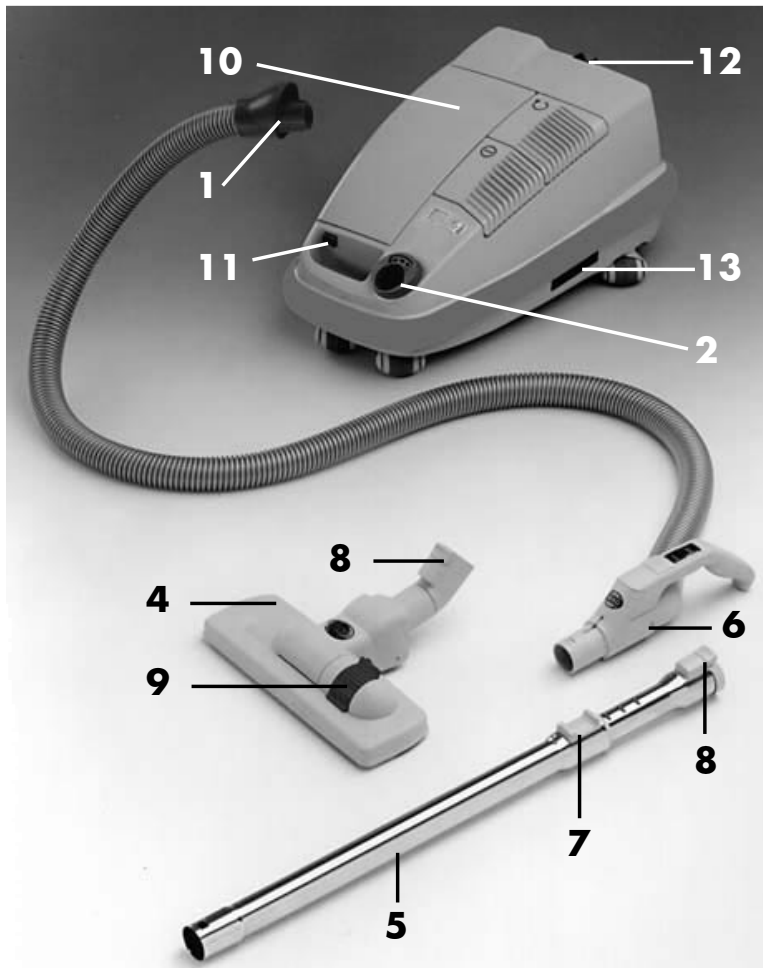
Push the neck (1) of the hose into the suction opening (2) of the vacuum. It fits only in one position. Fit the combination nozzle (4) and the handle (6) to the appropriate ends of the telescopic tube (5). Ensure the locking catches are located in the holes in the tubes.

## Telescopic tube, attachments and combination nozzle

To adjust the telescopic tube (5) use the slide button (7). The catches (8) release the handle and combination nozzle. The latter can be adjusted for carpet and hard floor with the pedal (9).

To open the attachment compartment (10) press the button in the carrying handle recess (11). The attachments fit both the handle (6) and the telescopic tube (5).

When the machine is horizontal the telescopic tube with combination nozzle can be parked in the groove (12) at the back of the machine. When vertical, use the side groove (13).



### Technical Data

Motor:	1500 W max	Filter bag	5.3 litres
	1200 W average	Protection	Double insulated
Air flow	86 litres/sec	Operating	
Air Watts	520	range	11 metres



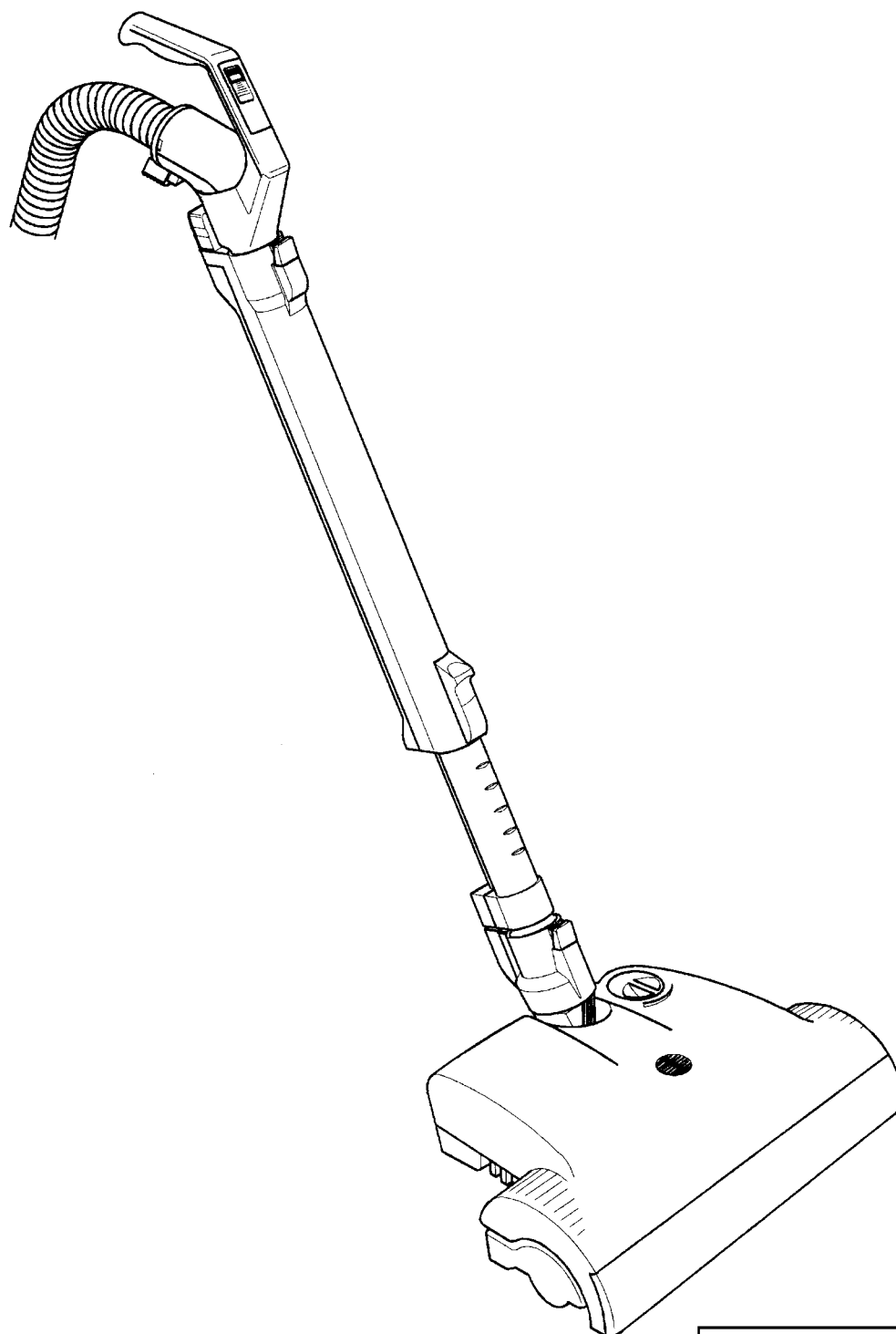
### SEBO (UK) Ltd

High Wycombe, Bucks HP12 3QL

Tel: (0 14 94) 46 55 33

Fax: (0 14 94) 46 10 44

# Electric power brush ET-H

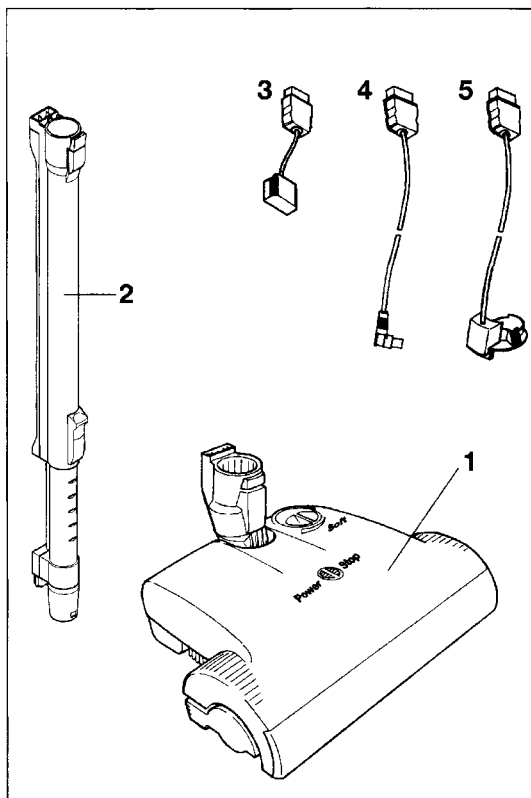


**Diese Informationen sind nur für Europa bestimmt (230 V) und gelten nicht für Nordamerika!  
This information intended only for Europe (230 V) and does not apply to North America!**

# Instruction manual for SEBO electric power brush ET-H

Please read this instruction manual carefully before using this appliance and pay attention to all safety advice.

Your SEBO electric power brush ET-H is made to give you excellent performance and long life. Carpets are only cleaned hygienically and keep their good appearance when brushed thoroughly during vacuum cleaning. The SEBO electric power brush in combination with a SEBO *air belt* C cylinder vacuum cleaner provides you with the best aid for good carpet care.



## Box contents

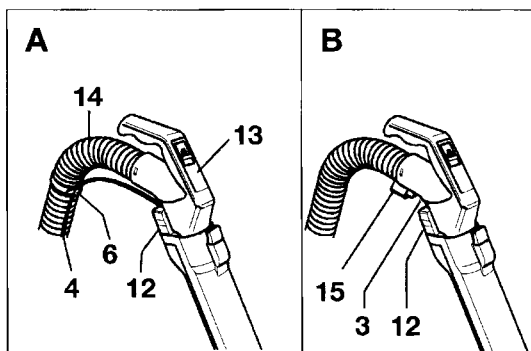
The electric power brush (1), the electric telescopic tube (2), the cable (3-5) and for cable (4 and 5) six cable clips (6).

Cable (3) for Sebo air belt C3.1  
Cable (4) for Sebo air belt C1 and C3  
Cable (5) for Sebo air belt C2 and C2.1

## Installing the cable

### A For SEBO *air belt* C1 and C3

The cable (4) to the vacuum cleaner has a plug (12) which fits underneath the handle (13) and one to plug into the vacuum cleaner. Fix the cable with the cable clips (6) in equal distances along the hose (14). The cable is longer than the hose to maintain its elasticity.

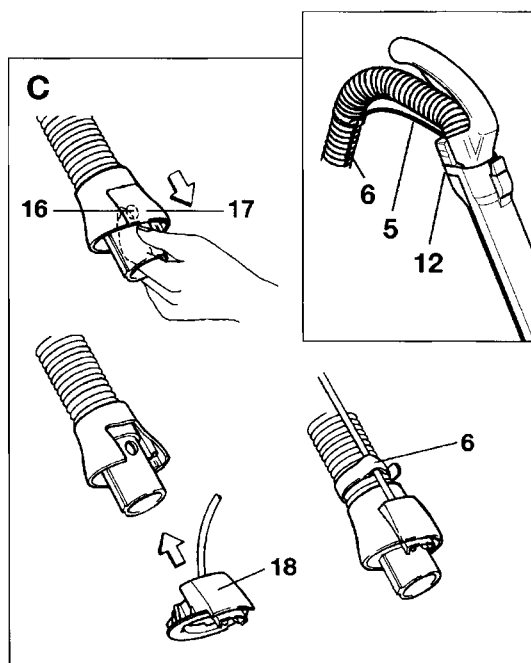


### B For SEBO *air belt* C3.1 only

Fit one cable plug (12) into the grooves on the bottom of the handle and push the opposite plug (15) onto the contact holder in the hose neck.

### C For SEBO *air belt* C2 and C2.1

1. Push the cover release button (16) on the inside of the hose neck and pull off the sealing cover (17).
2. Push the male contact holder (18) onto the hose neck until it clicks into place.
3. Fit the cable plug into the grooves on the bottom of the handle and fix the cable to the hose with the fasteners (6), as described under A.

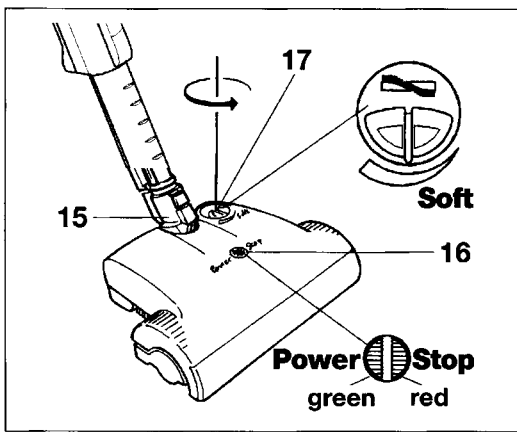


## How to connect and use

Your SEBO electric power brush ET-H is made to be used together with the SEBO *air belt* C cylinder vacuum cleaner. To prevent damage the vacuum must be switched on and provide enough air-flow through the power brush. Only in this case will the cleaning result be satisfactory.

We recommend using the maximum suction power level.

If you are uncertain or if you have any questions, your dealer will be glad to help you, or telephone



## Use

### 1. Indicator light

On top of the power brush is a red/green indicator light. If the green light is on and the swivel neck is in the upright position, then the power brush is ready for operation. By lowering the swivel neck the brush is activated. Please ensure that the vacuum cleaner is set to maximum power.

Green and red lights on together indicate security shut down because of either overload or blockage.

### 2. Brush adjustment

On top of the power brush there is a rotary control to adjust brush action. Brush action can be set from SOFT through to HARD as appropriate.

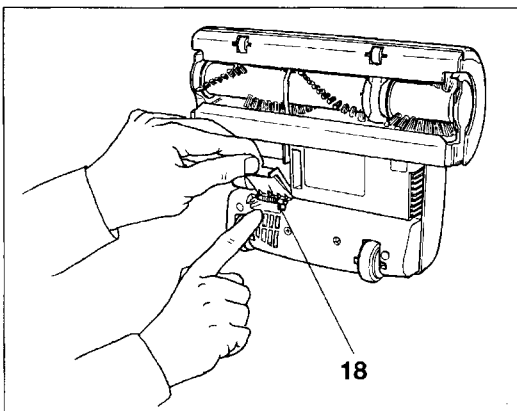
#### Attention - safety advice for connection:

- connect only to outlets according to data shown on labels
- mains voltage for both machines must be the same
- the vacuum cleaner must be switched on and provide air-flow through the power brush
- the cable must be fixed along the hose and be plugged into the vacuum

#### Attention - safety advice for use:

- the machine has a rotating brush
- always take care that the brush does not pull in rug edges, fringes, cables etc.
- Berber, woven and other delicate floorcoverings or floors with delicate surfaces please clean with the combination nozzle of your vacuum cleaner
- on uneven floors contact with the bottom plate is possible. Use combination nozzle if damage may occur
- lift the machine over obstacles

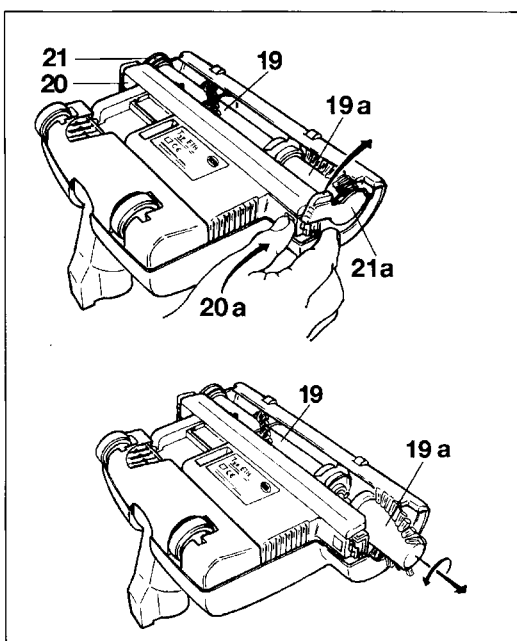
**ATTENTION - switch off and unplug machine at the mains outlet and from the vacuum before all service work and before removing any part.**



#### Clearing a blockage (-unplug the vacuum cleaner at the mains outlet)

If the brush is not functioning correctly it may be blocked. A red trap door is provided on the underside of the power brush to aid blockage clearing.

To clear a blockage in the swivel neck push the obstruction down the neck with a stick or long screwdriver and then remove it through the red trap door



#### Changing the brush roller (-unplug the vacuum cleaner at the mains outlet)

To change either the brush roller (19) or the edge-cleaning brush (19a), push the button (20 or 20a), swivel the end caps in the direction of the arrows and pull them off.

Turn the brush roller clockwise and the edge-cleaning brush anti-clockwise when removing them from the appliance. Fit the new brushes onto the drive shaft by turning them until they click into position. Also to refit the end caps turn them until they click into position. Make sure not to squeeze the bristles of the brushes under the end caps.

#### Service - ( unplug the vacuum cleaner at the mains outlet)

The brush should be cleaned of fibres and hair regularly. After a blockage or when the brush has pulled in something, clear the brush and take all debris out of the brush area. Check the swivel neck regularly for blockages. Do not open the machine.

### **CAUTION - general safety advice**

- use this appliance only in combination with a SEBO vacuum cleaner
- pay attention to this and the manual of the vacuum cleaner
- keep the manual
- disconnect from mains before changing the brush strip or any service work
- electrical appliance, keep away from liquid or moisture
- vacuum dry surfaces only
- do not try to use on any body parts, human or animal
- do not vacuum hot material such as ash
- do not connect to a malfunctioning or damaged machine
- after security shut off, first switch off, then disconnect from mains and service the appliance
- do not remove any screws
- no user serviceable parts inside the machine
- if the cable is damaged use only a genuine SEBO replacement
- use of non SEBO parts could be dangerous

### **THIS APPLIANCE HAS A ROTATING BRUSH:**

- do not run over any cables
- do not leave unattended
- children must be strictly supervised

**The warranty will be invalidated if the above advice is ignored**

**IT IS THE USERS RESPONSIBILITY TO OPERATE THIS APPLIANCE SAFELY AND CAREFULLY**

## **Technical details**

Brush motor .....	150 Watt
Brush width .....	290 mm
Brush roller .....	replaceable
Brush drive .....	toothed belt with electronic overload protection
Width .....	297 mm
Weight .....	2,1 kg
Protection .....	double insulated
Radio suppression. ....	to CISPR



**SEBO (UK) LTD**  
CRESSEX BUSINESS PARK  
HIGH WYCOMBE  
BUCKS HP 12 3QL  
TEL (0 14 94) 46 55 33  
FAX (0 14 94) 46 10 44