

# ***POWER SPORT***<sup>TM</sup>

## **Operator's Manual**

**LH195EA/XA (H30-40)**

**LH318EA/XA (HM80-90)**

**LH358EA/XA (HM100)**

**OH195EA/EP/XA/XP (OHH50-65)**

**OH318EA/XA (OHM90-110)**

Four-Cycle Engine • Horizontal Crankshaft • Air-Cooled

### **Table of Contents**

IMPORTANT NOTICE! Safety Definitions .....	ii
I. General Safety Precautions .....	1
II. How to Get Service .....	4
III. Oil and Fuel Specifications .....	5
IV. Before Starting Your Engine .....	6
V. Starting Your Engine.....	10
VI. Stopping Your Engine and Short-Term Storage.....	18
VII. Transporting Your Recreational Vehicle .....	18
VIII. Maintenance.....	18
IX. Storing Your Engine.....	25
X. Preventing Forest, Brush and Grass Fires .....	27
XI. Maintenance Intervals .....	28
California & US EPA Emission Control Warranty Statement .....	36
Emission Control System Warranty.....	37
XII. Warranty Information.....	38

Visit our web site at **[www.TecumsehPower.com](http://www.TecumsehPower.com)**

- ◆ Register Your TecumsehPower Engine
- ◆ Maintenance Tips
- ◆ On-Line Store
- ◆ Locate your nearest TecumsehPower Servicing Dealer

**LOG ON!**

**181-1269-14**  
**(English) 7/01/08**

## IMPORTANT NOTICE!

### Safety Definitions

Statements in this manual preceded by the following words and graphics are of special significance:

#### WARNING

Or

#### WARNING

WARNING indicates a potentially hazardous situation which if NOT avoided, could result in death or serious injury.

#### CAUTION

Indicates a potentially hazardous situation which, if NOT avoided, may result in minor or moderate injury.

#### CAUTION

Indicates a potential situation which, if NOT avoided, could result in equipment or property damage.

#### NOTE

*Refers to important information and is placed in italic type.*

It is recommended that you take special notice of all items discussed on the next three pages and wear the appropriate safety equipment.

Before operating this engine *it is your responsibility* to read this Operator's Manual. Follow these basic rules for your personal safety:

- Keep this manual handy at all times for future reference.
- Read it carefully and familiarize yourself with operating, maintenance, components and safety instructions.

### Notice Regarding Emissions

#### NOTE

*Engines which are certified to comply with California and U.S. EPA emission regulations for SORE (Small Off Road Equipment), are certified to operate on regular unleaded gasoline, and may include the following emission control systems: (EM) Engine Modification and (TWC) Three-way Catalyst (if so equipped).*

The trademarks TECUMSEH® and the DESIGN (Native American Head logo) are registered trademarks of Tecumseh Products Company and are used by TecumsehPower Company under license from Tecumseh Products Company. TecumsehPower Company is no longer owned by Tecumseh Products Company nor is it associated or affiliated in any way with Tecumseh Products Company.

©Copyright 2006, 2008

TecumsehPower Company

All Rights Reserved

### TecumsehPower Contact Information

For engine adjustments, repairs or warranty service NOT covered in this manual, contact your nearest Authorized TecumsehPower Servicing Dealer. Find them on our website at [www.TecumsehPower.com](http://www.TecumsehPower.com) or call TecumsehPower Company at 1-800-558-5402 for additional information.

### Use This Engine Only in Approved Applications

Power Sport engines are designed specifically for non-competitive recreational vehicle applications such as fun-karts, mini-bikes and ATV's. This engine is NOT designed or approved for aircraft, go-peds or any racing applications. Since not all applications of this engine can be anticipated, contact your nearest Authorized TecumsehPower Servicing Dealer. Find them on our website at [www.TecumsehPower.com](http://www.TecumsehPower.com) or call TecumsehPower Company at 1-800-558-5402 for more information or if you have questions about a particular application.

#### WARNING

Use of this Power Sport engine in non-approved applications may lead to serious injury or death.

### Special Information for Users Installing an Engine

#### WARNING

If you purchased this engine separately with the intention of installing it on a recreational vehicle, ensure that the vehicle is designed or is retrofitted to be used specifically with this Power Sport engine. If you use an improper, non-approved and/or wrong sized engine, there is a potential for serious injury or death from:

- Operation at unsafe speeds or a runaway vehicle.
- Improper fit and operation of guards, electrical wiring, throttle cable, clutch, torque converter, etc.

### Engine Model Applications

This manual applies to the following Power Sport engine models:

- LH318XA, LH358XA
- OH195EA/OH195EP/OH195XA/OH195XP
- OH318EA/OH318XA

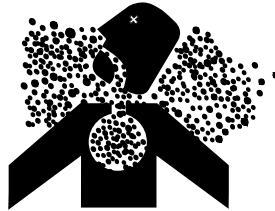
## I. General Safety Precautions

### **WARNING**

Read equipment manufacturer's manual and this material thoroughly before using this engine. Failure to do so can result in serious injury or death. Consult your local Authorized TecumsehPower Servicing Dealer, call 1-800-558-5402, or go to [www.TecumsehPower.com](http://www.TecumsehPower.com) for additional information.

### A. Avoid Carbon Monoxide Poisoning

All engine exhaust contains carbon monoxide, a deadly gas. Breathing carbon monoxide can cause headaches, dizziness, drowsiness, nausea, confusion and eventually death.



Carbon monoxide is a colorless, odorless, tasteless gas which may be present even if you DO NOT see or smell any engine exhaust. Deadly levels of carbon monoxide can collect rapidly and you can quickly be overcome and unable to save yourself. Also, deadly levels of carbon monoxide can linger for hours or days in enclosed or poorly-ventilated areas. If you experience any symptoms of carbon monoxide poisoning, leave the area immediately, get fresh air, and **SEEK MEDICAL TREATMENT**.

To prevent serious injury or death from carbon monoxide:

- NEVER run engine indoors. Even if you try to ventilate engine exhaust with fans or open windows and doors, carbon monoxide can rapidly reach dangerous levels.
- NEVER run engine in poorly-ventilated or partially enclosed areas such as barns, garages, basements, carports, under dwellings, or in pits.
- NEVER run engine outdoors where engine exhaust can be drawn into a building through openings such as windows and doors.

### B. Avoid Gasoline Fires

Gasoline (fuel) vapors are highly flammable and can explode. Fuel vapors can spread and be ignited by a spark or flame many feet away from engine. To prevent injury or death from fuel fires, follow these instructions:



- NEVER store engine with fuel in fuel tank inside a building with potential sources of ignition such as hot water and space heaters, clothes dryers, electric motors, etc.
- NEVER remove fuel fill cap or add fuel when engine is running.
- NEVER start or operate the engine with the fuel fill cap removed.
- Allow engine to cool before refueling.
- NEVER fill fuel tank indoors. Fill fuel tank outdoors in a well-ventilated area.
- DO NOT smoke while refueling tank.
- Use only an approved red GASOLINE container to store and dispense fuel. TecumsehPower Company recommends purchasing gasoline in containers with a capacity of 2.5 gallons or less. Small containers are easier to handle and help eliminate spillage during refueling.
- DO NOT pour fuel from engine or siphon fuel by mouth. To empty the fuel tank, see "I. Draining Fuel" instructions on page 26.

## C. Adult Supervision of Operation, Refueling and Maintenance

The manufacturer of the recreational vehicle may provide information about who is allowed to operate or ride in the vehicle (see equipment manufacturer's manual). NOT everyone who is allowed to operate or ride in the vehicle is capable of safely and responsibly operating, maintaining and/or fueling this Power Sport engine. TecumsehPower Company recommends the following:

- An adult should fuel this engine. NEVER allow children to refuel this engine. See "D. Filling Fuel Tank" instructions on page 8.
- An adult should perform maintenance on this engine. See "VIII. Maintenance" instructions on page 18. Only allow children to perform maintenance if an adult has determined they are experienced and capable of such operation.
- An adult should start the engine. See "G. Avoid Accidental Starts" instructions on page 3 and "A. Engine Pre-Ride Checklist" instructions on page 6. Only allow children to start the engine if an adult has determined they are experienced and capable of such operation.
- To avoid unsupervised operation of the recreational vehicle, especially by children, NEVER leave the engine unattended when it is running.

## D. Stay Away from Rotating Parts

NEVER operate the engine with an unguarded engine shaft or flywheel. See Figures 1 and 2.

The equipment manufacturer may attach a sprocket and chain or pulley and belt to the engine shaft. If these parts are NOT properly guarded, or if you are NOT sure whether they are properly guarded, DO NOT use your recreational vehicle; contact the equipment manufacturer. Hands, feet, hair, jewelry, clothing, etc. can become entangled in rotating parts, leading to serious injury or death. To avoid serious injury or death, be sure the flywheel guard is in place. See Figures 1 and 2.



## E. DO NOT Modify Engine

To avoid serious injury or death, DO NOT modify engine in any way. Tampering with the governor setting can lead to a runaway vehicle and cause the engine to operate at unsafe speeds. NEVER tamper with factory setting of engine governor.

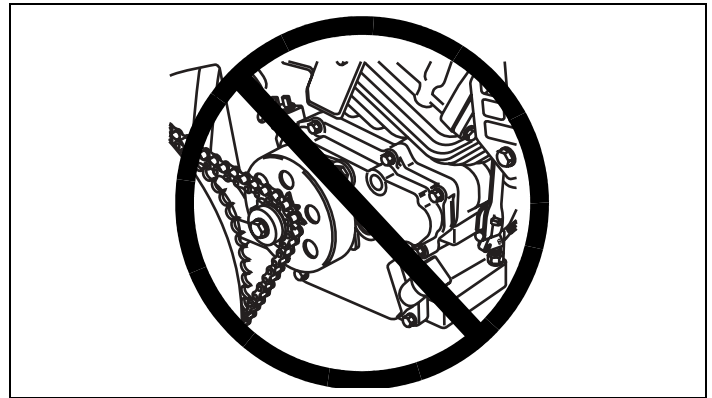


Figure 1. DO NOT use Without Engine Shaft Guard

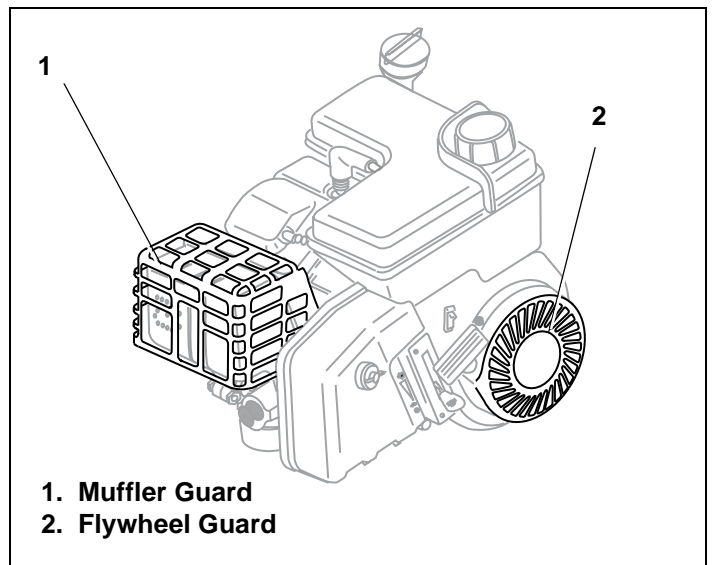


Figure 2. Typical Engine Guard Locations

## F. Avoid Burns and Fire from Hot Surfaces

The muffler and other engine parts become extremely hot during operation and remain hot after the engine has stopped.

- To avoid severe burns on contact, STAY AWAY from hot areas of engine. DO NOT operate the engine without the muffler guard in place, if equipped. See Figure 2.
- To reduce the risk of fire keep all materials that can burn, including grass and leaves, away from muffler and rest of engine. DO NOT operate, idle or park engine powered equipment in long dry grass or other dry ground cover.



## G. Avoid Accidental Starts

To prevent accidental starting when working on equipment always:

- Carefully disconnect spark plug wire and keep it away from spark plug. See Figures 3 and 4.
  - Keep the disconnected spark plug wire securely away from metal parts where arcing could occur.
  - Attach the spark plug wire to the grounding post, if provided.
- Disconnect battery at negative terminal first, if engine is equipped with a DC electric starter.
- Turn all engine switches to “OFF” position.
- Remove ignition key, if provided.

## H. Use Hearing Protection

Engine noise may cause hearing damage. Always wear hearing protection when operating a recreational vehicle engine.

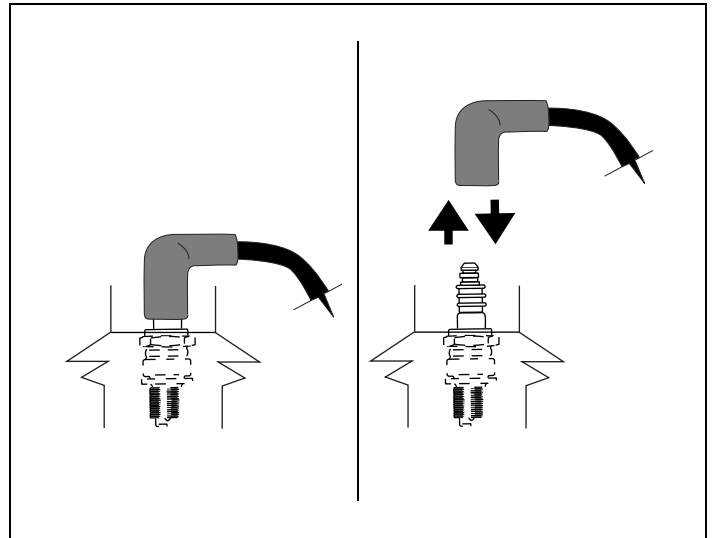


Figure 3. Disconnecting/Connecting Spark Plug

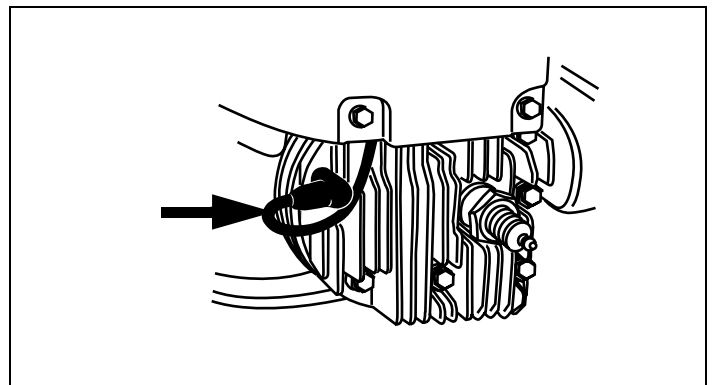


Figure 4. Spark Plug Grounding Post

## II. How to Get Service

For engine adjustments, repairs or warranty service NOT covered in this manual, contact your nearest Authorized TecumsehPower Servicing Dealer. Find them on our website at [www.TecumsehPower.com](http://www.TecumsehPower.com) or call TecumsehPower Company at 1-800-558-5402 for additional information.

Visit our web site at **[www.TecumsehPower.com](http://www.TecumsehPower.com)**

- ◆ Register Your TecumsehPower Engine
- ◆ Maintenance Tips
- ◆ On-Line Store
- ◆ Locate your nearest TecumsehPower Servicing Dealer

LOG ON!

### A. Engine Identification Decal

A sample engine identification decal is located in the next column and indicates the engine's model number, specification and date of manufacture (DOM). See Figure 5.

#### NOTES

*Please look at the decal on your engine.*

*Fill in the engine information in the spaces provided for future reference.*

The engine identification decal also includes engine life specifications for the emissions-related useful life period of your engine. This period relates to the emission compliance life as certified by EPA and/or CARB.

- OH195EA/EP/XA/XP models are designated as "C" 125 hours, "B" 250 hours and "A" 500 hours.
- LH318XA, LH358XA and OH318EA/XA models are designated as "C" 250 hours, "B" 500 hours and "A" 1,000 hours.

### B. Technician's Handbooks

If you have a general understanding of internal combustion engines and wish to repair and service your engine and/or engine emission control systems yourself, a Technician's Handbook is available from your Authorized TecumsehPower Servicing Dealer. See Figure 6. This handbook covers repairs and adjustments not covered within this Operator's Manual, and it is intended for individuals who have had adequate training, experience and who practice proper tool usage. Service procedures should be clearly understood and practiced when servicing Power Sport engines.

- Order as part #695244A or #740043 for OH195EA/EP/XA/XP and OH318EA/XA models.
- Order as part #692509 or #740049 for LH318XA and LH358XA models.

TecumsehPower Company manufactures and is responsible only for the engine used on this power equipment. If repair or service is needed for anything other than the engine, contact the service source recommended by the equipment manufacturer.



Figure 5. Engine Identification Decal

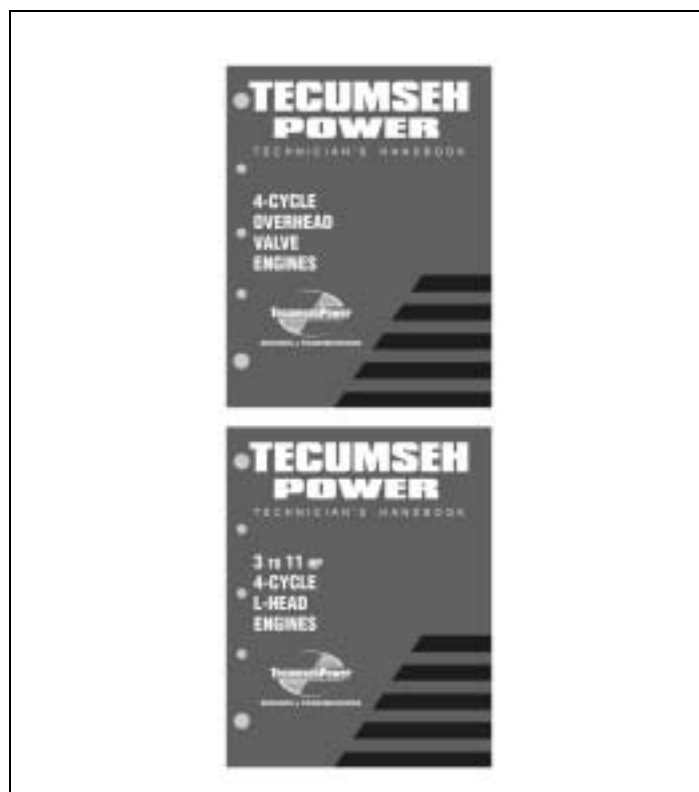


Figure 6. Technician Handbooks

### III. Oil and Fuel Specifications

#### A. Oil

To operate engine you need to use a clean, high quality, detergent oil. For recommended engine oil, see Table 1. In addition, you need to be sure the oil sump contains the correct amount of oil to operate properly.

#### NOTES

*Oil sump capacities vary with each model. See Table 2.*  
*Be sure original container is marked A.P.I. Service "SL/SJ".*  
*Using multigrade oil above 32°F (0°C) will increase oil consumption. SAE 10W40 is NOT recommended.*  
*Special-formulated oils are available at your Authorized TecumsehPower Servicing Dealer.*

**Table 1. Recommended Oil**

TecumsehPower Recommended Oil Usage											
						Straight Grade TecumsehPower Part No. 730225A or SAE 30W					
				Multi Grade TecumsehPower Part No. 730226A or SAE 5W30 or SAE 10W							
				TecumsehPower Synthetic Part No. 730263 or SAE 0W30							
	-20°F	0°F	20°F	32°F	40°F	60°F	80°F	100°F			
	-30°C	-20°C	-10°C	0°C	10°C	20°C	30°C	40°C			

#### B. Fuel

Use unleaded regular, unleaded premium or reformulated automotive fuel only. You may use gasoline containing the components identified in Table 3.

- DO NOT use leaded fuel.
- Fuel must be fresh and clean. NEVER use fuel left over from last season or stored for long periods.
- NEVER mix oil with fuel.
- DO NOT use fuel containing Methanol (Wood Alcohol).

#### CAUTION

The use of alternative fuels such as E85 or E20 are NOT recommended for use in TecumsehPower engines. Alternative fuels with high alcohol content can cause hard starting, poor engine performance, and may cause internal engine damage.

#### NOTE

*Damage and/or performance problems that occur from use of fuels, other than those listed in the Operator's Manuals will not be considered warranty.*

**Table 2. Oil Sump Capacities**

Engine Model	Units		
	Ounces	U.S. Pints	Liters
Application			
LH318XA LH358XA	26 oz.	1-5/8	.78
OH195EA/EP/XA/XP	21 oz.	1-1/4	.62
OH318EA/XA	26 oz.	1-5/8	.78

**Table 3. Recommended Fuel**

Fuel Component	Percentage
Ethanol	10%
Grain Alcohol ("Gasohol")	10%
MTBE (Methyl Tertiary Butyl Ether)	15%
ETBE (Ethyl Tertiary Butyl Ether)	15%

## IV. Before Starting Your Engine

### A. Engine Pre-Ride Checklist

**WARNING** To avoid serious injury or death, always complete both the engine and equipment manufacturer's pre-ride checklist before using the engine. This engine should NEVER be used if you identify a problem with any of the steps listed below.

Be sure the engine is turned off for steps 1 thru 4:

1. Fuel Fill Cap—Check that the fuel fill cap is securely in place.
2. Guards—Check that all of the guards are securely in place. NEVER operate the vehicle if you think there may be a guard missing. Check with equipment manufacturer for a complete list of guards. See "D. Stay Away from Rotating Parts" instructions on page 2. See Figures 7 and 8. Afterward, continue reading instructions below.
3. Debris—Check that engine, controls and guards are free from debris, snow or ice. For debris removal areas, see "B. Removing Debris From Engine" instructions on page 20.
4. Throttle—With the engine off, check that the gas pedal operates smoothly and returns to an idle position when released.

**WARNING** To avoid serious injury or death, an adult should start this engine. Only allow children to start engine if an adult has determined they are experienced and capable of such operation.

5. Idle speed—Be sure that operator is in place with the brake engaged before starting the engine. Start the engine and slowly release the brake. Check that the vehicle does not move when the engine is idling. If it does move at idle, stop the vehicle and shut off the engine. The vehicle requires service and should not be operated.
6. Engine stop switches—Check that the operator knows where all engine stop switches are located. Check that all engine stop switches immediately stop the engine. For stop switch locations, see Figure 13 on page 8. Afterward, continue reading instructions below.

For questions about the pre-ride checklist for this engine, contact your nearest Authorized TecumsehPower Servicing Dealer. Find them on our website at [www.TecumsehPower.com](http://www.TecumsehPower.com) or call TecumsehPower Company at 1-800-558-5402.

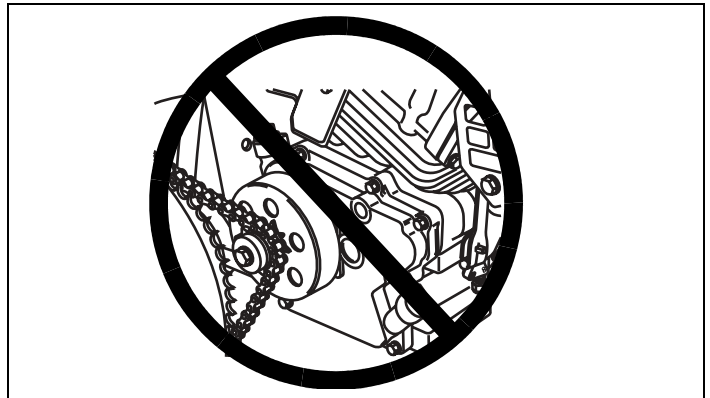


Figure 7. Incorrect Usage Without Engine Shaft Guard

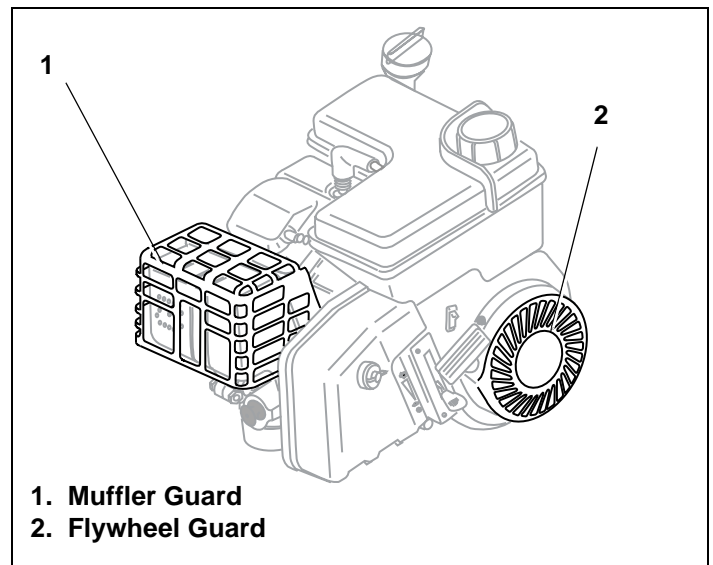


Figure 8. Engine Guard Locations

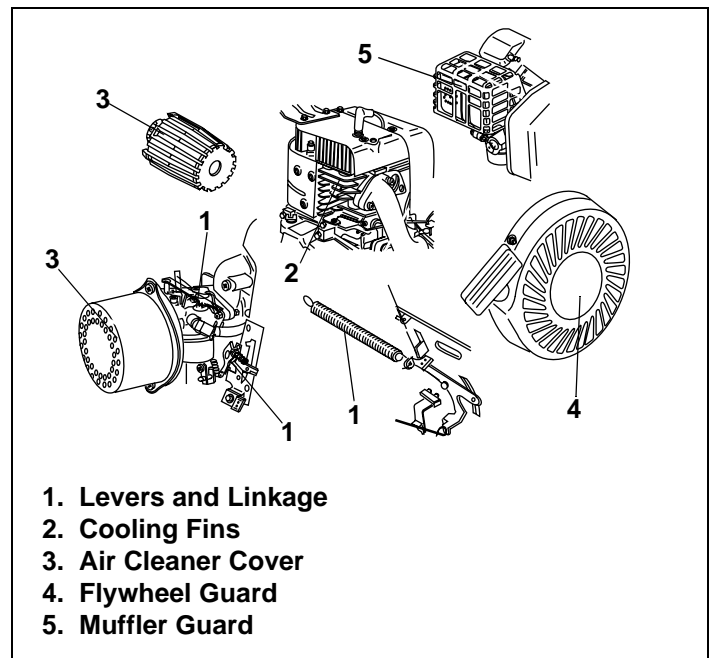


Figure 9. Debris Removal Areas



## B. Checking Oil Level

To avoid engine damage, it is important to:

- Check oil level before each use and every 5 operating hours.
- Keep oil level between “FULL” and “ADD” marks on dipstick or to point of overflow on engines without dipstick. See Figure 10.
- Be sure oil fill dipstick/plug is tightened securely.

### NOTES

*DO NOT overfill engine with oil. Doing so may result in equipment malfunction or damage.*

*DO NOT allow oil level to fall below the “ADD” mark on dipstick. Doing so may result in equipment malfunction or damage.*

*Contact your Authorized TecumsehPower Servicing Dealer for TecumsehPower Oil.*

### I. Oil Fill Dipstick

If your engine has an oil fill plug, see "II. Oil Fill Cap Without Dipstick (Oil Fill Plug)" instructions.

1. Be sure engine is upright and level.

#### NOTE

*Some Power Sport Engines are equipped with an oil fill dipstick. See Figure 11.*

2. Unscrew oil fill dipstick from oil filler tube and wipe clean.
3. Screw oil fill dipstick back into oil filler tube. Tighten securely.
4. Unscrew and remove oil fill dipstick from oil filler tube. Note oil level. If oil reading on dipstick is below “ADD” mark, slowly add oil to reach “FULL” level. See Figure 10.
5. Screw oil fill dipstick back into oil filler tube. Tighten securely.
6. Wipe away any spilled oil.

### II. Oil Fill Cap Without Dipstick (Oil Fill Plug)

If your engine has an oil fill dipstick, see "I. Oil Fill Dipstick" instructions.

1. Be sure engine is upright and level.

#### NOTE

*All models in this manual may be equipped with optional oil fill plug locations. See Figure 12.*

2. Clean area around oil fill plug(s). See Figure 12.
3. Unscrew oil fill plug.
4. Add oil to overflow point, making sure to avoid spilling.
5. Screw oil fill plug back into oil fill hole. Tighten securely.
6. Wipe away any spilled oil.

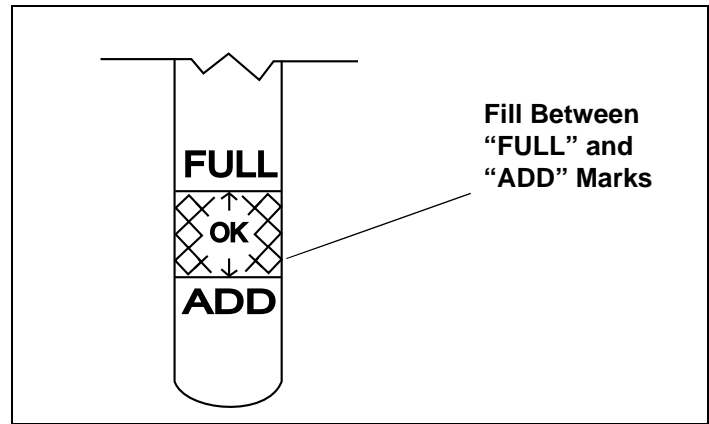


Figure 10. Engine Oil Level

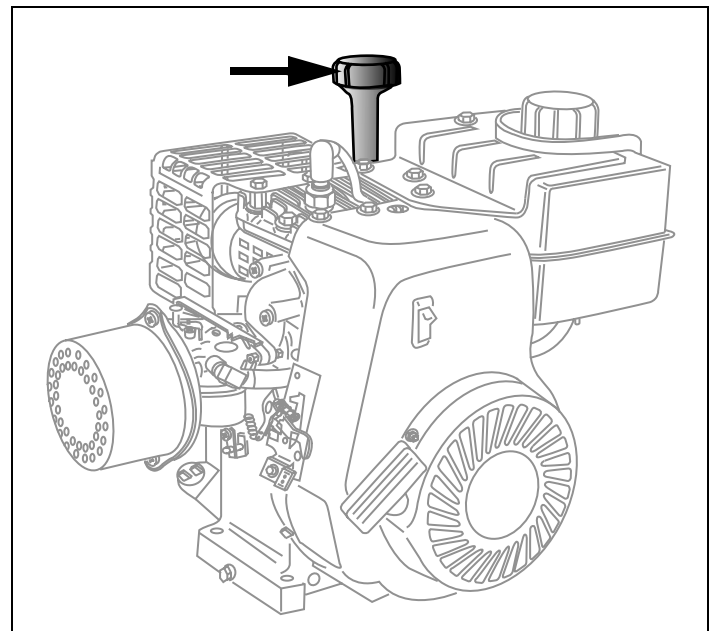


Figure 11. Possible Oil Fill Dipstick Location

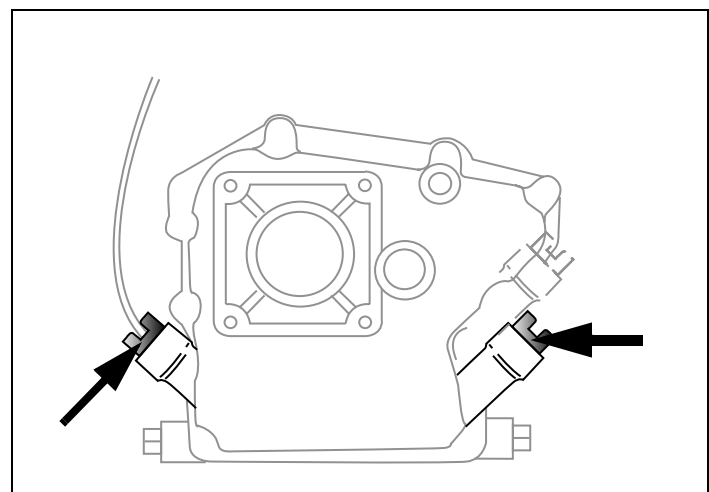


Figure 12. Possible Oil Fill Plug Location(s)

## C. Engine Stop Switch

Power Sport engines are equipped with an Engine Stop Switch. This rocker switch is used to shut off the ignition that supplies the spark plug with power. Pressing the switch to the “OFF” position will turn the engine off when it is running. This switch must be in the “ON” position or the engine will not start. See Figure 13.

## D. Filling Fuel Tank

**WARNING** An adult should fuel this engine. NEVER allow children to refuel this engine. Gasoline (fuel) vapors are highly flammable and can explode. Fuel vapors can spread and be ignited by a spark or flame many feet away from engine. To prevent injury or death from fuel fires, follow these instructions:

1. Stop engine and allow it to cool before refueling.
2. Be sure engine is outdoors and in a well-ventilated area.
3. Clean area around fuel fill cap and remove fuel fill cap. See Figure 14.

### NOTE

For recommended fuel, see Table 3 and “III. Oil and Fuel Specifications” instructions on page 5. Afterward, continue reading instructions.

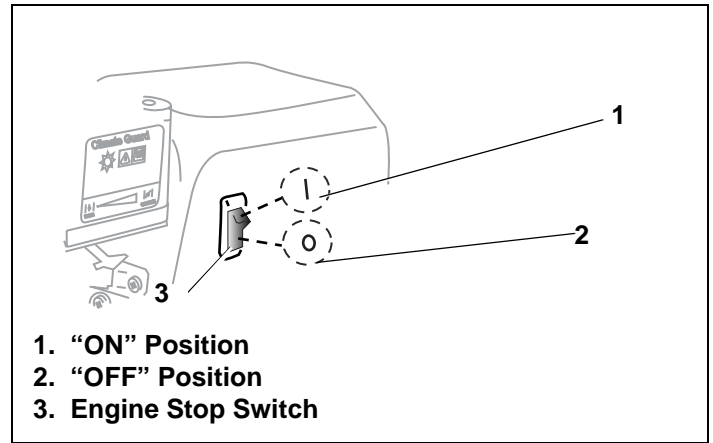


Figure 13. Engine Stop Switch

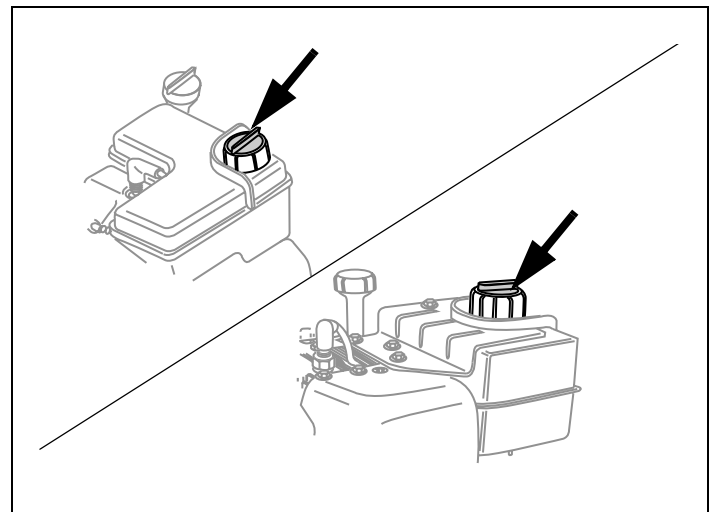


Figure 14. Possible Fuel Fill Cap Location(s)

4. Using an approved red GASOLINE container, add fuel slowly, being careful to avoid spilling. DO NOT overfill fuel tank. Leave space in the tank to allow fuel to expand without overflowing. See "B. Fuel" instructions on page 5. Afterward, continue reading instructions below.
5. Replace fuel fill cap securely and wipe up spilled fuel before starting engine. If fuel is spilled DO NOT start engine. Move machine away from area of spillage. Avoid creating any source of ignition until fuel vapors are gone.

*NOTE*

*Replace a damaged or missing fuel fill cap only with a genuine TecumsehPower replacement Fuel Fill Cap. Failure to do so may **VOID YOUR WARRANTY**. See Figure 15.*

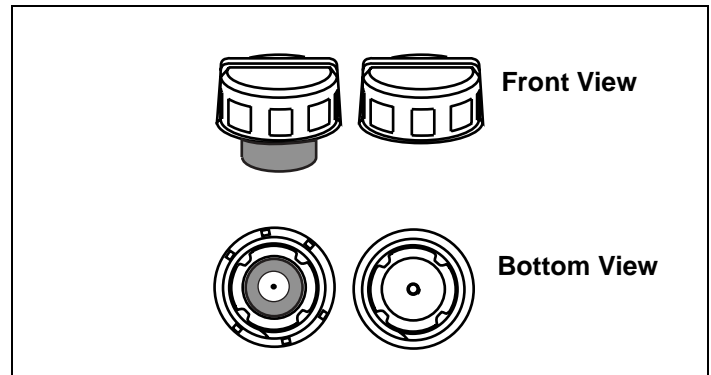
### E. Optional Fuel Valve

Some engines are equipped with an optional fuel valve. See Figure 16.

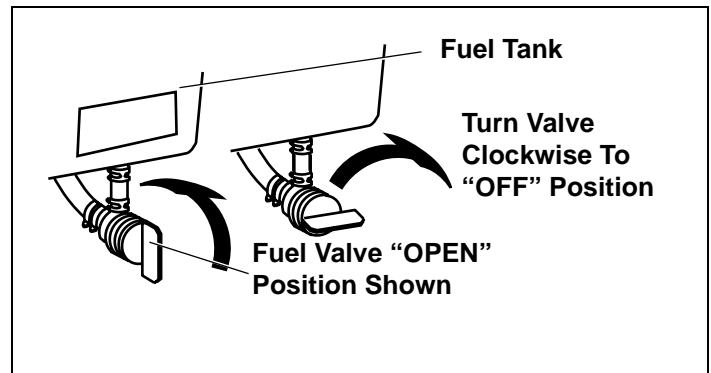
1. Turn fuel valve counterclockwise to "OPEN" position.
2. Turn fuel valve clockwise to "OFF" position

*NOTE*

*Always be sure fuel valve is in the "OFF" position after each use. See Figure 16.*



**Figure 15. Possible Fuel Fill Cap(s)**



**Figure 16. Optional Fuel Valve Positions**

## V. Starting Your Engine

**WARNING** To avoid serious injury or death, an adult should start this engine. Only allow children to start engine if an adult has determined they are experienced and capable of such operation.

### NOTE

See "A. Engine Pre-Ride Checklist" instructions on page 6. Afterward, continue reading instructions below.

**WARNING** If you are unable to start this engine after following instructions in this manual, contact your Authorized TecumsehPower Servicing Dealer. To avoid serious burn injuries or damage to your engine, DO NOT attempt to start or troubleshoot this engine in any other way. For example:

- DO NOT use starting fluid.
- DO NOT spray flammable vapors into carburetor or onto air cleaner.
- DO NOT put flammable liquids into carburetor or onto air cleaner.
- DO NOT operate engine or pull on starter rope with spark plug removed. Fuel can spray from spark plug hole and ignite.
- DO NOT apply throttle or gas pedal while starting.

This section contains starting instructions for several different types of engines. In order to locate the instructions that apply to your engine, first determine what type of starter you have. If you have an electric starter, see "A. Engines with Electric Starters" instructions on page 12. If you have a manual recoil starter, see "B. Engines with Recoil Starters" instructions on page 15.

### Item Descriptions

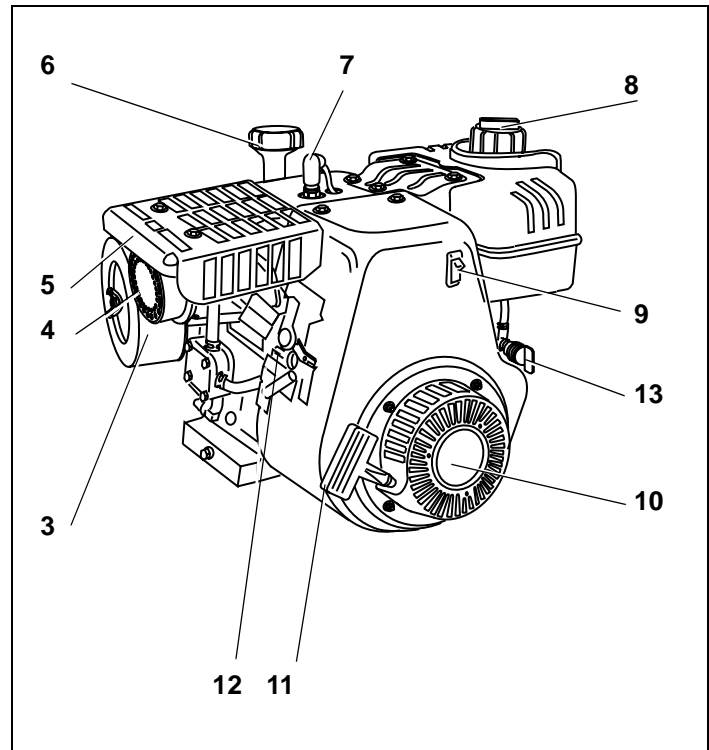
The item descriptions listed below are for all Power Sport engine models available and refer to Figures 17 thru 19. Take a moment to become familiar with your engine model.

1. Oil Fill Plug
2. Carburetor
3. Air Cleaner
4. Muffler
5. Muffler Guard
6. Oil Fill Dipstick
7. Spark Plug Cap
8. Fuel Fill Cap
9. On/Off Switch
10. Recoil Starter/Flywheel Guard
11. Starter Cord Handle
12. Levers/Linkage
13. Fuel Shut-Off Valve (If provided)
14. Primer

Only one of the following illustrations will apply to your engine. See Table 4.

**Table 4. Model Assemblies**

If your engine model is a:	Location:
LH318XA LH358XA	See Figure 17
OH195EA/EP/XA/XP	See Figure 18
OH318EA/XA	See Figure 19



**Figure 17. LH318XA/LH358XA**

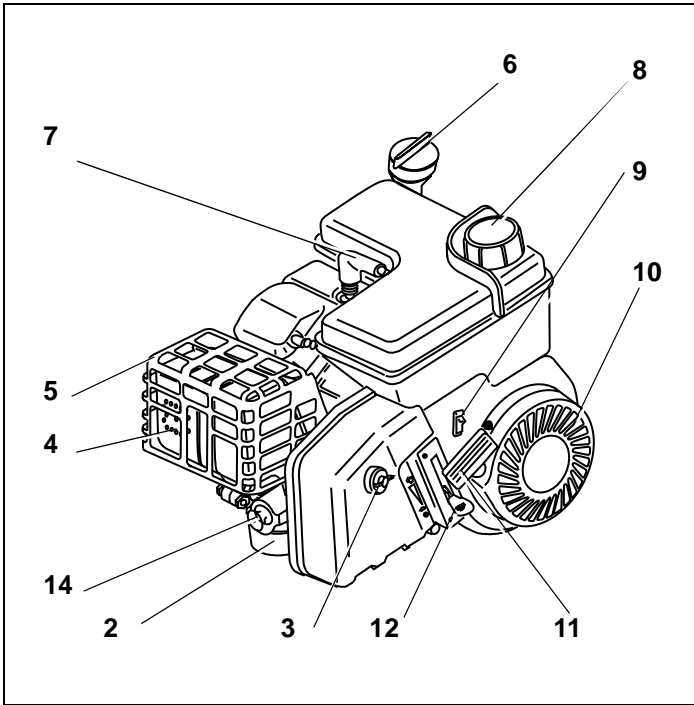


Figure 18. OH195EA/EP/XA/XP

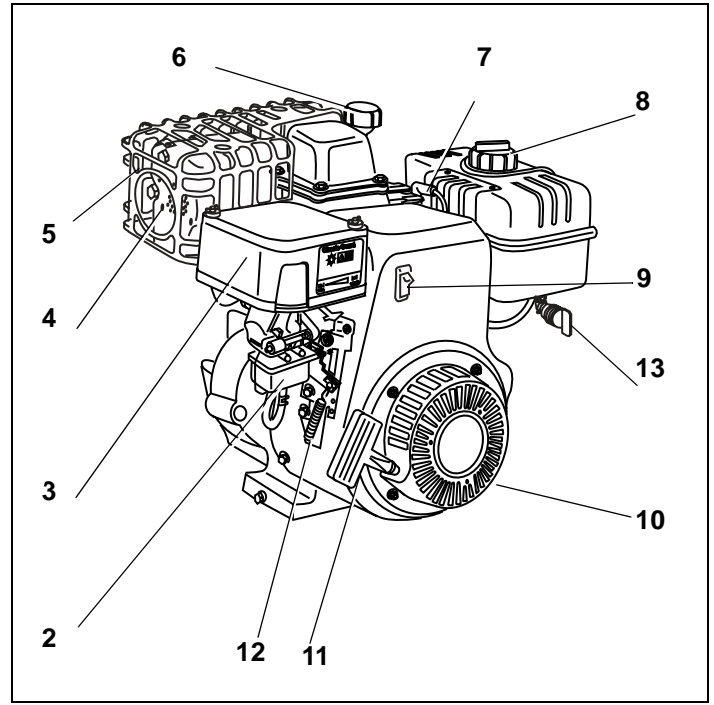


Figure 19. OH318EA/XA

## A. Engines with Electric Starters

Only one of the following two sections will apply to your engine. See Table 5.

### I. Primer Bulb Only

1. To avoid carbon monoxide poisoning, be sure engine is outdoors in a well-ventilated area.
2. Be sure fuel valve is open, if provided. See Figure 20.
3. When starting a cold engine, push primer bulb firmly with your thumb 3 times, allowing primer bulb to return completely to original position between pushes. See Figure 21.

#### NOTES

*LH318XA, LH358XA and OH318EA/XA models DO NOT have a primer bulb.*

*Cooler temperatures may require pushing primer bulb firmly with your thumb 5 times.*

*DO NOT use primer bulb to restart a warm engine after a short shutdown. Doing so will flood the engine and may result in equipment malfunction.*

4. Push starter button or turn ignition switch key to start engine.

#### NOTE

*DO NOT operate an electric starter for more than 5 seconds each attempt.*

5. When engine starts, release starter button or ignition switch key.
6. If engine fails to start after 3 attempts, repeat steps 2 thru 4.
7. If engine does not start after following steps 1 thru 6, contact your Authorized TecumsehPower Servicing Dealer. DO NOT attempt to start or troubleshoot this engine in any other way.

Table 5. Engines with Electric Starters

If your engine has:	Go to:
Primer Bulb Only	Section A.I
Choke Only	Section A.II

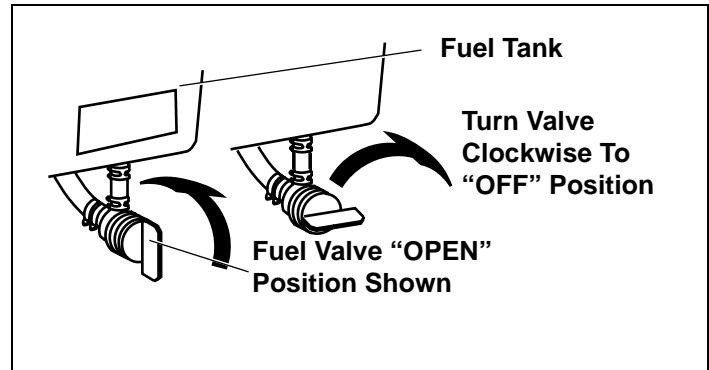


Figure 20. Optional Fuel Valve Positions

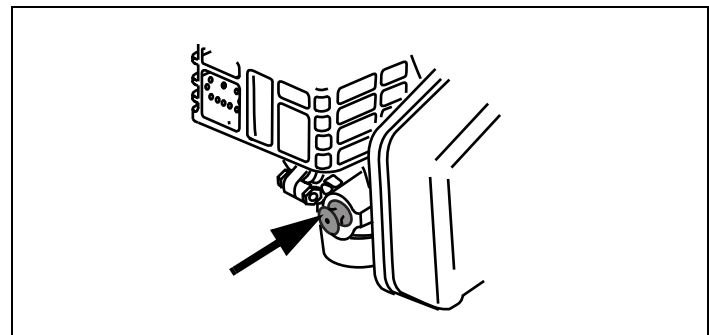


Figure 21. OH195EA/EP/XA/XP Primer Bulb

## II. Choke Only

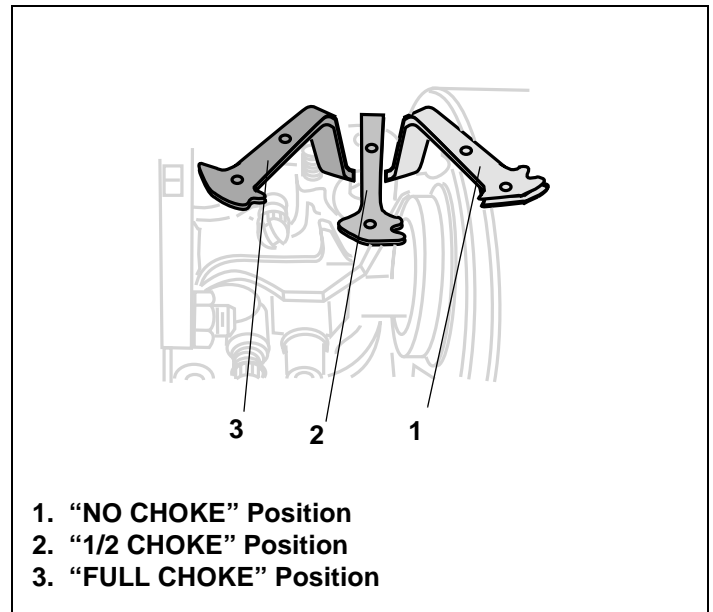
1. To avoid carbon monoxide poisoning, be sure engine is outdoors in a well-ventilated area.
2. Be sure fuel valve is open, if provided. See Figure 20 on page 12. Afterward, continue reading instructions below.
3. Move choke control to "FULL CHOKE" position.

### NOTES

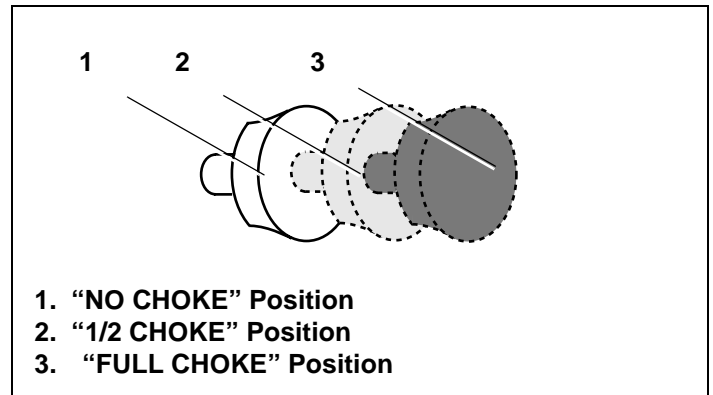
*Some engines are equipped with a horizontal mounted choke control. See Figure 22.*

*Some engines are equipped with a remote choke control. See Figure 23.*

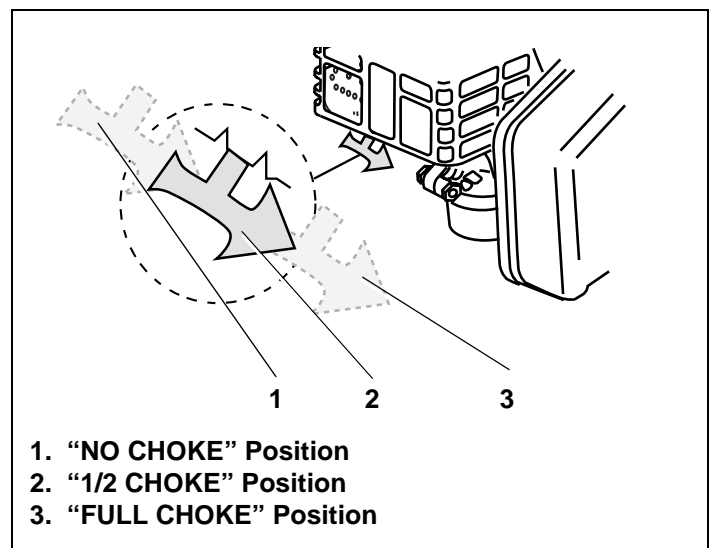
*Some OH195EAEP/XA/XP engines are equipped with a choke control lever under the muffler. See Figure 24.*



**Figure 22. Horizontal Mount Choke Control Positions**



**Figure 23. Remote Choke Control Positions**



**Figure 24. OH195EA/EP/XA/XP Choke Control Positions**

### NOTES

OH318EA/XA engines are equipped with a choke control lever located under the air cleaner. See Figure 25.

If restarting a warm engine move choke control to "NO CHOKE" position. See Figure 25.

Power Sport engines are equipped with a standard spring-loaded throttle control to ensure the throttle will return to engine idle speed when it is released or if the cable fails. The throttle control must be in the idle position when starting engine. See Figure 26.

4. Push starter button or turn ignition switch key to start engine.

### NOTE

**DO NOT** operate an electric starter for more than 5 seconds each attempt.

5. When engine starts:
  - a. Release starter button or ignition switch key.
  - b. Momentarily move choke lever to "1/2 CHOKE" position until engine runs smoothly.
  - c. Next, move choke lever to "NO CHOKE" position.

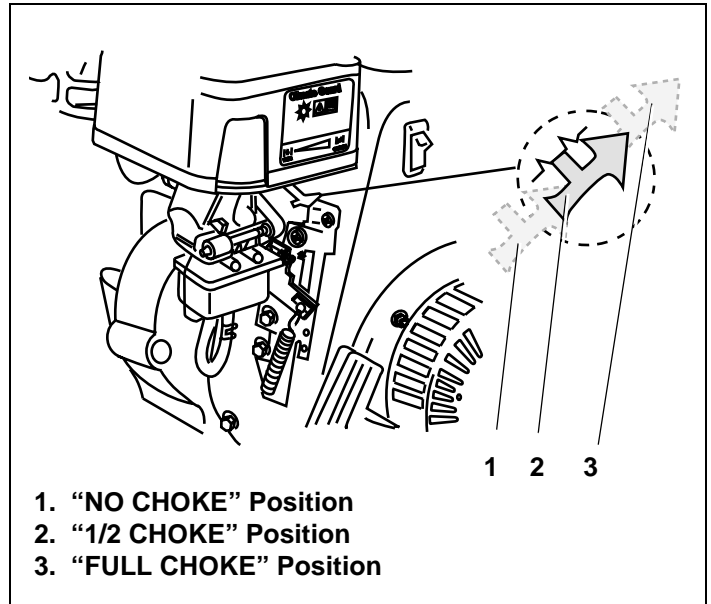
### NOTES

*If engine starts but falters when choke lever is moved to "NO CHOKE" position:*

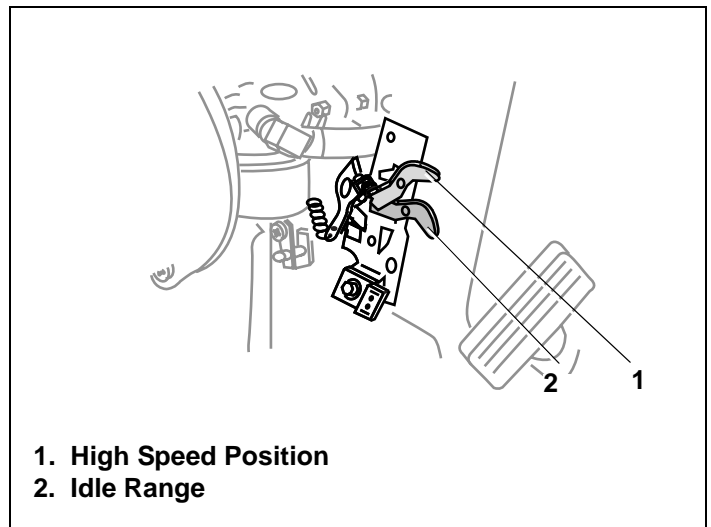
- a. Momentarily move choke lever back to "FULL CHOKE" position.
- b. Next, move choke lever to "1/2 CHOKE" position until engine runs smoothly.
- c. Finally, move choke lever to "NO CHOKE" position.

*If engine dies after choke lever is moved to "NO CHOKE" position, repeat steps 2 thru 5 to restart engine.*

6. If engine fires, but does not continue to run, move choke lever to "NO CHOKE" position and start engine.
7. If engine fails after 3 attempts in the "NO CHOKE" position, repeat steps 2 thru 6 to restart engine.
8. If engine does not start after following steps 1 thru 7, contact your Authorized TecumsehPower Servicing Dealer. **DO NOT** attempt to start or troubleshoot this engine in any other way.



**Figure 25. OH318EA/XA Choke Control Positions**



**Figure 26. Engine Speed Control Positions**



## B. Engines with Recoil Starters

### I. Primer Bulb Only

Only one of the following two sections will apply to your engine. See Table 6.

1. To avoid carbon monoxide poisoning, be sure engine is outdoors in a well-ventilated area.
2. Be sure fuel valve is open, if provided. See Figure 27.
3. When starting a cold engine, push primer bulb firmly with your thumb 3 times, allowing primer bulb to return completely to original position between pushes. See Figure 28.

#### NOTES

*LH318XA, LH358XA and OH318EA/XA models DO NOT have a primer bulb.*

*Cooler temperatures may require pushing primer bulb firmly with your thumb 5 times.*

*DO NOT use primer bulb to restart a warm engine after a short shutdown. Doing so will flood the engine and may result in equipment malfunction.*

**WARNING** When pulling starter rope, the rope can unexpectedly jerk back toward engine causing serious injury. To avoid this risk, carefully follow these instructions:

4. Grasp starter cord handle. See Figure 29.
  - a. Pull rope out slowly until you feel drag.
  - b. Without allowing the rope to retract, continue pulling rope with one rapid full arm stroke.
  - c. Return rope *slowly* to original position.

#### NOTE

*Following the instructions listed in the steps above avoids potential damage to the recoil mechanism.*

5. If engine fails to start after 3 attempts, repeat steps 2 thru 4.
6. If engine does not start after following steps 1 thru 5, contact your Authorized TecumsehPower Servicing Dealer. **DO NOT** attempt to start or troubleshoot this engine in any other way.

Table 6. Engines with Recoil Starters

If your engine has:	Go to:
Primer Bulb Only	Section B.I
Choke Only	Section B.II

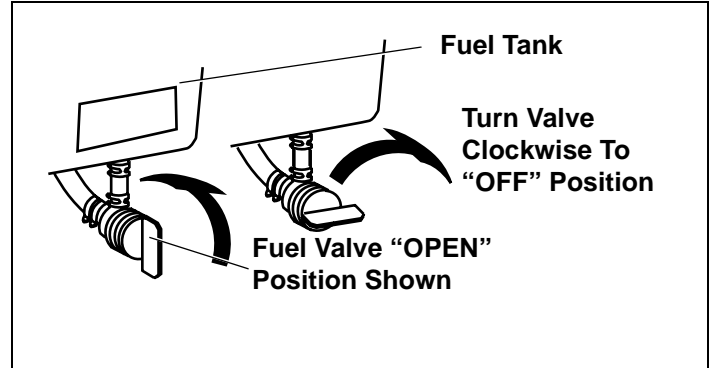


Figure 27. Optional Fuel Valve Positions

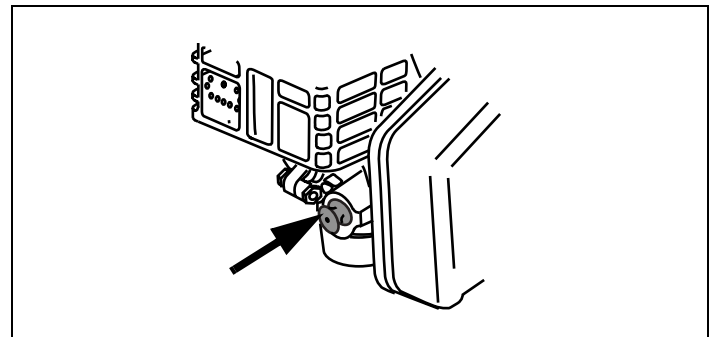


Figure 28. OH195EA/EP/XA/XP Primer Bulb

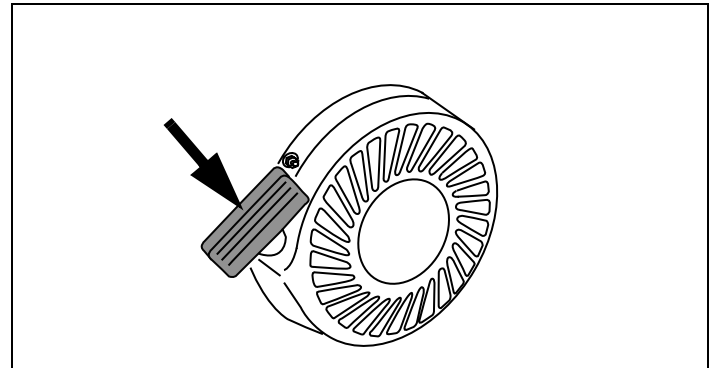


Figure 29. Starter Cord Handle

## II. Choke Only

1. To avoid carbon monoxide poisoning, be sure engine is outdoors in a well-ventilated area.
2. Be sure fuel valve is open, if provided. See Figure 27 on page 15. Afterward, continue reading instructions below.
3. Move choke control to "FULL CHOKE" position.

### NOTES

*Some engines are equipped with a horizontal mounted choke control. See Figure 30.*

*Some engines are equipped with a remote choke control. See Figure 31.*

*Some OH195EA/EP/XA/XP engines are equipped with a choke control lever located under the muffler. See Figure 32.*

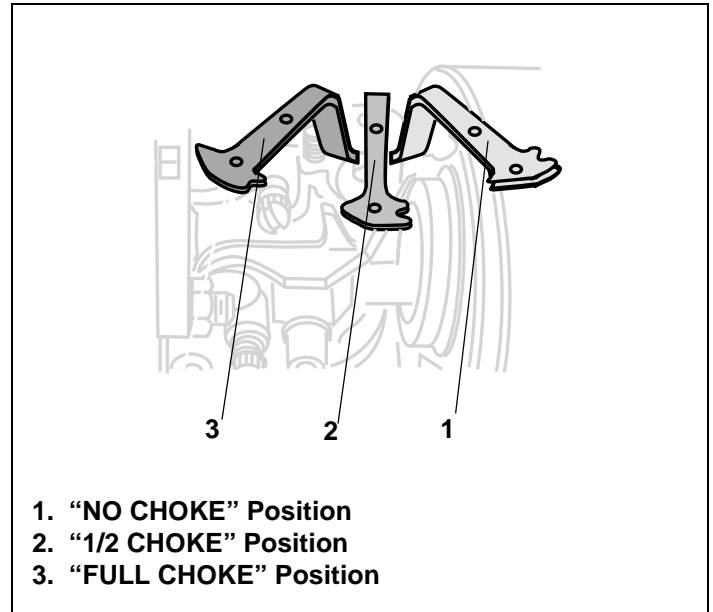


Figure 30. Horizontal Mount Choke Control Positions

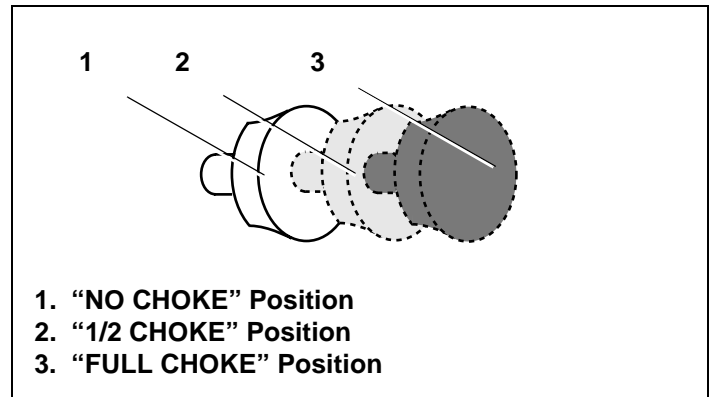


Figure 31. Remote Choke Control Positions

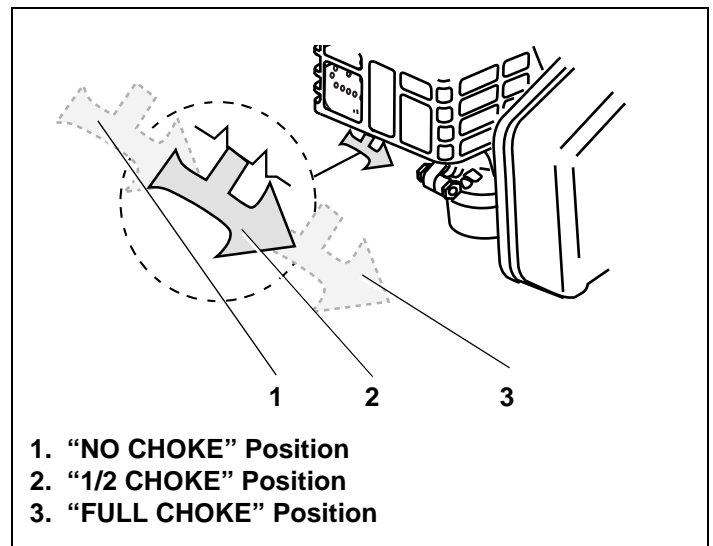


Figure 32. OH195EA/EP/XA/XP Choke Control Positions

## NOTES

OH318EA/XA engines are equipped with a choke control lever located under the air cleaner. See Figure 33.

If restarting a warm engine move choke control to "NO CHOKE" position. See Figure 30 thru 33 starting on page 16. Afterward, continue reading instructions below.

Power Sport engines are equipped with a standard spring loaded throttle control to ensure the throttle will return to engine idle speed when it is released or if the cable fails. The throttle control must be in the idle position when starting engine. See Figure 34.

### WARNING

When pulling starter rope, the rope can unexpectedly jerk back toward engine causing serious injury. To avoid this risk, carefully follow these instructions:

5. Grasp starter cord handle. See Figure 29 on page 15. Afterward, continue reading instructions below.
  - a. Pull rope out slowly until you feel drag.
  - b. Without allowing rope to retract, continue pulling rope with one rapid full arm stroke.
  - c. Return rope *slowly* to original position.

### NOTE

Following the instructions listed in the steps above avoids potential damage to the recoil mechanism.

6. When engine starts:
  - a. Momentarily move choke lever to "1/2 CHOKE" position until engine runs smoothly.
  - b. Next, move choke lever to "NO CHOKE" position.

### NOTES

If engine starts but falters when choke lever is moved to "NO CHOKE" position:

- a. Momentarily move choke lever back to "FULL CHOKE" position.
- b. Next, move choke lever to "1/2 CHOKE" position until engine runs smoothly.
- c. Finally, move choke lever to "NO CHOKE" position.

If engine dies after choke lever is moved to "NO CHOKE" position, repeat steps 2 thru 6 to restart engine.

7. If engine fires, but does not continue to run, move choke lever to "NO CHOKE" position and start engine.
8. If engine fails after 3 attempts in the "NO CHOKE" position, repeat steps 2 thru 7 to restart engine.
9. If engine does not start after following steps 1 thru 8, contact your Authorized TecumsehPower Servicing Dealer. DO NOT attempt to start or troubleshoot this engine in any other way.

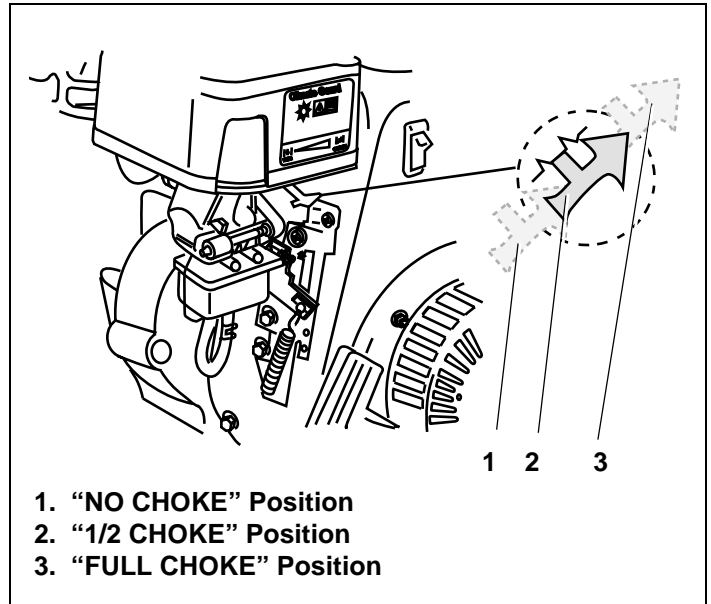


Figure 33. OH318EA/XA Choke Control Positions

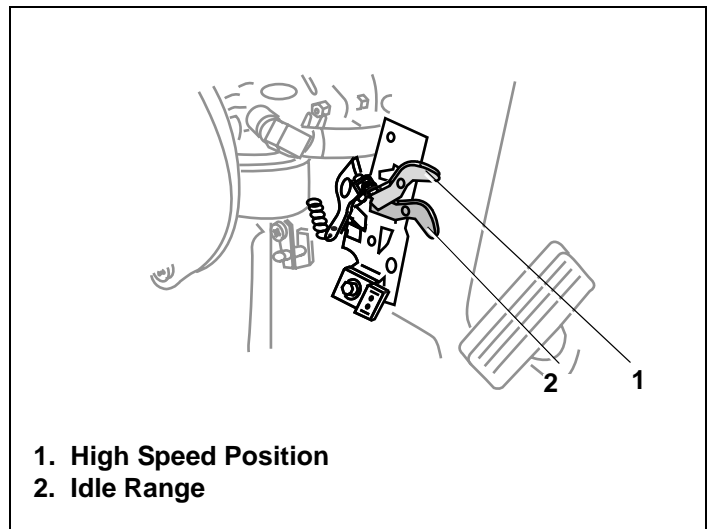


Figure 34. Engine Speed Control Positions

## VI. Stopping Your Engine and Short-Term Storage

Stop engine according to equipment manufacturer's instructions.

**WARNING** To avoid unsupervised operation of a recreational vehicle, especially by children, NEVER leave the engine unattended when it is running. Always turn off the engine before exiting the vehicle and remove ignition key, if provided.

**WARNING** NEVER store engine with fuel in the fuel tank inside a building with potential sources of ignition such as hot water or space heaters, clothes dryers, electric motors, etc. Doing so may lead to an explosion resulting in death or serious injury.

## VII. Transporting Your Recreational Vehicle

**WARNING** NEVER transport this engine inside another vehicle or in any enclosed space if there is any gasoline in the tank. Fuel vapor or spilled fuel may ignite leading to serious injury or death.

If there is fuel in the fuel tank, close the fuel shut-off valve, if equipped, and transport the recreational vehicle in an open vehicle, such as an open trailer or open bed of a pickup truck.

If you DO NOT have an open vehicle and have to transport the recreational vehicle in a closed vehicle, follow these steps for emptying the fuel tank before transporting:

1. Empty fuel tank by using a commercially available suction device designed for use with gasoline.

**WARNING** To avoid serious injury or death, DO NOT pour fuel from engine or siphon fuel by mouth.

2. Drain fuel into an approved red GASOLINE container, being careful to avoid spilling.
3. Run the engine until remaining fuel is consumed.

**WARNING** NEVER leave the engine unattended when it is running and NEVER run engine in enclosed areas to avoid death or serious injury.

## VIII. Maintenance

**WARNING** To avoid serious injury or death, an adult should perform maintenance on this engine. Only allow children to perform maintenance if an adult has determined they are experienced and capable of such operation.

**WARNING** To prevent accidental starting when working on equipment, always:

- Disconnect spark plug wire and keep it away from spark plug. See Figure 35.
- Keep the disconnected spark plug wire securely away from metal parts where arcing could occur.
- Attach the spark plug wire to the grounding post, if provided. See Figure 36.
- Disconnect battery at negative terminal first, if engine is equipped with a DC electric starter.
- Turn all engine switches to "OFF" position.
- Remove ignition key, if provided.

**CAUTION** The muffler and other engine parts become extremely hot during operation and remain hot after the engine has stopped. To avoid severe burns on contact, STAY AWAY from these areas.

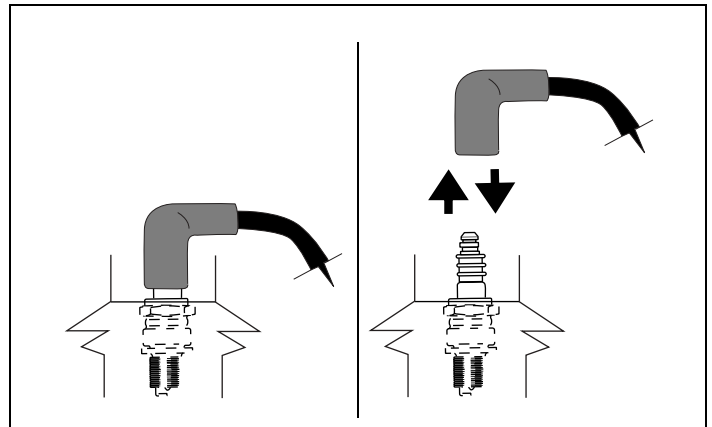


Figure 35. Disconnecting/Connecting Spark Plug

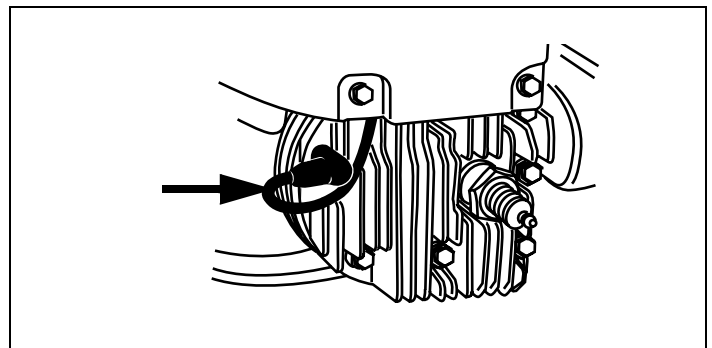


Figure 36. Spark Plug Grounding Post

## A. Checking and Changing Oil

To avoid engine damage, it is important to:

- Check oil level before each use and every 5 operating hours when engine is warm.
  - Change oil after first 2 operating hours and every 3 months or every 25 operating hours thereafter; more often if operated in extremely dusty or dirty conditions. Engine should still be warm but NOT hot from recent use.
1. Be sure you find the correct drain plug location, if provided. See Figure 37.
  2. Carefully disconnect spark plug wire and keep it away from spark plug. See "G. Avoid Accidental Starts" instructions on page 3. Afterward, continue reading instructions below.
    - Keep the disconnected spark plug wire securely away from metal parts where arcing could occur.
    - Attach the spark plug wire to the grounding post, if provided.
  3. Be sure the fuel fill cap is on and is tightened securely.
  4. Clean area around oil drain plug.
  5. Place approved recyclable oil container under oil drain plug, tipping engine to position the oil drain plug at the lowest point on the engine.
  6. Remove oil drain plug and drain oil.

### NOTE

Used oil must be disposed of at a proper collection center.



7. Install oil drain plug and tighten securely.
8. Fill with recommended oil. See "III. Oil and Fuel Specifications" instructions on page 5. See Tables 1 and 2. See Figure 38. Afterward, continue reading instructions below.

### NOTES

*DO NOT overfill oil filler. Doing so may result in oil carry-over to the equipment and cause malfunction or damage.*

*DO NOT allow oil level to fall below the "ADD" mark on oil fill cap/dipstick. Doing so may result in equipment malfunction or damage.*

*Contact your Authorized TecumsehPower Servicing Dealer for TecumsehPower Oil.*

9. Wipe away any spilled oil.
10. Carefully disconnect spark plug wire from grounding post, if provided. See Figure 36 on page 18. Afterward, continue reading instructions below.
11. Connect spark plug wire to spark plug before attempting to start engine. See Figure 35 on page 18. Afterward, continue reading instructions below.

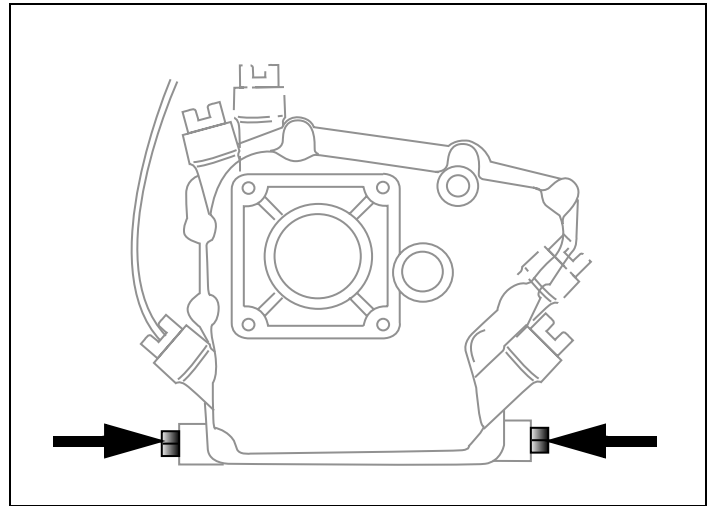


Figure 37. Possible Oil Drain Plug Location(s)

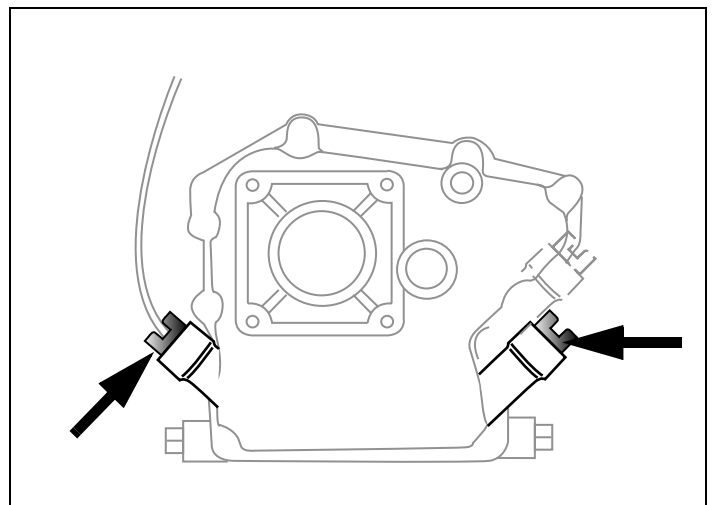


Figure 38. Possible Oil Fill Plug Location(s)

## B. Removing Debris From Engine

Before each use, remove grass clippings, dirt, debris, snow or ice from the following areas:

- Cooling Fins
- Air Intake Screens
- Levers
- Linkage
- Guards

Removing debris will insure adequate cooling, correct engine speed or reduce the risk of fire. See Figure 39.

## C. Spark Plug

Check spark plug yearly or every 100 operating hours.

1. Clean area around spark plug.
2. Remove and inspect spark plug.
3. Replace spark plug if porcelain is cracked or if electrodes are:
  - Pitted
  - Burned
  - Fouled with Deposits
4. Check electrode gap with wire feeler gauge and set gap to  $-.030$  in.(0.76 mm) if necessary. See Figure 40.
5. Install spark plug and tighten securely.

### NOTE

*A resistor spark plug must be used for replacement. Contact your Authorized TecumsehPower Servicing Dealer for a genuine replacement Resistor Spark Plug.*

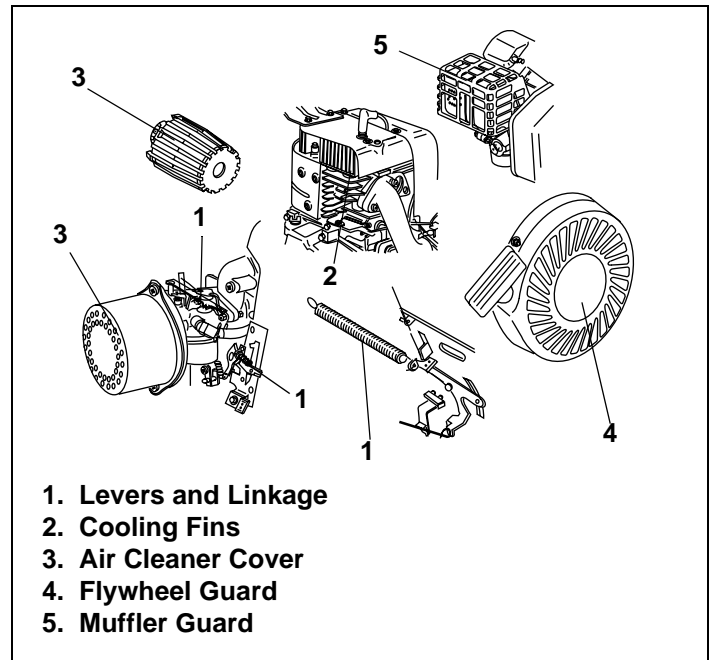


Figure 39. Debris Removal Areas

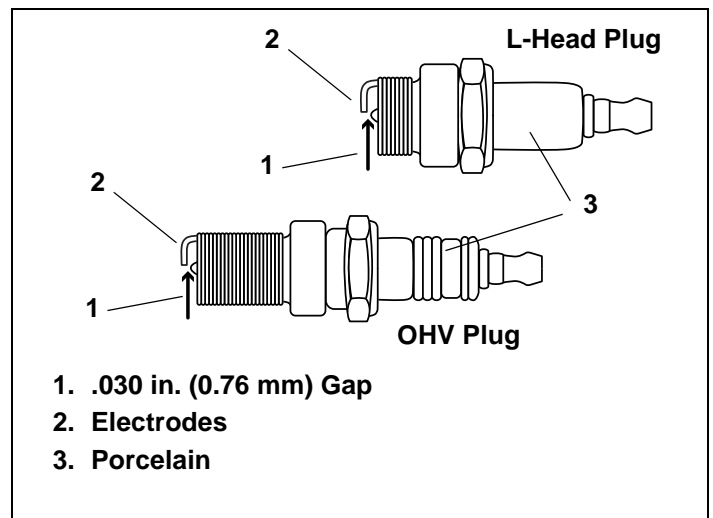


Figure 40. Resistor Spark Plug

## D. Cleaning/Replacing Air Cleaner

Your engine has an air cleaner which helps prevent premature engine wear and failure. NEVER run engine without complete air cleaner installed on engine. Your air cleaner's filter(s) periodically needs to be cleaned or replaced. Your engine will be equipped with one of the following air cleaners; Type A, B, C, D or E. Follow instructions for the air cleaner type that resembles your model. See Figures 41 thru 45.

### NOTE

Contact your Authorized TecumsehPower Servicing Dealer for a genuine replacement Air Cleaner.

### I. Servicing Foam Pre-Filter

Clean foam pre-filter every 3 months or every 25 operating hours. Clean daily if used in extremely dusty conditions. After removing the pre-filter, follow these cleaning instructions below:

1. Wash in warm water and detergent solution then press (DO NOT twist) until all dirt is removed.
2. Rinse thoroughly until water is clear.
3. Wrap in a clean cloth and press (DO NOT twist) until completely dry.

### NOTE

DO NOT oil a foam pre-filter.

4. Replace foam pre-filter onto paper filter.

### II. Servicing Paper Filters

Paper filters cannot be cleaned and must be replaced once a year or every 100 operating hours; more often if used in extremely dusty conditions. Replacement filters are available at an Authorized TecumsehPower Servicing Dealer. Follow the instructions next to the drawing of your air cleaner to remove and replace it.

### NOTE

DO NOT put oil on or clean a paper filter.

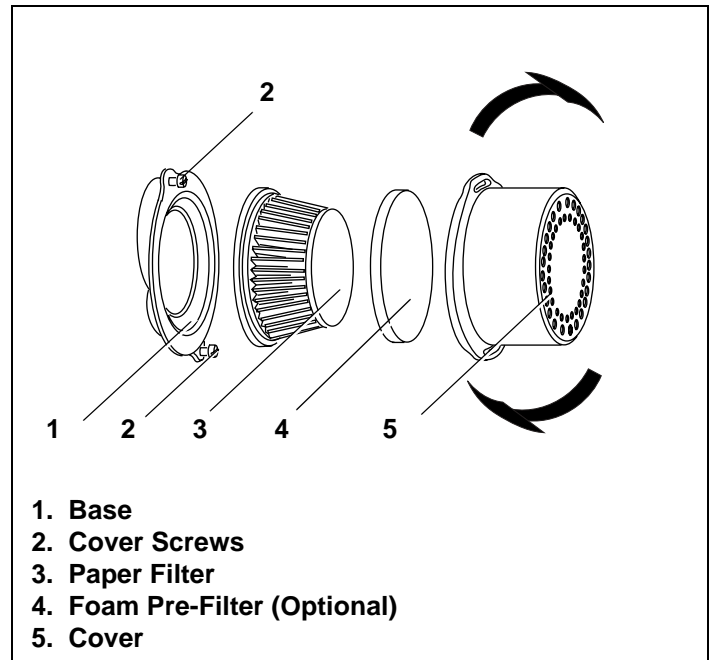


Figure 41. Type "A" Air Cleaner Assembly

### E. Type "A" Air Cleaner

1. Loosen cover screws. See Figure 41.
2. Turn cover counterclockwise and remove from base.
3. Remove optional foam pre-filter, if provided, from cover. Inspect for dirt or debris accumulation. If either is present, see "I. Servicing Foam Pre-Filter" instructions.
4. Remove paper filter from base. Inspect filters for discoloration or dirt accumulation. If either is present, see "II. Servicing Paper Filters" instructions.
5. Clean inside of base and cover thoroughly.
6. Install new paper filter into base.
7. Install optional foam pre-filter into cover.
8. Turn cover clockwise and attach to base.
9. Tighten screws securely.

## F. Type "B" Air Cleaner

1. Turn cover counterclockwise and remove it and paper filter from base. See Figure 42.
2. Discard filter.
3. Clean cover and base thoroughly.
4. Install new paper filter into cover.
5. Position clean cover and filter against base with tab on cover inserted into lower left corner of slot in base.
6. Push cover firmly against base and turn clockwise as far as it will go.
7. Be sure retainers are locked around base.

## G. Type "C" Air Cleaner

1. Remove wing nut. See Figure 43.
2. Remove cover and clean thoroughly.
3. Remove foam pre-filter, if provided, from outside of paper filter. Inspect for dirt or debris accumulation. If either is present, see "I. Servicing Foam Pre-Filter" instructions on page 21. Afterward, continue reading instructions below.
4. Remove paper filter from base. Inspect filter for discoloration or dirt accumulation. If either is present, see "II. Servicing Paper Filters" instructions on page 21. Afterward, continue reading instructions below.
5. Clean inside of base and cover thoroughly.
6. Install clean paper filter onto base.
7. Install clean foam pre-filter, if provided, over paper filter.
8. Install clean cover over filters.
9. Install wing nut and tighten securely.

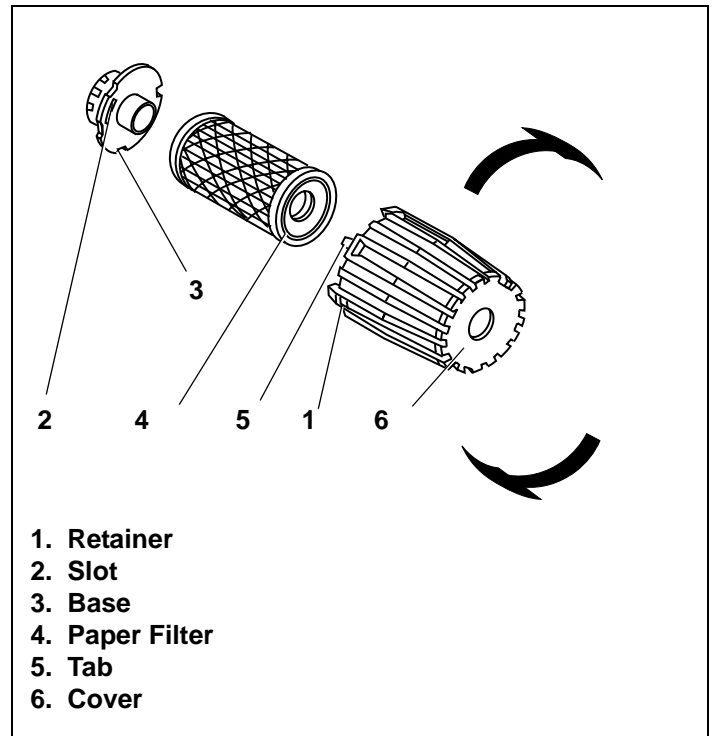


Figure 42. Type "B" Air Cleaner Assembly

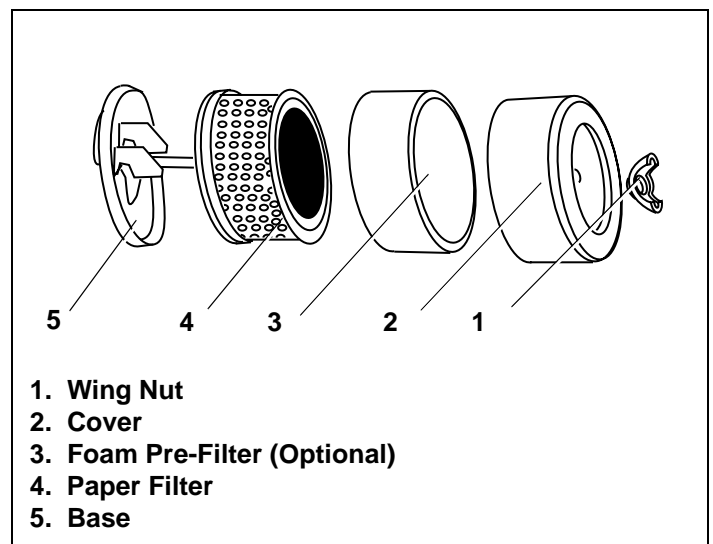


Figure 43. Type "C" Air Cleaner Assembly



## H. Climate Guard<sup>®</sup> Anti-Icing Air Cleaners

Some engines may be equipped with a Climate Guard anti-icing air cleaner that prevents ice from forming in the carburetor when the engine is run at temperatures below 32°F (0°C).

Engines equipped with the baffle will have an opening which draws warm air from the muffler into the air cleaner housing. To work effectively, it is necessary for the *cold weather baffle* to block cold air from entering the air cleaner.

### I. Type “D” Air Cleaner

1. Remove wing nut and cover. See Figure 44.
2. Remove foam pre-filter, if provided, from cover. Inspect for dirt or debris accumulation. If either is present, see "I. Servicing Foam Pre-Filter" instructions on page 21. Afterward, continue reading instructions below.
3. Remove paper filter from base. Inspect for dirt or debris accumulation. If either is present, see "II. Servicing Paper Filters" instructions on page 21. Afterward, continue reading instructions below.
4. Clean inside of base and cover thoroughly.
5. Install clean paper filter into base.
6. Install clean foam pre-filter, if provided into cover.
7. Install cover on base.
8. Install wing nut and tighten securely.

#### At Temperatures of 32°F (0°C) and Below

1. Remove wing nut from air cleaner cover. See Figure 44.
2. Remove air cleaner cover from base.
3. Remove red baffle from inside of air cleaner cover.
4. Insert red baffle in “WINTER” position shown.
5. Install air cleaner cover onto base.
6. Install wing nut and tighten securely.

#### At Temperatures Above 32°F (0°C)

1. Remove wing nut from air cleaner cover. See Figure 44.
2. Remove air cleaner cover from base.
3. Remove red baffle from inside of air cleaner cover.
4. Insert red baffle in “SUMMER” position shown.
5. Install air cleaner cover onto base.
6. Install wing nut and tighten securely.

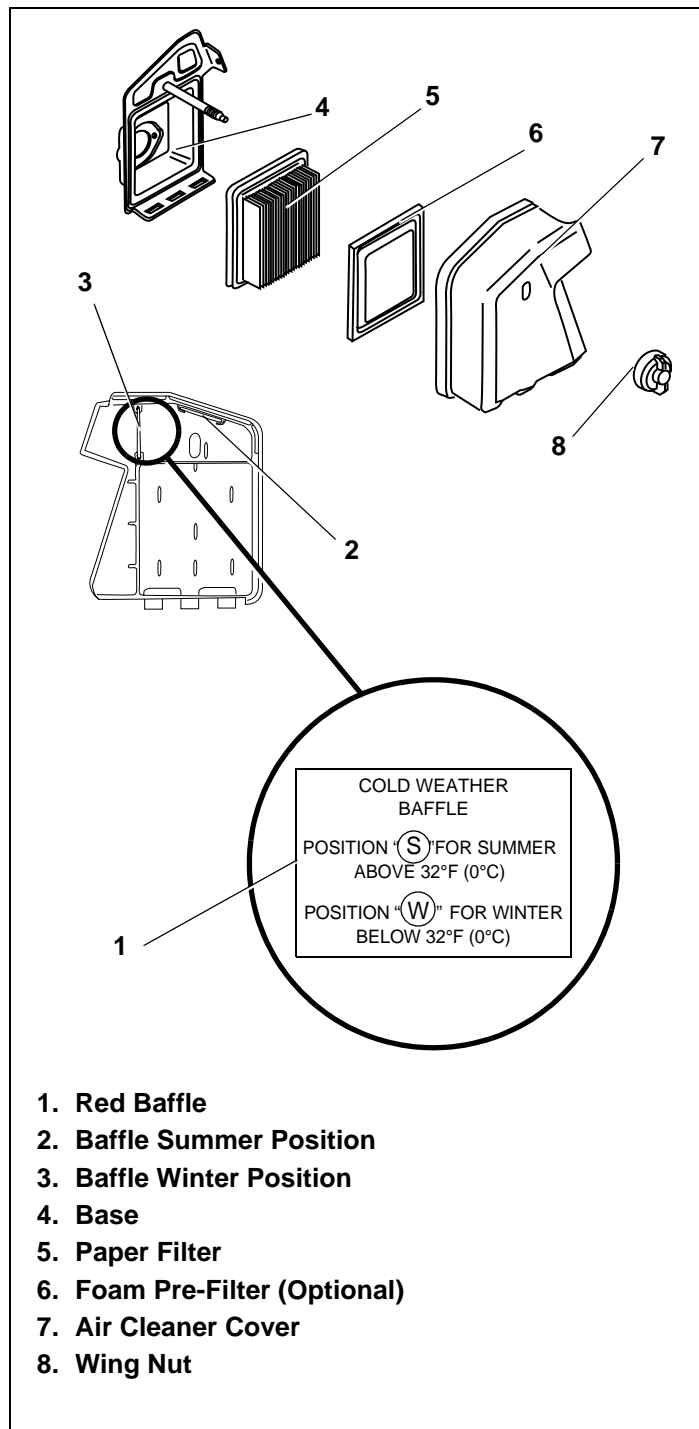


Figure 44. Type “D” Climate Guard Air Cleaner Assembly

## II. Type “E” Air Cleaner

1. Remove wing nuts and air cleaner cover.
2. Remove foam pre-filter from paper filter, if provided, and inspect for dirt or debris accumulation. If either is present, see "I. Servicing Foam Pre-Filters" instructions on page 21. Afterward, continue reading instructions below.
3. Remove paper filter from base and inspect for dirt or debris accumulation. If either is present, see "II. Servicing Paper Filters" instructions on page 21. Afterward, continue reading instructions below.
4. Clean inside of base and air cleaner cover thoroughly.
5. Install paper filter into base.
6. Install foam filter onto paper filter.
7. Install air cleaner cover on base.
8. Install wing nuts and tighten securely.

### At Temperatures of 32°F (0°C) and Below

1. Remove wing nuts from air cleaner cover. See Figure 45.
2. Remove air cleaner cover from base.
3. Rotate air cleaner cover in “WINTER” position shown. See Figure 46.
4. Install air cleaner cover onto base.

#### NOTE

Be sure air cleaner cover is in correct “WINTER” position with snowflake symbol visible.

5. Install wing nuts and tighten securely.

### At Temperatures Above 32°F (0°C)

1. Remove wing nuts from air cleaner cover. See Figure 45.
2. Remove air cleaner cover from base.
3. Rotate air cleaner cover in “SUMMER” position shown. See Figure 46.
4. Install air cleaner cover onto base.

#### NOTE

Be sure air cleaner cover is in correct “SUMMER” position with sun symbol visible.

5. Install wing nuts and tighten securely.

## I. Alternator (Optional)

For alternator related electrical problems such as:

- Inoperative Starter
- Discharged Battery
- Fuse Replacement
- Alternator Maintenance/Repairs

See your equipment manufacturer’s instructions and an Authorized Tecumseh Power Servicing Dealer.

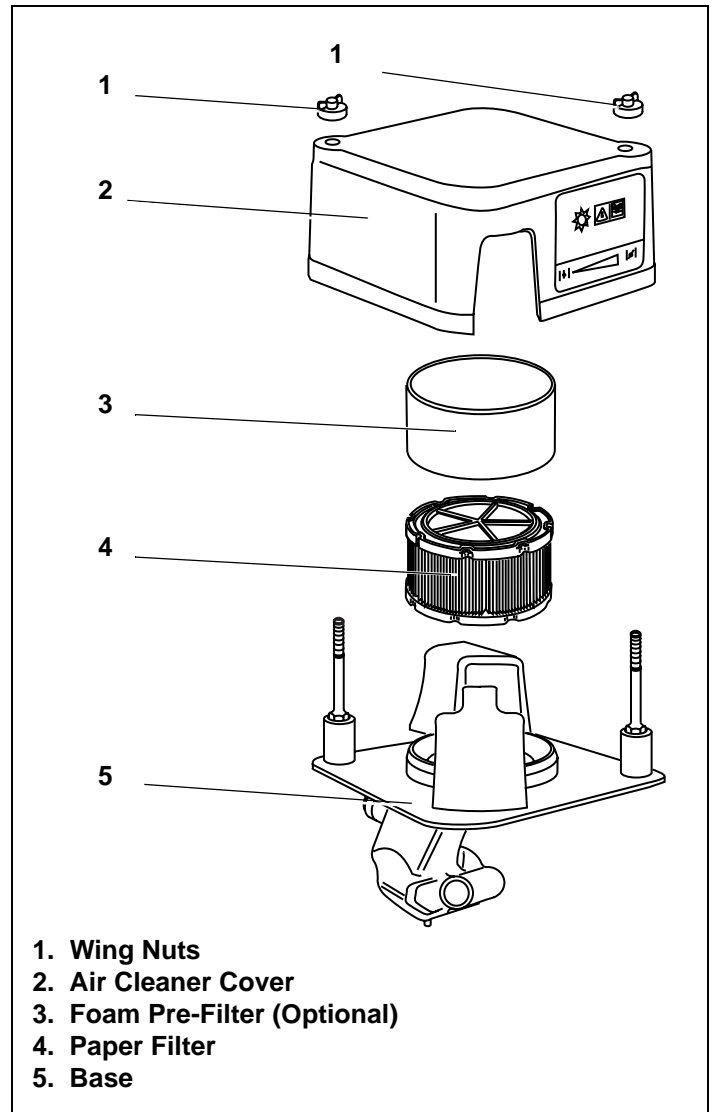


Figure 45. Type “E” Climate Guard Air Cleaner Assembly

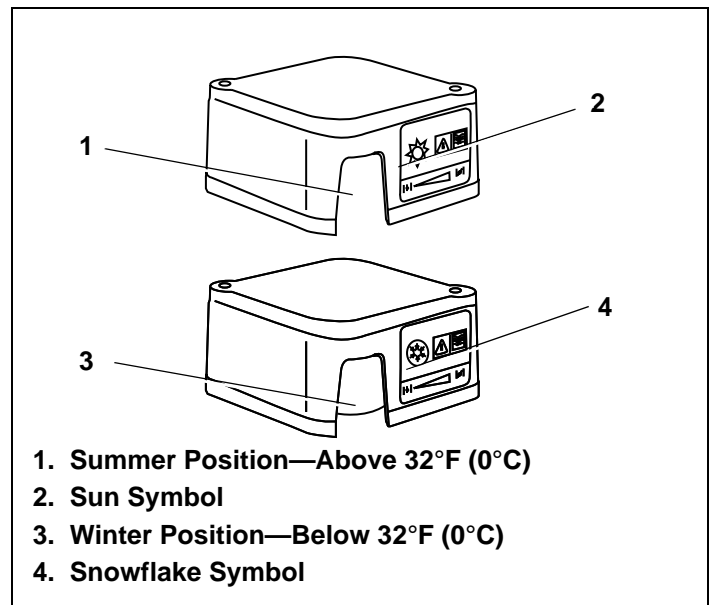


Figure 46. Air Cleaner Cover Positions

## J. Adjustments

DO NOT make any engine adjustments. Factory settings are satisfactory for most conditions. If adjustments are needed, contact your Authorized TecumsehPower Servicing Dealer.

## K. Carburetor

If you think your carburetor needs adjusting, see your nearest Authorized TecumsehPower Servicing Dealer. Engine performance should not be affected at altitudes up to 7,000 feet (2,134 meters). For operation at higher elevations, contact an Authorized TecumsehPower Servicing Dealer.

## L. Engine Speed

### **WARNING**

To avoid serious injury or death, DO NOT modify engine in any way.

Tampering with the governor setting can lead to a runaway engine and cause it to operate at unsafe speeds. NEVER tamper with factory setting of engine governor.

Running the engine faster than the speed set at the factory can be dangerous and will **VOID THE ENGINE WARRANTY.**

## IX. Storing Your Engine

### A. Short-Term/Seasonal Storage

#### I. Clean Engine

Before servicing the engine remove the carburetor cover and/or blower housing. Remove grass clippings, dirt and debris from the following areas:

- Cooling Fins
- Air Intake Screen
- Levers
- Linkage
- Guards
- Carburetor
- Head

Removing debris will insure adequate cooling, correct engine speed and reduce the risk of fire.

#### II. Fuel Storage

### **WARNING**

NEVER store engine with fuel in the fuel tank inside a building with potential sources of ignition such as hot water or space heaters, clothes dryers, electric motors, etc. Doing so may lead to an explosion resulting in death or serious injury.

#### NOTE

*If engine fuel stored in the gas tank and/or an approved gas container is to be unused without gasoline stabilizer for more than 15-30 days, prepare it for short-term/seasonal storage. See "IV. Fuel Treatment" instructions on page 26. Afterward, continue reading instructions below.*

*If engine fuel is to be stored for more than one season, without gasoline stabilizer, it will gradually deteriorate. Also, if it is stored in the engine's gas tank without gasoline stabilizer it is likely that your carburetor will have gum deposits, a clogged fuel system and **WILL VOID YOUR WARRANTY.** Prepare the fuel for extended storage. See "B. Extended Storage" instructions on page 26.*

### III. Fuel System

To avoid stale gas and carburetor problems, treat the fuel system in the following method below:

#### NOTES


*TecumsehPower Company recommends using ULTRA-FRESH™ Gasoline Stabilizer as an acceptable method of minimizing formation of fuel gum deposits during storage. This product is available from your Authorized TecumsehPower Servicing Dealer.*

*Always follow mix ratio found on stabilizer container. Failure to do so may result in equipment damage.*

*It is NOT necessary to empty stabilized gas from fuel tank.*

### IV. Fuel Treatment

1. Add fuel stabilizer according to manufacturer's instructions.
2. Run engine at least 10 minutes after adding stabilizer to allow it to reach carburetor.

 **WARNING** NEVER store engine with fuel in the fuel tank inside a building with potential sources of ignition such as hot water or space heaters, clothes dryers, electric motors, etc. Doing so may lead to an explosion resulting in death or serious injury.

#### NOTE

*Instead of using a fuel preservative/stabilizer, you can empty the fuel tank as described under "I. Draining Fuel" instructions. See "B. Extended Storage" instructions.*


### B. Extended Storage

#### I. Draining Fuel


#### NOTES

*Clean debris from engine before draining fuel from carburetor. See "I. Clean Engine" instructions on page 25. Afterward, continue reading instructions below.*

*If you have prepared your fuel for short-term storage it is NOT necessary to drain fuel that contains stabilizer from your carburetor. See "A. Short-Term/Seasonal Storage" instructions on page 25. Afterward, continue reading instructions below.*

 **WARNING** To avoid serious injury or death, DO NOT pour fuel from engine or siphon fuel by mouth.

1. To prevent serious injury from fuel fires, empty fuel tank by running engine until it stops from lack of fuel. DO NOT attempt to pour fuel from engine.
2. Run the engine while waiting until the remaining fuel is consumed.


 **WARNING** NEVER leave the engine unattended when it is running and NEVER run engine in enclosed areas to avoid death or serious injury.

3. Begin servicing the cylinder bore. See "II. Oil Cylinder Bore" instructions on page 27.

#### NOTE

*If you operate the engine during all four seasons, it is not necessary to lubricate the cylinder bore.*

## II. Oil Cylinder Bore

 **CAUTION** When lubricating cylinder bore, fuel may spray from spark plug hole. To prevent serious injury from fuel fires, follow these instructions:

1. Carefully disconnect spark plug wire and keep it away from spark plug. See “G. Avoid Accidental Starts” on page 3. Afterward, continue reading instructions below.
  - Keep the disconnected spark plug wire securely away from metal parts where arcing could occur.
  - Attach the spark plug wire to the grounding post, if provided.
  - Disconnect battery at negative terminal first, if engine is equipped with a DC electric starter.
  - Turn all engine switches to “OFF” position.
  - Remove ignition key, if provided.
2. Remove spark plug.
3. Squirt 1oz. (30 ml) of clean engine oil into spark plug hole.
4. Cover spark plug hole with rag to prevent fuel from spraying from spark plug hole when starter rope is pulled.

### NOTES

*For engines equipped with recoil starters proceed to Step 5.*

*For engines equipped with electric starters proceed to Step 6.*

5. Grasp starter cord handle.
  - a. Pull starter cord handle out slowly using a full arm stroke.
  - b. Repeat once. (This will distribute oil throughout the cylinder to prevent corrosion during storage.)
6. Remove rag covering spark plug hole.
7. Install spark plug.
8. Carefully disconnect spark plug wire from grounding post, if provided.
9. Connect spark plug wire to spark plug before attempting to start engine.

## III. Battery

See equipment manufacturer’s instructions for proper battery storage, if machine is equipped with a battery.

## IV. Clean Engine

Remove any grass clippings, dirt, debris, snow, ice or slush from exterior of engine.

## X. Preventing Forest, Brush and Grass Fires

Local, state and federal laws may require use of a spark arrester to prevent fires. For example, it is a violation of California Public Resources Code (section 4442) to use or operate engine on any forest-covered, brush-covered or unimproved grass-covered land unless engine is equipped with a spark arrester. Spark arrester must be maintained in effective working order by owner and/or operator.

To determine if your engine has a spark arrester, locate the muffler on your engine. For example, the muffler discharge will have a spark arrester cover that reads “Screen Type 36085”.

If your engine does NOT have a spark arrester, you may purchase one from your Authorized TecumsehPower Servicing Dealer. In some cases the muffler may need to be replaced to allow the spark arrester to be installed.

# XI. Maintenance Intervals

Maintenance is one of the most important things that you can do to extend the life of your TecumsehPower engine. If you are unable to perform maintenance intervals yourself, contact your nearest Authorized TecumsehPower Servicing Dealer. Find them on our website at [www.TecumsehPower.com](http://www.TecumsehPower.com) or call TecumsehPower Company at 1-800-558-5402 for additional information.

ALWAYS promptly follow maintenance intervals listed in this manual. See Table 7.

**Table 7. Maintenance Intervals**

Procedure	Time
Change Oil	<b>After First 2 Hours When Engine is Warm</b>
Check Oil Level	<b>Every 5 Hours or Before Each Use</b>
Clean Cooling Fins	<b>Every 5 Hours or Before Each Use</b>
Change Oil	<b>Every 25 Hours or 3 Months</b>
Clean Foam Pre-Filter	<b>Every 25 Hours or 3 Months</b>
Replace Paper Filter	<b>Every 100 Hours or Seasonally</b>
Check Spark Plug	<b>Every 100 Hours or Seasonally</b>
Replace Spark Plug	<b>Every 200 Hours or Seasonally</b>

## Scheduled Maintenance

### After First 2 Hours When Engine is Warm

#### 1. Change Oil

Date \_\_\_\_\_ Owner/Dealer

## Every 5 Hours or Before Each Use

### 1. Check Oil Level

### 2. Clean Cooling Fins

Date \_\_\_\_\_ Owner/Dealer  
 Date \_\_\_\_\_ Owner/Dealer  
 Date \_\_\_\_\_ Owner/Dealer  
 Date \_\_\_\_\_ Owner/Dealer  
 Date \_\_\_\_\_ Owner/Dealer  
 Date \_\_\_\_\_ Owner/Dealer  
 Date \_\_\_\_\_ Owner/Dealer  
 Date \_\_\_\_\_ Owner/Dealer  
 Date \_\_\_\_\_ Owner/Dealer  
 Date \_\_\_\_\_ Owner/Dealer  
 Date \_\_\_\_\_ Owner/Dealer  
 Date \_\_\_\_\_ Owner/Dealer  
 Date \_\_\_\_\_ Owner/Dealer  
 Date \_\_\_\_\_ Owner/Dealer  
 Date \_\_\_\_\_ Owner/Dealer  
 Date \_\_\_\_\_ Owner/Dealer  
 Date \_\_\_\_\_ Owner/Dealer  
 Date \_\_\_\_\_ Owner/Dealer  
 Date \_\_\_\_\_ Owner/Dealer  
 Date \_\_\_\_\_ Owner/Dealer  
 Date \_\_\_\_\_ Owner/Dealer  
 Date \_\_\_\_\_ Owner/Dealer  
 Date \_\_\_\_\_ Owner/Dealer  
 Date \_\_\_\_\_ Owner/Dealer  
 Date \_\_\_\_\_ Owner/Dealer  
 Date \_\_\_\_\_ Owner/Dealer  
 Date \_\_\_\_\_ Owner/Dealer

















## CALIFORNIA & US EPA EMISSION CONTROL WARRANTY STATEMENT

The U. S. Environmental Protection Agency (“EPA”), the California Air Resources Board (“CARB”) and TecumsehPower Company are pleased to explain the Federal and California Emission Control Systems Warranty on your new small off-road engine. In California, new 1995 and later small off-road engines must be designed, built and equipped to meet the State’s stringent anti-smog standards. In other states, new 1997 and later model year engines must be designed, built and equipped, at the time of sale, to meet the U.S. EPA regulations for small non-road engines. TecumsehPower Company will warrant the emission control system on your small off-road engine for the periods of time listed below, provided there has been no abuse, neglect, unapproved modification, or improper maintenance of your small off-road engine.

Your emission control system may include parts such as the carburetor, air cleaner assembly, ignition system, exhaust system, crankcase breather assembly and, the evaporative control system. Also included may be the compression release system and other emission-related assemblies.

Where a warrantable condition exists, TecumsehPower Company will repair your small off-road engine at no cost to you for diagnosis, parts and labor.

### MANUFACTURER’S EMISSION CONTROL SYSTEM WARRANTY COVERAGE

Emission control systems on 1995 and later model year California small off-road engines are warranted for two years as hereinafter noted. In other states, 1997 and later model year engines are also warranted for two years. If, during such warranty period, any emission-related part on your engine is defective in materials or workmanship, the part will be repaired or replaced by TecumsehPower Company.

### OWNER’S WARRANTY RESPONSIBILITIES

As the small off-road engine owner, you are responsible for the performance of the required maintenance listed in your Operator’s Manual, but TecumsehPower Company will not deny warranty solely due to the lack of receipts or for your failure to provide written evidence of the performance of all scheduled maintenance.

As the small off-road engine owner, you should, however, be aware that TecumsehPower Company may deny you warranty coverage if your small off-road engine or a part thereof has failed due to abuse, neglect, improper maintenance or unapproved modifications.

You are responsible for presenting your small off-road engine to a TecumsehPower Authorized Service Outlet

(any TecumsehPower Registered Service Dealer, TecumsehPower Authorized Service Distributor or TecumsehPower Central Warehouse Distributor) as soon as a problem exists. The warranty repairs should be completed in a reasonable amount of time, not to exceed 30 days.

Warranty service can be arranged by contacting either an Authorized TecumsehPower Servicing Dealer and/or TecumsehPower Company, c/o Service Manager, 900 North Street, Grafton, WI 53024-1499. Telephone 1-262-377-2700 [or in USA/Canada call 1-800-558-5402].

### IMPORTANT NOTE

This warranty statement explains your rights and obligations under the Emission Control System Warranty (“ECS Warranty”) which is provided to you by TecumsehPower Company pursuant to California law. TecumsehPower Company also provides to original purchasers of new TecumsehPower engines the TecumsehPower Company Limited Warranties for New TecumsehPower Engines and Electronic Ignition Modules. The TecumsehPower Company Limited Warranties for New TecumsehPower Engines and Electronic Ignition Modules (“TecumsehPower Company Warranty”) are located on the back cover of the Operator’s Manual, enclosed with all new TecumsehPower engines. The ECS Warranty applies only to the emission control system of your new engine. To the extent that there is any conflict in terms between the ECS Warranty and the TecumsehPower Company Warranty, the ECS Warranty shall apply except in any circumstances in which the TecumsehPower Company Warranty may provide a longer warranty period. Both the ECS Warranty and the TecumsehPower Company Warranty describe important rights and obligations with respect to your new engine.

Warranty service can only be performed by a TecumsehPower Authorized Servicing Dealer. At the time of requesting warranty service, evidence must be presented of the date of sale to the original purchaser. The purchaser shall pay any charges for making service calls and/or for transporting the products to and from the place where the inspection and/or warranty work is performed. The purchaser shall be responsible for any damage or loss incurred in connection with the transportation of any engine or any part(s) thereof submitted for inspection and/or warranty work.

If you have any questions regarding your warranty rights and responsibilities, you should contact TecumsehPower Company at 1-262-377-2700 or in USA/Canada call 1-800-558-5402.

Revised February 2008

### IMPORTANT!

The Emission Regulations may be different for your country. The Emissions Control Warranty Statement is only applicable to engines with an emissions compliance statement and decal that references “Emissions Regulations”.

## EMISSION CONTROL SYSTEM WARRANTY

Emission Control System Warranty (“ECS Warranty”) for 1995 and later model year California small off-road engines (for other states, 1997 and later model year engines):

**A. APPLICABILITY:** This warranty shall apply to 1995 and later model year California small off-road engines (for other states, 1997 and later model year engines). The ECS Warranty Period shall begin on the date the new engine or equipment is delivered to its original, end-use purchaser, and shall continue for 24 consecutive months thereafter.

**B. GENERAL EMISSIONS WARRANTY COVERAGE:**

TecumsehPower Company warrants to the original, end-use purchaser of the new engine or equipment and to each subsequent purchaser that each of its small off-road engines is:

1. Designed, built and equipped so as to conform with all applicable regulations adopted by the Air Resources Board pursuant to its authority in Chapters 1 and 2, Part 5, Division 26 of the Health and Safety Code, and
2. Free from defects in materials and workmanship which, at any time during the ECS Warranty Period, will cause a warranted emissions-related part to fail to be identical in all material respects to the part as described in the engine manufacturer’s application for certification.

**C. THE ECS WARRANTY ONLY PERTAINS TO EMISSION-RELATED PARTS ON YOUR ENGINE AS FOLLOWS:**

1. Any warranted, emissions-related parts which are not scheduled for replacement as required maintenance in the Operator’s Manual shall be warranted for the ECS Warranty Period. If any such part fails during the ECS Warranty Period, it shall be repaired or replaced by TecumsehPower Company according to Subsection 4 below. Any such part repaired or replaced under the ECS Warranty shall be warranted for any remainder of the ECS Warranty Period.
2. Any warranted, emissions-related part which is scheduled only for regular inspection as specified in the Operator’s Manual shall be warranted for the ECS Warranty Period. A statement in such written instructions to the effect of “repair or replace as necessary”, shall not reduce the ECS Warranty Period. Any such part repaired or replaced under the ECS Warranty shall be warranted for the remainder of the ECS Warranty Period.
3. Any warranted, emissions-related part which is scheduled for replacement as required maintenance in the Operator’s Manual, shall be warranted for the period of time prior to the first scheduled replacement point for that part. If the part fails prior to the first scheduled replacement, the part shall be repaired or replaced by TecumsehPower Company according to Subsection 4 below. Any such emissions-related part repaired or replaced under the ECS Warranty, shall be warranted for the remainder of the ECS Warranty Period prior to the first scheduled replacement point for such emissions-related part.
4. Repair or replacement of any warranted, emissions-related part under this ECS Warranty shall be performed at no charge to the owner at a TecumsehPower Authorized Service Outlet.

5. The owner shall not be charged for diagnostic labor which leads to the determination that a part covered by the ECS Warranty is in fact defective, provided that such diagnostic work is performed at a TecumsehPower Authorized Service Outlet.
6. TecumsehPower Company shall be liable for damages to other original engine components or approved modifications proximately caused by a failure under warranty of an emission-related part covered by the ECS Warranty.
7. Throughout the ECS Warranty Period, TecumsehPower Company shall maintain a supply of warranted emission-related parts sufficient to meet the expected demand for such emission-related parts.
8. Any TecumsehPower Company authorized and approved emission-related replacement part may be used in the performance of any ECS Warranty maintenance or repair and will be provided without charge to the owner. Such use shall not reduce TecumsehPower Company ECS Warranty obligations.
9. Unapproved add-on or modified parts may not be used to modify or repair a TecumsehPower engine. Such use voids this ECS Warranty and shall be sufficient grounds for disallowing an ECS Warranty claim. TecumsehPower Company shall not be liable hereunder for failures of any warranted parts of a TecumsehPower engine caused by the use of such an unapproved add-on or modified part.

**EMISSION-RELATED PARTS INCLUDE THE FOLLOWING:**

1. Carburetor Assembly including internal components:
  - a) Carburetor gaskets
  - b) Intake pipe
2. Air Cleaner Assembly including components:
  - a) Air filter element
3. Ignition System including components:
  - a) Spark plug
  - b) Ignition module
  - c) Flywheel assembly
4. Exhaust System including components:
  - a) Catalytic muffler (*if so equipped*)
  - b) Muffler gasket (*if so equipped*)
  - c) Exhaust manifold (*if so equipped*)
5. Crankcase Breather Assembly including components
  - a) Breather connection tube
6. Evaporative Control System including components:
  - a) Fuel line(s)
  - b) Fuel filter
  - c) Canister (*if so equipped*)
  - d) Fuel tank (*if so equipped*)
  - e) Fuel fill cap (*if so equipped*)

Revised February 2008

### IMPORTANT!

The Emission Regulations may be different for your country. The Emissions Control Warranty Statement is only applicable to engines with an emissions compliance statement and decal that references “Emissions Regulations”.

## XII. Warranty Information

Warranty requirements for engines sold outside of the USA may vary from country to country. For warranty details for your specific country, contact your national TecumsehPower Service Distributor. If help is needed in locating your national service distributor, you may contact TecumsehPower Company c/o International Service Coordinator, 900 North Street, Grafton, Wisconsin USA 53024-1499. Telephone is 1-262-377-2700 or in USA/Canada call 1-800-558-5402.

### Limited Warranty for New TecumsehPower Engines and Electronic Ignition Modules

For the time period shown below from the date of purchase, TecumsehPower Company will, at its option as the exclusive remedy, either repair or replace for the original purchaser, free of charge, any part of any new TecumsehPower engine which is found, upon examination by any Authorized TecumsehPower Servicing Dealer to be DEFECTIVE IN MATERIAL AND/OR WORKMANSHIP, except as provided below. This Limited Warranty DOES NOT COVER (i) any TecumsehPower engine or part(s) thereof used to power any vehicle in competitive racing and/or used on any commercial or rental track, or (ii) defects or damage caused by alterations or modifications of new TecumsehPower engines or parts or by normal wear, accidents, improper maintenance, improper use or abuse of the product, or failure to follow the instructions contained in an Instruction Manual for the operation of the new TecumsehPower engine or part. The cost of normal maintenance or replacement of service items which are not defective shall be paid for by the original purchaser. At the time warranty service is requested, evidence must be presented of the date of purchase by the original purchaser. Any charge for making service calls and/or for transporting any engine or part(s) thereof to and from the place where the inspection and/or warranty work is performed is payable solely by the purchaser. The purchaser is responsible for any damage or loss incurred in connection with the transportation of any engine or part(s) thereof submitted for inspection and/or warranty work. Warranty service can only be performed by an Authorized TecumsehPower Servicing DEALER. Warranty service can be arranged by contacting either a TecumsehPower Authorized Service Outlet (any TecumsehPower Registered Service Dealer, TecumsehPower Master Service Dealer, TecumsehPower Authorized Service Distributor, or TecumsehPower Central Warehouse Distributor) or by contacting TecumsehPower Company c/o Service Manager, 900 North Street, Grafton, Wisconsin 53024-1499.

## ENGINE WARRANTY PERIOD

### Consumer Use+

WARRANTY CATEGORY~	WITHIN USA & CANADA	OUTSIDE USA & CANADA
(A)	90 day	90 day
(B)	1 year	1 year
(C)	2 years	1 year
(D)	2 years	2 years**
(E)	2 years	2 years
(H)	2 'n 10*	2 'n 10*
(K)	2 'n 10*	2 'n 10*

### Commercial Use++

WARRANTY CATEGORY~	WITHIN USA & CANADA	OUTSIDE USA & CANADA
(A)	No Warranty	No Warranty
(B)	1 year	1 year
(C)	1 year	1 year
(D)	1 year	1 year
(E)	1 year	1 year
(H)	1 year	1 year
(K)	2 'n 10*	1 year

\* 2 years on engine, 10 years (the first 5 years covering parts and labor only; the second 5 years covering parts only) on electronic ignition.

\*\* 1 year for Australian/New Zealand for rotary mower engines.

+ For purposes of this warranty policy, "consumer use" shall mean consumer's personal, residential, household use by the original retail purchaser.

++ For purposes of this warranty policy, "commercial use" shall mean all other uses, including use for commercial, income producing, or rental purposes.

~ The engine warranty category of your engine can be determined by review of the engine model number on the "Important Engine Information" decal. One letter in the engine model number will be preceded by the word WARRANTY: and surrounded by parens (A), (B), (C), (D), (E), (H) or (K) and that letter is your engine warranty category designation. IN CALIFORNIA ONLY, THIS EXPRESS WARRANTY IS SUPPLEMENTED BY THE TECUMSEHPower COMPANY CALIFORNIA EMISSION CONTROL WARRANTY STATEMENT.

**THIS EXPRESS WARRANTY IS IN LIEU OF ALL OTHER EXPRESS WARRANTIES.** Neither TecumsehPower Company nor any of its affiliates makes any warranties, representations, or promises, written or oral, as to the quality of the engine or any of its parts, other than as set forth herein. **ANY IMPLIED WARRANTY OF MARKETABILITY OR FITNESS FOR A PARTICULAR PURPOSE, TO THE EXTENT THAT EITHER MAY APPLY TO ANY TECUMSEHPower ENGINE OR PART(S) THEREOF, SHALL BE LIMITED IN DURATION TO THE PERIODS OF THE EXPRESS WARRANTIES SHOWN IN THE WARRANTY PERIOD CHART ABOVE AND TO THE EXTENT PERMITTED BY LAW AND ANY AND ALL IMPLIED WARRANTIES ARE EXCLUDED. IN NO EVENT WILL TECUMSEHPower BE LIABLE FOR ANY INCIDENTAL, CONSEQUENTIAL OR SPECIAL DAMAGES AND/OR EXPENSES.** Some states do not allow limitations on how long an implied warranty lasts or the exclusion or limitation of incidental or consequential damages, so the above limitation(s) or exclusion(s) may not apply to you. This Limited Warranty gives you specific legal rights and you may also have other legal rights which vary from state-to-state.

Revised February 2008

## WARNING

### CALIFORNIA PROPOSITION 65

The engine exhaust from this product contains chemicals known to the State of California to cause cancer, birth defects or other reproductive harm.



TecumsehPower Company • Grafton, Wisconsin 53024-1499 • USA

Telephone: 1-800-558-5402

Visit us at: [www.TecumsehPower.com](http://www.TecumsehPower.com)

**181-1269-14**  
**(English) 7/01/08**