

In-Sash Clad Windows

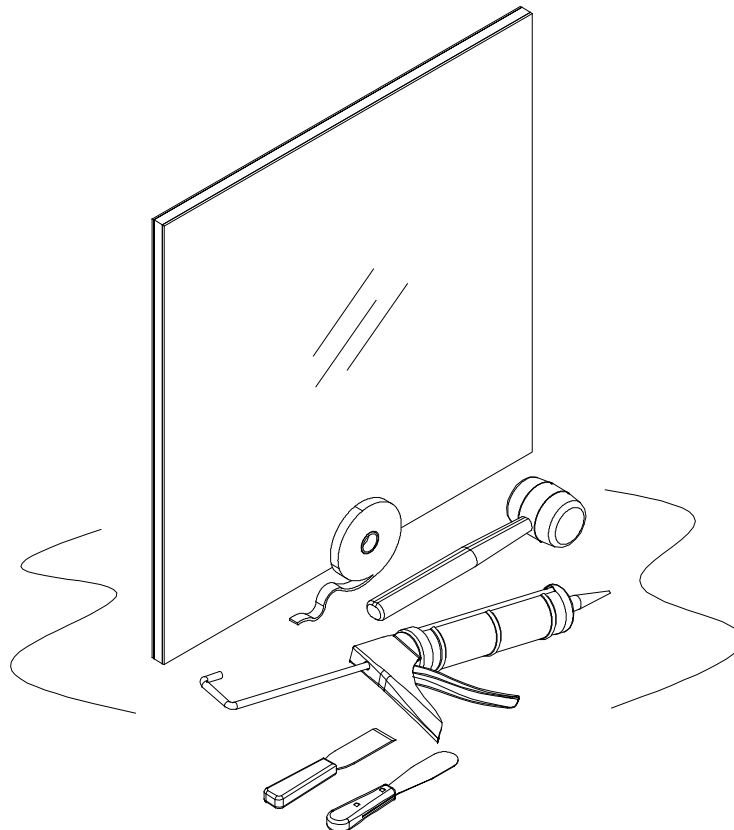
Reglazing Instructions

Exterior Glazed

Clad Double Hung Tilt Pac
Clad Double Hung Magnum
Clad Glider

Interior Glazed

Clad Tilt-Turn/Hopper/Inswing Casement
Clad Casemaster Round Tops



BEFORE YOU BEGIN

- Read these instructions thoroughly **BEFORE** beginning to reglaze your Marvin window or door product.
- Alterations to Marvin products including window films, insulating or reflective interior window treatments or additional glazings can cause excessive heat buildup and/or condensation. This may lead to premature failures not covered under warranty by Marvin Windows and Doors.
- Prior to beginning, inspect new glass for: size and type, cracks, scratches, collapse, water spots, dirt or other imperfections.

- Replacement parts listed within these instructions may be obtained by contacting your Marvin representative.

WARNING: Practice safety! Wear safety glasses or goggles and appropriate safety equipment when installing or performing adjustments to a Marvin window or door product.

ATTENTION: Specifications and technical data are subject to change without notice.

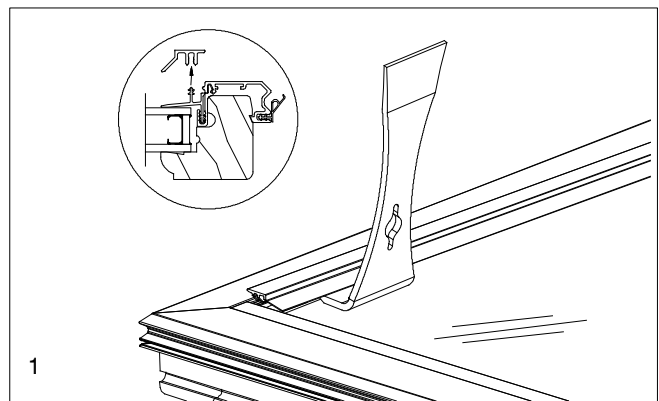
NOTE: Numbers listed in parentheses () are metric equivalents in millimeters rounded to the nearest whole number.

The following **EXTERIOR GLAZED** products incorporate an interior glass rabbet, interior sealant glazing, exterior vinyl glazing bead and exterior aluminum glazing cap: Clad Glider, Clad Double Hung Tilt Pac and Clad Magnum Double Hung.

IMPORTANT: Clad Gliders and Double Hung Tilt Pac do not use an exterior aluminum glazing cap except on units with simulated divided lites or evergreen clad units. Glass thickness on these products will vary.

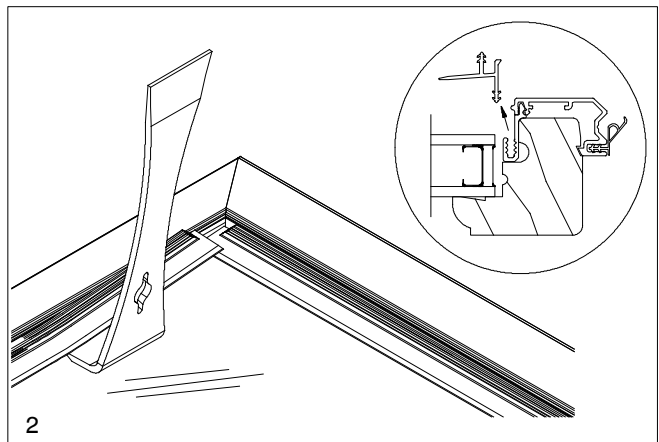
The following **INTERIOR GLAZED** products incorporate an exterior glass rabbet, exterior glazing tape, interior wood bead and interior sealant glazing: Tilt Turns, Hoppers, Inswing Casement and Clad Casemaster In-Sash Round Tops.

2. If applicable, remove aluminum glazing cap by sliding a small pry bar between the cap and glass and prying away from the vinyl glazing bead. See illustration 1.



NOTE: Not necessary on clad sash that use only an exterior vinyl glazing bead.

3. Remove vinyl glazing bead from the sash leg by prying up with a small pry bar as shown in illustration 2.



CAUTION: If reglazing sash installed in unit frame, assistance will be necessary while attempting the following procedures. Glass may fall out if not held in place from the exterior while cutting the interior glazing seal.

INDEX	Page
Reglazing Exterior Glazed Sash	3.2.3
Removing Old Glass	3.2.3
Installing New Glass	3.2.4
Reglazing Interior Glazed Sash	3.2.5
Removing Old Glass	3.2.5
Installing New Glass	3.2.5

REGLAZING EXTERIOR GLAZED SASH

- STANDARD PARTS NEEDED**
- Exterior vinyl glazing bead
 - Aluminum glazing cap
 - Replacement glass

- YOU WILL NEED TO SUPPLY**
- | | |
|---|--------------------------|
| Safety glasses | Protective gloves |
| Small pry bar | Side cutter |
| Rubber mallet | Stiff bladed putty knife |
| Flexible putty knife | |
| Grade NS Class 25 sealant per ASTM C920 | |

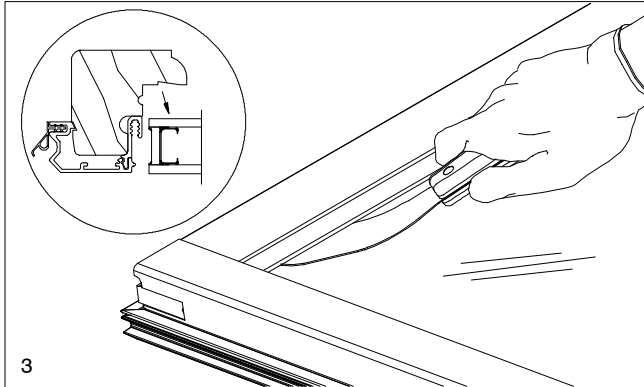
CAUTION: Use extreme care when reglazing or handling broken glass. Always use proper eye and hand protection.

Removing Old Glass

1. If possible, remove sash from frame and place on flat sturdy surface exterior side up (stationary sash are normally reglazed in position).

REGLAZING, IN-SASH CLAD WINDOWS

- Carefully turn sash over. Slide a flexible putty knife between interior glass rabbet and glass. Push knife around perimeter of glass. See illustration 3. More than one pass may be needed to completely free glass from sash frame. If necessary carefully push the glass out from interior and remove. Note position of setting blocks, remove, and set aside for later use .

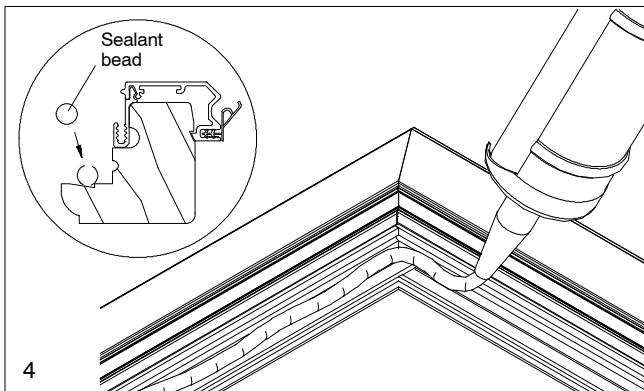


- Clean all remaining glazing sealant or adhesive tape residue from glass rabbet. It is very important that glazing surfaces are free from debris to ensure a proper seal on new glass.

Installing New Glass

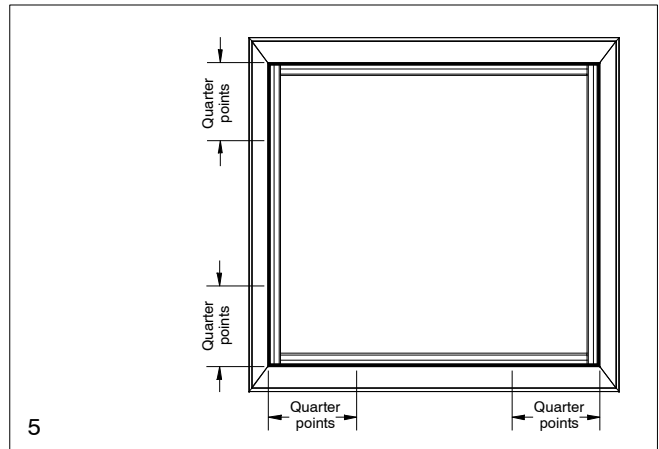
CAUTION: Always wear proper eye and hand protection when handling replacement glass.

- Run a 3/16" - 1/4" (5-6) bead of sealant on the interior glazing level of glass rabbet as shown in illustration 4.

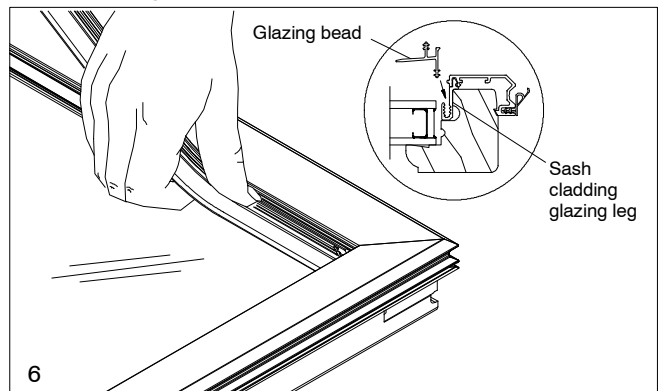


NOTE: If reglazing with sash installed in frame be sure to replace setting blocks on bottom rail prior to installing glass.

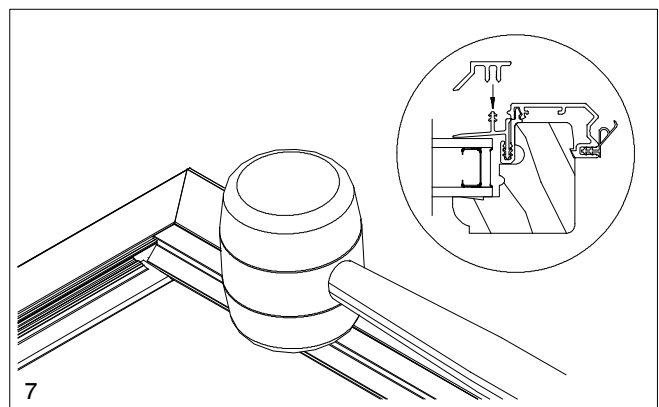
- Carefully set replacement glass into sash frame. If reglazing with sash installed set bottom of glass on bottom rail then tip into place.
- Glass must be blocked on bottom rail and at least one side at quarter points before the sealant sets. If possible reuse glass setting blocks removed previously. See illustration 5 for correct location of setting blocks. Press glass into sealant at edges to ensure a proper seal.



- Starting with the rails, install vinyl glazing bead. Press connecting barb into sash cladding glazing leg as shown in illustration 6. Next, install stile glazing bead flush against rail bead.



- If applicable, install aluminum glazing cap, starting with the rails first. Slide cap flush with sash cladding and tap onto vinyl glazing bead connecting barb with a rubber mallet as shown in illustration 7. Install stile glazing cap in the same manner flush against rail cap.



- Replace sash if removed from frame.

NOTE: Do not clean excess sealant from glass until fully cured (at least 24 hours).

REGLAZING INTERIOR GLAZED SASH

STANDARD PARTS NEEDED

Matching wood glazing bead
Replacement glass
Glazing tape - 1/16" x 5/8" (woodbead)
Glazing tape - 1/16" x 1/2" (sash)

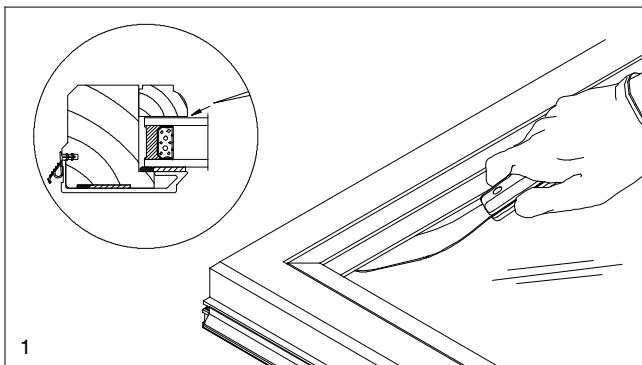
YOU WILL NEED TO SUPPLY

Safety glasses	Protective gloves
Small pry bar	Side cutter
Stiff bladed putty knife	Hammer
Flexible putty knife	Nail set
Wood filler	1 1/4" 16 ga. brad nails
Grade NS Class 25 sealant per ASTM C920	

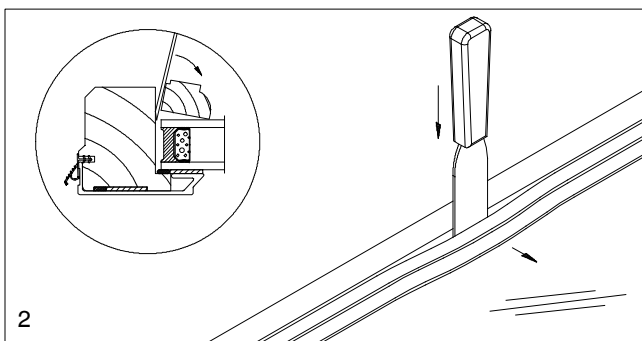
CAUTION: Use extreme care when reglazing or handling glass. Always use proper eye and hand protection.

Removing Old Glass

1. If possible, remove sash from frame and place on a flat sturdy surface interior side up (stationary sash are normally reglazed in position).
2. Cut the glazing seal by sliding a flexible putty knife between interior wood bead and glass along the entire perimeter of sash as shown in illustration 1.



3. Starting at the center of each piece, remove the wood bead by cutting between the bead and sash with a stiff bladed putty knife, prying the bead away from the sash. See illustration 2.

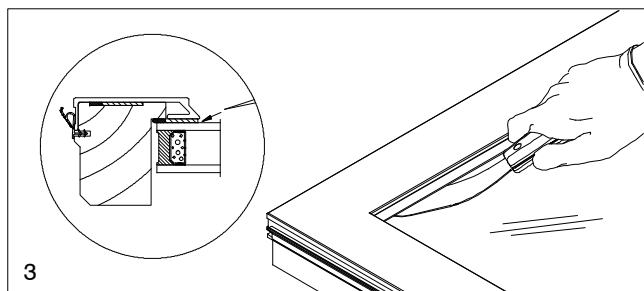


CAUTION: Be careful not to mar the sash while removing the wood bead. If reusing take care not to damage or split wood bead during removal.

4. Remove all staples from sash with a side cutter.

CAUTION: If reglazing sash installed in unit frame, assistance will be necessary while attempting the following procedures. Glass may fall out if not held in place from the interior while cutting the exterior glazing seal.

5. Carefully turn the sash over. Slide a flexible putty knife between the exterior cladding and glass. Push knife around perimeter of glass. See illustration 3. More than one pass may be needed to completely free glass from sash frame. If necessary carefully push the glass out from the exterior and remove. Note position of setting blocks, remove, and set aside for reuse later.

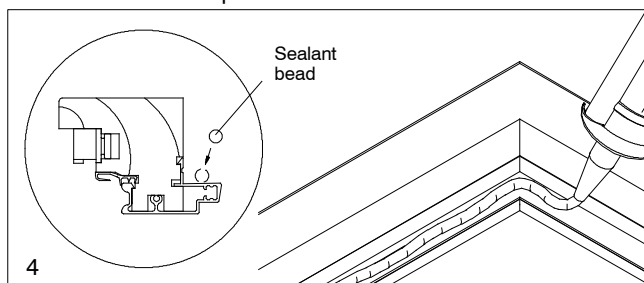


6. Clean all remaining glazing sealant from cladding and wood bead (if it is to be reused). It is very important that glazing surfaces are free from debris to ensure a proper seal on new glass.

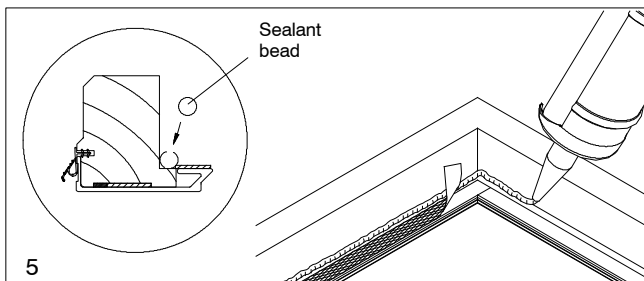
Installing New Glass

CAUTION: Always wear proper eye and hand protection when handling replacement glass.

7. For clad Casemaster Round Top units, proceed to step 8. For other interior glazed units, position sash frame with interior side up. Place a 3/16-1/4" bead of sealant centered on the glass rabbet as shown in illustration 4. Proceed to step 9.



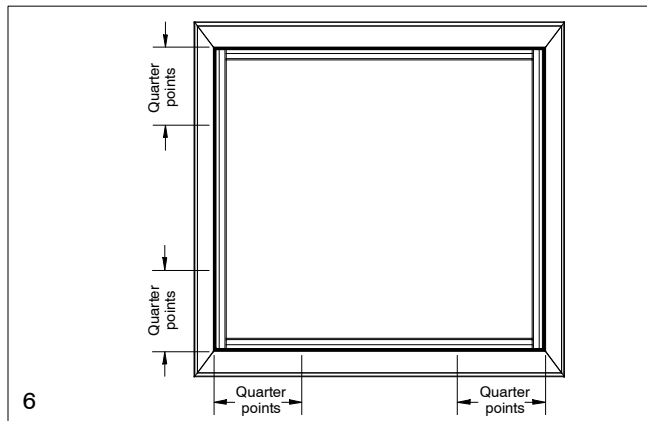
8. For clad Casemaster Round Top units, position sash frame with interior side up. Apply 1/2" glazing tape flush with cladding on glazing rabbet. Remove paper backing from tape. Apply a 1/8" (3) bead of sealant behind tape. See illustration 5.



REGLAZING, IN-SASH CLAD WINDOWS

NOTE: If reglazing with sash installed in frame be sure to replace setting blocks on bottom rail prior to installing glass. See illustration below for correct placement of setting blocks.

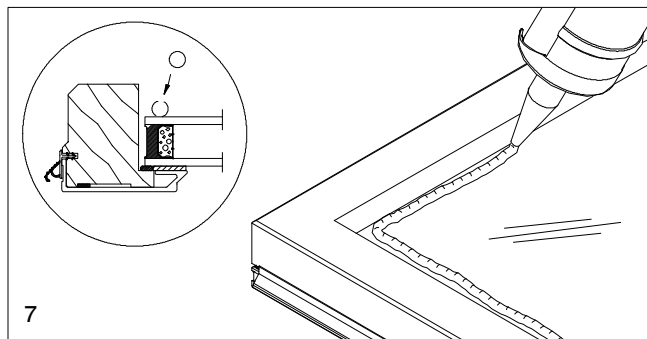
9. Carefully set replacement glass into sash frame. If reglazing with sash installed set bottom of glass on bottom rail then tip into place.
10. Glass must be blocked on the bottom rail and at least one side at quarter points before the sealant sets. If possible reuse the glass setting blocks removed previously. See illustration 6 for correct location of setting blocks. Press glass into sealant and/or tape at edges to ensure a proper seal.



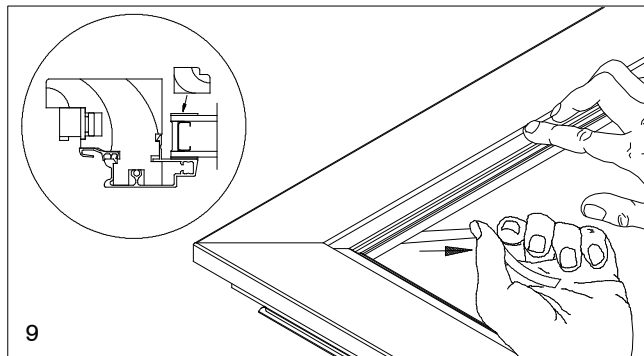
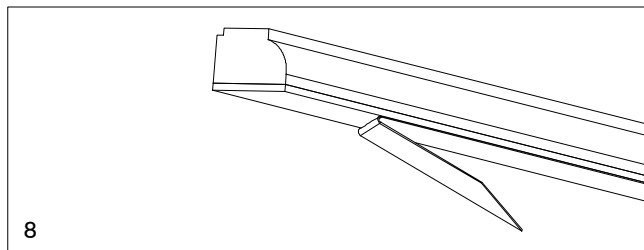
11. Dry fit replacement wood bead to ensure a proper fit. Some trimming may be necessary. On units that use glazing tape DO NOT remove paper backing. Begin with the shortest pieces first then install the longer pieces. On Round Top units install radius wood bead first then the bottom rail bead. When all wood bead components fit correctly remove and proceed to next step.

NOTE: If reusing old wood bead make sure the bottom side of bead is free from debris or adhesive residue. Apply new glazing tape to the bottom of bead flush with the interior edge.

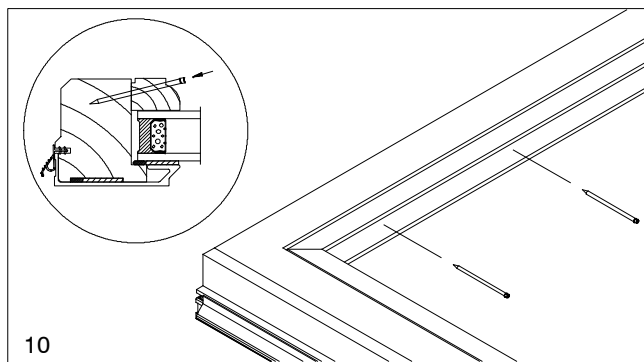
12. For clad Casemaster Round Top units, place a 3/16" bead of sealant around the glass perimeter centered over the glass spacer as shown in illustration 7. Proceed to step 14.



13. On units that utilize glazing tape, fold ends of the protective backing on the glazing tape back slightly leaving 1"-2" (25-52) of the glazing tape visible when removed. See illustration 8. Beginning with the shortest pieces (or radius on a round top) install wood bead. When properly positioned remove backing and press into place. See illustration 9.



14. When all bead is in place press down firmly and nail to sash 1" from each corner and every 4"-6" (102-152) with 1 1/4" 16 gauge brad nails. Be careful not to angle nail toward glass. See illustration 10.



15. When wood bead is completely fastened, countersink nails with a nail set. Fill nail holes with wood filler and finish as desired following manufacturer's instructions.
16. Replace sash if removed from unit frame.

NOTE: Do not clean excess sealant from glass until fully cured (at least 24 hours).