



EUROPEAN TOUCH
The World's Finest Pedicure Spas

RINATO XL SPA

SERVICE MANUAL



EUROPEAN TOUCH™

TABLE OF CONTENTS

IMPORTANT SAFETY INSTRUCTIONS	3
WARNINGS	3
DANGER	3
IMPORTANT REQUIREMENTS	4
LOCATION AND SUPPORT	4
LOCATION DIMENSIONS	5
ATTACHING THE SEAT BACK CUSHION	6
SEAT BACK ATTACHMENT.....	6
INSTALLING THE FLOOR MOUNTING BRACKETS.....	7
INSTALLING AND REMOVING THE SHELLS.....	8
REMOVING AND REPLACING DRAIN KNOB.....	9
REMOVING AND REPLACING DRAIN STRAINER	9
DISASSEMBLING AND REMOVING CLEAN TOUCH COMPONENTS	10
<i>WIRED FOR SOUND OPTION – HARD WIRED FOR SOUND.....</i>	<i>11</i>
<i>WIRED FOR SOUND OPTION – EQUIPPED WITH SPEAKERS IN NECK PILLOW.....</i>	<i>11</i>
REPLACEMENT PARTS.....	12
FULL ASSEMBLY	12
BASIN ASSEMBLY	14
INLET COVER AND RELATED PARTS.....	15
MOTOR ASSEMBLY	15
DRAIN ASSEMBLY.....	16
SEAT MOVEMENT	16
POWER DRAIN PUMP ASSEMBLY.....	17
HIGH CAPACITY PUMP ASSEMBLY	17
GENERAL TROUBLESHOOTING GUIDE	18
HISTORY AND NOTES	19



EUROPEAN TOUCH™

IMPORTANT SAFETY INSTRUCTIONS

When using an electrical appliance, basic precautions should always be followed, including the following: Read all instructions before using this appliance.

WARNINGS

To reduce the risk of burns, fire, electric shock, or injury to persons...

- Use this appliance only for its intended use. Do not use attachments not recommended by the manufacturer.
- Never operate this appliance if it has a damaged cord or plug, if it is not working properly, if it has been dropped or damaged, or dropped into water.
- Never drop or insert any object into any opening.
- Do not use outdoors.
- Do not operate where aerosol (spray) products are being used or where oxygen is being administered.
- Excessive water temperature is dangerous and should be checked before use. Maximum operating water temperature should not exceed 105° F (41° C) and the maximum supply water temperature should not exceed 120° F (49° C).
- Always enter and exit the pedicure spa slowly and carefully.
- Never bring or operate any electrical devices into or near the pedicure spa.
- This pedicure spa has a weight capacity of 350 pounds.
- Do Not Crush – Avoid sharp folds.
- Do not stand on or in appliance.
- Use only while seated.
- Keep children away from extended foot support.
- Connect this appliance to a properly grounded outlet only. See Grounding Instructions within the install manual.

DANGER

- Never use pins or other metallic fasteners with this appliance. • Carefully examine the covering before each use.
- Discard the appliance if the covering shows any sign of deterioration, such as checking, blistering, or cracking.
- Keep electrical components dry – Do not operate in a wet or moist environment.

Note: Always verify maximum water temperatures with your local & state codes.

SAVE THESE INSTRUCTIONS



EUROPEAN TOUCH™

IMPORTANT REQUIREMENTS

EUROPEAN TOUCH requires that you contact a local, licensed plumber and licensed electrician to install your new pedicure spa. Installation must be in compliance with all your local and state building codes. Your pedicure spa cannot operate efficiently or safely unless it is provided with adequate electrical power, sufficient water pressure, proper water temperature, and required drainage capabilities. Contact your local building inspector for information and local code compliance procedures that need to be followed when having your pedicure spa installed. Subsequent inspections and approvals that may be required are the responsibility of the purchaser. (See limited warranty regarding incidental or consequential exclusions – page 2).

Note: Failure to comply with federal, state or local codes and ordinances will result in warranty being null and void.

WARNING: Shells & front plate **MUST** be removed prior to moving the Rinato XL Spa.



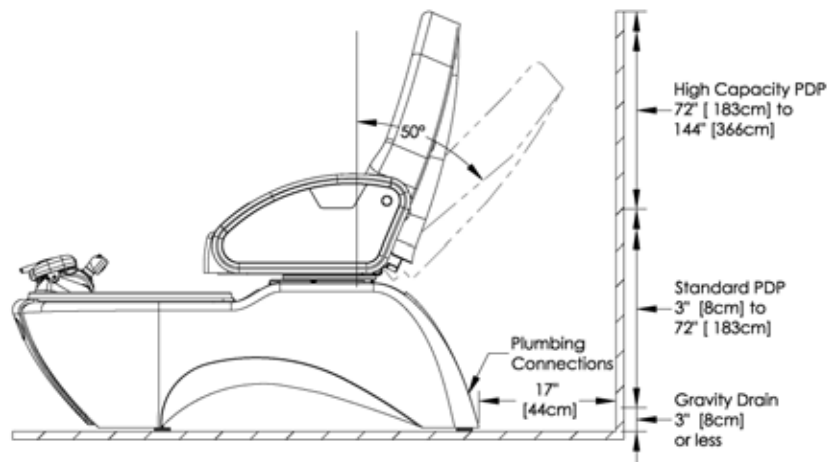
Spa shipping configuration



Spa appearance prior to moving into place

LOCATION AND SUPPORT

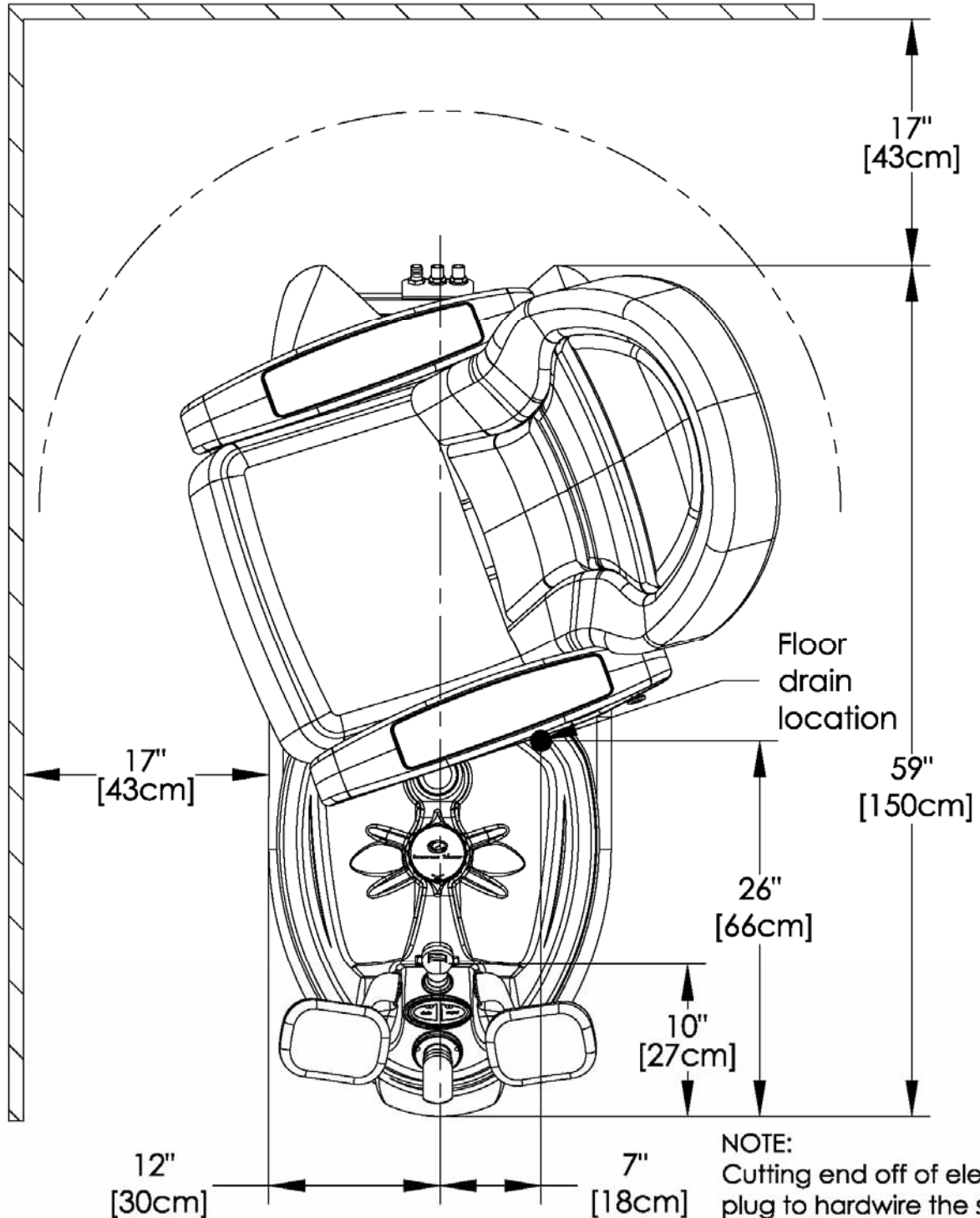
Select a level location. The floor structure beneath the pedicure spa must be capable of supporting the occupied pedicure spa. For the seat back to fully recline, the pedicure spa base must be mounted 17 inches from the wall as shown:





EUROPEAN TOUCH™

LOCATION DIMENSIONS



ATTACHING THE SEAT BACK CUSHION

Make sure all parts are removed from box before discarding. If any parts are missing, contact EUROPEAN TOUCH within 30 days of delivery date for replacement at 1-800-626-6912. The Rinato XL Spa ships with its bottom cushion already installed. Note: 2 people are required to perform the following instructions.

SEAT BACK ATTACHMENT



1. Place Cushion in place in front of frame bracket and align holes of the cushion frame and the seat frame.



2. Screw the Shoulder Bolts (2) into the side of the frame into the frame of the seat until tight. Do not over tighten.

Shoulder Screws



3. Install the Clevis Pin through the hole in the Actuator Motor Arm and Clip as shown at left.

Clevis Pin
Hitch Pin
Cushion Cord
Actuator & Clip



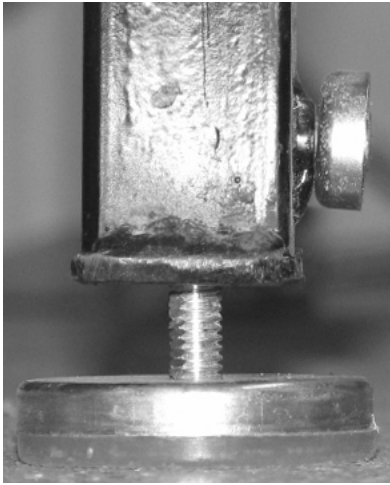
Hitch Pin

Clevis Pin

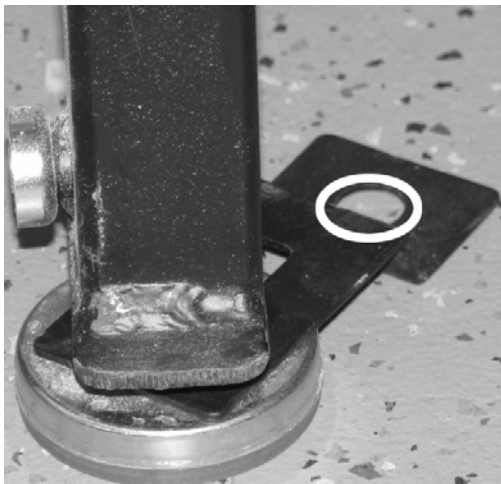
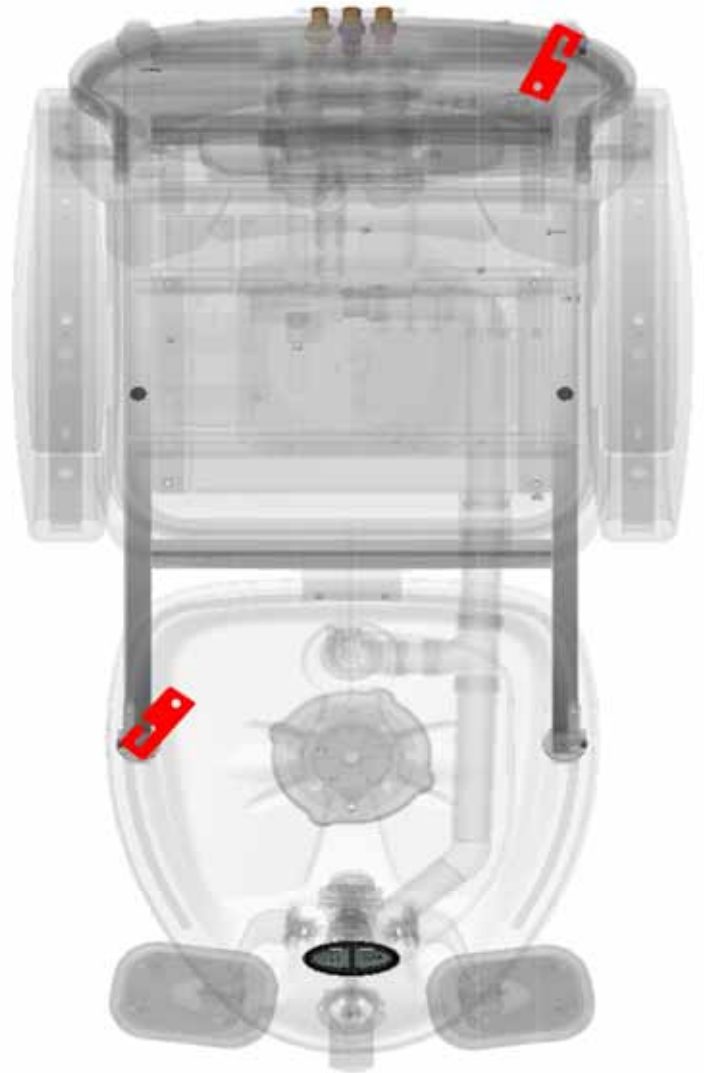
4. Ensure that Remote Cords are not pinched between cushion and frame bracket. Ensure the Hitch Pin does not hit nut when chair is rotated.

INSTALLING THE FLOOR MOUNTING BRACKETS

All Rinato XL Spas installed with gravity drain and / or hard piped to hot and cold supply lines **MUST** be anchored to the floor.



1. Adjust all 4 leveling feet until unit is stable and level.
2. Place the floor mounting brackets on one of the front feet and on the rear foot of the opposite side.



3. Mark and drill hole in floor for each bracket and install 3/8" floor anchor in each hole.

Note: Moving spa with flexible hose connected may cause strain and cause leaks.

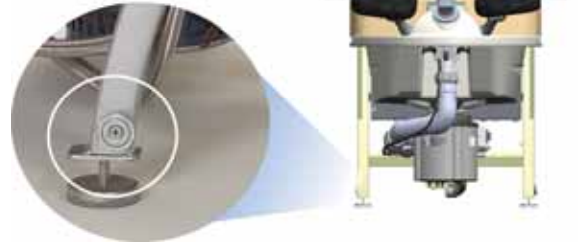
INSTALLING AND REMOVING THE SHELLS

To install the shells on your spa follow the instructions below:

1. Slightly lift side panel into place on spa frame.



2. Align the magnets on the frame legs with matching brackets found on the inside of the side panel. There is one set on each leg.



3. The side panel should fit under lip of basin as shown.

4. Align the thumbscrew holes located under cushion and tighten thumbscrew on each side.



5. Install the front plate by aligning pegs to matching holes and pressing into place.





EUROPEAN TOUCH™

REMOVING AND REPLACING DRAIN KNOB

Check your state and local regulations for cleaning procedures. Links to your state boards can be found on our web site, at www.europeantouch.com. Refer to the Owner's Manual "Cleaning and Disinfecting Pedicure Equipment" (page 16) for cleaning recommendations.



To remove the chrome drain handle, loosen the set screw in the slot on the drain handle and slip off chrome handle from chrome handle post.



Drain handle removed.



Drain plunger removed.

REMOVING AND REPLACING DRAIN STRAINER



Lift the pop-it as shown above.



Lift the strainer as shown above.
Reverse the steps to replace

DISASSEMBLING AND REMOVING CLEAN TOUCH COMPONENTS

Check your state and local regulations for cleaning procedures. Links to your state boards can be found on our web site, at www.europeantouch.com. Refer to the Owner's Manual "Clean Touch™ Pipe-Free® Spa - Cleaning and Disinfecting Procedures," for cleaning recommendations.



Please note that the longer nose of the Clean Touch Assembly with the arrow, as indicated by the arrow above, is pointing away from the drain and towards the footrests.



To **remove** the Clean Touch Assembly, move the longer nose in the direction as shown.



Separate Clean Touch inlet cover from base by twisting counter-clockwise.



Remove the impeller by lifting from the basin.



To reassemble, follow instructions in reverse order.

WIRED FOR SOUND OPTION – HARD WIRED FOR SOUND

1/8" (3.5mm) Headphone Jack
**Plug in Headphones or Portable
Speakers**

Plug Audio/Visual Device into Spa using
provided cord.

When not in use, stow away the end of the
headphone plug cable in the Massage
Remote pocket.



WIRED FOR SOUND OPTION – EQUIPPED WITH SPEAKERS IN NECK PILLOW

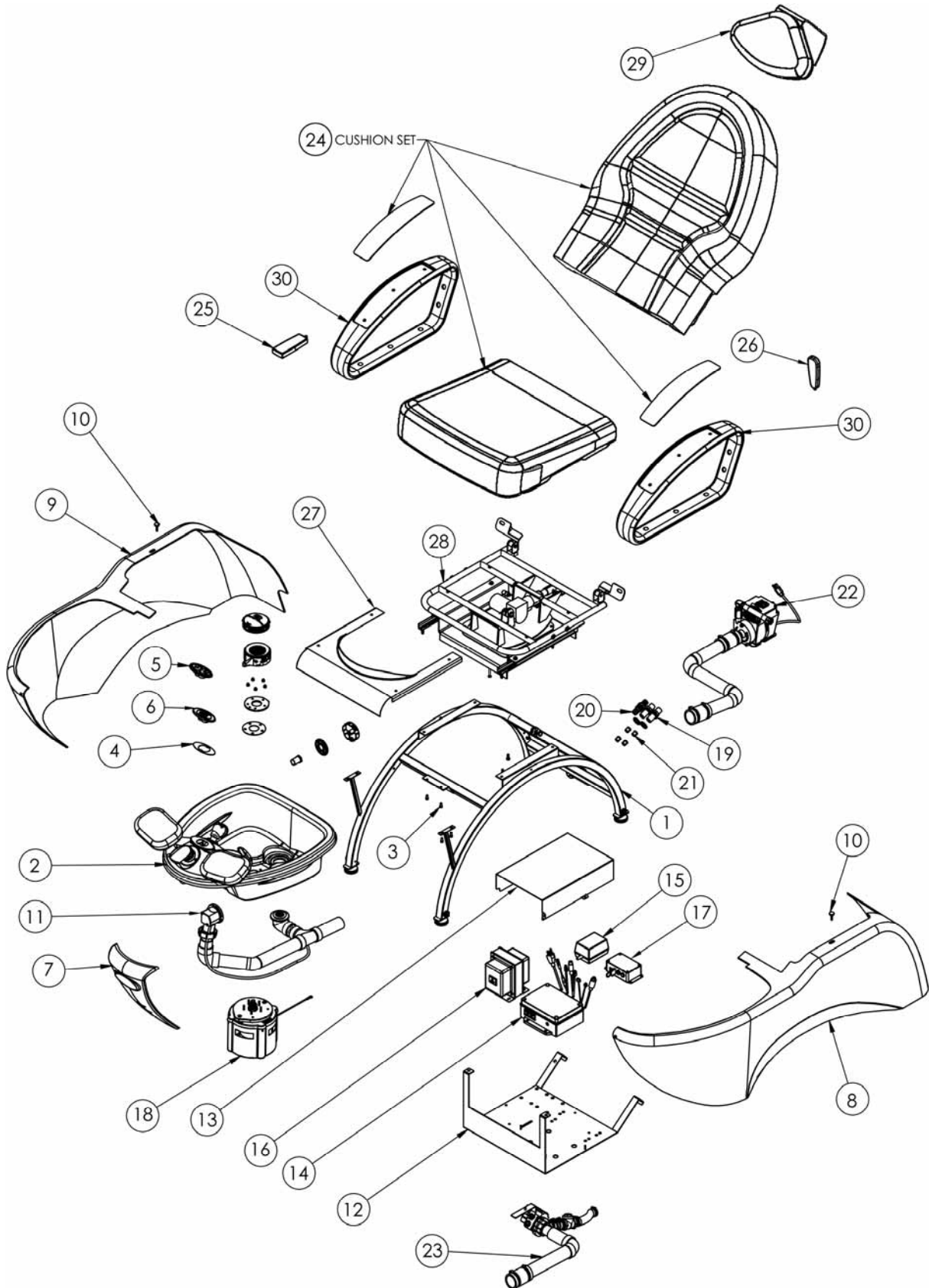
Audio heard from
speakers located
in neck pillow

Plug
Audio/Visual
Device into Spa
using provided
1/8" (3.5mm)
cord.



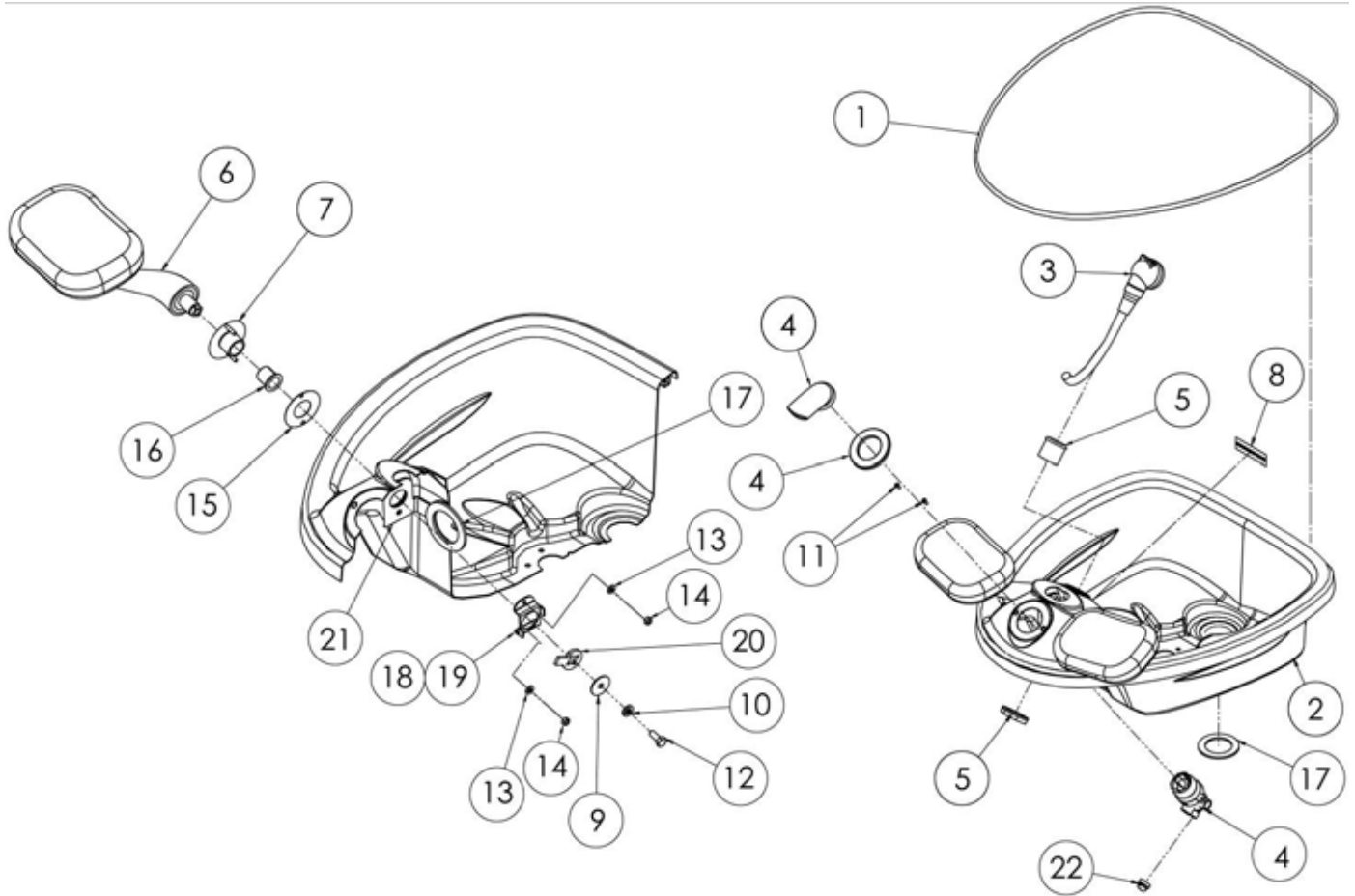
REPLACEMENT PARTS

FULL ASSEMBLY



ITEM No	PART No	DESCRIPTION	QTY	NOTE:
1	30022100	FRAME BASE CT	1	
2	3015200X(0,1)	SUBASM BASIN CT (PLATINUM, PEARL)	1	
3	15130027	SCREW 1/4-20 X 1/2 SOCKET HEAD CAP	6	
4	30010221	GASKET BUTTON SWITCH	1	
5	30042000	SWITCH MEMBRANE ON/OFF TWO POSITION CT	1	PDP & HCPDP
6	30042001	SWITCH MEMBRANE ONE POSITION ON/OFF CT	1	Floor Drain
7	2515200X(5,6)	SUBASM FRONT PLATE (PLATINUM, PEARL)	1	
8	330100X(0,2-4,9)	PANEL BODY XL LEFT (CINNABAR, GRAPHITE, BLACK, ALMOND, CUSTOM)	1	
9	3301001X(0,2-4,9)	PANEL BODY XL RIGHT (CINNABAR, GRAPHITE, BLACK, ALMOND, CUSTOM)	1	
10	15130009	SCREW THUMB 1/4-20 X 3/4	2	
11	30151202	DRAIN KIT HARD PLUMB ASSY	1	
12	30020100	BELLY PAN CT	1	
13	30020102	COVER SPLASH	1	
14	30040400	CONTROL BOX	1	
15	15040013	TRANSFORMER VIBRATION MESSAGE	1	
16	06040220	TRANSFORMER STEP-DOWN 2202/240V 50/60HZ	1	
17	14040422	CONTROL BOX DRAIN PUMP PIPE-FREE	1	PDP & HCPDP
18	30152015	SUBASM HANNING MOTOR CT	1	
19	15130000	BULKHEAD FTG FOR CHECK VALVE	2	
20	25132013	BULKHEAD FITTING 3/4IN THREAD 3/4IN BARB	1	PDP & HCPDP
21	15130016	CHECK VALVE	4	
22	30152009	SUBASM PDP HC RINATO CT	1	HCPDP
23	30152004	SUBASM PDP STANDARD CT	1	PDP
24	3316130X(0-4,9)	CUSHION SET RINATO XL (SAHARA, BARK, INDIA INK, SAGE, HARMONY, CUSTOM)	1	
25	12040000	REMOTE CONTROL WAND	1	
26	15040400	REMOTE CONTROL SEAT MOVEMENT JG	1	
27	33010021	SHROUD SEAT COVER XL	1	
28	33020000	SEAT FRAME ASSEMBLY XL	1	
29	3015263X(0,3-6,9)	SUBASM HEADREST SPEAKER (INDIA INK, SAHARA, BARK, SAGE, HARMONY, CUSTOM)	1	Integral Sound Option
30	33010020	ARM REST ASSEMBLY XL	2	

BASIN ASSEMBLY

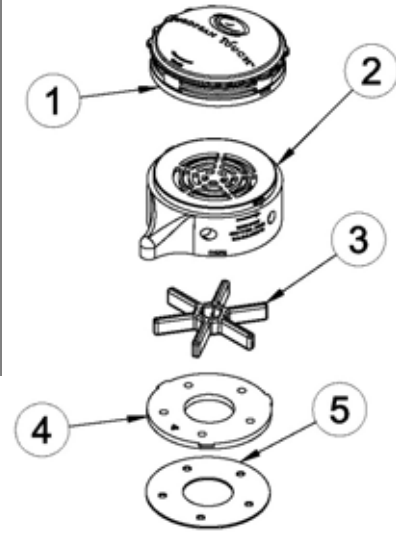


ITEM No	PART No	DESCRIPTION	QTY
1	15040012	TRIM LOCK CHROME BASIN	1
2	3101022X (0,1)	BASIN PF CT DROP IN W-TRIM STYLE (PLATINUM, PEARL)	1
3	30150001	SUBASM SHOWER SPRAYER CT	1
4	25132100	FAUCET CARTRIDGE DUAL	1
5	25022014	ESCUTCHEON SPRAYER BRASS	1
6	30152002	SUBASM FOOT REST	2
7	25152016	BUSHING FOOTREST	2
8	01030001	DECAL - DO NOT STAND IN BASIN	1
9	03130012	WASHER AIR BLEED FENDER	2
10	14130006	WASHER LOCK SPLIT 3/8 SS	2
11	06130070	SCREW 10-32 X 1/2 FH PHIL MACH	2

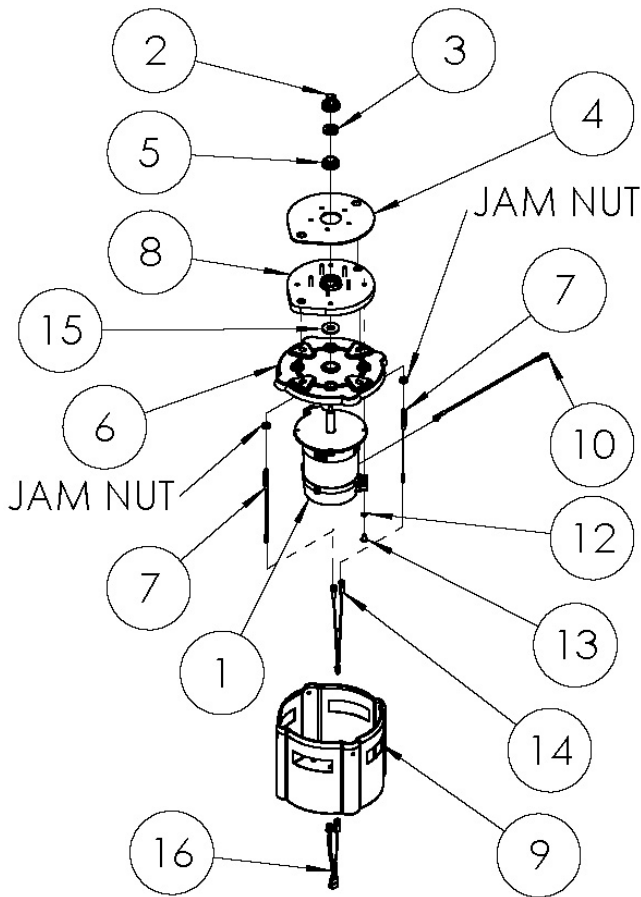
ITEM No	PART No	DESCRIPTION	QTY
12	25132004	BOLT HEX HEAD M8-125 X 20MM SS	2
13	02020000	WASHER #10 SPLIT LOCK 18-8 SST	4
14	12130054	NUT 10-32 NYLON INSERT SS LOCK	4
15	25002000	GASKET BUSHING PLATE.062 NEOPRENE	2
16	12000216	I-GLIDE BUSHING LEG REST ARM	2
17	15000006	GASKET DRAIN ASSEMBLY	3
18	25022003	BUSHING SUPPORT PLATE RIGHT	1
19	25022002	BUSHING SUPPORT PLATE LEFT	1
20	30020209	STOP FOOTREST RINATO	2
21	25022001	FOOTREST MOUNT PLATE	1
22	30020200	CAP 1/4" THREAD	1

INLET COVER AND RELATED PARTS

ITEM No	PART No	DESCRIPTION	QTY
1	300102XX (07,14)	COVER INLET HOUSING CT (PEARL, PLATINUM)	1
2	300102XX (40,41)	HOUSING INLET ASM DUAL LOCK (PLATINUM, PEARL)	1
3	30010203	IMPELLER CT	1
4	30010030	PLATE MOUNTING DUAL LOCKING	1
5	30010208	GASKET INLET HOUSING CT	1

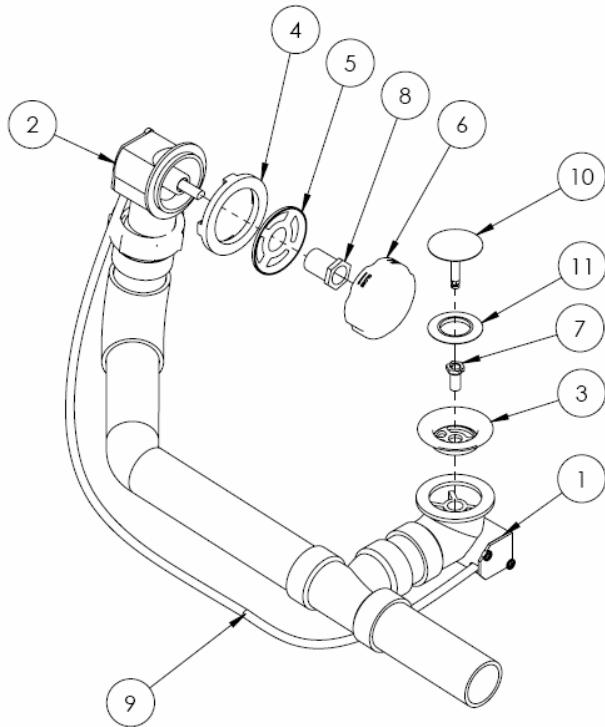


MOTOR ASSEMBLY



ITEM No	PART No	DESCRIPTION	QTY
1	30040200	MOTOR HANNING FANLESS	1
2	30010202	SHAFT IMPELLER	1
3	14000001	SEAL TOP PIPE FREE	1
4	30010209	GASKET MOTOR FACE PLATE	1
5	14000001	SEAL BOTTOM PIPE FREE	1
6	30010206	SHIELD DRIP NG	1
7	14040265	SENSOR FOOTPLATE DETECTION	2
8	30010229	FACEPLATE MOUNTING W-TBOLTS	1
9	30010226	SHROUD MOTOR	1
10	30041400	WIRE GROUND YELLOW-GREEN	1
11	12010584	CABLE TIES (NOT SHOWN)	4
12	02020000	WASHER #10 SPLIT LOCK	4
13	12130003	SCREW #10-32x .50 PH	4
14	30040403	CABLE DOUBLE HARNESS SENSOR	1
15	12010219	WASHER NEO 1-1/4OD X 1/2ID X 1/8TK	1
16	30040401	CABLE WATER MOVEMENT	1

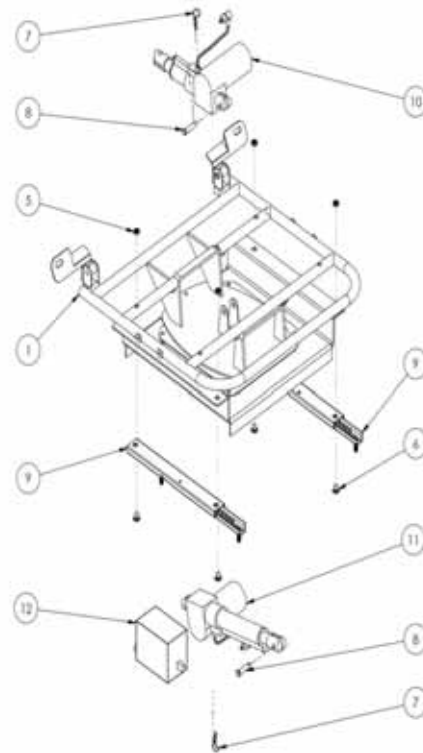
DRAIN ASSEMBLY



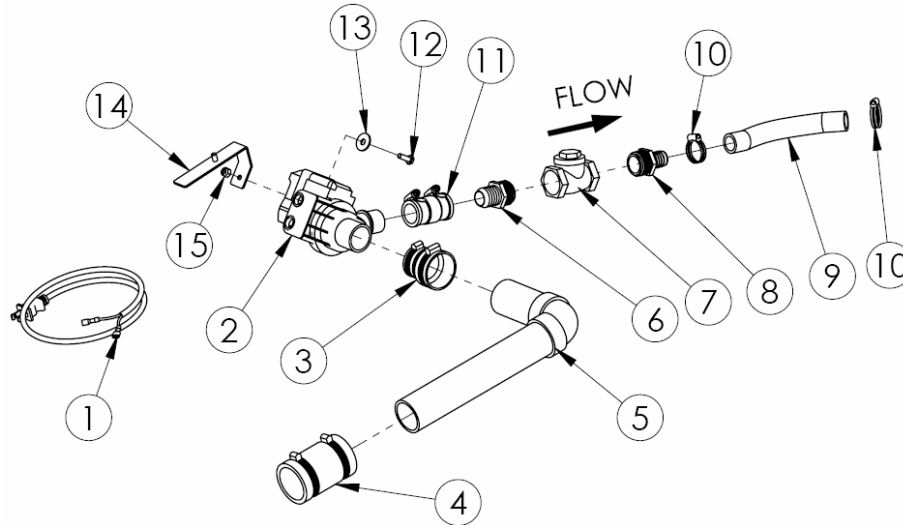
ITEM No	PART No	DESCRIPTION	QTY
1	30010225	SHOE WASTE	1
2	30010222	OVERFLOW ASM	1
3	30020202	STRAINER DRAIN	1
4	30010224	TUB LOCK GASKET	1
5	30020203	LOCKING PLATE OVERFLOW	1
6	30020205	HANDLE CONTROL	1
7	30020201	THREADED WASTE BOLT	1
8	30020204	NIPPLE INTERNAL THREAD	1
9	30020206	CABLE DRAIN	1
10	30020208	STOPPER (CHROME)	1
11	30010227	GASKET STOPPER RINATO	1

SEAT MOVEMENT

ITEM No	PART No	DESCRIPTION	QTY
1	33020002	FRAME SEAT LOWER XL	1
2	33020301	PLATE SEAT MOUNT XL	1
3	33021300	SWIVEL XL	3
4	33020300	PLATE SEAT XL	1
5	01130005	NUT LOCK THIN 5/16-18	4
6	03130043	BOLT CARR 5/16 X 1/2	4
7	06130009	HITCH PIN	2
8	06130008	CLEVIS PIN 1-1/2 IN X 3/8 IN DIAMETER	2
9	03130031	SEAT RAIL WITHOUT LATCH	2
10	15040405	LINEAR DRIVE 50MM BACK	1
11	15040405	LINEAR DRIVE 140MM SEAT	1
12	15040409	CONTROL BOX SEAT MOVEMENT	1



POWER DRAIN PUMP ASSEMBLY

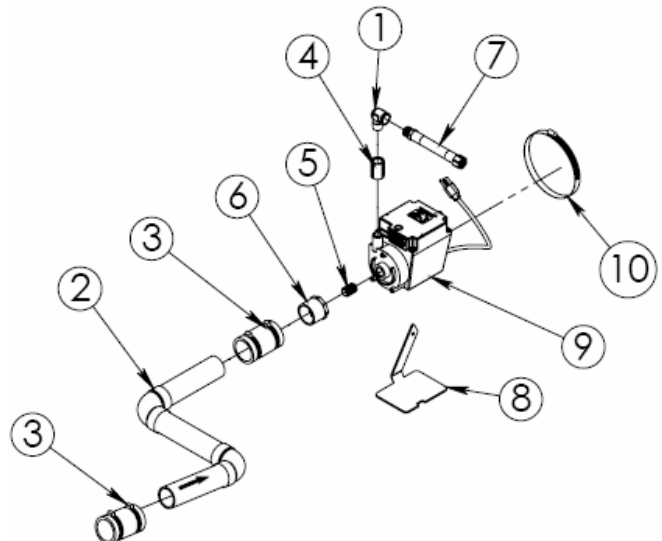


ITEM No	PART No	DESCRIPTION	QTY
1	14040477	CORD POWER DRAIN PUMP	1
2	08040005	PUMP PDP 110v DPO 40	1
3	12010235	CONNECTOR 1.5IN X 1.25IN	1
4	30010218	COUPLER 1.5" TO 1.5" W-CLAMPS	1
5	30010217	DRAIN WASTE EXTENSION	1
6	25132008	ADAPTER 1 IN TUBE TO 1 IN PIPE	1
7	25132006	CHECK VALVE 1IN FNPT	1
8	25132007	ADAPTER 3/4 IN TO 1 IN	1

ITEM No	PART No	DESCRIPTION	QTY
9	12010177	3/4 CLEAR BRAIDED HOSE	1
10	12130091	#10 HOSE CLAMP	2
11	14010113	COUPLER 1" IN	1
12	12130041	BOLT 1/4-20 X 3/4 HEX	1
13	25132005	WASHER M8	1
14	30020103	BRACKET PDP SHORT	1
15	12130048	NUT 1/4-20 NYLON CAP LOCK	1

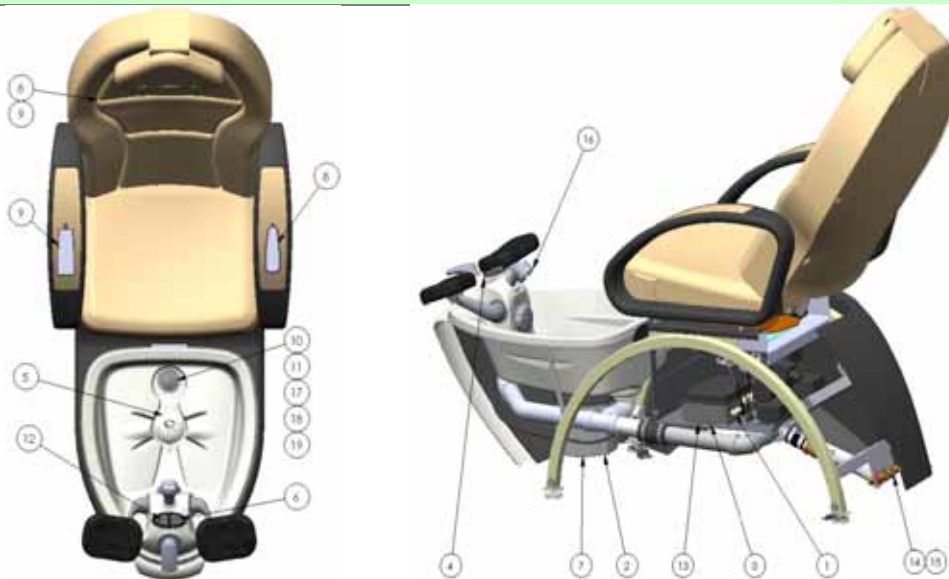
HIGH CAPACITY PUMP ASSEMBLY

ITEM No	PART No	DESCRIPTION	QTY
1	12020192	1/2 FPT X 1/2 MPT 90 Elbow	1
2	30010223	Drain Waste Extension For HC PDP	1
3	30010218	Coupler 1.5" To 1.5" With Clamps	2
4	06010024	SCS 1/2 X 1/2 FPT Coupler	1
5	08010004	Nipple PVC Ftg PDP	1
6	15130028	Bushing Reducing 1 1/4 In X 1/2 In	1
7	15130022	Hose 48 In Rubber Platino	1
8	30020104	Bracket High Capacity Pump	1
9	08040001	Pump PDP 110v	1
10	15130029	Clamp Tube 6 1/2 In	1



GENERAL TROUBLESHOOTING GUIDE

PROBLEM	DESCRIPTION	RESOLUTION	REFERENCE
No Water Movement	On/Off Button Not Blinking	1) Verify unit is plugged in to live wall outlet	(1)
	Impeller not in place	2) Verify motor is plugged in to gray control box	(2)
	On/Off Blinking Power Button	3) Verify fuse in the gray control box is in tact	(3)
		4) Verify the wires to the button are not cut	(4)
		5) Remove clean touch assembly and verify the impeller is in place	(5)
		6) Ensure that the clean touch assembly is properly attached to the basin	(6)
		7) Ensure that the black sensor underneath the front of the basin is plugged in	(7)
Chair Functions are not working	1. Seat Back a. Air Massage controls not working.	8) Ensure air connections are in tact. Ensure handset is on. Ensure compressor is on.	(8) (9)
	2. Chair movement not responding.	9) If the remote lights up, but functions do not work, contact European Touch Customer Service.	
Water Not Draining	Chair does not drain properly having only the standard drain, (No PDP).	10) Make sure plunger is set tall enough to allow water to pass through.	(10)
	Chair does not drain properly having a PDP.	11) Check for plugged drain and clear if clog is found.	(11)
		12) If the LED light is On and the pump is heard, check for plugged drain and clear if clog is found.	(12)
		13) If the LED light is On and the pump is NOT heard, verify drain pump is properly connected to the black control box.	(13)
Water not working or pressure is low	The water sprayer is not working or very little water comes out of the sprayer head	14) Verify water supply is On.	(14)
		15) Check for loose water connections under the basin and at the rear of the chair.	(15)
		16) Unscrew the sprayer head from its hose and verify screen is clear.	(16)
Basin Losing Water	The basin continually loses water either quickly or over long period of time	17) Check drain plunger for tears in rubber gasket.	(17)
		18) Verify drain plunger height is correct and bolt below plunger is tight.	(18)
		19) Verify drain strainer is tight.	(19)
CONTACT EUROPEAN TOUCH TECHNICAL SUPPORT AT 1-800-626-6912 WITH ANY ISSUES THAT CANNOT BE RESOLVED USING THIS TROUBLESHOOTING GUIDE.			





EUROPEAN TOUCH™
HISTORY AND NOTES



EUROPEAN TOUCH™

**EUROPEAN TOUCH
8301 W. Parkland Court
Milwaukee, WI 53223**

**Phone Number: 414-357-7016
Toll Free: 800-626-6912
Fax: 414-357-6360**

**Web Site: www.europeantouch.com
Email: info@europeantouch.com**