

LICENSE PLATE BRACKET AND TAIL SECTION KIT

GENERAL

Kit Number

50779-06Y

Models

This kit fits 2003-later XB9S and 2004-later XB12S models.

Additional Parts Required

⚠ WARNING

The rider's safety depends upon the correct installation of this kit. Use the appropriate service manual procedures. If the procedure is not within your capabilities or you do not have the correct tools, have a Harley-Davidson dealer perform the installation. Improper installation of this kit could result in death or serious injury. (00333a)

NOTE

This instruction sheet references Service Manual information. A Service Manual for your model motorcycle is required for this installation and is available from a Harley-Davidson dealer.

Kit Contents

There are no Service Parts available with this kit.

DISASSEMBLY

1. Remove seat following the instructions in the Service Manual.

⚠ WARNING

Disconnect negative (-) battery cable first. If positive (+) cable should contact ground with negative (-) cable connected, the resulting sparks can cause a battery explosion, which could result in death or serious injury. (00049a)

2. See Figure 1. Unthread fastener and remove battery negative cable (black) from battery negative (-) terminal. Refer to BATTERY MAINTENANCE in Service Manual.
3. Disconnect the following components:
 - a. Right turn signal connector [18].
 - b. Left turn signal connector [19].
 - c. License plate lamp connector [45].
 - d. Tail light connectors [93].
4. See Figure 2. Remove two fasteners (12) securing trunk pan to center tail section.

5. Remove fasteners (4) securing left and right tail sections to center tail section.
6. Remove center tail section from vehicle.
7. To further disassemble center tail section, refer to TAIL LAMP, LICENSE PLATE LAMP ASSEMBLY, and TURN SIGNALS in Service Manual.

ASSEMBLY

1. Install center tail section between left and right tail sections.
2. See Figure 2. Install fasteners (4) securing left and right tail sections to center tail section but do not tighten.
3. Install two fasteners (12) securing trunk pan to center tail section to 48-72 **in-lbs** (5.4-8.1 Nm).
4. Apply Loctite 272 (98618-03) to threads of left and right rear tail section fasteners (4) and tighten to 102-112 **in-lbs** (11.5-12.7 Nm).
5. Tighten fasteners (12) securing trunk pan to center tail section to 48-72 **in-lbs** (5.4-8.1 Nm).
6. See Figure 1. Connect the following components:
 - a. Right turn signal connector [18].
 - b. Left turn signal connector [19].
 - c. License plate lamp connector [45].
 - d. Tail light connectors [93].

⚠ WARNING

Connect positive (+) battery cable first. If positive (+) cable should contact ground with negative (-) cable connected, the resulting sparks can cause a battery explosion, which could result in death or serious injury. (00068a)

7. Install battery by threading positive (red) cable into threaded hole first, tightening to 72-96 **in-lbs** (8-11 Nm). Refer to BATTERY MAINTENANCE in Service Manual.

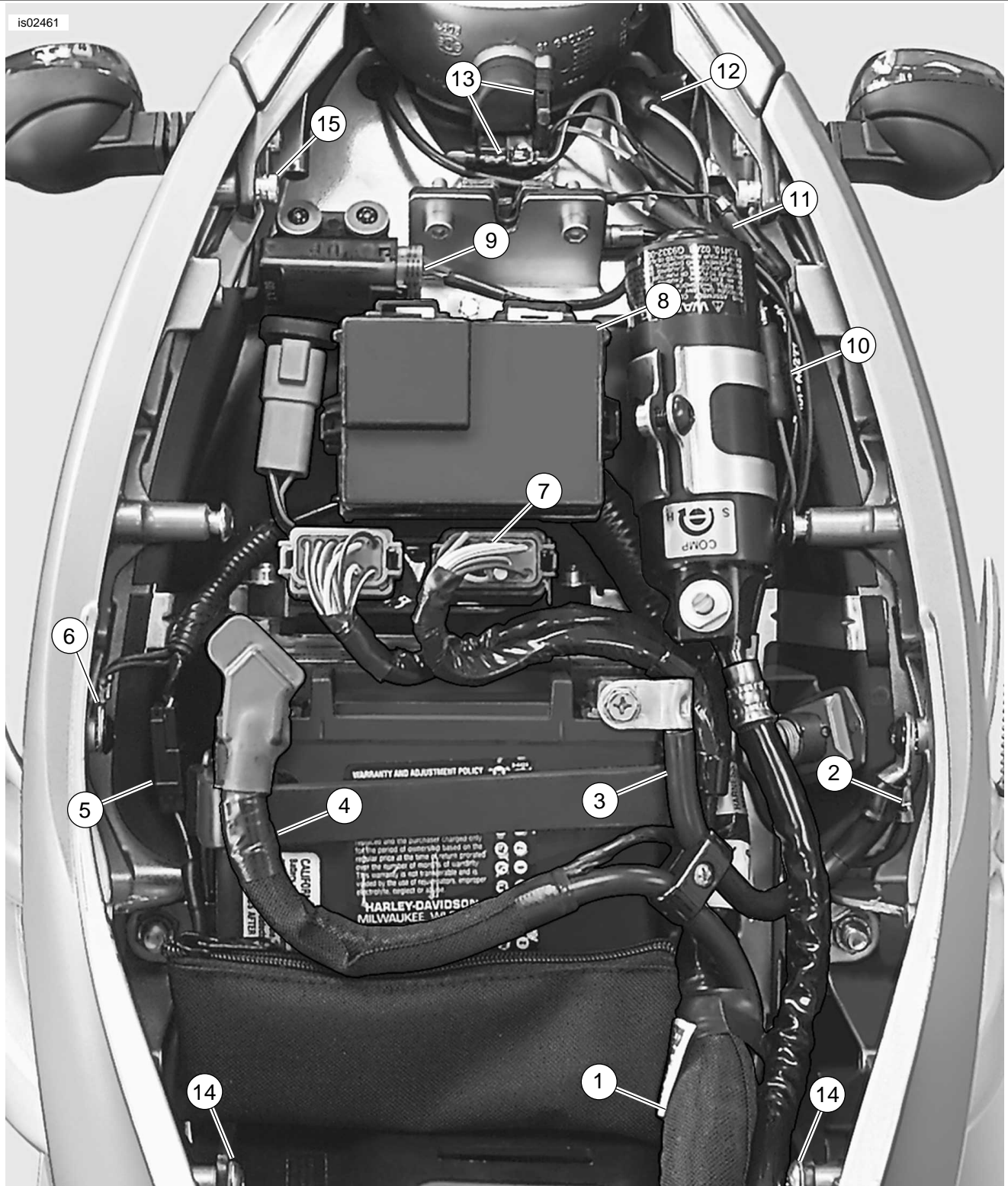
⚠ WARNING

After installing seat, pull upward on seat to be sure it is locked in position. While riding, a loose seat can shift causing loss of control, which could result in death or serious injury. (00070b)

8. Install seat following the instructions in the Service Manual.

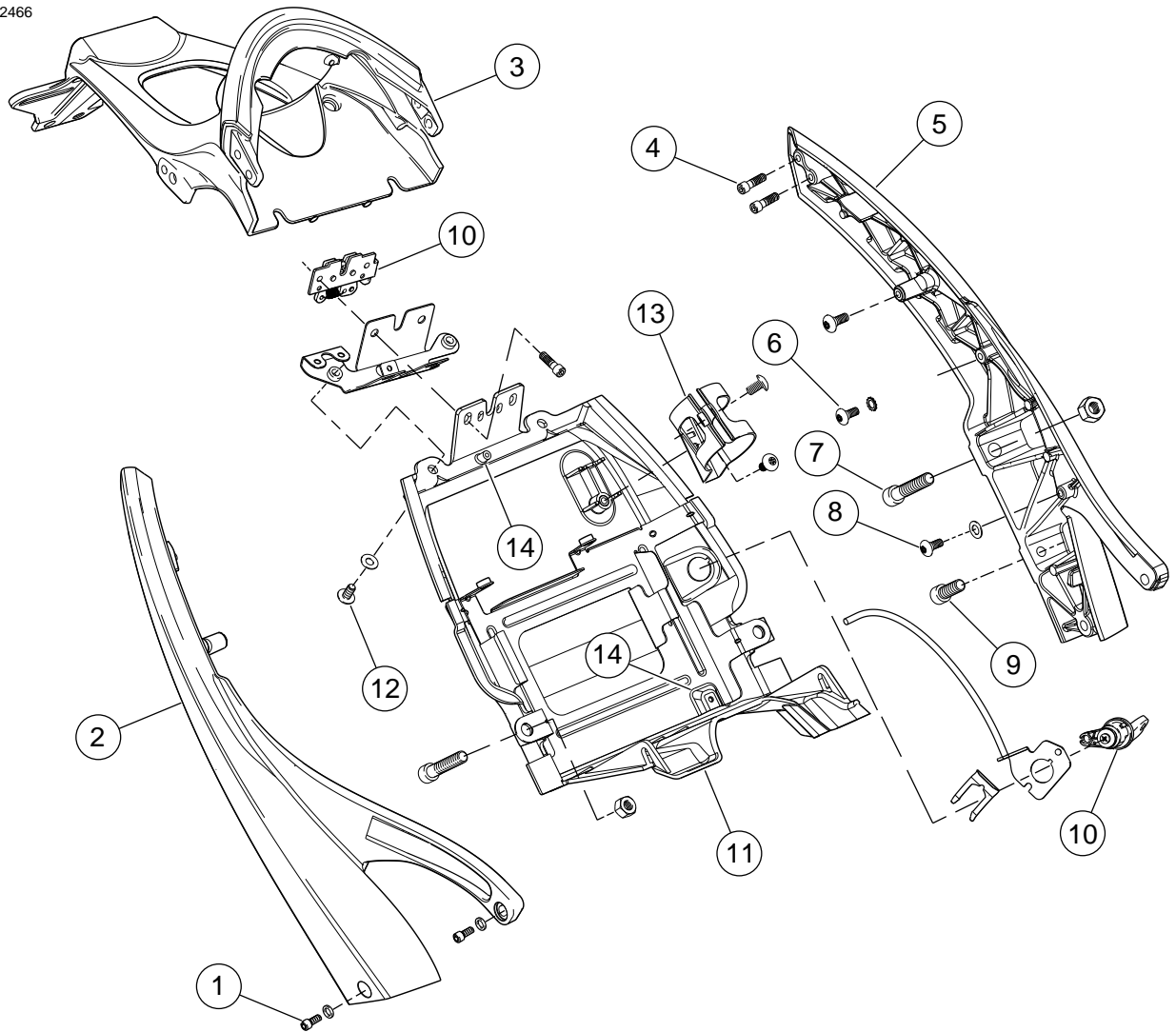
COMPONENTS

is02461



- | | |
|--|--|
| <ol style="list-style-type: none"> 1. Main harness 2. Main harness ground wire [GRD 2] 3. Battery ground cable 4. Battery positive cable 5. Rear brake light switch connector [121] 6. Ground terminals [GRD 1] and [GRD 3] 7. ECM connectors [10] and [11] 8. Fuse block and relay center | <ol style="list-style-type: none"> 9. BAS (bank angle sensor) connector [134] 10. Left turn signal connector [18] 11. Right turn signal connector [19] 12. License plate lamp connector [45] 13. Tail light connectors [93] 14. Left and right front trunk pan fasteners (2) 15. Left and right rear tail section fasteners (4) |
|--|--|

Figure 1. Main Harness and Electrical Connectors Under Seat



1. Left and right tail section fastener to main frame/fuel tank assembly (4)
2. Right tail section
3. Center tail section
4. Center tail section fastener to rear tail section (4)
5. Left tail section
6. Ground terminal fastener (2)
7. Passenger footrest support fastener with jam nut (2)
8. Front trunk pan fastener to side tail section (2)
9. Passenger footrest support fastener (no jam nut) (2)
10. Seat latch assembly
11. Trunk pan assembly
12. Rear trunk pan fastener to center tail section (2)
13. Rear shock reservoir bracket
14. Plastic lugs (for manufacturing purposes only)

Figure 2. Tail Frame and Trunk Pan Assembly