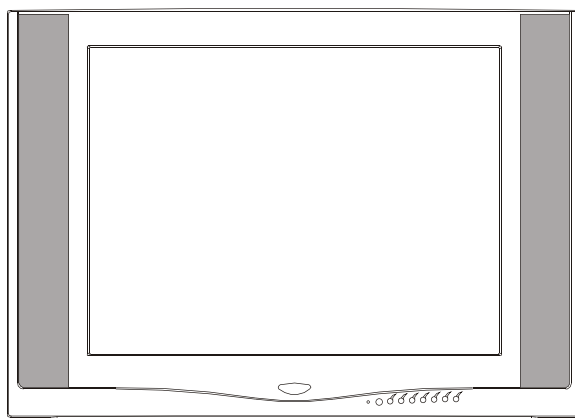


TCL

SERVICE MANUAL



2927

1. Caution.....	2
2. Specification.....	6
3. BOM List.....	9
4. Alignment Procedure.....	39
5. Block Diagram.....	43
6. Schematic Diagram.....	44
7. PCB Layout.....	45
8. Exploded View Diagram.....	47

This manual is the latest at the time of printing, and does not include the modification which may be made after the printing, by the constant improvement of product.

CAUTION:

Use of controls, adjustments or procedures other than those specified herein may result in hazardous radiation exposure.



CAUTION
RISK OF ELECTRIC SHOCK DO NOT OPEN.



CAUTION: TO REDUCE THE RISK OF ELECTRICAL SHOCK, DO NOT REMOVE COVER (OR BACK). NO USER SERVICEABLE PARTS INSIDE. REFER SERVICING TO QUALIFIED SERVICE PERSONNEL.



The lightning flash with arrowhead symbol, with an equilateral triangle is intended to alert the user to the presence of uninsulated “dangerous voltage” within the product’s enclosure that may be of sufficient magnitude to constitute a risk of electric shock to the person.



The exclamation point within an equilateral triangle is intended to alert the user to the presence of important operating and maintenance (servicing) instructions in the literature accompanying the appliance.

WARNING: TO REDUCE RISK OF FIRE OR ELECTRIC SHOCK, DO NOT EXPOSE THIS APPLIANCE TO RAIN OR MOISTURE.

IMPORTANT SAFETY INSTRUCTIONS

CAUTION:

Read all of these instructions. Save these instructions for later use. Follow all Warnings and Instructions marked on the audio equipment.

1. Read Instructions- All the safety and operating instructions should be read before the product is operated.
2. Retain Instructions- The safety and operating instructions should be retained for future reference.
3. Heed Warnings- All warnings on the product and in the operating instructions should be adhered to.
4. Follow Instructions- All operating and use instructions should be followed.

FOR YOUR PERSONAL SAFETY

1. When the power cord or plug is damaged or frayed, unplug this television set from the wall outlet and refer servicing to qualified service personnel.
2. Do not overload wall outlets and extension cords as this can result in fire or electric shock.
3. Do not allow anything to rest on or roll over the power cord, and do not place the TV where power cord is subject to traffic or abuse. This may result in a shock or fire hazard.
4. Do not attempt to service this television set yourself as opening or removing covers may expose you to dangerous voltage or other hazards. Refer all servicing to qualified service personnel.
5. Never push objects of any kind into this television set through cabinet slots as they may touch dangerous voltage points or short out parts that could result in a fire or electric shock. Never spill liquid of any kind on the television set.
6. If the television set has been dropped or the cabinet has been damaged, unplug this television set from the wall outlet and refer servicing to qualified service personnel.
7. If liquid has been spilled into the television set, unplug this television set from the wall outlet and refer servicing to qualified service personnel.
8. Do not subject your television set to impact of any kind. Be particularly careful not to damage the picture tube surface.
9. Unplug this television set from the wall outlet before cleaning. Do not use liquid cleaners or aerosol cleaners. Use a damp cloth for cleaning.
- 10.1. Do not place this television set on an unstable cart, stand, or table. The television set may fall, causing serious injury to a child or an adult, and serious damage to the appliance. Use only with a cart or stand recommended by the manufacturer, or sold with the television set. Wall or shelf mounting should follow the manufacturer's instructions, and should use a mounting kit approved by the manufacturer.
- 10.2. An appliance and cart combination should be moved with care. Quick stops, excessive force, and uneven surfaces may cause the appliance and cart combination to overturn.



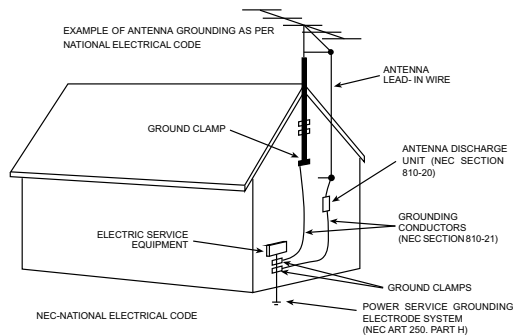
PROTECTION AND LOCATION OF YOUR SET

11. • Do not use this television set near water ... for example, near a bathtub, washbowl, kitchen sink, or laundry tub, in a wet basement, or near a swimming pool, etc.
 - Never expose the set to rain or water. If the set has been exposed to rain or water, unplug the set from the wall outlet and refer servicing to qualified service personnel.
12. Choose a place where light (artificial or sunlight) does not shine directly on the screen.
13. Avoid dusty places, since piling up of dust inside TV chassis may cause failure of the set when high humidity persists.
14. The set has slots, or openings in the cabinet for ventilation purposes, to provide reliable operation of the receiver, to protect it from overheating. These openings must not be blocked or covered.
 - Never cover the slots or openings with cloth or other material.
 - Never block the bottom ventilation slots of the set by placing it on a bed, sofa, rug, etc.
 - Never place the set near or over a radiator or heat register.
 - Never place the set in a "built-in" enclosure, unless proper ventilation is provided.

PROTECTION AND LOCATION OF YOUR SET

- 15.1. If an outside antenna is connected to the television set, be sure the antenna system is grounded so as to provide some protection against voltage surges and built up static charges, Section 810 of the National Electrical Code, NFPA No. 70-1975, provides information with respect to proper grounding of the mast and supporting structure, grounding of the lead-in wire to an antenna discharge unit, size of grounding conductors, location of antenna discharge unit, connection to grounding electrode, and requirements for the grounding electrode.

EXAMPLE OF ANTENNA GROUNDING AS PER NATIONAL ELECTRICAL CODE INSTRUCTIONS



- 15.2. Note to CATV system installer : (Only for the television set with CATV reception)

This reminder is provided to call the CATV system installer's attention to Article 820-40 of the NEC that provides guidelines for proper grounding and, in particular, specifies that the cable ground shall be connected to the grounding system of the building, as close to the point of cable entry as practical.

16. An outside antenna system should not be located in the vicinity of overhead power lines or other electric lights or power circuits, or where it can fall into such power lines or circuits. When installing an outside antenna system, extreme care should be taken to keep from touching such power lines or circuits as contact with them might be fatal.
17. For added protection for this television set during a lightning storm, or when it is left unattended and unused for long periods of time, unplug it from the wall outlet and disconnect the antenna. This will prevent damage due to lightning and power-line surges.

OPERATION OF YOUR SET

18. This television set should be operated only from the type of power source indicated on the marking label. If you are not sure of the type of power supply at your home, consult your television dealer or local power company. For television sets designed to operate from battery power, refer to the operating instructions.
19. If the television set does not operate normally by following the operating instructions, unplug this television set from the wall outlet and refer servicing to qualified service personnel. Adjust only those controls that are covered in the operating instructions as improper adjustment of other controls may result in damage and will often require extensive work by a qualified technician to restore the television set to normal operation.
20. When going on a holiday : If your television set is to remain unused for a period of time, for instance, when you go on a holiday, turn the television set " off " and unplug the television set from the wall outlet.

IF THE SET DOES NOT OPERATE PROPERLY

21. If you are unable to restore normal operation by following the detailed procedure in your operating instructions, do not attempt any further adjustment. Unplug the set and call your dealer or service technician.
22. Whenever the television set is damaged or fails, or a distinct change in performance indicates a need for service, unplug the set and have it checked by a professional service technician.
23. It is normal for some TV sets to make occasional snapping or popping sounds, particularly when being turned on or off. If the snapping or popping is continuous or frequent, unplug the set and consult your dealer or service technician.

FOR SERVICE AND MODIFICATION

24. Do not use attachments not recommended by the television set manufacturer as they may cause hazards.
25. When replacement parts are required, be sure the service technician has used replacement parts specified by the manufacturer that have the same characteristics as the original part. Unauthorized substitutions may result in fire, electric shock, or other hazards.
26. Upon completion of any service or repairs to the television set, ask the service technician to perform routine safety checks to determine that the television is in safe operating condition.

PFS2 FORMAT-1 Report	
Date: 2004-11-16 15:33 ProductView.....: Report by.....:	Product:@ 2927
Specs / Products	
SRF NO./ODF NO.	ON44036903
MasterData	
Customer Id	RADIO VICTORIA
Version	0.1
Status	WG Archived
Brand	TCL
EAN	\
UPC	\
Reception	
+Tuning - presets/channels	181
+Tuning - technology	PLL
+Tuning - Indication	---
+Freq Bands	FS TUNER
+Channels	VHF:2-13, UHF:14-69, CATV: 1-13, A-W.W+1--- W+84,A-5---A-1,5A
+IF Freq	PICTURE 45.75MHz
+TV Systems Off Air	PAL M/N NTSC M (3.58 - 4.433)
+Add Systems Ext In	---
+TV Systems Multi	PAL NTSC
+Sound Systems	AV STEREO, BTSC
Picture - Processing	
+Scan	Standard
+Scan Modes	4:3
+Wide Screen Switching	
+Combfilter	X
+Picture Control	4 Picture Modes, Brightness, Color, Contrast, Tint, Sharpness Cont Var
+Pict Enhancement	Black Stretch
+Pict Noise Reduction	---
Picture - Display	
+Display Type	DV - CRT - FSQ
+Screen Format	4:3
+Size(Visual)" - size/vis. cm	29"
+Deflection System (CRT only)	
+Tube Technology (CRT only)	Black Matrix, Iron
+CRT Defl	
+CRT Gun	Stand Gun
+CRT Magn field	Normal
+Resolution	
+Coating (only for D.V. sets)	
+White Point	
Sound	
+Leaflet Power	
+RMS Power Intern	
+RMS Power Extern	
+Surround Sound	
+Sound Features	Mute, BTSC
+Sound Control	Volume, AVL,
Sound - Speakers	
+Speaker configuration	2 speakers
+Speakers used	Normal Range
+Speaker Size	
User Interface	
+Interface Name	2927
+Voice Control	
+Menu	Cursor Control
+Menu Colours	
+Menu Languages	Spanish, English, Portuguese, French
+Special Features	V-Chip, CCD, Channel lock, Child Lock, Note Book,Calendar, Favorite Channel
+Operational Features	
+PP Features	

Date: 2004-11-16 15:33	
ProductView.....:	
Report by.....:	Product:@
Specs / Products	2927
+Tuning/Install Features	Auto Store, Factory Mode, Language Selection, Service Mode
+Clock/Timer Functions	Sleep timer
+Local Controls Front	
+Local Controls Top	
+Indicators - screen	
+Indicators - front	
+Numb of Loc Cont (incl Mains)	7
+Number of Ind. (incl Mains)	
+Local Controls (Old)	Channel +-, Tact Switch, Vol +-, TV/AV, MENU
Remote Control	
+Remote Control - scope	TV
+Remote Control - type	Standard
+Remote Control - typenr	
+Remote Control - features	
Connectors Rear	
+Scart RGB+Y/C+CVBS	
+Scart RGB+CVBS	
+Scart CVBS+Y/C	
+Component In (Y/U/V) Cinch	X
+In Y/C+Cinch(CVBS+St)	
+In Y/C+Cinch(CVBS+Mo)	
+In Y/C+Cinch(St)	
+In BNC (CVBS)	
+In Cinch(CVBS+St)	X
+In Cinch(CVBS+Mo)	---
+Out Cinch(CVBS+St)	X
+Out Cinch(CVBS+Mo)	
+Out Cinch Audio Stereo	
+Out Cinch Audio Mono	
+Out Cinch Dolby Surround	
+Dig Audio Out	
+Loudspeakers	
+Control Busses	
+Feature Slot	
+ITV Smart Port	
+Terr. Antenna in	75 Ohms (F type)
Guide + IR Blaster Jack	
Connectors Front	
+In Cinch (CVBS + St)	
+In Cinch (CVBS+Mo)	
+Headphone Out	
Connectors Side	
+In Y/C + Cinch(CVBS+St)	x
+In Y/C + Cinch Stereo	
+In Cinch (CVBS + St)	
+IN Cinch (CVBS + Mo)	
+Headphone Out	
Connectors Top	
Connectors Mechanical	
Styling	
+Cabinet Name	2927
+Configuration	Symm
+Graphics/Logo's	TCL
+Cabinet Colour and Finish	
+Mechanics	
+Speaker Visibility	Standard
General	
+Segment	Standard 4:3
+Chassis	M134
+Software Delivery Mode	
+Software Version	
+Mains Voltage	110-240V
+Mains Frequency	50/60Hz
+Type Mains Cord	ARGENTINA
Power Consumption (P)TV in On	
Power Consumption SB in Watts	Less than 6
Power Consumption Semi SB in W	

Date: 2004-11-16 15:33	Product:@ 2927
ProductView.....:	
Report by.....:	
Specs / Products	
+Power in "ON" for	
+Power in Standby for	
+Power in "OFF" for	
Weight (P)TV (incl. Packaging)	
Weight (P)TV (excl. Package)	
Weight AVUnit excl Packaging	
+INDICATION on BACKCOVER	
+Channel	
Final Equipment	
+Packaging - methods	
+Documents and manuals	
+Languages DFU	
+Cables Supplied	
+Antenna Supplied	
+Stand Supplied	
+Aux Equipm Supplied	Batteries for RC (2 x AA)
Packaging - width cm	
Packaging - height cm	
Packaging - depth cm	
Miscellaneous	
+EAN Indication	
+Approbation	CB
+Tests	
+Local Integration	
Various Perf. Param.	
+Service Call-Rate	
PIP/POP	
+Type	No PIP/POP
+Features	n/a
Digital Reception	
+Transmission	
Built-in Data System	
+Text Standard	
+(Tele)text Features	
+Nbr bckgrnd page / Mem Size	
+Text Technology	
+Digital Data handling	
+Program Guide	
Built-in Clock/Timer	
+Type	
+Features	
Built-in Radio	
+Type	
Built-in PC display	
+PC Synch	
+PC Control	
Built-in DVD drive	
+Type of Medium	
+Type of Deck	
Phased Out Items	
+Tuner/Frontend	
+Sensitivity	
+CRT EHT	
+Lightning Protection	NO
+Account	
+XX(Radio Antenna in)	
+Non Volatile Memory	
+In Y/C + Cinch(CVBS+Mo)	
Version of deck	

Item No.	Description	Quantity Req.	Designator	Remarks
08-002975-FRY	ASS'Y - PACKING FOR F/R CAB.	1		
74-120120-8CD	POLYBAG (120CMX120CM)	1		
74-145120-8CD	POLYBAG (145CMX120CM)	1		
74-339010-50C	EPE BOARD (800mmX530mmX5mm)	0.25		
74-339030-50C	EPE BOARD (1200MMX300MMX5MM)	1		
74-345900-50C	EPE BOARD (600MMX400MMX5MM)	0.25		
76-001497-0AF	CARTON BOX LWH 640X460X360MM	0.035		
76-002980-0AP	CARTON BOX LWH 820X600X600MM	0.25		
76-002980-0AP	CARTON BOX LWH 820X600X600MM	0.5		FOR REAR CAB.
76-346740-01A	CARTON SHEET LWH 440X620X3MM	0.04		
77-120120-6WC	BUBBLE BAG (120cmX120cm)	0.5		
74-339020-50C	EPE BOARD (800mmX600mmX5mm)	0.5		FOR R.CAB
08-0029S6-MAY	ASS'Y - MAIN BD	1		
10-0BY228-F0X	DIODE BY228	1	D411	
10-0FR104-FBX	DIODE FR104 (FAST RECTIFIER)	1	D412	
10-0FR104-FBX	DIODE FR104 (FAST RECTIFIER)	1	D421	
10-0FR104-FBX	DIODE FR104 (FAST RECTIFIER)	1	D441	
10-0FR104-FBX	DIODE FR104 (FAST RECTIFIER)	1	D431	
10-0FR104-FBX	DIODE FR104 (FAST RECTIFIER)	1	D432	
10-1N4001-EBX	DIODE 1N4001 (RECTIFIER)	1	D301	
10-1N4148-ABX	DIODE 1N4148 (SWITCHING)	1	D202	
10-1N4148-ABX	DIODE 1N4148 (SWITCHING)	1	D203	
10-1N4148-ABX	DIODE 1N4148 (SWITCHING)	1	D204	
10-1N4148-ABX	DIODE 1N4148 (SWITCHING)	1	D205	
10-1N4148-ABX	DIODE 1N4148 (SWITCHING)	1	D601	
10-1N4148-ABX	DIODE 1N4148 (SWITCHING)	1	D602	
10-1N4148-ABX	DIODE 1N4148 (SWITCHING)	1	D603	
10-1N4148-ABX	DIODE 1N4148 (SWITCHING)	1	D604	
10-1N4148-ABX	DIODE 1N4148 (SWITCHING)	1	D206	
10-1N4148-ABX	DIODE 1N4148 (SWITCHING)	1	D410	
10-1N4148-ABX	DIODE 1N4148 (SWITCHING)	1	R212	
10-1N4148-ABX	DIODE 1N4148 (SWITCHING)	1	D215	
10-1N4148-ABX	DIODE 1N4148 (SWITCHING)	1	D310	
10-79C8V2-DBX	DIODE ZENER 8V2 1/2W 5%	1	D303	
10-HS5V1B-DBX	DIODE 500mW 5.1HSB	1	D001	

Item No.	Description	Quantity Req.	Designator	Remarks
11-2SA817-AAX	TRANSISTOR 2SA817AY	1	Q208	
11-C124ES-0BX	TRANSISTOR PDTC124ES (NPN)	1	Q209	
11-C124ES-0BX	TRANSISTOR PDTC124ES (NPN)	1	Q918	
11-C124ES-0BX	TRANSISTOR PDTC124ES (NPN)	1	Q919	
11-SA1015-YBX	TRANSISTOR 2SA1015Y	1	Q008	
11-SA1015-YBX	TRANSISTOR 2SA1015Y	1	Q412	
11-SA1015-YBX	TRANSISTOR 2SA1015Y	1	Q413	
11-SA1015-YBX	TRANSISTOR 2SA1015Y	1	Q601	
11-SA1015-YBX	TRANSISTOR 2SA1015Y	1	Q912	
11-SA1015-YBX	TRANSISTOR 2SA1015Y	1	Q915	
11-SA1015-YBX	TRANSISTOR 2SA1015Y	1	Q916	
11-SC1815-YBX	TRANSISTOR 2SC1815Y	1	Q003	
11-SC1815-YBX	TRANSISTOR 2SC1815Y	1	Q007	
11-SC1815-YBX	TRANSISTOR 2SC1815Y	1	Q901	
11-SC1815-YBX	TRANSISTOR 2SC1815Y	1	Q203	
11-SC1815-YBX	TRANSISTOR 2SC1815Y	1	Q204	
11-SC1815-YBX	TRANSISTOR 2SC1815Y	1	Q402	
11-SC1815-YBX	TRANSISTOR 2SC1815Y	1	Q911	
11-SC1815-YBX	TRANSISTOR 2SC1815Y	1	Q913	
11-SC1815-YBX	TRANSISTOR 2SC1815Y	1	Q914	
11-SC1815-YBX	TRANSISTOR 2SC1815Y	1	Q917	
11-SC1815-YBX	TRANSISTOR 2SC1815Y	1	Q902	
11-SC1815-YBX	TRANSISTOR 2SC1815Y	1	Q903	
11-SC1815-YBX	TRANSISTOR 2SC1815Y	1	Q904	
11-SC2482-0BX	TRANSISTOR 2SC2482	1	Q401	
11-SC3779-DBX	TRANSISTOR 2SC3779D (RF AMPL)	1	Q101	
13-000040-52P	IC 4052	1	IC901	
13-00M24C-08P	IC EEPROM 8K M24C08 (WRITE)	1	IC001	
13-0TDA81-77S	IC TDA8177	1	IC301	
18-CB0100-JNX	RES. C.F. 10 OHM 1/6W +/-5%	1	R244	
18-CB0101-JNX	RES. C.F. 100 OHM 1/6W +/-5%	1	R023	
18-CB0101-JNX	RES. C.F. 100 OHM 1/6W +/-5%	1	R232	
18-CB0101-JNX	RES. C.F. 100 OHM 1/6W +/-5%	1	R937	
18-CB0101-JNX	RES. C.F. 100 OHM 1/6W +/-5%	1	R245	
18-CB0101-JNX	RES. C.F. 100 OHM 1/6W +/-5%	1	R234	

Item No.	Description	Quantity Req.	Designator	Remarks
18-CB0101-JNX	RES. C.F. 100 OHM 1/6W +/-5%	1	R101	
18-CB0101-JNX	RES. C.F. 100 OHM 1/6W +/-5%	1	R101A	
18-CB0101-JNX	RES. C.F. 100 OHM 1/6W +/-5%	1	R920	
18-CB0102-JNX	RES. C.F. 1K OHM 1/6W +/-5%	1	R003	
18-CB0102-JNX	RES. C.F. 1K OHM 1/6W +/-5%	1	R004	
18-CB0102-JNX	RES. C.F. 1K OHM 1/6W +/-5%	1	R031	
18-CB0102-JNX	RES. C.F. 1K OHM 1/6W +/-5%	1	R032	
18-CB0102-JNX	RES. C.F. 1K OHM 1/6W +/-5%	1	R248	
18-CB0102-JNX	RES. C.F. 1K OHM 1/6W +/-5%	1	R911	
18-CB0102-JNX	RES. C.F. 1K OHM 1/6W +/-5%	1	R453	
18-CB0102-JNX	RES. C.F. 1K OHM 1/6W +/-5%	1	R904	
18-CB0102-JNX	RES. C.F. 1K OHM 1/6W +/-5%	1	R906	
18-CB0102-JNX	RES. C.F. 1K OHM 1/6W +/-5%	1	R910	
18-CB0102-JNX	RES. C.F. 1K OHM 1/6W +/-5%	1	R912	
18-CB0102-JNX	RES. C.F. 1K OHM 1/6W +/-5%	1	R924	
18-CB0102-JNX	RES. C.F. 1K OHM 1/6W +/-5%	1	R925	
18-CB0102-JNX	RES. C.F. 1K OHM 1/6W +/-5%	1	R926	
18-CB0102-JNX	RES. C.F. 1K OHM 1/6W +/-5%	1	R929	
18-CB0102-JNX	RES. C.F. 1K OHM 1/6W +/-5%	1	R932	
18-CB0102-JNX	RES. C.F. 1K OHM 1/6W +/-5%	1	R932A	
18-CB0102-JNX	RES. C.F. 1K OHM 1/6W +/-5%	1	R934	
18-CB0102-JNX	RES. C.F. 1K OHM 1/6W +/-5%	1	R934A	
18-CB0102-JNX	RES. C.F. 1K OHM 1/6W +/-5%	1	R936	
18-CB0102-JNX	RES. C.F. 1K OHM 1/6W +/-5%	1	R601	
18-CB0102-JNX	RES. C.F. 1K OHM 1/6W +/-5%	1	R948	
18-CB0102-JNX	RES. C.F. 1K OHM 1/6W +/-5%	1	R033	
18-CB0102-JNX	RES. C.F. 1K OHM 1/6W +/-5%	1	R913	
18-CB0102-JNX	RES. C.F. 1K OHM 1/6W +/-5%	1	R916	
18-CB0102-JNX	RES. C.F. 1K OHM 1/6W +/-5%	1	R917	
18-CB0102-JNX	RES. C.F. 1K OHM 1/6W +/-5%	1	R239	
18-CB0103-JNX	RES. C.F. 10K OHM 1/6W +/-5%	1	R006	
18-CB0103-JNX	RES. C.F. 10K OHM 1/6W +/-5%	1	R025	
18-CB0103-JNX	RES. C.F. 10K OHM 1/6W +/-5%	1	R026	
18-CB0103-JNX	RES. C.F. 10K OHM 1/6W +/-5%	1	R043	
18-CB0103-JNX	RES. C.F. 10K OHM 1/6W +/-5%	1	R213	

Item No.	Description	Quantity Req.	Designator	Remarks
18-CB0103-JNX	RES. C.F. 10K OHM 1/6W +/-5%	1	R228	
18-CB0103-JNX	RES. C.F. 10K OHM 1/6W +/-5%	1	R314	
18-CB0103-JNX	RES. C.F. 10K OHM 1/6W +/-5%	1	R619	
18-CB0103-JNX	RES. C.F. 10K OHM 1/6W +/-5%	1	R944	
18-CB0103-JNX	RES. C.F. 10K OHM 1/6W +/-5%	1	R945	
18-CB0103-JNX	RES. C.F. 10K OHM 1/6W +/-5%	1	R618	
18-CB0103-JNX	RES. C.F. 10K OHM 1/6W +/-5%	1	R209	
18-CB0103-JNX	RES. C.F. 10K OHM 1/6W +/-5%	1	R034	
18-CB0103-JNX	RES. C.F. 10K OHM 1/6W +/-5%	1	R310	
18-CB0103-JNX	RES. C.F. 10K OHM 1/6W +/-5%	1	R620	
18-CB0104-JNX	RES. C.F. 100K OHM 1/6W +/-5%	1	R947	
18-CB0104-JNX	RES. C.F. 100K OHM 1/6W +/-5%	1	R222	
18-CB0104-JNX	RES. C.F. 100K OHM 1/6W +/-5%	1	R223	
18-CB0104-JNX	RES. C.F. 100K OHM 1/6W +/-5%	1	R254	
18-CB0121-JNX	RES. C.F. 120 OHM 1/6W +/-5%	1	R235	
18-CB0123-JNX	RES. C.F. 12k OHM 1/6W +/-5%	1	R938	
18-CB0151-JNX	RES. C.F. 150 OHM 1/6W +/-5%	1	R102	
18-CB0151-JNX	RES. C.F. 150 OHM 1/6W +/-5%	1	R108	
18-CB0151-JNX	RES. C.F. 150 OHM 1/6W +/-5%	1	R258	
18-CB0153-JNX	RES. C.F. 15k OHM 1/6W +/-5%	1	R933	
18-CB0201-JNX	RES. C.F. 200 OHM 1/6W +/-5%	1	R235A	
18-CB0220-JNX	RES. C.F. 22 OHM 1/6W +/-5%	1	R104	
18-CB0221-JNX	RES. C.F. 220 OHM 1/6W +/-5%	1	R401	
18-CB0221-JNX	RES. C.F. 220 OHM 1/6W +/-5%	1	R930	
18-CB0221-JNX	RES. C.F. 220 OHM 1/6W +/-5%	1	R931	
18-CB0122-JNX	RES. C.F. 1.2k OHM 1/6W +/-5%	1	R420A	
18-CB0222-JNX	RES. C.F. 2.2k OHM 1/6W +/-5%	1	R616	
18-CB0222-JNX	RES. C.F. 2.2k OHM 1/6W +/-5%	1	R942	
18-CB0222-JNX	RES. C.F. 2.2k OHM 1/6W +/-5%	1	R946A	
18-CB0222-JNX	RES. C.F. 2.2k OHM 1/6W +/-5%	1	R044	
18-CB0222-JNX	RES. C.F. 2.2k OHM 1/6W +/-5%	1	R417	
18-CB0223-JNX	RES. C.F. 22k OHM 1/6W +/-5%	1	R005	
18-CB0223-JNX	RES. C.F. 22k OHM 1/6W +/-5%	1	R951	
18-CB0223-JNX	RES. C.F. 22k OHM 1/6W +/-5%	1	R617	
18-CB0223-JNX	RES. C.F. 22k OHM 1/6W +/-5%	1	R903	

Item No.	Description	Quantity Req.	Designator	Remarks
18-CB0223-JNX	RES. C.F. 22k OHM 1/6W +/-5%	1	R905	
18-CB0223-JNX	RES. C.F. 22k OHM 1/6W +/-5%	1	R952	
18-CB0223-JNX	RES. C.F. 22k OHM 1/6W +/-5%	1	R953	
18-CB0223-JNX	RES. C.F. 22k OHM 1/6W +/-5%	1	R935	
18-CB0223-JNX	RES. C.F. 22k OHM 1/6W +/-5%	1	R954	
18-CB0223-JNX	RES. C.F. 22k OHM 1/6W +/-5%	1	R255	
18-CB0224-JNX	RES. C.F. 220k OHM 1/6W +/-5%	1	R220	
18-CB0271-JNX	RES. C.F. 270 OHM 1/6W +/-5%	1	R214	
18-CB0271-JNX	RES. C.F. 270 OHM 1/6W +/-5%	1	R215	
18-CB0271-JNX	RES. C.F. 270 OHM 1/6W +/-5%	1	R216	
18-CB0271-JNX	RES. C.F. 270 OHM 1/6W +/-5%	1	R241	
18-CB0271-JNX	RES. C.F. 270 OHM 1/6W +/-5%	1	R227	
18-CB0303-JNX	RES. C.F. 30K OHM 1/6W +/-5%	1	R219	
18-CB0331-JNX	RES. C.F. 330 OHM 1/6W +/-5%	1	R225	
18-CB0331-JNX	RES. C.F. 330 OHM 1/6W +/-5%	1	R233	
18-CB0331-JNX	RES. C.F. 330 OHM 1/6W +/-5%	1	R247	
18-CB0332-JNX	RES. C.F. 3.3k OHM 1/6W +/-5%	1	R233A	
18-CB0333-JNX	RES. C.F. 33K OHM 1/6W +/-5%	1	R230	
18-CB0333-JNX	RES. C.F. 33K OHM 1/6W +/-5%	1	R613	
18-CB0333-JNX	RES. C.F. 33K OHM 1/6W +/-5%	1	R614	
18-CB0333-JNX	RES. C.F. 33K OHM 1/6W +/-5%	1	R231	
18-CB0392-JNX	RES. C.F. 3.9K OHM 1/6W +/-5%	1	R007	
18-CB0392-JNX	RES. C.F. 3.9K OHM 1/6W +/-5%	1	R008	
18-CB0394-JNX	RES. C.F. 390K OHM 1/6W +/-5%	1	R939	
18-CB0470-JNX	RES. C.F. 47 OHM 1/6W +/-5%	1	R024	
18-CB0471-JNX	RES. C.F. 470 OHM 1/6W +/-5%	1	R036	
18-CB0471-JNX	RES. C.F. 470 OHM 1/6W +/-5%	1	R103	
18-CB0471-JNX	RES. C.F. 470 OHM 1/6W +/-5%	1	R238	
18-CB0472-JNX	RES. C.F. 4.7k OHM 1/6W +/-5%	1	R211	
18-CB0472-JNX	RES. C.F. 4.7k OHM 1/6W +/-5%	1	R010	
18-CB0472-JNX	RES. C.F. 4.7k OHM 1/6W +/-5%	1	R257	
18-CB0473-JNX	RES. C.F. 47K OHM 1/6W +/-5%	1	R229	
18-CB0560-JNX	RES. C.F. 56 OHM 1/6W +/-5%	1	R107	
18-CB0562-JNX	RES. C.F. 5.6k OHM 1/6W +/-5%	1	R256	
18-CB0681-JNX	RES. C.F. 680 OHM 1/6W +/-5%	1	R940	

Item No.	Description	Quantity Req.	Designator	Remarks
18-CB0681-JNX	RES. C.F. 680 OHM 1/6W +/-5%	1	R106	
18-CB0562-JNX	RES. C.F. 5.6k OHM 1/6W +/-5%	1	R418	
18-CB0683-JNX	RES. C.F. 68K OHM 1/6W +/-5%	1	R941	
18-CB0750-JNX	RES. C.F. 75 OHM 1/6W +/-5%	1	R923	
18-CB0820-JNX	RES. C.F. 82 OHM 1/6W +/-5%	1	R902	
18-CB0820-JNX	RES. C.F. 82 OHM 1/6W +/-5%	1	R908	
18-CB0822-JNX	RES. C.F. 8.2K OHM 1/6W +/-5%	1	R246	
18-CB0829-JNX	RES. C.F. 8.2 OHM 1/6W +/-5%	1	R610	
18-CB0829-JNX	RES. C.F. 8.2 OHM 1/6W +/-5%	1	R621	
18-CD0479-JNX	RES. C.F. 4.7 OHM 1/4W +/-5%	1	R030	
18-DD0103-FNX	RES. M.F. 10K OHM 1/4W +/-1%	1	R311	
18-DD0183-FNX	RES. M.F. 18K OHM 1/4W +/-1%	1	R312	
18-DD0392-FNX	RES. M.F. 3.9K OHM 1/4W +/-1%	1	R302	
18-FF0242-JGX	RES. M.O. 2.4K OHM 1W +/-5%	1	R402	
18-FF0681-JGX	RES. M.O. 680 OHM 1W +/-5%	1	R419	
18-FG0103-JHX	RES. M.O. 10K OHM 2W +/-5%	1	R421	
18-FG0399-JHX	RES. M.O. 3.9 OHM 2W +/-5%	1	R415	
18-RG0109-JHX	RES. WIRE ROUND 1 OHM 2W +/-5%	1	R422	
18-RG0228-JHX	RES. WIRE ROUND 0.22 OHM 2W +/-5%	1	R611	
25-264610-M1X	CAP. ELEC 4.7UF 50V +/-20% NP	1	C415	
25-BCB100-M1X	CAP. ELEC 10 UF 16V +/-20%	1	C021	
25-BCB100-M1X	CAP. ELEC 10 UF 16V +/-20%	1	C025	
25-BCB100-M1X	CAP. ELEC 10 UF 16V +/-20%	1	C028	
25-BCB100-M1X	CAP. ELEC 10 UF 16V +/-20%	1	C033	
25-BCB100-M1X	CAP. ELEC 10 UF 16V +/-20%	1	C041	
25-BCB100-M1X	CAP. ELEC 10 UF 16V +/-20%	1	C228	
25-BCB100-M1X	CAP. ELEC 10 UF 16V +/-20%	1	C619	
25-BCB100-M1X	CAP. ELEC 10 UF 16V +/-20%	1	C620	
25-BCB100-M1X	CAP. ELEC 10 UF 16V +/-20%	1	C904	
25-BCB100-M1X	CAP. ELEC 10 UF 16V +/-20%	1	C905	
25-BCB100-M1X	CAP. ELEC 10 UF 16V +/-20%	1	C909	
25-BCB100-M1X	CAP. ELEC 10 UF 16V +/-20%	1	C910	
25-BCB100-M1X	CAP. ELEC 10 UF 16V +/-20%	1	C924	
25-BCB100-M1X	CAP. ELEC 10 UF 16V +/-20%	1	C927	
25-BCB100-M1X	CAP. ELEC 10 UF 16V +/-20%	1	C928	

Item No.	Description	Quantity Req.	Designator	Remarks
25-BCB100-M1X	CAP. ELEC 10 UF 16V +/-20%	1	C209	
25-BCB101-M1X	CAP. ELEC 100 UF 16V +/-20%	1	C219	
25-BCB101-M1X	CAP. ELEC 100 UF 16V +/-20%	1	C233	
25-BCB101-M1X	CAP. ELEC 100 UF 16V +/-20%	1	C912	
25-BCB101-M1X	CAP. ELEC 100 UF 16V +/-20%	1	C914	
25-BCB101-M1X	CAP. ELEC 100 UF 16V +/-20%	1	C930	
25-BCB220-M1X	CAP. ELEC 22 UF 16V +/-20%	1	C645	
25-BCB221-M1X	CAP. ELEC 220 UF 16V +/-20%	1	C926	
25-BCB221-M1X	CAP. ELEC 220 UF 16V +/-20%	1	C646	
25-BCB470-M1X	CAP. ELEC 47 UF 16V +/-20%	1	C213	
25-BCB470-M1X	CAP. ELEC 47 UF 16V +/-20%	1	C229	
25-BCB470-M1X	CAP. ELEC 47 UF 16V +/-20%	1	C903	
25-BCB470-M1X	CAP. ELEC 47 UF 16V +/-20%	1	C908	
25-BCB470-M1X	CAP. ELEC 47 UF 16V +/-20%	1	C644	
25-BDA102-M1X	CAP. ELEC 1000 UF 25V +/-20%	1	C632	
25-BDB100-M1X	CAP. ELEC 10 UF 25V +/-20%	1	C641	
25-BEA221-M1X	CAP. ELEC 220 UF 35V +/-20%	1	C301	
25-BEA221-M1X	CAP. ELEC 220 UF 35V +/-20%	1	C308	
25-BEB101-M1X	CAP. ELEC 100 UF 35V +/-20%	1	C302	
25-BFB100-M1X	CAP. ELEC 10 UF 50V +/-20%	1	C237	
25-BFB101-M1X	CAP. ELEC 100 UF 50V +/-20%	1	C105	
25-BFB101-M1X	CAP. ELEC 100 UF 50V +/-20%	1	C224	
25-BFB108-M1X	CAP. ELEC 0.1 UF 50V +/-20%	1	C211	
25-BFB109-M1X	CAP. ELEC 1 UF 50V +/-20%	1	C218	
25-BFB109-M1X	CAP. ELEC 1 UF 50V +/-20%	1	C248	
25-BFB109-M1X	CAP. ELEC 1 UF 50V +/-20%	1	C221	
25-BFB109-M1X	CAP. ELEC 1 UF 50V +/-20%	1	C241	
25-BFB109-M1X	CAP. ELEC 1 UF 50V +/-20%	1	C243	
25-BFB478-M1X	CAP. ELEC 0.47 UF 50V +/-20%	1	C227	
25-BFB478-M1X	CAP. ELEC 0.47 UF 50V +/-20%	1	C923	
25-BFB479-M1X	CAP. ELEC 4.7 UF 50V +/-20%	1	C101	
25-BJB479-M1X	CAP. ELEC 4.7 UF 160V +/-20%	1	C401	
25-GFB228-K1X	CAP. ELEC 0.22 UF 50V +/-10%	1	C216	
25-GFB478-K1X	CAP. ELEC 0.47 UF 50V +/-10%	1	C246	
25-GLA100-M1X	CAP. ELEC 10 UF 250V +/-20%	1	C421	

Item No.	Description	Quantity Req.	Designator	Remarks
25-GLA220-M1X	CAP. ELEC 22UF 250V +/-20%	1	C442	
26-ABC104-ZFX	CAP. CER 0.1 UF 50V +80-20% F	1	C230	
26-AIC221-KBX	CAP. CER 220 PF 500V +/-10% B	1	C441	
26-AIC221-KBX	CAP. CER 220 PF 500V +/-10% B	1	C433	
26-AIC332-KBX	CAP. CER 3300 PF 500V +/-10% B	1	C402	
26-AIC391-KBX	CAP. CER 390 PF 500V +/-10% B	1	C403	
26-EBP102-KBX	CAP. CER 1000 PF 50V +/-10% B	1	C109	
26-EBP102-KBX	CAP. CER 1000 PF 50V +/-10% B	1	C226	
26-EBP272-KBX	CAP. CER 2700pF 50V +/-10% B	1	C003	
26-EBP102-KBX	CAP. CER 1000 PF 50V +/-10% B	1	C915	
26-EBP102-KBX	CAP. CER 1000 PF 50V +/-10% B	1	C916	
26-EBP103-ZFX	CAP. CER 0.01UF 50V +80/-20% F	1	C022	
26-EBP103-ZFX	CAP. CER 0.01UF 50V +80/-20% F	1	C029	
26-EBP103-ZFX	CAP. CER 0.01UF 50V +80/-20% F	1	C034	
26-EBP103-ZFX	CAP. CER 0.01UF 50V +80/-20% F	1	C106	
26-EBP103-ZFX	CAP. CER 0.01UF 50V +80/-20% F	1	C107	
26-EBP103-ZFX	CAP. CER 0.01UF 50V +80/-20% F	1	C108	
26-EBP103-ZFX	CAP. CER 0.01UF 50V +80/-20% F	1	C214	
26-EBP103-ZFX	CAP. CER 0.01UF 50V +80/-20% F	1	C220	
26-EBP103-ZFX	CAP. CER 0.01UF 50V +80/-20% F	1	C225	
26-EBP103-ZFX	CAP. CER 0.01UF 50V +80/-20% F	1	C027	
26-EBP103-ZFX	CAP. CER 0.01UF 50V +80/-20% F	1	C234	
26-EBP103-ZFX	CAP. CER 0.01UF 50V +80/-20% F	1	C236	
26-EBP103-ZFX	CAP. CER 0.01UF 50V +80/-20% F	1	C244	
26-EBP103-ZFX	CAP. CER 0.01UF 50V +80/-20% F	1	C911	
26-EBP103-ZFX	CAP. CER 0.01UF 50V +80/-20% F	1	C913	
26-EBP103-ZFX	CAP. CER 0.01UF 50V +80/-20% F	1	C929	
26-EBP103-ZFX	CAP. CER 0.01UF 50V +80/-20% F	1	C633	
26-EBP103-ZFX	CAP. CER 0.01UF 50V +80/-20% F	1	C643	
26-EBP152-KBX	CAP. CER 1500pF 50V +/-10% B	1	C002	
26-EBP181-JCX	CAP. CER 180PF 50V +/-5% CH	1	C922	
26-EBP221-JCX	CAP. CER 220PF 50V +/-5% CH	1	C030	
26-EBP221-JCX	CAP. CER 220PF 50V +/-5% CH	1	C431	
26-EBP222-KBX	CAP. CER 2200PF 50V +/-10% B	1	C217	
26-EBP222-KBX	CAP. CER 2200PF 50V +/-10% B	1	C231	

Item No.	Description	Quantity Req.	Designator	Remarks
26-EBP270-JCX	CAP. CER 27PF 50V +/-5% CH	1	C008	
26-EBP330-JCX	CAP. CER 33PF 50V +/-5% CH	1	C925	
26-EBP390-JCX	CAP. CER 39PF 50V +/-5% CH	1	C031	
26-EBP390-JCX	CAP. CER 39PF 50V +/-5% CH	1	C032	
26-EBP470-JCX	CAP. CER 47PF 50V +/-5% CH	1	C253	
26-EBP470-JCX	CAP. CER 47PF 50V +/-5% CH	1	C254	
26-EBP471-JCX	CAP. CER 470PF 50V +/-5% CH	1	C239	
27-MBC104-J0X	CAP. M.P.E 0.1 UF 63V +/-5%	1	C631	
27-MBC104-J0X	CAP. M.P.E 0.1 UF 63V +/-5%	1	C634	
27-MBC104-J0X	CAP. M.P.E 0.1 UF 63V +/-5%	1	C642	
27-MBC104-J0X	CAP. M.P.E 0.1 UF 63V +/-5%	1	C238	
27-MBC104-J0X	CAP. M.P.E 0.1 UF 63V +/-5%	1	C242	
27-MBC684-J0X	CAP. M.P.E 0.68UF 63V +/-5%	1	C305	
27-PBC102-J0X	CAP. P.E 0.001UF 63V +/-5%	1	C635	
27-PBC102-J0X	CAP. P.E 0.001UF 63V +/-5%	1	C638	
27-PBC822-J0X	CAP. P.E 0.0082UF 63V +/-5%	1	C247	
27-RHQ563-J0X	CAP. PP 0.056 UF 400V +/-5%	1	C451	
34-A109K0-1IX	COIL CHOKE 1 UH +/-10%	1	L102	
34-R100J2-0EX	COIL PL - 10 UH +/-5%	1	L002	
34-R100J2-0EX	COIL PL - 10 UH +/-5%	1	L212	
34-R101K2-1BX	COIL CHOKE 100 UH +/-10%	1	J622	
34-R220J2-0EX	COIL PL - 22 UH +/-5%	1	L204	
34-R220J2-0EX	COIL PL - 22 UH +/-5%	1	L205	
34-R220J2-0EX	COIL PL - 22 UH +/-5%	1	L950	
34-R220J2-0EX	COIL PL - 22 UH +/-5%	1	L208	
34-R220J2-0EX	COIL PL - 22 UH +/-5%	1	L206	
34-R470J2-0EX	COIL PL - 47 UH +/-5%	1	L101	
36-HDR001-AX1	TRANSFOR HOR. DRIVE (MAGNETIC CORE)	1	T401	
41-DE0280-1BB	WIRE	1		FOR S1 TO S1
41-WJ0050-B00	WIRE BARE JUMPER 5MM	1	J026	
41-WJ0050-B00	WIRE BARE JUMPER 5MM	1	J220A	
41-WJ0050-B00	WIRE BARE JUMPER 5MM	1	L201	
41-WJ0060-B00	WIRE BARE JUMPER 6mm	1	J104	
41-WJ0060-B00	WIRE BARE JUMPER 6mm	1	J220	
41-WJ0060-B00	WIRE BARE JUMPER 6mm	1	J222	

Item No.	Description	Quantity Req.	Designator	Remarks
41-WJ0060-B00	WIRE BARE JUMPER 6mm	1	J301	
41-WJ0060-B00	WIRE BARE JUMPER 6mm	1	J306	
41-WJ0060-B00	WIRE BARE JUMPER 6mm	1	J901	
41-WJ0060-B00	WIRE BARE JUMPER 6mm	1	J921	
41-WJ0060-B00	WIRE BARE JUMPER 6mm	1	J107	
41-WJ0060-B00	WIRE BARE JUMPER 6mm	1	J108	
41-WJ0065-B00	WIRE BARE JUMPER 6.5MM	1	J103	
41-WJ0065-B00	WIRE BARE JUMPER 6.5MM	1	J204	
41-WJ0065-B00	WIRE BARE JUMPER 6.5MM	1	J037	
41-WJ0065-B00	WIRE BARE JUMPER 6.5MM	1	J038	
41-WJ0065-B00	WIRE BARE JUMPER 6.5MM	1	J039	
41-WJ0065-B00	WIRE BARE JUMPER 6.5MM	1	J221	
41-WJ0065-B00	WIRE BARE JUMPER 6.5MM	1	J603	
41-WJ0065-B00	WIRE BARE JUMPER 6.5MM	1	J605	
41-WJ0065-B00	WIRE BARE JUMPER 6.5MM	1	J903	
41-WJ0065-B00	WIRE BARE JUMPER 6.5MM	1	J935	
41-WJ0065-B00	WIRE BARE JUMPER 6.5MM	1	J946	
41-WJ0065-B00	WIRE BARE JUMPER 6.5MM	1	R027	
41-WJ0065-B00	WIRE BARE JUMPER 6.5MM	1	R028	
41-WJ0070-B00	WIRE BARE JUMPER 7MM	1	J205	
41-WJ0075-B00	WIRE BARE JUMPER 7.5MM	1	J025	
41-WJ0075-B00	WIRE BARE JUMPER 7.5MM	1	J027	
41-WJ0075-B00	WIRE BARE JUMPER 7.5MM	1	J031	
41-WJ0075-B00	WIRE BARE JUMPER 7.5MM	1	J033	
41-WJ0075-B00	WIRE BARE JUMPER 7.5MM	1	J035	
41-WJ0075-B00	WIRE BARE JUMPER 7.5MM	1	J229	
41-WJ0075-B00	WIRE BARE JUMPER 7.5MM	1	J307	
41-WJ0075-B00	WIRE BARE JUMPER 7.5MM	1	J609	
41-WJ0075-B00	WIRE BARE JUMPER 7.5MM	1	J610	
41-WJ0075-B00	WIRE BARE JUMPER 7.5MM	1	J612	
41-WJ0075-B00	WIRE BARE JUMPER 7.5MM	1	J922	
41-WJ0075-B00	WIRE BARE JUMPER 7.5MM	1	J930	
41-WJ0075-B00	WIRE BARE JUMPER 7.5MM	1	J937	
41-WJ0075-B00	WIRE BARE JUMPER 7.5MM	1	D311	
41-WJ0080-B00	WIRE BARE JUMPER 8 MM	1	J032	

Item No.	Description	Quantity Req.	Designator	Remarks
41-WJ0080-B00	WIRE BARE JUMPER 8 MM	1	J304	
41-WJ0080-B00	WIRE BARE JUMPER 8 MM	1	J303	
41-WJ0080-B00	WIRE BARE JUMPER 8 MM	1	J623	
41-WJ0085-B00	WIRE BARE JUMPER 8.5MM	1	J202	
41-WJ0085-B00	WIRE BARE JUMPER 8.5MM	1	J203	
41-WJ0085-B00	WIRE BARE JUMPER 8.5MM	1	J206	
41-WJ0085-B00	WIRE BARE JUMPER 8.5MM	1	J905	
41-WJ0085-B00	WIRE BARE JUMPER 8.5MM	1	J907	
41-WJ0085-B00	WIRE BARE JUMPER 8.5MM	1	J924	
41-WJ0085-B00	WIRE BARE JUMPER 8.5MM	1	J936	
41-WJ0085-B00	WIRE BARE JUMPER 8.5MM	1	J945	
41-WJ0095-B00	WIRE BARE JUMPER 9.5MM	1	J105	
41-WJ0095-B00	WIRE BARE JUMPER 9.5MM	1	J106	
41-WJ0095-B00	WIRE BARE JUMPER 9.5MM	1	J614	
41-WJ0100-B00	WIRE BARE JUMPER 10MM	1	J001	
41-WJ0100-B00	WIRE BARE JUMPER 10MM	1	J002	
41-WJ0100-B00	WIRE BARE JUMPER 10MM	1	J406	
41-WJ0100-B00	WIRE BARE JUMPER 10MM	1	J906	
41-WJ0100-B00	WIRE BARE JUMPER 10MM	1	J932	
41-WJ0100-B00	WIRE BARE JUMPER 10MM	1	J933	
41-WJ0100-B00	WIRE BARE JUMPER 10MM	1	J934	
41-WJ0100-B00	WIRE BARE JUMPER 10MM	1	J602	
41-WJ0105-B00	WIRE BARE JUMPER 10.5MM	1	J018	
41-WJ0105-B00	WIRE BARE JUMPER 10.5MM	1	J607	
41-WJ0105-B00	WIRE BARE JUMPER 10.5MM	1	J608	
41-WJ0105-B00	WIRE BARE JUMPER 10.5MM	1	J214A	
41-WJ0110-B00	WIRE BARE JUMPER 11MM	1	J024	
41-WJ0110-B00	WIRE BARE JUMPER 11MM	1	J028	
41-WJ0110-B00	WIRE BARE JUMPER 11MM	1	J228	
41-WJ0110-B00	WIRE BARE JUMPER 11MM	1	J613	
41-WJ0110-B00	WIRE BARE JUMPER 11MM	1	J919	
41-WJ0110-B00	WIRE BARE JUMPER 11MM	1	J927	
41-WJ0110-B00	WIRE BARE JUMPER 11MM	1	J022	
41-WJ0115-B00	WIRE BARE JUMPER 11.5MM	1	J034	
41-WJ0115-B00	WIRE BARE JUMPER 11.5MM	1	J912	

Item No.	Description	Quantity Req.	Designator	Remarks
41-WJ0115-B00	WIRE BARE JUMPER 11.5MM	1	J939	
41-WJ0120-B00	WIRE BARE JUMPER 12MM	1	J023	
41-WJ0125-B00	WIRE BARE JUMPER 12.5MM	1	J004	
41-WJ0125-B00	WIRE BARE JUMPER 12.5MM	1	J109	
41-WJ0125-B00	WIRE BARE JUMPER 12.5MM	1	J212	
41-WJ0125-B00	WIRE BARE JUMPER 12.5MM	1	J213	
41-WJ0125-B00	WIRE BARE JUMPER 12.5MM	1	J231	
41-WJ0125-B00	WIRE BARE JUMPER 12.5MM	1	J305	
41-WJ0125-B00	WIRE BARE JUMPER 12.5MM	1	J404	
41-WJ0125-B00	WIRE BARE JUMPER 12.5MM	1	J617	
41-WJ0125-B00	WIRE BARE JUMPER 12.5MM	1	J618	
41-WJ0125-B00	WIRE BARE JUMPER 12.5MM	1	J929	
41-WJ0125-B00	WIRE BARE JUMPER 12.5MM	1	R308	
41-WJ0125-B00	WIRE BARE JUMPER 12.5MM	1	J601	
41-WJ0130-B00	WIRE BARE JUMPER 13MM	1	J005	
41-WJ0130-B00	WIRE BARE JUMPER 13MM	1	J615	
41-WJ0130-B00	WIRE BARE JUMPER 13MM	1	J616	
41-WJ0130-B00	WIRE BARE JUMPER 13MM	1	J920	
41-WJ0130-B00	WIRE BARE JUMPER 13MM	1	J931	
41-WJ0135-B00	WIRE BARE JUMPER 13.5MM	1	J030	
41-WJ0135-B00	WIRE BARE JUMPER 13.5MM	1	J909	
41-WJ0135-B00	WIRE BARE JUMPER 13.5MM	1	J910	
41-WJ0140-B00	WIRE BARE JUMPER 14MM	1	J226	
41-WJ0150-B00	WIRE BARE JUMPER 15MM	1	J019	
41-WJ0150-B00	WIRE BARE JUMPER 15MM	1	J020	
41-WJ0150-B00	WIRE BARE JUMPER 15MM	1	J224	
41-WJ0150-B00	WIRE BARE JUMPER 15MM	1	J613A	
41-WJ0150-B00	WIRE BARE JUMPER 15MM	1	J619	
41-WJ0150-B00	WIRE BARE JUMPER 15MM	1	J620	
41-WJ0150-B00	WIRE BARE JUMPER 15MM	1	J621	
41-WJ0150-B00	WIRE BARE JUMPER 15MM	1	J938	
41-WJ0150-B00	WIRE BARE JUMPER 15MM	1	L412	
41-WJ0160-B00	WIRE BARE JUMPER 16MM	1	J208	
41-WJ0160-B00	WIRE BARE JUMPER 16MM	1	J214	
41-WJ0165-B00	WIRE BARE JUMPER 16.5MM	1	J009	

Item No.	Description	Quantity Req.	Designator	Remarks
41-WJ0165-B00	WIRE BARE JUMPER 16.5MM	1	J029	
41-WJ0165-B00	WIRE BARE JUMPER 16.5MM	1	J225	
41-WJ0175-B00	WIRE BARE JUMPER 17.5MM	1	J915	
41-WJ0185-B00	WIRE BARE JUMPER 18.5MM	1	J015	
41-WJ0185-B00	WIRE BARE JUMPER 18.5MM	1	J606	
41-WJ0190-B00	WIRE BARE JUMPER 19MM	1	J926	
41-WJ0190-B00	WIRE BARE JUMPER 19MM	1	J914	
41-WJ0190-B00	WIRE BARE JUMPER 19MM	1	J913	
41-WJ0190-B00	WIRE BARE JUMPER 19MM	1	J218	
41-WJ0200-B00	WIRE BARE JUMPER 20MM	1	J010	
41-WJ0200-B00	WIRE BARE JUMPER 20MM	1	J011	
41-WJ0200-B00	WIRE BARE JUMPER 20MM	1	J012	
41-WJ0200-B00	WIRE BARE JUMPER 20MM	1	J013	
41-WJ0200-B00	WIRE BARE JUMPER 20MM	1	J014	
41-WJ0200-B00	WIRE BARE JUMPER 20MM	1	J211	
41-WJ0200-B00	WIRE BARE JUMPER 20MM	1	J215	
41-WJ0200-B00	WIRE BARE JUMPER 20MM	1	J216	
41-WJ0200-B00	WIRE BARE JUMPER 20MM	1	J217	
41-WJ0200-B00	WIRE BARE JUMPER 20MM	1	J230	
41-WJ0200-B00	WIRE BARE JUMPER 20MM	1	J604	
45-OSC8M0-0Y0	CRYSTAL 8.0MHZ	1	X001	
45-TRA4M5-0Y0	CER TRAP TPS 4.5MHZ	1	X201	
46-20598W-04X	PIN BASE *4 TJC1-4A	1		P411 FOR D.Y CONNECTOR
46-33079W-03X	PIN BASE *3 TJC3-3A	1		P002 P2 - P4 FOR W. BAL ADJUST
46-37030H-05X	HS 5P 2468#24 450 TJC3-5Y/SCN	1		P201 P1 - P5 FOR CRT BD P503
57-10654X-00F	cable ties□(2.5mmX95mm)	3		
62-227680-0UA	BRACKET ABS-KINGFA 606 (UO)	1		
64-P30080-104	M/C SCREW P 3 X 8	1		FOR IC301
64-P30080-104	M/C SCREW P 3 X 8	1		FOR Q411
64-P30080-104	M/C SCREW P 3 X 8	1		FOR Q414
64-P30100-104	M/C SCREW P 3 X 10	2		FOR IC602
65-Z30050-23M	NUT M 3	2		FOR IC301 & Q411
66-343730-0B0	HOLLOW RIVET 1.6X3.0XL3.2	3		FOR C411(1,2,3)
66-343730-0B0	HOLLOW RIVET 1.6X3.0XL3.2	10		FOR T402(1,2,4,5,6,7,8,9,10,11)
66-343730-0B0	HOLLOW RIVET 1.6X3.0XL3.2	3		FOR C414(1,2,3)

Item No.	Description	Quantity Req.	Designator	Remarks
66-343730-0B0	HOLLOW RIVET 1.6X3.0XL3.2	2		FOR C419(1,2)
66-343730-0B0	HOLLOW RIVET 1.6X3.0XL3.2	2		FOR L413
66-343730-0B0	HOLLOW RIVET 1.6X3.0XL3.2	2		FOR L414
66-343730-0B0	HOLLOW RIVET 1.6X3.0XL3.2	3		FOR Q411
66-343730-0B0	HOLLOW RIVET 1.6X3.0XL3.2	2		FOR C413(1,2)
66-343730-0B0	HOLLOW RIVET 1.6X3.0XL3.2	3		FOR C412(1,2,3)
66-382330-0B7	RIVET 2.0X3.7X3.5	2		FOR IC602
66-382330-0B7	RIVET 2.0X3.7X3.5	2		FOR Q414
66-382330-0B7	RIVET 2.0X3.7X3.5	2		FOR D411
66-382330-0B7	RIVET 2.0X3.7X3.5	2		FOR R404
67-H27292-1A0	HEAT SINK	1		FOR Q414
67-H30147-1A0	HEAT SINK	1		FOR Q411
67-H30179-7A0	HEAT SINK	1		FOR IC301
67-H34423-BA0	HEAT SINK	1		FOR IC602
26-EBP103-ZFX	CAP. CER 0.01UF 50V +80/-20% F	1	C418	
26-EBP103-ZFX	CAP. CER 0.01UF 50V +80/-20% F	1	C280	
26-EBP103-ZFX	CAP. CER 0.01UF 50V +80/-20% F	1	C281	
26-EBP103-ZFX	CAP. CER 0.01UF 50V +80/-20% F	1	C026	
26-EBP103-ZFX	CAP. CER 0.01UF 50V +80/-20% F	1	C043	
41-WJ0070-B00	WIRE BARE JUMPER 7MM	1	J904	
25-343260-M1X	CAR. ELEC	1	C432	
25-343260-M1X	CAR. ELEC	1	C435	
34-R829J2-0EX	COIL PL - 8.2 UH +/-5%	1	L209	
46-30615H-04X	HS 4P24 460 F/W TJC3-4Y/SCN-4	1		P421 FOR CRT BD P502
18-GJ0472-JTX1	RES. CEMENT 4.7K OHM 5W +/-5%	1	R404	
41-WJ0150-B00	WIRE BARE JUMPER 15MM	1	L411	
18-CB0272-JNX	RES. C.F. 2.7k OHM 1/6W +/-5%	1	R412	
25-BFB479-M1X	CAP. ELEC 4.7 UF 50V +/-20%	1	C251	
18-CB0122-JNX	RES. C.F. 1.2k OHM 1/6W +/-5%	1	R262	
10-1N4148-ABX	DIODE 1N4148 (SWITCHING)	1	D211	
10-1N4148-ABX	DIODE 1N4148 (SWITCHING)	1	D212	
10-1N4148-ABX	DIODE 1N4148 (SWITCHING)	1	D214	
10-79C3V9-DBX	DIODE ZENER 3V9 1/2W 5%	1	D213	
41-WJ0140-B00	WIRE BARE JUMPER 14MM	1	J302	
41-WJ0190-B00	WIRE BARE JUMPER 19MM	1	J219	

Item No.	Description	Quantity Req.	Designator	Remarks
18-CB0122-JNX	RES. C.F. 1.2k OHM 1/6W +/-5%	1	R946	
40-2918T6-MAE1X	P.C.B. MAIN CTL BD	1		
41-WJ0110-B00	WIRE BARE JUMPER 11MM	1	J042	
41-WJ0110-B00	WIRE BARE JUMPER 11MM	1	J043	
41-WJ0110-B00	WIRE BARE JUMPER 11MM	1	J044	
41-WJ0090-B00	WIRE BARE JUMPER 9MM	1	J309	
41-WJ0080-B00	WIRE BARE JUMPER 8 MM	1	J917	
41-WJ0130-B00	WIRE BARE JUMPER 13MM	1	J918	
41-WJ0085-B00	WIRE BARE JUMPER 8.5MM	1	D261	
41-WJ0050-B00	WIRE BARE JUMPER 5MM	1	L301	
18-DD0333-FNX	RES. M.F 33K OHM 1/4W +/-1%	1	R303	
25-BDB479-M1X	CAP. ELEC 4.7 UF 25V +/-20%	1	C223	
25-BFB470-M1X	CAP. ELEC 47 UF 50V +/-20%	1	C250	
41-WJ0065-B00	WIRE BARE JUMPER 6.5MM	1	J039A	
41-WJ0065-B00	WIRE BARE JUMPER 6.5MM	1	R226	
41-WJ0075-B00	WIRE BARE JUMPER 7.5MM	1	J312	
11-630MFP-0AX	TRANSISTOR IRF630MFP	1	Q414	
18-CB0822-JNX	RES. C.F. 8.2K OHM 1/6W +/-5%	1	R420	
41-WJ0100-B00	WIRE BARE JUMPER 10MM	1	J916	
08-0029S6-PWY	ASS'Y - POWER PARTS	1		
10-0001H8-FBX	DIODE 1H8 (FAST RECOVERY)	1	D851	
10-00RU4C-F0X	FAST RECOVERY DIODE RU4C	1	D831	
10-0EU2YX-FBX	DIODE EU2YX (FAST RECOVERY)	1	D832	
10-0RU4YX-F0X	DIODE RU4YX (FAST RECOVERY)	1	D833	
10-1N4148-ABX	DIODE 1N4148 (SWITCHING)	1	D807	
10-1N4148-ABX	DIODE 1N4148 (SWITCHING)	1	D808	
10-CW574C-DJX	DIODE CW574CD	1	D824	
11-C144ES-0BX	TRANSISTOR PDTC144ES (NPN)	1	Q803	
11-C144ES-0BX	TRANSISTOR PDTC144ES (NPN)	1	Q804	
11-P08P06-0AX	TRANSISTOR SPP08P06P	1	Q802	
11-SK3451-0CX	TRANSISTOR 2SK3451-01MR	1	Q801	
13-DA1684-62P	IC TDA16846-2(Q67040-S4494)	1	IC801	
13-L7805C-VAP	IC L7805CV 1.5A (REGULATOR)	1	IC805	
13-L7809C-VAP	IC L7809CV	1	IC804	
13-LM431A-CZT	IC LM431ACZ(TO-92)	1	IC803	

Item No.	Description	Quantity Req.	Designator	Remarks
13-SFH615-A3P	PHOTO COUPLER SFH615A3	1	IC802	
18-CB0102-JNX	RES. C.F. 1K OHM 1/6W +/-5%	1	R813	
18-CB0103-JNX	RES. C.F. 10K OHM 1/6W +/-5%	1	R833	
18-CB0103-JNX	RES. C.F. 10K OHM 1/6W +/-5%	1	R807	
18-CB0104-JNX	RES. C.F. 100K OHM 1/6W +/-5%	1	R834A	
18-CB0123-JNX	RES. C.F. 12k OHM 1/6W +/-5%	1	R805	
18-CB0182-JNX	RES. C.F. 1.8K OHM 1/6W +/-5%	1	R841	
18-CB0221-JNX	RES. C.F. 220 OHM 1/6W +/-5%	1	R809	
18-CB0222-JNX	RES. C.F. 2.2k OHM 1/6W +/-5%	1	R839	
18-CB0303-JNX	RES. C.F. 30K OHM 1/6W +/-5%	1	R808	
18-CB0333-JNX	RES. C.F. 33K OHM 1/6W +/-5%	1	R806	
18-CB0333-JNX	RES. C.F. 33K OHM 1/6W +/-5%	1	R837	
18-CB0513-JNX	RES. C.F. 51k OHM 1/6W +/-5%	1	R804	
18-CD0102-JNX	RES. C.F. 1k OHM 1/4W +/-5%	1	R811	
18-CD0221-JNX	RES. C.F. 220 OHM 1/4W +/-5%	1	R838	
18-CD0470-JNX	RES. C.F. 47 OHM 1/4W +/-5%	1	R810	
18-CE0332-JNX	RES. C.F. 3.3k OHM 1/2W +/-5%	1	R843	
18-FE0124-JNX	RES. M.O. 120K OHM 1/2W +/-5%	1	R840	
18-FG0104-JHX	RES. M.O. 100K OHM 2W +/-5%	1	R851	
18-FG0104-JHX	RES. M.O. 100K OHM 2W +/-5%	1	R852	
18-FG0221-JHX	RES. M.O. 220 OHM 2W +/-5%	1	R834	
18-FG0330-JHX	RES. M.O. 33 OHM 2W +/-5%	1	R832	
18-FG0822-JHX	RES. M.O. 8.2K OHM 2W +/-5%	1	R842	
18-FH0223-JLX	RES. M.O. 22K OHM 3W +/-5%	1	R831	
18-KE0105-JN3	RES. H.VOLT. CC 1M OHM 1/2W +/-5%	1	R801	
18-KE0105-JN3	RES. H.VOLT. CC 1M OHM 1/2W +/-5%	1	R802	
18-KE0105-JN3	RES. H.VOLT. CC 1M OHM 1/2W +/-5%	1	R808B	
18-KE0475-JNX	RES. H. VOLT. CC 4.7M OHM 1/2W	1	R803	
18-KF0825-JH3	RES. H.VOLT.CC 8.2M OHM 1W +/-5%	1	R835	
20-TR102H-5CX	TRIMMER B1K HORIZ TYPE	1	VR821	
22-NTC479-XX0	NTC 4.7 OHM +/-18% NTC4.7D2-14	1	RT802	
25-343260-M1X	CAP. ELEC	1	C838	
25-BCA102-M1X	CAP. ELEC 1000 UF 16V +/-20%	1	C842	
25-BCB100-M1X	CAP. ELEC 10 UF 16V +/-20%	1	C836A	
25-BCB101-M1X	CAP. ELEC 100 UF 16V +/-20%	1	C845A	

Item No.	Description	Quantity Req.	Designator	Remarks
25-BDB470-M1X	CAP. ELEC 47 UF 25V +/-20%	1	C840	
25-BJG221-M1X	CAP. ELEC 220 UF 160V +/-20%	1	C835	
25-KEG222-M1X	CAP. ELEC 2200 UF 35V +/-20%	1	C839	
25-KJG101-M1X	CAP. ELEC 100 UF 160V +/-20%	1	C824	
26-ABC104-ZFX	CAP. CER 0.1 UF 50V +80-20% F	1	C838A	
26-ABC104-ZFX	CAP. CER 0.1 UF 50V +80-20% F	1	C846A	
26-ABC182-KBX	CAP CER 1800 PF 50V +/-10% B	1	C810	
26-ABC681-JZX	CAP. CER 680 PF 50V +/-5% SL	1	C815	
26-AIC221-KBX	CAP. CER 220 PF 500V +/-10% B	1	C832	
26-AIC221-KBX	CAP. CER 220 PF 500V +/-10% B	1	C833	
26-AIM103-KBX	CAP. CER 0.01UF 500V +/-10% B	1	C807	
26-AIM103-KBX	CAP. CER 0.01UF 500V +/-10% B	1	C825A	
26-AMK221-JZX	CAP. CER 220pF 2KV +/-5% SL	1	C831	
26-AMK221-JZX	CAP. CER 220pF 2KV +/-5% SL	1	C852	
26-AMK331-JZX	CAP. CER 330 pF 2KV +/-5% SL	1	C834	
26-AMK561-KDX	CAP. CER 560 PF 2KV +/-10%	1	C817	
26-APK102-ME4	CAP. CER 1000PF 400VAC+/-20% E	1	C804A	
26-APK102-ME4	CAP. CER 1000PF 400VAC+/-20% E	1	C805A	
26-APK222-ME4	CAP. CER 2200PF 400VAC+/-20% E	1	C830	
26-AQK472-ZFX	CAP. CER 4700PF 250VAC+80-20%F	1	C804	
26-AQK472-ZFX	CAP. CER 4700PF 250VAC+80-20%F	1	C805	
26-EBP103-ZFX	CAP. CER 0.01UF 50V +80/-20% F	1	C811	
26-EBP103-ZFX	CAP. CER 0.01UF 50V +80/-20% F	1	C812	
26-EBP103-ZFX	CAP. CER 0.01UF 50V +80/-20% F	1	C841	
26-EBP331-JCX	CAP. CER 330PF 50V +/-5% CH	1	C813	
26-EBP560-JCX	CAP. CER 56PF 50V +/-5%	1	C814	
27-AQT224-MVH	CAP. M.PP 0.22 UF 275VAC 20%	1	C801	
27-MBC104-J0X	CAP. M.P.E 0.1 UF 63V +/-5%	1	C844	
27-MBC224-J0X	CAP. M.P.E 0.22UF 63V +/-5%	1	C821	
27-MBC224-J0X	CAP. M.P.E 0.22UF 63V +/-5%	1	C822	
27-MHM104-K0X	CAP. METAL P.E. 0.1UF 400V 10%	1	C803	
27-PBC102-J0X	CAP. P.E 0.001UF 63V +/-5%	1	C850	
34-R101K2-1BX	COIL CHOKE 100 UH +/-10%	1	L824	
34-R101K2-1BX	COIL CHOKE 100 UH +/-10%	1	L825	
35-139730-00X	FERR. BEAD BF60	2		FOR L801

Item No.	Description	Quantity Req.	Designator	Remarks
35-139730-00X	FERR. BEAD BF60	2		FOR D832
35-237250-00X	FERR. BEAD HF70 4.5X5.0	2		FOR D831
35-237250-00X	FERR. BEAD HF70 4.5X5.0	2		FOR D833
36-LIF022-AX0	LINE FILTER	1	T801	
41-WJ0060-B00	WIRE BARE JUMPER 6mm	1	J823	
41-WJ0060-B00	WIRE BARE JUMPER 6mm	1	J824	
41-WJ0060-B00	WIRE BARE JUMPER 6mm	1	J830	
41-WJ0065-B00	WIRE BARE JUMPER 6.5MM	1	J809	
41-WJ0075-B00	WIRE BARE JUMPER 7.5MM	1	J822	
41-WJ0085-B00	WIRE BARE JUMPER 8.5MM	1	J802A	
41-WJ0105-B00	WIRE BARE JUMPER 10.5MM	1	J814	
41-WJ0110-B00	WIRE BARE JUMPER 11MM	1	J815	
41-WJ0110-B00	WIRE BARE JUMPER 11MM	1	J817	
41-WJ0125-B00	WIRE BARE JUMPER 12.5MM	1	J811	
41-WJ0125-B00	WIRE BARE JUMPER 12.5MM	1	J812	
41-WJ0125-B00	WIRE BARE JUMPER 12.5MM	1	J819	
41-WJ0135-B00	WIRE BARE JUMPER 13.5MM	1	J805	
41-WJ0150-B00	WIRE BARE JUMPER 15MM	1	J807	
41-WJ0150-B00	WIRE BARE JUMPER 15MM	1	J820	
41-WJ0150-B00	WIRE BARE JUMPER 15MM	1	L801	
41-WJ0175-B00	WIRE BARE JUMPER 17.5MM	1	J808	
41-WJ0175-B00	WIRE BARE JUMPER 17.5MM	1	J813	
41-WJ0175-B00	WIRE BARE JUMPER 17.5MM	1	J816	
41-WJ0180-B00	WIRE BARE JUMPER 18MM	1	J806	
41-WJ0195-B00	WIRE BARE JUMPER 19.5MM	1	J810	
46-10962W-02X	PIN BASE *2 TJC2-2A	1		P803 FOR DEGAUSSING COIL
64-P30060-104	M/C SCREW 3 X 6 (ZINC)	2		FOR IC804 & IC805
64-P30080-104	M/C SCREW P 3 X 8	1		FOR Q801
66-20516X-0B0	FUSE HOLDER	2		FOR F801
66-343730-0B0	HOLLOW RIVET 1.6X3.0XL3.2	3		FOR T801(1,2,3)
66-343730-0B0	HOLLOW RIVET 1.6X3.0XL3.2	2		FOR C835(1,2)
66-343730-0B0	HOLLOW RIVET 1.6X3.0XL3.2	4		FOR DB801
66-343730-0B0	HOLLOW RIVET 1.6X3.0XL3.2	2		FOR C801(1,2)
66-343730-0B0	HOLLOW RIVET 1.6X3.0XL3.2	2		FOR D832
66-343730-0B0	HOLLOW RIVET 1.6X3.0XL3.2	2		FOR L824

Item No.	Description	Quantity Req.	Designator	Remarks
66-343730-0B0	HOLLOW RIVET 1.6X3.0XL3.2	3		FOR RT801
66-343730-0B0	HOLLOW RIVET 1.6X3.0XL3.2	6		FOR T803(1,9,7,10,12,18)
66-382330-0B7	RIVET 2.0X3.7X3.5	2		FOR IC804
66-382330-0B7	RIVET 2.0X3.7X3.5	2		FOR P803
66-382330-0B7	RIVET 2.0X3.7X3.5	2		FOR IC805
66-382330-0B7	RIVET 2.0X3.7X3.5	2		FOR C806
67-H27292-3A0	HEAT SINK	1		FOR IC805
67-H27292-5A0	HEAT SINK	1		FOR IC804
67-H35984-2A0	HEAT SINK	1		FOR Q801
71-DYP000-WX1	LABEL	1		
36-TRF127-AX2	TRANSFORMER CONV. BCK-4922	1	T803	
26-EBP104-ZFX	CAP. CER 0.1UF 50V +80%/-20%	1	C839A	
26-EBP103-ZFX	CAP. CER 0.01UF 50V +80/-20% F	1	C816A	
27-AQQ683-K0X	CAP. M.PP 0.068 UF 250VAC +/-10%	1	C851	
25-BDB101-M1X	CAP. ELEC 100 UF 25V +/-20%	1	C816	
18-CD0470-JNX	RES. C.F. 47 OHM 1/4W +/-5%	1	R808A	
22-PTC909-3A5	PTC 9 OHM	1	RT801	
10-D3SB60-H7X	DIODE D3SB60 (BRIDGE RECT.)	1	DB801	
08-2918S6-CFY	ASS'Y - COMB FILTER PARTS	1		
11-2SK362-YBX	FET 2SK362-Y (N-CHANNEL)	1	Q1213	
11-2SK362-YBX	FET 2SK362-Y (N-CHANNEL)	1	Q1214	
11-SA1015-YBX	TRANSISTOR 2SA1015Y	1	Q1218	
11-SA1015-YBX	TRANSISTOR 2SA1015Y	1	Q1215	
11-SA1015-YBX	TRANSISTOR 2SA1015Y	1	Q1211	
11-SA1015-YBX	TRANSISTOR 2SA1015Y	1	Q1202	
11-SC1815-YBX	TRANSISTOR 2SC1815Y	1	Q1212	
11-SC1815-YBX	TRANSISTOR 2SC1815Y	1	Q1201	
11-SC1815-YBX	TRANSISTOR 2SC1815Y	1	Q1203	
13-TC90A4-90P	IC TC90A49P	1	IC1201	
18-CB0101-JNX	RES. C.F. 100 OHM 1/6W +/-5%	1	R1228	
18-CB0101-JNX	RES. C.F. 100 OHM 1/6W +/-5%	1	R1220	
18-CB0101-JNX	RES. C.F. 100 OHM 1/6W +/-5%	1	R1237	
18-CB0101-JNX	RES. C.F. 100 OHM 1/6W +/-5%	1	R1211	
18-CB0101-JNX	RES. C.F. 100 OHM 1/6W +/-5%	1	R1212	
18-CB0102-JNX	RES. C.F. 1K OHM 1/6W +/-5%	1	R1229	

Item No.	Description	Quantity Req.	Designator	Remarks
18-CB0102-JNX	RES. C.F. 1K OHM 1/6W +/-5%	1	R1221	
18-CB0103-JNX	RES. C.F. 10K OHM 1/6W +/-5%	1	R1236	
18-CB0103-JNX	RES. C.F. 10K OHM 1/6W +/-5%	1	R1215	
18-CB0103-JNX	RES. C.F. 10K OHM 1/6W +/-5%	1	R1216	
18-CB0103-JNX	RES. C.F. 10K OHM 1/6W +/-5%	1	R1218	
18-CB0122-JNX	RES. C.F. 1.2k OHM 1/6W +/-5%	1	R1202	
18-CB0122-JNX	RES. C.F. 1.2k OHM 1/6W +/-5%	1	R1208	
18-CB0123-JNX	RES. C.F. 12k OHM 1/6W +/-5%	1	R1204	
18-CB0223-JNX	RES. C.F. 22k OHM 1/6W +/-5%	1	R1217	
18-CB0223-JNX	RES. C.F. 22k OHM 1/6W +/-5%	1	R1219	
18-CB0223-JNX	RES. C.F. 22k OHM 1/6W +/-5%	1	R1233	
18-CB0223-JNX	RES. C.F. 22k OHM 1/6W +/-5%	1	R1234	
18-CB0472-JNX	RES. C.F. 4.7k OHM 1/6W +/-5%	1	R1232	
18-CB0561-JNX	RES. C.F. 560 OHM 1/6W +/-5%	1	R1205	
18-CB0561-JNX	RES. C.F. 560 OHM 1/6W +/-5%	1	R1206	
18-CB0561-JNX	RES. C.F. 560 OHM 1/6W +/-5%	1	R1207	
18-CB0682-JNX	RES. C.F. 6.8K OHM 1/6W +/-5%	1	R1203	
18-CB0821-JNX	RES. C.F. 820 OHM 1/6W +/-5%	1	R1213	
18-CB0821-JNX	RES. C.F. 820 OHM 1/6W +/-5%	1	R1201	
18-CB0821-JNX	RES. C.F. 820 OHM 1/6W +/-5%	1	R1209	
25-BCB470-M1X	CAP. ELEC 47 UF 16V +/-20%	1	C1212	
25-BCB470-M1X	CAP. ELEC 47 UF 16V +/-20%	1	C1217	
25-BCB470-M1X	CAP. ELEC 47 UF 16V +/-20%	1	C1219	
25-BCB470-M1X	CAP. ELEC 47 UF 16V +/-20%	1	C1224	
25-BCB470-M1X	CAP. ELEC 47 UF 16V +/-20%	1	C1204	
25-BCB470-M1X	CAP. ELEC 47 UF 16V +/-20%	1	C1206	
26-ABC104-ZFX	CAP. CER 0.1 UF 50V +80-20% F	1	C1225	
26-ABC104-ZFX	CAP. CER 0.1 UF 50V +80-20% F	1	C1216	
26-ABC104-ZFX	CAP. CER 0.1 UF 50V +80-20% F	1	C1211	
26-ABC104-ZFX	CAP. CER 0.1 UF 50V +80-20% F	1	C1218	
26-EBP100-JCX	CAP. CER 10PF 50V +/-5% CH	1	C1220	
26-EBP102-KBX	CAP. CER 1000 PF 50V +/-10% B	1	C1233	
26-EBP103-ZFX	CAP. CER 0.01UF 50V +80/-20% F	1	C1230	
26-EBP103-ZFX	CAP. CER 0.01UF 50V +80/-20% F	1	C1229	
26-EBP103-ZFX	CAP. CER 0.01UF 50V +80/-20% F	1	C1213	

Item No.	Description	Quantity Req.	Designator	Remarks
26-EBP103-ZFX	CAP. CER 0.01UF 50V +80/-20% F	1	C1214	
26-EBP103-ZFX	CAP. CER 0.01UF 50V +80/-20% F	1	C1215	
26-EBP103-ZFX	CAP. CER 0.01UF 50V +80/-20% F	1	C1223	
26-EBP104-ZFX	CAP. CER 0.1UF 50V +80%/-20%	1	C1205	
26-EBP120-JCX	CAP. CER 12PF 50V +/-5% CH	1	C1202	
26-EBP122-KBX	CAP. CER 1200pF 50V +/-10%	1	C1221	
26-EBP150-JCX	CAP. CER 15PF 50V +/-5% CH	1	C1203	
26-EBP181-JCX	CAP. CER 180PF 50V +/-5% CH	1	C1222	
26-EBP220-JCX	CAP. CER 22PF 50V +/-5% CH	1	C1201	
26-EBP330-JCX	CAP. CER 33PF 50V +/-5% CH	1	C1234	
26-EBP330-JCX	CAP. CER 33PF 50V +/-5% CH	1	C1235	
26-EBP470-JCX	CAP. CER 47PF 50V +/-5% CH	1	C1231	
34-A608K6-1BX	COIL CHOKE 0.6 UH +/-10%	1	L1216	
34-R100J2-OEX	COIL PL - 10 UH +/-5%	1	L1213	
34-R100J2-OEX	COIL PL - 10 UH +/-5%	1	L1212	
34-R100J2-OEX	COIL PL - 10 UH +/-5%	1	L1214	
34-R100J2-OEX	COIL PL - 10 UH +/-5%	1	L1215	
34-R100J2-OEX	COIL PL - 10 UH +/-5%	1	L1211	
34-R100J2-OEX	COIL PL - 10 UH +/-5%	1	L1217	
34-R100J2-OEX	COIL PL - 10 UH +/-5%	1	L1201	
41-WJ0060-B00	WIRE BARE JUMPER 6mm	1	J1211	
41-WJ0060-B00	WIRE BARE JUMPER 6mm	1	J1213	
41-WJ0060-B00	WIRE BARE JUMPER 6mm	1	J1210	
41-WJ0060-B00	WIRE BARE JUMPER 6mm	1	J1212	
41-WJ0080-B00	WIRE BARE JUMPER 8 MM	1	J1216	
41-WJ0085-B00	WIRE BARE JUMPER 8.5MM	1	J1215	
41-WJ0090-B00	WIRE BARE JUMPER 9MM	1	J1214	
46-21550W-12X	HEADER *12 TS12B-SQ-1 L=10MM	1		P1202 FOR M. BD S1202
67-257870-2T0	BRACKET IF BD	1		FOR M. BD
40-3418ME-CBF1X	P.C.B. CB BD	1		
27-MBC474-J0X	CAP. M.P.E 0.47UF 63V +/-5%	1	C1236	
08-2918S6-MSY	ASS'Y - AMERICAM STEREO PARTS	1		
11-SC1815-YBX	TRANSISTOR 2SC1815Y	1	Q1003	
18-CB0101-JNX	RES. C.F. 100 OHM 1/6W +/-5%	1	R1001	
18-CB0101-JNX	RES. C.F. 100 OHM 1/6W +/-5%	1	R1002	

Item No.	Description	Quantity Req.	Designator	Remarks
18-CB0102-JNX	RES. C.F. 1K OHM 1/6W +/-5%	1	R1022	
18-CB0102-JNX	RES. C.F. 1K OHM 1/6W +/-5%	1	R1023	
18-CB0104-JNX	RES. C.F. 100K OHM 1/6W +/-5%	1	R1004	
18-CB0152-JNX	RES. C.F. 1.5k OHM 1/6W +/-5%	1	R1007	
18-CB0332-JNX	RES. C.F. 3.3k OHM 1/6W +/-5%	1	R1005	
18-CB0470-JNX	RES. C.F. 47 OHM 1/6W +/-5%	1	R1006	
25-BCB100-M1X	CAP. ELEC 10 UF 16V +/-20%	1	C1009	
25-BCB100-M1X	CAP. ELEC 10 UF 16V +/-20%	1	C1013	
25-BCB100-M1X	CAP. ELEC 10 UF 16V +/-20%	1	C1014	
25-BCB100-M1X	CAP. ELEC 10 UF 16V +/-20%	1	C1015	
25-BCB100-M1X	CAP. ELEC 10 UF 16V +/-20%	1	C1016	
25-BCB470-M1X	CAP. ELEC 47 UF 16V +/-20%	1	C1019	
25-BFB339-M1X	CAP. ELEC 3.3 UF 50V +/-20%	1	C1010	
26-ABC339-CZX	CAP. CER 3.3 PF 50V +/-0.25 SL	1	C1001	
26-ABC339-CZX	CAP. CER 3.3 PF 50V +/-0.25 SL	1	C1002	
26-EBP103-ZFX	CAP. CER 0.01UF 50V +80/-20% F	1	C1031	
26-EBP103-ZFX	CAP. CER 0.01UF 50V +80/-20% F	1	C1034	
26-EBP103-ZFX	CAP. CER 0.01UF 50V +80/-20% F	1	C1037	
26-EBP103-ZFX	CAP. CER 0.01UF 50V +80/-20% F	1	C1038	
26-EBP152-KBX	CAP. CER 1500pF 50V +/-10% B	1	C1012	
26-EBP220-JCX	CAP. CER 22PF 50V +/-5% CH	1	C1035	
26-EBP220-JCX	CAP. CER 22PF 50V +/-5% CH	1	C1036	
26-EBP471-JCX	CAP. CER 470PF 50V +/-5% CH	1	C1025	
26-EBP560-JZX	CAP. CER 56PF 50V +/-5% SL TUBE	1	C1004	
26-EBP560-JZX	CAP. CER 56PF 50V +/-5% SL TUBE	1	C1005	
27-MBC104-J0X	CAP. M.P.E 0.1 UF 63V +/-5%	1	C1006	
27-MBC104-J0X	CAP. M.P.E 0.1 UF 63V +/-5%	1	C1008	
27-MBC104-J0X	CAP. M.P.E 0.1 UF 63V +/-5%	1	C1011	
27-MBC104-J0X	CAP. M.P.E 0.1 UF 63V +/-5%	1	C1018	
27-MBC104-J0X	CAP. M.P.E 0.1 UF 63V +/-5%	1	C1023	
27-MBC104-J0X	CAP. M.P.E 0.1 UF 63V +/-5%	1	C1024	
27-MBC474-J0X	CAP. M.P.E 0.47UF 63V +/-5%	1	C1017	
45-OSC18M-4Y0	CRYSTAL 18.432M	1	X1001	
10-1N4148-ABX	DIODE 1N4148 (SWITCHING)	1		'+'TO Q918'C'、 '-'TO Q919'B'
10-1N4148-ABX	DIODE 1N4148 (SWITCHING)	1		R1011, '+'TO IC1001 PIN4

Item No.	Description	Quantity Req.	Designator	Remarks
13-MSP342-5GB	IC MSP 3425G	1	IC1001	
34-A220K0-1IX	COIL PL - 22UH +/-10% LGA0305-220K	1	J1005	
41-WJ0150-B00	WIRE BARE JUMPER 15MM	1	J1001	
41-WJ0175-B00	WIRE BARE JUMPER 17.5MM	1	J1004	
41-WJ0085-B00	WIRE BARE JUMPER 8.5MM	1	J1006	
41-WJ0075-B00	WIRE BARE JUMPER 7.5MM	1	J1009	
41-WJ0080-B00	WIRE BARE JUMPER 8 MM	1	J1010	
34-A220K0-1IX	COIL PL - 22UH +/-10% LGA0305-220K	1	L1001	
41-WJ0125-B00	WIRE BARE JUMPER 12.5MM	1	J1007	
41-WJ0065-B00	WIRE BARE JUMPER 6.5MM	1	J1008	
41-WJ0075-B00	WIRE BARE JUMPER 7.5MM	1	J1002	
08-2918S6-YUY	ASS'Y - YUV PARTS	1		
18-CB0101-JNX	RES. C.F. 100 OHM 1/6W +/-5%	1	R242	
18-CB0101-JNX	RES. C.F. 100 OHM 1/6W +/-5%	1	R243	
18-CB0820-JNX	RES. C.F. 82 OHM 1/6W +/-5%	1	R914	
18-CB0820-JNX	RES. C.F. 82 OHM 1/6W +/-5%	1	R915	
47-RCA089-XX0	RCA SOCKET AV-3.2-3LK-N2	1	P904	
08-2927S6-AG0	ASS'Y - AG PACKING PARTS	1		
75-2927LL-CC0	POLYFOAM "LL"	0		
75-2927LR-CC0	POLYFOAM (LR)	0		
75-2927UL-CC0	POLYFOAM "UL"	0		
75-2927UR-CC0	POLYFOAM "UR"	0		
76-A2927U-0AT	CARTON BOX	0		
08-2927S6-CRY	ASS'Y - CRT BD	1		
10-1N4148-ABX	DIODE 1N4148 (SWITCHING)	1	D501	
10-1N4148-ABX	DIODE 1N4148 (SWITCHING)	1		L501 FOR "+" TO P1/P503
10-1N4148-ABX	DIODE 1N4148 (SWITCHING)	1	D502	
11-A562TM-0BX	TRANSISTOR 2SA562TM-0	1	Q507	
11-SC1815-YBX	TRANSISTOR 2SC1815Y	1	Q502	
11-SC1815-YBX	TRANSISTOR 2SC1815Y	1	Q504	
11-SC1815-YBX	TRANSISTOR 2SC1815Y	1	Q506	
11-SC4544-0AX	TRANSISTOR 2SC4544	1	Q501	
11-SC4544-0AX	TRANSISTOR 2SC4544	1	Q503	
11-SC4544-0AX	TRANSISTOR 2SC4544	1	Q505	
18-CB0102-JNX	RES. C.F. 1K OHM 1/6W +/-5%	1	R515	

Item No.	Description	Quantity Req.	Designator	Remarks
18-CB0272-JNX	RES. C.F. 2.7k OHM 1/6W +/-5%	1	R514	
18-CB0561-JNX	RES. C.F. 560 OHM 1/6W +/-5%	1	R501	
18-CB0561-JNX	RES. C.F. 560 OHM 1/6W +/-5%	1	R505	
18-CB0561-JNX	RES. C.F. 560 OHM 1/6W +/-5%	1	R510	
18-CB0681-JNX	RES. C.F. 680 OHM 1/6W +/-5%	1	R502	
18-CB0681-JNX	RES. C.F. 680 OHM 1/6W +/-5%	1	R506	
18-CB0681-JNX	RES. C.F. 680 OHM 1/6W +/-5%	1	R509	
18-CB0681-JNX	RES. C.F. 680 OHM 1/6W +/-5%	1	R522	
18-CB0681-JNX	RES. C.F. 680 OHM 1/6W +/-5%	1	R503	
18-CB0681-JNX	RES. C.F. 680 OHM 1/6W +/-5%	1	R508	
18-CB0681-JNX	RES. C.F. 680 OHM 1/6W +/-5%	1	R513	
18-CB0681-JNX	RES. C.F. 680 OHM 1/6W +/-5%	1	R511	
18-FE0272-JNX	RES. M.O. 2.7K OHM 1/2W +/-5%	1	R519	
18-FE0272-JNX	RES. M.O. 2.7K OHM 1/2W +/-5%	1	R520	
18-FE0272-JNX	RES. M.O. 2.7K OHM 1/2W +/-5%	1	R521	
18-FG0183-JHX	RES. M.O. 18K OHM 2W +/-5%	1	R516	
18-FG0183-JHX	RES. M.O. 18K OHM 2W +/-5%	1	R517	
18-FG0183-JHX	RES. M.O. 18K OHM 2W +/-5%	1	R518	
25-BCB471-M1X	CAP. ELEC 470 UF 16V +/-20%	1	C506	
25-BLA100-M1X	CAP. ELEC 10 UF 250V +/-20%	1	C504	
26-AMK182-KRX	CAP. CER 1800PF 2KV +/-10% R	1	C505	
26-EBP103-ZFX	CAP. CER 0.01UF 50V +80/-20% F	1	C508	
26-EBP103-ZFX	CAP. CER 0.01UF 50V +80/-20% F	1	C509	
26-EBP391-JCX	CAP. CER. 390PF 50V +/-5% CH	1	C502	
26-EBP391-JCX	CAP. CER. 390PF 50V +/-5% CH	1	C501	
26-EBP471-JCX	CAP. CER 470PF 50V +/-5% CH	1	C503	
34-R100K2-1BX	COIL CHOKE 10 UH +/-10%	1	L503	
34-R220K2-1BX	COIL CHOKE 22 UH +/-10%	1	L502	
35-237250-00X	FERR. BEAD HF70 4.5X5.0	2		FOR C508 (L505 & L506)
41-WJ0050-B00	WIRE BARE JUMPER 5MM	1	L504	
41-WJ0060-B00	WIRE BARE JUMPER 6mm	1	R504	
41-WJ0060-B00	WIRE BARE JUMPER 6mm	1	R507	
41-WJ0060-B00	WIRE BARE JUMPER 6mm	1	R512	
41-WJ0060-B00	WIRE BARE JUMPER 6mm	1	J510	
41-WJ0075-B00	WIRE BARE JUMPER 7.5MM	1	J503	

Item No.	Description	Quantity Req.	Designator	Remarks
46-10967W-01X	PIN BASE *1 TJC1-1A	1		P501 FOR CRT GROUNDING HOUS.
46-33079W-04X	PIN BASE *4 TJC3-4A	1		P502 FOR M.BD P421
46-33079W-05X	PIN BASE *5 TJC3-5A	1		P503 FOR M.BD P201
47-CRT004-XX0	CRT SOCKET GZS10-2-AC2	1	S501	
40-02501C-CR11X	P.C.B. CRT BD	1		
08-2927S6-FB1	ASS'Y - FRONT CTL BD	1		
02-IRR001-XX1	IR RECEIVER MODULE HRM380017	1	IR001	
11-C124ES-0BX	TRANSISTOR PDTC124ES (NPN)	1	Q082	
11-SA1015-YBX	TRANSISTOR 2SA1015Y	1	Q081	
14-LED05R-XX1	LED RED FB205	1	D1001	
18-CB0102-JNX	RES. C.F. 1K OHM 1/6W +/-5%	1	R090	
18-CB0103-JNX	RES. C.F. 10K OHM 1/6W +/-5%	1	R022A	
18-CB0103-JNX	RES. C.F. 10K OHM 1/6W +/-5%	1	R027B	
18-CB0152-JNX	RES. C.F. 1.5k OHM 1/6W +/-5%	1	R023A	
18-CB0182-JNX	RES. C.F. 1.8K OHM 1/6W +/-5%	1	R024A	
18-CB0223-JNX	RES. C.F. 22k OHM 1/6W +/-5%	1	R091	
18-CB0272-JNX	RES. C.F. 2.7k OHM 1/6W +/-5%	1	R025A	
18-CB0432-JNX	RES. C.F. 4.3K OHM 1/6W +/-5%	1	R026A	
18-CB0470-JNX	RES. C.F. 47 OHM 1/6W +/-5%	1	R070A	
18-CB0622-JNX	RES. C.F. 6.2k OHM 1/6W +/-5%	1	R027A	
25-BCB470-M1X	CAP. ELEC 47 UF 16V +/-20%	1	C070A	
40-2927UA-FBC	P.C.B. FRONT CTL BD	1		
41-WJ0060-B00	WIRE BARE JUMPER 6mm	1	J074	
41-WJ0060-B00	WIRE BARE JUMPER 6mm	1	J076	
41-WJ0060-B00	WIRE BARE JUMPER 6mm	1	J070	
41-WJ0060-B00	WIRE BARE JUMPER 6mm	1	J071	
41-WJ0065-B00	WIRE BARE JUMPER 6.5MM	1	R010	
41-WJ0085-B00	WIRE BARE JUMPER 8.5MM	1	J075	
46-28559W-02X	PIN BASE *2 TJC1-2A	1		P801B FOR POWER CORD
46-35035H-03X	HS 1617#22 400 TJC1-3Y &2	1		FOR F.CTL BD(P801A) & PWR PARTS
46-35038H-05X	HS 5P24 380 TJC3-5Y/SCN-5Y	1		P001B FOR M. BD P001
46-35184W-03X	PIN BASE *3 TJC1-3A	1	P801A	
48-POW007-AX0	SWITCH POWER PS5E-B	1	S801B	
48-TAC002-XX0	TACT SWITCH	1	S001A	
48-TAC002-XX0	TACT SWITCH	1	S002A	

Item No.	Description	Quantity Req.	Designator	Remarks
48-TAC002-XX0	TACT SWITCH	1	S003A	
48-TAC002-XX0	TACT SWITCH	1	S004A	
48-TAC002-XX0	TACT SWITCH	1	S005A	
48-TAC002-XX0	TACT SWITCH	1	S006A	
48-TAC002-XX0	TACT SWITCH	1	S007A	
51-DC0220-0QB01	POWER CORD	1		
62-269940-0HA	POWER SW. CONNECTIONABS-LG H121 (HB)	1		
62-313930-1HA	LED HOLDER	1		
63-P30060-BF3	S/T SCREW P 3 X 6 BF(BLACK)	5		MTG F. CTL BD & M. BD BKT
66-382330-0B7	RIVET 2.0X3.7X3.5	4		FOR S801B
08-2927S6-FC3	ASS'Y - FRONT CABINET	1		
02-GND029-XX0	ASS"Y-CRT GND WIRE & HOUS.(29)	1		
36-DEG290-XX2	DEGAUSSING COIL 3100MM	1		
42-81608F-XX0	SPEAKER (80MMX160MM) 8 OHM 8W	1	SP601	
42-81608F-XX0	SPEAKER (80MMX160MM) 8 OHM 8W	1	SP602	
44-29NFLS-YX3A	CRT 73SX707Y22-DC01(AFSA)	1	CRT01	
46-14026H-02X	HS 2P 2468#22 570mm S11-2Y/7mm	1		P601H FOR M. BD P601
46-26514H-04X	HS 4P A/B 500/13 RBGW TJC1-4Y	1		P411H FOR D.Y COIL
46-27580H-02X	HS 2P22 600/7 TJC3-2Y	1		P602H FOR M. BD P602
54-113970-0U0	PVC TUBE #5 L=ROLL	0.32		FOR SPK HOUSING
54-114000-00X	FELT TAPE (150mmX19mmX0.3mm)	9		
54-205140-000	SPACER CRT MOUNTING T=2MM	4		MTG. CRT TO F.CAB
54-310140-000	SPONGE 50 X 20MM (BKK)	2		
54-314740-0X0	CRT FIBRE SHEET (22mmX22mmX0.8mm)	4		
55-2927FC-1CN	FRONT CABINET	1		
56-2927FB-1HA	PUSH BUTTON	1		
56-2927LE-0HC	LED ADAPTOR	1		
56-2927PK-1HA	POWER KNOB	1		
57-10654X-00F	cable ties□(2.5mmX95mm)	13		
58-2927SI-2UI	INLAY SIDE AV	1		
59-130460-00X	RUBBER PAD (25mmX7mm)	4		FOR CRT & SPK
59-130460-00X	RUBBER PAD (25mmX7mm)	2		STICK ON F. CAB.(FOOTING)
59-312160-000	SPEAKER RUBBER CUSHION	8		
62-216340-0UN	HOLDER POWER CORD HIPS-KINGFA 113(VO)	1		
63-B30080-BT4	S/T SCREW B 3 X 8 BT	2		MTG SIDE AV BD & FRONT CAB.

Item No.	Description	Quantity Req.	Designator	Remarks
63-W30100-AB4	S/T SCREW W 3 X 10 AB	1		MTG LENS & FRONT CAB.
63-W30100-AB4	S/T SCREW W 3 X 10 AB	3		MTG PUSH BUTTON & FRONT CAB.
63-W30140-HS4	S/T SCREW W 3 X 14 HS	8		MTG SPK & FRONT CAB.
63-Z60300-AB4	S/T SCREW HA 6X30	4		MTG CRT & FRONT CAB.
67-X21679-0E0	SPRING CRT 6mmX50mmX0.6mm	2		
67-X24283-0E0	SPING POWER KNOB	1		
08-2927S6-OT3	ASS'Y - OTHER PARTS	1		
07-457FF5-NX7	ALPS FS TUNER TEDH9-249A	1	TU101	
11-DD1556-0AX	TRANSISTOR 3DD1556	1	Q411	
13-A16V02-TOP	IC 8829KRNG	1	IC101	
13-TDA894-4JS	IC TDA8944J	1	IC602	
18-CB0101-JNX	RES. C.F. 100 OHM 1/6W +/-5%	1	R1010	
18-CB0103-JNX	RES. C.F. 10K OHM 1/6W +/-5%	1	R001	
18-CB0153-JNX	RES. C.F. 15k OHM 1/6W +/-5%	1	R413	
18-CB0183-JNX	RES. C.F. 18k OHM 1/6W +/-5%	1	R612	
18-CB0183-JNX	RES. C.F. 18k OHM 1/6W +/-5%	1	R615	
18-CB0472-JNX	RES. C.F. 4.7k OHM 1/6W +/-5%	1	R416	
18-CB0472-JNX	RES. C.F. 4.7k OHM 1/6W +/-5%	1	C212	
18-CB0473-JNX	RES. C.F. 47K OHM 1/6W +/-5%	1	R414	
18-CB0562-JNX	RES. C.F. 5.6k OHM 1/6W +/-5%	1	R315	
18-CB0682-JNX	RES. C.F. 6.8K OHM 1/6W +/-5%	1	R432	
18-CB0820-JNX	RES. C.F. 82 OHM 1/6W +/-5%	1	R901	
18-CE0103-JNX	RES. C.F. 10k OHM 1/2W +/-5%	1	R316	
18-EG0109-JHX	RES. FUS. 1 OHM 2W +/-5%	1	R431	
18-EG0109-JHX	RES. FUS. 1 OHM 2W +/-5%	1	R433	
18-EG0479-JHX	RES. FUS. 4.7 OHM 2W +/-5%	1	R461	
18-FF0181-JGX	RES. M.O. 180 OHM 1W +/-5%	1	R309	
18-RF0688-JGX	RES. WIRE ROUND 0.68 OHM 1W +/-5%	1	R304	
18-RG0159-JHX	RES. WIRE ROUND 1.5 OHM 2W +/-5%	1	R313	
25-BCB220-M1X	CAP. ELEC 22 UF 16V +/-20%	1	C304	
25-BCB330-M1X	CAP. ELEC 33 UF 16V +/-20%	1	C235	
25-BCB331-M1X	CAP. ELEC 330 UF 16V +/-20%	1	C245	
25-BCB331-M1X	CAP. ELEC 330 UF 16V +/-20%	1	C210	
25-BMJ391-M1X	CAP. ELEC 390 UF 400V +/-20%	1	C806	
26-EBP102-KBX	CAP. CER 1000 PF 50V +/-10% B	1	C306	

Item No.	Description	Quantity Req.	Designator	Remarks
26-EBP103-ZFX	CAP. CER 0.01UF 50V +80/-20% F	1	C902	
26-EBP103-ZFX	CAP. CER 0.01UF 50V +80/-20% F	1	C1033	
27-AGR434-JSX	CAP. M.PP 0.43UF 250V +/-5%	1	C419	
27-ALQ662-J0X	CAP. M.PP 6600PF 1.6KV +/-5%	1	C412	
27-ALR332-J0X	CAP. M.PP 3300 PF 1.6KV +/-5%	1	C411	
27-ALR722-J0X	CAP. M.PP 7200 PF 1.6KV +/-5%	1	C414	
27-MBC224-J0X	CAP. M.P.E 0.22UF 63V +/-5%	1	C309	
27-MBC682-J0X	CAP. M.P.E 0.0068UF 63V +/-5%	1	C311	
27-PBC102-J0X	CAP. P.E 0.001UF 63V +/-5%	1	C637	
27-PBC102-J0X	CAP. P.E 0.001UF 63V +/-5%	1	C640	
27-PBC154-J0X	CAP. P.E. 0.15 UF 63V +/-5%	1	C636	
27-PBC154-J0X	CAP. P.E. 0.15 UF 63V +/-5%	1	C639	
27-RHQ223-J0X	CAP. PP 0.022 UF 400V +/-5%	1	C413	
36-LIN210-XX1	COIL LINEARITY 21 UH	1	L414	
36-WID801-XX1	COIL WIDTH 800 UH	1	L413	
37-FCA001-EAA0C	FBT JF0501-21130	1	T402	
41-WJ0060-B00	WIRE BARE JUMPER 6mm	1	J310	
41-WJ0065-B00	WIRE BARE JUMPER 6.5MM	1	J207	
41-WJ0065-B00	WIRE BARE JUMPER 6.5MM	1	J210	
41-WJ0075-B00	WIRE BARE JUMPER 7.5MM	1	J405	
41-WJ0100-B00	WIRE BARE JUMPER 10MM	1	J803	
41-WJ0100-B00	WIRE BARE JUMPER 10MM	1	J804	
41-WJ0110-B00	WIRE BARE JUMPER 11MM	1	J016	
41-WJ0160-B00	WIRE BARE JUMPER 16MM	1	J209	
45-FIL4M5-0Y1	CERAMIC FILTER SFSH4.5MDB	1	X202	
45-SAWF18-590	SAW FILTER F1859	1	Z101	
46-12866W-02X	PIN BASE *2 S11-02Y	1		P601 FOR FRONT CAB.(SPK)
46-33079W-02X	PIN BASE *2 TJC3-2A	1		P602 FOR FRONT CAB.(SPK)
46-33079W-05X	PIN BASE *5 TJC3-5A	1		P001 FOR F. CTL BD
46-33079W-07X	PIN BASE *7 TJC3-7A	1		P911 FOR SIDE AV BD
46-35184W-03X	PIN BASE *3 TJC1-3A	1	P801	
47-RCA023-XX1	RCA JACK 3PV YEL WHI RED/SW	1	P905	
47-RCA023-XX1	RCA JACK 3PV YEL WHI RED/SW	1	P903	
50-03150D-1GS1	FUSE 3.15AT 250VAC 5mmX20mm	1	F801	
62-2927MB-3UN	MAIN BD BRACKET	1		

Item No.	Description	Quantity Req.	Designator	Remarks
63-W30100-AB4	S/T SCREW W 3 X 10 AB	8		MTG M.BD & M.BD BKT
66-382330-0B7	RIVET 2.0X3.7X3.5	3		FOR P801
08-2927S6-PA2	ASS'Y - PACKING PARTS	1		
49-382550-BAT	BATTERY R06P AA 1.5V 5#	2		
72-2927S6-E49	OPERATION MANUAL	1		
74-010050-40C	POLYBAG FOR POWER (10CMX50CM)	1		
74-022032-6WE	POLYBAG (23cmX34cmX0.06mm)	1		
74-130130-80HAA	POLYBAG W/SUFFOCATION WARNING	1		
08-2927S6-RC1	ASS'Y - REAR CABINET	1		
54-114000-00X	FELT TAPE (150mmX19mmX0.3mm)	10		STICK ON REAR CAB.
55-2975RC-1CN	REAR CABINET	1		
58-2927MP-0UI	PLATE MODEL NO.	1		
58-2927RI-CUI	INLAY REAR AV	1		
59-130460-00X	RUBBER PAD (25mmX7mm)	2		FOR REAR CAB. BUTTOM
63-B40200-AB3	S/T SCREW B 4 X 20 AB	11		MTG FRONT & REAR CAB.
63-F30100-BT3	S/T SCREW F 3 X 10 BT (BLACK)	3		MTG RCA JACK & REAR CABINET
08-2927S6-SIY	ASS'Y - SIDE AV BD	1		
40-2927MT-SIB	P.C.B. SIDE AV BD	1		
41-WJ0025-B00	WIRE BARE JUMPER 2.5mm	1		FOR P8 - P9 OF IC951
41-WJ0025-B00	WIRE BARE JUMPER 2.5mm	1		FOR P10 - P11 OF IC951
41-WJ0050-B00	WIRE BARE JUMPER 5MM	1		FOR Q962(B - E)
41-WJ0050-B00	WIRE BARE JUMPER 5MM	1	C961	
41-WJ0050-B00	WIRE BARE JUMPER 5MM	1	C954	
41-WJ0050-B00	WIRE BARE JUMPER 5MM	1	C955	
41-WJ0060-B00	WIRE BARE JUMPER 6mm	1	C951	
41-WJ0060-B00	WIRE BARE JUMPER 6mm	1	R953	
41-WJ0065-B00	WIRE BARE JUMPER 6.5MM	1	R952	
41-WJ0065-B00	WIRE BARE JUMPER 6.5MM	1	J951	
41-WJ0065-B00	WIRE BARE JUMPER 6.5MM	1	C962	
41-WJ0065-B00	WIRE BARE JUMPER 6.5MM	1	R955	
41-WJ0065-B00	WIRE BARE JUMPER 6.5MM	1	R956	
41-WJ0065-B00	WIRE BARE JUMPER 6.5MM	1	J957	
41-WJ0065-B00	WIRE BARE JUMPER 6.5MM	1	R965	
41-WJ0070-B00	WIRE BARE JUMPER 7MM	1	J952	
41-WJ0085-B00	WIRE BARE JUMPER 8.5MM	1	R966	

Item No.	Description	Quantity Req.	Designator	Remarks
46-38610H-07X	HS 7P 600 TJC3-7Y/SCN-7Y	1		P902 FOR M.BD P911
47-RCA041-XX0	JACK RCA 3PH H=8MM YL WH RD/SW	1	P951	
47-SVI002-XX0	Y/C SOCKET VERTICAL TYPE	1	P961	
08-HS46F0-M134	ASS'Y - REMOTE HANDSET BD	1		
11-0BC337-0BX	TRANSISTOR (NPN) BC337-40	1	Q1501	
13-00AS12-13B	IC AS1213B	1	IC1501	
14-IRE05B-XX0	IR EMITTING DIODE TSAL6200	1	D1501	
18-CB0221-JNX	RES. C.F. 220 OHM 1/6W +/-5%	1	R1503	
18-CB0229-JNX	RES. C.F. 2.2 OHM 1/6W +/-5%	1	R1501	
25-BCB101-M1X	CAP. ELEC 100 UF 16V +/-20%	1	C1504	
26-EBP101-JCX	CAP. CER 100PF 50V +/-5% CH	1	C1501	
26-EBP101-JCX	CAP. CER 100PF 50V +/-5% CH	1	C1502	
26-EBP104-ZFX	CAP. CER 0.1UF 50V +80%/-20%	1	C1503	
40-UOCASF-RMA	P.C.B. REMOTE HANDSET BD	1		
45-COS455-KY1	CERAMIC RESONATOR 455KHz	1	X1501	
49-HS46F0-00X	RUBBER PAD KEYS	1		
55-HS46FB-0HA	CASE LOWER - REMOTE HANDSET	1		
55-HS46FD-0HA	DOOR BATT. - REMOTE HANDSET	1		
55-HS46FT-0HA	CASE UPPER - REMOTE HANDSET	1		
58-HS46F3-JUI	INLAY REMOTE HANDSET	1		
63-B26060-BT2	S/T SCREW B 2.6 X 6 BT	1		
67-X26968-0E2	BATT. TERMINAL (+/-)	1		
67-X31028-0E2	SPRING - BATTERY (-)	1		
67-X31029-0E2	SPRING - BATTERY (+)	1		
74-009022-60C	POLYBAG HANDSET (9CMX22CM)	1		
08-HS46F0-PAY	ASS'Y - PACKING OF IR HANDSET	1		
76-002091-0AT	CARTON BOX LWH 624X384X556MM	0.0031		
76-326350-01A	CARTON SHEET 61X37X0.3CM	0.062		

M134 Alignment Procedures

A. Enter Factory Mode:

Simply press the "SERVICE" key on the factory remote handset.

Press "1, 2, 3, 4, 5, 6, 7, 8, 9, 0, NOTEBOOK,CAPS, DISPLAY ,SLEEP, CALENDAR ,COLOR/INS, FAVORITE,RECALL" , you can switch in the sub-menus of "FAC01~FAC18" in turns.

Press "P+" " P-" to choose the items.

Press "V+" " V-" to adjust the data.

Press "OK" and "P+" " P-" to switch in the sub-menus of "FAC19~FAC23" .

Exit Factory Mode:

Press the "SERVICE" key on the factory remote handset. All changes in factory data will be saved in EEPROM automatically.

Some special modes:

- | | |
|-------------------------------|--|
| Aging Mode | — Be used for aging before adjustment in Factory Mode. |
| Vertical doesn't Work | — Be used for Screen & Focus voltage adjustment. In Factory Mode, press "TV/AV" to enter and exit. |
| White balance adjustment Mode | — Be used for White balance adjustment. In Factory Mode, press "BUS OFF" to enter and exit. |
| Default Value OK mode | — Be used for default value setting before TV leaves Factory. In Factory Mode, press "S. EFFECT" to enter default value. "Wait" will be displayed in screen, when it is finished, "OK" will be displayed. It will exit factory mode automatically. |

Note: Now press "SERVICE" cannot enter factory mode, you have to take the following steps to enter:

1. Setting Volume to Zero.
2. Press "V-" in cabinet and Press "Display" in RC simultaneously.

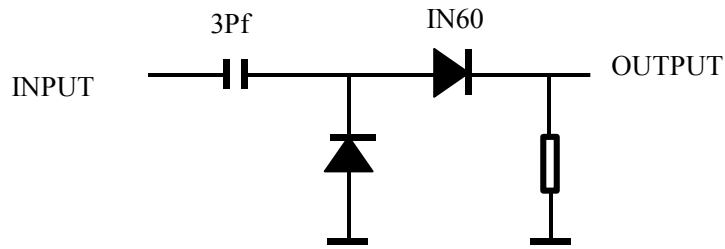
B. Adjustment Way

1. B+ Adjustment:

Apply Philips Test pattern signal in normal status, adjusting VR821 to make $B+ = 130V \pm 0.5V$.

2. RF AGC adjustment:

Observe monitor the collector waveform of Q101 with the probe of Oscilloscope as illustration below. Select channel 2 (>70dB) from the antenna input. Enter D-mode, select menu6 to adjust RFAGC item until the monitor peak value to 0.8Vp-p.



3. Sound Amplifier Adjustment:

- 1) Apply 45.75 IF signal which is >60dB from P1101
- 2) Adjusting T1101 to make the voltage of Pin 15 in IC1101 is $2.5 \pm 0.05V$.

4. Screen & Focus voltage adjustment:

- 1) Apply pattern signal in normal status, enter D-mode, press "TV/AV" button to turn off the vertical output. (Note: The default value of RC/GC/BC is 80, and GD/BD is 40)
- 2) Adjust the SCREEN switch on the flyback transformer to make a horizontal shining line just visible on the screen.
- 3) Turn on the vertical output, adjust the "FOCUS" on the flyback transformer to obtain the optimum focus.

5. White balance adjustment (NORMAL)

- 1) Apply Black and White Signal in normal status, enter into Factory Mode and select Menu 1.
- 2) Using analyzer to test the black signal part, adjust RCUT, GCUT, BCUT to make X=284, Y=299.
- 3) Using analyzer to test the white signal part, adjust BDRV, GDRV to make X=284, Y=299.
- 4) Adjusting Brightness and Contrast from Min to Max, repeat step 2)~3) to make X=284, Y=299.

Note: M134 chassis can adjust white balance automatically. In factory mode, press "I2C BUS" to enter in.

The white balance in the other two colors temperature is Warm (296, 296), Cool (279, 265).

6. Adjustment of Sub-brightness:

- 1) Apply the Grey-scale/Color bar (NTSC signal) to the AV input, in normal status.
- 2) Enter into Factory Mode and select Menu 5, select BRTC to adjust the sub-brightness, until that the 2nd dark bar of 8 level Grey scale just can be seen.

7. Picture geometric adjustment:

- 1) Apply the Philips standard testing pattern in normal status, then enter menu 3, adjusting the following data to get the min-distortion.

HPOS5/6 (Horizontal Center)	PARA5/6 (Level)	TRAP5/6 (Trapezia)
HSIZE5/6 (Horizontal Size)	CNRT5/6 (Top)	CNRB5/6 (Bottom)
- 2) Apply the Philips standard testing pattern in normal status, then enter menu 3, adjusting the following data to get the min-distortion.

HIGH5/6 (Height)	VP50/60 (Vertical Center)
VLIN5/6 (Linearity)	VSC5/6 (Vertical-S Correction)

8. BTSC/SAP Function checking:

It needn't to adjust the BTSC/SAP, but you have to check where it does work.

9. CCD and V-CHIP function checking:

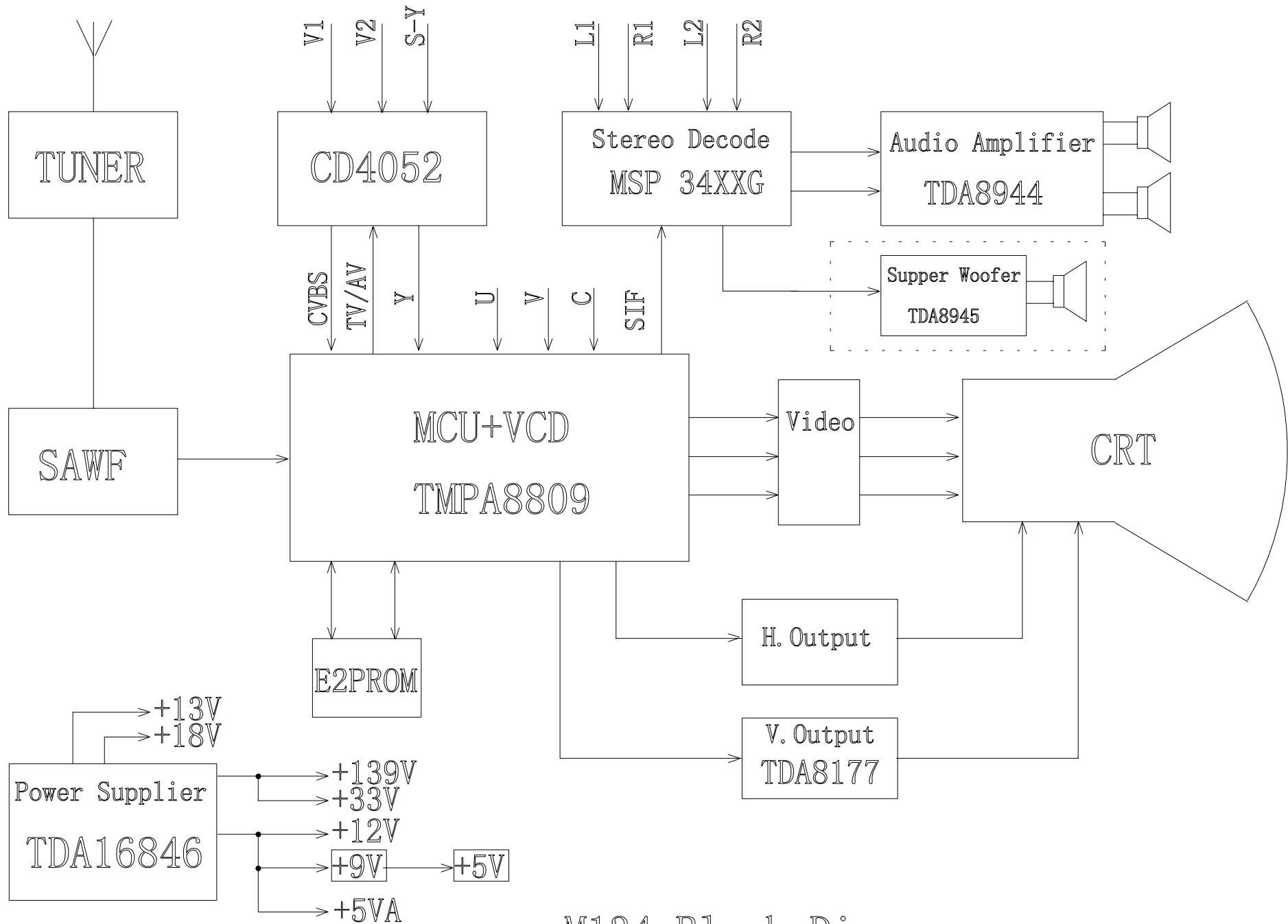
FAC 11		FAC 12		FAC 13		FAC 14	
Item	Data	Item	Data	Item	Data	Item	Data
MPB-STR	43	SVM	05	CLTM	44	HAFC	09
MPB-HMC	0D	SVM1	05	CLVO	43	AGCC	1C
MPB-HP	07	OSD2	20	CLVS	43	NOIS	01
MPB-LP	11	OSDF2	64	ABL	27	ONTM	08
MPB-LIM	00	PYNX	28	DCBS	14	NSHP	1A
SUB-FRE	28	PYNN	18	FLG0	82	PVLVL	80
SUB-HP	02	PYXS	22	FLG1	0C/0D	PLMT	80
VOL-MAI	00	PYNS	10				

FAC 15		FAC 16		FAC 17		FAC 18	
Item	Data	Item	Data	Item	Data	Item	Data
RC-C **	80	RC-W **	80	D-COL	32	S-COL	32
GC-C **	80	GC-W **	80	D-BRI	32	S-BRI	32
BC-C **	80	BC-W **	80	D-CON	5A	S-CON	32
GD-C **	40	GD-W **	40	D-SHP	32	S-SHP	32
BD-C **	40	BD-W **	40				
		YUVGC	03				
		YUVBC	03				

FAC 19		FAC 20		FAC 21		FAC 22	
Item	Data	Item	Data	Item	Data	Item	Data
S-COL	32	T-Hz120-BAS	5A	C-Hz120-BAS	32	B-Hz120-BAS	14
S-BRI	32	T-Hz500-TRE	5A	C-Hz500-TRE	32	B-Hz500-TRE	14
S-CON	1E	T-Hz1K5	0C	C-Hz1K5	0C	B-Hz1K5	0C
S-SHP	32	T-Hz5K	0C	C-Hz5K	0C	B-Hz5K	0C
		T-Hz10K	0C	C-Hz10K	0C	B-Hz10K	0C

FAC 23	
Item	Data
COMB1	00
COMB2	05
COMB3	00
AV GAIN	19

* It means the data are stable.



M134 Block Diagram



40-2918T6-MAE1X

