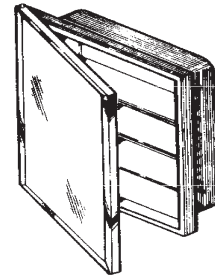


STYLELINE SERIES MOLDED BATH CABINETS



Standard builder models - for recessed and surface mount installation

FEATURES

- Easy to clean, one-piece, injection-molded polystyrene construction
- Glass Mirror
- Stainless steel frame
- Butt hinge
- Polystyrene shelves (fixed or adjustable)
- Reversible - for left-hand or right-hand door opening
- Includes mounting hardware

TYPICAL SPECIFICATION

Bath cabinet shall be NuTone Styleline Series Model 401ADJ, (407ADJ), (614) and (624).

Bath cabinet shall be of one-piece, injection-molded polystyrene construction.

Glass mirror shall have full surround of stainless steel frame with spring clip closure (401ADJ & 407ADJ) or screw closure (614 & 624). Door back shall be fitted tight within the frame and finished in white.

Cabinet shall have butt hinges.

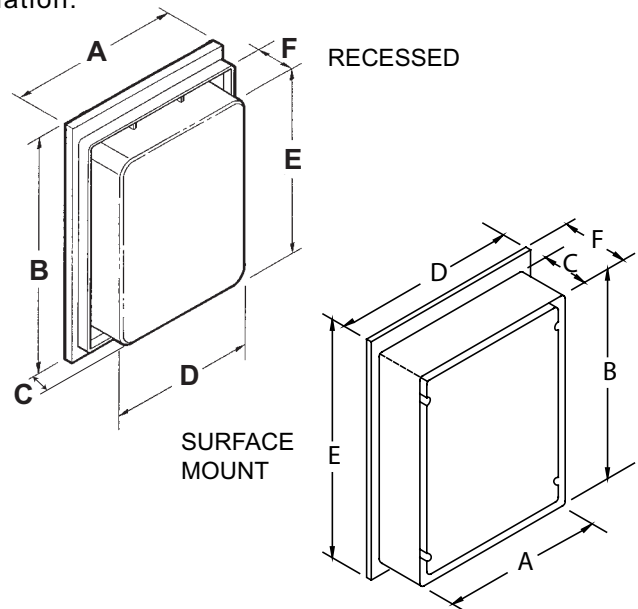
Cabinet shall be reversible for left-hand or right-hand installation.

RECESSED CABINETS

MODEL NO.	OVERALL SIZE			WALL OPENING			SHELVES
	A	B	C	D	E	F	
401ADJ	16	20	3 ³ / ₄	14	18	2 ¹ / ₂	2 (adj)
407ADJ	16	22	3 ³ / ₄	14	18	2 ¹ / ₂	2 (adj)
624	16	26	4 ¹ / ₂	13 ⁷ / ₈	23 ⁷ / ₈	2 ⁷ / ₈	3 (fixed)

SURFACE MOUNT CABINET

MODEL NO.	BODY SIZE			OVERALL SIZE			SHELVES
	A	B	C	D	E	F	
614	15 ⁵ / ₈	19 ⁵ / ₈	3 ⁵ / ₈	16 ¹ / ₄	22 ¹ / ₄	4 ¹ / ₄	2 (fixed)



Broan-NuTone Storage Solutions, 501 S. Wilhite Street, Cleburne, TX 76031 (1-800-325-8351)

REFERENCE	QTY.	REMARKS	Project
			Location
			Architect
			Engineer
			Contractor
			Submitted by
			Date