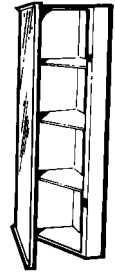


### MODEL 860 SERIES SURFACE MOUNTED CORNER MEDICINE CABINETS



Standard builder models - for surface installation -  
Frameless mirror or stainless steel framed mirrored swing doors

#### FEATURES

- Triangular-shaped surface-mounted corner cabinet
- Easy to clean, heavy gauge steel construction
- Plate or window glass mirror
- \*Framed models with stainless steel frame
- Rust resistant
- Full piano hinge
- Stationary shelves
- Reversible for left-hand or right-hand door opening
- Includes mounting hardware

#### TYPICAL SPECIFICATION

Medicine cabinet shall be NuTone Corner Cabinet Series.

Surface mounted medicine cabinet shall be fabricated of heavy gauge steel construction finished in powder coated white paint after forming.

Cabinet shall have full piano hinge and a magnetic door catch.

Each cabinet shall include two or three stationary metal shelves.

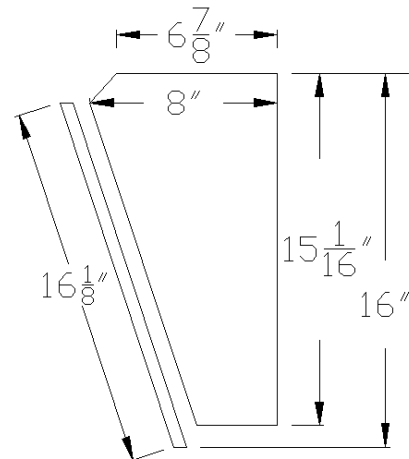
Cabinet shall be reversible for left-hand or right-hand installation.

For \*framed cabinets, plate (window) glass mirror shall have full surround of stainless steel frame with tab / clip closure. Steel door back shall be fitted tight within the frame and finished in powder coat white paint to match cabinet.

For frameless cabinets, plate glass mirror shall have polished edges on all four sides or beveled edge.

MODEL NO.	TRIM FINISH	OVERALL SIZE	MIRROR TYPE
*860P30	WH,CH	16 30 8	WINDOW
*860P36	WH,CH	16 36 8	WINDOW
867P30	WH,CH	16 30 8	BEVELED
867P36	WH,CH	16 36 8	BEVELED

Add TRIM FINISH to Model No.



Broan-NuTone LLC, 501 S. Wilhite Street, Cleburne, TX 76031 (1-800-325-8351)

REFERENCE	QTY.	REMARKS	Project
			Location
			Architect
			Engineer
			Contractor
			Submitted by <span style="float: right;">Date</span>