

Ice-O-Matic®

SERVICE PARTS MANUAL

Storage Bins



CRT125



B25



B40



B42



B100



B75



B55

This parts list contains the service parts available for the Ice-O-Matic storage bins listed below.

B25

B42

B40

B55

B75

B100

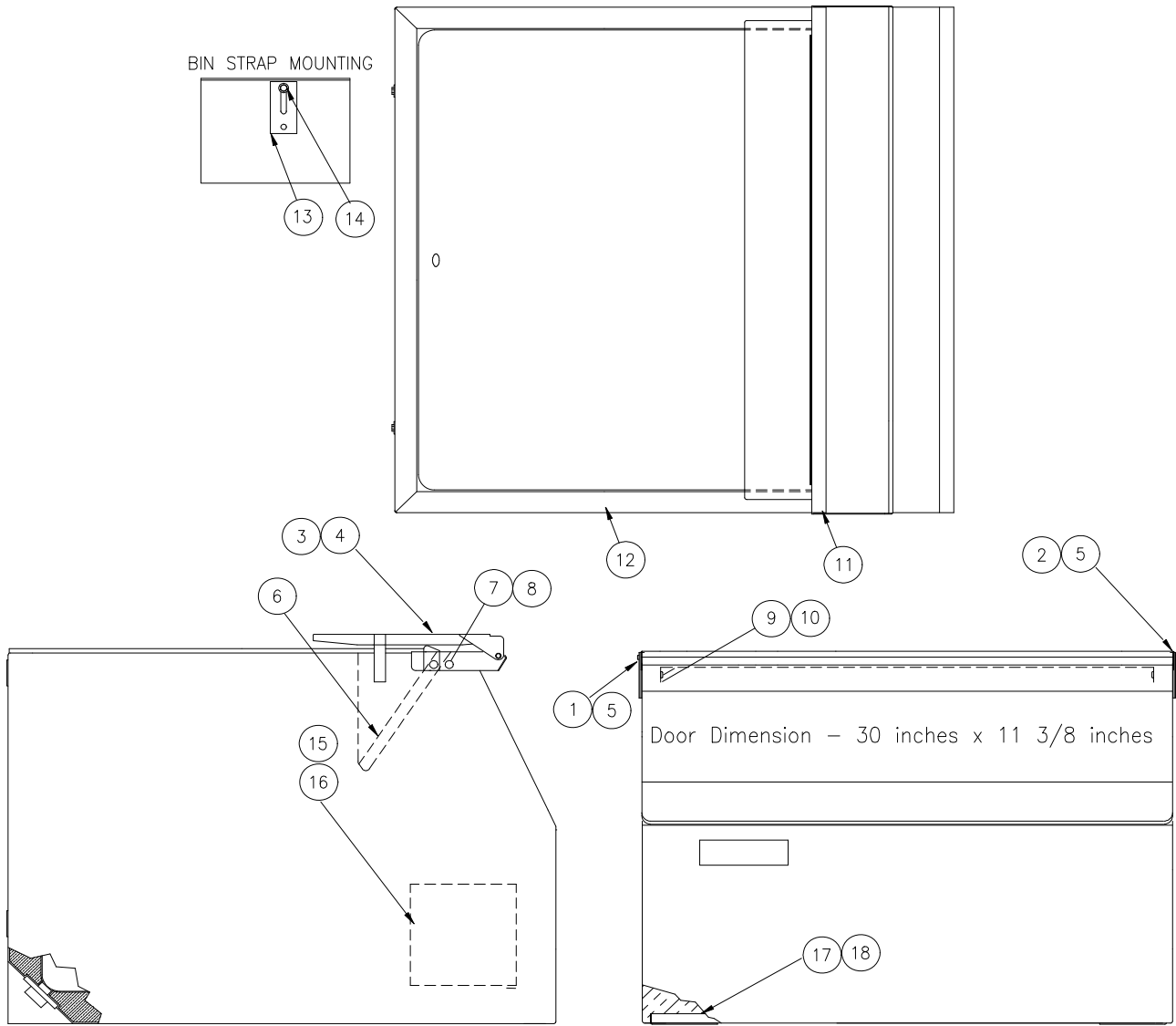
CRT 125 Ice Cart

Check the model number on the data plate and refer to the correct listing for the specific component.

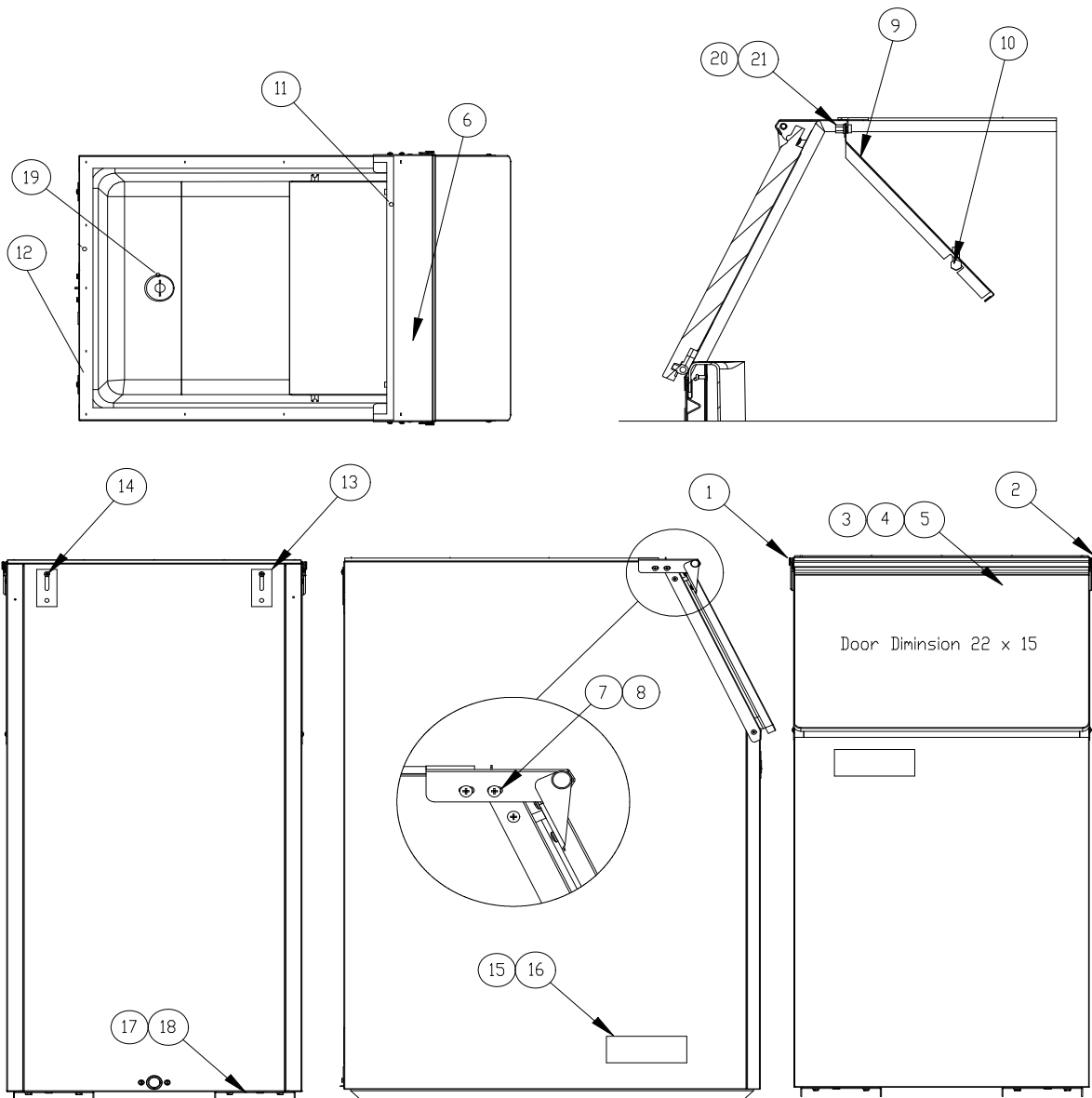
Check carefully that the correct part is identified and ordered.

Table of Contents	Page 1
B25	Page 2
B42	Page 3
B40 and B55	Page 4
B75	Page 5
B100	Page 6
CRT125	Page 7

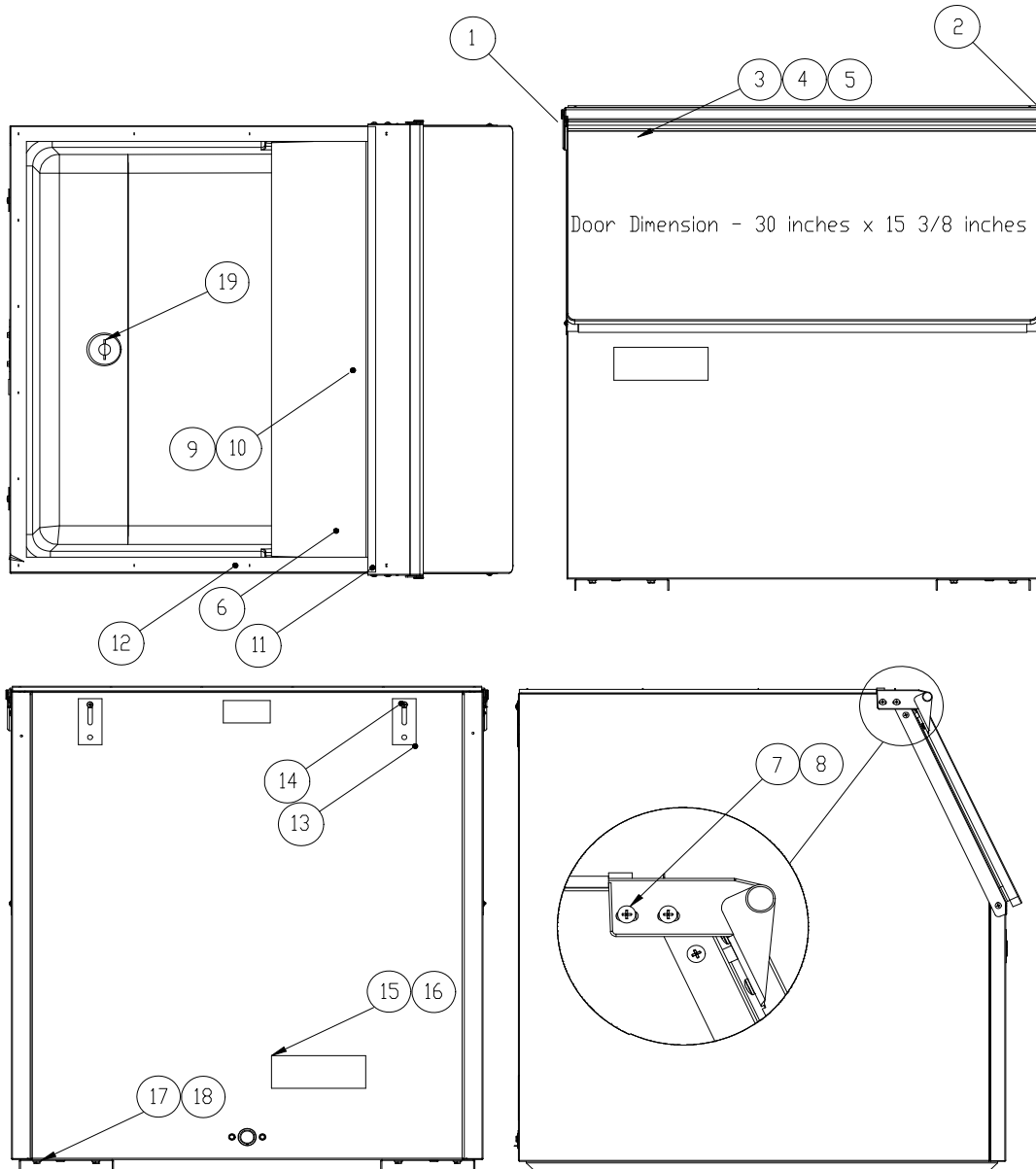
Ice-O-Matic
11100 East 45th Ave.
Denver Co. 80239
800-423-3367



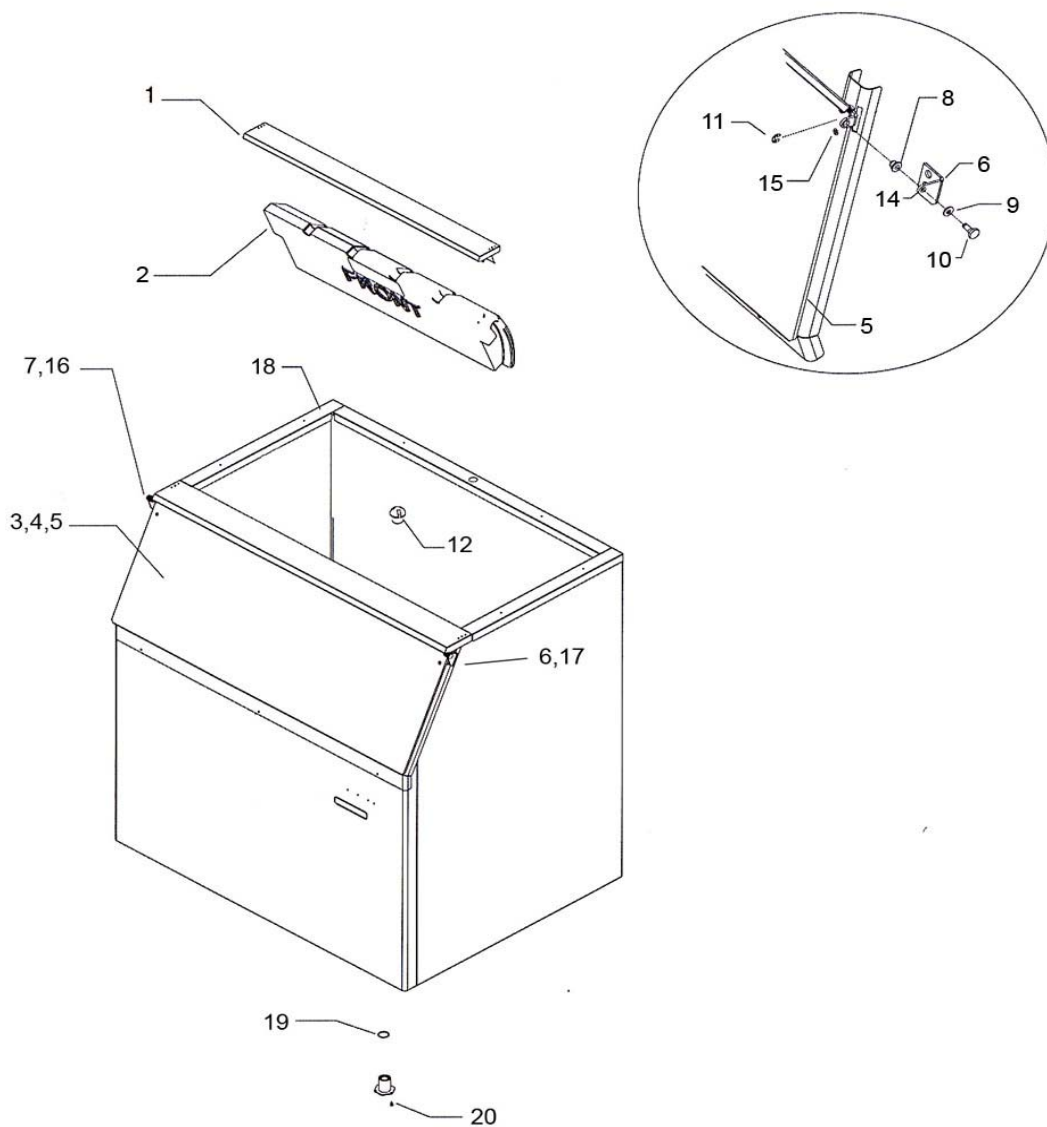
Item	B25 Bin	Description
1	2031302-01	Hinge-Left Hand
2	2031302-02	Hinge-Right Hand
3	2031303-97	Door, 30 x 11.375 Black Only (Includes Gasket)
4	6081036-01	Door Gasket 3.00 Ft. Required
5	9031008-15	Screw-Hinge to Door
6	2101252-01	Drip Shield/Ice Deflector
7	9031098-03	Drip Shield Screw
8	9031141-01	Plastic Nut
9	3012646-03	Drip Shield Stainless Steel Stiffner
10	9031113-04	Drip Shield Stainless Steel Stiffner Screws
11	6081004-07	Drip Shield Gasket 2.50 Ft Required
12	6081033-01	Bin Perimeter Gasket 6.33 Ft. Required
13	3012608-01	Connecting Strap
14	9031113-03	Connecting Strap Screw
16	9051127-01	Ice Scoop
17	2031453-01	Leg Support (Includes Nut Retainers)
18	9031012-02	Leg Nut Retainer



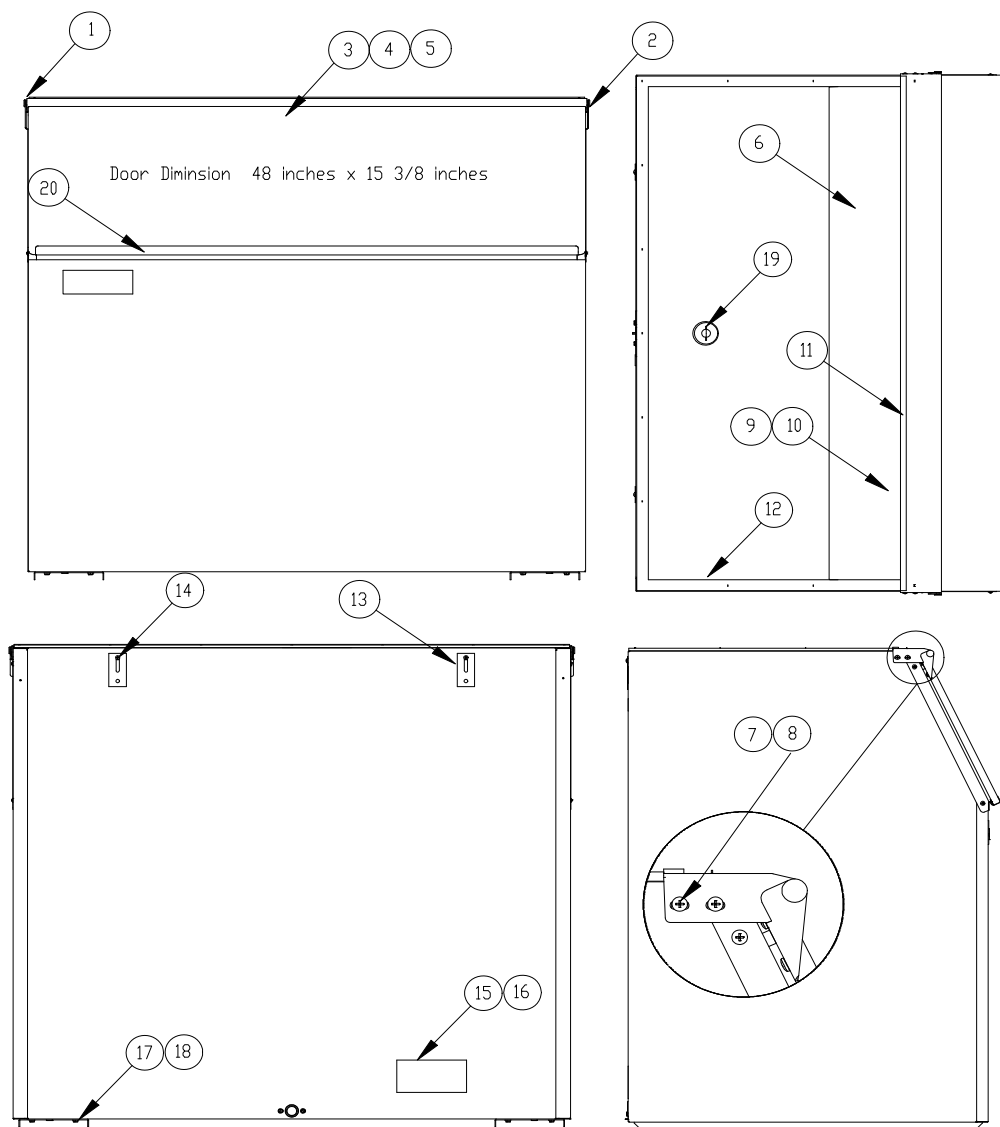
Item	B42 Bin	Description
1	2031302-01	Hinge-Left Hand
2	2031302-02	Hinge-Right Hand
	9121032-01	Nylon Bearing (Hinge)
3	2031303-98	Door, 22 x 15 Black (Includes Gasket)
4	6081036-01	Door Gasket 4.00 Ft. Required
5	9031008-15	Screw-Hinge to Door
6	2031496-01	Drip Shield
7	9031098-03	Drip Shield Screw
9	3011984-03	Ice Deflector
10	9031116-01	Hex Standoff
11	6041004-07	Drip Shield Gasket 2.3 Ft Required
12	6081033-01	Bin Perimeter Gasket 5.70 Ft. Required
13	3012608-01	Connecting Strap
14	9031113-03	Connecting Strap Screw
15	9021001-03	Leg Set (4)
16	9051127-01	Ice Scoop
17	2031310-03	Leg Support (Includes Nut Retainers)
19	9051126-02	Drain Plug
20	9031122-03	Thumbscrew



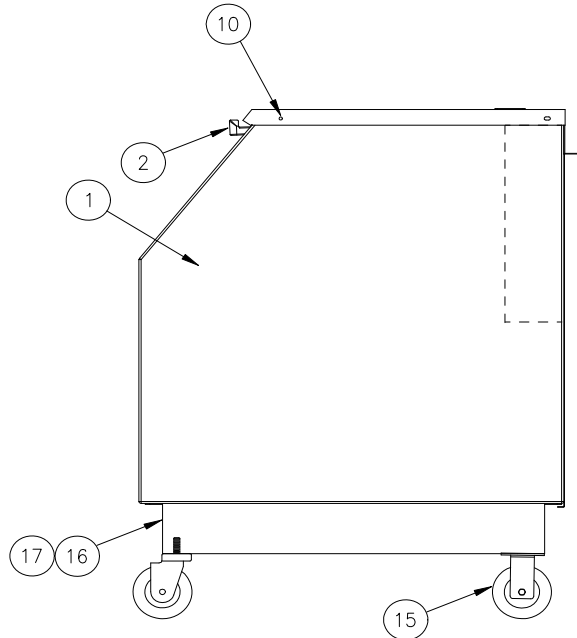
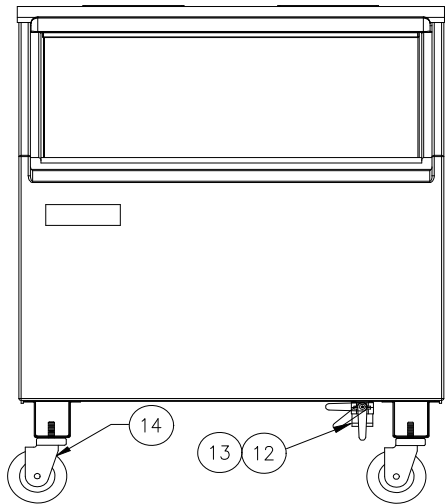
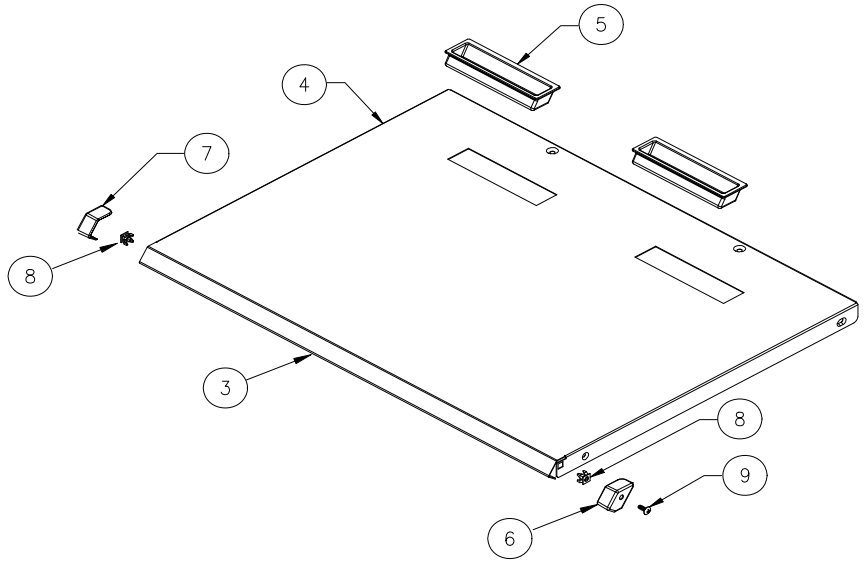
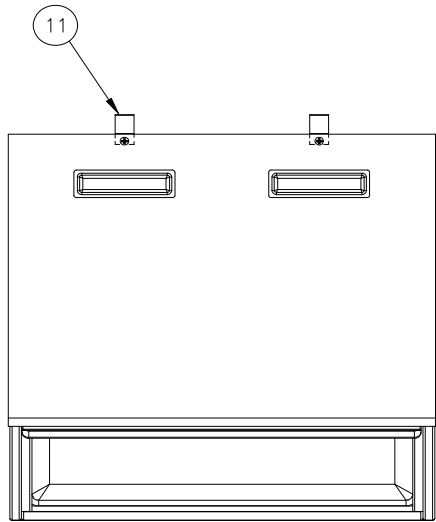
Item	B40 Bin	B55 Bin	Description
1	2031302-01	2031302-01	Hinge-Left Hand
2	2031302-02	2031302-02	Hinge-Right Hand
3	2031303-93	2031303-93	Door, 30 x 15.375 Black Only (Includes Gasket)
4	6081036-01	6081036-01	Door Gasket 5.00 Ft. Required
5	9031008-15	9031008-15	Screw-Hinge to Door
6	2101252-02	2101252-02	Drip Shield/Ice Deflector- Includes Brace
7	9031098-03	9031098-03	Drip Shield Screw
8	9031141-01	9031141-01	Plastic Nut
9	3012646-02	3012646-02	Drip Shield Stainless Steel Brace
10	9031113-04	9031113-04	Drip Shield Stainless Steel Stiffner Screws
11	6081004-07	6081004-07	Drip Shield Gasket 2.5 Ft Required
12	6081033-01	6081033-01	Bin Perimeter Gasket 6.30 Ft. Required
13	3012608-01	3012608-01	Connecting Strap
14	9031113-03	9031113-03	Connecting Strap Screw
15	9021095-01	9021095-01	Leg Set (4)
16	9051127-01	9051127-01	Ice Scoop
17	2031310-03	2031310-03	Leg Support (Includes Nut Retainers)
18	9031012-02	9031012-02	Nut Retainer 1/2-13
19	9051126-01	9051126-01	Drain Plug



Item	B75	Description
1	1011369-01	Canopy
2	1011369-02	Baffle
3	1011369-03	Door Assembly
4	1011369-04	Drip Molding
5	1011369-05	Door Gasket (10 Feet Required)
6	1011369-06	Hinge R/H
7	1011369-07	Hinge L/H
8	1011369-08	Hinge Bushing
9	1011369-09	Hinge Spacer
10	1011369-10	Shoulder Screw
11	1011369-11	E-Clip
12	1011369-12	Drain Top
13	1011369-13	Legs, Painted (Set of 4)
14	1011369-14	Screw - Hinge to Frame
15	1011369-15	Screw - Hinge to Door
16	1011369-16	Door Hinge L/H
17	1011369-17	Door Hinge R/H
18	1011339-104	Gasket
19	1011351-69	O-Ring
20	1011351-05	Drain Bottom



Item	B100 Bin	Description
1	2031302-01	Hinge-Left Hand
2	2031302-02	Hinge-Right Hand
3	2031303-95	Door, 48 x 15 3/8 Black Only (Includes Gasket)
4	6081036-01	Door Gasket 6.50 Ft. Required
5	9031008-15	Screw-Hinge to Door
6	2101252-03	Drip Shield/Ice Deflector
7	9031098-03	Drip Shield Screw
8	9031141-01	Plastic Nut
9	3012646-01	Drip Shield Stainless Steel Stiffner
10	9031113-04	Drip Shield Stainless Steel Stiffner Screws
11	6081004-07	Drip Shield Gasket 4.0 Ft Required
12	6081033-01	Bin Perimeter Gasket 7.8 Ft. Required
13	3012608-01	Connecting Strap
14	9031113-04	Connecting Strap Screw
15	9021095-01	Leg Set (4)
16	9051127-01	Ice Scoop
17	2031310-03	Leg Support (Includes Nut Retainers)
18	9031012-02	Nut Retainer 1/2-13
19	9051126-01	Drain Plug
20	3012664-01	Bin Door Reinforcement



Item	CRT125	Description
1	9051214-01	Bin
2	9051310-01	Bin Door
3	2101414-01	Top Panel Assembly (Includes Items 4-8)
4	3021924-01	Top Panel Only
5	9021089-01	Recessed Handle
6	9051542-01	Corner Cap Right Hand
7	9051542-02	Corner Cap Left Hand
8	9031141-01	Plastic Nut
9	9031098-02	Plastic Corner Screw
10	9031023-10	Top Panel Screw
11	3012780-01	Hose Clip
12	9091117-01	Drain Valve
13	9091097-01	Drain Elbow
14	9021088-01	Caster-Pivot (Front)
15	9021094-01	Caster-Fixed (Rear)
16	2021511-01	Leg Channel (Left and Right)
17	9031113-02	Leg Channel Screw

Not Shown-Ice Scoop-9051127-02