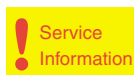


Service  
Service  
Service



**HR 7638**  
**/A /B /C /D**  
**/E /F /G /H /I**

Philips Domestic Appliances and Personal Care

Service Manual 4322 277 00655 is herewith cancelled

# Service Manual

**HR 7638 /A /D /G : Comfort version**

**HR 7638 /B /E /H : Cucina ivory version**

**HR 7638 /C /F /I : Cucina white version**

## PRODUCT INFORMATION

The food processor is equipped with mechanical and thermal safety switches.

Motor power consumption : 450 W

Kneading capacity : max. 400 g of flour  
max. 680 g of dough

Voltage & frequency : 220-240 V; 50-60 Hz  
110-120 V; 50-60 Hz

Cordset : 150 cm

Speed setting : 2 speeds + pulse

Bowl capacity : 1,8 l dry ingredients  
1,2 l liquids

Blender beaker : 1,5 l total  
1,25 l effective

Dimensions fancy box : 433 x 248 x 414

### Automatic resetable thermal cut-out

- In order to avoid an hazardous situation due to inadvertent resetting of the thermal cut-out, this appliance must not be supplied through a timer.
- To prevent damage due to overheating, the appliance has been equipped with an automatic cut-out system. This system will automatically cut off the power supply when the appliance overheats.
  - If the appliance suddenly stops running:
  - Unplug the appliance
  - Press the button 'pulse / 0'
  - Let the appliance cool down for 60 minutes
  - Plug the appliance in again
  - Switch the appliance on again

### Safety lock

- The motor unit as well as the lid have been provided with marks. The appliance will only function if the arrow on the motor unit is placed directly opposite the mark on the lid.
- If both the blender and the bowl have been correctly mounted, only the blender will function.
- For using the bowl, the blender jar has to be removed from the appliance and the screwcap has to be attached. Otherwise only the blender will work.

### Cleaning

- The bowl, lid of the bowl, pusher and accessories can also be washed in the dishwasher.
- The cover with insert storage and the blender jar are not dishwasher proof.

### Important:

- If the appliance is used without the blender jar, the appliance will not function if the screw cap has not been screwed onto the attaching hole for the blender.

**This product meets the requirements regarding interference suppression on radio and TV.**

**After the product has been repaired, it should function properly and has to meet the safety requirements as officially laid down at this moment.**

**HR 7638 /A /B /C /D /E /F /G /H /I**

1	9965 000 06961	Blender cover printed	/A /D /G	25	9965 000 06784	Bottom assy	/A /D /G
	9965 000 06960	Blender cover printed	/B /E /H		9965 000 06816	Bottom assy	/B /E /H
	9965 000 12140	Blender cover printed	/C /F /I		9965 000 12155	Bottom assy	/C /F /I
2	9965 000 06963	Blender coupling assy	/A /D /G	29	9965 000 06928	Spatula	/A /C /D /F /G /I
	9965 000 06964	Blender coupling assy	/B /C /E /F /H /I		9965 000 06927	Spatula	/B /E /H
3	9965 000 06771	Housing one colour printed	/A /D	30	9965 000 06926	Special cover	/A /D /G
	9965 000 12317	Housing one colour printed	/G		9965 000 06925	Special cover	/B /C /E /F /H /I
	9965 000 06764	Housing one colour printed	/B /E	31	9965 000 06924	Mono pusher	
	9965 000 12318	Housing one colour printed	/H	32	9965 000 06923	Bearing insert	/A /C /D /F /G /I
	9965 000 12159	Housing one colour printed	/C /F /I		9965 000 06922	Bearing insert	/B /E /H
4	9965 000 06776	Rubber piece		33	9965 000 06921	Bowl cover assy	/A /C /D /F
5	9965 000 06787	Motor assy 110 - 120 V			9965 000 12313	Bowl cover assy	/G /I
	9965 000 06789	Motor assy 220 - 240 V			9965 000 06920	Bowl cover assy	/B /E
6	9965 000 06775	Flex	/A /D /G		9965 000 12316	Bowl cover assy	/H
	9965 000 06774	Flex	/B /E /H	34	9965 000 06919	Bowl	/A /B /C /D /E /F /G /H /I
	9965 000 12154	Flex	/C /F /I	35	4203 065 61570	Granulating insert (opt.)	
7	9965 000 06783	Main switch assy	/A /D /G	36	4203 065 61550	Shredding insert fine	
	9965 000 06781	Main switch assy	/B /C /E /F /H /I		9965 000 12156	Shredding insert fine w/o „stainless steel” wording	
8	9965 000 06972	Coupling fork		37	4203 065 61560	Shredding insert medium	
9	9965 000 06969	Coupling lever assy	/A /D /G	38	4203 065 62310	Shredding insert coarse (opt.)	
	9965 000 06970	Coupling lever assy	/B /C /E /F /H /I	39	9965 000 06943	Julienne insert (opt.)	
10	9965 000 06777	Air tunnel 220-240 V		40	4203 065 61530	Slicing insert fine (opt.)	
	9965 000 09874	Air tunnel 110-127 V		41	4203 065 61540	Slicing insert medium	
11	9965 000 06773	Switch lever assy	/A /D /G		9965 000 12157	Slicing insert medium w/o „stainless steel” wording	
	9965 000 06772	Switch lever assy	/B /C /E /F /H /I	42	9965 000 06941	Insert carrier assy	/A /C /D /F /G /I
12	9965 000 06814	Motor screw assy	/A /D /G		9965 000 06940	Insert carrier assy	/B /E /H
13	9965 000 06913	Rubber sealing ring	/B /C /E /F /H /I	43	9965 000 06936	Kneading knife	/A /C /D /F /G /I
	9965 000 06912	Rubber sealing ring	/A /C /D /F /G /I		9965 000 06935	Kneading knife	/B /E /H
14	9965 000 06915	Locking piece	/A /C /D /F /G /I	44	9965 000 06934	Metal knife assy	/A /D /G
	9965 000 06914	Locking piece	/B /E /H		9965 000 06933	Metal knife assy	/B /E /H
15	9965 000 06917	Drive shaft	/A /C /D /F /G /I		9965 000 12158	Metal knife assy	/C /F /I
	9965 000 06916	Drive shaft	/B /E /H	45	9965 000 06932	Whisk	/A /C /D /F /G /I
16	9965 000 06817	Bearing disc			9965 000 06931	Whisk	/B /E /H
17	9965 000 06820	Locking plate assy	/A /C /D /F /G /I	46	9965 000 06930	Accessory holder assy	/A /C /D /F /G /I
	9965 000 06819	Locking plate assy	/B /E /H		9965 000 06929	Accessory holder assy	/B /E /H
18	9965 000 06815	Rubber tube		47	4822 480 10246	Soybean/ Fruit filter (opt.)	/A /C /D /F /G /I
19	9965 000 06967	Spindle assy			9965 000 12160	Soybean/ Fruit filter (opt.)	/B /E /H
20	9965 000 06974	Compression spring		48	9965 000 06976	Jar lid	/A /C /D /F /G /I
21	9965 000 07073	Coupling piece			9965 000 06977	Jar lid	/B /E /H
22	9965 000 06818	Tooth belt		49	4822 418 10418	Jar assy	
23	9965 000 06962	Drive wheel assy			4822 267 31591	wire connector for two wires	
24	9965 000 06802	Metal mounting plate assy			9965 000 01056	wire connector for three wires	

**NOTE:**

If you have to order the spare parts 3, 33 or 34 you have to look at the production date and type of the appliance!

In case of servicing one of the above mentioned parts for appliances with a productiondate earlier than 02041 you have to order one of the following 12NC's (depends on type version) because of technical changes, which don't allow a compatibility between old and new parts. By ordering one of these 12NC's you will receive all 3 mentioned parts as an assy.

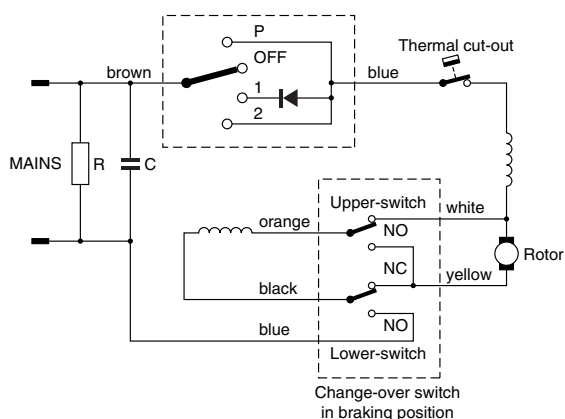
HR7638 /A /D - 9965 000 12306 Assy 12NC

HR7638 /B /E - 9965 000 12307 Assy 12NC

HR7638 /C /F - 9965 000 12308 Assy 12NC

For appliances with a productiondate later than 02041(versions /G /H /I) you can order these parts separately with the 12NC's mentioned in the Service Manual.

**Circuit diagram without accessorie(s)**



**Circuit diagram with accessorie(s)**

