



INSTRUCTIONS

-J02192

REV. 2-26-02

Kit Number 70669-01

HARNESS KIT FOR POLICE TOUR-PAK

General

This Control/Power Supply Harness is designed for use with the following:

FLHP/I and FLHTPI models when equipped with Police Tour-Pak Kit (Part Number 53238-01 or 53239-01) and Front Mounted Strobe Lights.

FXDP models when equipped with Police Tour-Pak Kit (Part Number 53240-01 or 53241-01) and Front Mounted Strobe Lights.

See *Service Parts Illustration* for kit contents.

NOTE

A *Service Manual* for your vehicle is available from your Harley-Davidson dealer.

Installation

1. See Figure 1 and Service Parts Illustration. Obtain Harness (2) from kit. Route (spade end) of harness through Tour-Pak as shown and connect the 3-Pin connector to the power supply.
2. Route spade end out through bottom of Tour-Pak and lay aside. Gain access to the flasher connector by performing the following:
FXDP Models: Follow instructions in applicable Service Manual and remove the Tank Console. Locate flasher connector.
FLHP/I Models: Remove amplifier from left saddlebag support to provide access to left cover. Remove left side cover by pulling away from grommets. Locate flasher connector.
FLHTPI Models - See Figure 4. Remove the outer fairing per the Service manual instructions to locate the pursuit flasher connector.
3. See Figure 2. Locate "X" (spade position) on Connector
4. Install spade terminal from harness into the "X" position of flasher connector.
See Figure 3. Push conduit up over spade terminal housing and using cable strap (1), secure spade terminal to flasher connector by wrapping around conduit then fastening to connector as shown. Using another cable strap, secure flasher connector to something rigid (to eliminate rattle).
5. **FXDP Models:** Follow instructions in applicable Service Manual and re-install Tank Console.
FLHP/I Models: Install left side cover to grommets.
FLHTPI Models: Reinstall outer fairing per service manual instructions.
6. Pull excess harness inside Tour-Pak and use remaining cable straps (1) to secure harness to right side fender support.
7. If installed, test lamps for proper operation.

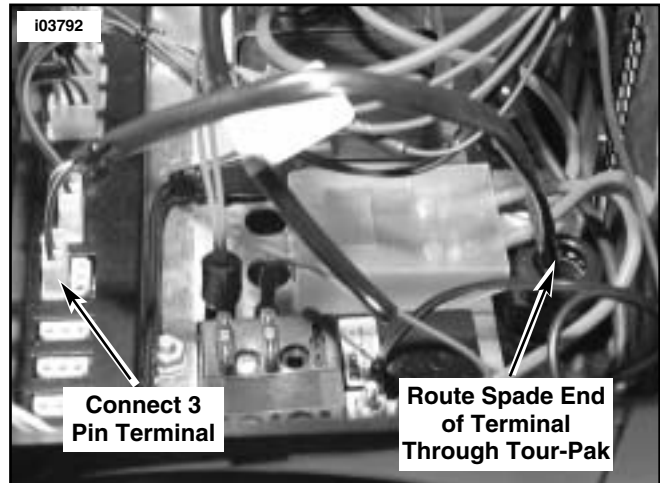


Figure 1. Route Harness through Tour-Pak and Connect 3-Pin Connector

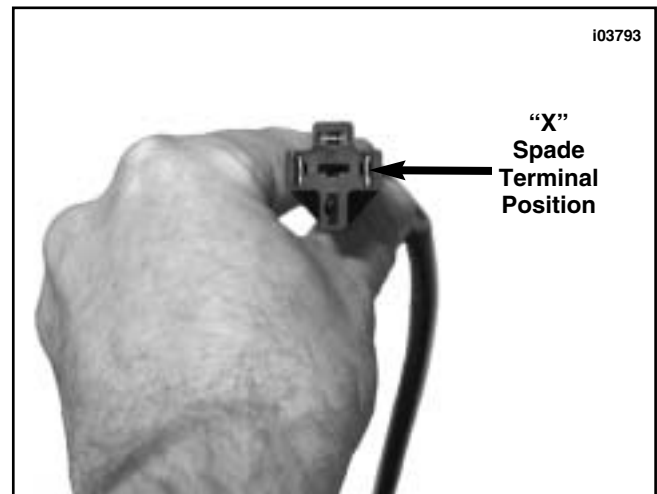


Figure 2. Locate Connector "X" (Spade) Position

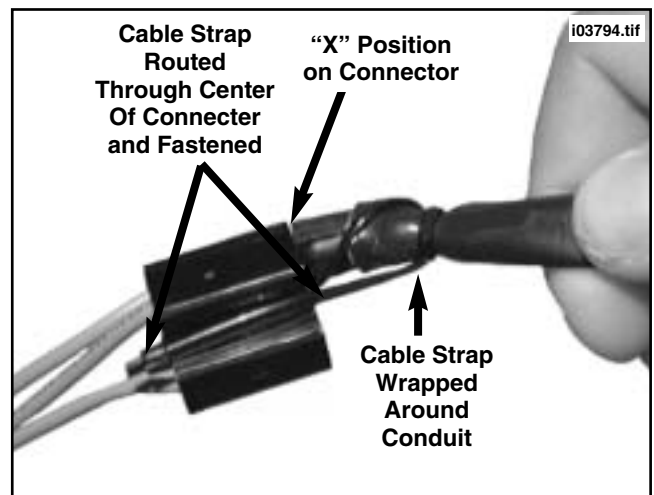


Figure 3. Connect Spade Terminal To Flasher Connector Then Secure

i04635

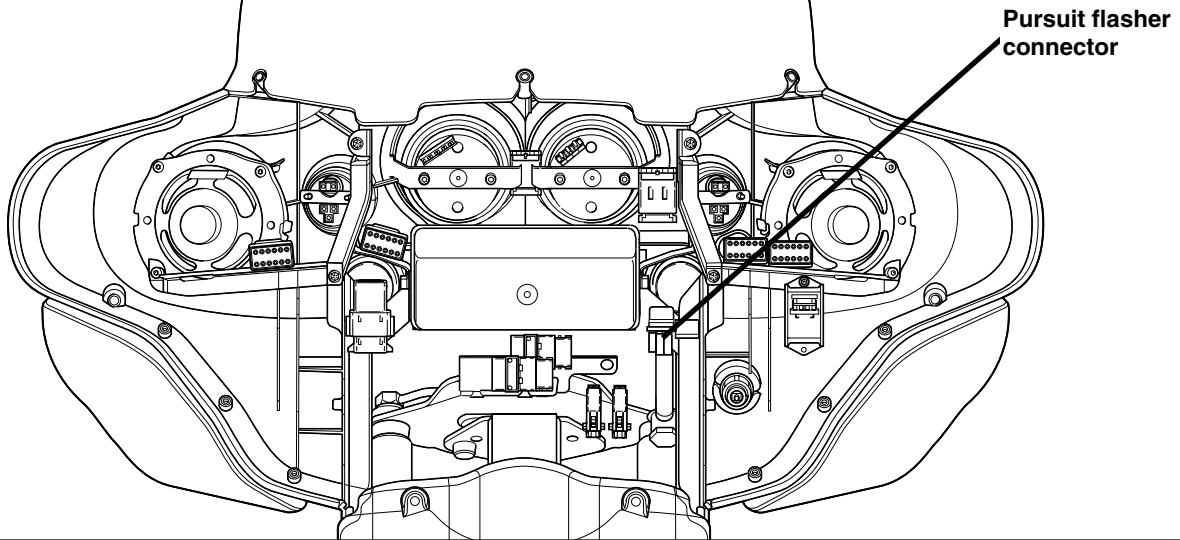


Figure 4. Inner Fairing Connectors (FLHTP-I)



Service Parts

Part No. 70669-01

Date 2/02

Police Tour-Pak Harness Kit

i03795



Item	Description/Qty	Part Number
1	Strap, cable (3)	10181
2	Harness, control/power supply	N/A