



# Wheelabrator replacement parts catalog

For more information please contact  
Wheelabrator or visit our web site at:

[www.wheelabratorgroup.com](http://www.wheelabratorgroup.com)

# TABLE OF CONTENTS

|  |         |
|--|---------|
| WARRANTY STATEMENT, RETURN POLICY .....  | ii      |
| HOW TO ORDER, TECHNICAL SERVICE, SAFETY SIGNS .....  | 1-2     |
| BLAST WHEEL REPLACEMENT PARTS  |         |
| RADIALOK (RLM) SERIES WHEEL AND BD SERIES WHEEL .....  | 4       |
| BD EZEFIT WHEEL ASSEMBLY AND TUNE UP KITS .....  | 5       |
| BD EZEFIT WHEEL HOUSING LINING SYSTEM .....  | 6       |
| WHEELABRATOR WHEEL TUNE-UP KITS .....  | 7, 8, 9 |
| RADIALOK (RLM) 9 PIECE LINERS .....  | 10      |
| BD 9 PIECE LINERS .....  | 11      |
| BD 7 PIECE AND 5 PIECE LINERS .....  | 12      |
| BD 3 PIECE LINERS .....  | 13      |
| WIDE WHEEL (5") R & BDR 9 PIECE LINERS .....   | 14      |
| WHEELABRATOR RADIALOK (RLM) CAST WHEEL OPENING LINERS .....                                  | 15      |
| GUARD HOUSING LINER CONVERSIONS FOR ORIGINAL HINGED AND SECTIONAL STYLE GUARD HOUSINGS ..... | 16, 17  |
| BLAST WHEEL COMPONENTS-CLAMPING LUGS AND HOUSING COVERS .....                                | 18      |
| BCP BLAST WHEEL-AUTOBLAST SERIES WHEEL ASSEMBLY .....  | 19      |
| BCP WHEEL TUNE-UP KITS .....   | 20, 21  |
| BCP WHEEL GUARD HOUSING LINING SYSTEMS   |         |
| CAST MANGANESE .....   | 22      |
| WELDED MANGANESE .....   | 23      |
| BLAST CABINET REPLACEMENT PARTS  |         |
| WHEELABRATOR BLAST CABINET WALL AND ROOF LINERS .....  | 26, 27  |
| SUPPLEMENTAL LONG-LYFE (SLL) LINERS .....  | 28      |
| TABLE WEAR PARTS .....   | 29      |
| BARREL HEAD WEAR PLATES .....  | 30      |
| TUMBLAST SUPPLEMENTAL LONG-LYFE (SLL) LINERS .....   | 31      |
| TUMBLAST INTERNAL CABINET COMPONENTS .....   | 32      |
| LINK ASSEMBLY REPLACEMENT PARTS - PLOW BOLTS .....   | 33      |
| FLIGHT ASSEMBLIES - MANGANESE .....  | 34      |
| WEAR RESISTANT FITTINGS .....  | 35, 36  |
| RUBBER AND PLASTIC COMPONENT PARTS   |         |
| TUMBLAST RUBBER CONVEYOR BELTS .....   | 38      |
| RUBBER COMPONENTS AND PARTS .....  | 39      |
| ELEVATOR BELT COMPONENTS .....   | 40      |
| RUBBER MATERIAL FOR BLAST CHAMBER .....  | 41      |
| CABINET FINGER SEAL .....  | 42      |
| EQUIPMENT MODERNIZATION PROGRAM (EMP)  |         |
| EMP PRODUCT CONVERSION CHART .....   | 44      |
| ACCESSORIES AND CONTROLS   |         |
| AMMETERS AND HOUR METERS AND BLAST CYCLE TIMER HORN .....                                    | 46      |
| VENTILATION CONTROLS, ABRASIVE TRAPS .....   | 47      |
| ABRASIVE CYCLONES .....  | 48      |
| DUST COLLECTOR PARTS AND ACCESSORIES   |         |
| CARTRIDGE FILTERS .....  | 50      |
| DUST TUBE FILTERS .....  | 51      |
| DUST COLLECTOR PARTS AND ACCESSORIES .....   | 52      |
| AIRBLAST EQUIPMENT AND SUPPLIES  |         |
| AIRBLAST EQUIPMENT AND SUPPLIES .....  | 54      |
| MAINTENANCE TOOLS  |         |
| MAINTENANCE TOOLS .....  | 56, 57  |
| SHOT PEENING INSTRUMENTS AND SUPPLIES .....  | 58      |
| QUOTE REQUEST  |         |
| QUOTE REQUEST FORM .....   | 59      |

## WARRANTY

Wheelabrator Group, Inc. (Seller) warrants that the parts and equipment described herein, but only insofar as it is of Seller's design and manufacture or Seller's subcontractor manufacture, will be free from defects in material and workmanship for a period of 12 months from date of delivery ("warranty period"). All equipment or parts manufactured by or for Seller's vendors carry only the warranty given by the manufacturer thereof which warranty Seller will make available to the extent permissible to Buyer without recourse to Seller. If within the warranty period Seller receives written notice promptly after the discovery of any defect in the material or workmanship, in the equipment or parts warranted by Seller herein, Seller shall correct each such defect, at Seller's option, whether by (1) making available F.O.B. Seller's plant repair or replacement parts; (2) repairing any defective parts; or (3) accept the return of the defective equipment or parts and refund the purchase price. Except as otherwise expressly set forth herein, THERE ARE NO OTHER WARRANTIES, EXPRESSED OR IMPLIED, INCLUDING THE WARRANTIES OF MERCHANTABILITY OR FITNESS FOR A PARTICULAR PURPOSE. Liability of Seller under this warranty is conditioned upon the parts or equipment being assembled, erected, installed, operated and maintained in accordance with instructions provided or approved by Seller. Seller makes no warranties which extend to damage to the equipment or parts due to deterioration or wear occasioned by chemicals, abrasion, corrosion or erosion; Buyer's improper assembly, installation, erection, operation, maintenance; abnormal conditions of temperature or dirt; or operation of the equipment or parts above rated capacities or in an otherwise improper manner. Seller's sole responsibility for defects in material and workmanship in equipment and parts, and Buyer's exclusive remedy hereunder, shall be limited as above provided.

## LONG LYFE PARTS WARRANTY

We guarantee Long-Lyfe® parts will reduce your blast equipment parts and maintenance labor costs as compared to any competitive parts, liners or lining material.

If your own tests do not conclusively prove that these costs are lower with Long-Lyfe parts, we will adjust the billing for the Long-Lyfe parts according to any reasonable wheel hour record\* of your actual parts cost.

\*Wheel hour record means a written record of machine activity based on actual blasting time (hours) with abrasive.

## MERCHANDISE RETURN POLICY

Merchandise believed to be defective may be returned for warranty consideration subject to the following conditions:

1. All returns must be shipped freight prepaid, marked with a Return Material Authorization (RMA) number and be accompanied by a copy of the written RMA provided by Wheelabrator Group, Inc..
2. Contact your Wheelabrator Group, Inc. Customer Service Representative to discuss the need for a Return Material Authorization (RMA). It may be possible to resolve your concern without an RMA.
3. Have the following information available for your discussion:
  - a. Part number and description.
  - b. Quantity of items.
  - c. Date of receipt of the parts or equipment.
  - d. Your purchase order number and date of purchase.
4. Provide your Customer Service Representative with a description of the claimed defect in material or workmanship.
5. All parts or equipment approved for return with a written RMA are subject to factory inspection and evaluation to determine if the warranty claim is valid.
6. If parts or equipment are found to be defective in accordance with the Wheelabrator Group, Inc. warranty; appropriate repair, replacement or credit will be determined by your Wheelabrator Group, Inc. Customer Service representative.
7. Wheelabrator Group, Inc. will not accept nor be responsible for equipment or parts returned without appropriate Return Material Authorization (RMA) documentation.
8. No items will be credited after one (1) year from date of invoice.
9. Electrical components and special order items are non returnable.
10. All returns may be reviewed for exchange authorization for other equipment or parts of equal dollar value. If goods are not exchanged, they are subject to a twenty (20%) restocking fee. Products must be new and in resalable condition.

Any costs incurred by Wheelabrator Group, Inc. to restore such goods to first class condition will be charged to the customer.

## HOW TO ORDER PARTS OR EQUIPMENT FROM THIS HANDBOOK

This handbook is intended to be used in conjunction with your Wheelabrator® Operation & Maintenance Manual or your BCP® Service Manual. This is the manual that includes the machine serial number [Wheelabrator = A- (5 or 6 digit number) or BCP = (3 or 4 digit number)], machine description and service drawings for the various components of your machine. Selection of the correct or best choice of parts or equipment from this manual requires a knowledge of the following items:

1. Type of equipment.
2. Type of application.
3. Type of abrasive being used.
4. Parts & equipment in use on your equipment at this time.

If you need assistance with your selection, contact your local Wheelabrator sales or service representative or your Wheelabrator Customer Service Representative. They will be glad to help you review your needs and make suggestions for your particular operation.

Wheelabrator Group  
1606 Executive Drive  
LaGrange, Georgia 30240 U.S.A.  
800-544-4144  
706-884-6884  
fax 706-884-0710  
wheelabrator@wheelabratorgroup.com

[See inside back cover of this catalog for quote request form](#)

## TECHNICAL SERVICE FOR WHEELABRATOR GROUP, INC. EQUIPMENT

Wheelabrator offers technical service support from strategically located service representatives. These representatives can set up Preventive/Predictive Maintenance (PPM) programs, perform machine inspections, minor repairs, major repairs, operational and maintenance training, equipment modifications, equipment upgrades, machine relocations and machine installations. Contact your local Wheelabrator representative or customer service representative for more information.

# SAFETY SIGNS

## LABEL SELECTIONS

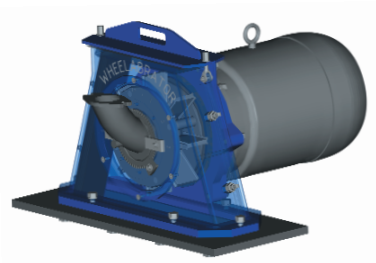
Wheelabrator Group offer's a broad range of safety signs that have been developed for airless wheelblast cleaning machines. It is important to provide the proper level of warning related to the level of risk associated with working on or around the equipment. Your machine may have missing or damaged signs that should be replaced.

Inspect your equipment and determine what types of risks exist and what type of warning signs you will need. Review the list of available signs below and consult with your Customer Service Representative for pricing and availability. If you need assistance with machine inspection and risk evaluation, Wheelabrator offers a contract inspection service that includes a review of all safety devices and warning sign usage.

| LABEL SELECTION CHART |  |              |
|-----------------------|--|--------------|
| PART NO.              | DESCRIPTION  | HAZARD LEVEL |
| 448206                | TAPE/WARNING STRIPE-YELLOW/BLACK   | N/A          |
| 472553                | VERIFY ROTATION  | N/A          |
| 494040                | LOCK OUT POWER AT MAIN ELECTRICAL PANEL BEFORE OPENING                     | DANGER       |
| 494041                | LETHAL VOLTAGE-AUTHORIZED ACCESS ONLY                                      | DANGER       |
| 494042                | TURN OFF AND LOCK OUT POWER AT MAIN ELECTRICAL PANEL                       | DANGER       |
| 494043                | WEAR SAFETY GLASSES WITH SIDE SHIELDS TO OPERATE MACHINE                   | WARNING      |
| 494044                | DO NOT OPERATE MACHINE WITH GUARD RAIL REMOVED                             | WARNING      |
| 494045                | WATCH YOUR STEP. KEEP AREA CLEAN OF DEBRIS                                 | WARNING      |
| 494149                | EQUIPMENT DAMAGE WILL RESULT IF MOTOR ROTATION IS INCORRECT                | CAUTION      |
| 494150                | LOCK OUT POWER AT MAIN ELECTRICAL PANEL                                    | DANGER       |
| 494151                | TO OPERATE MACHINE WEAR SAFETY GLASSES WITH SIDE SHIELDS                   | WARNING      |
| 494387                | DO NOT OPEN DOOR UNTIL MACHINE IS ANCHORED CORRECTLY                       | DANGER       |
| 494388                | STAY CLEAR OF THIS AREA  | DANGER       |
| 494389                | STAND CLEAR WHEN OPENING OR CLOSING DOOR                                   | DANGER       |
| 494390                | STAND CLEAR WHEN OPERATING DOOR OR LOADER                                  | DANGER       |
| 494748                | TURN OFF AND LOCK OUT POWER AT MAIN CONTROL PANEL                          | DANGER       |
| 494749                | LOCK OUT POWER AND BLEED AIR OR HYDRAULIC PRESSURE BEFORE SERVICING        | WARNING      |
| 494750                | STAY CLEAR OF PINCH POINTS   | DANGER       |
| 494751                | SAFETY INSTRUCTIONS-GROUNDING  | N/A          |
| 495075                | SAFETY INSTRUCTIONS-BAG TYPE DUST COLLECTOR                                | N/A          |
| 495076                | "DO NOT OPEN DOOR IF FAN RUNNING, DOOR IS HOT, SMOKE IS PRESENT"           | DANGER       |
| 495077                | AIR BLAST ROOMS  | DANGER       |
| 495078                | RUBBER DEFLASHER-SAFETY INSTRUCTIONS                                       | DANGER       |
| 495079                | ELEVATOR-SAFETY INSTRUCTIONS-KEEP HANDS OUT                                | DANGER       |
| 495605                | 230 VOLTS  | N/A          |
| 498276                | LIFT HERE  | CAUTION      |
| 498277                | DISCONNECT SWITCH DOES NOT REMOVE POWER FROM YELLOW OR YELLOW MARKED WIRES | DANGER       |
| 499414                | 460 VOLTS  | N/A          |
| 499843                | CABLE GROUNDING LABEL  | DANGER       |
| 499946                | MACHINE MUST BE GROUNDED   | DANGER       |
| 670498                | HEARING PROTECTION REQUIRED  | WARNING      |
| 674982                | CHECK WHEEL MOTOR ROTATION   | CAUTION      |
| 674983                | DO NOT OPERATE MACHINE WITH COVER REMOVED                                  | CAUTION      |



## BLAST WHEEL REPLACEMENT PARTS



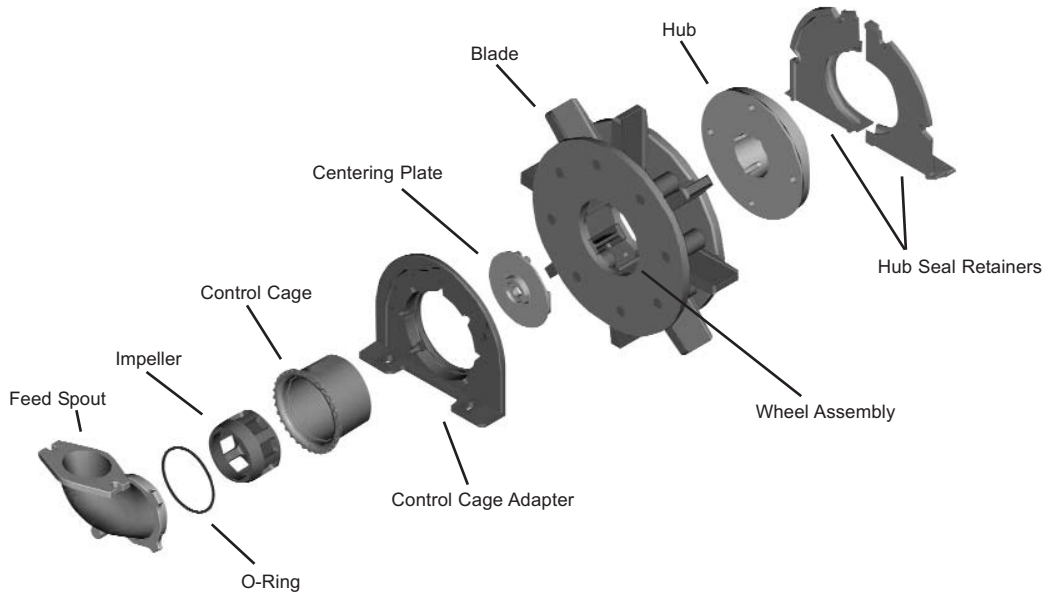
Wheelabrator Group offer's a complete inventory of stock wheel replacement parts. Critical wear resistant wheel parts include complete wheel assemblies, tune-up kits, wheel guard housing liners, and are guaranteed for proper fit.

wheelabrator  
●●●●●●●●■ ■ ■ ■ GROUP

# WHEELABRATOR BLAST WHEEL ASSEMBLIES

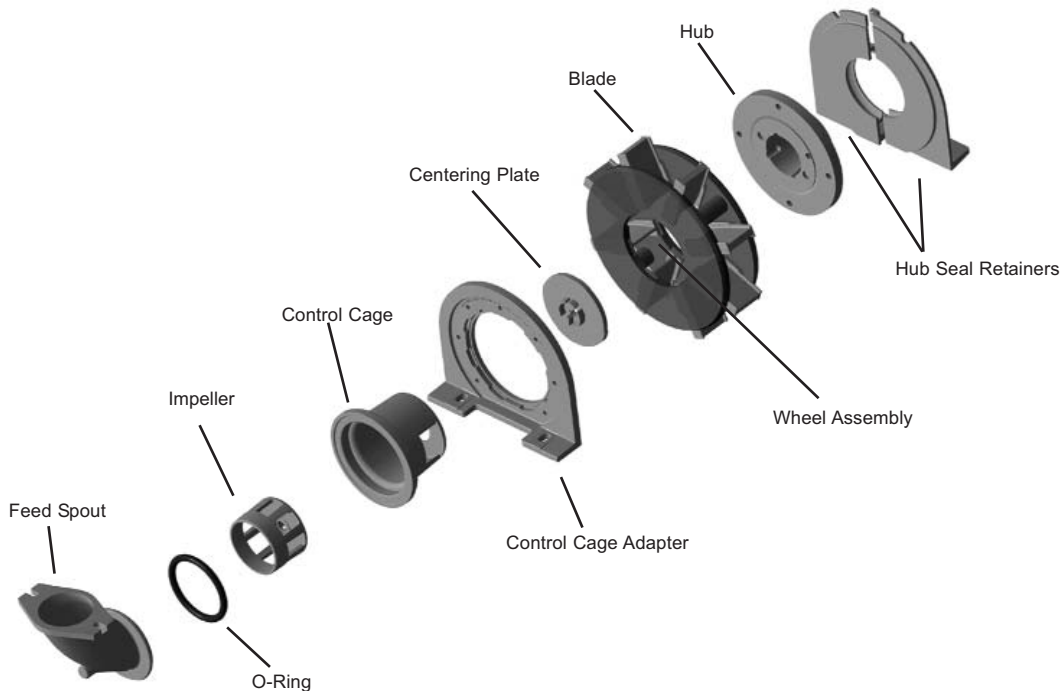
## RADIALOK (RLM) SERIES WHEEL

The Radialok Wheel (RLM) system is available as a conversion and as a completely assembled wheel. The "RLM" wheel utilizes centrifugal force as the means for retaining the patented blades in the wheel. It provides less wear, longer life, and a truer blast pattern with no blade locking spring, pins or set screws. It is available in a 2.50" width, to handle abrasive loadings up to 60 HP (belt driven) (19.50" diameter wheels) and 75 HP direct driven (15.00" diameter wheels).



## BD SERIES WHEEL

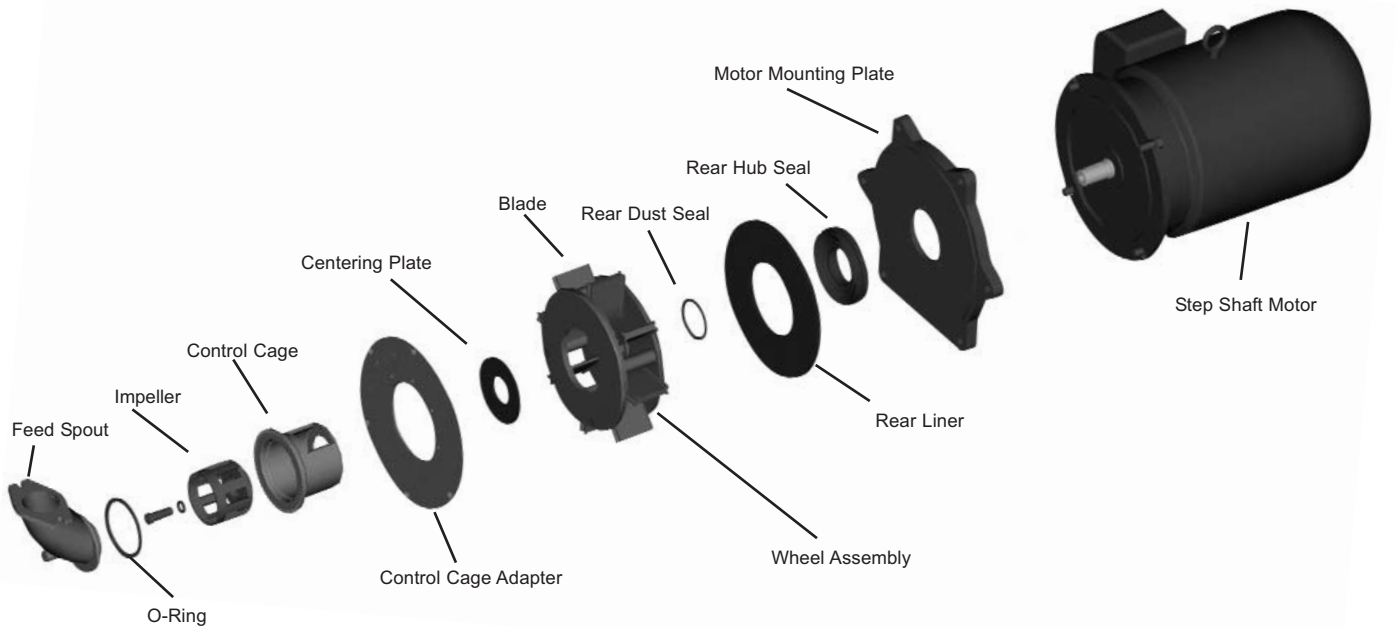
The BD (Bi-Directional) high performance wheel is available in a direct or V-belt driven style for new equipment and as a conversion for older equipment. The BD wheel reduces blast cycle times and can handle up to 100 HP. It is designed for various wheel diameters and width configurations as well as multiple control cage choices for optimizing blast patterns. Protected with a choice of housing and liner systems, this BD system offers maximum versatility across the broad range of wheel blasting applications.



# BD EZEFIT WHEEL TECHNOLOGY

## BD EZEFIT™ WHEEL TECHNOLOGY - WHEEL ASSEMBLY

Restore your EZEFIT, patented blade, blast wheel to peak efficiency using a tune-up kit.



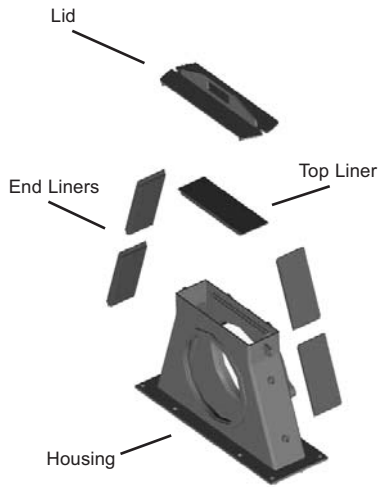
## BD EZEFIT WHEEL TUNE-UP KITS

To select your tune-up kit, determine your wheel type, then your control cage opening size, followed by the appropriate kit number. Use the wheel assembly drawing in your parts manual to help identify your wheel type and control cage opening.

| BD EZEFIT WHEEL TUNE-UP KITS |            |        |                  |        |          |               |                  |        |
|------------------------------|------------|--------|------------------|--------|----------|---------------|------------------|--------|
| KIT NO.                      | WHEEL TYPE | BLADE  | OPENING          | CAGE   | IMPELLER | IMPELLER BOLT | SEAL LOCK WASHER | SEAL   |
| 731283                       | 35BD140    | 731262 | 30 DEG CW & CCW  | 731244 | 729982   | 682988        | 683487           | 730984 |
| 731284                       | 35BD140    | 731262 | 49 DEG CW & CCW  | 731245 | 729982   | 682988        | 683487           | 730984 |
| 731285                       | 35BD140    | 731262 | 70 DEG CW & CCW  | 730032 | 729982   | 682988        | 683487           | 730984 |
| 731286                       | 35BD140    | 731262 | 100 DEG CW & CCW | 731246 | 729982   | 682988        | 683487           | 730984 |
| 731274                       | 35BD160    | 730082 | 30 DEG CW & CCW  | 731244 | 729982   | 682988        | 683487           | 730984 |
| 730289                       | 35BD160    | 730082 | 49 DEG CW & CCW  | 731245 | 729982   | 682988        | 683487           | 730984 |
| 730290                       | 35BD160    | 730082 | 70 DEG CW & CCW  | 730032 | 729982   | 682988        | 683487           | 730984 |
| 730291                       | 35BD160    | 730082 | 100 DEG CW & CCW | 731246 | 729982   | 682988        | 683487           | 730984 |
| 731328                       | 35BD180    | 730103 | 30 DEG CW & CCW  | 731244 | 729982   | 682988        | 683487           | 730984 |
| 731329                       | 35BD180    | 730103 | 49 DEG CW & CCW  | 731245 | 729982   | 682988        | 683487           | 730984 |
| 731330                       | 35BD180    | 730103 | 70 DEG CW & CCW  | 730032 | 729982   | 682988        | 683487           | 730984 |
| 731331                       | 35BD180    | 730103 | 100 DEG CW & CCW | 731246 | 729982   | 682988        | 683487           | 730984 |



# BD EZEFIT WHEEL TECHNOLOGY



## BD EZEFIT™ LINER SYSTEM (5 PIECE)

Cast Hadfield grade manganese housing with exceptional wear characteristics and new two piece interchangeable end liner assembly.

| BD EZEFIT LINER SYSTEM |   |
|------------------------|---|
| LINER DESCRIPTION      | 35BD140 WHEEL<br>35BD160 WHEEL<br>35BD180 WHEEL |
| TOP LINER (1)          | 729960  |
| END LINER (4)          | 729955  |



## BD EZEFIT FRONT VIEW

Re-engineered assembly with reduced maintenance due to stepped motor shaft for assured wheel alignment.



## BD EZEFIT DIRECT DRIVE MOTOR

Direct Drive mounting for accurate alignment and new integrated labyrinth rear hub seal to minimize abrasive leakage while providing increased seal life.

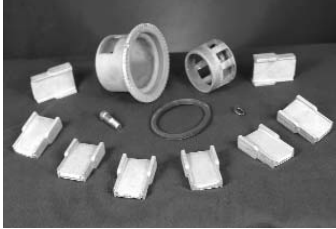
# WHEELABRATOR WHEEL TUNE-UP KIT PARTS

## WHEELABRATOR - TUNE-UP KITS

Restore your Wheelabrator® blast wheel to peak efficiency using a tune-up kit. This handy single-package kit contains all the replacement parts needed for a complete tune-up of your Wheelabrator blast wheel.

The list provided below covers the family of Wheelabrator wheels that have been used since the 1940's. Including the:

G - Q - M - R - RLM - BD - BDD - BDR - LE - LEM WHEELS



We have grouped the tune-up kits in their respective wheel families to make it easier for you to find what you need.

Verify the tune-up kit part number in the wheel section of your Wheelabrator Operations & Maintenance Manual. Available tune-up kit part numbers are shown in the kit No.

column. If the tune-up kit for your machine is not shown, or if you have a question regarding other available kits, contact your local Wheelabrator representative.

| WHEELABRATOR® WHEEL TUNE-UP KIT PARTS |            |        |                 |        |          |        |                      |           |
|---------------------------------------|------------|--------|-----------------|--------|----------|--------|----------------------|-----------|
| KIT NO.                               | WHEEL TYPE | BLADE  | OPENING         | CAGE   | IMPELLER | BOLT   | IMPELLER LOCK WASHER | SEAL RING |
| 491944                                | 25G120     | 148963 | 70 DEG CW & CCW | 200900 | 024817   | 500474 | 198600               | 045558    |
| 443373                                | 25Q150     | 160412 | 70 DEG CW & CCW | 200900 | 144669   | 500473 | 198600               | 045558    |
| 442157                                | 25Q150     | 153260 | 70 DEG CW & CCW | 200900 | 144669   | 500473 | 198600               | 045558    |
| 692851                                | 25Q195     | 153260 | 70 DEG CW & CCW | 200900 | 81856    | 500473 | 198600               | 045558    |
| 462257                                | 50Q195     | 160039 | 70 DEG CCW      | 117134 | 148880   | 500475 | 501770               | 045558    |
| 462258                                | 50Q195     | 160039 | 70 DEG CW       | 117133 | 148880   | 500475 | 501770               | 045558    |
| 443370                                | 17M195     | 180042 | 70 DEG CW       | 106354 | 152475   | 158063 | 165790               | 045558    |
| 443371                                | 17M195     | 180042 | 70 DEG CCW      | 106449 | 152475   | 158063 | 165790               | 045558    |
| 695357                                | 25M150     | 160412 | 100 DEG CW      | 153892 | 408000   | 158063 | 165790               | 045558    |
| 427073                                | 25M195     | 153260 | 70 DEG CW & CCW | 200900 | 408000   | 158063 | 165790               | 045558    |
| 443372                                | 25M195     | 153260 | 82 DEG CW       | 160314 | 408000   | 158063 | 165790               | 045558    |
| 461043                                | 25M195     | 153260 | 49 DEG CW & CCW | 196680 | 408000   | 158063 | 165790               | 045558    |
| 440614                                | 50R210     | 160039 | 100 DEG CW      | 179742 | 681418   | 250135 | 181629               | 173967    |
| 454807                                | 50R210     | 160039 | 70 DEG CW & CCW | 681419 | 681418   | 250135 | 181629               | 173967    |
| 460485                                | 50R210     | 160039 | 100 DEG CCW     | 179741 | 681418   | 250135 | 181629               | 173967    |
| 461359                                | 50R210     | 160039 | 40 DEG CW & CCW | 182438 | 681418   | 250135 | 181629               | 173967    |
| 443514                                | 25RLM150   | 428571 | 70 DEG CW & CCW | 414371 | 414370   | 158063 | 165790               | 448251    |
| 499738                                | 25RLM150   | 428571 | 100 DEG CCW     | 444471 | 414370   | 158063 | 165790               | 448251    |
| 453658                                | 25RLM150   | 428571 | 49 DEG CW & CCW | 441985 | 414370   | 158063 | 165790               | 448251    |
| 459509                                | 25RLM150   | 428571 | 100 DEG CW      | 444472 | 414370   | 158063 | 165790               | 448251    |
| 459712                                | 25RLM150   | 428571 | 49 DEG CW       | 459618 | 414370   | 158063 | 165790               | 448251    |
| 499738                                | 25RLM150   | 428571 | 100 DEG CCW     | 444471 | 414370   | 158063 | 165790               | 448251    |
| 499739                                | 25RLM150   | 428571 | 82 DEG CW       | 423661 | 414370   | 158063 | 165790               | 448251    |
| 499740                                | 25RLM150   | 428571 | 82 DEG CCW      | 423611 | 414370   | 158063 | 165790               | 448251    |
| 444082                                | 25RLM195   | 444903 | 70 DEG CW & CCW | 414371 | 414370   | 158063 | 165790               | 448251    |
| 449506                                | 25RLM195   | 444903 | 100 DEG CW      | 444472 | 414370   | 158063 | 165790               | 448251    |
| 449507                                | 25RLM195   | 444903 | 49 DEG CW & CCW | 441985 | 414370   | 682988 | 683487               | 448251    |
| 449596                                | 25RLM195   | 444903 | 100 DEG CCW     | 444471 | 414370   | 158063 | 165790               | 448251    |
| 452484                                | 25RLM195   | 444903 | 82 DEG CW       | 423661 | 414370   | 158063 | 165790               | 448251    |

**WHEELABRATOR® WHEEL TUNE-UP KIT PARTS (cont.)**

| KIT NO. | WHEEL TYPE | BLADE  | OPENING          | CAGE   | IMPELLER | BOLT   | IMPELLER LOCK WASHER | SEAL RING |
|---------|------------|--------|------------------|--------|----------|--------|----------------------|-----------|
| 461510  | 25RLM195   | 444903 | 82 DEG CCW       | 423611 | 414370   | 158063 | 165790               | 448251    |
| 694933  | 17BD150    | 694925 | 49 DEG CW & CCW  | 675422 | 675420   | 682988 | 683487               | 682231    |
| 694934  | 17BD150    | 694925 | 70 DEG CW & CCW  | 675421 | 675420   | 682988 | 683487               | 682231    |
| 694935  | 17BD150    | 694925 | 100 DEG CW & CCW | 676660 | 675420   | 682988 | 683487               | 682231    |
| 681761  | 17BD195    | 681752 | 49 DEG CW & CCW  | 675422 | 675420   | 158063 | 165790               | 682231    |
| 681762  | 17BD195    | 681752 | 70 DEG CW & CCW  | 675421 | 675420   | 158063 | 165790               | 682231    |
| 681763  | 17BD195    | 681752 | 100 DEG CW & CCW | 676660 | 675420   | 682988 | 683487               | 682231    |
| 695217  | 17BD195    | 691598 | 49 DEG CW & CCW  | 675422 | 675420   | 682988 | 683487               | 682231    |
| 683466  | 25BD130    | 683000 | 49 DEG CW & CCW  | 675422 | 675420   | 682988 | 683487               | 682231    |
| 683467  | 25BD130    | 683000 | 70 DEG CW & CCW  | 675421 | 675420   | 682988 | 683487               | 682231    |
| 686208  | 25BD130    | 683000 | 30 DEG CW & CCW  | 684136 | 675420   | 682988 | 683487               | 682231    |
| 677877  | 25BD150    | 677861 | 49 DEG CW & CCW  | 675422 | 675420   | 158063 | 165790               | 682231    |
| 677878  | 25BD150    | 677861 | 70 DEG CW & CCW  | 675421 | 675420   | 158063 | 165790               | 682231    |
| 677879  | 25BD150    | 677861 | 100 DEG CW & CCW | 676660 | 675420   | 158063 | 165790               | 682231    |
| 678051  | 25BD150    | 677861 | 49 DEG CW & CCW  | 675422 | 675420   | 682988 | 683487               | 682231    |
| 678052  | 25BD150    | 677861 | 70 DEG CW & CCW  | 675421 | 675420   | 682988 | 683487               | 682231    |
| 683596  | 25BD150    | 677861 | 100 DEG CW & CCW | 676660 | 675420   | 682988 | 683487               | 682231    |
| 686764  | 25BD150    | 685782 | 70 DEG CW & CCW  | 675421 | 675420   | 682988 | 683487               | 682231    |
| 688343  | 25BD150    | 685782 | 49 DEG CW & CCW  | 675422 | 675420   | 682988 | 683487               | 682231    |
| 688459  | 25BD150    | 685782 | 100 DEG CW & CCW | 676660 | 675420   | 682988 | 683487               | 682231    |
| 691823  | 25BD150    | 685782 | 30 DEG CW & CCW  | 684136 | 675420   | 682988 | 683487               | 682231    |
| 691836  | 25BD150    | 677861 | 30 DEG CW & CCW  | 684136 | 675420   | 682988 | 683487               | 682231    |
| 498594  | 25BD195    | 471184 | 49 DEG CW & CCW  | 675422 | 675420   | 682988 | 683487               | 682231    |
| 673389  | 25BD195    | 471184 | 70 DEG CW & CCW  | 675421 | 675420   | 682988 | 683487               | 682231    |
| 679099  | 25BD195    | 471184 | 100 DEG CW & CCW | 676660 | 675420   | 682988 | 683487               | 682231    |
| 686357  | 25BD195    | 471184 | 30 DEG CW & CCW  | 684136 | 675420   | 158063 | 165790               | 682231    |
| 693936  | 25BD195    | 672075 | 85 DEG CW & CCW  | 693330 | 675420   | 158063 | 165790               | 682231    |
| 694503  | 25BD195    | 691597 | 70 DEG CW & CCW  | 675421 | 675420   | 682988 | 683487               | 682231    |
| 694723  | 25BD195    | 691597 | 49 DEG CW & CCW  | 675422 | 675420   | 682988 | 683487               | 682231    |
| 733441  | 25BD195    | 691597 | 30 DEG CW & CCW  | 684136 | 675420   | 682988 | 683487               | 682231    |
| 674219  | 25BD250    | 672075 | 49 DEG CW & CCW  | 675422 | 675420   | 682988 | 683487               | 682231    |
| 674220  | 25BD250    | 672075 | 70 DEG CW & CCW  | 675421 | 675420   | 682988 | 683487               | 682231    |
| 677385  | 25BD250    | 672075 | 100 DEG CW & CCW | 676660 | 675420   | 682988 | 683487               | 682231    |
| 697538  | 25BD250    | 672075 | 30 DEG CW & CCW  | 684136 | 675420   | 682988 | 683487               | 682231    |
| 685282  | 50BD150    | 685278 | 49 DEG CW & CCW  | 681440 | 681418   | 682988 | 691071               | 173967    |
| 685283  | 50BD150    | 685278 | 70 DEG CW & CCW  | 681419 | 681418   | 682988 | 691071               | 173967    |
| 682975  | 50BD210    | 679747 | 49 DEG CW & CCW  | 681440 | 681418   | 250135 | 181629               | 173967    |
| 682976  | 50BD210    | 679747 | 70 DEG CW & CCW  | 681419 | 681418   | 250135 | 181629               | 173967    |
| 685203  | 50BD210    | 679747 | 100 DEG CCW      | 685201 | 681418   | 250135 | 181629               | 173967    |
| 685226  | 50BD210    | 679747 | 100 DEG CW       | 179742 | 681418   | 250135 | 181629               | 173967    |
| 686311  | 50BD210    | 679747 | 85 DEG CW & CCW  | 685259 | 681418   | 250135 | 181629               | 173967    |
| 686421  | 50BD250    | 686154 | 100 DEG          | 686419 | 681418   | 682988 | 691071               | 173967    |
| 686913  | 50BD250    | 686154 | 49 DEG CW & CCW  | 681440 | 681418   | 682988 | 691071               | 173967    |
| 686914  | 50BD250    | 686154 | 70 DEG CW & CCW  | 681419 | 681418   | 682988 | 691071               | 173967    |

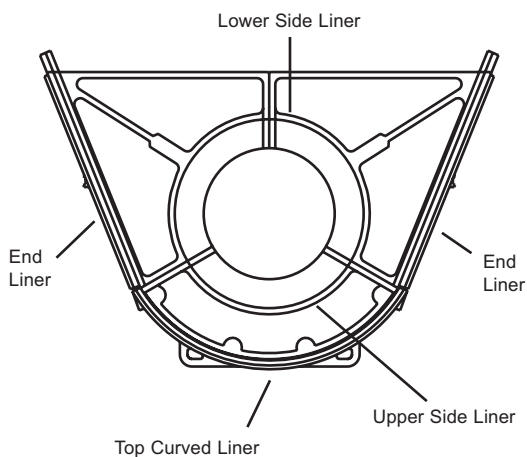
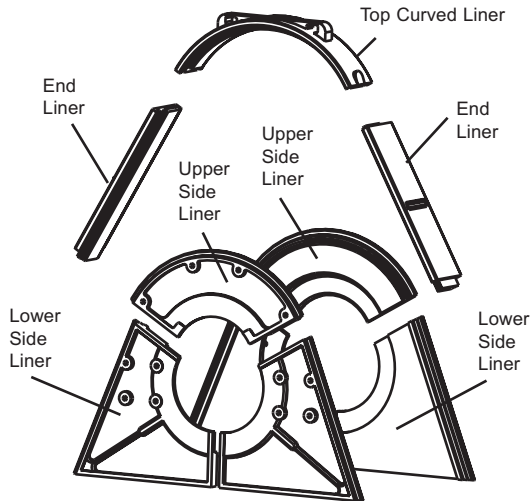
**WHEELABRATOR® WHEEL TUNE-UP KIT PARTS (cont.)**

| KIT NO. | WHEEL TYPE      | BLADE   | OPENING         | CAGE    | IMPELLER | BOLT    | IMPELLER LOCK WASHER | SEAL RING |
|---------|-----------------|---------|-----------------|---------|----------|---------|----------------------|-----------|
| 685415  | 17BDL195        | 681752  | 49 DEG CW & CCW | 441985  | 414370   | 682988  | 683487               | 448251    |
| 688600  | 17BDL195        | 681752  | 82 DEG CW       | 423661  | 414370   | 682988  | 683487               | 448251    |
| 688601  | 17BDL195        | 681752  | 82 DEG CCW      | 423611  | 414370   | 682988  | 683487               | 448251    |
| 684934  | 25BDL150        | 677861  | 70 DEG CW & CCW | 414371  | 414370   | 682988  | 683487               | 448251    |
| 685067  | 25BDL150        | 677861  | 100 DEG CW      | 444472  | 414370   | 682988  | 683487               | 448251    |
| 686969  | 25BDL150        | 677861  | 49 DEG CW & CCW | 441985  | 414370   | 682988  | 683487               | 448251    |
| 692251  | 25BDL150        | 685782  | 70 DEG CW & CCW | 414371  | 414370   | 682988  | 683487               | 448251    |
| 698417  | 25BDL150        | 685782  | 100 DEG CW      | 444472  | 414370   | 682988  | 683487               | 448251    |
| 683432  | 25BDL195        | 471184  | 70 DEG CW & CCW | 414371  | 414370   | 682988  | 683487               | 448251    |
| 684138  | 25BDL195        | 471184  | 100 DEG CW      | 444472  | 414370   | 682988  | 683487               | 448251    |
| 684810  | 25BDL195        | 681752  | 70 DEG CW & CCW | 414371  | 414370   | 682988  | 683487               | 448251    |
| 684921  | 25BDL195        | 471184  | 49 DEG CW & CCW | 441985  | 414370   | 682988  | 683487               | 448251    |
| 695619  | 25BDL195        | 471184  | 100 DEG CCW     | 444471  | 414370   | 682988  | 683487               | 448251    |
| 699062  | 25BDL195        | 471184  | 70 DEG CW & CCW | 414371  | 414370   | 158063  | 165790               | 448251    |
| 721287  | 25BDL195        | 471184  | 82 DEG CCW      | 423611  | 414370   | 682988  | 683487               | 448251    |
| 686208  | 25BDD130        | 683000  | 30 DEG          | 684136  | 675420   | 682988  | 683487               | 682231    |
| 678237  | 25LE130         | 677861  | 49 DEG CW & CCW | 196680  | 408000   | 158063  | 165790               | N/A       |
| 678238  | 25LE130         | 677861  | 70 DEG CW & CCW | 200900  | 408000   | 158063  | 165790               | N/A       |
| 683792  | 25LE130         | 677861  | 82 DEG CW       | 160314  | 408000   | M670727 | T944881              | N/A       |
| 683794  | 25LE130         | 677861  | 82 DEG CCW      | 177480  | 408000   | M670727 | T944881              | 045558    |
| 690304  | LEM             | 674774  | 49 DEG          | 685348  | 672951   | 500964  | 500115               | N/A       |
| 690445  | LEM             | N/A     | 49 DEG          | 685348  | 672951   | 500964  | 500115               | N/A       |
| 673432  | LEM             | N/A     | 70 DEG          | 672950  | 672951   | 500964  | 500115               | N/A       |
| 716897  | LEM             | N/A     | 30 DEG          | 683366  | 672951   | 500964  | 500115               | N/A       |
| C111651 | 12.50" 12 BLADE | C106779 | 37 DEG          | C102028 | C57531   | 158063  | 165790               | 448251    |
| C111652 | 12.50" 12 BLADE | C106779 | 49 DEG          | C102127 | C57531   | 158063  | 165790               | 448251    |
| C111653 | 12.50" 12 BLADE | C106779 | 70 DEG          | C102129 | C57531   | 158063  | 165790               | 448251    |
| C115955 | 13.50" 8 BLADE  | C113315 | 37 DEG          | C102028 | C49477   | 158063  | 165790               | 448251    |
| C155816 | 13.50" 8 BLADE  | C113315 | 49 DEG          | C102127 | C49477   | 158063  | 165790               | 448251    |
| 728355  | 13.50" 8 BLADE  | C113315 | 70 DEG          | C102129 | C49477   | 158063  | 165790               | 448251    |
| C109776 | 13.50" 12 BLADE | C89590  | 37 DEG          | C102028 | C57531   | 158063  | 165790               | 448251    |
| 724473  | 13.50" 12 BLADE | C89590  | 49 DEG          | C102127 | C57531   | 682988  | 683487               | 448251    |
| C109777 | 13.50" 12 BLADE | C89590  | 49 DEG          | C102127 | C57531   | 158063  | 165790               | 448251    |
| C109778 | 13.50" 12 BLADE | C89590  | 70 DEG          | C102129 | C57531   | 158063  | 165790               | 448251    |
| 724859  | 13.50" 12 BLADE | C89590  | 100 DEG         | 724854  | C57531   | 158063  | 165790               | 448251    |

# WHEEL GUARD HOUSING LINING SYSTEM PARTS

## RADIALOK™ (RLM) NINE (9) PIECE WHEEL HOUSING LINER SYSTEM

Give your RLM wheel guard housing Long-Lyfe® (LL) protection utilizing the curved top liner system that reduces the number of liners required and the number of liner joints that must be carefully aligned during assembly. This system also eliminates liner hardware exposure to the abrasive blast inside the housing by using threaded inserts cast into the outside of the liner. Liners are then bolted to the housing from the outside of the housing.



### NINE PIECE LL DOWNBLAST WHEEL HOUSING LINER SYSTEMS

| LINER DESCRIPTION  | 25RLM150 WHEEL | 25RLM195 WHEEL |
|--|----------------|----------------|
| TOP CURVED LINER   | 467313         | 298688         |
| END LINER (2)  | 467312         | 298689         |
| UPPER SIDE LINER (2)   | 467314         | 442472         |
| LOWER SIDE LINER (2)   | 467315         | 442470         |
| LOWER SIDE LINER (2)   | 467316         | 442471         |
| TOP LINER SEAL   | 426856         | 426856         |
| COMPLETE SET INCLUDES ALL LINERS, BOLTS, SET SCREWS, NUTS, WASHERS, ETC. | 494173         | 488471         |

### NINE PIECE LL UPBLAST WHEEL HOUSING LINER SYSTEMS PARTS

| LINER DESCRIPTION  | 25RLM195 WHEEL |
|--|----------------|
| TOP CURVED LINER   | 298688         |
| END LINER (2)  | 298689         |
| UPPER SIDE LINER (2)   | 442472         |
| (WITH DRAIN HOLE) (1)  | 479766         |
| LOWER SIDE LINER (2)   | 442470         |
| LOWER SIDE LINER (2)   | 442471         |
| TOP LINER SEAL   | 426856         |
| COMPLETE SET INCLUDES ALL LINERS, BOLTS, SET SCREWS, NUTS, WASHERS, ETC. | 678401         |

## WHEELABRATOR RLM WHEEL END LINERS

For extra protection in certain applications, longer end liners can be used to protect the wall or roof area from rapid wear. Check with your Wheelabrator representative for your particular machine.



### M + RLM WHEEL HOUSING END LINERS

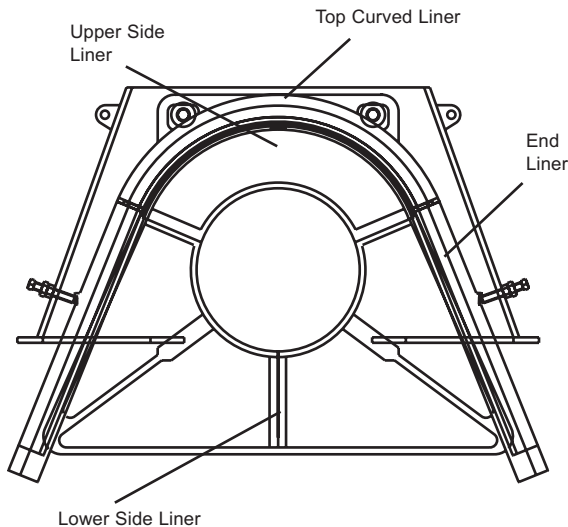
| PART NO. | LENGTH* | COMMENTS |
|----------|---------|----------|
| 298689   | 20.25"  | STANDARD |
| 407151   | 21.00"  | OPTIONAL |
| 441001   | 21.75"  | OPTIONAL |
| 450852   | 22.50"  | OPTIONAL |
| 484355   | 24.00"  | OPTIONAL |

\*These are nominal lengths

# WHEEL GUARD HOUSING LINING SYSTEM PARTS

## WHEELABRATOR® BD NINE (9) PIECE DOWNBLAST WHEEL HOUSING LINER SYSTEM

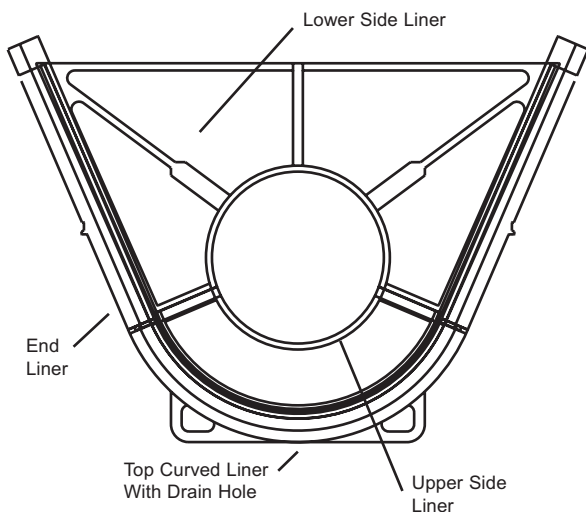
Protect your BD wheel guard housing with a Long-Lyfe® (LL) system utilizing a curved top liner with side liners and end liners for effective protection of the housing. This system eliminates liner hardware exposure to the abrasive blast by using threaded inserts cast into the outside of the liner.



| NINE PIECE LL WHEEL HOUSING LINER SYSTEMS                                |               |               |
|--|---------------|---------------|
| LINER DESCRIPTION  | 25BD195 WHEEL | 25BD250 WHEEL |
| TOP CURVED LINER   | 471198        | 676186        |
| END LINER (2)  | 471197        | 676185        |
| UPPER SIDE LINER (2)   | 471196        | 676121        |
| LOWER SIDE LINER (2)   | 471194        | 676119        |
| LOWER SIDE LINER (2)   | 471195        | 676120        |
| TOP LINER SEAL   | 426856        | 676121        |
| COMPLETE SET INCLUDES ALL LINERS, BOLTS, SET SCREWS, NUTS, WASHERS, ETC. | 679077        | 679078        |

## WHEELABRATOR BD NINE (9) PIECE UPBLAST WHEEL HOUSING LINER SYSTEM

Protect your BD Upblast wheel guard housing with a Long-Lyfe system utilizing a curved top liner with side liners and end liners for effective protection of the housing. This system eliminates liner hardware exposure to the abrasive blast inside the housing by using threaded inserts cast into the outside of the liner. Liners are then bolted to the housing from the outside of the housing with the top liner supported by a special bracket. Top curved liners are equipped with abrasive drain holes.

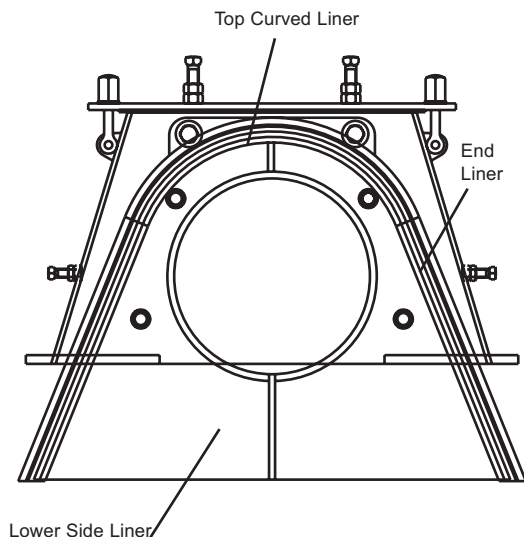


| NINE PIECE LL UPBLAST WHEEL HOUSING LINER SYSTEMS                        |                       |
|--|-----------------------|
| LINER DESCRIPTION  | 25BD195 UPBLAST WHEEL |
| TOP CURVED LINER (WITH DRAIN HOLE)                                       | 725103                |
| END LINER (2)  | 471197                |
| UPPER SIDE LINER (2)   | 471196                |
| LOWER SIDE LINER (2)   | 471194                |
| LOWER SIDE LINER (2)   | 471195                |
| TOP LINER SEAL   | NOT REQUIRED          |
| COMPLETE SET INCLUDES ALL LINERS, BOLTS, SET SCREWS, NUTS, WASHERS, ETC. | 733530                |

# WHEEL GUARD HOUSING LINING SYSTEM PARTS

## WHEELABRATOR® BD SEVEN (7) PIECE WHEEL HOUSING LINER SYSTEM

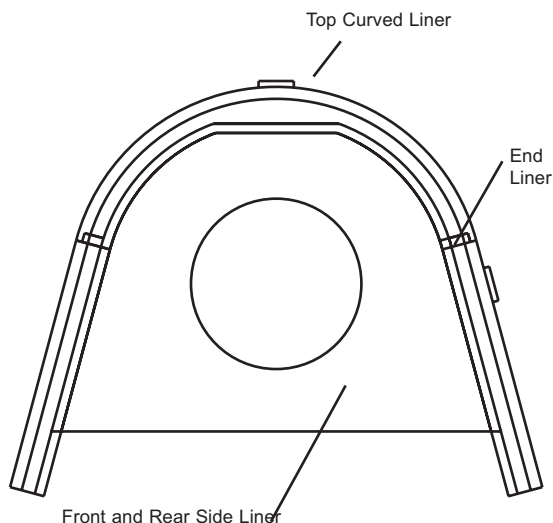
Your BD guard housing is protected with a Long-Lyfe® (LL) liner system utilizing a curved top liner, two (2) pairs of side liners and two (2) end liners. This system also eliminates exposure of liner mounting hardware to the abrasive blast inside the housing, by using threaded inserts cast into the outside of the side liners. Liners are then bolted in place from the outside of the housing.



| SEVEN PIECE LL WHEEL HOUSING LINER SYSTEMS                               |               |               |
|--|---------------|---------------|
| LINER DESCRIPTION  | 25BD150 WHEEL | 25BD130 WHEEL |
| TOP CURVED LINER   | 677898        | 677898        |
| END LINER (2)  | 677901        | 677901        |
| LOWER SIDE LINER (2)   | 488281        | 488281        |
| LOWER SIDE LINER (2)   | 488280        | 488280        |
| TOP LINER SEAL   | NOT REQUIRED  | NOT REQUIRED  |
| COMPLETE SET INCLUDES ALL LINERS, BOLTS, SET SCREWS, NUTS, WASHERS, ETC. | 679080        | N/A           |

## WHEELABRATOR BD FIVE (5) PIECE WHEEL HOUSING LINER SYSTEM

Protect your BD guard housing with a Long-Lyfe system utilizing a curved top liner with two (2) side liners and two (2) end liners for effective protection of the housing. This system also eliminates liner hardware exposure to the abrasive blast inside the housing by using threaded inserts cast into the outside of the liner. Liners are then bolted to the housing from the outside of the housing.

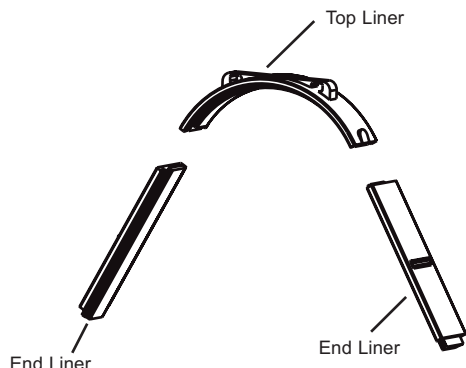


| FIVE PIECE LL WHEEL HOUSING LINER SYSTEMS                                |               |
|--|---------------|
| LINER DESCRIPTION  | 25BD130 WHEEL |
| TOP LINER  | 682998        |
| END LINER (2)  | 682999        |
| FRONT SIDE LINER   | 473808        |
| REAR SIDE LINER  | 473800        |
| COMPLETE SET INCLUDES ALL LINERS, BOLTS, SET SCREWS, NUTS, WASHERS, ETC. | N/A           |

# WHEEL GUARD HOUSING LINING SYSTEM PARTS

## WHEELABRATOR® BD THREE (3) PIECE CAST WHEEL HOUSING LINER SYSTEM

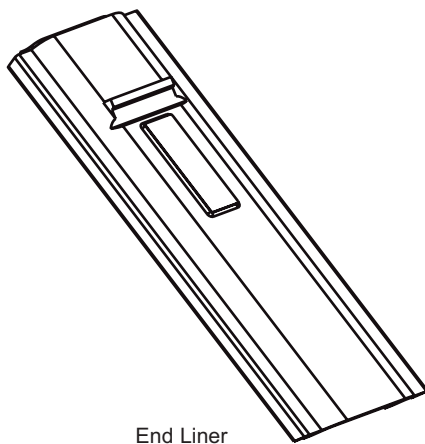
Protect your BD cast manganese wheel guard housing with a Long-Lyfe® (LL) system utilizing a curved top liner with end liners for effective in-line protection of the housing. This system also eliminates exposure of liner retention hardware to the abrasive blast inside the housing by inserting the hardware from the outside of the housing to hold the liners in position against the internal labyrinth ledges on the housing side walls.



| THREE PIECE LL<br>WHEEL HOUSING LINER SYSTEMS                                     |               |               |
|---|---------------|---------------|
| LINER DESCRIPTION   | 25BD150 WHEEL | 25BD250 WHEEL |
| TOP CURVED LINER  | 677898        | 676186        |
| END LINER (2)   | 677901        | 676185        |
| COMPLETE SET<br>INCLUDES ALL LINERS,<br>BOLTS, SET SCREWS,<br>NUTS, WASHERS, ETC. | 695993        | 679079        |

## WHEELABRATOR BD WHEEL END LINERS

For extra protection in certain applications, longer end liners can be used to protect the wall or roof area from rapid wear. Check with your Wheelabrator representative for your particular machine.



| BD WHEEL HOUSING<br>AND LINERS |         |          |
|--------------------------------|---------|----------|
| PART NO.                       | LENGTH* | COMMENTS |
| 25BD130 WHEEL                  |         |          |
| 473808                         | 11.25"  | STANDARD |
| 473809                         | 16.94"  | STANDARD |
| 473810                         | 20.44"  | STANDARD |
| 496022                         | 14.75"  | OPTIONAL |
| 25BD150 WHEEL                  |         |          |
| 677901                         | 15.75"  | STANDARD |
| 686310                         | 23.00"  | STANDARD |
| 719087                         | 16.75"  | OPTIONAL |
| 719708                         | 17.50"  | OPTIONAL |
| 693467                         | 18.00"  | OPTIONAL |
| 689572                         | 22.00"  | OPTIONAL |
| 25BD250 WHEEL                  |         |          |
| 676185                         | 18.75"  | STANDARD |
| 729505                         | 23.00"  | OPTIONAL |

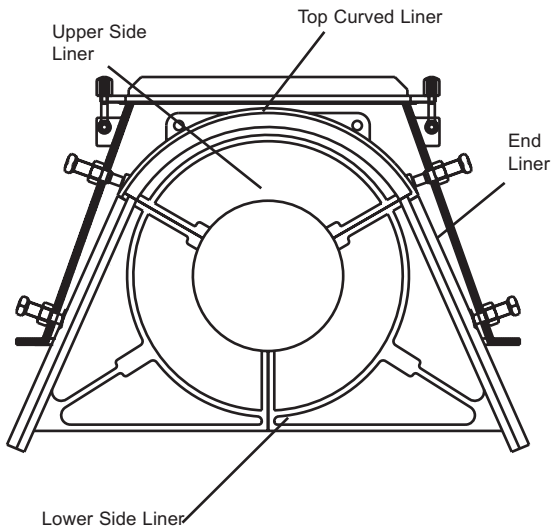
\*These are nominal lengths



# WHEEL GUARD HOUSING LINING SYSTEM PARTS

## WHEELABRATOR® WIDE WHEEL (5") R & BDR 9 PIECE WHEEL HOUSING LINER SYSTEM

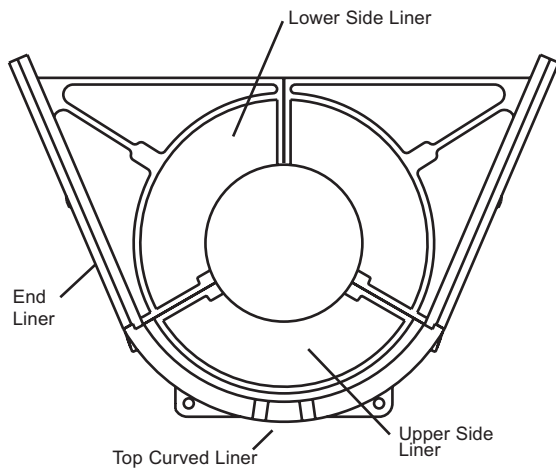
Protect your R & BDR wheel guard housing with a Long-Lyfe® (LL) system utilizing a curved top liner with side liners and end liners for effective protection of the housing. This system eliminates liner hardware exposure to the abrasive blast inside the housing by using threaded inserts cast into the outside of the side liners. Side liners are then bolted to the housing from the outside and the in-line curved top liner and end liners are held in position with special threaded jack screws.



| NINE PIECE LL DOWNBLAST WHEEL HOUSING LINER SYSTEMS                      |                  |                    |                    |
|--|------------------|--------------------|--------------------|
| LINER DESCRIPTION  | 50R210 DOWNBLAST | 50BDR250 DOWNBLAST | 50BDR250 DOWNBLAST |
| TOP CURVED LINER (*STANDARD "R" WHEEL)                                   | 408118*          | 697666             | 685819             |
| END LINER (2)  | 408119           | 691200             | 685826             |
| UPPER SIDE LINER (2)   | 408115           | 408115             | 408115             |
| LOWER SIDE LINER (2)   | 408116           | 408116             | 408116             |
| LOWER SIDE LINER (2)   | 408117           | 408117             | 408117             |
| TOP LINER SEAL   | 426856           | 426856             | 426856             |
| COMPLETE SET INCLUDES ALL LINERS, BOLTS, SET SCREWS, NUTS, WASHERS, ETC. | 488472           | 733545             | N/A                |

## WHEELABRATOR R & BDR UPBLAST

Protect your upblast "R" or "BDR" wheel system with Long-Lyfe liners utilizing a curved top liner, side liners and in-line end liners for effective protection of the housing. The system eliminates liner mounting hardware exposure to the abrasive blast inside the housing by using threaded inserts cast into the outside of the side liners. Liners are then bolted to the housing from the outside. Top liners are supported by a special bracket. Top curved liners are equipped with abrasive drain holes.



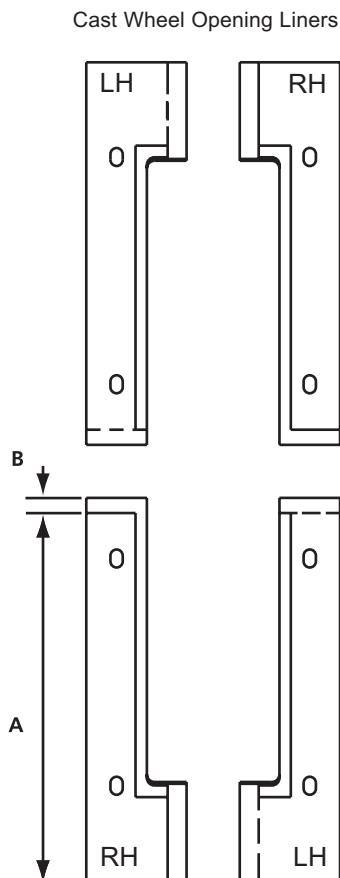
| NINE PIECE LL UPBLAST WHEEL HOUSING LINER SYSTEMS                        |                |                  |
|--|----------------|------------------|
| LINER DESCRIPTION  | 50R210 UPBLAST | 50BDR250 UPBLAST |
| TOP CURVED LINER (WITH DRAIN HOLES)                                      | 691310         | 691199           |
| END LINER (2)  | 408119         | 691200           |
| UPPER SIDE LINER (2)   | 408115         | 408115           |
| LOWER SIDE LINER (2)   | 408116         | 408116           |
| LOWER SIDE LINER (2)   | 408117         | 408117           |
| TOP LINER SEAL   | 426856         | 426856           |
| COMPLETE SET INCLUDES ALL LINERS, BOLTS, SET SCREWS, NUTS, WASHERS, ETC. | 733581         | 733582           |

# WHEEL OPENING LINERS

## RADIALOK™ (RLM) CAST WHEEL OPENING LINERS

The area around the wheel openings in the blast compartment may be protected from rebound shot with a four piece liner set. These liners are cast Long-Lyfe® with ship-lapped joints. The “L” shaped four piece system can be replaced without removing the wheel or cabinet liners.

Adding these liners, requires field measurement of the existing internal cabinet wheel openings for selection of the proper liner components. All wheel openings are not the same. Clearances on each side, above and below the opening, are critical to a proper fit and protection. Review requirements with your customer service representative before ordering.



| RLM CAST WHEEL OPENING LINERS |                       |             |                    |
|-------------------------------|-----------------------|-------------|--------------------|
| RIGHT HAND PART NO.           | LENGTH TO LAP JOINT A | LAP JOINT B | LEFT HAND PART NO. |
| 488328                        | 18.75"                | 1.25"       | 490039             |
| 491672                        | 19.00"                | 1.25"       | 491673             |
| 491674                        | 19.50"                | 1.25"       | 491675             |
| 491676                        | 20.06"                | 1.25"       | 491677             |
| 488568                        | 20.38"                | 1.25"       | 490040             |
| 491678                        | 21.00"                | 1.25"       | 491679             |
| 488146                        | 21.25"                | 1.25"       | 490038             |
| 488569                        | 21.63"                | 1.25"       | 490041             |
| 491246                        | 22.00"                | 1.25"       | 491247             |
| 491680                        | 22.38"                | 1.25"       | 491681             |
| 491682                        | 23.50"                | 1.25"       | 491683             |
| 488121*                       | 24.00"                | 1.25"       | 490037*            |
| 491652                        | 19.25"                | 1.00"       | 491653             |
| 491654                        | 19.50"                | 1.00"       | 491655             |
| 491656                        | 20.56"                | 1.00"       | 491657             |
| 491658                        | 21.00"                | 1.00"       | 491659             |
| 491660                        | 21.50"                | 1.00"       | 491661             |
| 491662                        | 21.75"                | 1.00"       | 491663             |
| 491664                        | 22.50"                | 1.00"       | 491665             |
| 491666                        | 22.75"                | 1.00"       | 491667             |
| 491668                        | 23.00"                | 1.00"       | 491669             |
| 491670                        | 24.00"                | 1.00"       | 491671             |

\*Standard stock size

# WHEEL GUARD HOUSING LINER CONVERSIONS

## WHEELABRATOR® ORIGINAL STYLE HINGED & SECTIONAL GUARD HOUSING LINERS

Original style housings and liner systems used many mild steel liners that are replaceable with Long-Lyfe® cast lining components. If you still have these old systems you can upgrade your liner system with the charts provided here covering the original Hinged Guard Housing and the later model Sectional Guard Housing.

To order genuine Wheelabrator replacement liners with the Long-Lyfe cast construction you must start with the mild steel part number in your Wheelabrator Operator & Maintenance Manual. Use the following table where the Long-Lyfe numbers are listed in the right column and the mild steel numbers are listed in the left column.



| HINGED GUARD HOUSING |                       |  |
|----------------------|-----------------------|--|
| OBSOLETE PART NO.    | DESCRIPTION           | LONG-LYFE PART NO.                                       |
| 16953                | CIRCULAR DEFLECTOR    | 144447   |
| 16995*               | TOP LINER             | § { 144452 (2)<br>144475 (1)<br>144476 (1)               |
| 16996*               | FRONT OR BACK PLATE   | ‡ { 144455 (2)<br>144810 (2)<br>144456 (2)<br>144811 (2) |
| 36430                | GUARD DEFLECTOR       | NOT REQUIRED WHERE LONG-LYFE LINERS ARE USED             |
| 36431*               | AUXILIARY WEAR PLATES | § (SEE FOOTNOTE)   |
| 37008                | CIRCULAR DEFLECTOR    | 144467   |
| 38045*               | FRONT OR BACK PLATE   | ³ { 144448 (2)<br>144449 (1)<br>144450 (2)               |
| 38047*               | TOP LINER             | • { 144996 (1)   |
| 38048*               | AUXILIARY TOP PLATE   | • { 144451 (1)<br>144453 (2)                             |
| 38051                | GUARD DEFLECTOR       | NOT REQUIRED WHERE LONG-LYFE LINERS ARE USED             |
| 38071                | SIDE LINER PLATE      | 150331   |
| 38828                | LOWER LEFT DEFLECTOR  | 130267   |
| 38830                | LOWER END LINER       | 130270   |
| 38832                | LOWER END LINER       | 130257   |

| SECTIONAL GUARD HOUSING |                              |                              |
|-------------------------|------------------------------|------------------------------|
| OBSOLETE PART NO.       | DESCRIPTION                  | LONG-LYFE PART NO.           |
| 39070                   | FRONT LINER PLATE            | 147834                       |
| 39071                   | REAR LINER SEGMENT           | ¶ { 153837 (1)<br>153838 (1) |
| 2353                    | SIDE COVER LINER             | 144457                       |
| 42379                   | TOP LINER                    | 131966                       |
| 42380                   | AUXILIARY WEAR PLATE         |                              |
| 42767                   | CIRCULAR DEFLECTOR           | 133078                       |
| 42798                   | END LINER                    | 133079                       |
| 43440                   | SIDE COVER LINER (CAGE SIDE) | 144812                       |
| 43441                   | SIDE COVER LINER (HUB SIDE)  | 144813                       |
| 43470                   | TOP LINER                    | 135488                       |
| 43471                   | AUXILIARY WEAR PLATE         |                              |
| 44173                   | UPPER END LINER              | 130276                       |
| 44393                   | DEFLECTOR PLATE              | 144458                       |
| 44685                   | DEFLECTOR PLATE              | 130269                       |
| 44788                   | LOWER END LINER              | 130073                       |
| 44804                   | UPPER END LINER              | 130074                       |
| 44864                   | LOWER END LINER              | 136769                       |
| 44877                   | LOWER END LINER              | 136768                       |
| 45122                   | TOP LINER                    | 136797                       |
| 45289                   | DEFLECTOR PLATE              | 130264                       |
| 45671                   | SIDE COVER LINER             | 144463                       |
| 45673                   | TOP LINER                    | 133080                       |
| 45674                   | AUXILIARY WEAR PLATE         |                              |
| 46199                   | SIDE COVER LINER             | 144472                       |
| 46227                   | LOWER SIDE LINER             | 144473                       |

\* Requires special drilling of the wheel housing for assembly  
 § Replaces part numbers 16995 and 36431  
 ‡ Quantities shown, replace part number 16996  
 • Quantities shown, replace part numbers 38047 and 38048  
 ³ Quantities shown, replace part number 38045

¶ Replaces part number 39071

# WHEEL GUARD HOUSING LINER CONVERSIONS



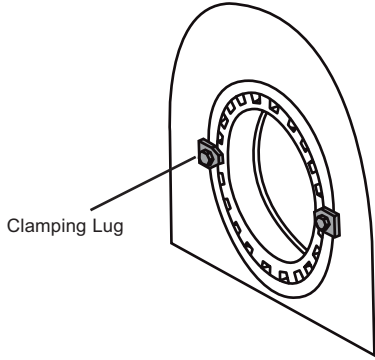
| SECTIONAL GUARD HOUSING |                                   |                    |                   |                        |                    |
|-------------------------|-----------------------------------|--------------------|-------------------|------------------------|--------------------|
| OBSOLETE PART NO.       | DESCRIPTION                       | LONG-LYFE PART NO. | OBSOLETE PART NO. | DESCRIPTION            | LONG-LYFE PART NO. |
| 46228                   | LOWER SIDE LINER                  | 144474             | 77111             | CIRCULAR DEFLECTOR     | 136546             |
| 46633                   | UPPER END LINER                   | 130274             | 77112             | CIRCULAR DEFLECTOR     | 137435             |
| 46634                   | UPPER END LINER                   | 130273             | 82742             | SIDE LINER             | 158518             |
| 46716                   | SIDE COVER LINER                  | 144464             | 84108             | BACK SIDE LINER        | 146304             |
| 46720                   | CIRCULAR DEFLECTOR                | 134064             | 84109             | BACK SIDE LINER        | 146305             |
| 48797                   | SIDE COVER LINER                  | 144466             | 84266             | LOWER END LINER        | 130073             |
| 48798                   | TOP LINER                         | 136545             | 86581             | LOWER END LINER        | 144994             |
| 48934                   | OUTSIDE END LINER                 | 130275             | 86582             | LOWER END LINER        | 144993             |
| 48935                   | INSIDE END LINER                  | 130271             | 92094             | LOWER SIDE LINER       | 144995             |
| 48936                   | LOWER END LINER                   | 130084             | 93423             | LOWER SIDE LINER       | 142794             |
| 50071                   | LOWER END LINER                   | 130073             | 94387             | LOWER SIDE LINER       | 144469             |
| 50576                   | LOWER END LINER                   | 130083             | 95894             | LOWER SIDE LINER       | 144454             |
| 50577                   | DEFLECTOR PLATE                   | 130268             | 95978             | LOWER SIDE LINER       | 144471             |
| 50578                   | UPPER END LINER                   | 130272             | 95979             | LOWER SIDE LINER       | 144470             |
| 50604 }<br>50606 }      | TOP LINER<br>AUXILIARY WEAR PLATE | 133212             | 103424            | LOWER SIDE LINER       | 145585             |
| 50681                   | UPPER END LINER                   | 136766             | 104929            | FRONT SIDE LINER       | 146306             |
| 50682                   | UPPER END LINER                   | 136767             | 104930            | FRONT SIDE LINER       | 146303             |
| 54642                   | DEFLECTOR PLATE                   | 130072             | 105827            | LOWER END LINER        | 136332             |
| 55847 }<br>55848 }      | TOP LINER<br>AUXILIARY WEAR PLATE | 133213             | 106740            | LOWER SIDE LINER       | 144995             |
| 55966                   | END WEAR PLATE                    | 149613             | 108824            | LOWER SIDE LINER       | 144465             |
| 56552                   | END LINER                         | 139058             | 112951            | LOWER SIDE LINER       | 144468             |
| 58907                   | LOWER SIDE LINER                  | 142794             | 113181            | RUBBER FACED END LINER | 169657             |
| 64875                   | OUTSIDE END LINER                 | 148104             | 113471            | LOWER SIDE LINER       | 145734             |
| 64876                   | INSIDE END LINER                  | 148275             | 113905            | LOWER SIDE LINER       | 144993             |
| 67044                   | FRONT WEAR PLATE                  | 16966              | 113906            | LOWER SIDE LINER       | 144994             |
| 72662                   | LOWER SIDE LINER                  | 144470             | 117240            | FRONT SIDE LINER       | 146306             |
| 72663                   | LOWER SIDE LINER                  | 144470             | 117241            | FRONT SIDE LINER       | 146303             |
| 73543                   | PIN FOR END LINER                 | 148517             | 123079            | LINER END CASTING      | 146881             |
| 73875                   | LOWER SIDE LINER                  | 144817             | 149619            | END LINER              | 149618             |
| 73876                   | LOWER SIDE LINER                  | 144815             | 151124            | LOWER END LINER        | 153744             |
| 73877                   | LOWER SIDE LINER                  | 144817             | 151126            | DEFLECTOR              | 153745             |
| 73878                   | LOWER SIDE LINER                  | 144815             | 151127            | AUXILIARY END LINER    | 153743             |
|                         |                                   |                    | 156041            | LOWER END LINER        | 167453             |

# BLAST WHEEL COMPONENTS

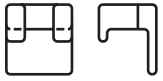
## CLAMPING LUGS FOR SECURING CONTROL CAGE TO BLAST WHEEL HOUSING

Clamping lugs are essential for maintaining a securely positioned control cage in the blast wheel housing. Check the styles and chart below for the lugs to fit your wheel style.

A loose or incorrectly positioned cage will cause longer blast cycles and accelerate wear on wheel housing liners. Use the proper clamp for your wheel for best results.



| CLAMPING LUGS |          |                         |
|---------------|----------|-------------------------|
| STYLE         | PART NO. | WHERE USED              |
| A             | 93425    | G, Q AND OLDER WHEELS   |
| B             | 153918   | M AND RLM WHEELS        |
| C             | 452160   | RLM WHEELS              |
| D             | 471187   | BD AND BD EZEFIT WHEELS |
| E             | 476846   | RLM WHEELS              |



A



B



C



D



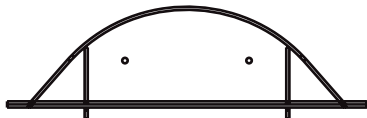
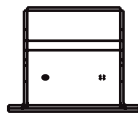
E

## WHEEL HOUSING COVERS - (SLL) MANGANESE

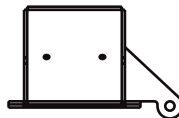
Replacement wheel housing covers for standard Tumblasts, older model table machines and special machines using the sectional type wheel housing.



A



B



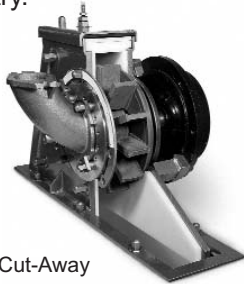
| WHEEL HOUSING COVERS |            |        |
|----------------------|------------|--------|
| STYLE                | MILD STEEL | SLL    |
| A                    | 42208      | 275980 |
| B                    | 42758      | 401405 |

# BCP BLAST WHEEL ASSEMBLIES

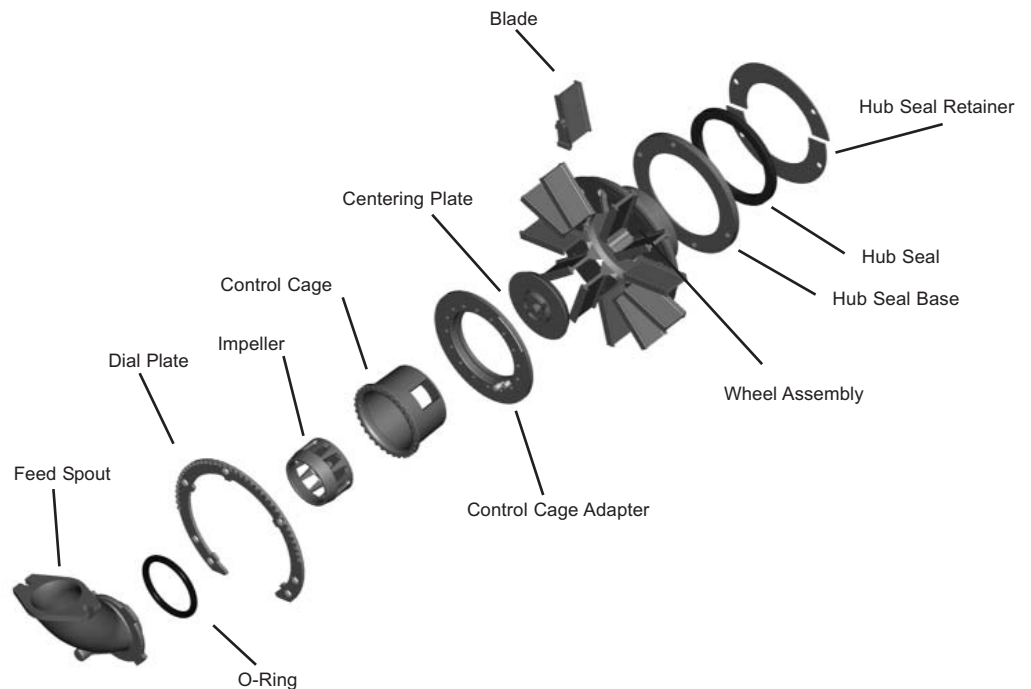
## AUTOBLAST® SERIES WHEEL

All BCP Blast Wheels are bi-directional, which allows them to be run in either direction. This feature allows blast machines to have multiple wheels that use the same internal parts, thus eliminating the cost or necessity of stocking parts for both CW and CCW wheels. These wheels are offered in 13.00", 15.00", 17.00", 19.50" and 26.50" diameter sizes.

Wheelabrator Group pioneered this technology and offers both high quality and cutting edge products in the industry.

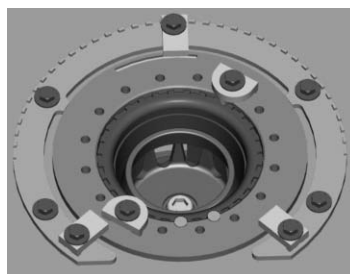


Wheel Cut-Away



## RADIAL TARGETLOK

The innovative Targetlok® system prevents mismatch of parts. It also assures the control cage will always be inserted in exactly the same location as the preceding setting after replacing blades, impeller, or the control cage.



# BCP WHEEL TUNE-UP KITS



These kits include everything needed to restore your BCP® blast wheel to top performance.

## BCP WHEEL TUNE - UP KIT PARTS

| KIT NO. | WHEEL TYPE       | BLADE   | NO. BLADES | OPENING | CAGE    | IMPELLER | IMPELLER BOLT | LOCK WASHER | RING   |
|---------|------------------|---------|------------|---------|---------|----------|---------------|-------------|--------|
| C60015  | 12.50"           | C18768  | 8          | 37 DEG  | C52127  | C49477   | C20351        | C20352      | C20354 |
| C60016  | 12.50"           | C18768  | 8          | 49 DEG  | C52128  | C49477   | C20351        | C20352      | C20354 |
| C60017  | 12.50"           | C18768  | 8          | 70 DEG  | C52129  | C49477   | C20351        | C20352      | C20354 |
| C60018  | 15.00"           | C13068  | 8          | 37 DEG  | C52127  | C49477   | C20351        | C20352      | C20354 |
| C60019  | 15.00"           | C13068  | 8          | 49 DEG  | C52128  | C49477   | C20351        | C20352      | C20354 |
| C60020  | 15.00"           | C13068  | 8          | 70 DEG  | C52129  | C49477   | C20351        | C20352      | C20354 |
| C60021  | 17.00"           | C37153  | 8          | 37 DEG  | C52127  | C49477   | C20351        | C20352      | C20354 |
| C60022  | 17.00"           | C37153  | 8          | 49 DEG  | C52128  | C49477   | C20351        | C20352      | C20354 |
| C60023  | 17.00"           | C37153  | 8          | 70 DEG  | C52129  | C49477   | C20351        | C20352      | C20354 |
| C60024  | 24.00"           | C18734  | 8          | 37 DEG  | C52127  | C49477   | C20351        | C20352      | C20354 |
| C60025  | 24.00"           | C18734  | 8          | 49 DEG  | C52128  | C49477   | C20351        | C20352      | C20354 |
| C60026  | 24.00"           | C18734  | 8          | 70 DEG  | C52129  | C49477   | C20351        | C20352      | C20354 |
| C60027  | 26.50"           | C30084  | 8          | 37 DEG  | C52127  | C49477   | C20351        | C20352      | C20354 |
| C60028  | 26.50"           | C30084  | 8          | 49 DEG  | C52128  | C49477   | C20351        | C20352      | C20354 |
| C60029  | 26.50"           | C30084  | 8          | 70 DEG  | C52129  | C49477   | C20351        | C20352      | C20354 |
| C60030  | 12.50"           | C60045  | 12         | 37 DEG  | C52127  | C57531   | C20351        | C20352      | C20354 |
| C60031  | 12.50"           | C60045  | 12         | 49 DEG  | C52128  | C57531   | C20351        | C20352      | C20354 |
| C60032  | 12.50"           | C60045  | 12         | 70 DEG  | C52129  | C57531   | C20351        | C20352      | C20354 |
| C60033  | 15.00"           | C60046  | 12         | 37 DEG  | C52127  | C57531   | C20351        | C20352      | C20354 |
| C60034  | 15.00"           | C60046  | 12         | 49 DEG  | C52128  | C57531   | C20351        | C20352      | C20354 |
| C60035  | 15.00"           | C60046  | 12         | 70 DEG  | C52129  | C57531   | C20351        | C20352      | C20354 |
| C60036  | 17.00"           | C84431  | 12         | 37 DEG  | C52127  | C57531   | C20351        | C20352      | C20354 |
| C60037  | 17.00"           | C84431  | 12         | 49 DEG  | C52128  | C57531   | C20351        | C20352      | C20354 |
| C60038  | 17.00"           | C84431  | 12         | 70 DEG  | C52129  | C57531   | C20351        | C20352      | C20354 |
| C60039  | 24.00"           | C60048  | 12         | 37 DEG  | C52127  | C57531   | C20351        | C20352      | C20354 |
| C60040  | 24.00"           | C60048  | 12         | 49 DEG  | C52128  | C57531   | C20351        | C20352      | C20354 |
| C60041  | 24.00"           | C60048  | 12         | 70 DEG  | C52129  | C57531   | C20351        | C20352      | C20354 |
| C60042  | 26.50"           | C60049  | 12         | 37 DEG  | C52127  | C57531   | C20351        | C20352      | C20354 |
| C60043  | 26.50"           | C60049  | 12         | 49 DEG  | C52128  | C57531   | C20351        | C20352      | C20354 |
| C60044  | 26.50"           | C60049  | 12         | 70 DEG  | C52129  | C57531   | C20351        | C20352      | C20354 |
| C62008  | 15.00" HYDRAULIC | C13068  | 8          | 49 DEG  | C52128  | C49477   | C18742        | C20352      | C20354 |
| C62007  | 15.00" HYDRAULIC | C13068  | 8          | 70 DEG  | C52129  | C49477   | C18742        | C20352      | C20354 |
| C96687  | 13.00"           | C89798  | 12         | 37 DEG  | C52127  | C57531   | C20351        | C20352      | C20354 |
| C96688  | 13.00"           | C89798  | 12         | 49 DEG  | C52128  | C57531   | C20351        | C20352      | C20354 |
| C96689  | 13.00"           | C89798  | 12         | 70 DEG  | C52129  | C57531   | C20351        | C20352      | C20354 |
| C102648 | 19.50"           | C59566  | 12         | 49 DEG  | C52128  | C57531   | C20351        | C20352      | C20354 |
| C109776 | 13.50" V-GROOVE  | C89590  | 12         | 37 DEG  | C102028 | C57531   | C20351        | C20352      | C20354 |
| C109777 | 13.50" V-GROOVE  | C89590  | 12         | 49 DEG  | C102127 | C57531   | C20351        | C20352      | C20354 |
| C109778 | 13.50" V-GROOVE  | C89590  | 12         | 70 DEG  | C102129 | C57531   | C20351        | C20352      | C20354 |
| C109705 | 15.00" V-GROOVE  | C104897 | 12         | 37 DEG  | C102028 | C57531   | C20351        | C20352      | C20354 |

**BCP WHEEL TUNE - UP KIT PARTS (cont.)**

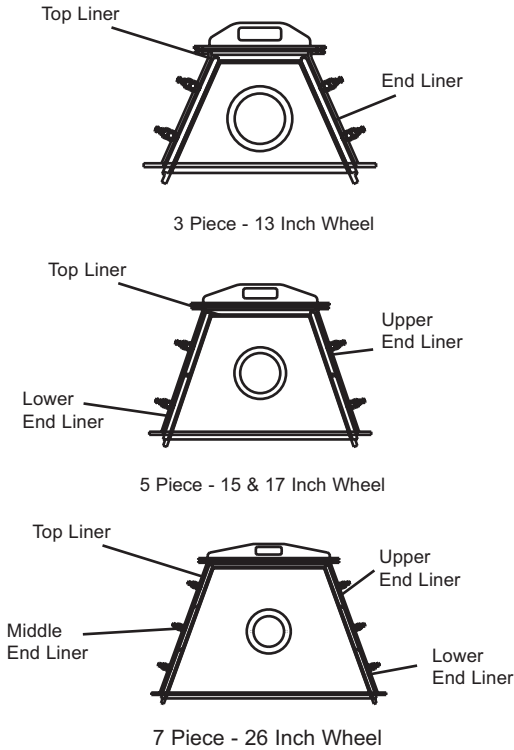
| KIT NO. | WHEEL TYPE               | BLADE   | NO. BLADES | OPENING | CAGE    | IMPELLER | IMPELLER BOLT | LOCK WASHER | RING   |
|---------|--------------------------|---------|------------|---------|---------|----------|---------------|-------------|--------|
| C109706 | 15.00" V-GROOVE          | C104897 | 12         | 49 DEG  | C102127 | C57531   | C20351        | C20352      | C20354 |
| C109707 | 15.00" V-GROOVE          | C104897 | 12         | 70 DEG  | C102129 | C57531   | C20351        | C20352      | C20354 |
| C109779 | 17.00" V-GROOVE          | C104900 | 12         | 37 DEG  | C102028 | C57531   | C20351        | C20352      | C20354 |
| C109780 | 17.00" V-GROOVE          | C104900 | 12         | 49 DEG  | C102127 | C57531   | C20351        | C20352      | C20354 |
| C109781 | 17.00" V-GROOVE          | C104900 | 12         | 70 DEG  | C102129 | C57531   | C20351        | C20352      | C20354 |
| C109785 | 24.00" V-GROOVE          | C104903 | 12         | 37 DEG  | C102028 | C57531   | C20351        | C20352      | C20354 |
| C109786 | 24.00" V-GROOVE          | C104903 | 12         | 49 DEG  | C102127 | C57531   | C20351        | C20352      | C20354 |
| C109787 | 24.00" V-GROOVE          | C104903 | 12         | 70 DEG  | C102129 | C57531   | C20351        | C20352      | C20354 |
| C109788 | 26.50" V-GROOVE          | C104905 | 12         | 37 DEG  | C102028 | C57531   | C20351        | C20352      | C20354 |
| C109789 | 26.50" V-GROOVE          | C104905 | 12         | 49 DEG  | C102127 | C57531   | C20351        | C20352      | C20354 |
| C109790 | 26.50" V-GROOVE          | C104905 | 12         | 70 DEG  | C102129 | C57531   | C20351        | C20352      | C20354 |
| C110409 | 15.00" HYDRAULIC         | C60046  | 12         | 70 DEG  | C52129  | C57531   | C20351        | C20352      | C20354 |
| C111651 | 12.50" DOVE TAIL         | C106779 | 12         | 37 DEG  | C102028 | C57531   | C20351        | C20352      | C20354 |
| C111652 | 12.50" DOVE TAIL         | C106779 | 12         | 49 DEG  | C102127 | C57531   | C20351        | C20352      | C20354 |
| C111653 | 12.50" DOVE TAIL         | C106779 | 12         | 70 DEG  | C102129 | C57531   | C20351        | C20352      | C20354 |
| C176341 | 12.50" TAPERED DOVE TAIL | C113314 | 8          | 37 DEG  | C102028 | C49477   | C20351        | C20352      | C20354 |
| C176246 | 13.50" TAPERED DOVE TAIL | C113315 | 8          | 37 DEG  | C102028 | C49477   | C20351        | C20352      | C20354 |
| C155816 | 13.50" TAPERED DOVE TAIL | C113315 | 8          | 49 DEG  | C102127 | C49477   | C20351        | C20352      | C20354 |
| C118451 | 15.00" TAPERED DOVE TAIL | C113316 | 8          | 37 DEG  | C102028 | C49477   | C20351        | C20352      | C20354 |
| C115468 | 15.00" TAPERED DOVE TAIL | C113316 | 8          | 49 DEG  | C102127 | C49477   | C20351        | C20352      | C20354 |
| C155316 | 17.00" TAPERED DOVE TAIL | C113317 | 8          | 49 DEG  | C102127 | C49477   | C20351        | C20352      | C20354 |
| C159153 | 17.00" TAPERED DOVE TAIL | C113317 | 8          | 70 DEG  | C102129 | C49477   | C20351        | C20352      | C20354 |
| C171367 | 26.50" TAPERED DOVE TAIL | C113321 | 8          | 37 DEG  | C102028 | C49477   | C20351        | C20352      | C20354 |
| C162854 | 26.50" TAPERED DOVE TAIL | C113321 | 8          | 49 DEG  | C102127 | C49477   | C20351        | C20352      | C20354 |
| C102647 | 19.50"                   | C59566  | 12         | 37 DEG  | C52127  | C57531   | C20351        | C20352      | C20354 |
| C102649 | 19.50"                   | C59566  | 12         | 70 DEG  | C52129  | C57531   | C20351        | C20352      | C20354 |
| C109782 | 19.50" V-GROOVE          | C104902 | 12         | 37 DEG  | C102028 | C57531   | C20351        | C20352      | C20354 |
| C109783 | 19.50" V-GROOVE          | C104902 | 12         | 49 DEG  | C102127 | C57531   | C20351        | C20352      | C20354 |
| C109784 | 19.50" V-GROOVE          | C104902 | 12         | 70 DEG  | C102129 | C57531   | C20351        | C20352      | C20354 |
| C111625 | 12.50"                   | C106779 | 12         | 49 DEG  | C102127 | C57531   | 158063        | 165790      | 448251 |
| C111651 | 12.50"                   | C106779 | 12         | 37 DEG  | C102028 | C57531   | 158063        | 165790      | 448251 |
| C111653 | 12.50"                   | C106779 | 12         | 70 DEG  | C102129 | C57531   | 158063        | 165790      | 448251 |
| C113416 | 15.00"                   | C060046 | 12         | 49 DEG  | C102127 | C57531   | C20351        | C20352      | C20354 |
| C115955 | 13.50"                   | C115958 | 8          | 37 DEG  | C52127  | C49477   | C20351        | C20352      | C20354 |
| C115956 | 13.50"                   | C115958 | 8          | 49 DEG  | C52128  | C49477   | C20351        | C20352      | C20354 |
| C115957 | 13.50"                   | C115958 | 8          | 70 DEG  | C52129  | C49477   | C20351        | C20352      | C20354 |
| C116254 | 12.50"                   | C18768  | 8          | 37 DEG  | C52127  | C49477   | C20351        | C20352      | C20354 |
| C118755 | 15.00"                   | C104897 | 12         | 49 DEG  | C52128  | C57531   | C20351        | C20352      | C20354 |
| C118823 | 15.00"                   | C104897 | 12         | 49 DEG  | C52128  | C57531   | C20351        | C20352      | C20354 |
| C119249 | 15.00"                   | C118761 | 12         | 37 DEG  | C118786 | C118790  | C20351        | C20352      | C20354 |
| C123868 | 15.00"                   | C60046  | 12         | 37 DEG  | C102028 | C57531   | C20351        | C20352      | C20354 |
| C134847 | 15.00"                   | C104897 | 12         | 70 DEG  | C102129 | C57531   | C18742        | C20352      | C20354 |
| C134973 | 15.00"                   | C104897 | 12         | 37 DEG  | C102028 | C57531   | C18742        | C20352      | C20354 |
| C139800 | 15.00"                   | C13068  | 8          | 49 DEG  | C52128  | C49477   | C20351        | C20352      | C20354 |
| C176931 | 15.00"                   | C13068  | 8          | 49 DEG  | 441985  | 414370   | 158063        | 165790      | 448251 |
| C178831 | 12.50"                   | C18768  | 8          | 70 DEG  | 414371  | 414370   | 158063        | 165790      | 448251 |
| C179273 | 15.00"                   | C13068  | 8          | 100 DEG | 444472  | 414370   | 158063        | 165790      | 448251 |



# BCP GUARD HOUSING LINING SYSTEM PARTS

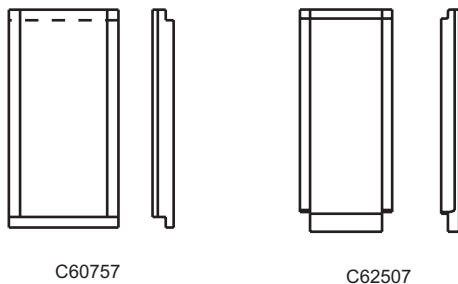
## BCP® CAST MANGANESE WHEEL HOUSING LINER SYSTEM

All liners are made of high quality materials for longer life. They are also made with ease of installation in mind. The liners can be installed from either the top or the bottom of the blast wheel. Wherever the wheel is mounted on the blast machine, maintenance is quicker and easier.



| WHEEL HOUSING LINERS<br>(CAST MANGANESE)                                 |               |                    |               |
|--|---------------|--------------------|---------------|
| LINER DESCRIPTION  | 13 INCH WHEEL | 15 & 17 INCH WHEEL | 26 INCH WHEEL |
| TOP LINER  | C87402        | C59036             | C59039        |
| END LINER (2)  | C87327        | *                  | *             |
| UPPER END LINER (2)  | *             | C126618            | C60756        |
| MIDDLE END LINER (2)   | *             | *                  | C60757        |
| LOWER END LINER (2)  | *             | C62507             | C62507        |
| RUBBER LINER   | C127226       | C126626            | C137379       |
| LINER BOLT ASSEMBLY  | C75312 (4)    | C75312 (4)         | C75312 (6)    |
| COMPLETE SET INCLUDES ALL LINERS, BOLTS, SET SCREWS, NUTS, WASHERS, ETC. | C127213       | C126607            | C88556        |

\*Not needed with this housing



| CAST MANGANESE HOUSING<br>END LINERS |         |                  |
|--------------------------------------|---------|------------------|
| PART NO.                             | LENGTH* | TYPE WHEEL       |
| C60756                               | 9.81"   | 26.50"           |
| C60757                               | 10.19"  | 26.50"           |
| C126618                              | 10.88"  | 15.00" & 17.00"  |
| C62507                               | 12.25"  | 15.00" TO 26.50" |
| C87327                               | 17.18"  | 13.00"           |

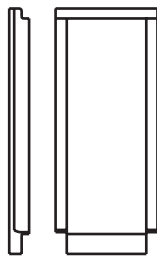
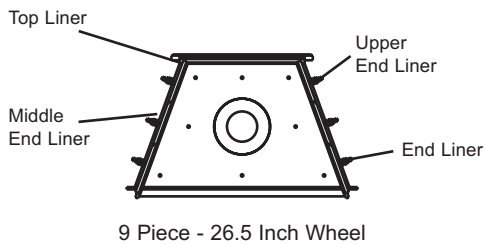
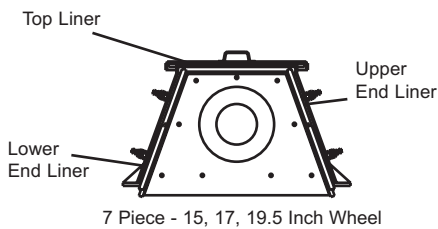
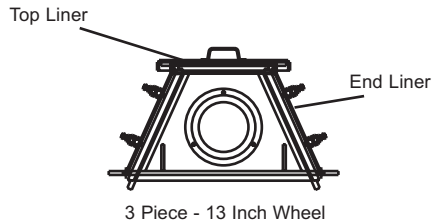
\*These are nominal lengths

For extra protection in certain applications, a longer end liner can be used to protect the wall or roof area from rapid wear.

# BCP GUARD HOUSING LINING SYSTEM PARTS

## BCP® WELDED MANGANESE WHEEL HOUSING LINER SYSTEMS

All of our liners are made of high quality materials for longer life. They are also made with ease of installation in mind. The top, middle and end liners can be installed from either the top or the bottom of the blast wheel. Thus, no matter where the wheel is mounted on the blast machine, maintenance is quicker and easier. We also offer spout and hub side liners for the 15.00" to 26.50" wheel housings.



| WHEEL HOUSING LINERS<br>(WELDED MANGANESE) |                  |                  |                  |                    |                    |
|--|------------------|------------------|------------------|--------------------|--------------------|
| LINER DESCRIPTION                          | 13 INCH<br>WHEEL | 15 INCH<br>WHEEL | 17 INCH<br>WHEEL | 19.5 INCH<br>WHEEL | 26.5 INCH<br>WHEEL |
| TOP LINER                                  | C87402           | C59036           | C59036           | C89592             | C59039             |
| END LINER (2)                              | C87327           | *                | *                | *                  | *                  |
| UPPER END LINER (2)                        | *                | C60756           | C60756           | C60756             | C60756             |
| MIDDLE END LINER (2)                       | *                | *                | *                | *                  | C60757             |
| LOWER END LINER (2)                        | *                | C62507           | C62507           | C62507             | C62507             |
| SPOUT SIDE LINER                           | *                | C109693          | C109747          | C109747            | C109750            |
| HUB SIDE LINER                             | *                | C109981          | C109980          | C109980            | C109979            |
| RUBBER LINER                               | C96400           | C96401           | C96401           | C96401             | C96402             |
| LINER BOLT ASSEMBLY (4)                    | C75312           | C75312           | C75312           | C75312             | C75312             |

| WELDED MANGANESE HOUSING<br>END LINERS |         |                  |
|--|---------|------------------|
| PART NO.                               | LENGTH* | TYPE WHEEL       |
| C60756                                 | 9.81"   | 15.00" TO 19.50" |
| C60757                                 | 10.19"  | 26.50"           |
| C62507                                 | 12.25"  | 15.00" TO 26.50" |
| C87327                                 | 17.19"  | 13.00"           |

\*These are nominal lengths

For extra protection in certain applications a longer end liner can be used to protect the wall or roof area from rapid wear.



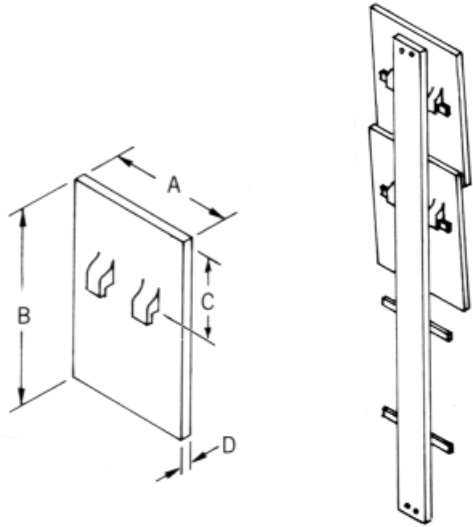
## BLAST CABINET REPLACEMENT PARTS

The blast cabinet requires wear protection from direct and rebound blast media. To insure optimal life of your cabinet, use the best material for your application. Cast Long-Lyfe®, Fabricated Supplemental Long-Lyfe (SLL), rubber and urethane products are available for your selection.

# BLAST CABINET WALL AND ROOF LINERS

## WHEELABRATOR BLAST CABINET LINER PARTS

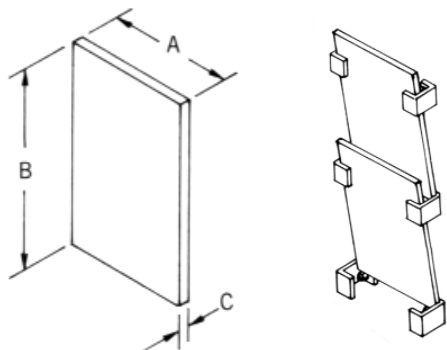
The internal blast cabinet receives direct exposure from the abrasive thrown by the wheel, resulting in high wear and rapid erosion of the blast cabinet surfaces. When partial or full lining of the cabinet is required, Wheelabrator has a Long-Lyfe® liner for the application. These liners are available in varying configurations (ship-lapped, slab-type, and hook-type) and can be mounted on the roof, vertical walls, sloped walls, hopper or on fixtures. Welding studs and cast Long-Lyfe nuts are also available for securing the liners to the cabinet.



Hook Type Liners

| HOOK TYPE LINERS       |            |        |       |       |                       |
|------------------------|------------|--------|-------|-------|-----------------------|
| MILD STEEL<br>PART NO. | DIMENSIONS |        |       |       | LONG-LYFE<br>PART NO. |
|                        | A          | B      | C     | D     |                       |
| N/A                    | 9.88"      | 18.00" | 5.00" | 1.00" | 150513                |
| N/A                    | 9.88"      | 21.00" | 5.00" | 1.00" | 150514                |
| N/A                    | 10.00"     | 14.00" | 6.00" | 0.38" | 150576                |
| N/A                    | 14.00"     | 14.00" | 6.00" | 0.38" | 148084                |
| 146676                 | 14.00"     | 14.00" | 6.00" | 1.00" | 138981                |
| 110358                 | 14.00"     | 18.00" | 5.00" | 1.00" | 145588                |
| N/A                    | 14.00"     | 22.00" | 9.25" | 0.50" | 209592                |
| 108063                 | 14.00"     | 22.00" | 9.25" | 1.00" | 135280                |
| 116455                 | 14.00"     | 26.50" | 5.00" | 1.00" | 145586                |
| 116454                 | 14.00"     | 28.00" | 5.00" | 1.00" | 145587                |
| N/A                    | 18.00"     | 14.00" | 6.00" | 0.50" | 238776                |
| N/A                    | 18.00"     | 18.00" | 5.00" | 0.50" | 238775                |
| N/A                    | 18.00"     | 22.00" | 9.25" | 0.50" | 238774                |
| N/A                    | 22.00"     | 17.00" | 7.00" | 1.00" | 206430*               |
| N/A                    | 24.00"     | 14.00" | 6.00" | 0.50" | 248619                |
| N/A                    | 24.00"     | 18.00" | 7.00" | 0.50" | 248392*               |

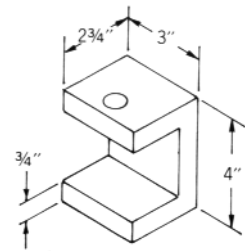
\*Made to order



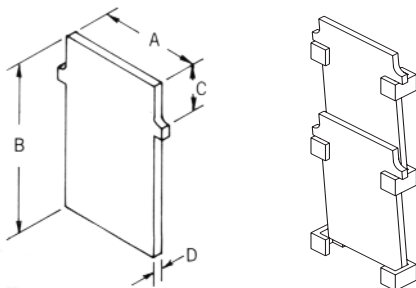
Slab Type Liners

| SLAB TYPE LINERS      |            |        |       |
|-----------------------|------------|--------|-------|
| LONG-LYFE<br>PART NO. | DIMENSIONS |        |       |
|                       | A          | B      | C     |
| 147609*               | 6.00"      | 34.00" | 1.00" |
| 147618                | 11.00"     | 14.00" | 1.00" |
| 148710                | 11.00"     | 17.50" | 1.00" |
| 156564*               | 12.00"     | 18.00" | 1.00" |
| 147610*               | 12.00"     | 21.00" | 1.00" |
| 147608                | 12.00"     | 23.00" | 1.00" |

\*Made to order



Liner Support Fixture  
Part No. 153219  
(not shown in chart)



Ear Type Liners

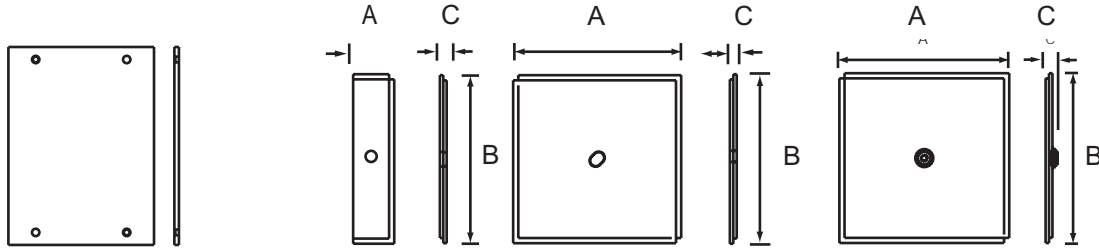
| EAR TYPE LINERS        |            |        |       |       |                       |
|------------------------|------------|--------|-------|-------|-----------------------|
| MILD STEEL<br>PART NO. | DIMENSIONS |        |       |       | LONG-LYFE<br>PART NO. |
|                        | A          | B      | C     | D     |                       |
| 68524                  | 14.00"     | 29.00" | 8.00" | 1.00" | 149839                |
| N/A                    | 14.00"     | 18.00" | 4.50" | 1.00" | 168903                |

# WHEELABRATOR WALL AND ROOF LINERS

## WHEELABRATOR® BLAST LINER PARTS (cont.)

Selection of the best liner components requires an understanding of your basic machine configuration and the wear characteristics of the abrasive being used for your surface finishing operation. Consult with your Customer Service Representative to make the best choice for your operation.

All Long-Lyfe® cabinet liners are designed for rapid, inexpensive installation, and are made in convenient sizes and shapes especially designed for Wheelabrator applications. Long-Lyfe cabinet liners are interchangeable. Should one wear out, its identical replacement can be ordered by part number.

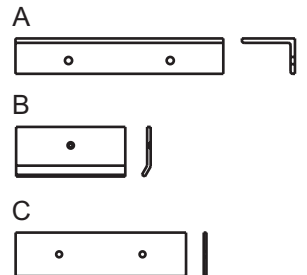


| SQUARE EDGE<br>LONG - LYFE LINERS |        |              |                       |
|-----------------------------------|--------|--------------|-----------------------|
| A                                 | B      | HOLE<br>SIZE | LONG-LYFE<br>PART NO. |
| 3.50"                             | 30.00" | 0.56"        | 155852*               |
| 5.75"                             | 15.50" | 0.81"        | 148646*               |
| 7.00"                             | 9.00"  | 0.81"        | 167639*               |
| 7.00"                             | 14.94" | 0.81"        | 167630*               |
| 7.50"                             | 14.94" | 0.81"        | 167641*               |
| 8.50"                             | 12.00" | 0.81"        | 148605                |
| 8.87"                             | 11.19" | 0.81"        | 167636*               |
| 9.75"                             | 14.94" | 0.81"        | 167629*               |
| 10.62"                            | 13.63" | 0.81"        | 148650*               |
| 10.75"                            | 12.25" | 0.81"        | 148612                |
| 10.87"                            | 11.75" | 0.81"        | 167642*               |
| 11.00"                            | 11.00" | 0.81"        | 148637                |
| 11.75"                            | 13.63" | 0.81"        | 148604                |
| 13.19"                            | 13.63" | 0.81"        | 148649*               |
| 13.87"                            | 17.00" | 0.81"        | 160912*               |
| 14.75"                            | 26.75" | 0.56"        | 154072                |
| 16.00"                            | 21.75" | 0.63"        | 153742*               |

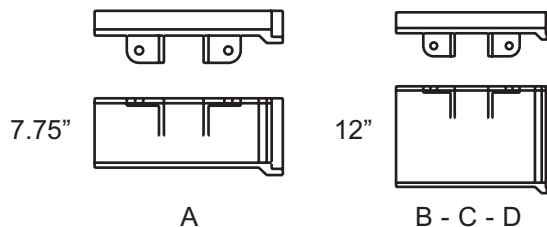
| SHIP LAP LINERS    |        |        |        |       |
|--------------------|--------|--------|--------|-------|
| LONG-LYFE PART NO. |        | A      | B      | C     |
| 215581             | 148610 | 2.00"  | 12.00" | 0.50" |
| 213888             | 213887 | 3.00"  | 12.00" | 0.50" |
| 257280             | 257281 | 4.00"  | 12.00" | 0.50" |
| 205791             | 170148 | 5.00"  | 12.00" | 0.50" |
| 234096             | 234097 | 6.38"  | 12.00" | 0.50" |
| 223306             | N/A    | 12.00" | 12.00" | 0.50" |
| 288552             | N/A    | 12.00" | 12.00" | 1.00" |
| 728221*            | N/A    | 12.00" | 12.00" | 0.50" |

\*Threaded nut instead of diagonal slot

| LINER BAR |          |        |        |
|-----------|----------|--------|--------|
| STYLE     | PART NO. | LENGTH | HEIGHT |
| A         | 150574   | 23.50" | 6.00"  |
| B         | 148645   | 15.50" | 7.00"  |
| C         | 150575   | 23.50" | 6.00"  |



\*Made to order



| LONG-LYFE MONORAIL<br>CONVEYOR SLOT LINER |          |             |                 |             |
|---|----------|-------------|-----------------|-------------|
| STYLE                                     | PART NO. | DESCRIPTION | SIZE            | COMMENTS    |
| A   | 401528   | SLOT LINER  | 7.75" X 19.00"  | OVERLAP END |
| B   | 276148   | SLOT LINER  | 12.00" X 19.00" | OVERLAP END |
| C   | 497624   | SLOT LINER  | 12.00" X 18.00" | FLUSH END   |
| D   | 429075   | SLOT LINER  | 12.00" X 9.50"  | FLUSH END   |

# SUPPLEMENTAL LONG-LYFE (SLL) LINERS

## SUPPLEMENTAL (SLL) LINERS

Supplemental Long-Lyfe (SLL) is a grade of manganese steel particularly suited for use with steel shot (40-50 Rc) applications. SLL's work hardening characteristics make it last longer than mild steel when exposed to the impact of steel shot abrasive.

Many directly interchangeable parts (see chart below) are available for your Wheelabrator® equipment.

| CABINET - ROOF, WALL, HOPPER, DOOR, LINERS |                            |                    |                     |                    |                    |
|--|----------------------------|--------------------|---------------------|--------------------|--------------------|
| MILD STEEL PART NO.                        | DESCRIPTION                | MANGANESE PART NO. | MILD STEEL PART NO. | DESCRIPTION        | MANGANESE PART NO. |
| 63446                                      | CABINET ROOF LINER         | 266621             | 75941               | LINER              | 176320             |
| 65911                                      | IN-LINE LINER PLATE        | 203016             | 75942               | LINER              | 176321             |
| 75245                                      | ROOF LINER                 | 193277             | 77634               | LINER PLATE        | 187661             |
| 75246                                      | BACK WALL LINER            | 193276             | 77635               | LINER              | 187660             |
| 75247                                      | BACK WALL LINER            | 193280             | 77636               | LINER PLATE        | 187663             |
| 75250                                      | RH SIDE WALL LINER         | 181756             | 77637               | LINER              | 187665             |
| 75277                                      | REAR HOPPER LINER          | 193284             | 77638               | LINER              | 187666             |
| 75278                                      | REAR HOPPER LINER          | 193283             | 77639               | LINER              | 187667             |
| 75289                                      | FRONT HOPPER LINER         | 193282             | 77640               | ROOF LINER         | 187662             |
| 75290                                      | FRONT HOPPER LINER         | 193281             | 77641               | LINER              | 187664             |
| 75291                                      | ROOF LINER                 | 193278             | 77924               | REAR WALL LINER    | 187655             |
| 75292                                      | RH END HOPPER LINER        | 193275             | 77925               | BACK WALL LINER    | 187657             |
| 75293                                      | LH END HOPPER LINER        | 176090             | 77926               | LINER              | 187656             |
| 75591                                      | SIDE WALL LINER            | 181758             | 77927               | FRONT SIDE LINER   | 187658             |
| 75611                                      | CABINET ROOF LINER         | 193274             | 79244               | DOOR LINER         | 201801             |
| 75612                                      | CABINET ROOF LINER         | 193274             | 86364               | ROOF LINER         | 216137             |
| 75650                                      | CABINET BOTTOM LINER PLATE | 175378             | 86368               | LINER              | 199993             |
| 75807                                      | ROOF LINER PLATE           | 196239             | 94791               | RUBBER DOOR LINER  | 224378             |
| 75808                                      | ROOF LINER PLATE           | 196240             | 94907               | ROOF LINER         | 199713             |
| 75934                                      | LINER                      | 176346             | 97990               | CABINET WALL LINER | 194623             |
| 75935                                      | LINER                      | 176347             | 108095              | ROOF LINER PLATE   | 224940             |
| 75936                                      | LINER                      | 176348             | 110358              | ROOF LINER         | 210344             |
| 75937                                      | ROOF LINER                 | 176349             | 200430              | TOP DOOR LINER     | 257476             |
| 75938                                      | ROOF LINER                 | 176350             | 200431              | RH DOOR LINER      | 257475             |
| 75939                                      | LINER                      | 176351             | 208514              | DECK LINER         | 219610             |
| 75940                                      | LINER                      | 176319             | 221742              | LH DOOR LINER      | 257474             |

The same SLL work hardening material is available for sale as plate, flat bar and round bar to fit your on site fabrication needs. Major cabinet lining and re-lining projects can be completed on site and custom fabrication of fixtures and part carriers are possible.

| SUPPLEMENTAL LONG-LYFE PLATE (SLL) |             |           |           |           |           |
|------------------------------------|-------------|-----------|-----------|-----------|-----------|
| PART NO.                           | PLATE       | 65" X 99" | 48" X 96" | 48" X 72" | 48" X 48" |
| Y000025                            | 0.25" THICK | 470 LBS   | 337 LBS   | 253 LBS   | 169 LBS   |
| Y000026                            | 0.38" THICK | 706 LBS   | 505 LBS   | 379 LBS   | 253 LBS   |
| Y000027                            | 0.50" THICK | 940 LBS   | 673 LBS   | 505 LBS   | 337 LBS   |

| SUPPLEMENTAL LONG-LYFE FLAT BAR (SLL) |           |            |             |              |
|---------------------------------------|-----------|------------|-------------|--------------|
| BAR THICKNESS                         | BAR WIDTH | BAR LENGTH | PART NUMBER | TOTAL WEIGHT |
| 0.25"                                 | 1.00"     | 20.00'     | Y000383     | 17 LBS       |
| 0.25"                                 | 1.50"     | 20.00'     | Y000384     | 26 LBS       |
| 0.25"                                 | 2.00"     | 20.00'     | Y000385     | 34 LBS       |
| 0.25"                                 | 4.00"     | 20.00'     | Y000388     | 68 LBS       |
| 0.50"                                 | 2.00"     | 19.00'     | Y000399     | 68 LBS       |
| 0.50"                                 | 4.00"     | 20.00'     | Y000402     | 136 LBS      |
| 0.50"                                 | 6.00"     | 20.00'     | Y000404     | 204 LBS      |

| SUPPLEMENTAL LONG-LYFE ROUND BAR (SLL) |            |             |              |
|--|------------|-------------|--------------|
| BAR THICKNESS                          | BAR LENGTH | PART NUMBER | TOTAL WEIGHT |
| 0.38"                                  | 11'        | Y000659     | 5 LBS        |
| 0.50"                                  | 20'        | Y000660     | 15 LBS       |
| 0.75"                                  | 20'        | Y000661     | 31 LBS       |
| 1.00"                                  | 17'        | Y000663     | 47 LBS       |
| 1.50"                                  | 17'        | Y000665     | 106 LBS      |
| 2.00"                                  | 17'        | Y000668     | 187 LBS      |

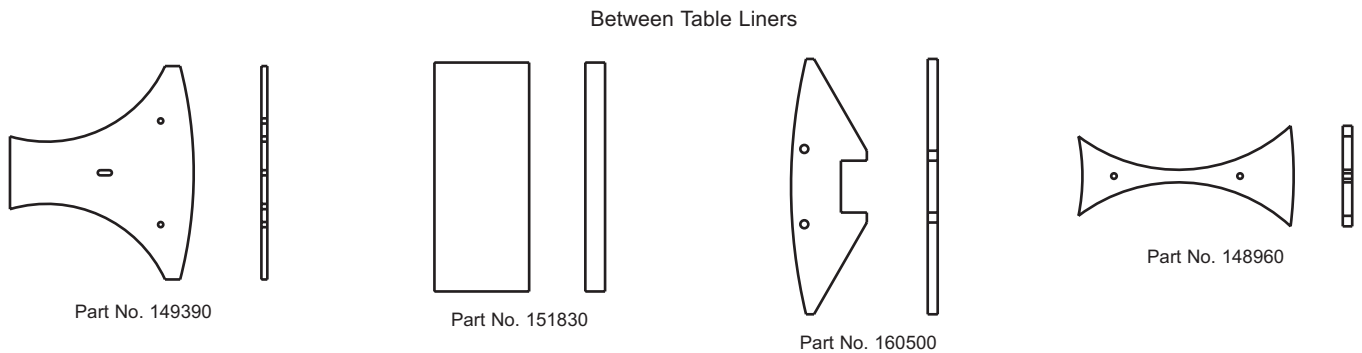
# TABLE WEAR PARTS

## TABLE WEAR PARTS

Cast Long-Lyfe® (LL) and fabricated Supplemental Long Lyfe (SLL) manganese parts are available for many key blast cabinet and work conveyor components of the Wheelabrator® line of multi-tables, swing tables and plain tables.

| BETWEEN TABLE LINERS |                    |
|----------------------|--------------------|
| MILD STEEL PART NO.  | LONG-LYFE PART NO. |
| 48981                | 148965             |
| 55951                | 148960             |
| 75402                | 149390             |
| 75463                | 160500             |
| 85464                | 151830             |

The area between the rotating work tables of a multi-table machine are high wear areas that benefit from the premium protection of cast Long-Lyfe liners between the rotating work tables. These liners shield the main support table system under the rotating work tables and significantly reduce wear and maintenance costs.



SLL work hardening manganese steel parts are available as direct replacements for many mild steel parts used in steel shot (40-50 Rc) blasting operations. Check the chart below for your current mild steel part numbers and SLL replacement.

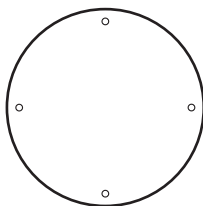
| BETWEEN TABLE LINERS, TABLE RINGS, SWEEPS AND FLANGES |                               |                    |                     |                                |                    |
|---|-------------------------------|--------------------|---------------------|--------------------------------|--------------------|
| MILD STEEL PART NO.                                   | DESCRIPTION                   | MANGANESE PART NO. | MILD STEEL PART NO. | DESCRIPTION                    | MANGANESE PART NO. |
| 47438   | TABLE TOP FLANGE              | 220240             | 77831               | TABLE TOP                      | 200796             |
| 50676   | 48" DIAMETER FLANGE RING      | 214056             | 77833               | ABRASIVE SWEEP                 | 219753             |
| 50704   | TABLE TOP                     | 233262             | 77931               | DEFLECTOR PLATE                | 177934             |
| 51139   | RING 1959860 SLL FLANGE RING  | 231166             | 78023               | INNER SWEEP SUPPORT CLIP       | 219749             |
| 51344   | LINER PLATE BETWEEN TABLES    | 217292             | 100130              | 96" DIAMETER TABLE FLANGED RIM | 204238             |
| 55466   | RING                          | 233103             | 119060              | TABLE TOP                      | 220239             |
| 66206   | FLANGE RING                   | 219736             | 184372              | TABLES AUXILIARY LINER         | 195680             |
| 66501   | BETWEEN TABLES LINER PLATE    | 219754             | 184379              | BETWEEN TABLES LINER           | 204237             |
| 75983   | TABLES AUXILIARY LINER 160013 | 217318             | 190402              | TABLE SUPPORT ARM LINER        | 271818             |
| 75984   | TABLES AUXILIARY BRACKET      | 217317             | 211063              | TABLE TOP                      | 252222             |
| 76632   | TABLE TOP                     | 233104             | 248242              | BETWEEN TABLES LINER           | 269876             |
| 77812   | TABLE                         | 231506             |                     |                                |                    |

# BARREL HEAD WEAR PLATES

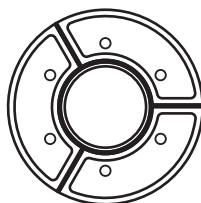
## BARREL HEAD WEAR PLATES

The Wheelabrator® line of Tumbblast® machines automatically include the protection of cast Long-Lyfe® or SLL (manganese) barrel-head plates. The barrel heads seal the blast chamber and prevent abrasive from cutting into the moving parts behind them. They also guide the conveyor which tumbles the work in the mill. These plates will reduce the cost of operating your Tumbblast, by prolonging the life of the barrel heads. They also protect the vulnerable bearings from attack by abrasive. All Tumbblasts should utilize these cost saving barrel head liners.

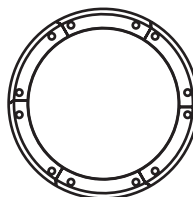
Cast Plates



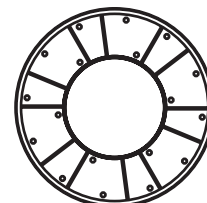
Solid



3 Outer Segments



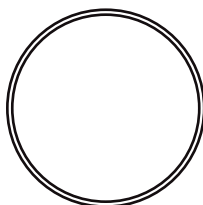
6 Outer Segments



12 Outer Segments

| TUMBLAST BARREL HEAD MANGANESE WEAR PLATES |               |                                   |
|--|---------------|-----------------------------------|
| MILD STEEL PART NO.                        | TUMBLAST SIZE | SLL ONE PIECE WEAR PLATE PART NO. |
| 138071                                     | 15 X 20       | 181673                            |
| 43572                                      | 36 X 42       | 185787                            |
| 43573                                      | 48 X 42       | 185788                            |
| 47010                                      | 48 X 48       | 184585                            |
| 47010                                      | 48 X 72       | 184585                            |
| 64182                                      | 63 X 96       | 175332                            |
| N/A  | 7' SUPER      | 202688                            |
| N/A  | 14' SUPER     | 173435                            |
| N/A  | 22' SUPER     | 190166                            |
| N/A  | 28' SUPER     | 190166                            |

Manganese Wear Plate



Solid

| LONG-LYFE BARREL HEAD WEAR PLATE REFERENCE CHART |                   |              |                   |                |                           |
|--|-------------------|--------------|-------------------|----------------|---------------------------|
| MACHINE SIZE                                     | OBSOLETE PART NO. | SINGLE PLATE | WEAR PLATE CENTER | SEGMENTS OUTER | BOLTS REQUIRED            |
| WTB - 3  | N/A               | 471287       | N/A               | N/A            | 463910 (6)                |
| WTB - 6  | N/A               | 471288       | N/A               | N/A            | 463910 (6)                |
| TBR - 6  | N/A               | N/A          | 487390            | 487391 (3)     | 495274 (6)                |
| TBS - 6  | N/A               | N/A          | 487390            | 492962 (3)     | 495274 (6)                |
| 20 x 27  | 50720             | 144059       | N/A               | N/A            | 157727 (4)                |
| 27 x 36 - R                                      | 50894             | 144655       | N/A               | N/A            | 146110 (4)                |
| 27 x 36 - S                                      | 43574             | 144058       | N/A               | N/A            | 146110 (4)                |
| 36 x 42  | 43572             | N/A          | 152346            | 159743 (6)     | 171074 (12)               |
| TBR - 12   | N/A               | N/A          | 420143            | 491360 (6)     | 500220 (18)               |
| TBS - 12   | N/A               | N/A          | 420143            | 496808 (6)     | 495274 (12)<br>500220 (6) |
| 48 x 42  | 43573             | N/A          | 152346            | 159744 (6)     | 173437 (18)               |
| 48 x 48  | 47010             | N/A          | 152346            | 159157 (6)     | 173437 (18)               |
| 48 x 72  | 47010             | N/A          | 152346            | 159157 (6)     | 173437 (18)               |
| 7 Super  | N/A               | N/A          | 152346            | 160697 (6)     | 173435 (12)               |
| 14 Super   | N/A               | N/A          | 152346            | 159813 (6)     | 173435 (18)               |
| 22 Super   | N/A               | N/A          | 152346            | *152343 (6)    | 173435 (18)               |
| 28 Super   | N/A               | N/A          | 152346            | *152343 (6)    | 173435 (18)               |
| 34 Super   | N/A               | N/A          | 152346            | *152343 (6)    | 173435 (18)               |
| 14 Super II                                      | N/A               | N/A          | 420143            | 420142 (6)     | 500220 (18)               |
| 14 Super III                                     |                   |              |                   |                |                           |
| 22 Super II                                      | N/A               | N/A          | 420143            | 443535 (6)     | 500220 (18)               |
| 22 Super III                                     |                   |              |                   | 443536 (6)     |                           |
| 28 Super II                                      | N/A               | N/A          | 420143            | 443535 (6)     | 500220 (18)               |
| 28 Super III                                     |                   |              |                   | 443536 (6)     |                           |
| 34 Super II                                      | N/A               | N/A          | 420143            | 443535 (6)     | 500220 (18)               |
|  |                   |              |                   | 443536 (6)     |                           |

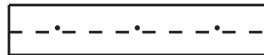
\*For new 12pc. segmented outer liner arrangement, order 1-#443537 and 1-#443538 for each #152434. Parts not interchangeable between designs.



# TUMBLAST SUPPLEMENTAL LONG-LYFE (SLL) LINERS

## TUMBLAST SLL LINERS

Reduce wear and maintenance on your Tumbblast® units by replacing mild steel barrel head wear plates and barrel head seals with longer lasting SLL manganese steel fabricated components. For shot (40-50 Rc) blasting applications only, the SLL material is a cost effective replacement for the mild steel components.



Top Liner



Rear Liner



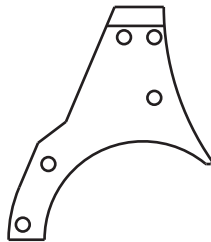
Front Liner



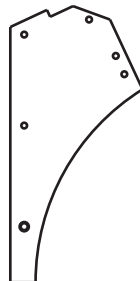
Roof Liner



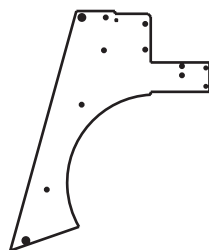
Barrel Head Seal



Front Seal



Barrel Head Seal



Barrel Head Seal

Typical views for reference only.

## TUMBLAST - BARREL HEAD SEALS AND CORNER SEALS

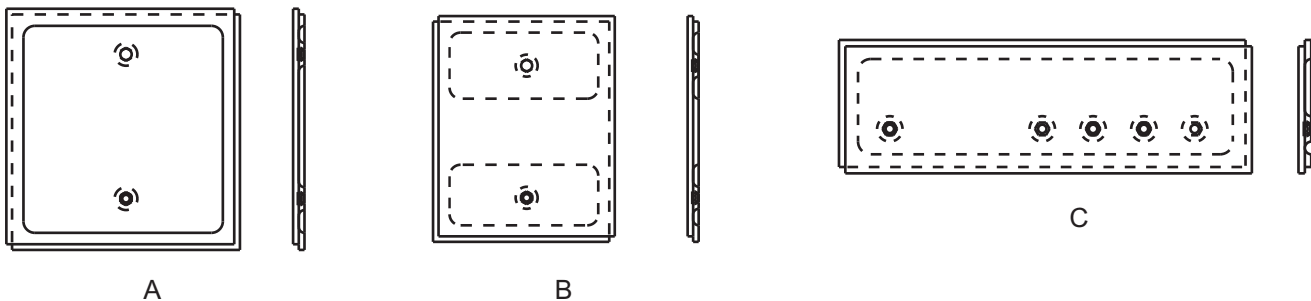
| MILD STEEL<br>PART NO. | DESCRIPTION                         | MANGANESE<br>PART NO. |
|------------------------|-------------------------------------|-----------------------|
| 16863                  | REAR LINER                          | 180455                |
| 34441                  | FRONT LINER                         | 196821                |
| 38599                  | INSIDE BARREL HEAD PLATE            | 191082                |
| 48836                  | LH BARREL HEAD LOWER FRONT SEAL     | 228624                |
| 48837                  | LH UPPER FRONT BH SEAL              | 228627                |
| 48963                  | LH BARREL HEAD UPPER FRONT SEAL     | 263845                |
| 48963                  | BH SEAL                             | 263845                |
| 48964                  | RH BARREL HEAD UPPER FRONT SEAL     | 263845                |
| 48964                  | BH SEAL                             | 263845                |
| 48968                  | RH BARREL HEAD REAR SEAL            | 205193                |
| 48969                  | LH BARREL HEAD REAR SEAL            | 205194                |
| 49012                  | RH BARREL HEAD LOWER FRONT SEAL     | 228625                |
| 49013                  | RH BH FRONT UPPER SEAL              | 228626                |
| 94907                  | ROOF LINER                          | 199713                |
| 98954                  | FRONT SEAL                          | 206906                |
| 98955                  | FRONT SEAL                          | 206907                |
| 99482                  | TOP LINER                           | 201800                |
| 102505                 | SEAL                                | 263849                |
| 102505                 | BH SEAL LH                          | 263849                |
| 102989                 | INNER BARREL HEAD SEAL PLATE        | 201799                |
| 102989                 | BH SEAL                             | 201799                |
| 104118                 | RH AUXILIARY FRONT BARREL HEAD SEAL | 214304                |
| 104118                 | BH SEAL RH                          | 214304                |
| 105090                 | UPPER REAR BH SEAL                  | 198057                |
| 159950                 | LH FABRICATED CORNER SHIELD         | 245676                |
| 186833                 | LH CLOSURE                          | 224728                |
| 186835                 | LH CLOSURE                          | 224727                |
| 196933                 | LH CORNER SHIELD                    | 226067                |
| 196934                 | RH CORNER SHIELD                    | 226068                |
| 200599                 | RH FABRICATED CORNER SHIELD         | 245677                |
| 200600                 | LH FABRICATED CORNER SHIELD         | 245677                |

# TUMBLAST INTERNAL CABINET COMPONENTS

## SUPER TUMBLAST - DOOR/ROOF LINER

Protection of the door and roof area with cast Long-Lyfe® lining will give you the most cost effective operation as long as liner breakage from processed parts is not a consideration. The liners below may be available for your Tumbblast® equipment.

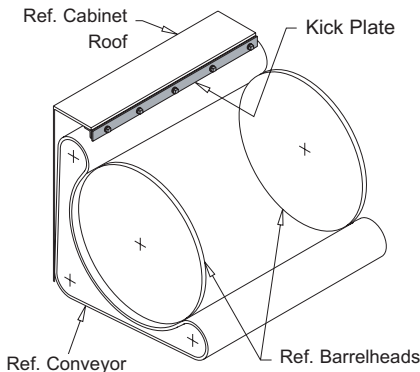
| LONG-LYFE SUPER TUMBLAST - DOOR/ROOF LINER |          |             |                 |          |
|--|----------|-------------|-----------------|----------|
| STYLE                                      | PART NO. | DESCRIPTION | SIZE            | COMMENTS |
| A  | 419614   | DOOR LINER  | 15.00" X 15.50" | HARDENED |
|  | 419615   | DOOR LINER  | 15.00" X 15.50" | ANNEALED |
| B  | 424887   | DOOR LINER  | 12.00" X 15.00" | HARDENED |
|  | 424888   | DOOR LINER  | 12.00" X 15.00" | ANNEALED |
| C  | 424133   | ROOF LINER  | 7.50" X 24.00"  | HARDENED |



Door Roof Liners

## TUMBLAST KICK PLATES

Rebounding abrasive can quickly damage the mild steel kick plate that protects your rear roof area and keeps parts from being carried over the back of the conveyor during blasting operations. Reduce wear and maintenance costs by converting your mild steel kick plate to manganese steel.



| QUICK REFERENCE LIST FOR UPGRADING KICK PLATES IN TUMBLAST MACHINES |              |              |  |
|---|--------------|--------------|--|
| MILD STEEL PART NO.   | SLL PART NO. | MACHINE SIZE | COMMENTS   |
| 197015  | 240375       | 7 SUPER      | OLD PART IS 42" LONG, NEW PART IS 43" LONG           |
| 408376  | 240375       | 7 SUPER      | OLD PART IS 4" W X 42.75"L, NEW PART IS 4.5"W X 43"L |
| 200514  | 251738       | 14 SUPER     | N/A  |
| 186988  | 479232       | 22 SUPER     | N/A  |
| 152358  | 252224       | 28 SUPER     | N/A  |

# LINK ASSEMBLY REPLACEMENT PARTS

## TUMBLAST MILL REBUILDS - REPLACEMENT FLIGHTS, LINKS AND COMPONENTS

The biggest expense in the operation of a Tumbblast® steel mill is the rebuilding of the mill system. Mills should be kept in a good state of repair and rebuilt uniformly on a regularly scheduled basis. Partial rebuilds often result in higher repair and operating costs than complete rebuilds. For your convenience we have listed the most common Tumbblast units with the standard components required for a complete rebuild. Upgrades are also listed where available. Check your Wheelabrator® Operating & Maintenance Manual and compare the part numbers and quantities with those listed below.

| TUMBLAST, STEEL, FLIGHT AND LINK ASSEMBLIES |                                  |
|---|----------------------------------|
| MODEL                                       | NUMBER OF ASSEMBLIES PER MACHINE |
| 27 X 36                                     | 34 - 36*                         |
| 36 X 42                                     | 34 - 36*                         |
| 48 X 42                                     | 39                               |
| 48 X 48                                     | 41                               |
| 48 X 72                                     | 42                               |
| 60 X 96                                     | 47                               |
| 63 X 96                                     | 48                               |
| 7 SUPER                                     | 40                               |
| 14 SUPER                                    | 47                               |
| 14 SUPER II                                 | 48                               |
| 21 SUPER V                                  | 37                               |
| 22 SUPER                                    | 47                               |
| 22 SUPER II                                 | 48                               |
| 22 SUPER III                                | 46                               |
| 28 SUPER                                    | 46                               |
| 28 SUPER II                                 | 46                               |
| 28 SUPER III                                | 46                               |
| 34 SUPER                                    | 46                               |
| 34 SUPER II                                 | 46                               |
| 34 SUPER III                                | 46                               |
| 35 SUPER V                                  | 46                               |
| 45 SUPER V                                  | 47                               |
| TBS - 6                                     | 38                               |
| TBS - 12                                    | 48                               |
| T - 9                                       | 34                               |
| T-13  | 36                               |

\*Check Machine to Verify Quantity

When rebuilding your steel conveyor system, make sure you order the correct quantity of assemblies for a complete set. Note: Always replace links on both ends of a flight at the same time.



| PLOW BOLTS    |                      |          |
|---------------|----------------------|----------|
| SIZE          | MATERIAL             | PART NO. |
| 0.50" X 1.75" | MANGANESE            | 682578   |
| 0.50" X 1.75" | MILD STEEL (GRADE 5) | 475027   |
| 0.63" X 2.75" | MILD STEEL (GRADE 8) | 680990   |
| 0.63" X 2.75" | MANGANESE            | 456670   |
| 0.75" X 3.25" | MILD STEEL (GRADE 8) | 680991   |
| 0.75" X 3.25" | MANGANESE            | 291252   |
| 1.00" X 4.50" | MANGANESE            | 461964   |
| 1.00" X 5.50" | MANGANESE            | 451252   |

# FLIGHT LINK ASSEMBLIES

## MANGANESE FLIGHTS - CAST & FABRICATED

Manganese steel flights can last approximately 3 to 4 times longer than standard mild steel flights.

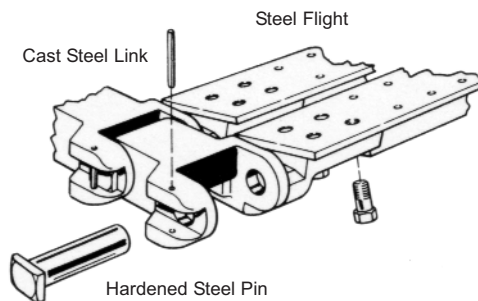
Wheelabrator's Supplemental Long-Lyfe (SLL) manganese steel conveyor mill flights are available as a cast or fabricated product and are made of the most abrasive-resistant grade of manganese steel for maximum service life, 11%-14% manganese steel. They are recommended for use with steel shot in the 40-50 (Rc) hardness range and all sets should be the same style based on the customer's application and product requirements.

The quality construction and fit also mean increased life for the links, pins, and traction wheels. Flights are available with several drain hole sizes to meet your work requirements. Standard 3/8" sizes are listed below.

SLL flights are available to fit all sizes of Wheelabrator Super Tumblysts, as well as many models of the continuous Tumblyst. Use the chart below to find your particular machine size and compare the flight mild steel part number to the flight part number listed in your Wheelabrator® Operating & Maintenance Manual. The SLL replacement flight will be listed in the chart along with the suggested hardware for the conversion.

| TUMBLAST REPLACEMENT FLIGHTS AND DRAIN HOLE SIZE |                 |                             |                       |
|--|-----------------|-----------------------------|-----------------------|
| MACHINE STYLE                                    | DRAIN HOLE SIZE | FABRICATED MANGANESE FLIGHT | CAST MANGANESE FLIGHT |
| 27 X 36  | 0.38"           | 470840                      | C-470840              |
| 36 X 42  | 0.38"           | 469565                      | C-469565              |
| 48 X 42  | 0.38"           | 469565                      | C-469565              |
| 7 SUPER  | 0.38"           | 459736                      | C-459736              |
| 14 SUPER   | 0.38"           | 456660                      | C-456660              |
| 22 SUPER   | 0.38"           | 459830                      | C-459830              |
| 28 SUPER   | 0.38"           | 425466                      | C-425466ST STM*       |
| 34 SUPER   | 0.38"           | 415253                      | C-415253              |
| 14 SUPER II                                      | 0.38"           | 449641                      | C-449641              |
| 22 SUPER II                                      | 0.38"           | 449642                      | C-449642              |
| 28 SUPER II                                      | 0.38"           | 449643                      | C-449643              |
| 34 SUPER II                                      | 0.38"           | 448836                      | C-448836              |
| 22 SUPER III                                     | 0.38"           | N / A                       | C-449642              |
| 28 SUPER III                                     | 0.38"           | N / A                       | C-449643              |
| 34 SUPER III                                     | 0.38"           | N / A                       | C-448836              |
| 35 SUPER V                                       | 0.38"           | N / A                       | C0448836              |
| 45 SUPER V                                       | 0.38"           | 725784                      | N / A                 |
| TBS 6  | 0.38"           | 492992                      | C-492999 MN.          |
| TBS 12   | 0.38"           | 682068                      | N / A                 |

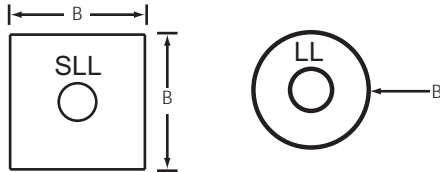
\*Tight mill



# WEAR RESISTANT FITTINGS

## WEAR RESISTANT FITTINGS

Wheelabrator inventories a variety of wear resistant fittings: hardened bolts, hardened cap nuts, Long-Lyfe® cap nuts, washers and weld studs for the ease of installation of wear-resistant linings. The hardened fittings may be used adjacent (or outside of blast compartment) to the blast compartment and the cast Long-Lyfe fitting within the blast compartment.



| WEAR RESISTANT WASHERS |       |            |          |
|------------------------|-------|------------|----------|
| HOLE SIZE              | "B"   | MATERIAL   | PART NO. |
| 0.44"                  | 2.00" | SLL        | 219133*  |
| 0.56"                  | 2.00" | SLL        | 174344   |
| 0.56"                  | 3.00" | SLL        | 252366*  |
| 0.69"                  | 2.50" | SLL        | 270028*  |
| 0.69"                  | 2.00" | LONG-LYFE® | 197317   |
| 0.81"                  | 2.00" | LONG-LYFE  | 204354*  |

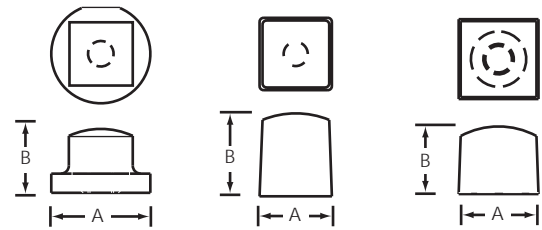
\*Made to order

## HARDENED BOLTS AND SCREWS

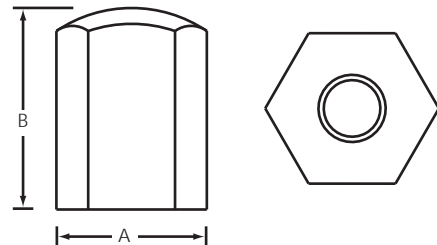
| HEX HEAD BOLTS |          | FLAT HEAD CAP SCREWS |          |
|----------------|----------|----------------------|----------|
| DIMENSIONS     | PART NO. | DIMENSIONS           | PART NO. |
| 0.31" x 0.75"  | 256975   | 0.31" x 0.75"        | 256385   |
| 0.38" x 0.50"  | 209703   | 0.31" x 1.00"        | 271853   |
| 0.38" x 1.00"  | 152637   | 0.31" x 2.50"        | 174458   |
| 0.38" x 1.25"  | 148085   | 0.31" x 3.50"        | 174403   |
| 0.38" x 1.50"  | 152640   | 0.38" x 1.00"        | 155667   |
| 0.38" x 1.75"  | 148086   | 0.38" x 1.25"        | 147611   |
| 0.38" x 2.00"  | 154449   | 0.38" x 1.50"        | 147612   |
| 0.38" x 3.75"  | 151576   | 0.38" x 1.75"        | 155240   |
| 0.38" x 4.00"  | 211693   | 0.38" x 2.00"        | 197361   |
| 0.44" x 1.00"  | 155859   | 0.38" x 2.25"        | 211086   |
| 0.44" x 1.50"  | 155860   | 0.38" x 3.00"        | 192538   |
| 0.50" x 1.00"  | 151824   | 0.38" x 3.25"        | 178324   |
| 0.50" x 1.25"  | 183796   | 0.38" x 3.50"        | 175124   |
| 0.50" x 1.50"  | 154064   | 0.38" x 4.00"        | 146110   |
| 0.50" x 1.75"  | 217201   | 0.38" x 4.50"        | 147094   |
| 0.50" x 2.00"  | 152641   | 0.50" x 1.00"        | 212278   |
| 0.50" x 2.25"  | 184357   | 0.50" x 1.25"        | 183951   |
| 0.50" x 2.50"  | 175577   | 0.50" x 1.50"        | 157232   |
| 0.50" x 3.00"  | 413263   | 0.50" x 1.75"        | 159344   |
| 0.50" x 3.25"  | 234549   | 0.50" x 2.00"        | 176068   |
| 0.50" x 4.25"  | 417034   | 0.50" x 2.25"        | 165619   |
| 0.63" x 1.50"  | 152642   | 0.50" x 2.50"        | 157233   |
| 0.63" x 2.00"  | 153632   | 0.50" x 2.75"        | 146109   |
| 0.63" x 2.50"  | 152639   | 0.50" x 3.00"        | 276455   |
| 0.63" x 3.00"  | 154074   | 0.50" x 3.25"        | 157727   |
| 0.63" x 3.50"  | 173271   | 0.50" x 3.50"        | 175123   |
| 0.63" x 3.75"  | 151577   | 0.50" x 3.75"        | 162375   |
| 0.63" x 4.00"  | 155001   | 0.63" x 1.50"        | 147613   |
| 0.63" x 4.25"  | 160490   | 0.63" x 1.75"        | 154995   |
| 0.63" x 4.50"  | 161885   | 0.63" x 2.00"        | 154075   |
| 0.63" x 5.25"  | 449289   | 0.63" x 2.50"        | 167281   |
| 0.75" x 1.50"  | 166830   | 0.63" x 2.75"        | 223333   |
| 0.75" x 2.00"  | 172981   | 0.63" x 3.00"        | 237884   |
| 0.75" x 2.50"  | 166208   | 0.63" x 3.50"        | 155266   |
| 0.75" x 3.25"  | 166207   | 0.63" x 4.00"        | 155265   |
| 0.75" x 5.25"  | 449041   | 0.75" x 1.25"        | 202063   |
| 1.00" x 2.00"  | 406247   | 0.75" x 2.00"        | 210461   |
| N/A            | N/A      | 0.75" x 2.25"        | 222558   |
| N/A            | N/A      | 0.75" x 2.50"        | 287348   |
| N/A            | N/A      | 0.75" x 3.50"        | 260717   |
| N/A            | N/A      | 0.75" x 4.50"        | 282590   |
| N/A            | N/A      | 0.75" x 5.50"        | 282591   |

# WEAR RESISTANT FITTINGS

| STUD, WELDING   |                         |                     |                    |
|-----------------|-------------------------|---------------------|--------------------|
| SIZE AND THREAD | LENGTH (BEFORE WELDING) | MILD STEEL PART NO. | STAINLESS PART NO. |
| 0.25" - 20      | 1.25"                   | 454022              | N/A                |
| 0.38" - 16      | 0.75"                   | 149443              | 253104             |
| 0.38" - 16      | 1.00"                   | 149444              | 253103             |
| 0.38" - 16      | 1.25"                   | 149445              | 462034             |
| 0.38" - 16      | 1.50"                   | 149446              | N/A                |
| 0.38" - 16      | 1.75"                   | 205654              | N/A                |
| 0.38" - 16      | 2.25"                   | 168100              | 269001             |
| 0.38" - 16      | 2.00"                   | 271623              | N/A                |
| 0.38" - 16      | 2.75"                   | 171145              | N/A                |
| 0.38" - 16      | 3.00"                   | 251007              | N/A                |
| 0.38" - 16      | 3.50"                   | 170989              | N/A                |
| 0.50" - 13      | 1.00"                   | 149447              | 268169             |
| 0.50" - 13      | 1.25"                   | 149448              | 225578             |
| 0.50" - 13      | 1.50"                   | 149449              | 225579             |
| 0.50" - 13      | 1.75"                   | 149450              | 268170             |
| 0.50" - 13      | 2.00"                   | 155469              | 268171             |
| 0.50" - 13      | 2.25"                   | 152969              | 268172             |
| 0.50" - 13      | 2.50"                   | 419410              | 254763             |
| 0.50" - 13      | 2.75"                   | 155125              | 268173             |
| 0.50" - 13      | 3.00"                   | 170990              | 254764             |
| 0.50" - 13      | 3.50"                   | 259400              | N/A                |
| 0.50" - 13      | 3.75"                   | 266001              | N/A                |
| 0.50" - 13      | 4.50"                   | 170991              | N/A                |
| 0.50" - 13      | 5.00"                   | 184488              | N/A                |
| 0.63" - 11      | 2.00"                   | 292687              | 173865             |
| 0.63" - 11      | 2.50"                   | 412098              | N/A                |
| 0.63" - 11      | 3.25"                   | 407601              | N/A                |
| 1.00" - 8       | 3.50"                   | 464793              | N/A                |

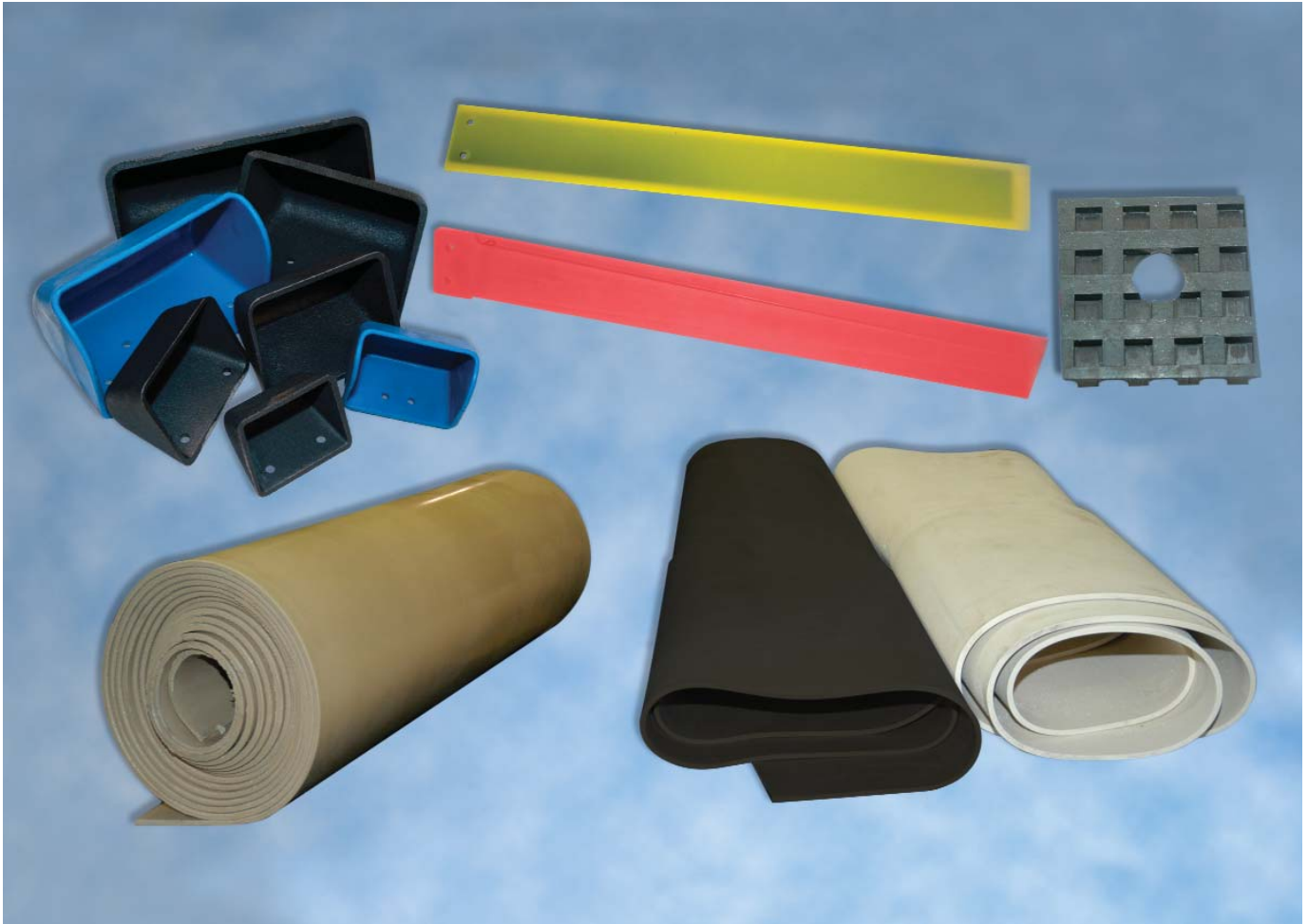


| LONG-LYFE CAP NUT |       |       |          |
|-------------------|-------|-------|----------|
| SIZE              | A     | B     | PART NO. |
| 0.38"             | 1.12" | 1.19" | 220041   |
| 0.44"             | 1.63" | 1.38" | 733648   |
| 0.50"             | 1.94" | 1.25" | 220040   |
| 0.63"             | 1.63" | 1.38" | 225000   |



| HARDENED CAP NUT |       |       |          |
|------------------|-------|-------|----------|
| SIZE             | A     | B     | PART NO. |
| 0.31"            | 1.06" | 0.88" | 685770   |
| 0.38"            | 1.06" | 0.75" | 76291    |
| 0.50"            | 0.88" | 1.25" | 79950    |
| 0.50"            | 1.12" | 1.50" | 198457   |
| 0.50"            | 0.75" | 1.00" | 130703   |
| 0.63"            | 1.06" | 1.50" | 154864   |
| 0.75"            | 1.25" | 1.75" | 40810    |
| 0.88"            | 1.50" | 2.00" | 28012    |
| 1.00"            | 1.75" | 1.63" | 74800    |

| STUD SELECTION INFORMATION |  |
|----------------------------|--|
| STUD MATERIAL              | COMMENTS   |
| MILD STEEL                 | USE FOR WELDING TO MILD STEEL                              |
| STAINLESS STEEL            | USE FOR WELDING TO MANGANESE STEEL                         |
| STUD LENGTH                | SELECTION GUIDELINES                                       |
| 1.25"                      | USE WITH SINGLE 0.50" THICK CABINET LINER                  |
| 1.50"                      | USE WITH 0.25" THICK LAP BAR AND 0.25" THICK CABINET LINER |
| 1.75"                      | USE WITH 2.00" X 0.50" THICK CABINET LINERS                |



## RUBBER AND PLASTIC COMPONENT PARTS

Rubber and plastic are widely used abrasion resistant materials for various blast equipment components. The versatility and effectiveness of these materials have made them ideal for seals, liners, table tops, Tumblast® conveyor belts, elevator belting and noise reduction.

# TUMBLAST RUBBER CONVEYOR BELTS

## TUMBLAST RUBBER CONVEYOR BELT

Wheelabrator® rubber conveyor belts for Tumbblast® machines are made of a heavy duty, multi-ply, abrasion resistant Rubber Manufacturers Association No.1 quality material. These belts incorporate the best tensile strength, elongation characteristics, resistance to cutting or gouging and multi-layer construction to promote consistent belt tracking.



| TUMBLAST CONVEYOR BELTS |                     |          |                  |                     |          |
|-------------------------|---------------------|----------|------------------|---------------------|----------|
| MACHINE TYPE            | DRAIN HOLE DIAMETER | PART NO. | MACHINE TYPE     | DRAIN HOLE DIAMETER | PART NO. |
| 15" x 20"               | 0.25"               | 47454    | DELTA 170        | 0.19"               | 490716   |
| 15" x 20"               | 0.50"               | 217011   | DELTA 170        | 0.25"               | 494309   |
| 15" x 20"               | 0.25"               | 474540   | DELTA 170        | 0.31"               | 469673   |
| 15" x 20"               | 0.38"               | 142615   | TBR 6            | 0.19"               | 495757   |
| 15" x 20"               | 0.19"               | 52712    | TBR 6            | 0.25"               | 495594   |
| 20" x 27"               | 0.19"               | 68274    | TBR 6            | 0.25"               | 495595   |
| 20" x 27"               | 0.19"               | 171410   | TBR 6            | 0.31"               | 494716   |
| 20" x 27"               | 0.25"               | 68275    | TBR 6            | 0.31"               | 671158   |
| 20" x 27"               | 0.31"               | 157005   | TBR 6            | 0.38"               | 494717   |
| 20" x 27"               | 0.38"               | 105509   | TBR 6            | 0.16"               | 496870   |
| 20" x 27"               | 0.50"               | 222063   | TBR 6            | 0.44"               | 677636   |
| 20" x 27"               | 0.63"               | 459353   | TBR-12           | 0.31"               | 494832   |
| 27" x 36"               | 0.50"               | 79883    | TBR-12           | 0.38"               | 498679   |
| 27" x 36"               | 0.19"               | 68210    | T/B 85 OR WTB-3  | 0.19"               | 674265   |
| 27" x 36"               | 0.19"               | 150078   | T/B 85 OR WTB-3  | 0.25"               | 674268   |
| 27" x 36"               | 0.25"               | 68098    | T/B 85 OR WTB-3  | 0.31"               | T964777  |
| 27" x 36"               | 0.63"               | 173945   | T/B 85 OR WTB-3  | 0.38"               | 674269   |
| 27" x 36"               | 0.31"               | 137633   | T/B 85 OR WTB-3  | 0.16"               | 674530   |
| 27" x 36"               | 0.31"               | 75473    | T/B 170 OR WTB-6 | 0.19"               | 674307   |
| 27" x 36"               | 0.38"               | 109651   | T/B 170 OR WTB-6 | 0.25"               | 674308   |
| 27" x 36"               | 0.44"               | 159161   | T/B 170 OR WTB-6 | 0.31"               | T964776  |
| 36" x 42"               | 0.50"               | 461481   | T/B 170 OR WTB-6 | 0.38"               | 674309   |
| 36" x 42"               | 0.25"               | 142793   | WTB-3            | 0.19"               | 488166   |
| 36" x 42"               | 0.38"               | 134805   | WTB-3            | 0.25"               | 499622   |
| 36" x 42"               | 0.19"               | 466139   | WTB-3            | 0.31"               | 422712   |
| Delta 85                | 0.19"               | 488166   | WTB-3            | 0.38"               | 497123   |
| Delta 85                | 0.25"               | 499622   | WTB-6            | 0.19"               | 496346   |
| DELTA 85                | 0.31"               | 422712   | WTB-6            | 0.25"               | 494309   |
| DELTA 85                | 0.38"               | 497123   | WTB-6            | 0.31"               | 469673   |
| DELTA 170               | 0.19"               | 496346   |                  |                     |          |

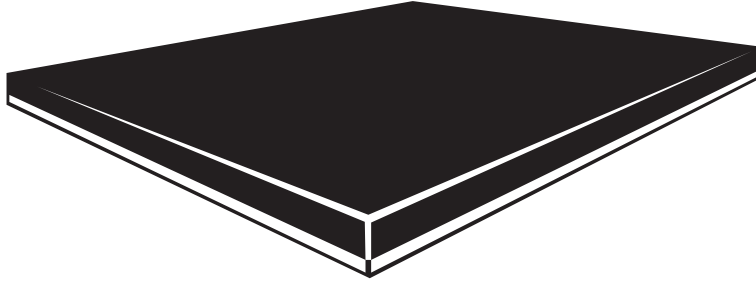
Note: The part number in the Operation, Maintenance & Parts Manual for your particular machine will cover the original belt and drain hole size. Contact Wheelabrator® for guidance before changing drain hole size. The wrong drain hole size may result in machine or parts damage and potential injury to personnel.



# RUBBER COMPONENTS AND PARTS

## RUBBER BONDED PLATE

Abrasion resistant rubber bonded plate is an alternate material for use wherever sheet rubber might be likely to tear easily due to mounting methods or other application considerations. It performs best in areas where flexibility of the liner material is not a requirement.

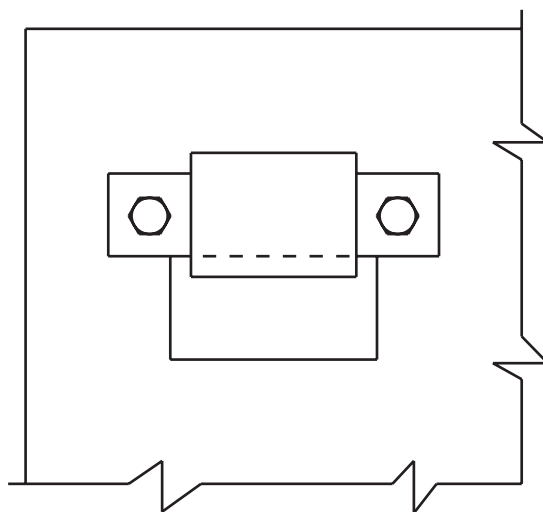


| RUBBER BONDED PLATE |             |  |
|---------------------|-------------|--|
| WIDTH               | DESIGNATION | DESCRIPTION                                  |
| 48.00"              | RP-1        | 0.19" THICK RUBBER, BONDED TO 16 GAUGE METAL |
| 48.00"              | RP-3        | 0.50" THICK RUBBER, BONDED TO 16 GAUGE METAL |

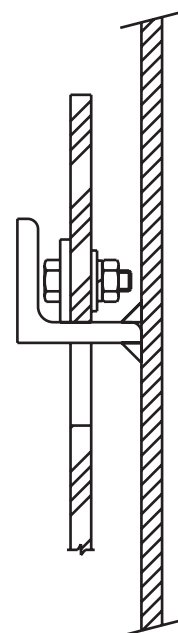
Rubber bonded plate consists of a layer of abrasion-resistant rubber (60-70 Durometer) bonded to a backing plate for maximum rigidity. It is recommended for use wherever sheet rubber might be caught and torn by the work handling system or other moving parts. It is also recommended for use where accurate dimensions must be maintained.

## SUGGESTIONS FOR INSTALLING SHEET RUBBER

This drawing is provided as a suggested means of mounting hanging rubber curtains in new locations. This method has been effective for many years. Hanging curtains will give the longest service life when hung loosely to permit the rubber to deflect upon impact from the abrasive particles.



Sheet Rubber Installation



Side View

# ELEVATOR BELT COMPONENTS

## ELEVATOR BELT COMPONENTS

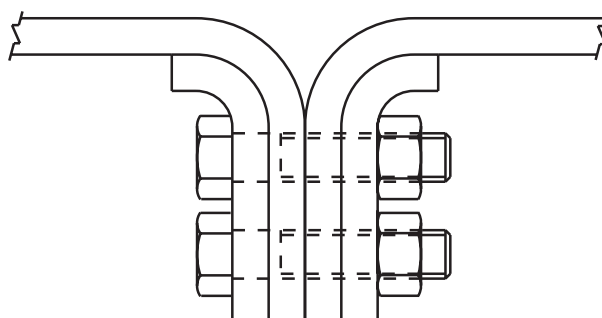
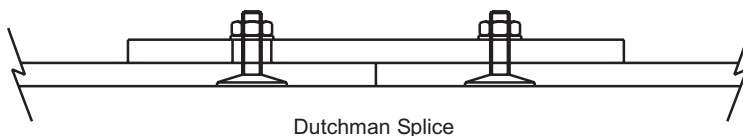
For quick elevator belt repair you should have extra buckets and mounting hardware on hand. Use the list below in conjunction with your Machine Operations and Repair Manual to identify what is correct for your machine. Be sure you know what type splice is on your belt in order to select the correct connecting hardware.

| STANDARD ELEVATOR BUCKETS |                |
|---------------------------|----------------|
| PART NO.                  | ELEVATOR STYLE |
| 17202                     | 7 X 21         |
| 16849                     | 8 X 24         |
| 16849                     | 8 X 30         |
| 40000                     | 10 X 30        |
| 40000                     | 12 X 34        |
| 16986*                    | 16 X 34        |
| 40000                     | 20 X 36        |
| 16986*                    | 30 X 36        |

\*Replaces No. 169860 & 477968



| ELEVATOR HARDWARE |                                   |
|-------------------|-----------------------------------|
| PART NO.          | DESCRIPTION                       |
| 17401             | 0.31" X 1.00" LARGE ELEVATOR BOLT |
| 17402             | 0.31" LEATHER WASHER              |
| 106510            | 0.31" X 1.25" LARGE ELEVATOR BOLT |
| 187222            | 0.31" X 1.50" LARGE ELEVATOR BOLT |
| 500059            | 0.31" HEX NUT                     |
| 500103            | 0.31" FLAT WASHER (STEEL)         |
| 500082            | 0.50" FLEX LOCK NUT               |
| 500224            | 0.50" X 2.25" LARGE HEX HEAD BOLT |



# RUBBER MATERIAL FOR BLAST CHAMBER

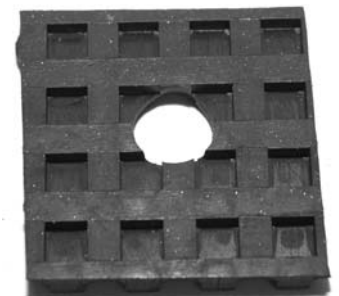
## RUBBER MATERIAL FOR BLAST CHAMBER

Abrasion resistant sheet rubber can be a cost effective material for protection of metal components from indirect abrasive blast. Ideal for cabinet vestibule lining, secondary wall lining, roof slot seals, door liners and similar applications. Use the chart below to find the optimum size and material for your operation.

| COMMERCIAL RUBBER<br>MATERIALS - RS SERIES |                          |                        |
|--|--------------------------|------------------------|
| RS NO.                                     | RAW MATERIAL<br>PART NO. | SIZES                  |
| RS 1                                       | X000016                  | 0.12" X 48" WIDE       |
| RS 2                                       | X000014                  | 0.25" X 48" & 60" WIDE |
| RS 3                                       | X000015                  | 0.25" X 48" & 60" WIDE |
| RS 4                                       | X000043                  | 0.38" X 48" WIDE       |
| RS 5                                       | X000033                  | 0.50" X 48" WIDE       |
| RS 6                                       | X000019                  | 0.25" X 2.50" WIDE     |
| RS 8                                       | X000017                  | 0.12" X 48" WIDE       |
| RS 9                                       | X000232                  | 0.50" X 1.5" WIDE      |
| RS 9                                       | X000233                  | 0.75" X 1.0" WIDE      |
| RS 9                                       | X000235                  | 0.50" X 0.50" WIDE     |
| RS 9                                       | X000236                  | 0.25" X 1.00" WIDE     |
| RS 9                                       | X000034                  | 0.50" X 20" WIDE       |
| RS 10                                      | X000047                  | 0.50" X 48" WIDE       |
| RS 12                                      | X000049                  | 1.00" X MULTI-WIDE     |
| RS 14                                      | X000046                  | 0.38" X 48" WIDE       |
| RS 16                                      | X000053                  | 0.12" X 40" WIDE       |
| RS 17                                      | X000054                  | 0.06" X 36" WIDE       |
| RS 18                                      | X000055                  | 0.12" X 36" WIDE       |
| RS 19                                      | X000018                  | 1.25" X 36" WIDE       |
| RS 20                                      | X000037                  | 0.25" X 48" WIDE       |
| RS 21                                      | X000056                  | 0.25" X 36" WIDE       |
| RS 22                                      | X000057                  | 0.06" X 36" WIDE       |
| RS 23                                      | X000044                  | 0.19" X 36" WIDE       |
| RS 24                                      | X000058                  | 0.12" X 38" WIDE       |
| RS 25                                      | X000061                  | 0.25" X 34" WIDE       |
| RS 26                                      | X000062                  | 0.12" X 36" WIDE       |
| RS 27                                      | X000063                  | 0.12" X 36" WIDE       |
| RS 28                                      | X000026                  | 0.25" X 48" WIDE       |

## SOUND DEADENING PAD MATERIAL

These pads were used on many older blast machines under the wheel base plate. They have also been used under some dust collector fan mounts for vibration isolation.



Part No. 663431  
(Size 2" x 2")

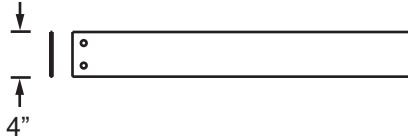
# CABINET FINGER SEAL

## CABINET FINGER SEALS

Pass thru type monorail or structural machines use various types of finger seals for the cabinet and vestibule openings. These finger seals act as containment devices for abrasive, while allowing parts and ventilation air to enter the blast cabinet. The finger seals shown below, in several sizes and materials, are typical of those used in pass thru machines. Use the charts provided here to help with your selection.

## POLYCARBONATE FINGER SEALS

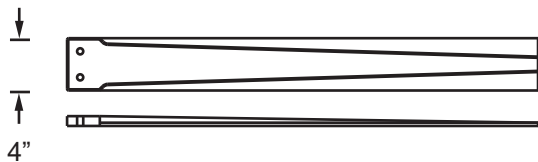
Low cost polycarbonate finger seals offer good resistance to tearing and abrasive wear along with reversal of work capability with proper flex point work clearance. A minimum clearance of one foot from the work to the seal flex point is required to avoid significant breakage problems.



| CLEAR POLYCARBONATE |        |          |        |
|---------------------|--------|----------|--------|
| PART NO.            | LENGTH | PART NO. | LENGTH |
| 420537              | 24"    | 420987   | 40"    |
| 408546              | 26"    | 427224   | 42"    |
| 443407              | 28"    | 413756   | 45"    |
| 413790              | 30"    | 408392   | 49"    |
| 417211              | 33"    | 427472   | 51"    |
| 400900              | 36"    | 414310   | 56"    |
| 414170              | 38"    | 414796   | 60"    |
| 423398              | 39"    | 428687   | 66"    |

## URETHANE FINGER SEALS

Constructed of solid 80-90 durometer urethane, our new finger seal has excellent flexibility and memory, which allows this seal to provide over twice the service life of a standard polycarbonate seal. The flexibility helps avoid the snapping or breaking problem, while the memory characteristic keeps the seals straight and closed. The high durometer material is specially compounded to resist abrasive wear and heat. All features considered, the new product is the best value for our customers, capable of thousands of hours of service life.



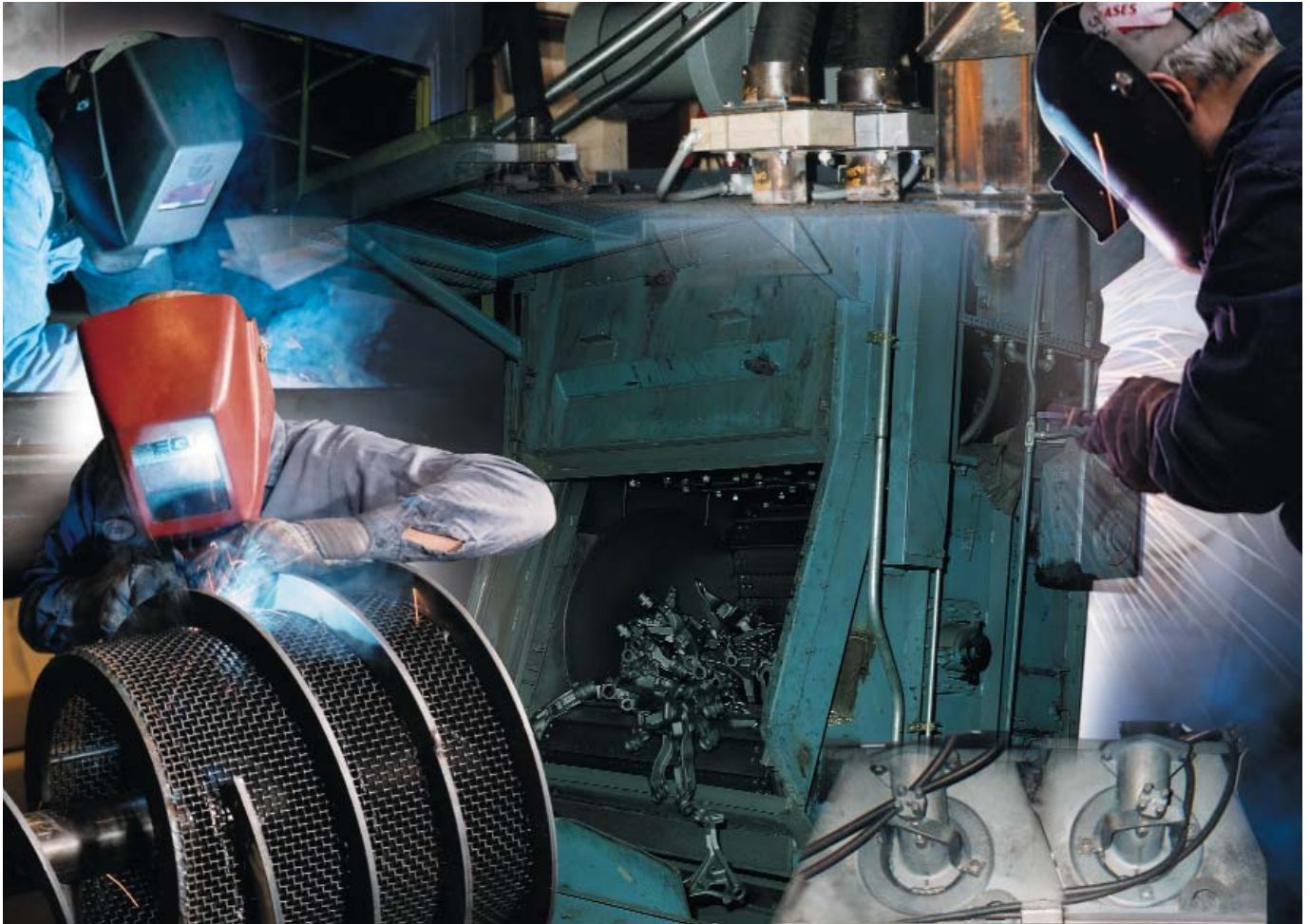
| URETHANE FINGER SEALS |        |          |        |
|-----------------------|--------|----------|--------|
| PART NO.              | LENGTH | PART NO. | LENGTH |
| 677881                | 18"    | 680464   | 32"    |
| 677896                | 19"    | 680465   | 34"    |
| 677947                | 22"    | 680466   | 36"    |
| 677948                | 24"    | 680468   | 39"    |
| 680459                | 26"    | 680469   | 40"    |
| 680460                | 27"    | 680470   | 44"    |
| 680461                | 28"    | 680471   | 45"    |
| 680462                | 30"    | 680467   | 46"    |
| 680463                | 31"    | 680472   | 48"    |

## URETHANE WITH POLYCARBONATE INSERT

Improved non-fatiguing spring back flexibility



| PART NO. | LENGTH |
|----------|--------|
| 474857   | 30"    |
| 479955   | 32"    |
| 476985   | 36"    |
| 483962   | 42"    |
| 477609   | 48"    |



## EQUIPMENT MODERNIZATION PROGRAM (EMP)

Give your older machine a chance for a longer productive life with EMP upgrades. Incorporate the latest improvements for lower production costs and higher production rates.

wheelabrator  
●●●●●●●●●● GROUP

# EQUIPMENT MODERNIZATION PACKAGES FOR MACHINES

Work with our Wheelabrator® team to upgrade your equipment today. You can depend on us for unparalleled service, quality, consistency and the technological development to make you more competitive in today's market. Contact your Wheelabrator Customer Service Representative for a quotation or information on a complete mill rebuild or upgrade.

| PRODUCT CONVERSIONS  | SUPER I & OLDER T/B | SUPER II T/B<br>7, 14, 22 | SUPER II T/B<br>28, 34 | SWING TABLES | STRUCTURAL MACHINES | STANDARD LINE MACHINES | SPINNER HANGER MACHINES | SKEW ROLL MACHINES | ROLL CONVEYOR MACHINES | PIPE MACHINES | MULTI-TABLES | MONORAIL MACHINES | "LEM" MACHINES | DUST COLLECTORS |
|--|---------------------|---------------------------|------------------------|--------------|---------------------|------------------------|-------------------------|--------------------|------------------------|---------------|--------------|-------------------|----------------|-----------------|
| DUAL WHEEL   | •                   |                           | •                      |              |                     |                        | •                       |                    |                        |               |              |                   |                |                 |
| 25BD130 WHEEL  | •                   |                           |                        |              |                     | •                      | •                       | •                  | •                      |               |              |                   | •              |                 |
| CAST WHEEL HOUSING   | •                   | •                         | •                      | •            |                     |                        | •                       |                    |                        |               | •            | •                 |                |                 |
| FABRICATED MANGANESE HOUSING, RLM & BD (WHEEL)                       | •                   | •                         | •                      | •            | •                   | •                      | •                       |                    |                        |               | •            | •                 |                |                 |
| LINER KIT  | •                   |                           |                        | •            | •                   | •                      | •                       | •                  | •                      |               | •            | •                 |                |                 |
| R TO BDR UP-DATE (WHEEL ASSEMBLY)                                    |                     |                           |                        | •            | •                   | •                      | •                       | •                  | •                      |               | •            | •                 |                |                 |
| UP-BLAST WHEEL UP-GRADE  |                     |                           |                        |              | •                   | •                      | •                       | •                  | •                      |               | •            | •                 |                |                 |
| 25BD250 WHEEL  | •                   | •                         | •                      | •            | •                   |                        | •                       |                    | •                      | •             |              |                   |                |                 |
| 25BD150 WHEEL  | •                   | •                         | •                      | •            | •                   | •                      | •                       |                    | •                      |               | •            | •                 |                |                 |
| VARIABLE SPEED WHEEL   | •                   | •                         | •                      | •            | •                   | •                      | •                       |                    | •                      |               | •            | •                 |                |                 |
| ONE PIECE LINK MILL CONVERSION                                       | •                   |                           |                        |              |                     | •                      | •                       | •                  | •                      | •             | •            | •                 | •              |                 |
| RUBBER MILL CONVERSION   | •                   | •                         |                        |              |                     | •                      |                         |                    |                        | •             |              |                   |                |                 |
| SPLIT MILL BELT  | •                   | •                         |                        |              |                     | •                      |                         |                    |                        | •             |              |                   |                |                 |
| SLL BARREL HEAD WEAR LINERS  | •                   | •                         | •                      |              |                     | •                      |                         |                    |                        |               |              |                   | •              |                 |
| SLL BARREL HEAD SEAL LINERS  | •                   | •                         | •                      |              |                     | •                      |                         |                    |                        |               |              |                   | •              |                 |
| LOADER TO TUMBLAST   | •                   | •                         | •                      |              |                     | •                      |                         |                    |                        |               |              |                   | •              |                 |
| SHAKER UNLOADER TO TUMBLAST  | •                   | •                         | •                      |              |                     | •                      |                         |                    |                        |               |              |                   | •              |                 |
| ONE PIECE DOOR TO OLDER TUMBLAST                                     | •                   |                           |                        |              |                     |                        |                         |                    |                        |               |              |                   |                |                 |
| RETROFIT LOWER RECLAIM SYSTEM  | •                   |                           |                        | •            | •                   |                        | •                       | •                  | •                      | •             | •            | •                 |                |                 |
| UP-DATE ROTARY SCREEN  | •                   |                           |                        |              | •                   | •                      | •                       | •                  | •                      | •             | •            | •                 |                |                 |
| LARGER SEPARATOR   | •                   | •                         | •                      | •            | •                   | •                      | •                       | •                  | •                      | •             | •            | •                 |                |                 |
| MAGNETIC SEPARATOR (ADDITION)  | •                   | •                         | •                      | •            | •                   | •                      | •                       | •                  | •                      | •             | •            | •                 |                |                 |
| VARIABLE SPEED MILL CONVEYOR DRIVE                                   | •                   | •                         | •                      | •            | •                   | •                      | •                       | •                  | •                      |               |              | •                 |                |                 |
| UP-DATE CABINET LINER PACKAGE  |                     |                           |                        | •            | •                   |                        | •                       | •                  | •                      |               |              | •                 |                |                 |
| *GEARMOTOR* DRIVE HEAD SECTION                                       | •                   | •                         | •                      | •            | •                   |                        | •                       | •                  | •                      | •             | •            | •                 |                |                 |
| SCREW CONVEYOR DRIVE / UPGRADE TO *GEARMOTOR DRIVE*                  | •                   | •                         | •                      | •            | •                   |                        | •                       | •                  | •                      | •             | •            | •                 |                |                 |
| LIME ADDER   | •                   | •                         | •                      | •            | •                   | •                      | •                       | •                  | •                      | •             | •            | •                 | •              | •               |
| AFTER FILTERS TO DUST COLLECTOR                                      | •                   | •                         | •                      | •            | •                   | •                      | •                       | •                  | •                      | •             | •            | •                 | •              | •               |
| DUST COLLECTOR-HOPPER DISCHARGE-ROTARY VALVE-SLIDE VALVE- DUST CHUTE |                     |                           |                        |              | •                   |                        |                         |                    | •                      |               |              | •                 |                | •               |
| SLOT SEAL FOR MONORAIL   |                     |                           |                        |              | •                   | •                      |                         |                    |                        |               |              | •                 |                |                 |
| POWER DRIVE FOR SWING TABLE DOOR                                     |                     |                           |                        | •            |                     |                        |                         |                    |                        |               |              |                   |                |                 |
| SECOND DOOR TO SWING TABLE   |                     |                           |                        | •            |                     |                        |                         |                    |                        |               |              |                   |                |                 |
| 400 LB ABRASIVE ADDER  | •                   | •                         | •                      | •            | •                   | •                      | •                       | •                  | •                      | •             | •            | •                 | •              |                 |
| 1-TON ABRASIVE ADDER   |                     |                           | •                      | •            | •                   | •                      | •                       | •                  | •                      | •             | •            | •                 |                |                 |
| SHOT LEVEL CONTROLLER (BINDICATOR)                                   | •                   | •                         | •                      | •            | •                   | •                      | •                       | •                  | •                      | •             | •            | •                 | •              |                 |
| TOTALLY ENCLOSED VALVE UP TO 40HP                                    | •                   |                           |                        | •            | •                   | •                      | •                       | •                  | •                      |               | •            | •                 |                |                 |
| TOTALLY ENCLOSED VALVE OVER 40HP                                     | •                   |                           |                        | •            | •                   | •                      | •                       | •                  | •                      | •             | •            | •                 |                |                 |
| LOW PROFILE CONTROL VALVE  | •                   |                           |                        |              | •                   |                        |                         | •                  |                        | •             |              |                   | •              |                 |
| MAGNA VALVE* (LIST MODELS)   | •                   | •                         | •                      | •            | •                   | •                      | •                       | •                  | •                      | •             | •            | •                 | •              |                 |



## ACCESSORIES AND CONTROLS

Maintaining blast equipment efficiency requires the use of select accessories and control devices that will keep you aware of what is happening in your system. Review the following items to insure you have the right combination of items to keep your equipment operating cost effectively.

# ACCESSORIES AND CONTROLS

## AMMETER AND HOUR METERS FOR CHECKING MACHINE PERFORMANCE

The wheel will normally need to operate at full amperage for maximum cleaning power with the shortest blast cycle. Every hour of operation at full amperage will dictate the wear rate and maintenance and repair requirements for your blast cleaning machine.

The ammeter and hour meter are essential tools for operational efficiency and cost control. Keep them functioning and use them to help establish a predictive preventive maintenance program and give machine operators a visible confirmation of machine activity.

Ammeter



| AMMETERS    |          |
|-------------|----------|
| AC AMMETERS | PART NO. |
| SCALE 0-15  | 183256   |
| SCALE 0-30  | 183257   |
| SCALE 0-100 | 183258   |
| SCALE 0-200 | 183259   |
| DC AMMETERS | PART NO. |
| SCALE 0-30  | 195365   |

| ENCLOSURE DATA                         |          |
|--|----------|
| AC AMMETERS                            | PART NO. |
| UNIVERSAL AMMETER HOUSING              | 54189    |
| UNIVERSAL AMMETER COVER                | 183966   |
| AMMETER NAMEPLATE                      | 150371   |
| ROUND HEAD MACHINE SCREW<br>4 REQUIRED | 501198   |

Hour Meter

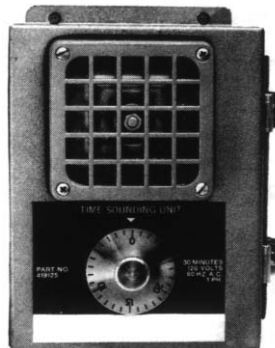


| TRANSFORMERS-<br>DOUGHNUT TYPE |          |
|--------------------------------|----------|
| FOR                            | PART NO. |
| 15 OR 30 AMP                   | 183260   |
| 100 OR 200 AMP                 | 183261   |

| HOUR METER |                        |                 |                  |
|------------|------------------------|-----------------|------------------|
| PART NO.   | VOLTAGE<br>& FREQUENCY | MOUNTING        | REGISTERING      |
| 195240     | 115V 60 HZ             | FLUSH MOUNTED   | HOURS AND TENTHS |
| 195329     | 115V 50 HZ             | FLUSH MOUNTED   | HOURS AND TENTHS |
| 195368     | 115V 60 HZ             | CONDUIT MOUNTED | HOURS AND TENTHS |
| 195369     | 115V 50 HZ             | CONDUIT MOUNTED | HOURS AND TENTHS |

## BLAST CYCLE TIMER WITH HORN

On manual batch type Wheelabrator® machines, a blast cycle timer can be an important asset in promoting thorough cleaning and avoiding the unnecessary expense of overblasting. The operator may then perform other functions during the cleaning cycle. Order Part No. 419125



Blast Cycle Timer



# ACCESSORIES AND CONTROLS

## VENTILATION CONTROLS

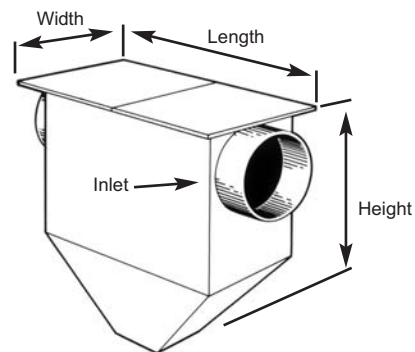
The air flow from every blast machine to it's dust collector must be controlled to minimize abrasive consumption and maximize removal of contaminants and broken down abrasive. Balancing these requirements may make the use of an abrasive trap or cyclone necessary as part of the ventilation piping.

Under normal conditions an abrasive trap or a cyclone should only be used in the main cabinet vent from a blast machine. It should not be used to handle air flow from separators or elevator systems.

## ABRASIVE TRAP

The trap is essentially a baffled expansion chamber that will allow incoming air containing usable abrasive particles to slow down. This will let the usable abrasive particles fall out of the air stream and with proper location, drain the abrasive back to the machine. Different cabinet vent outlet designs will require different size traps. Different abrasive sizes and material will also affect the trap selection. Contact your customer service representative with your machine serial number and abrasive type and size for a quotation on an abrasive trap.

| ABRASIVE TRAP |            |        |        |        |
|---------------|------------|--------|--------|--------|
| PART NO.      | INLET O.D. | LENGTH | WIDTH  | HEIGHT |
| 43161         | 6.00"      | 17.00" | 9.00"  | 17.75" |
| 45076         | 8.00"      | 22.00" | 11.50" | 23.00" |
| 45074         | 10.00"     | 27.50" | 14.00" | 29.50" |
| 43173         | 12.00"     | 32.63" | 16.69" | 35.50" |
| 45072         | 14.00"     | 38.25" | 19.50" | 41.50" |
| 44868         | 16.00"     | 43.00" | 21.75" | 47.50" |
| 54116         | 18.00"     | 48.75" | 24.50" | 53.50" |
| 54157         | 20.00"     | 43.50" | 27.75" | 60.00" |
| 56063         | 23.00"     | 62.25" | 31.12" | 69.00" |
| 89807         | 24.00"     | 62.25" | 31.12" | 69.00" |
| 54102         | 28.00"     | 75.12" | 37.88" | 82.75" |



| REQUIRED FOR EACH TRAP   |                 |
|--|-----------------|
| PART NO.   | DESCRIPTION     |
| 177170   | 1 NIPPLE        |
| 89757  | 2 CLAMPS        |
| 173987   | 1 DRIBBLE VALVE |
| 1 PIECE FLEX HOSE U-100 OF SUFFICIENT LENGTH TO REACH FROM THE TRAP TO THE RECEIVING BLAST MACHINE CONTAINER. PART NO. 266530 ORDER LENGTH REQUIRED IN FEET. |                 |

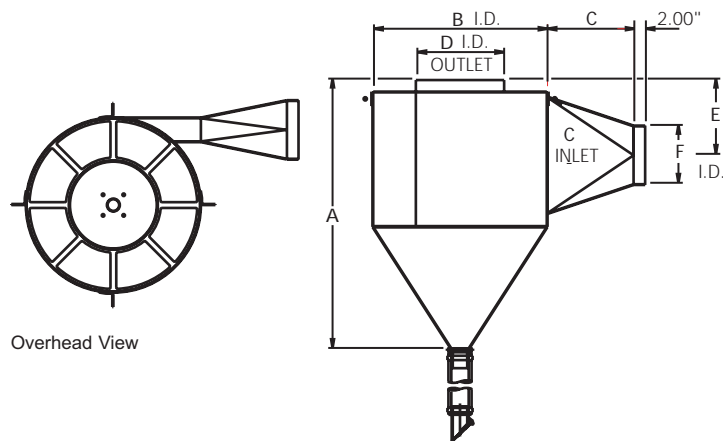
# ACCESSORIES AND CONTROLS

## ABRASIVE CYCLONE

The cyclone is specifically intended for use with smaller, lighter metallic abrasives and various non-metallic abrasives. Its greater efficiency in the removal of small contaminants makes it the preferred device for control of dust and the salvage of usable abrasive. Air flow through the cyclone causes the heavier usable abrasive particles to follow the outer air path and flow out the bottom of the trap while the finer particles of abrasive and contaminants follow the inner air path to the collector. Contact your customer service representative with your machine serial number and abrasive type and size for a quotation on an abrasive trap.

| CYCLONE SEPARATOR SELECTION CHART |              |        |        |        |        |        |        |
|-----------------------------------|--------------|--------|--------|--------|--------|--------|--------|
| CYCLONE PACKAGE*                  | CYCLONE ONLY | A      | B      | C      | D      | E      | F      |
| 133634                            | 133685       | 34.00" | 18.00" | 9.00"  | 9.00"  | 9.00"  | 6.00"  |
| 133635                            | 133657       | 44.75" | 24.00" | 12.00" | 12.00" | 11.00" | 8.00"  |
| 133636                            | 133658       | 55.38" | 30.00" | 15.00" | 15.00" | 13.00" | 10.00" |
| 137690                            | 133686       | 66.00" | 36.00" | 18.00" | 18.00" | 16.00" | 12.00" |
| 283726                            | 283727       | 78.00" | 42.00" | 21.00" | 21.00" | 18.00" | 14.00" |
| 285146                            | 285147       | 86.00" | 48.00" | 24.00" | 24.00" | 20.00" | 16.00" |
| 497162                            | 497161       | 4.00"  | 60.00" | 33.00" | 33.00" | 24.00" | 20.00" |

\*All cyclone separator packages include cyclone, pipe adapter, drain hose, (2) hose clamps and a dribble valve. Field assembly required.





## DUST COLLECTOR PARTS AND ACCESSORIES

The dust collector is a key functional and environmental control component of your airless wheelblast surface preparation system. Wheelabrator Group, Inc. provides a complete line of reliable and effective replacement and control parts to keep your dust collector operating at maximum efficiency.

# DUST COLLECTOR PARTS AND ACCESSORIES

## DUST FILTER CARTRIDGES AND DUST TUBES

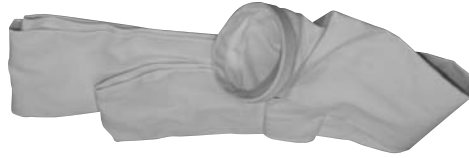
Check your Dust Collector Operations and Maintenance Manual for the original cartridge or dust tube part number. Discuss any changes with your customer service representative.

| FILTER CARTRIDGES |  |                            |
|-------------------|--|----------------------------|
| WHEELABRATOR      | DESCRIPTION (NOTE A)                   | DIAMETER X LENGTH (INCHES) |
| 6623120           | 100% CELLULOSE, O/C W/ 15 X 16.5 PLATE | 12.75 X 26.00              |
| FR832600832       | FR 80/20, O/C W/ 15 X 16.5 PLATE       | 12.75 X 26.00              |
| 6609610           | POLYESTER FELT, O/C W/ 15 X 16.5 PLATE | 12.75 X 26.00              |
| 6802020           | 100% CELLULOSE, O/C W/ 15 X 16.5 PLATE | 12.75 X 36.00              |
| 7223460           | FR 80/20, O/C W/ 15 X 16.5 PLATE       | 12.75 X 36.00              |
| 833650411         | POLYESTER FELT, O/C W/ 15 X 16.5 PLATE | 12.75 X 36.00              |
| 6613940           | 100% CELLULOSE, O/C W/ 0.50 FLANGE     | 12.75 X 26.00              |
| 6816960           | 100% CELLULOSE, O/C W/ 0.54 HOLE       | 7.94 X 32.00               |
| BCP               | DESCRIPTION (NOTE A)                   | DIAMETER X LENGTH (INCHES) |
| C30906            | 100% CELLULOSE, O/C W/ 0.88" HOLE      | 12.75 X 36.00              |
| 7263430           | FR 80/20, O/C W/ 0.88" HOLE            | 12.75 X 36.00              |
| C88326            | 80/20, O/C W/ 0.88" HOLE               | 12.75 X 36.00              |
| C94948            | POLYESTER FELT, O/C W/ 0.88" HOLE      | 12.75 X 36.00              |
| C57612            | 100% CELLULOSE, O/C W/ 0.50" FLANGE    | 12.75 X 36.00              |
| C136587           | FR 80/20, O/C W/ 0.50" FLANGE          | 12.75 X 36.00              |
| C134570           | HD 100% CELLULOSE, O/C W/ 0.50" FLANGE | 12.75 X 36.00              |
| C149401           | HD FR 80/20, O/C W/ 0.50" FLANGE       | 12.75 X 36.00              |
| C125305           | POLYESTER FELT, O/C W/ 0.50" FLANGE    | 12.75 X 36.00              |
| 900319            | B1 SPUN BOND, O/C W/ 0.50" FLANGE      | 12.75 X 36.00              |
| 7280330           | SPUN BOND, O/C W/ 0.50" FLANGE         | 12.75 X 36.00              |
| C14062            | 100% CELLULOSE, O/C W/ 0.88" HOLE      | 13.84 X 28.00              |
| C20299            | POLYESTER FELT, O/C W/ 0.88" HOLE      | 13.84 X 28.00              |

Note A: O/C=Open top, closed bottom end caps O/O= Open top, open bottom end caps HD=High density media FR=Fire retardant media



# DUST COLLECTOR PARTS AND ACCESSORIES



| COMMONLY USED DUST TUBES - LOOP TOP TYPE |          |         |                       |          |          |         |                        |
|--|----------|---------|-----------------------|----------|----------|---------|------------------------|
| PART NO.                                 | DIAMETER | LENGTH  | MATERIAL              | PART NO. | DIAMETER | LENGTH  | MATERIAL               |
| 659324                                   | 12.50"   | 30.94"  | SATEEN                | 298747   | 5.25"    | 112.00" | POLYPROPYLENE          |
| 153281                                   | 9.00"    | 42.00"  | SATEEN                | 407756   | 5.25"    | 112.00" | DACRON                 |
| 462568                                   | 5.25"    | 62.00"  | SATEEN                | 407779   | 5.25"    | 112.00" | POLYPROPYLENE          |
| 45325                                    | 5.25"    | 70.00"  | SATEEN                | 620264   | 6.00"    | 112.00" | DACRON POLY W/ SILICON |
| 45326                                    | 5.25"    | 70.00"  | FIRE RETARDANT SATEEN | 670850   | 5.25"    | 112.00" | POLYESTER              |
| 670848                                   | 5.25"    | 70.00"  | POLYESTER             | 696693   | 5.25"    | 112.00" | SATEEN                 |
| 488801                                   | 5.25"    | 75.00"  | SPUN POLYESTER        | 698915   | 5.25"    | 112.00" | FIRE RETARDANT SATEEN  |
| 295880                                   | 5.25"    | 88.00"  | DACRON W/ SILICON     | 620437   | 6.00"    | 120.00" | POLYESTER              |
| 45323                                    | 5.25"    | 90.00"  | SATEEN                | 668430   | 6.00"    | 120.00" | DACRON POLYESTER       |
| 45321                                    | 5.25"    | 90.00"  | FIRE RETARDANT SATEEN | 640168   | 5.25"    | 121.50" | SATEEN                 |
| 670849                                   | 5.25"    | 90.00"  | POLYESTER             | 90521    | 5.25"    | 126.00" | SATEEN                 |
| 620296                                   | 6.00"    | 108.00" | POLYESTER             | 90522    | 5.25"    | 126.00" | FIRE RETARDANT SATEEN  |
| 107278                                   | 5.25"    | 112.00" | SATEEN                | 117342   | 5.25"    | 126.00" | SATEEN, STRAP TYPE     |
| 107279                                   | 5.25"    | 112.00" | FIRE RETARDANT SATEEN | 670851   | 5.25"    | 126.00" | POLYESTER              |
| 117341                                   | 5.25"    | 112.00" | SATEEN, STRAP TYPE    | 293599   | 5.25"    | 171.00" | DACRON POLYESTER       |
| 293058                                   | 5.25"    | 112.00" | DACRON W/ SILICON     | 6527750  | 5.00"    | 168.00" | SATEEN, STRAP TYPE     |
| 298745                                   | 5.25"    | 112.00" | DACRON                | N/A      | N/A      | N/A     | N/A                    |

## FLUORESCENT POWDER

Detect leaks in dust filtration systems with fluorescent powder by identifying tears, holes, and bad seals in bags. Structural air leaks in the system such as weld cracks and misfitting metal enclosure covers can also be detected as the powder follows the path of least resistance, accumulating around the source of the leakage.

| FLUORESCENT POWDER |        |       |
|--------------------|--------|-------|
| PART NO.           | COLOR  | QTY   |
| 620992             | PINK   | 5 LBS |
| 620993             | YELLOW | 5 LBS |
| 621019             | ORANGE | 5 LBS |
| 621020             | GREEN  | 5 LBS |

# DUST COLLECTOR PARTS AND ACCESSORIES

## DUST COLLECTOR PERFORMANCE

You must know what is happening inside the dust collector to know if it is doing its job. As the collector media (bags or cartridges) get dirty, the collector efficiency is reduced. Monitoring the internal condition of the collector and cleaning the bags or cartridges when required is determined by using a differential pressure device in the form of a manometer, Magnehelic gauge, differential pressure switch or Photohelic gauge.

## BLAST GATES

Use a heavy duty blast gate in the highly abrasive environment of your blast machine. All duct lines need independent air control for optimum balancing of air flow from machine outlets to the collector through the duct work system.



| BLAST GATES |          |           |          |
|-------------|----------|-----------|----------|
| DUCT SIZE   | PART NO. | DUCT SIZE | PART NO. |
| 3"          | 94402    | 13"       | 94419    |
| 4"          | 94403    | 14"       | 94411    |
| 5"          | 94404    | 15"       | 94420    |
| 6"          | 94405    | 16"       | 94412    |
| 7"          | 94406    | 17"       | 94421    |
| 8"          | 94407    | 18"       | 94413    |
| 9"          | 94408    | 19"       | 94422    |
| 10"         | 94409    | 20"       | 140779   |
| 11"         | 94418    | 22"       | 138922   |
| 12"         | 94410    | 24"       | 144115   |

## BAGHOUSE COLLECTORS - SHAKER TIMER UNITS

Old shaker bag house dust collectors with obsolete cam operated Eagle Polyflex timers can be refitted with new solid state timers. The chart below shows the two (2) timers required to replace the Eagle unit. A wiring drawing will be included when you purchase both timers.

| SHAKER TIMER UNITS |                 |              |
|--------------------|-----------------|--------------|
| PART NO.           | DESCRIPTION     | QTY REQUIRED |
| 492354             | ON DELAY TIMER  | 1            |
| 492355             | OFF DELAY TIMER | 1            |

## PRESSURE MONITORS

Monitoring the operating pressure or differential pressure of a dust collector is the key to long service life and effective pollution control. We have listed below some of the more common devices available from Wheelabrator to handle this requirement. Consult with your Customer Service Representative if you have any questions.



Differential Pressure Switch



Magnehelic Gauge



Manometer Gauge



Photohelic Gauge

| PRESSURE MONITORS |                              |            |
|-------------------|------------------------------|------------|
| PART NO.          | DESCRIPTION                  | RANGE      |
| 669184            | DIFFERENTIAL PRESSURE SWITCH | 3-4" w.c.  |
| 670932            | MAGNEHELIC GAUGE             | 0-10" w.c. |
| 693515            | MAGNEHELIC GAUGE             | 0-20" w.c. |
| C127538           | PHOTOHELIC GAUGE             | 0-6" w.c.  |
| C8193             | PHOTOHELIC GAUGE             | 0-10" w.c. |

| MANOMETER GAUGE |   |
|-----------------|---|
| PART NO.        | DESCRIPTION   |
| 94937           | 10" CLEAN-OUT U MANOMETER LESS PETCOCK HOSE & NIPPLES |
| 71502           | 10" MANOMETER KIT, COMPLETE WITH CONNECTIONS          |
| C8487           | 16" WATER U TUBE SERIES 1221                          |
| C79410          | 3" WATER RED OIL TO 3" WATER                          |
| 157795          | 2 OZ. CONTAINER OF FREEZE-PROOF MANOMETER FLUID       |



## AIRBLAST EQUIPMENT AND SUPPLIES

Please contact our customer service center  
at: 1-800-544-4144 for our full line catalog of  
abrasive airblast equipment and supplies.

wheelabrator  
●●●●●●●●■ ■ ■ GROUP

# SERVICE AND SUPPORT FOR AIRBLAST EQUIPMENT

## Service and Support

The Wheelabrator Service Department offers customers the widest range of support

- Regular site visits and consultation by experienced engineers
- Machine performance checks on existing systems with full results reports
- System maintenance and updating machine software service available
- Service contracts available to avoid downtime and reduce costs
- Large inventory of replacement parts
- Training programs for operator and maintenance personnel
- Sub-contract support including abrasive blasting, surface protection and a specialized high quality shot peening service is also provided



Off-the-shelf spares availability



Machine performance checks



Maintenance service



Specific nozzles for every purpose

## All Types of Media

"Wheelabrator blast rooms are designed for use with any type of non-silica abrasive blasting media. Metallic - (ferrous & non-ferrous) Non-Metallic - (aluminum oxide, Garnet, Glass Beads, Ceramic etc.)







## MAINTENANCE TOOLS

The quality of your maintenance and repair work and the time you spend making repairs can be affected by the tools you use to do the job. Make sure you know what is available and have what you need.

# MAINTENANCE TOOLS

## IMPELLER WRENCH AND CENTERING PLATE PULLER



Special length Allen Head Wrench offers a convenient means of removing the impeller and impeller cap screws. The extra length and special notch in these impeller wrenches makes impeller replacement more convenient and less expensive.

| IMPELLER WRENCH |                  |
|-----------------|------------------|
| WRENCH PART NO. | USE ON           |
| 48323           | G & VH WHEELS    |
| 255873          | R WHEEL          |
| 165083          | M AND RLM WHEELS |

## SPRING BLADE-LOCK COMPRESSOR



On Type "Q", "M" and "R" wheels, the blades are held in position by Wheelabrator's spring blade lock which exerts equal pressure on both sides of the blade.

| BLADE-LOCK COMPRESSOR TOOL |                  |
|----------------------------|------------------|
| PART NO.                   | WHEEL            |
| 153978                     | 2.50" WIDE WHEEL |
| 169386                     | 5.00" WIDE WHEEL |

This handy compressor tool aids blade changing by providing a convenient method of compressing the blade retainer spring and removing it, thus releasing the blade for easy withdrawal.

## BLADE-REMOVER



Even after removing the blade lock spring retainer, blades may be "frozen" in the wheel by dust and abrasive wedged into the blade slots. The Wheelabrator® blade puller is a convenient means of quickly and easily extracting such blades. Can be used with any 19.50" and 21.00" diameter wheels.

| BLADE REMOVER |               |
|---------------|---------------|
| PART NO.      | DESCRIPTION   |
| 153977        | BLADE REMOVER |
| 165439        | SHOE ONLY     |



Shoe

## EZ LOCK INSERTS



Your unit bearing shaft and wheel motor shaft often have a replaceable insert to make repairs easier when the impeller bolt threads are damaged.

| EZ LOCK INSERTS |                |
|-----------------|----------------|
| PART NO.        | SIZE           |
| 291123          | 0.75" TO 0.50" |
| 294212          | 1.00" TO 0.75" |

Used in unit bearing and motor shafts for impeller belt.

# MAINTENANCE TOOLS

## MAGNETOOL

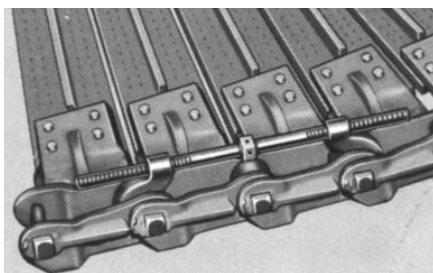


Wheelabrator offers the Magnetool accessory in four sizes, as a convenient, efficient means of increasing the safety and economy of your blast cleaning operation through good housekeeping.

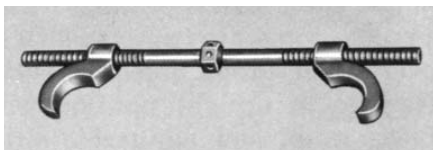
The Magnetool features a permanent magnet, not an electro-magnet. It can be unloaded from either end. The long, low clearance handle eliminates stooping. A strong frame, rigid wheel, wear-proof inertia brake and replaceable wiper make it a durable tool.

| MAGNETOOL             |               |
|-----------------------|---------------|
| WHEELABRATOR PART NO. | OVERALL WIDTH |
| 168364                | 11.38"        |
| 168365                | 16.25"        |
| 168366                | 21.12"        |
| 168368                | 35.75"        |

## CHAIN LINK TOOL



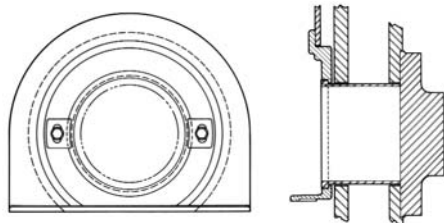
When installing a Tumblast® conveyor or replacing conveyor flights, links or sprockets, Wheelabrator's Chain Link Tool is recommended to speed the work and substantially reduce the number of man-hours required. This tool is a must when replacing mill components - flights and links.



The illustration shows the tool installed on conveyor chain. Order part number shown in the table for your model Tumblast.

| CHAIN LINK TOOL   |               |
|---|---------------|
| TUMBLAST DESIGNATION                                      | LINK TOOL NO. |
| 36 X 42   | 36620         |
| 42 X 48   | 36620         |
| 48 X 48   | 47112         |
| 48 X 72   | 47112         |
| SUPER TUMBLAST<br>7, 14, 22, 28,<br>AND 34 CU FT<br>SIZES | 162392        |

## ALIGNMENT GAUGE



Use of this gauge is recommended whenever a bearing, housing, or cage adapter is replaced. A variety of misalignment possibilities are avoided by the use of the alignment gauge.

| ALIGNMENT GAUGE |          |
|-----------------|----------|
| WHEEL TYPE      | PART NO. |
| RLM             | 451303   |
| BD              | 498259   |

# SHOT PEENING INSTRUMENTS AND SUPPLIES

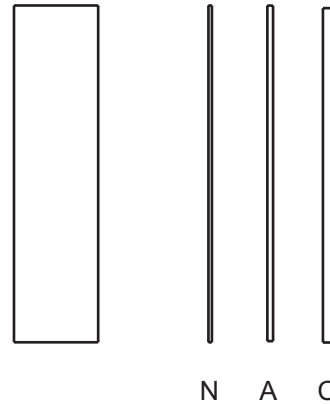
The shot peening supplies offered below represent all the materials you need to check and monitor the peening results of your shot peening equipment. Using a quality Almen Gauge along with appropriate test strips, strip holders and test bar will permit verification of your peening process control.

## ALMEN GAUGE



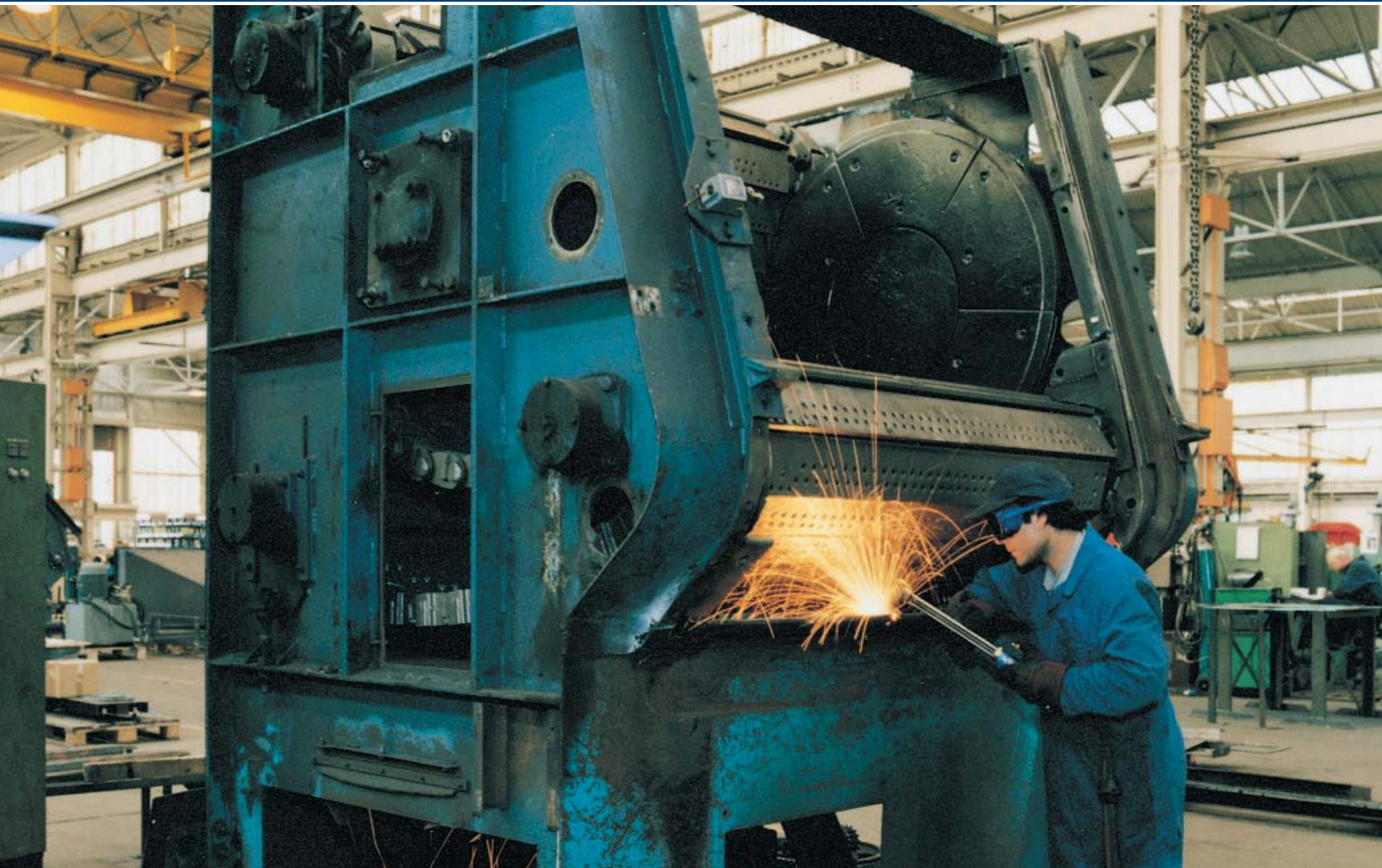
| ALIGNMENT GAUGE   |          |
|-------------------|----------|
| DESCRIPTION       | PART NO. |
| ALMEN GAUGE       | 74155    |
| ACCURACY TEST BAR | 81257    |
| TEST STRIP HOLDER | 67432    |

| ALMEN STRIPS |          |             |          |
|--------------|----------|-------------|----------|
| STRIP        | PART NO. | THICKNESS   | FLATNESS |
| N            | 212038   | .031 ± .001 | ± .001   |
| A            | 74268    | .051 ± .001 | ± .001   |
| C            | 74268    | .094 ± .001 | ± .0015  |



|   |   |
|---|---|
| QUOTE DATE: _____   | ORDER DATE: _____   |
| CONTACT: _____ PHONE _____<br>#: _____<br>EMAIL: _____<br>FAX #: _____<br>CELL #: _____                       | JOB #: _____<br>PURCHASE ORDER: _____<br>TAXABLE: q YES q NO<br>AUTHORIZED SIGNATURE: _____                                     |
| BILL TO: _____ ACCT. #: _____<br>_____<br>_____   | SHIP TO: _____ ACCT. #: _____<br>_____<br>_____   |
| SHIP VIA: q FED EX q UPS<br>ACCOUNT #: _____<br>q Next Day q 2nd Day q AM q PM<br>q No Partial q Other: _____ | MACHINE TYPE: _____<br>SERIAL #: _____<br>q VISA q MC q AMEX q OTHER: _____<br>NAME ON CARD: _____<br>ACCT.#: _____ EXP.: _____ |

|     | QTY | PART NUMBER | DESCRIPTION | UNIT PRICE | LEAD TIME |
|-----|-----|-------------|-------------|------------|-----------|
| 1.  |     |             |             |            |           |
| 2.  |     |             |             |            |           |
| 3.  |     |             |             |            |           |
| 4.  |     |             |             |            |           |
| 5.  |     |             |             |            |           |
| 6.  |     |             |             |            |           |
| 7.  |     |             |             |            |           |
| 8.  |     |             |             |            |           |
| 9.  |     |             |             |            |           |
| 10. |     |             |             |            |           |
| 11. |     |             |             |            |           |
| 12. |     |             |             |            |           |
| 13. |     |             |             |            |           |
| 14. |     |             |             |            |           |
| 15. |     |             |             |            |           |



By retrofitting existing machinery with modern Wheelabrator components, equipment owners can cost efficiently extend the lifespan of their current investments, increase the equipment's production rates and reduce operating costs.

For more information please contact:

Wheelabrator Equipment Sales  
(800) 845-8508 • (905) 319-7930

Wheelabrator Parts, EMP and Service  
(800) 544-4144 • (706) 884-6884