



INSTRUCTIONS

-J06093

REV. 2015-02-13

SHOTGUN STYLE ACCESSORY SLIP-ON MUFFLER KITS

GENERAL

Kit Numbers

64900334, 64900335, 64900340, 64900341

Models

For model fitment information, see the P&A retail catalog or the Parts and Accessories section of www.harley-davidson.com (English only).

Installation Requirements

Proper installation of these kits requires separate purchase of two muffler clamps (H-D Part No. 65296-95A).

⚠ WARNING

The rider's safety depends upon the correct installation of this kit. Use the appropriate service manual procedures. If the procedure is not within your capabilities or you do not have the correct tools, have a Harley-Davidson dealer perform the installation. Improper installation of this kit could result in death or serious injury. (00333a)

NOTE

This instruction sheet refers to service manual information. A service manual for this year/model motorcycle is required for this installation. One is available from a Harley-Davidson dealer.

Kit Contents

See Figure 1 and Table 1.

There are no service parts available for this kit.

PRODUCT INFORMATION

Tampering Prohibition

Federal law prohibits any modifications to this exhaust system which cause the motorcycle to exceed Federal noise standards. Use of a motorcycle with such a modified exhaust system is also prohibited.

Noise Emission Warranty

Harley-Davidson warrants that these mufflers, at the time of sale, meet all applicable United States E.P.A. Federal Noise and Emissions standards. This warranty extends to the original purchaser for purposes other than resale, and to all subsequent buyers. Direct warranty claims to an authorized Harley-Davidson dealer.

NOTE

To avoid penalties under state and local ordinances, repair or replace this product if motorcycle noise increases significantly through use.

PREPARATION

⚠ WARNING

To prevent accidental vehicle start-up, which could cause death or serious injury, remove main fuse before proceeding. (00251b)

NOTE

- **WITH security siren:** With security fob present, turn ignition switch ON. See the service manual. After system is disarmed, turn ignition switch OFF. **IMMEDIATELY** remove the main fuse.
- **WITHOUT security siren:** See the service manual. Remove main fuse.

REMOVAL

1. See Figure 1. Loosen muffler clamps (A).
2. Apply penetrating oil to seams of mufflers (1, 2) and exhaust pipes.
3. Loosen flange locknut (C) on carriage bolt (B).
4. Remove muffler fasteners (E) to detach mufflers from muffler support (D).
5. Remove muffler shield clamps (G) to detach muffler shields (F) from mufflers.
6. Remove mufflers. Discard clamps (A).

INSTALLATION

1. See Figure 1. Place **new** muffler clamps (A) over exhaust pipes.
2. Slide mufflers (1, 2), onto exhaust pipes.
3. Loosely attach mufflers to muffler support (D) using muffler fasteners (E).
4. Loosely install flange locknut (C) on carriage bolt (B).
5. Tighten all muffler fasteners.
 - a. Tighten muffler clamps to 38-43 ft-lbs (51.6-58.4 Nm).
 - b. Tighten flange locknut (C) on carriage bolt (B) to 20-25 ft-lbs (27.1-33.9 Nm).
 - c. Tighten muffler support fasteners to 96-120 **in-lbs** (10.9-13.6 Nm).

NOTICE

Wipe all fingerprints off of exhaust system components after installation and before starting engine. Oil from hands can leave permanent marks on exhaust system finish. (00346a)

- Wipe exhaust system clean.
- Open muffler shield clamps (G). Install the muffler shields (F). Position clamps so the screws are on the outboard side in the most accessible position.

COMPLETION

NOTE

Verify that the ignition switch is OFF **before** installing the main fuse.

- See the service manual. Install main fuse.

WARNING

After installing seat, pull upward on seat to be sure it is locked in position. While riding, a loose seat can shift causing loss of control, which could result in death or serious injury. (00070b)

- See the service manual. Install seat.

SERVICE PARTS

Table 1. Service Parts

Item	Description (Quantity)	Part Number
1	Muffler assembly, slash down, rear	Not sold separately
2	Muffler assembly, slash down, front	Not sold separately
3	Muffler shield kit (Black, front/rear)	65400078
Items mentioned in text, but not included in kit.		
A	Muffler clamp (2), Part No. 65296-95A (Purchase separately)	
B	Original equipment (OE) carriage bolt	
C	OE flange locknut	
D	OE muffler support	
E	OE muffler fasteners	
F	OE muffler shield, chrome (2)	
G	OE muffler shield clamp	

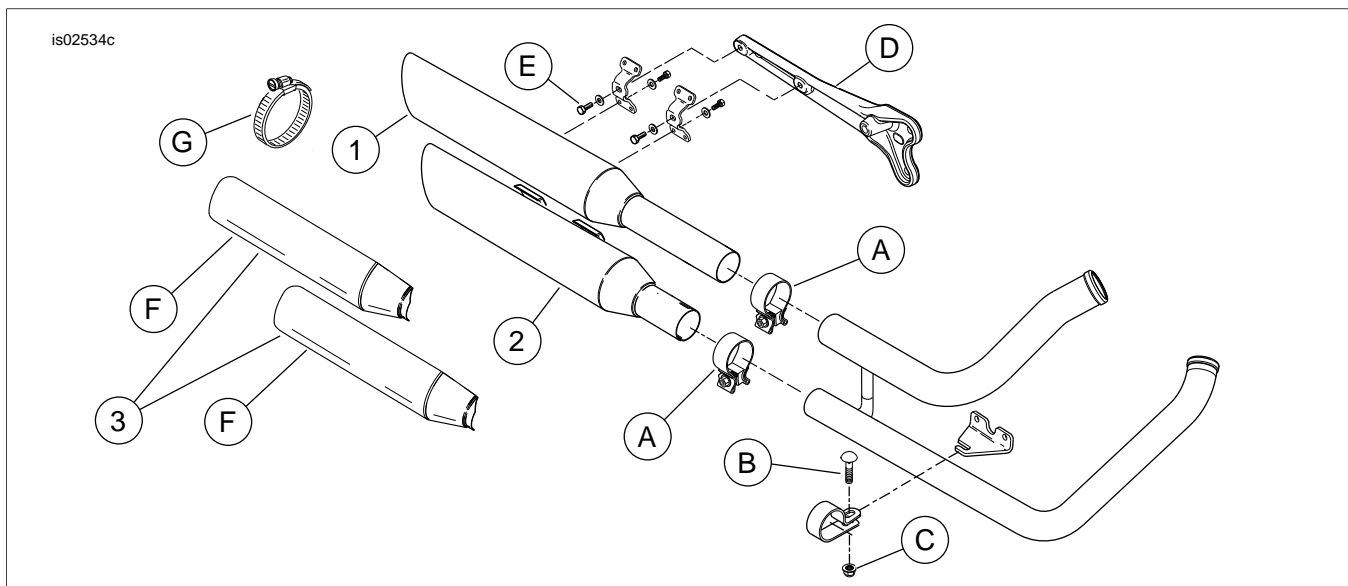


Figure 1. Service Parts: Shotgun Style Accessory Slip-On Muffler Kits