

7. Parts catalog

How to use this parts catalog

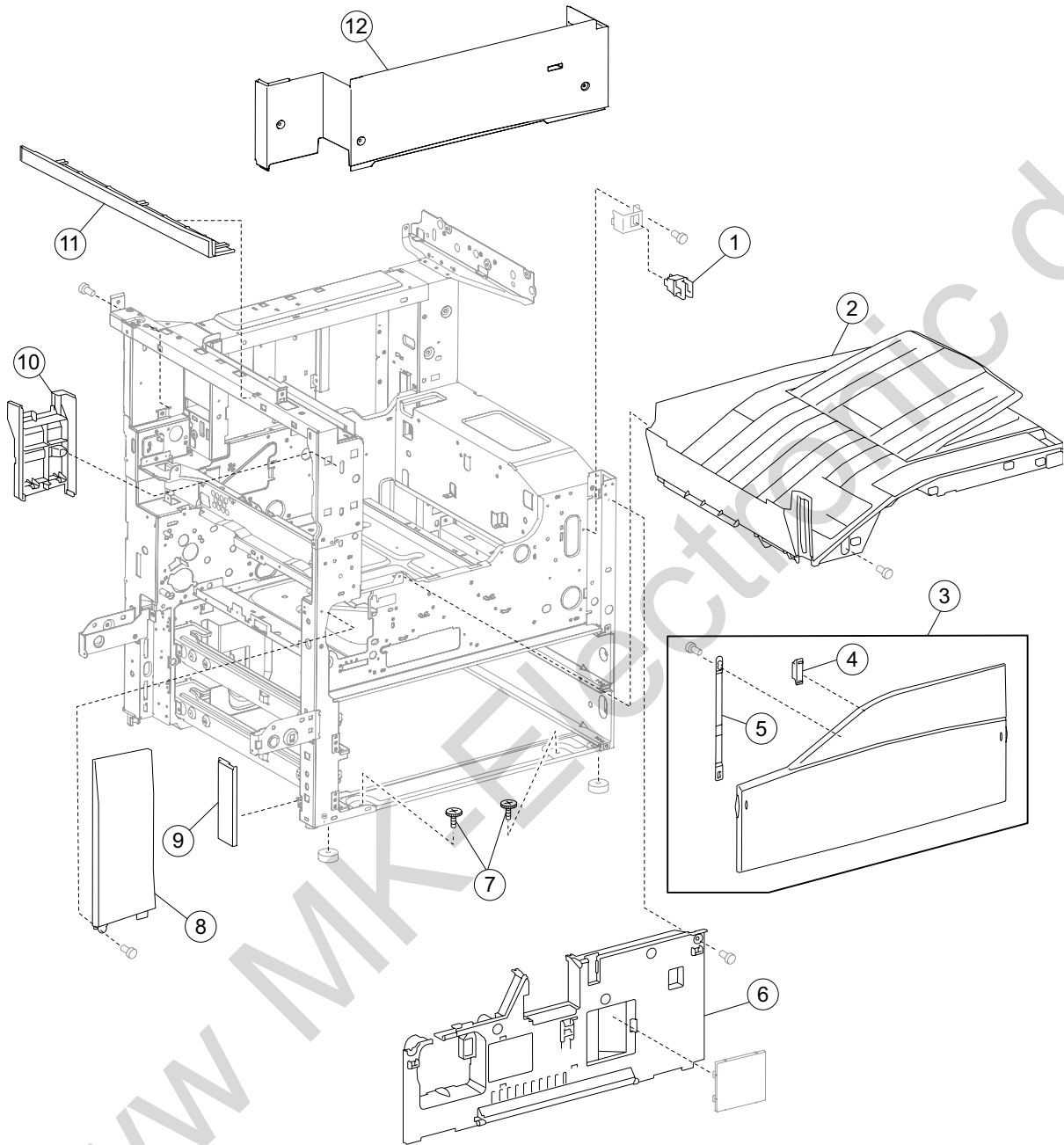
The following legend is used in the parts catalog:

Asm Index	Part number	Units/mach	Units/kit or pkg	Description
-----------	-------------	------------	------------------	-------------

- **Assembly-index:** Identifies the assembly and the item in the diagram. For example 3-1 indicates Assembly 3 and the item number 1 in the table.
- **Part number:** Identifies the unique number that identifies this FRU.
- **Units/mach:** Refers to the number of units actually used in the base machine or product.
- **Units/kit or pkg:** Refers to the number of units packaged together and identified by the part number.
- **NS:** (Not shown) in the assembly-Index column indicates that the part is procurable but is not pictured in the illustration.
- **PP:** (Parts Packet) in the parts description column indicates the part is contained in a parts packet.

Model name	Configuration	Machine type	Speed
Lexmark X850e	Network	7500-000	35 PPM
Lexmark X852e	Network	7500-100	45 PPM
Lexmark X854e	Network	7500-200	55 PPM

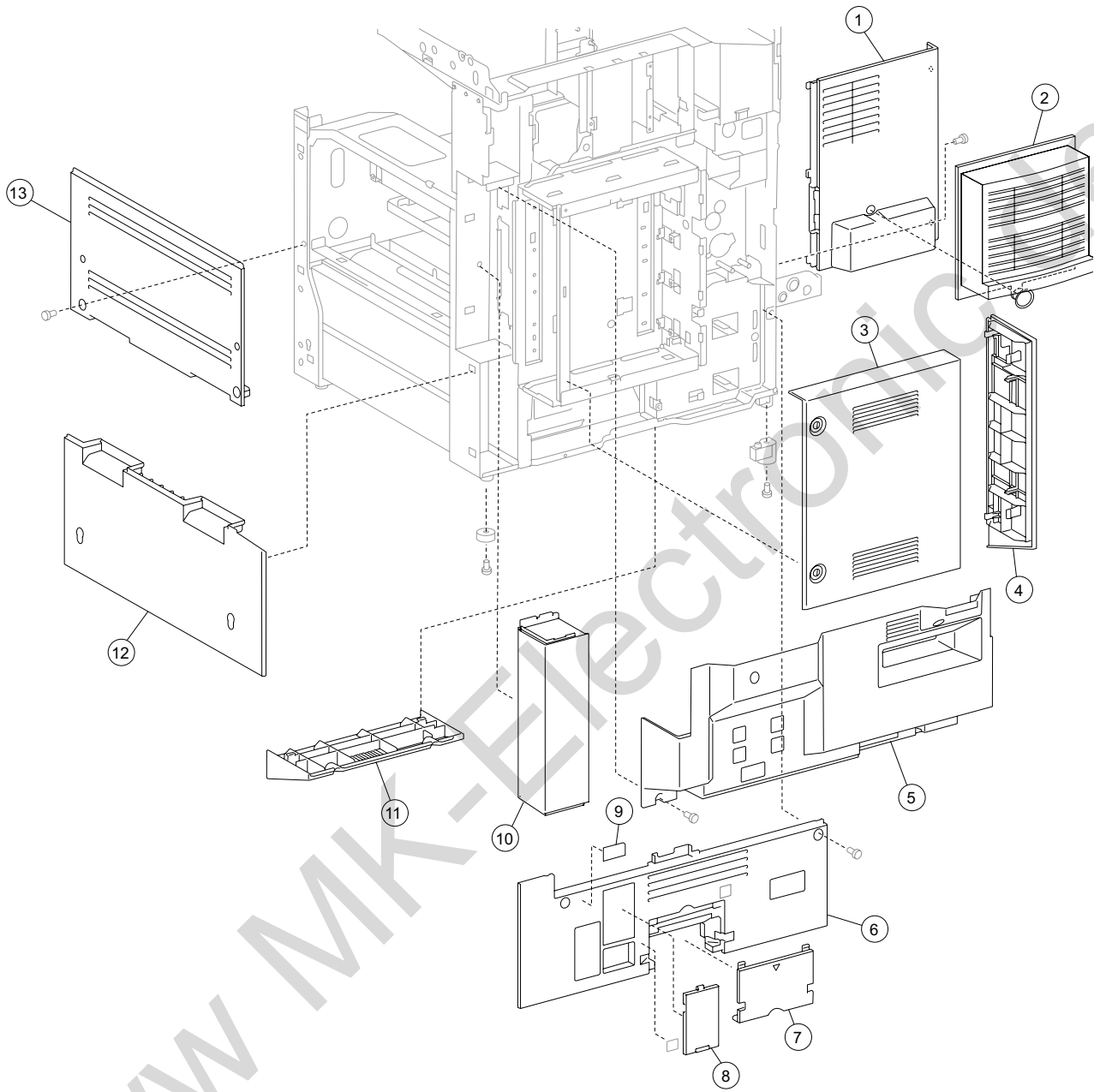
Assembly 1: Covers (1 of 2)



Assembly 1: Covers (1 of 2)

Asm Index	Part number	Units/mach	Units/kit or pkg	Description
1-1	40X0553	1	1	Switch (printer front door interlock)
2	40X2366	1	1	Top cover assembly
3	40X2385	1	1	Printer front door assembly
4	40X0560	1	1	Front door magnetic catch
5	40X0561	1	1	Front door support strap
6	40X0562	1	1	Front inner cover
7	40X0960	1	2	2TM/TTM retaining screws
8	40X2294	1	1	Front left cover
9	40X0550	1	1	Left lower cover
10	40X2296	1	1	Front interior cover
11	40X2297	1	1	Left upper cover
12	40X2295	1	1	Rear interior cover

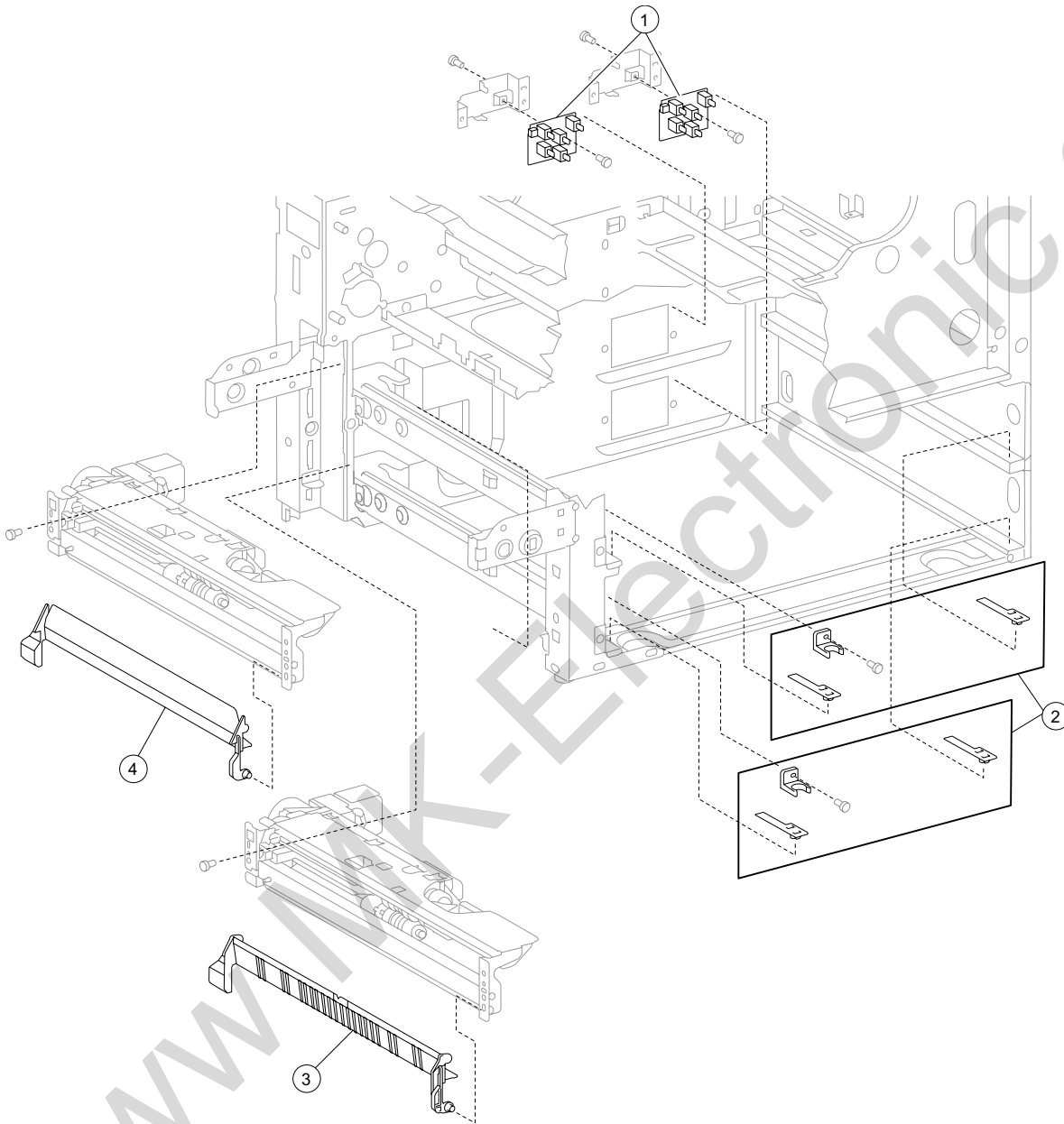
Assembly 2: Covers



Assembly 2: Covers

Asm Index	Part number	Units/mach	Units/kit or pkg	Description
1-1	40X2300	1	1	Rear motor cover
2	40X2382	1	1	TVOC filter assembly
3	40X2304	1	1	Rear RIP card cover
4	40X2306	1	1	Controller box side cover
5	40X2301	1	1	Rear Upper cover
6	40X2386	1	1	Rear lower cover (110V)
6	40X2387	1	1	Rear lower cover (220V)
7	40X0568	1	1	Option hookup cover
8	40X2302	1	1	Rear lower cap cover
9	40X2303	1	1	GFI label
10	40X2299	1	1	Rear corner cover
11	40X2305	1	1	Controller box lower cover
12	40X0564	1	1	Right lower cover
13	40X0563	1	1	Right upper cover

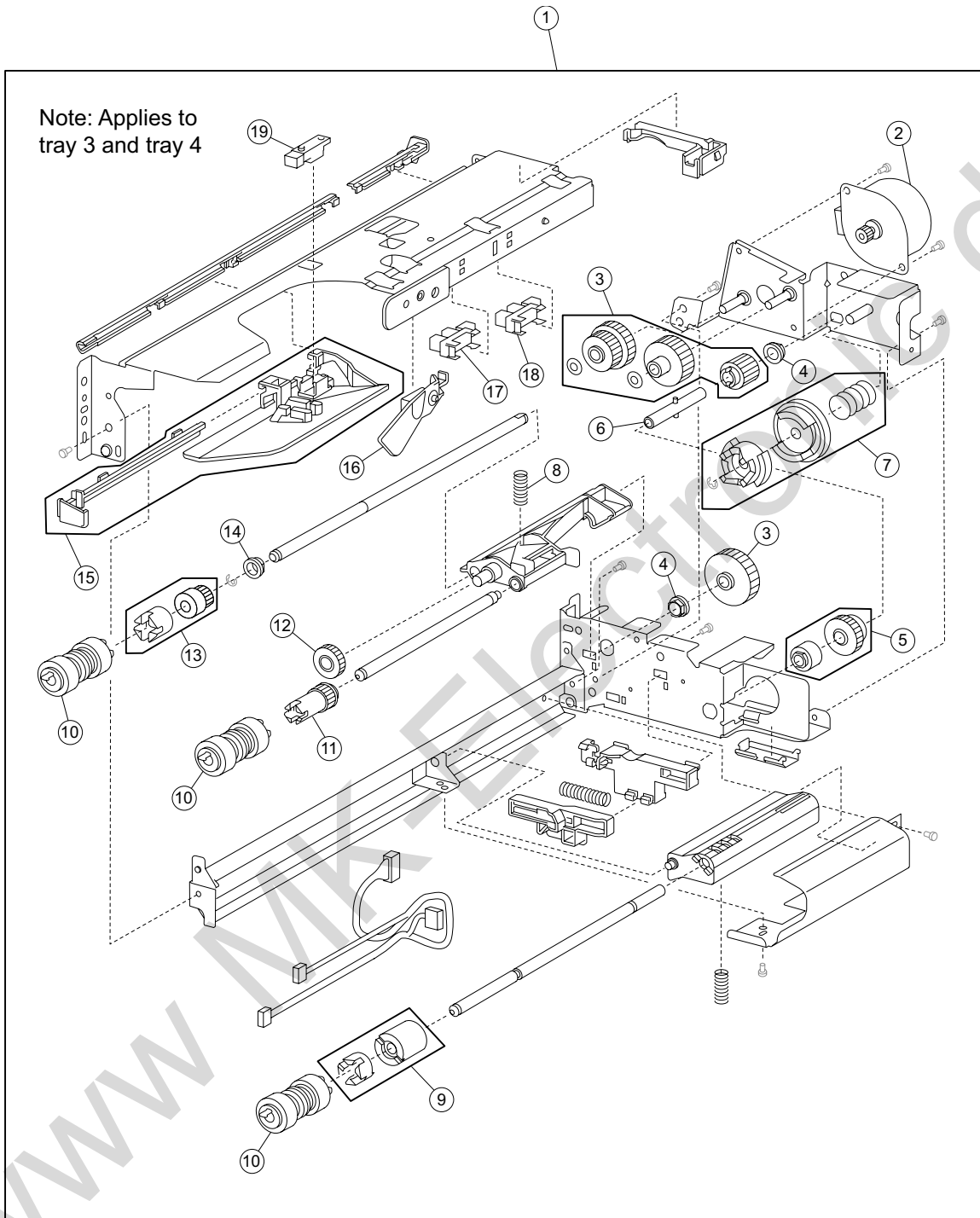
Assembly 3: Media feed unit



Assembly 3: Media feed unit

Asm Index	Part number	Units/mach	Units/kit or pkg	Description
3-1	40X0570	2	1	Switch (media size)
2	40X0569	2	3	Media tray catch kit includes: <ul style="list-style-type: none"> • Media tray catch • Media tray slide (2 each)
3	40X0572	1	1	Vertical turn guide
4	40X0571	1	1	Vertical turn mylar guide

Assembly 4: Media feed unit exploded (tray 1 and tray 2)

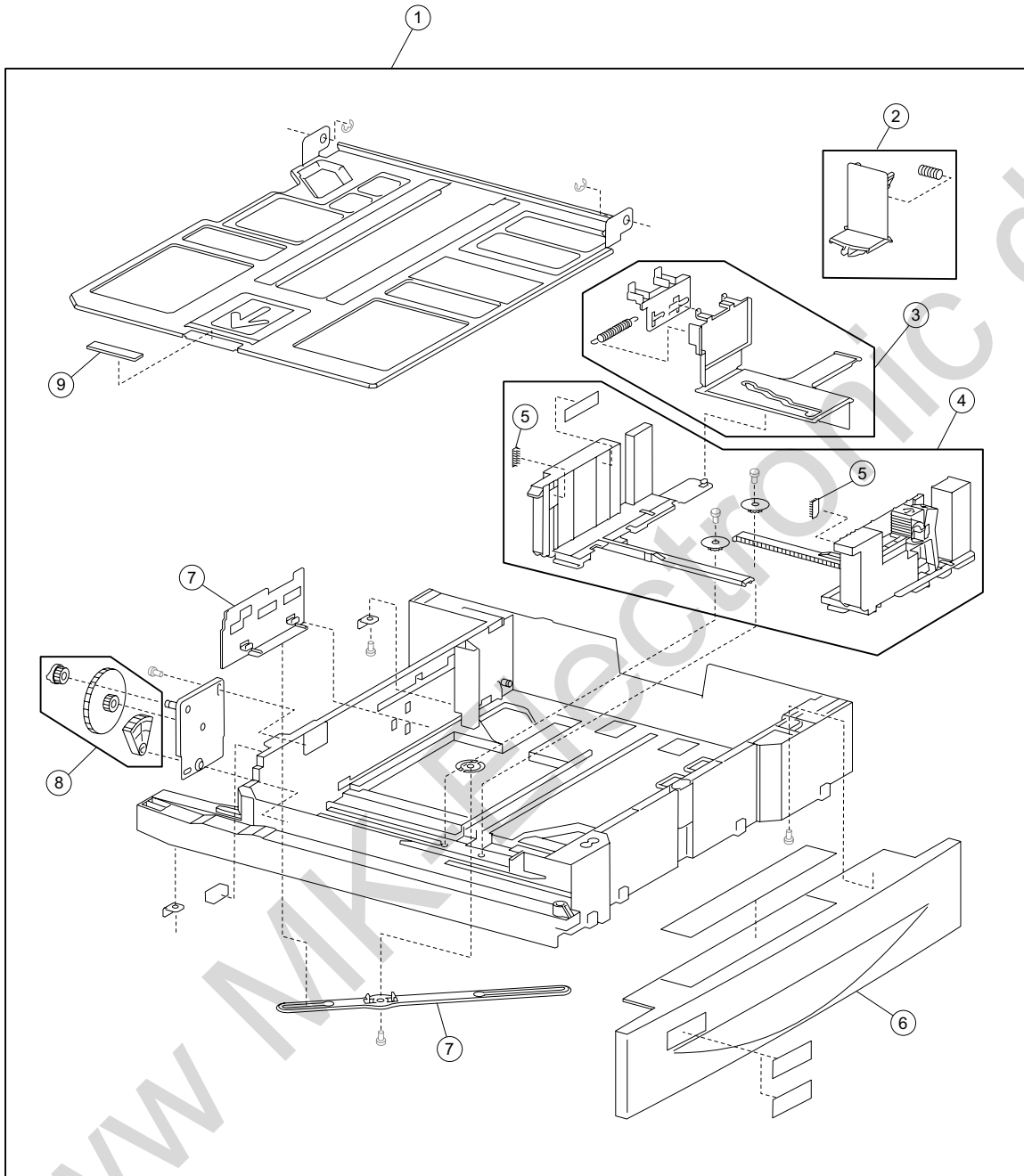


Assembly 4: Media feed unit exploded (tray 1 and tray 2)

Asm Index	Part number	Units/mach	Units/kit or pkg	Description
4-1	40X0581	2	1	Media feed unit assembly
2	40X0582	2	1	Media feed lift motor
3	40X0585	2	6	Media feed drive gear kit includes: <ul style="list-style-type: none"> • Media feed unit drive gear 13T • Media feed unit drive gear 28/21T • Media feed unit drive gear 29T • Media feed unit drive gear 27T • 2 mm washer (2 each) Note: The graphic on the previous page, shows two #3 callouts. These callouts are the items that make up the media feed drive gear kit.
4	40X0880	2	1	Bushing 6 mm
5	40X0967	2	2	Media tray lift one-way clutch/gear kit includes: <ul style="list-style-type: none"> • Media tray lift one-way clutch • Media tray lift one-way gear
6	40X0968	2	1	Media tray lift one-way shaft
7	40X0583	2	3	Tray lift coupling kit includes: <ul style="list-style-type: none"> • Tray lift coupling • Tray lift coupling gear 31T • Spring
8	40X0590	2	1	Pick roll assembly spring
9	40X0593	2	2	Separation roll friction clutch kit includes: <ul style="list-style-type: none"> • Separation roll one-way friction clutch • Separation roll spacer
10	40X0594	2	6	Feed unit roll kit includes: <ul style="list-style-type: none"> • Feed roll (2 each) • Pick roll (2 each) • Separation roll (2 each)
11	40X0970	2	1	Pick roll drive gear
12	40X0969	2	1	Pick roll idler gear
13	40X0591	2	2	Feed roll one-way clutch kit includes: <ul style="list-style-type: none"> • Feed roll one-way clutch • Feed roll one-way gear 22T
14	40X0952	2	1	Bushing 6 mm
15	40X0586	2	2	Media feed unit front guide kit includes: <ul style="list-style-type: none"> • Media feed unit front guide • Media feed unit front guide rail
16	40X0587	2	1	Media out actuator
17	40X0588	2	1	Sensor (media out)
18	40X0588	2	1	Sensor (media level)
19	40X0589	2	1	Sensor (pre-feed)

Note: Assembly index items 17 and 18 are identical sensors with different functions; therefore, they are the same part number with different descriptions.

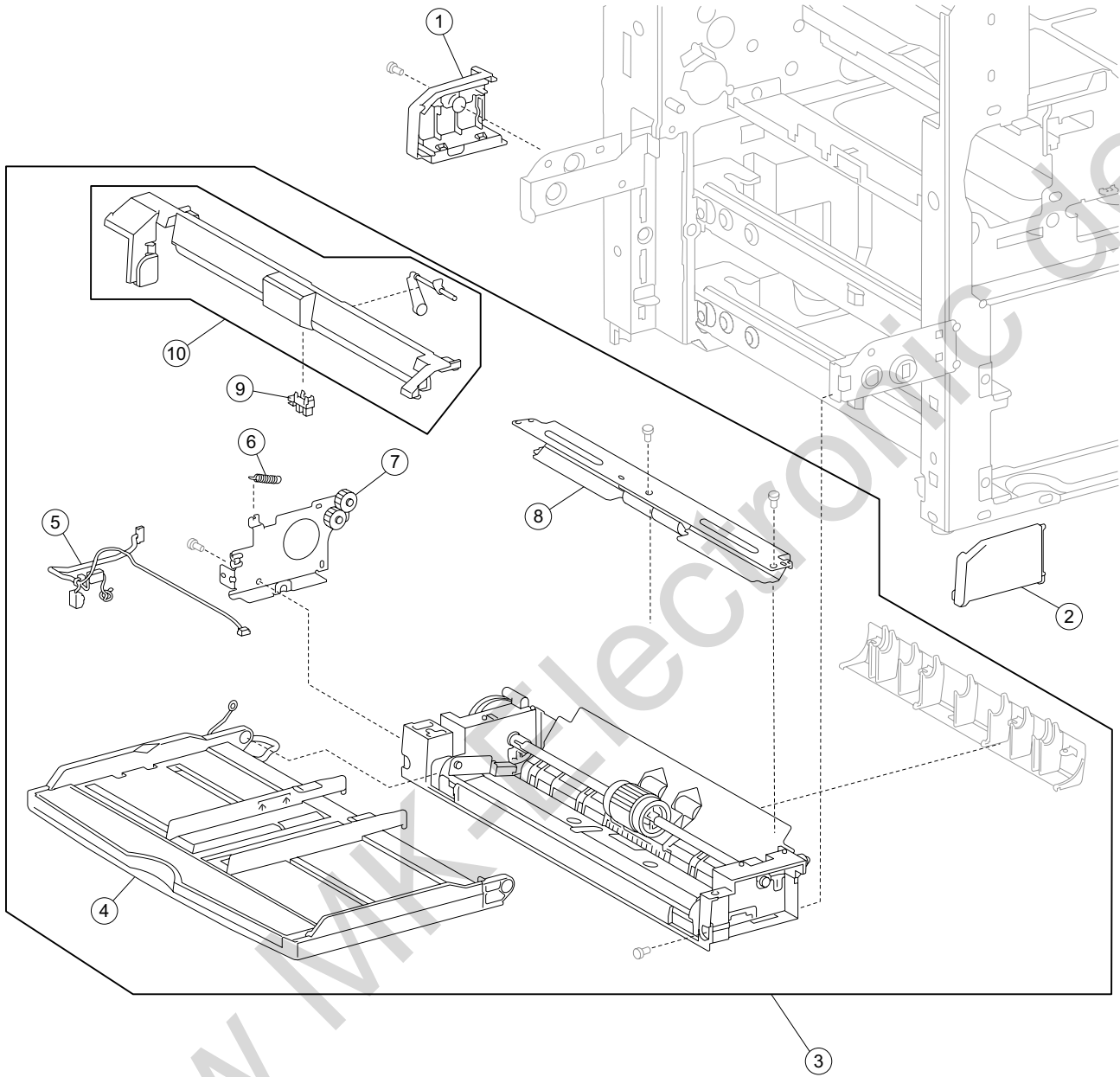
Assembly 5: Media tray



Assembly 5: Media tray

Asm Index	Part number	Units/mach	Units/kit or pkg	Description
5-1	40X0573	2	3	Media tray assembly includes: (this comes assembled) <ul style="list-style-type: none"> • Media tray assembly • Labels (2 each)
2	40X0578	2	2	Media tray end guide kit includes: <ul style="list-style-type: none"> • Media tray end guide • Spring
3	40X0577	2	3	Media tray side guide actuator kit includes: <ul style="list-style-type: none"> • Media tray side guide actuator • Media tray side guide slide • Spring
4	40X0576	2	5	Media tray side guide kit includes: <ul style="list-style-type: none"> • Media max label • Front media tray guide assembly • Rear media tray guide • Pinion gear (2 each)
5	40X0966	4	1	Media tray separation brush
6	40X0574	2	1	Media tray front cover includes: <ul style="list-style-type: none"> • Media tray front cover • Labels (2 each)
7	40X0579	2	2	Media tray end guide actuator kit includes: <ul style="list-style-type: none"> • Media end guide actuator • Actuator link <p>Note: The graphic on the previous page, shows two #7 callouts. These callouts are the two items that make up the media tray end guide actuator kit.</p>
8	40X0580	2	3	Media tray lift gear kit includes: <ul style="list-style-type: none"> • Tray lift coupling gear 13T • Tray lift gear 13/60T • Tray lift sector gear 12T
9	40X0965	2	1	Media tray separation pad

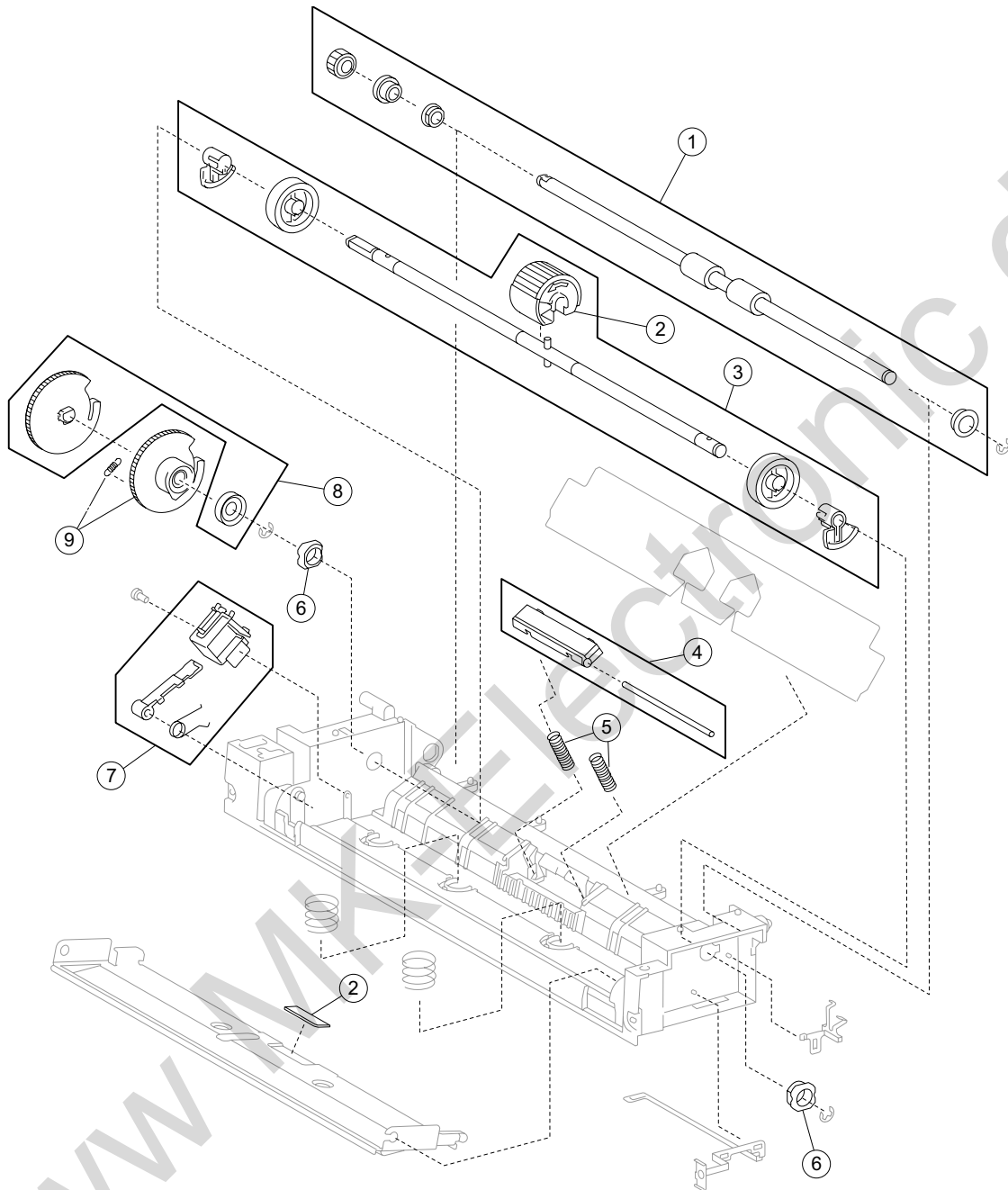
Assembly 6: MPF unit



Assembly 6: MPF unit

Asm Index	Part number	Units/mach	Units/kit or pkg	Description
6-1	40X0600	1	1	MPF rear cover
2	40X0599	1	1	MPF front cover
3	40X0595	1	1	MPF feed unit assembly
4	40X0608	1	1	MPF fold down tray assembly
5	40X0597	1	1	MPF unit cable assembly
6	40X0755	1	1	MPF pickup spring
7	40X0598	1	1	MPF idler gear bracket assembly
8	40X0601	1	1	MPF transport pinch roll assembly
9	40X0588	1	1	Sensor (MPF media out)
10	40X0596	1	2	MPF media out actuator kit includes: <ul style="list-style-type: none"> • MPF media out actuator • Upper frame

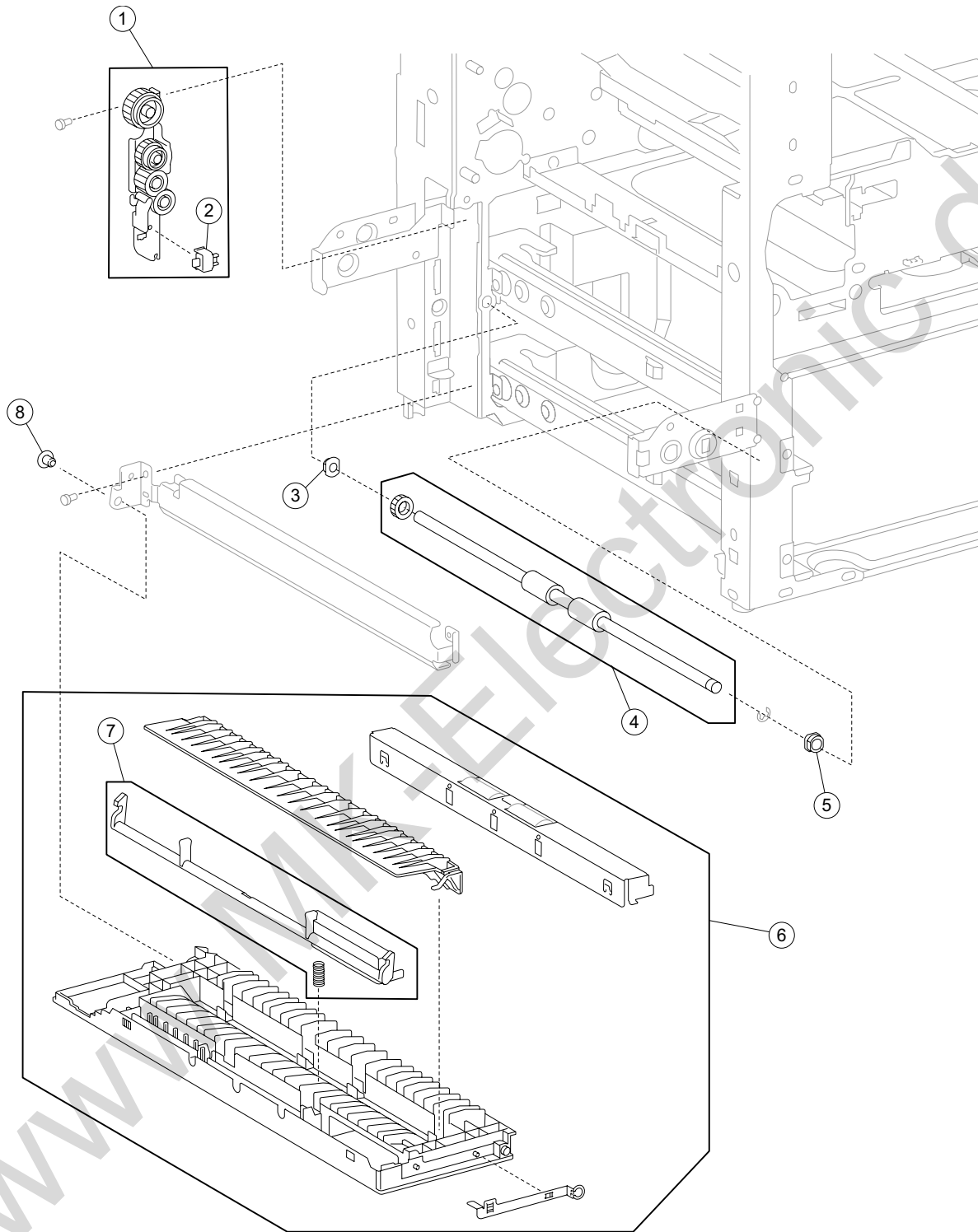
Assembly 7: MPF unit feed



Assembly 7: MPF unit feed

Asm Index	Part number	Units/mach	Units/kit or pkg	Description
7-1	40X0605	1	5	MPF transport roll kit includes: <ul style="list-style-type: none"> • MPF transport shaft collar • MPF transport gear 18T • MPF transport roll assembly • Bushing 8 mm (2 each)
2	40X0603	1	2	MPF pick roll kit includes: <ul style="list-style-type: none"> • MPF pressure pad • MPF pick roll assembly
3	40X1382	1	6	MPF feed shaft kit includes: <ul style="list-style-type: none"> • MPF feed shaft • MPF feed shaft cam rear • MPF feed shaft cam front • MPF feed shaft roll core (2 each) • MPF feed roll assembly
4	40X0974	1	2	MPF pressure pad kit includes: <ul style="list-style-type: none"> • Shaft • MPF pressure pad
5	40X1380	2	1	MPF pressure pad spring
6	40X1381	2	1	MPF feed shaft bushing
7	40X0606	1	3	MPF pick solenoid kit includes: <ul style="list-style-type: none"> • Pick lever • Pick solenoid • Spring
8	40X0971	1	2	MPF feed drive gear kit includes: <ul style="list-style-type: none"> • MPF feed gear • MPF feed gear stopper
9	40X0973	1	2	MPF feed cam gear kit includes: <ul style="list-style-type: none"> • MPF feed cam gear • Spring

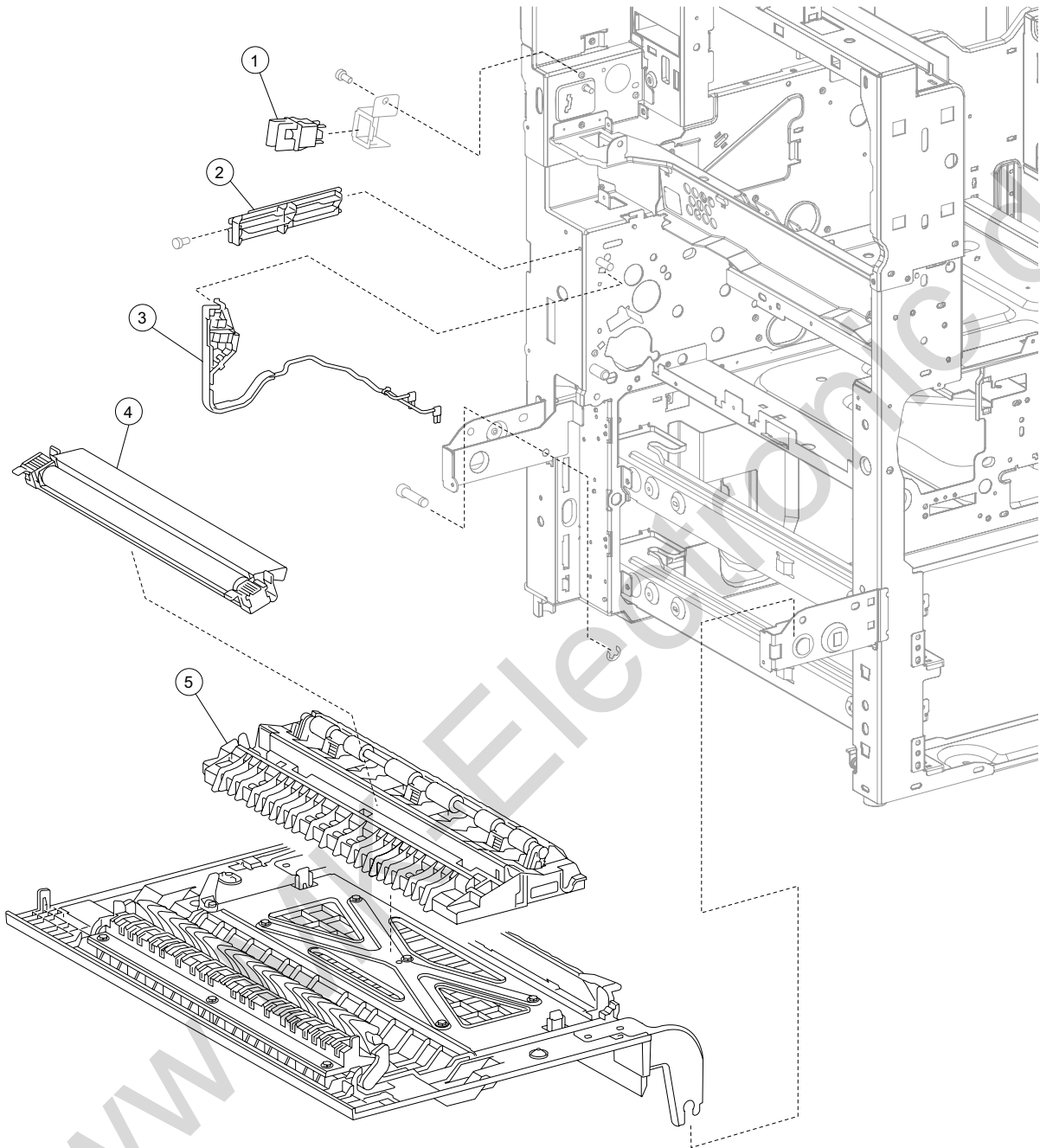
Assembly 8: Left lower door and transport



Assembly 8: Left lower door and transport

Asm Index	Part number	Units/mach	Units/kit or pkg	Description
8-1	40X0609	1	1	Vertical drive gear assembly
2	40X0610	1	1	Switch (left lower door interlock)
3	40X1386	1	1	Bushing 6 mm (transport roll rear)
4	40X1387	1	2	Transport roll kit includes: <ul style="list-style-type: none"> • Transport roll assembly • Transport roll gear 18T
5	40X1388	1	1	Bushing 8 mm
6	40X0612	1	1	Printer left lower door assembly (this comes assembled)
7	40X0614	1	2	Left lower door handle kit includes: <ul style="list-style-type: none"> • Left lower door handle • Spring
8	40X0613	1	1	Hinge pin

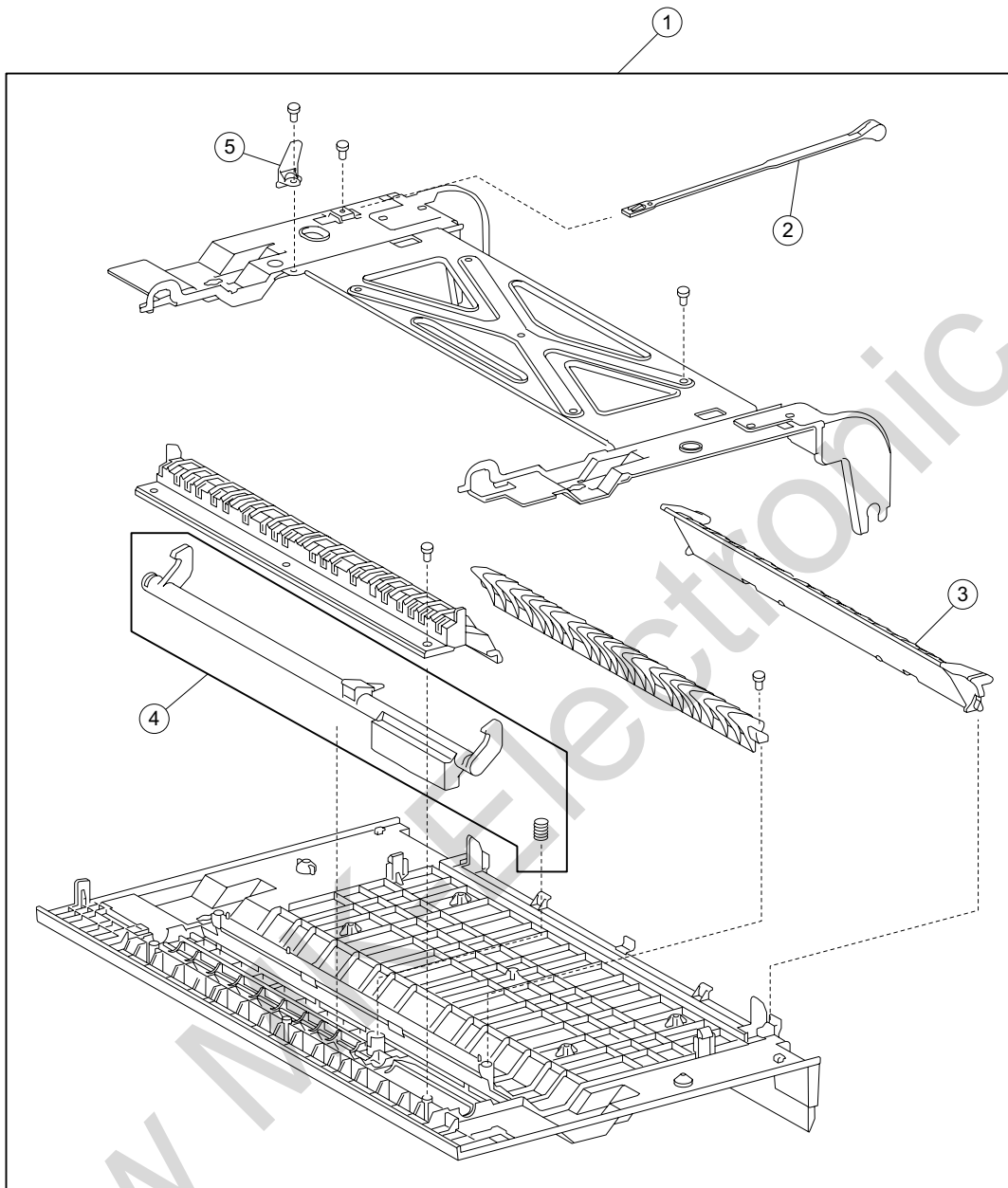
Assembly 9: Left door and transfer roll



Assembly 9: Left door and transfer roll

Asm Index	Part number	Units/mach	Units/kit or pkg	Description
9-1	40X0553	1	1	Switch (printer left door interlock)
2	40X0618	1	1	PC cartridge shutter link
3	40X0617	1	1	Transfer roll power contact
4	40X0616	1	1	Transfer roll assembly
5	40X0619	1	1	Transfer roll guide assembly

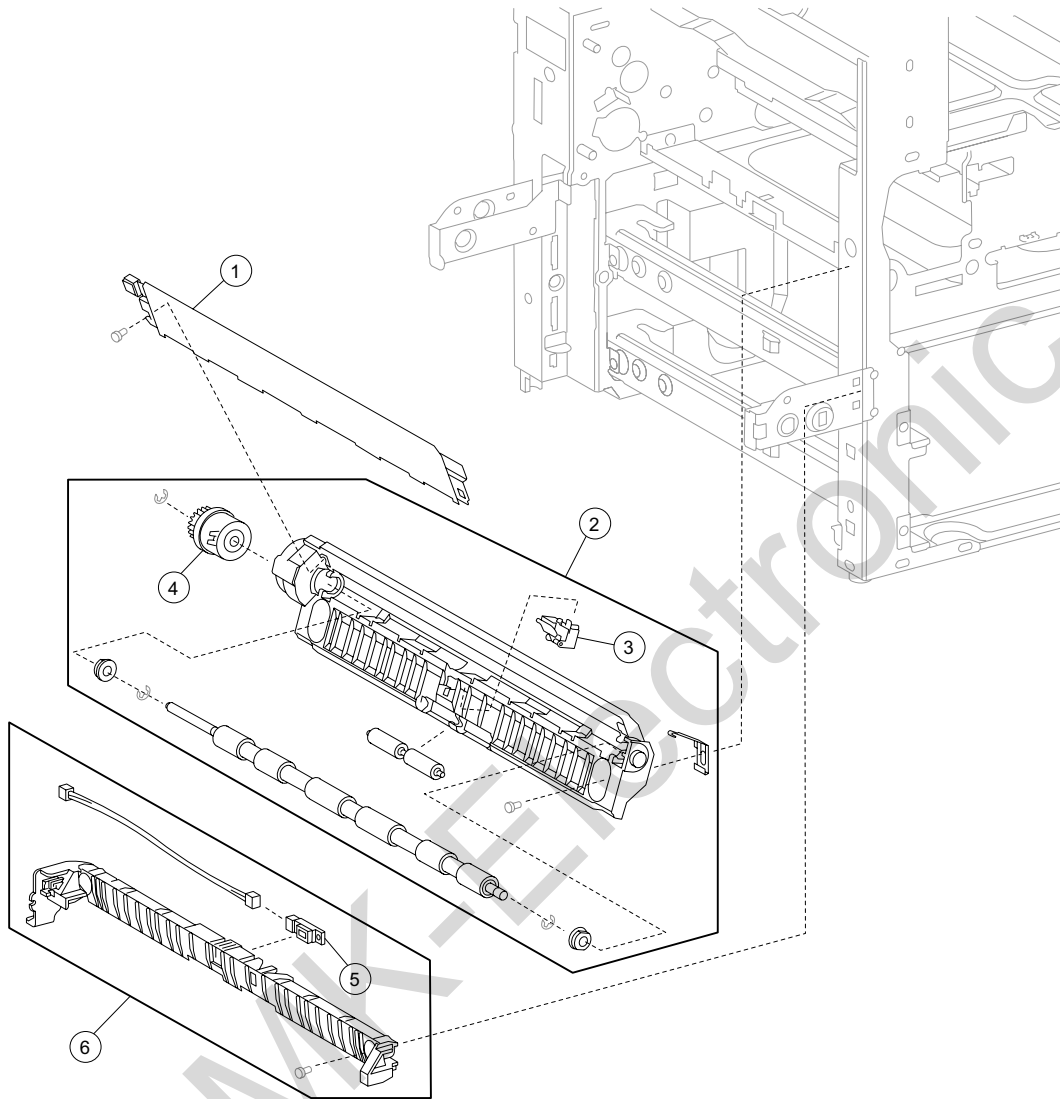
Assembly 10: Printer left door



Assembly 10: Printer left door

Asm Index	Part number	Units/mach	Units/kit or pkg	Description
10-1	40X0620	1	1	Printer left door assembly (this comes assembled)
2	40X0624	1	1	Printer left door support strap
3	40X0623	1	1	Left door duplex entrance guide
4	40X0621	1	2	Printer left door assembly handle kit includes: <ul style="list-style-type: none"> • Printer left door assembly handle • Spring
5	40X0622	1	1	PC cartridge shutter actuator

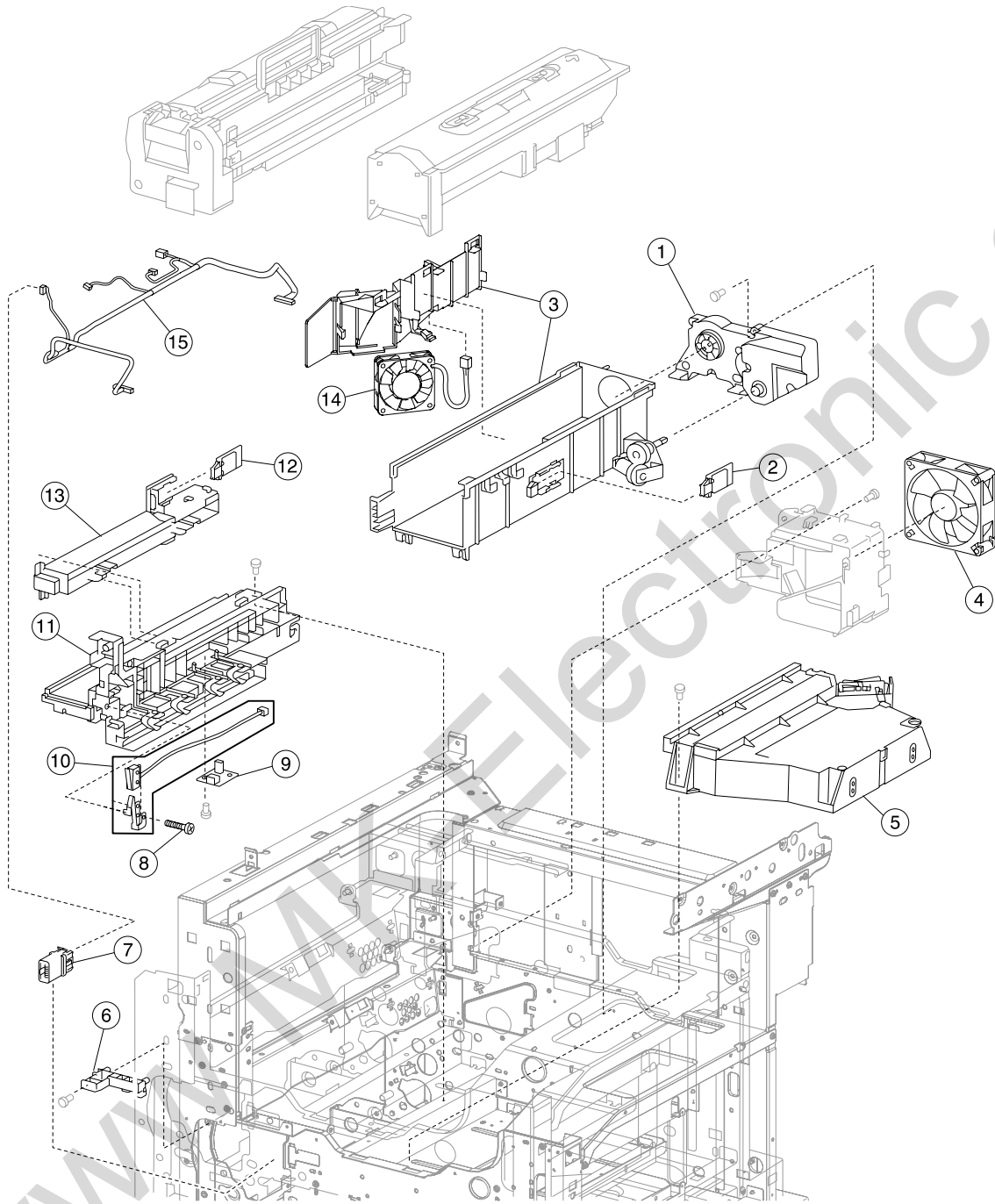
Assembly 11: Registration



Assembly 11: Registration

Asm Index	Part number	Units/mach	Units/kit or pkg	Description
11-1	40X0628	1	1	Registration mylar guide assembly (this comes assembled)
2	40X0625	1	1	Registration roll assembly
3	40X0627	1	1	Sensor (registration)
4	40X0626	1	1	Registration clutch
5	40X0589	1	1	Sensor (tray 2 feed-out)
6	40X0630	1	1	Tray 2 feed-out sensor guide (this comes assembled)

Assembly 12: Printhead, cartridge guides, and fans

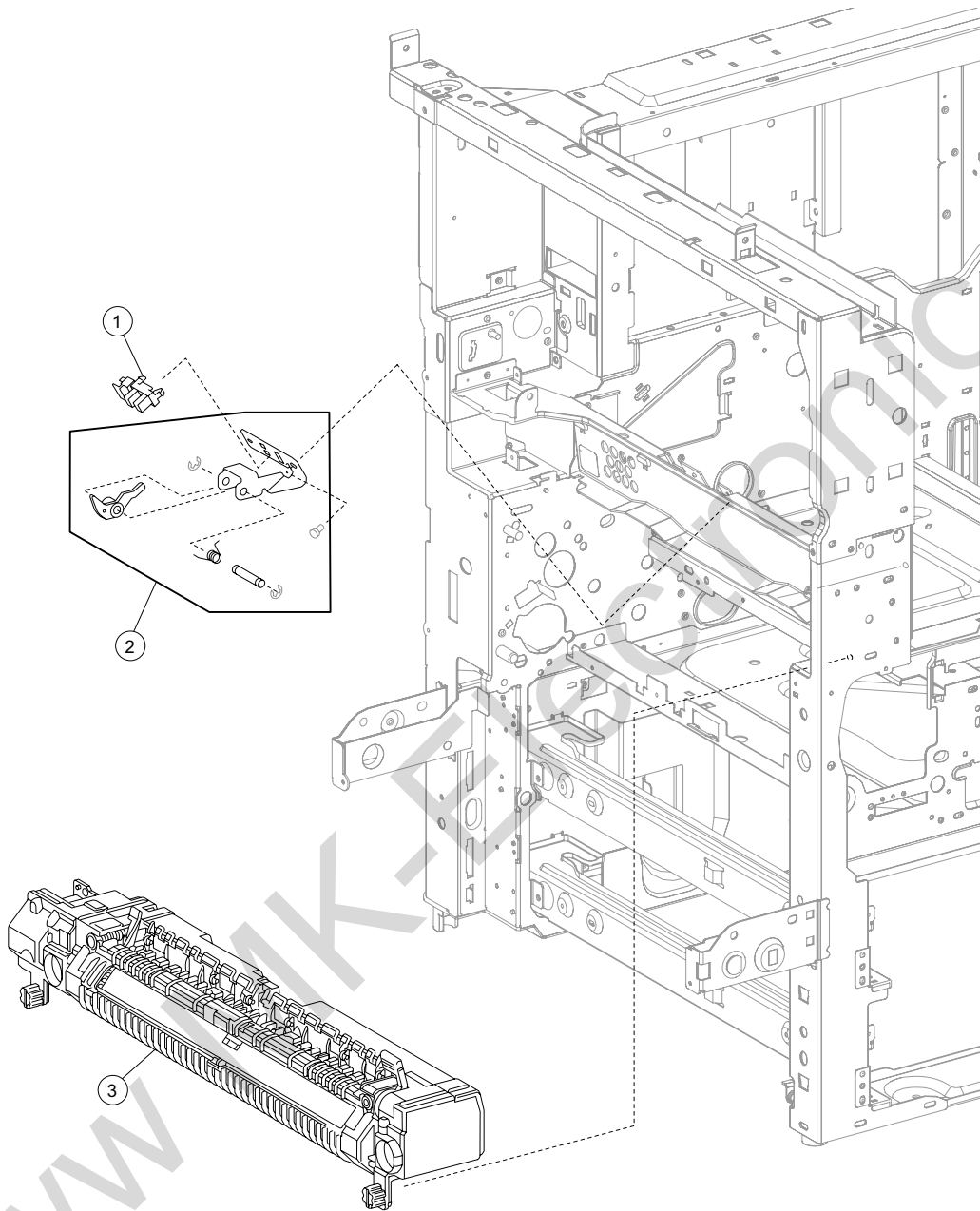


Assembly 12: Printhead, cartridge guide and fans

Asm Index	Part number	Units/mach	Units/kit or pkg	Description
12-1	40X0639	1	1	Toner add motor assembly
2	40X0636	1	1	Sensor (RFID toner cartridge)
3	40X0638	1	2	Toner cartridge guide kit includes: <ul style="list-style-type: none"> • Toner cartridge guide assembly • PC cartridge cooling fan duct
4	40X0640	1	1	Fuser cooling fan
5	40X0641	1	1	Printhead assembly
6	40X0631	1	1	PC cartridge stop
7	40X0644	1	1	PC cartridge sensor connector
8	40X1389	1	1	PC cartridge interlock switch screw
9	40X0633	1	1	Sensor (hum & temp)
10	40X1390	1	2	Switch (PC cartridge interlock) kit includes: <ul style="list-style-type: none"> • Backup spring • Switch (PC cartridge interlock)
11	40X0634	1	1	PC cartridge guide assembly
12	40X0636	1	1	Sensor (RFID PC cartridge)
13	40X0635	1	1	Laser opening guide
14	40X0643	1	1	PC cartridge cooling fan
15	40X0637	1	1	Multi connector cable assembly 1

Note: Assembly index items 2 and 11 are identical sensors with different functions; therefore, they are the same part number with different descriptions.

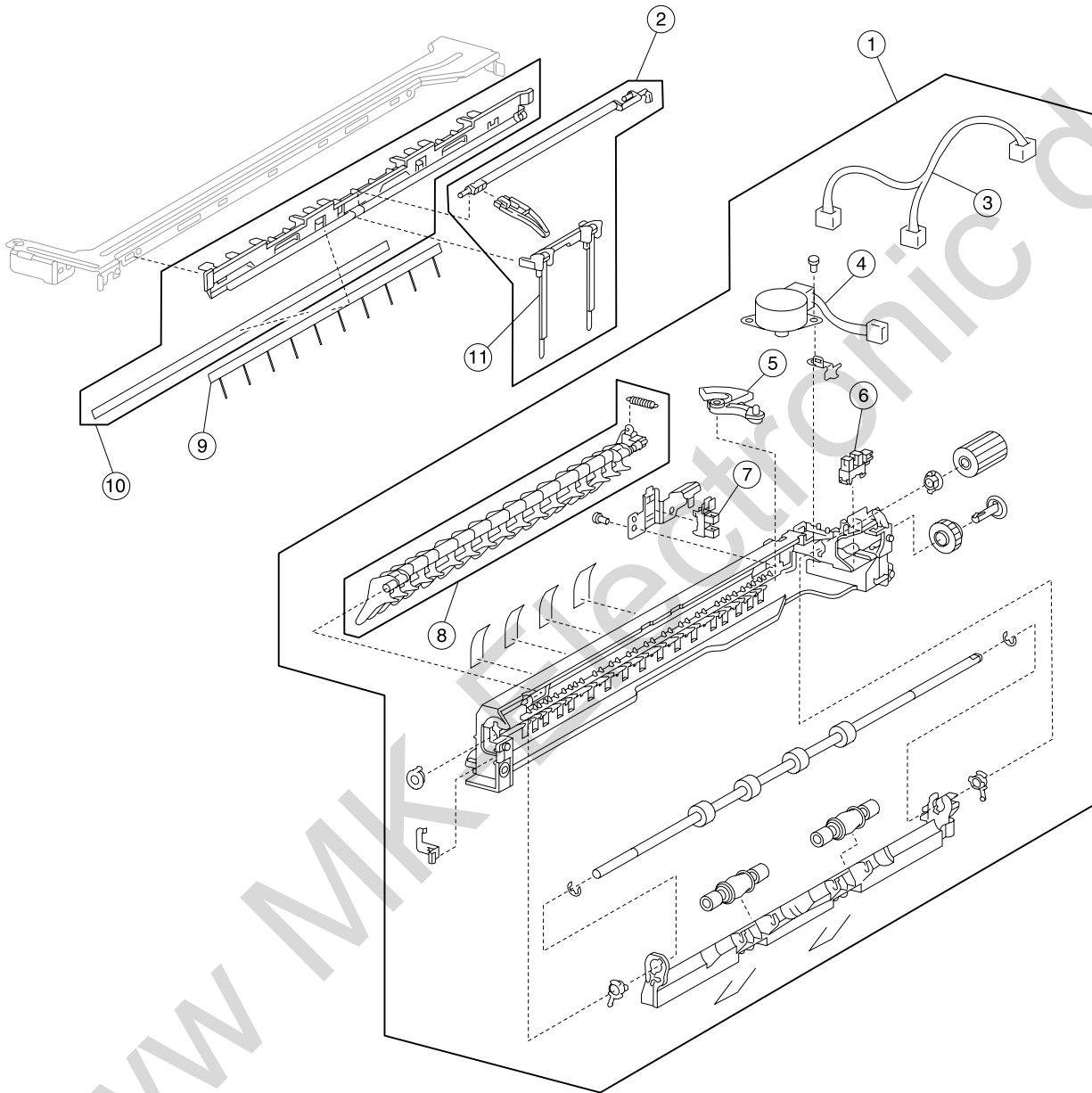
Assembly 13: Fuser



Assembly 13: Fuser

Asm Index	Part number	Units/mach	Units/kit or pkg	Description
13-1	40X0588	1	1	Sensor (fuser exit)
2	40X0645	1	4	Fuser exit actuator kit includes: <ul style="list-style-type: none"> • Shaft • Fuser exit actuator • Spring • Bracket
3	40X2307	1	1	Fuser assembly 110V (this comes assembled)
3	40X2308	1	1	Fuser assembly 220V (this comes assembled)
3	40X2378	1	1	Fuser assembly 100V (this comes assembled)

Assembly 14: Standard Exit 1

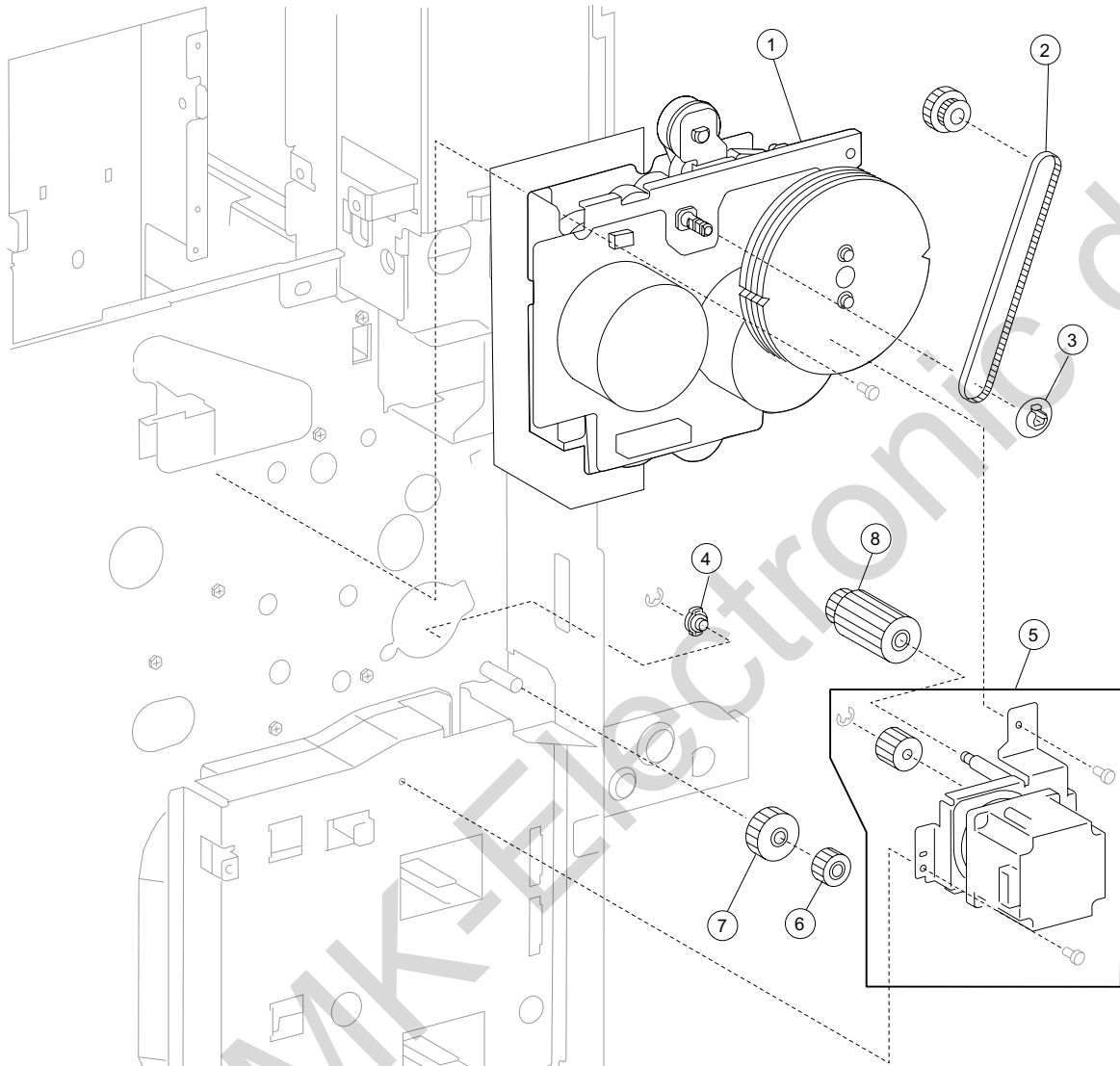


Assembly 14: Standard Exit 1

Asm Index	Part number	Units/mach	Units/kit or pkg	Description
14-1	40X2384	1	1	Exit 1 media shift assembly (this comes assembled)
2	40X0657	1	3	Standard bin full exit 1 actuator kit includes: <ul style="list-style-type: none"> • Standard bin full exit 1 actuator shaft • Standard bin full exit 1 actuator • Output guide
3	40X0650	1	1	Exit 1 sensor cable assembly
4	40X0651	1	1	Media shift motor
5	40X0653	1	1	Exit 1 media shift gear
6	40X0588	1	1	Sensor (standard bin full exit 1)
7	40X0588	1	1	Sensor (exit 1 media shift HP)
8	40X0654	1	2	Media diverter gate kit includes: <ul style="list-style-type: none"> • Media diverter gate • Spring
9	40X1391	1	1	Exit 1 static eliminator
10	40X1392	1	2	Exit 1 media exit guide kit includes: <ul style="list-style-type: none"> • Exit 1 media exit guide • Exit 1 media exit guide pad
11	40X2389	1	1	Output guide

Note: Assembly index items 6 and 7 are identical sensors with different functions; therefore, they are the same part number with different descriptions.

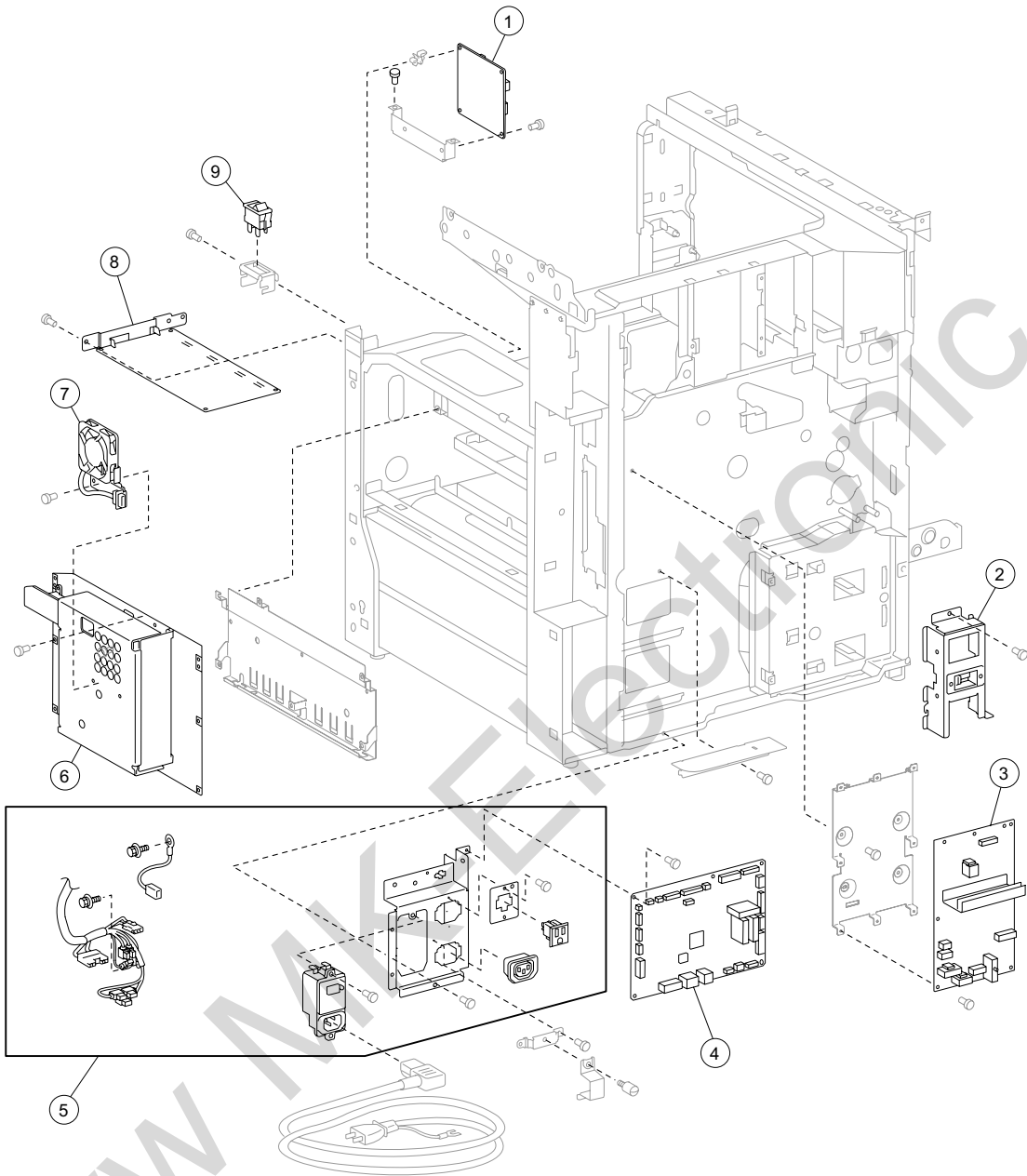
Assembly 15: Dual unit drive motor



Assembly 15: Dual unit drive motor

Asm Index	Part number	Units/mach	Units/kit or pkg	Description
15-1	40X0660	1	1	Dual drive motor assembly
2	40X0659	1	1	Exit 1 drive belt
3	40X0661	1	1	Drive belt flange
4	40X2374	1	1	Transport motor support bushing
5	40X2309	1	1	MPF/transport drive motor assembly
6	40X2373	1	1	MPF drive gear 18T
7	40X2372	1	1	Transport roll drive gear 28T
8	40X2310	1	1	MPF/transport drive gear 19/29T

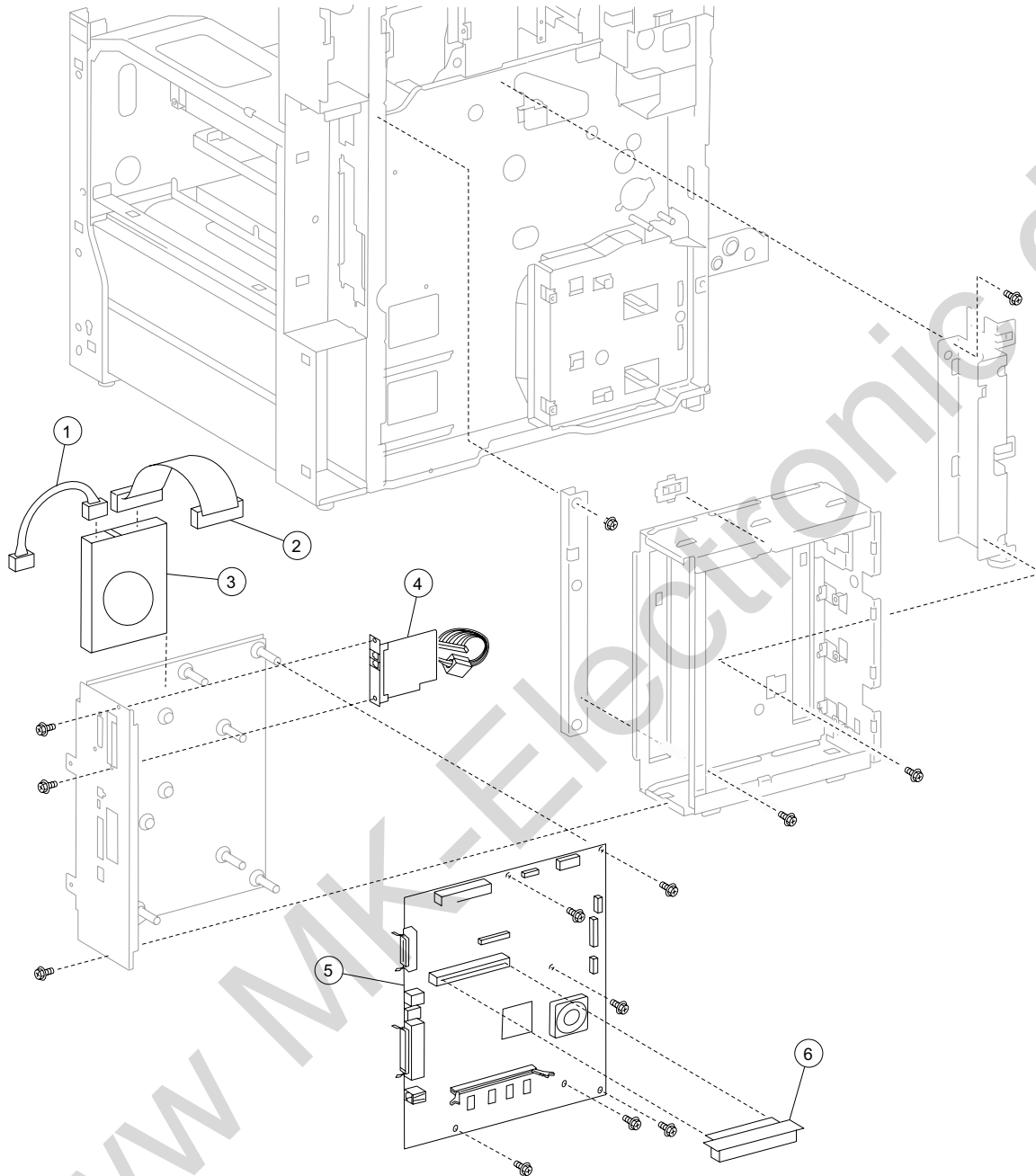
Assembly 16: Electrical



Assembly 16: Electrical

Asm Index	Part number	Units/mach	Units/kit or pkg	Description
16-1	40X0664	1	1	Exit interface card assembly
2	40X0673	1	1	HCF hookup connector assembly
3	40X2314	1	1	AC drive card assembly 110 V
3	40X2315	1	1	AC drive card assembly 220 V
4	40X2316	1	1	Printer engine card assembly X850e
4	40X2379	1	1	Printer engine card assembly X852e
4	40X2380	1	1	Printer engine card assembly X854e
5	40X2313	1	7	AC power input socket kit includes: <ul style="list-style-type: none"> • Screws 4 mm (2 each) • Bracket • AC power input socket • Ground wire • Main AC cable assembly • Finisher AC output
6	40X2312	1	1	Universal LVPS card assembly
7	40X2311	1	1	LVPS cooling fan
8	40X0662	1	1	HVPS
9	40X2388	1	1	Switch (main power)

Assembly 16 (continued): Electrical



Assembly 16 (continued): Electrical

Asm Index	Part number	Units/mach	Units/kit or pkg	Description
16-1	40X2369	1	1	Hard drive power cable assembly
2	40X2370	1	1	Hard drive data cable assembly
3	40X2361	1	1	Hard drive assembly
4	40X2360	1	1	Fax interface card assembly
5	40X2358	1	1	RIP controller card assembly
6	40X2359	1	1	Interconnect card assembly

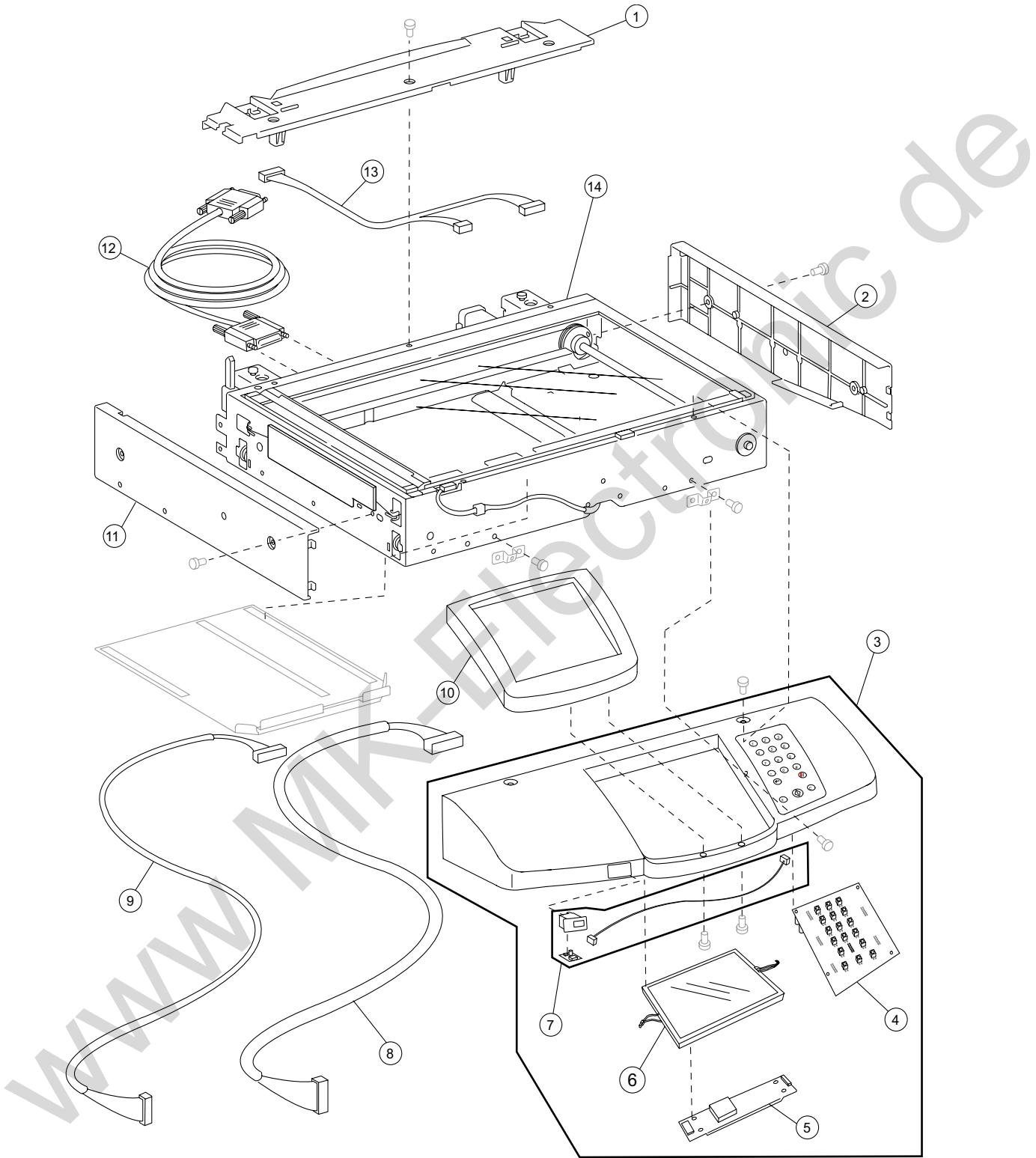
Warning: In the event of replacement of any one of the following components:

- Operator panel assembly (universal)
- Operator panel controller card assembly
- RIP card assembly
- Interconnect card assembly

Only replace one component at a time. Replace the required component, and perform a POR before replacing a second component listed above. If this procedure is not followed, the printer will be rendered inoperable. Never replace two or more of the components listed above without a POR after installing each one, or the printer will be rendered inoperable.

Warning: Never install and remove components listed above as a method of troubleshooting components. Once a component has been installed in a machine, it cannot be used in another machine. It must be returned to the manufacturer.

Assembly 17: Covers and operator panel



Assembly 17: Covers and operator panel

Asm Index	Part number	Units/mach	Units/kit or pkg	Description
17-1	40X2200	1	1	Scanner top rear cover
2	40X2201	1	1	Scanner right cover
3	40X2736	1	1	Operator panel assembly (universal) Note: This operator panel can be used on any X850 Series product. Note: This operator panel does not include the model specific bezel.
4	40X2363	1	1	Operator panel controller card assembly
5	40X2364	1	1	Operator panel inverter card assembly
6	40X2362	1	1	Operator panel user touch screen
7	40X2365	1	1	USB connecto2r/housing/cable
8	40X2203	1	1	Operator panel cable assembly
9	40X2399	1	1	USB cable assembly
10	40X2730	1	1	Operator panel bezel (X850e)
10	40X2731	1	1	Operator panel bezel (X852e)
10	40X2732	1	1	Operator panel bezel (X854e)
11	40X2205	1	1	Scanner left cover
11	40X2219	1	1	Scanner interface cable assembly
13	40X2207	1	1	Scanner PS cable assembly
14	40X2206	1	1	Flatbed scanner unit assembly (this comes assembled) Note: This assembly includes all individual parts on pages 7-38, 7-40, 7-42, and 7-44.

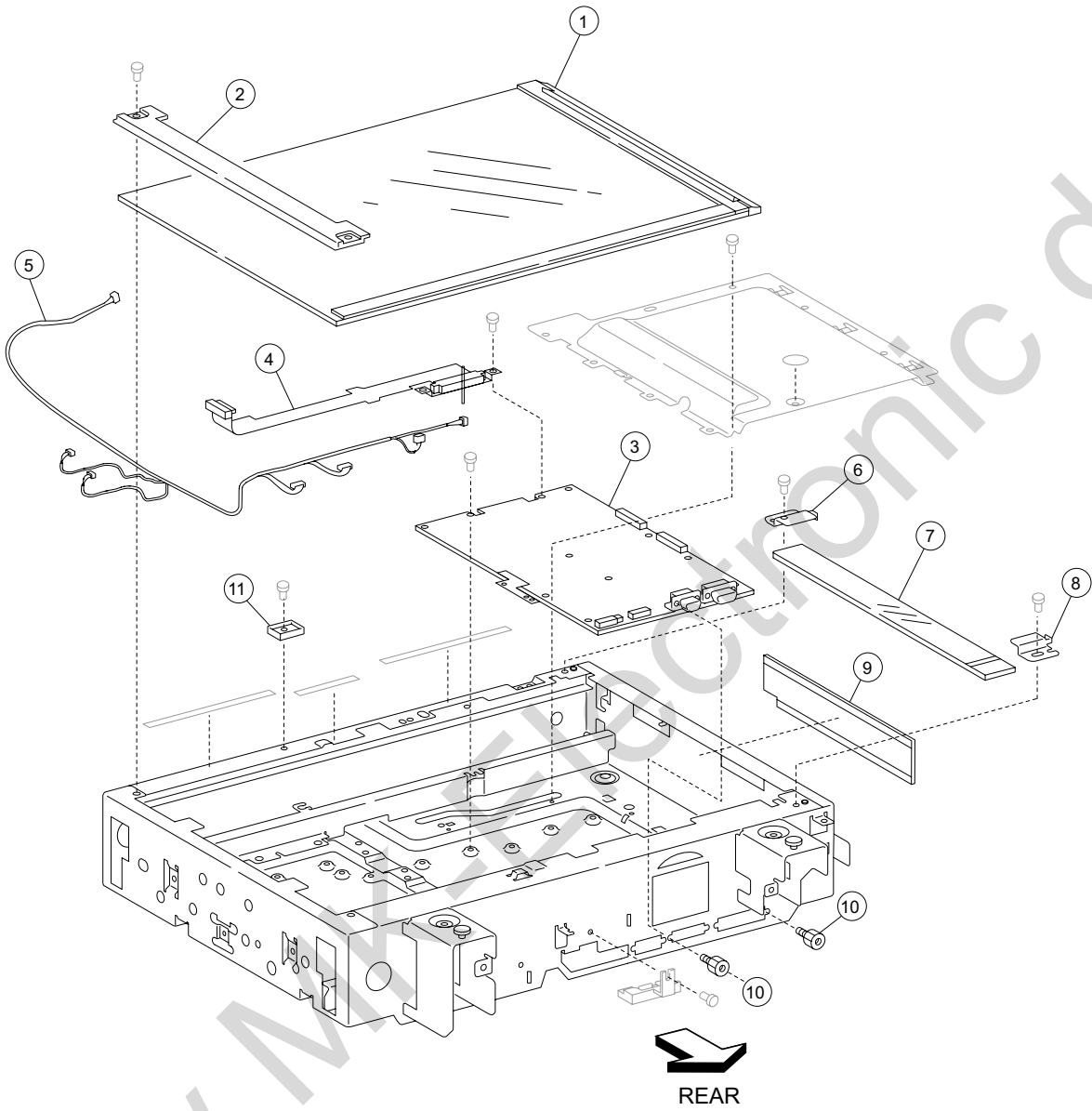
Warning: In the event of replacement of any one of the following components:

- Operator panel assembly (universal)
- Operator panel controller card assembly
- RIP card assembly
- Interconnect card assembly

Only replace one component at a time. Replace the required component, and perform a POR before replacing a second component listed above. If this procedure is not followed, the printer will be rendered inoperable. Never replace two or more of the components listed above without a POR after installing each one, or the printer will be rendered inoperable.

Warning: Never install and remove components listed above as a method of troubleshooting components. Once a component has been installed in a machine, it cannot be used in another machine. It must be returned to the manufacturer.

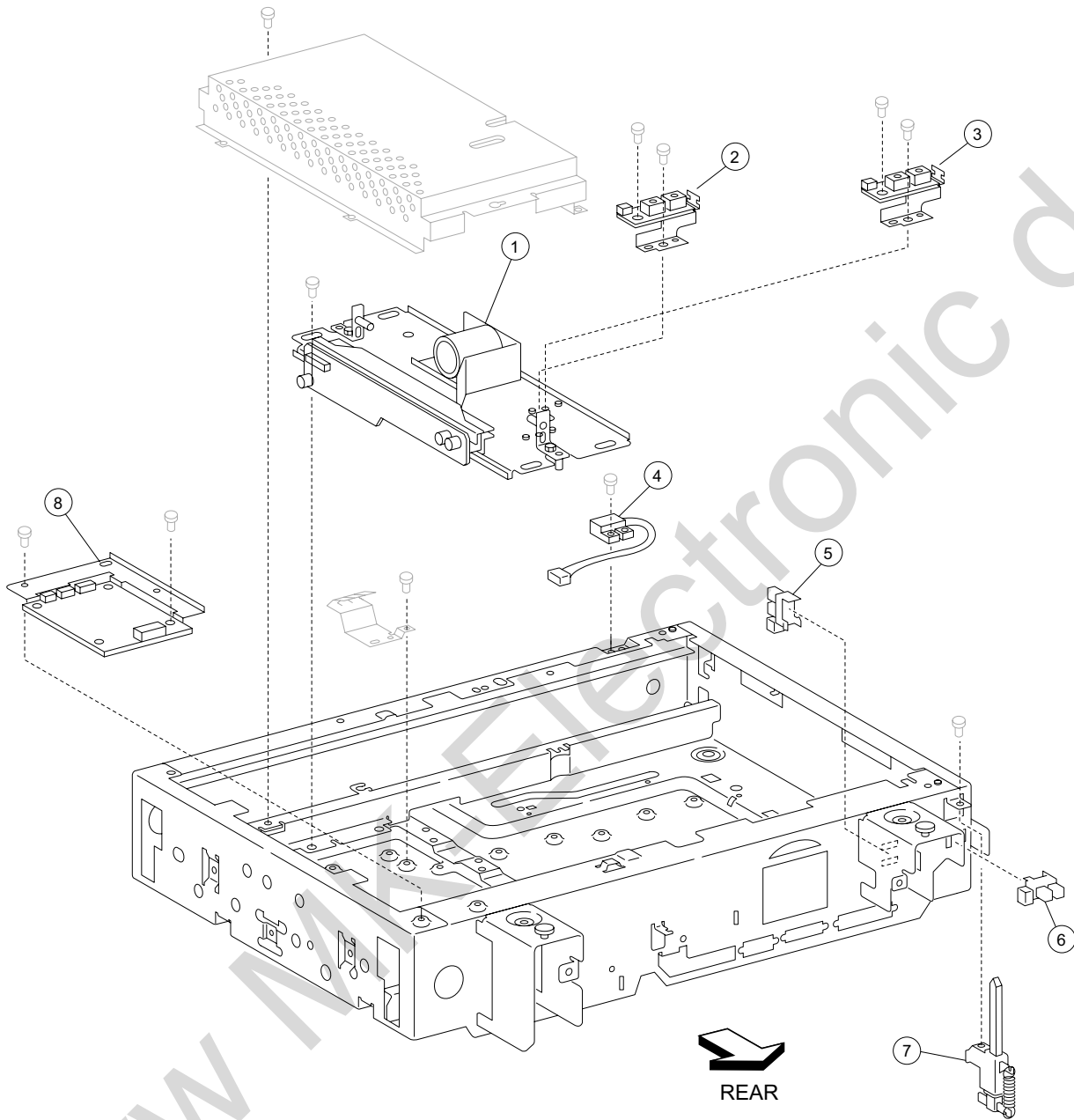
Assembly 18: Platen glass



Assembly 18: Platen glass

Asm Index	Part number	Units/mach	Units/kit or pkg	Description
18-1	40X2208	1	1	Large platen glass
2	40X2209	1	1	Large platen glass retainer cover
3	40X2210	1	1	Scanner controller card assembly
4	40X2211	1	1	CCD ribbon cable assembly
5	40X2212	1	1	Scanner main cable assembly
6	40X2213	1	1	Small platen glass front retainer
7	40X2214	1	1	Small platen glass
8	40X2215	1	1	Small platen glass rear retainer
9	40X2216	1	1	Scanner filter
10	40X2217	4	1	Card mounting screws
11	40X2218	1	1	Large platen retainer

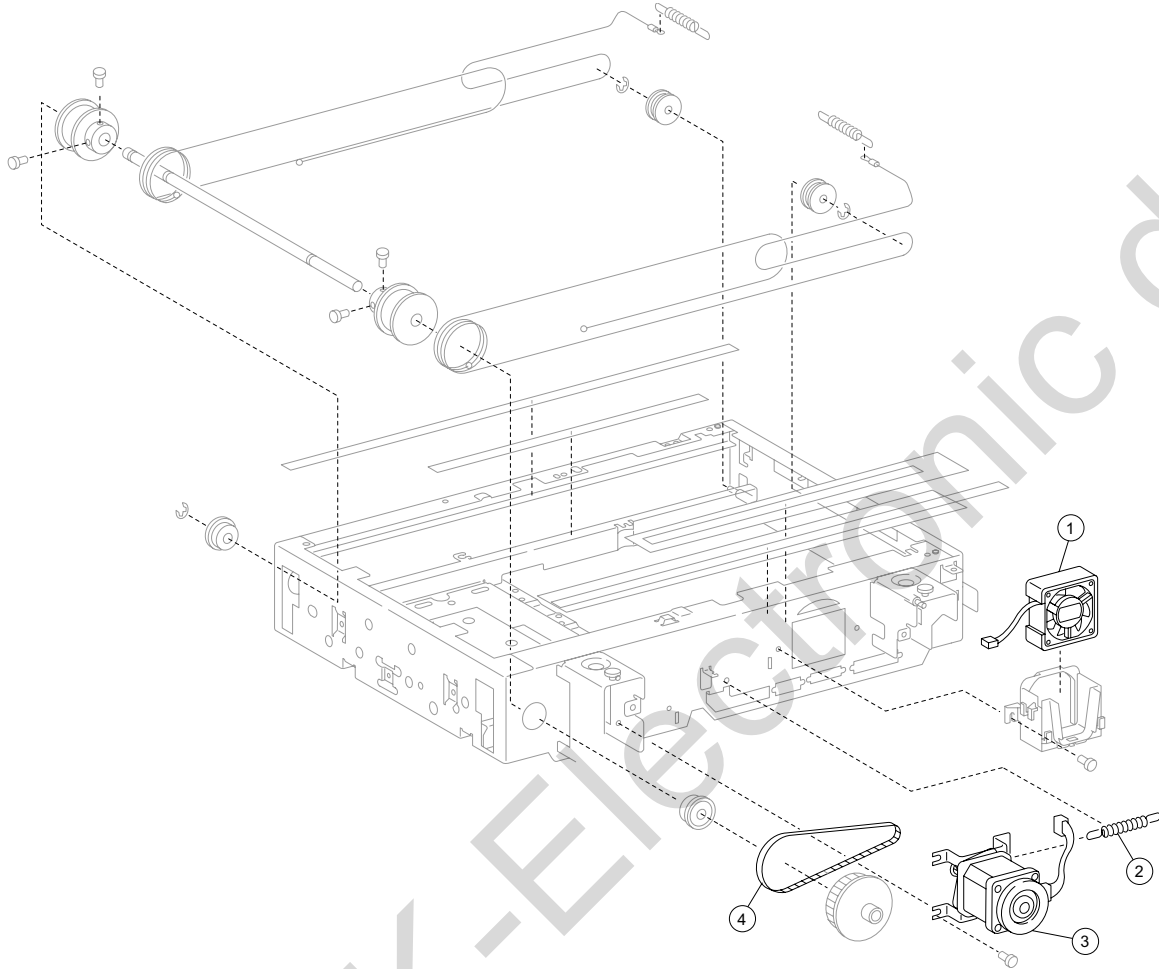
Assembly 19: Lens and sensors



Assembly 19: Lens and sensors

Asm Index	Part number	Units/mach	Units/kit or pkg	Description
19-1	40X2220	1	1	CCD card/lens assembly
2	40X2320	2	1	Sensor (platen length APS 1)
3	40X2320	2	1	Sensor (platen length APS 2)
4	40X2222	1	1	Switch (platen interlock)
5	40X2223	13	1	Sensor (Scanner HP)
6	40X2223	13	1	Sensor (ADF angle)
7	40X2224	1	1	ADF angle actuator assembly
8	40X2225	1	1	Scanner PS card assembly

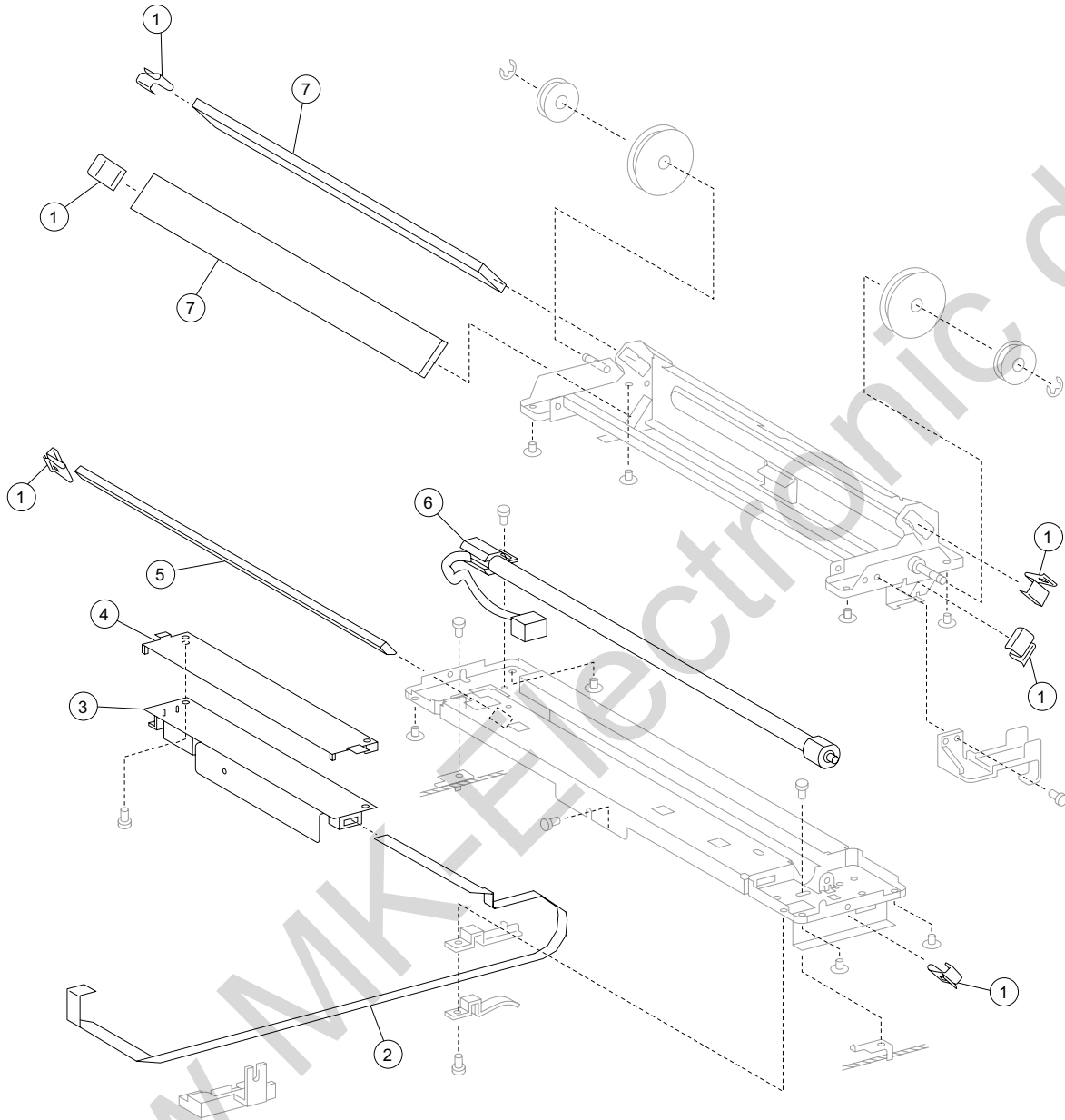
Assembly 20: Carriage motor and cooling fan



Assembly 20: Carriage motor and cooling fan

Asm Index	Part number	Units/mach	Units/kit or pkg	Description
20-1	40X2231	1	1	Scanner cooling fan
2	40X2229	1	1	Scanner drive motor tension spring
3	40X2228	1	1	Scanner drive motor assembly
4	40X2226	1	1	Scanner drive belt

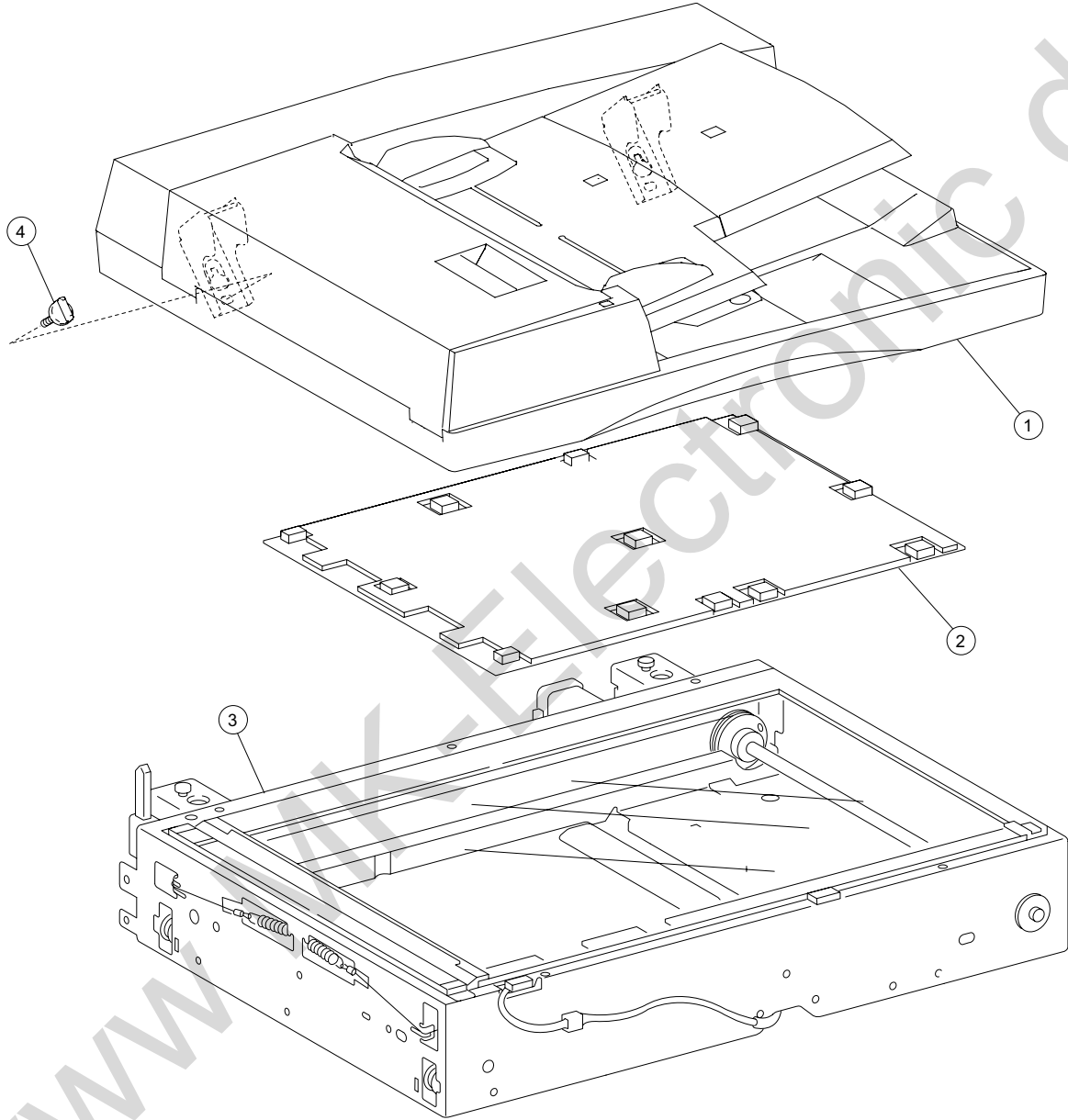
Assembly 21: Full/half rate carriage



Assembly 21: Full/half rate carriage

Asm Index	Part number	Units/mach	Units/kit or pkg	Description
21-1	40X2233	6	1	Mirror retaining clip
2	40X2236	1	1	Exposure lamp PS ribbon cable
3	40X2353	1	1	Exposure lamp PS card assembly
4	40X2352	1	1	Exposure lamp PS card insulator
5	40X2234	1	1	Scanner 1st mirror
6	40X2237	1	1	Exposure lamp
7	40X2232	2	1	Scanner 2nd/3rd mirror

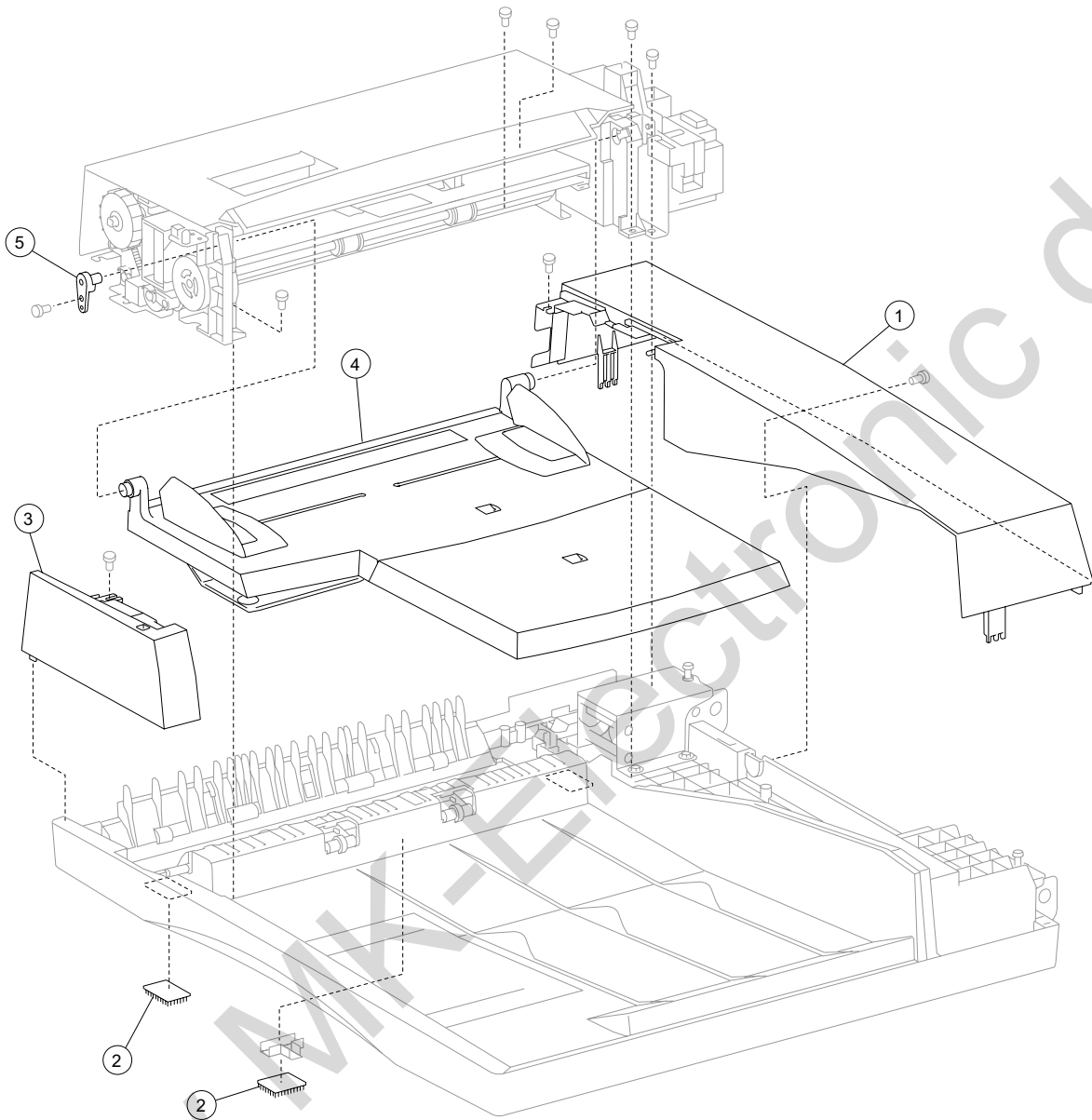
Assembly 22: ADF assembly



Assembly 22: ADF assembly

Asm Index	Part number	Units/mach	Units/kit or pkg	Description
22-1	40X2240	1	1	ADF unit assembly (complete unit)
2	40X2239	1	1	Platen cushion
3	40X2206	1	1	Flatbed scanner unit assembly
4	40X2238	2	1	ADF mounting screw

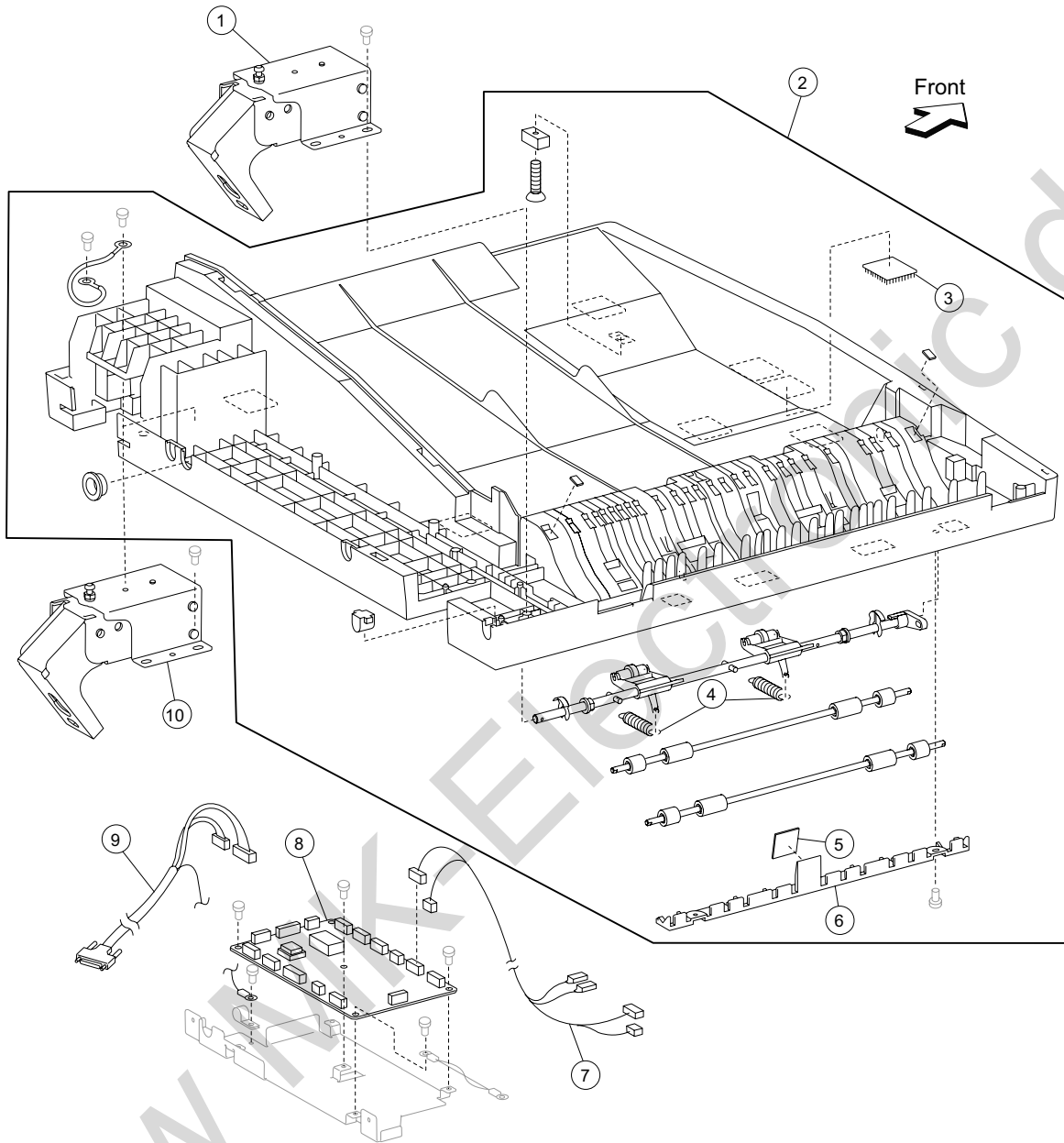
Assembly 23: ADF covers and components



Assembly 23: ADF covers and components

Asm Index	Part number	Units/mach	Units/kit or pkg	Description
23-1	40X2244	1	1	ADF rear cover
2	40X2246	2	1	Small hook/loop strip
3	40X2245	1	1	ADF front cover assembly
4	40X2242	1	1	Document tray assembly (this comes assembled)
5	40X2243	1	1	Document tray hinge

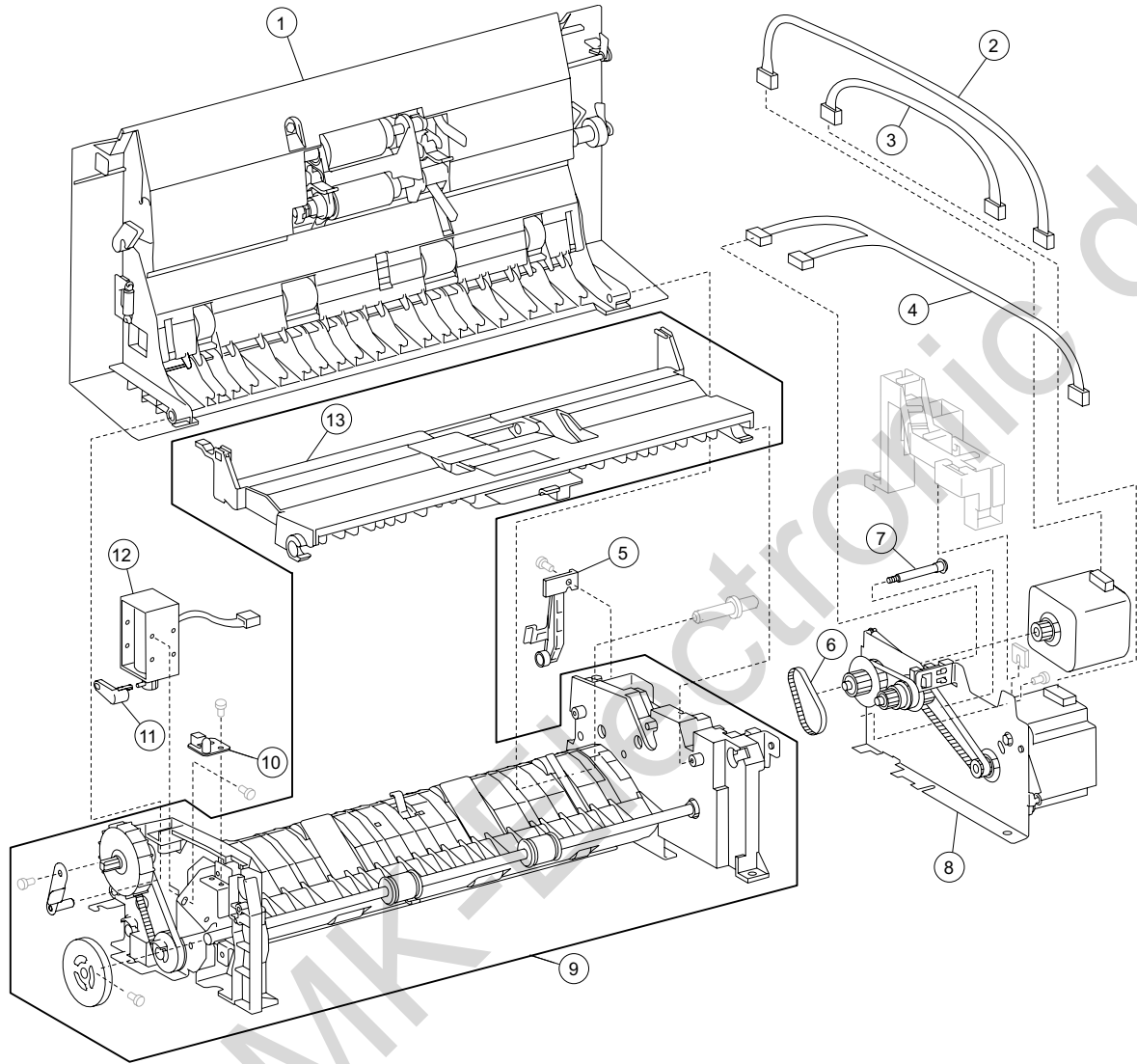
Assembly 24: ADF base



Assembly 24: ADF base

Asm Index	Part number	Units/mach	Units/kit or pkg	Description
24-1	40X2257	1	1	ADF left hinge
2	40X2371	1	1	ADF registration pinch/frame assembly (this comes assembled)
3	40X2247	7	1	Large hook/loop strip
4	40X2330	5	1	Spring
5	40X2354	1	1	Registration pad
6	40X2355	1	1	Registration pad cover
7	40X2248	1	1	Solenoid/interlock cable assembly
8	40X2260	1	1	ADF controller card assembly
9	40X2259	1	1	ADF interface cable assembly
10	40X2258	1	1	ADF right hinge

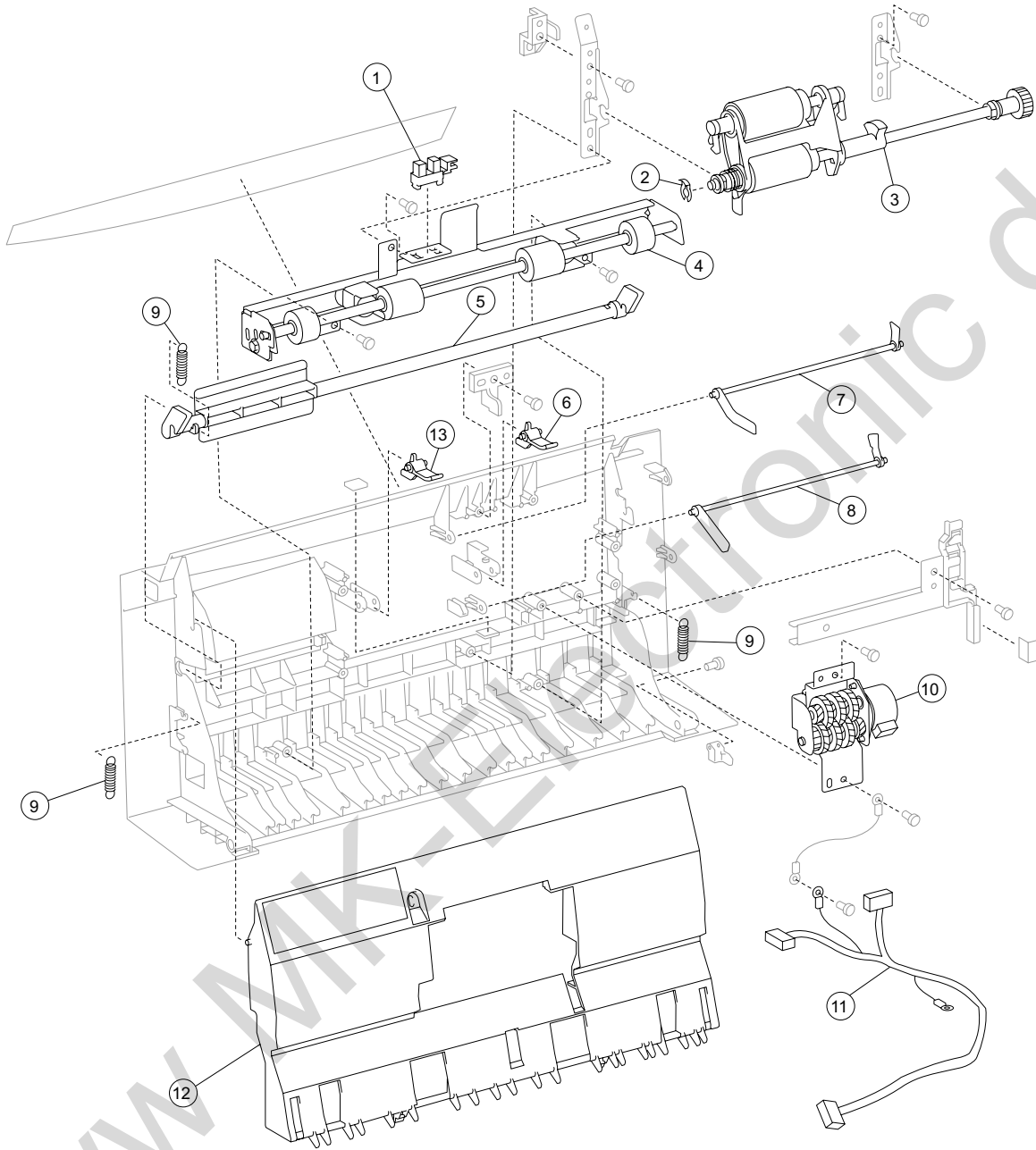
Assembly 25: ADF feeder



Assembly 25: ADF feeder

Asm Index	Part number	Units/mach	Units/kit or pkg	Description
25-1	40X2262	1	1	ADF left cover assembly (this comes assembled)
2	40X2265	1	1	Registration motor cable assembly
3	40X2266	1	1	ADF feed motor cable assembly
4	40X2264	1	1	Document set/sheet through cable assembly
5	40X2267	1	1	Left cover hinge retainer
6	40X2270	1	1	Registration main drive belt
7	40X2269	1	1	Stud screw
8	40X2327	1	1	ADF feed motor assembly (this comes assembled)
9	40X2383	1	1	ADF main feed assembly (this comes assembled)
10	40X2272	1	1	Document set LED
11	40X2256	1	1	Inverter lever
12	40X2271	1	1	Inverter solenoid assembly
13	40X2273	1	1	Separation roll guide assembly (this comes assembled)

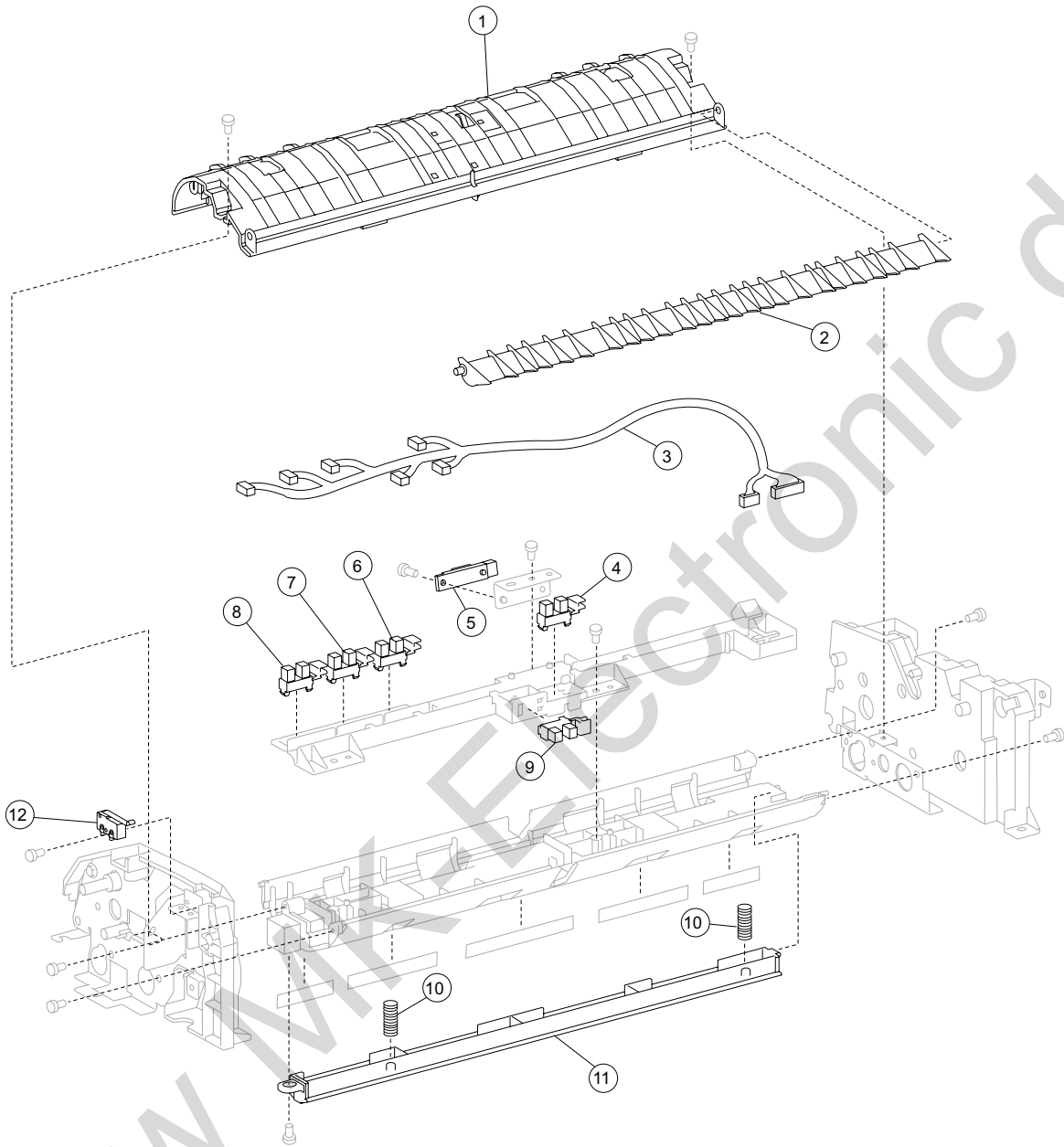
Assembly 26: ADF left cover components



Assembly 26: ADF left cover components

Asm Index	Part number	Units/mach	Units/kit or pkg	Description
26-1	40X2223	13	1	Sensor (pick roll position HP)
2	40X2291	3	4	Plastic ring clip 6 mm
3	40X2280	1	1	ADF feed/pick roll assembly (this comes assembled)
4	40X2276	1	1	Left cover pinch roll assembly (this comes assembled)
5	40X2274	1	1	ADF left cover handle
6	40X2381	1	1	Document set rear stop
7	40X2275	1	1	Sheet through actuator
8	40X2283	1	1	Document set actuator
9	40X2330	5	1	Spring
10	40X2277	1	1	Pick roll position motor assembly
11	40X2278	1	1	Pick roll position cable assembly
12	40X2321	1	1	Left cover media guide
13	40X2279	1	1	Document set front stop

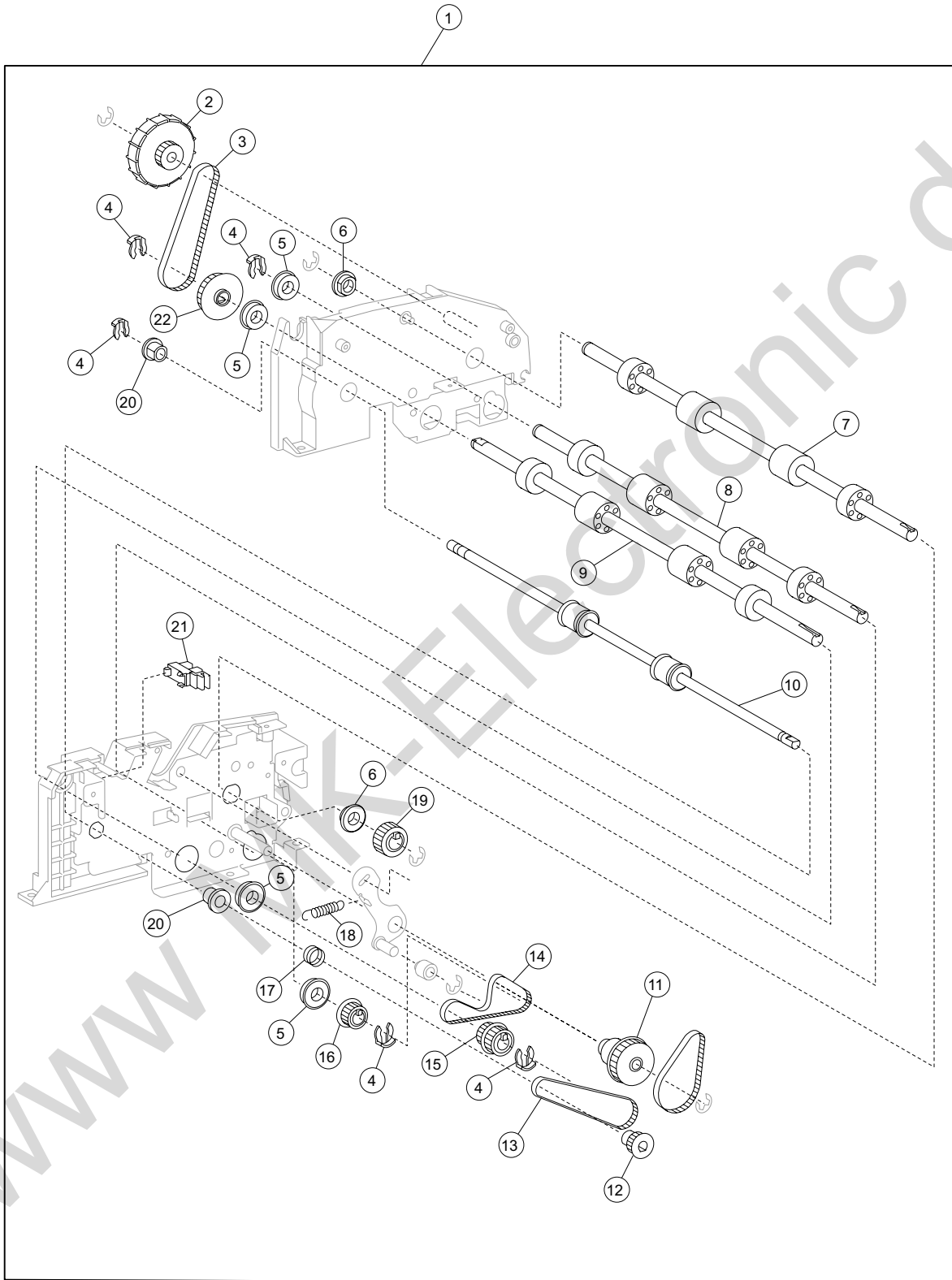
Assembly 27: ADF media guide



Assembly 27: ADF media guide

Asm Index	Part number	Units/mach	Units/kit or pkg	Description
27-1	40X2290	1	1	Actuator/media guide assembly (this comes assembled)
2	40X2289	1	1	Inverter gate
3	40X2288	1	1	ADF main feed cable assembly
4	40X2223	1	1	Sensor (ADF pre-registration)
5	40X0589	1	1	Sensor (ADF registration)
6	40X2223	13	1	Sensor (ADF width APS 1)
7	40X2223	13	1	Sensor (ADF width APS 2)
8	40X2223	13	1	Sensor (ADF width APS 3)
9	40X2223	13	1	Sensor (ADF inverter)
10	40X2324	2	1	Media scan guide spring
11	40X2323	1	1	Media scan guide
12	40X2286	1	1	Switch (ADF left cover interlock)

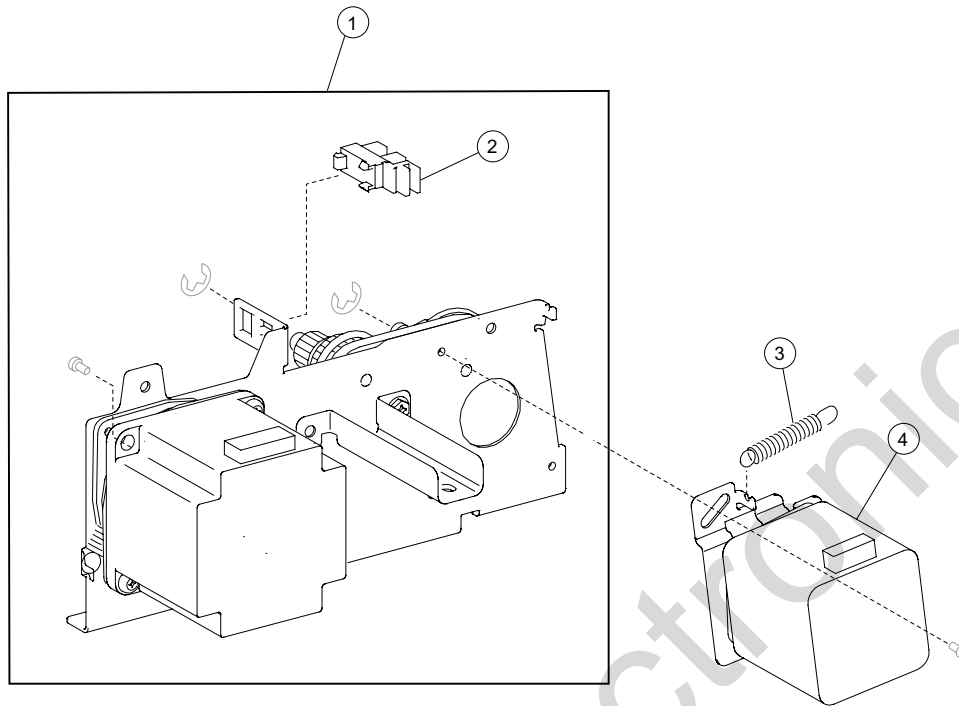
Assembly 28: ADF feeder roll



Assembly 28: ADF feeder roll

Asm Index	Part number	Units/mach	Units/kit or pkg	Description
28-1	40X2383	1	1	ADF main feed assembly (this comes assembled)
2	40X2346	1	1	Manual feed drive wheel
3	40X2345	1	1	Manual feed drive belt
4	40X2291	3	4	Plastic ring clip kit includes: <ul style="list-style-type: none"> • Plastic ring clip 6 mm • Plastic ring clip 8 mm
5	40X2337	4	1	Bearing 8 mm
6	40X2339	2	1	Bushing 8 mm
7	40X2336	1	1	ADF transport roll assembly
8	40X2333	1	1	ADF registration roll assembly
9	40X2334	1	1	ADF feed-out roll assembly
10	40X2335	1	1	ADF exit roll assembly
11	40X2349	1	1	Registration main drive pulley 21/54T
12	40X2342	1	1	Exit roll drive pulley 20T
13	40X2347	1	1	Exit roll drive belt
14	40X2350	1	1	Registration secondary drive belt
15	40X2341	1	1	Exit/feed-out roll drive pulley 25/28T
16	40X2340	1	1	Registration roll drive pulley 28T
17	40X2351	1	1	Retainer spring
18	40X2348	1	1	Tension spring
19	40X2343	1	1	Transport roll drive gear 20T
20	40X2338	2	1	Bushing 6 mm
21	40X2223	13	1	Sensor (document set)
22	40X2344	1	1	Manual feed drive pulley

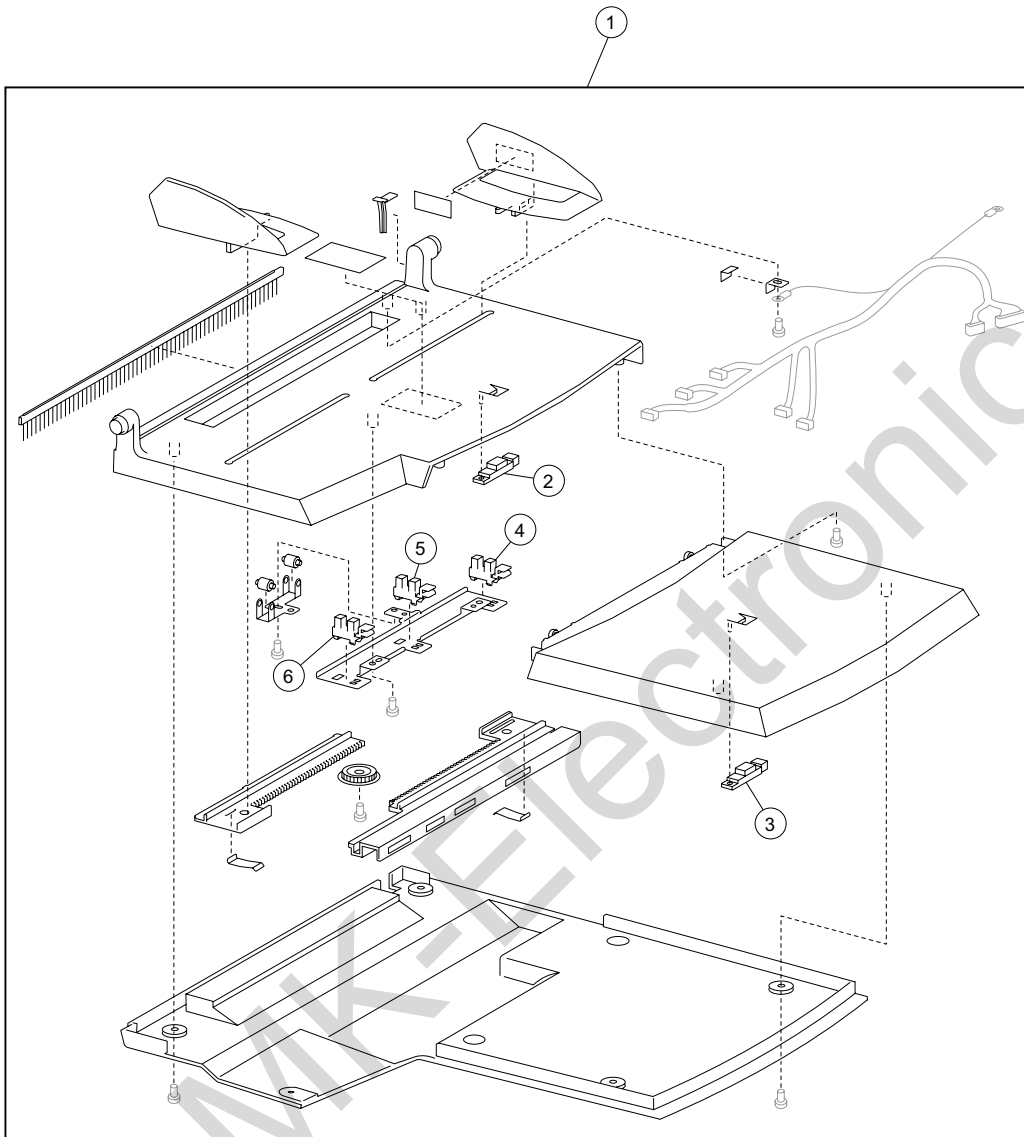
Assembly 29: ADF motor unit



Assembly 29: ADF motor unit

Asm Index	Part number	Units/mach	Units/kit or pkg	Description
29-1	40X2327	1	1	ADF feed motor assembly (this comes assembled)
2	40X2223	13	1	Sensor (sheet through)
3	40X2326	1	1	Tension spring
4	40X2325	1	1	ADF registration motor

Assembly 30: ADF document tray

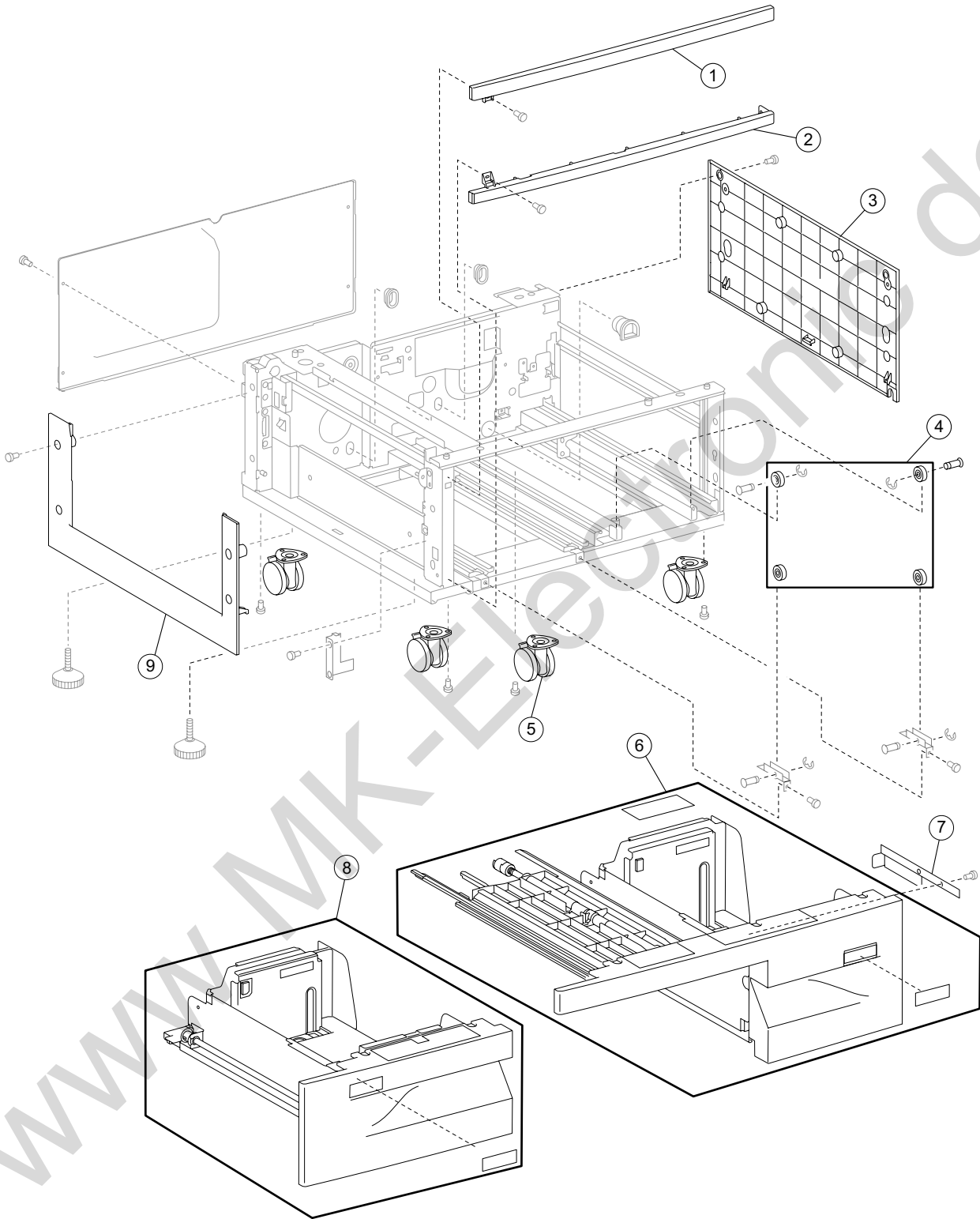


Assembly 30: ADF document tray

Asm Index	Part number	Units/mach	Units/kit or pkg	Description
30-1	40X2242	1	1	Document tray assembly (this comes assembled)
2	40X2328	1	1	Sensor (document tray length 1)
3	40X2328	1	1	Sensor (document tray length 2)
4	40X2223	1	1	Sensor (document tray width 1)
5	40X2223	1	1	Sensor (document tray width 2)
6	40X2223	1	1	Sensor (document tray width 3)

Note: Assembly index items 2, 3, 4, 5 and 6 are identical sensors with different functions; therefore, they are the same part number with different descriptions.

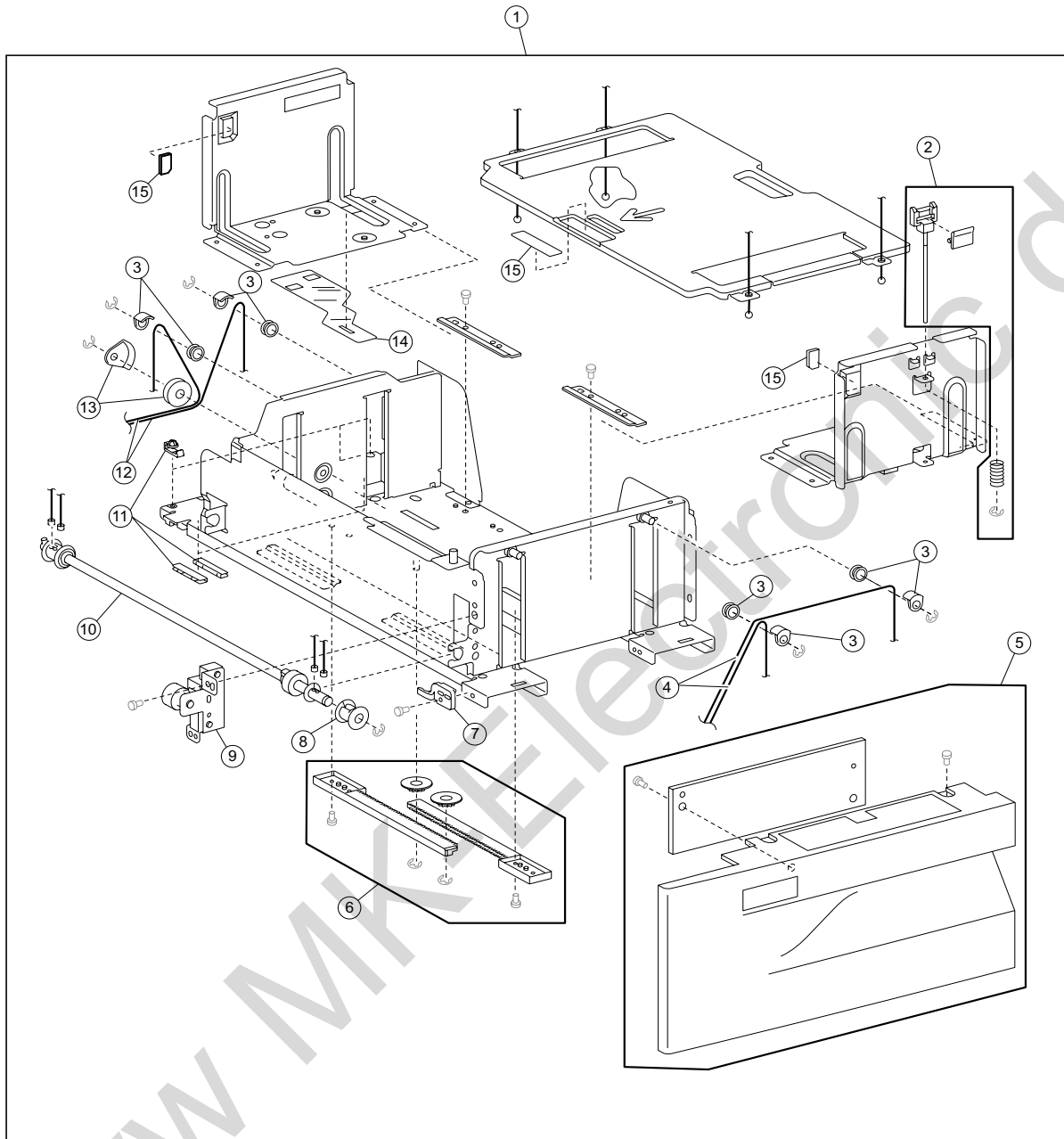
Assembly 31: 2000-sheet dual input (TTM)—covers



Assembly 31: 2000-sheet dual input (TTM)—covers

Asm-Index	Part number	Units/ option	Units/ FRU	Description
31-1	40X0687	1	1	Top cover
2	40X0688	1	1	Foot cover
3	40X0689	1	1	Right cover
4	40X0703	1	4	Tray support roll (4 each)
5	40X0691	4	1	Locking caster
6	40X0963	1	3	TTM media tray 4 assembly (this comes assembled) <ul style="list-style-type: none"> • TTM media tray 4 assembly • Label (2 each)
7	40X0704	1	1	Tray 4 stopper
8	40X0962	1	2	TTM media tray 3 assembly (this comes assembled) <ul style="list-style-type: none"> • TTM media tray 3 assembly • Label
9	40X0690	1	1	Left cover

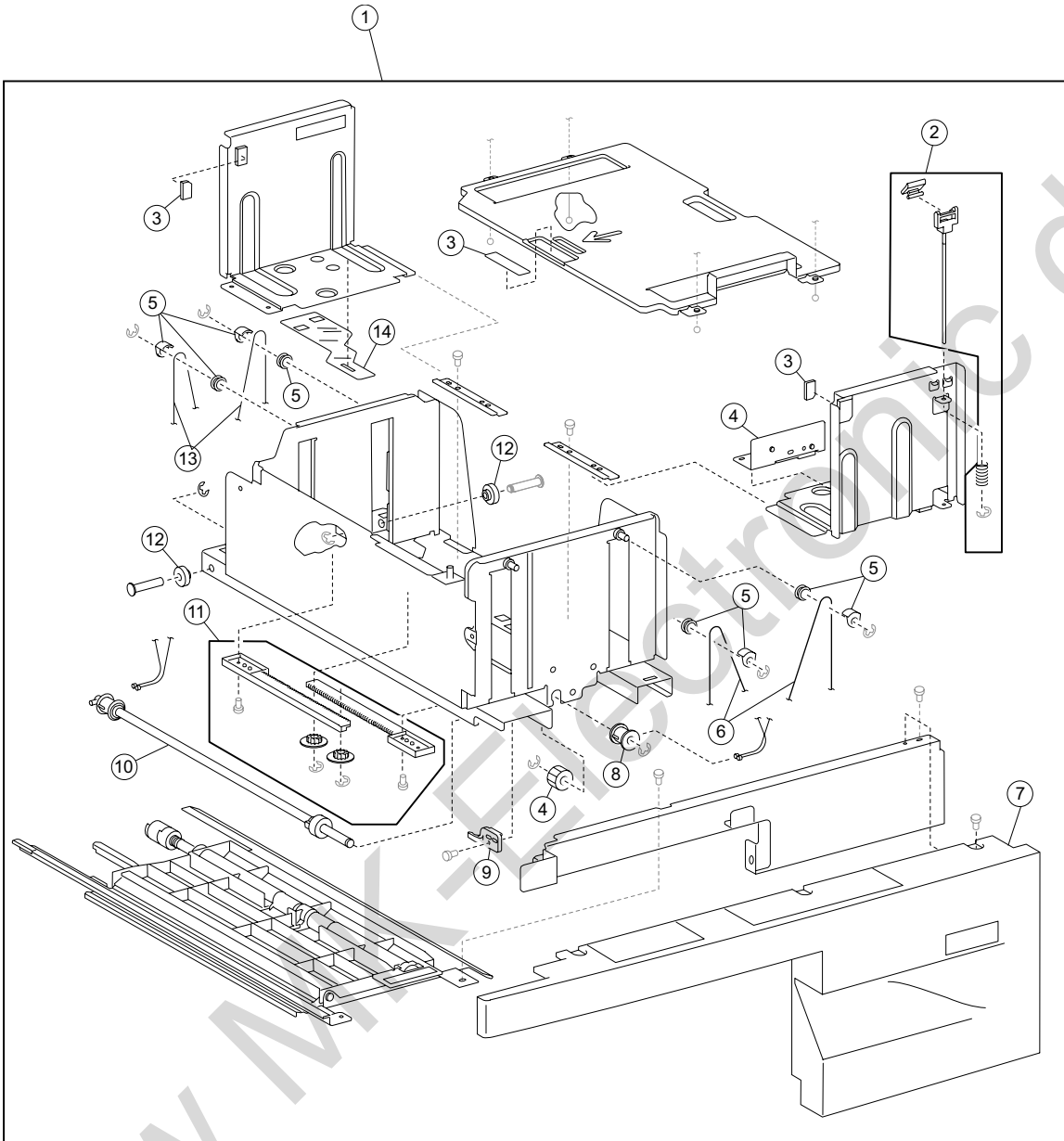
Assembly 32: 2000-sheet dual input (TTM)—tray 3



Assembly 32: 2000-sheet dual input (TTM)—tray 3

Asm-Index	Part number	Units/ option	Units/ FRU	Description
32-1	40X0962	1	3	TTM media tray 3 assembly (this comes assembled) <ul style="list-style-type: none"> • TTM media tray 3 assembly • Label (2 each)
2	40X0712	1	3	Tray 3 media guide lock kit includes: <ul style="list-style-type: none"> • Tray 3 media guide lock button • Tray 3 media guide lock shaft • Spring
3	40X0953	2	8	TTM tray lift pulley kit includes: <ul style="list-style-type: none"> • TTM tray lift pulley (4 each) • Pulley guide (4 each)
4	40X0710	1	2	Tray 3 front cable (2 each)
5	40X0705	1	2	Tray 3 front cover kit includes: <ul style="list-style-type: none"> • Tray 3 front cover • Tray 3 tray handle
6	40X0713	2	4	Media guide rack and pinion kit includes: <ul style="list-style-type: none"> • Media guide rack gear (2 each) • Media guide pinion gear (2 each)
7	40X0714	2	1	TTM media tray catch
8	40X0706	2	1	Lift cable pulley
9	40X0715	1	1	Tray 3 brake assembly
10	40X0707	2	1	Tray lift shaft assembly
11	40X0716	1	4	Tray 3 slide kit includes: <ul style="list-style-type: none"> • Tray 3 slide strip (2 each) • Tray 3 slide button (2 each)
12	40X0709	1	2	Tray 3 rear cable (2 each)
13	40X0708	2	2	Large idler pulley kit includes: <ul style="list-style-type: none"> • Large idler pulley • Large idler guide
14	40X0717	2	1	Mylar actuator
15	40X0711	2	3	TTM tray separator kit includes: <ul style="list-style-type: none"> • TTM tray separation pad • TTM tray brush (2 each)

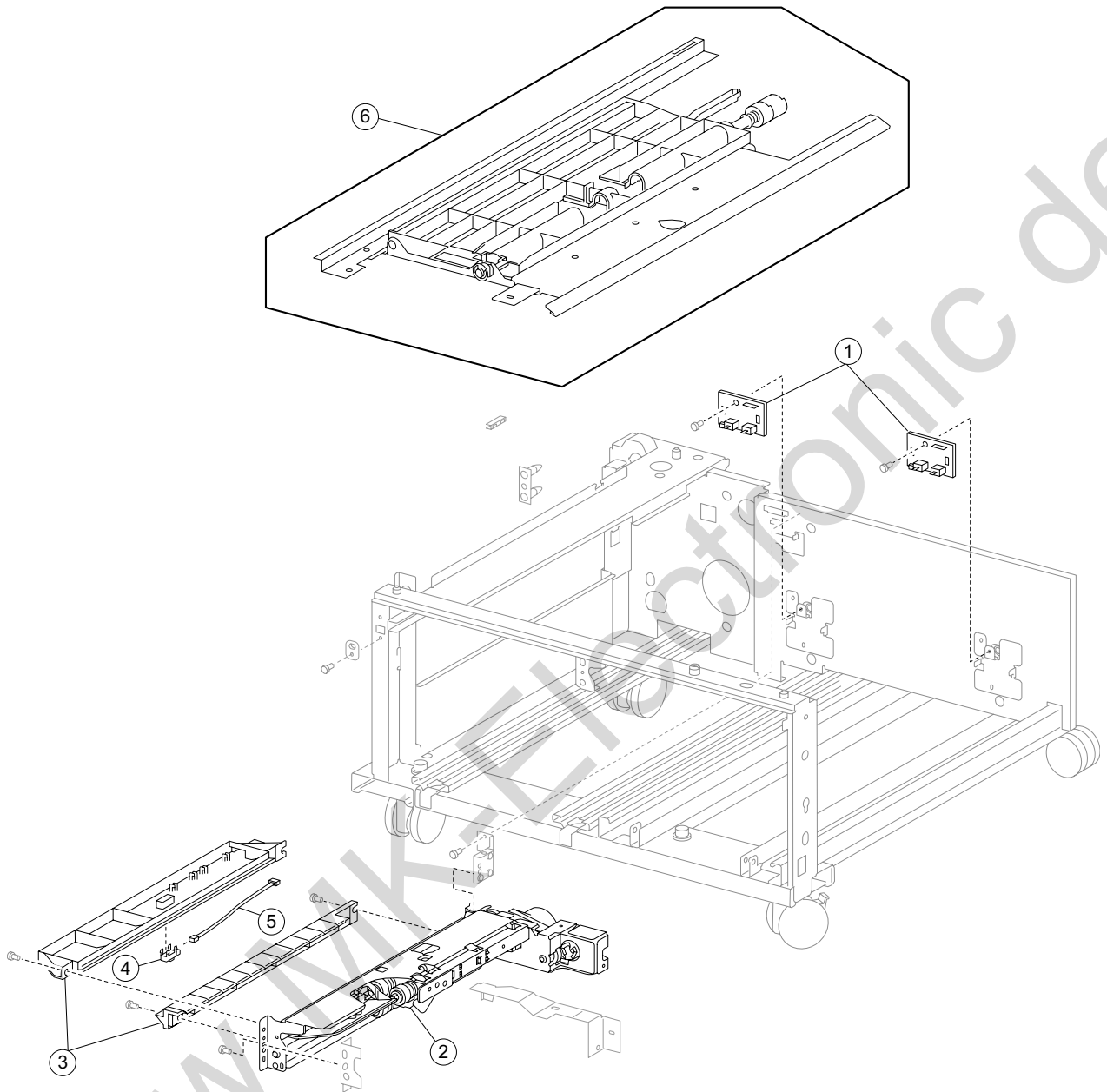
Assembly 33: 2000-sheet dual input (TTM)—tray 4



Assembly 33: 2000-sheet dual input (TTM)—tray 4

Asm-Index	Part number	Units/ option	Units/ FRU	Description
33-1	40X0963	1	2	TTM media tray 4 assembly (this comes assembled) <ul style="list-style-type: none"> • TTM media tray 4 assembly • Label
2	40X0721	1	3	Tray 4 media guide lock kit includes: <ul style="list-style-type: none"> • Tray 4 media guide lock button • Tray 4 media guide lock shaft • Spring
3	40X0711	2	3	TTM Tray separator kit includes: <ul style="list-style-type: none"> • TTM tray separation pad • TTM tray brush (2 each)
4	40X0722	1	2	Tray 4 brake kit includes: <ul style="list-style-type: none"> • Tray 4 brake assembly • Tray 4 brake gear 18T
5	40X0953	2	8	TTM tray lift pulley kit includes: <ul style="list-style-type: none"> • TTM tray lift pulley (4 each) • Pulley guide (4 each)
6	40X0720	1	2	Tray 4 front cable (2 each)
7	40X0718	1	1	Tray 4 front cover
8	40X0706	2	1	Lift cable pulley
9	40X0714	2	1	TTM media tray catch
10	40X0707	2	1	Tray lift shaft assembly
11	40X0713	2	4	Media guide rack and pinion kit includes: <ul style="list-style-type: none"> • Media guide rack gear (2 each) • Media guide pinion gear (2 each)
12	40X0723	1	2	Tray 4 rear support roll (2 each)
13	40X0719	1	2	Tray 4 rear cable (2 each)
14	40X0717	2	1	Mylar actuator

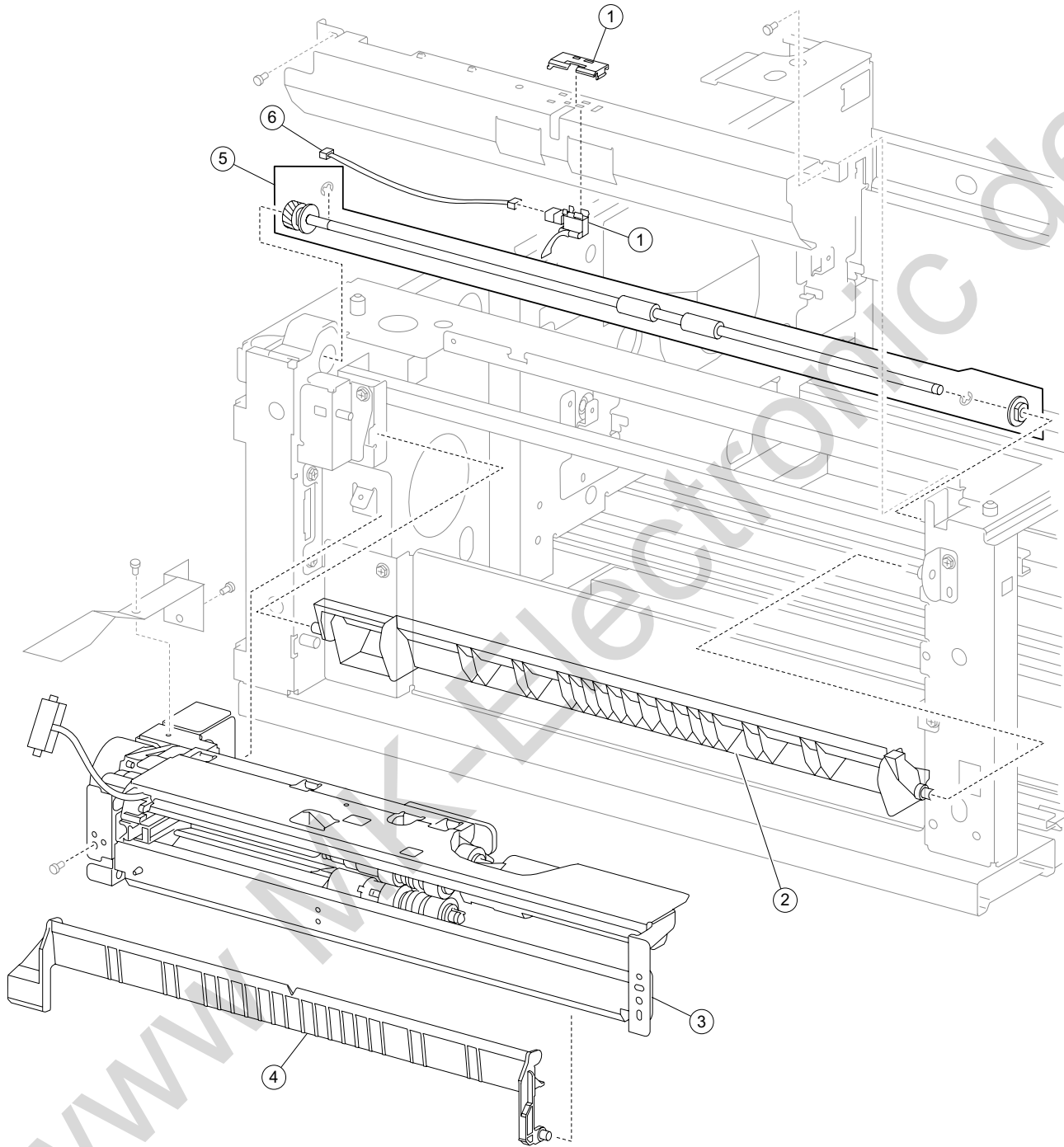
Assembly 34: 2000-sheet dual input (TTM)—feed and transport



Assembly 34: 2000-sheet dual input (TTM)—feed and transport

Asm-Index	Part number	Units/ option	Units/ FRU	Description
34-1	40X0729	2	1	Switch (TTM media size switch)
2	40X0581	2	1	Media feed unit assembly (this comes assembled)
3	40X0728	1	2	Tray 4 media guide kit includes: <ul style="list-style-type: none"> • Tray 4 upper media guide • Tray 4 lower media guide
4	40X0727	1	1	Sensor (tray 4 feed-out)
5	40X0730	1	1	Tray 4 feed-out sensor cable assembly
6	40X0724	1	1	Tray 4 media transport assembly

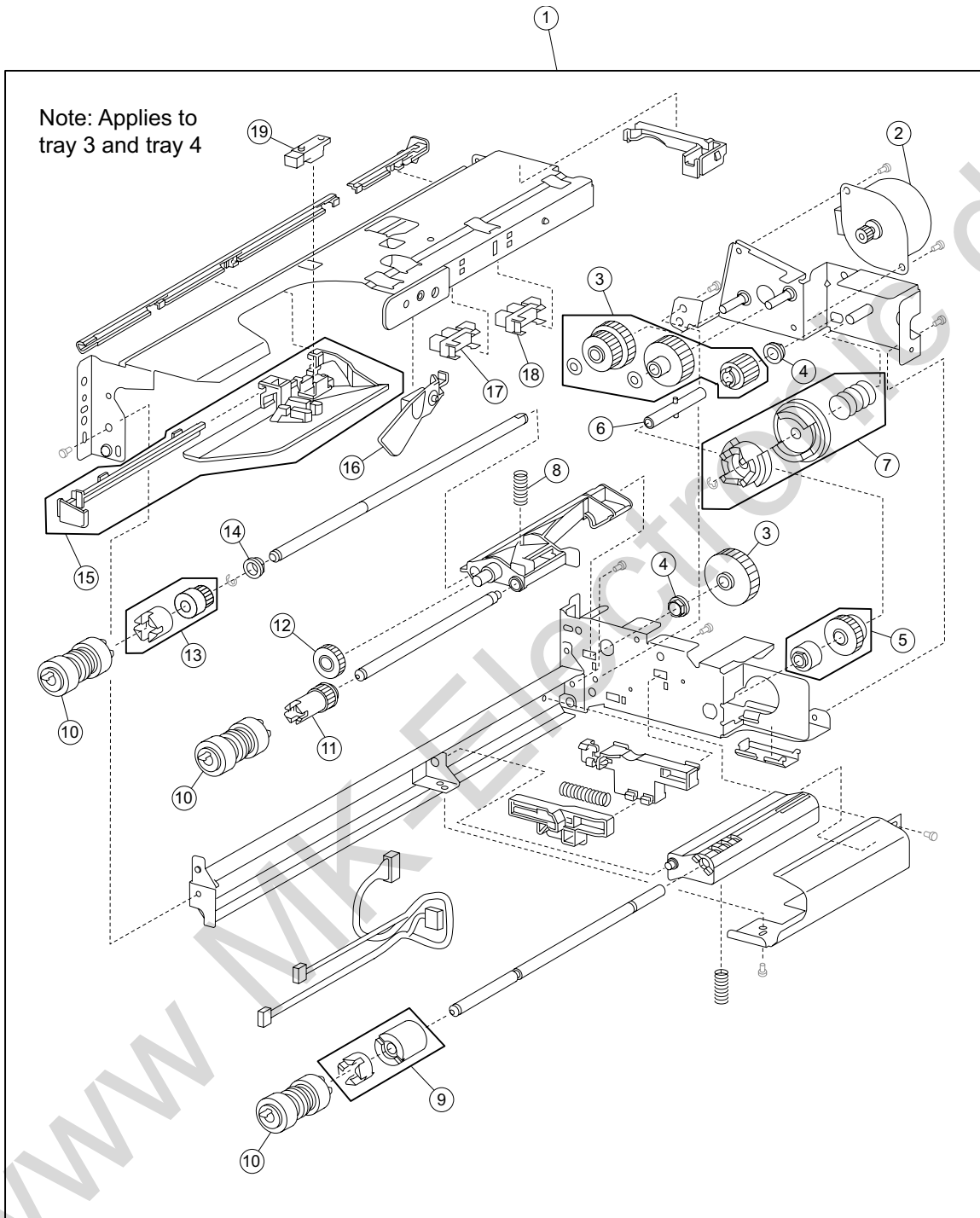
Assembly 35: 2000-sheet dual input (TTM)—feed and transport



Assembly 35: 2000-sheet dual input (TTM)—feed and transport

Asm-Index	Part number	Units/option	Units/FRU	Description
35-1	40X0692	1	2	Sensor (tray 3 feed-out) kit includes: <ul style="list-style-type: none"> • Sensor (tray 3 feed-out) • Sensor protector
2	40X0732	1	1	Upper vertical turn guide
3	40X0581	2	1	Media feed unit assembly (this comes assembled)
4	40X0572	1	1	Vertical turn guide
5	40X0695	1	2	2TM/TTM media transport roll assembly kit includes: <ul style="list-style-type: none"> • 2TM/TTM media transport roll assembly • Bushing 8 mm
6	40X0693	1	2	Sensor cable kit includes: <ul style="list-style-type: none"> • Tray 3 feed-out sensor cable • Tray 4 feed-out sensor cable

Assembly 36: 2000-sheet dual input (TTM)—media feed unit

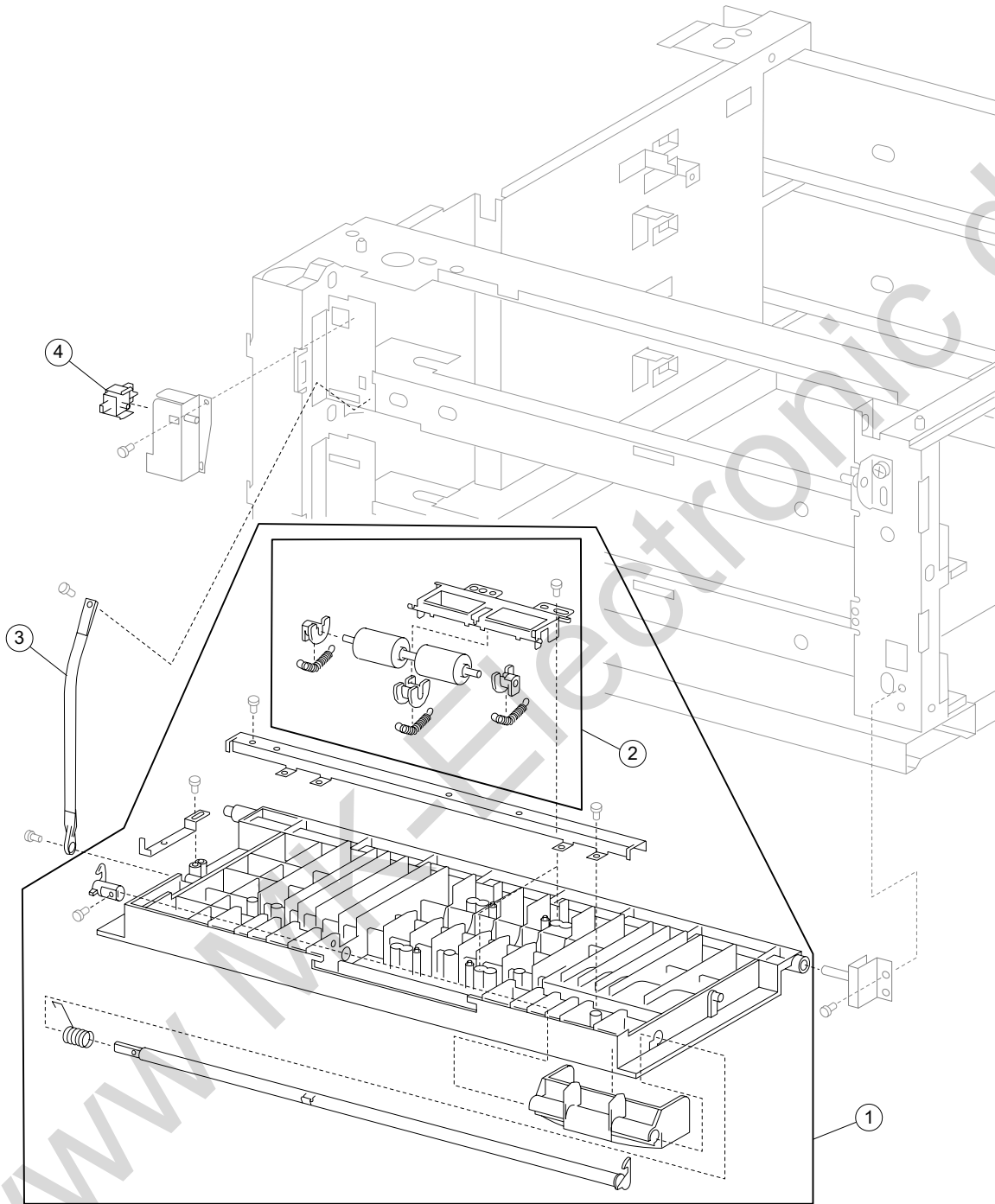


Assembly 36: 2000-sheet dual input (TTM)—media feed unit

Asm-Index	Part number	Units/ option	Units/ FRU	Description
36-1	40X0581	2	1	Media feed unit assembly (this comes assembled)
2	40X0582	2	1	Media feed lift motor
3	40X0585	2	6	Media feed drive gear kit includes: <ul style="list-style-type: none"> • Media feed unit drive gear 13T • Media feed unit drive gear 28/21T • Media feed unit drive gear 29T • Media feed unit drive gear 27T • 2 mm washer (2 each) Note: The graphic on the previous page, shows two #3 callouts. These callouts are the items that make up the media feed drive gear kit.
4	40X0880	2	1	Bushing 6 mm
5	40X0967	2	2	Media tray lift one-way clutch/gear kit includes: <ul style="list-style-type: none"> • Media tray lift one-way clutch • Media tray lift one-way gear
6	40X0968	2	1	Media tray lift one-way shaft
7	40X0583	2	3	Tray lift coupling kit includes: <ul style="list-style-type: none"> • Tray lift coupling • Tray lift coupling gear 31T • Spring
8	40X0590	2	1	Pick roll assembly spring
9	40X0593	2	2	Separation roll friction clutch kit includes: <ul style="list-style-type: none"> • Separation roll one-way friction clutch • Separation roll spacer
10	40X0594	2	3	Feed unit roll kit includes: <ul style="list-style-type: none"> • Feed roll • Pick roll • Separation roll
11	40X0970	2	1	Pick roll drive gear
12	40X0969	2	1	Pick roll idler gear
13	40X0591	2	2	Feed roll one-way clutch kit includes: <ul style="list-style-type: none"> • Feed roll one-way clutch • Feed roll one-way gear 22T
14	40X0952	2	1	Bushing 6 mm
15	40X0586	2	2	Media feed unit front guide kit includes: <ul style="list-style-type: none"> • Media feed unit front guide • Media feed unit front guide rail
16	40X0587	2	1	Media out actuator
17	40X0588	2	1	Sensor (media out)
18	40X0588	2	1	Sensor (media level)
19	40X0589	2	1	Sensor (pre-feed)

Note: Assembly index items 17 and 18 are identical sensors with different functions; therefore, they are the same part number with different descriptions.

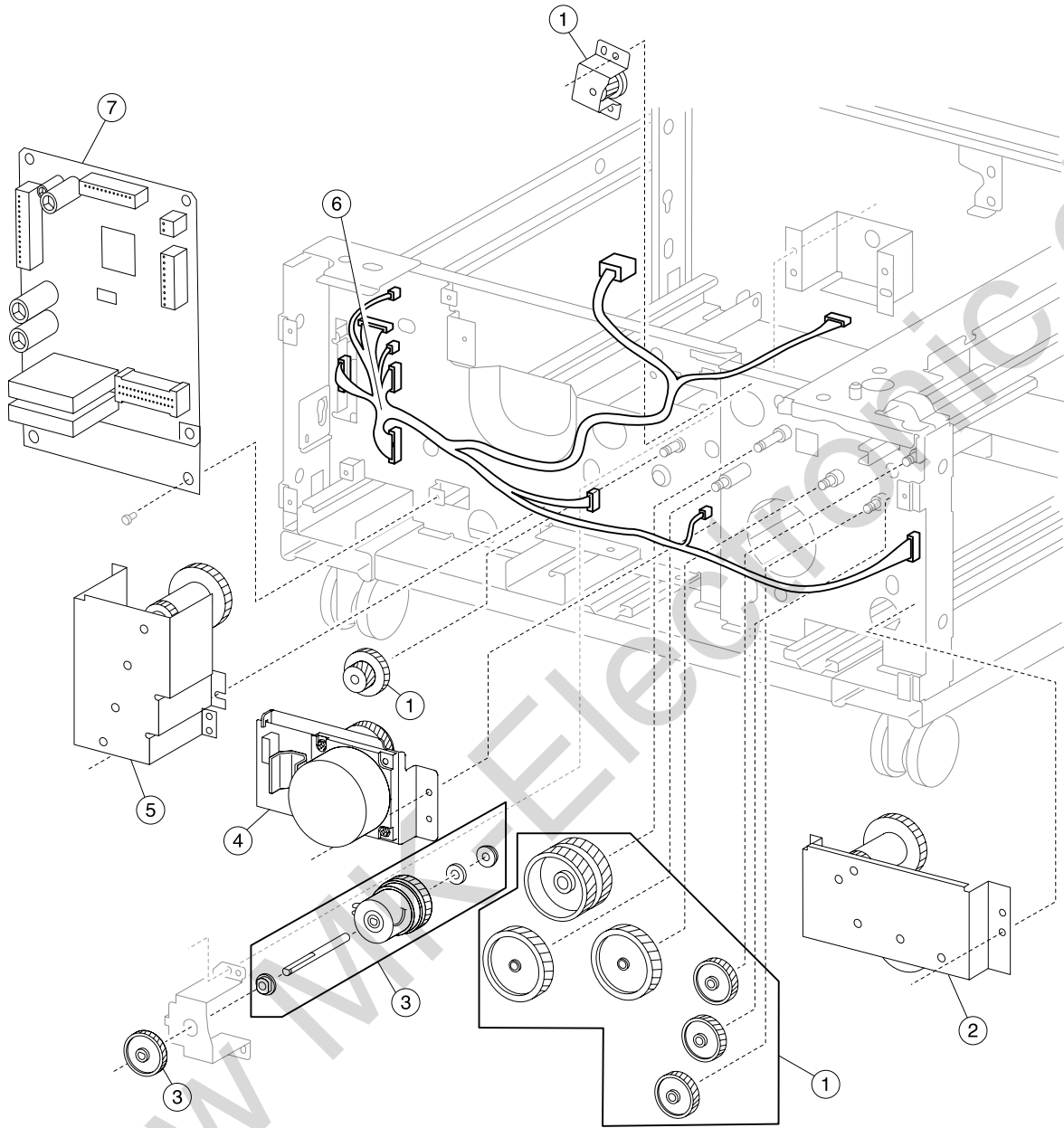
Assembly 37: 2000-sheet dual input (TTM)—left door



Assembly 37: 2000-sheet dual input (TTM)—left door

Asm-Index	Part number	Units/ option	Units/ FRU	Description
37-1	40X0733	1	1	2TM/TTM left door assembly (this comes assembled)
2	40X0696	1	1	2TM/TTM left door pinch assembly (this comes assembled)
3	40X0697	1	1	2TM/TTM left door support strap
4	40X0610	1	1	Switch (2TM/TTM left door interlock)

Assembly 38: 2000-sheet dual input (TTM)—drive and electrical



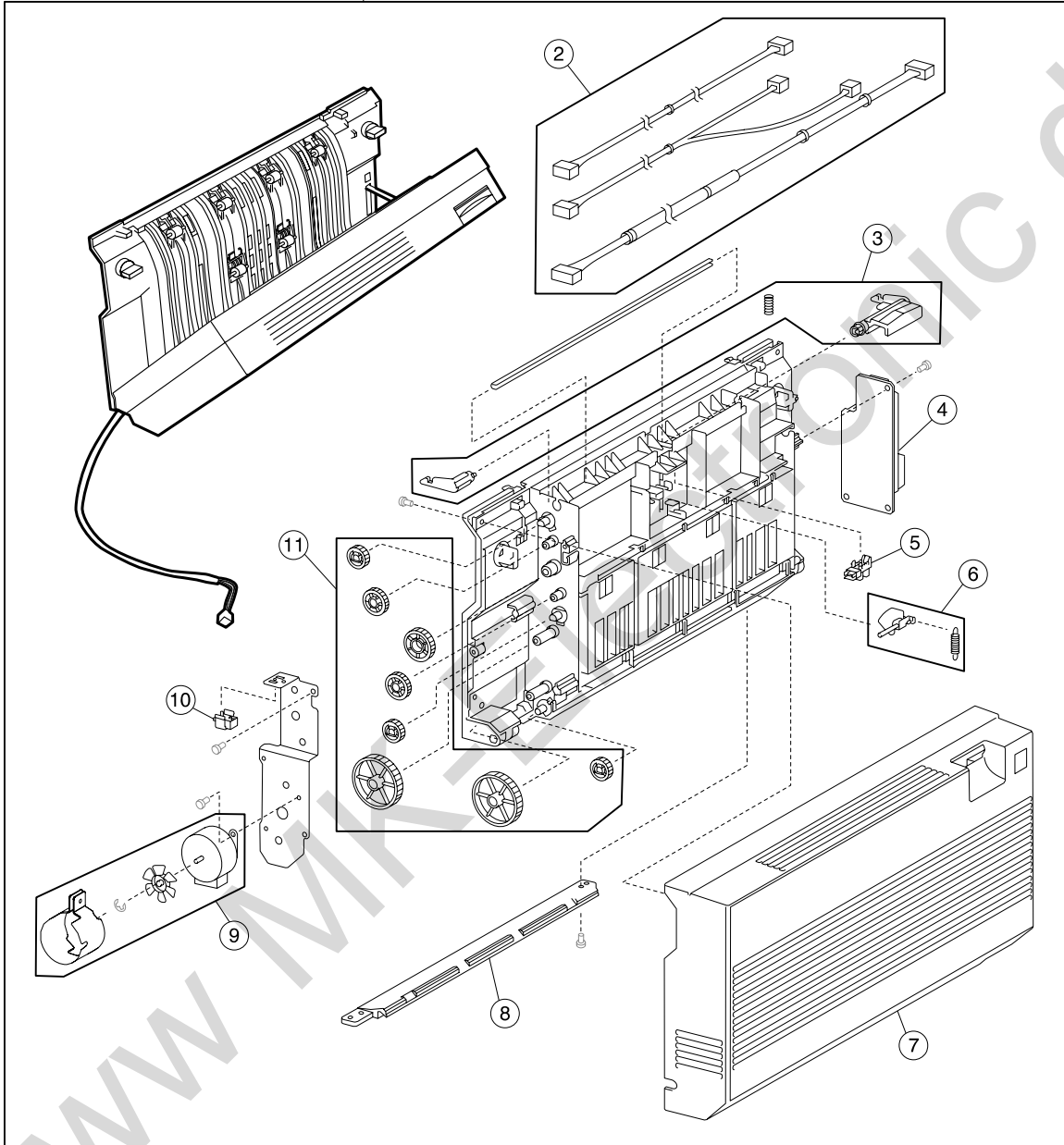
Assembly 38: 2000-sheet dual input (TTM)—drive and electrical

Asm-Index	Part number	Units/ option	Units/ FRU	Description
38-1	40X0736	1	8	TTM drive gear kit includes: <ul style="list-style-type: none"> • TTM drive gear 22/40T • TTM drive gear 37T (2 each) • TTM drive gear 32T • TTM drive gear 60T (2 each) • TTM drive gear 60T • TTM drive gear bracket assembly
2	40X0734	1	1	Tray 3 lift gear assembly
3	40X0699	1	6	2TM/TTM clutch kit includes: <ul style="list-style-type: none"> • 2TM/TTM clutch assembly • Shaft • Bushing 8 mm • Clutch gear 38T • Bushing 8 mm • Washer
4	40X0700	1	1	2TM/TTM drive motor
5	40X0735	1	1	Tray 4 lift gear assembly
6	40X0737	1	1	TTM main cable assembly
7	40X2735	1	1	2TM/TTM controller card assembly

Assembly 39: Duplex outer

1

Note: This assembly includes everything on pages 7-80 and 7-82.

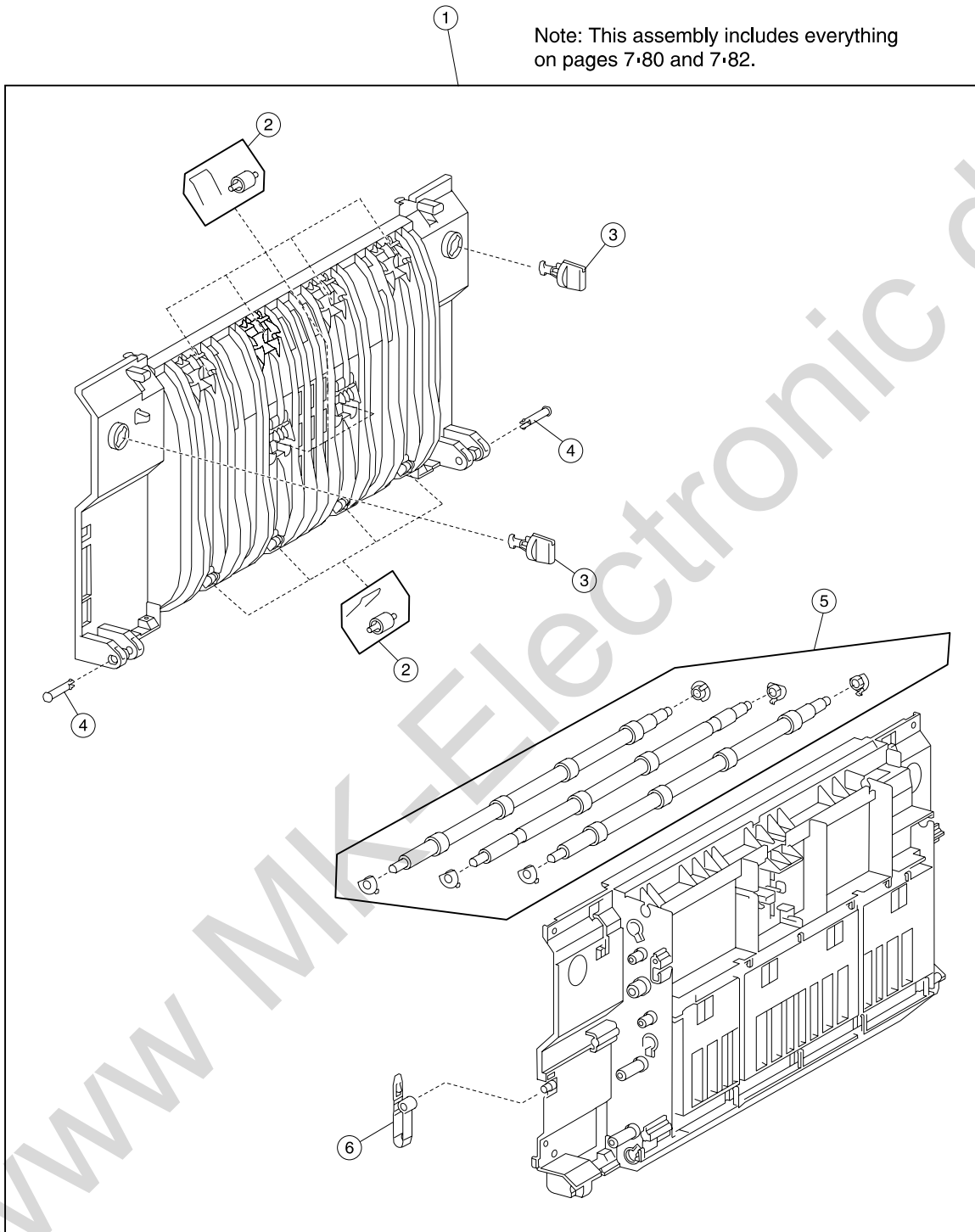


Assembly 39: Duplex outer

Asm-Index	Part number	Units/ option	Units/ FRU	Description
39-1	40X0780	1	1	Duplex unit assembly (this comes assembled)
2	40X0788	1	3	Duplex cable kit includes: <ul style="list-style-type: none"> • Duplex sensor cable assembly • Duplex motor cable assembly • Duplex main cable assembly
3	40X0782	1	3	Duplex left door handle kit includes: <ul style="list-style-type: none"> • Duplex left door handle latch • Duplex left door handle • Spring
4	40X0786	1	1	Duplex controller card assembly
5	40X0588	1	1	Sensor (duplex wait)
6	40X0784	1	2	Duplex wait actuator kit includes: <ul style="list-style-type: none"> • Duplex wait actuator • Spring
7	40X0787	1	1	Duplex left cover
8	40X0783	1	1	Duplex lower guide
9	40X0785	1	3	Duplex drive motor kit includes: <ul style="list-style-type: none"> • Duplex drive motor • Duplex drive motor cooling fan • Duplex drive motor cooling fan shroud
10	40X0610	1	1	Switch (duplex left door interlock)
11	40X0781	1	8	Duplex drive gear kit includes: <ul style="list-style-type: none"> • Duplex drive gear 28T (3 each) • Duplex drive gear 33/74T (2 each) • Duplex drive gear 33T (2 each) • Duplex drive gear 42T

Assembly 40: Duplex inner

Note: This assembly includes everything on pages 7-80 and 7-82.



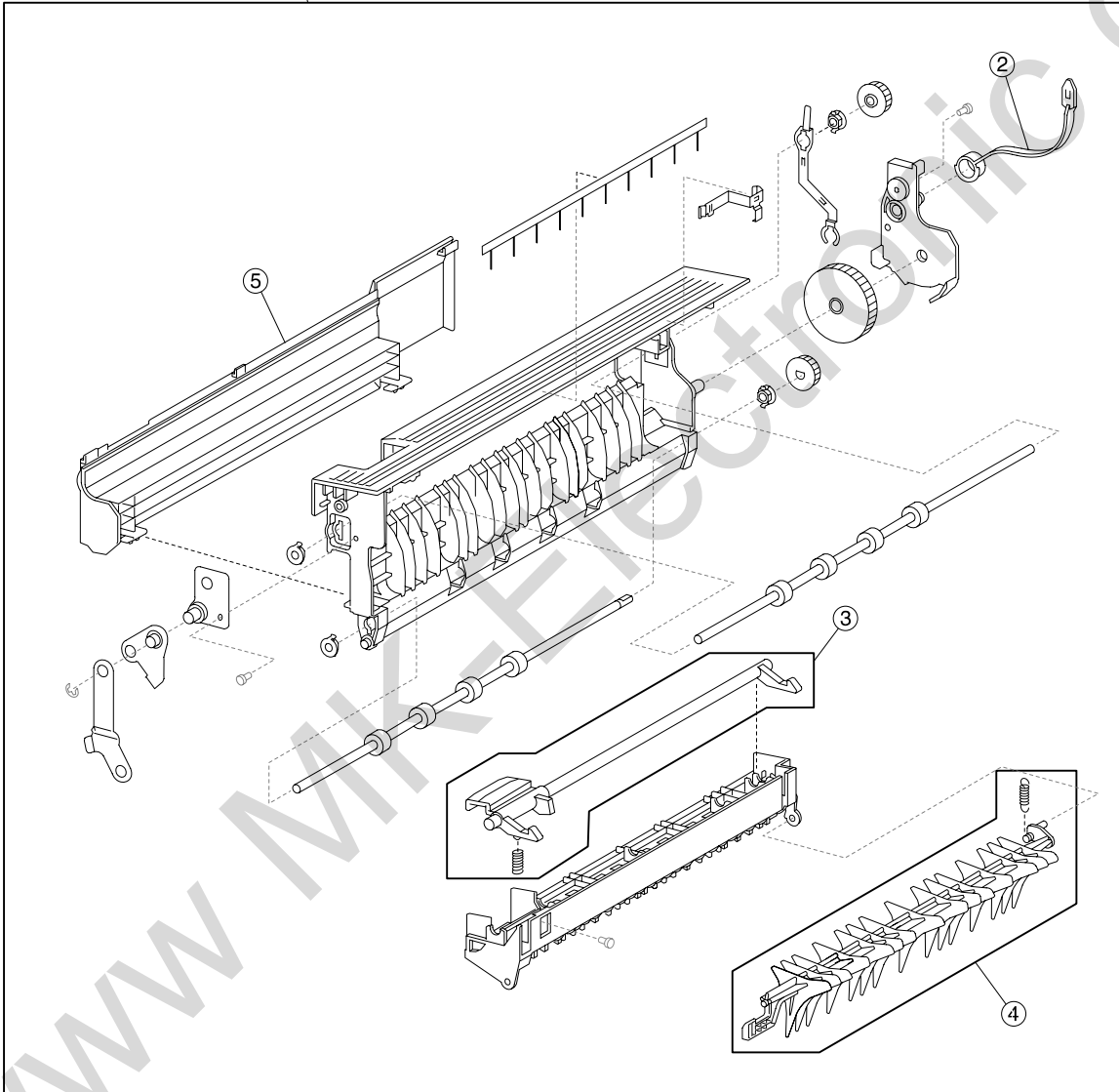
Assembly 40: Duplex inner

Asm-Index	Part number	Units/ option	Units/ FRU	Description
40-1	40X0780	1	1	Duplex unit assembly (this comes assembled)
2	40X0792	1	20	Duplex media transport pinch roll kit includes: <ul style="list-style-type: none"> • Duplex media transport pinch roll (10 each) • Spring (10 each)
3	40X0790	1	2	Duplex docking lock (2 each)
4	40X0791	1	2	Hinge pin (2 each)
5	40X0793	1	9	Duplex media transport roll kit includes: <ul style="list-style-type: none"> • Bushing 6 mm (6 each) • Duplex media transport roll (2 each) • Duplex media center transport roll
6	40X0789	1	1	Duplex left door support strap

Assembly 41: Exit 2 outer

1

Note: This assembly includes everything on pages 7-84 and 7-86.

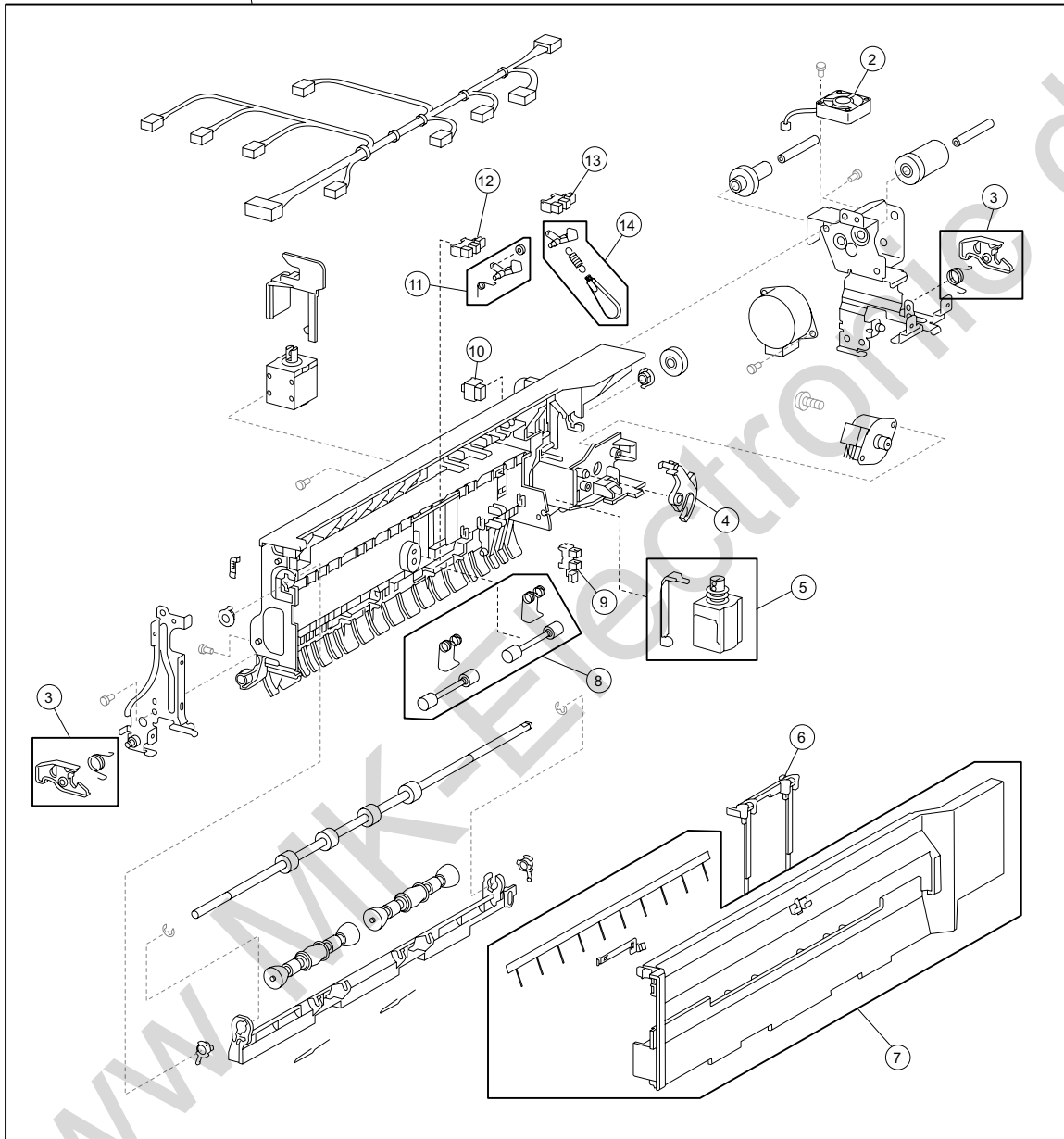


Assembly 41: Exit 2 outer

Asm-Index	Part number	Units/option	Units/FRU	Description
41-1	40X0794	1	1	Exit 2 unit assembly (this comes assembled)
2	40X0797	1	1	Exit 2 left door support strap
3	40X0795	1	2	Exit 2 left door handle kit includes: <ul style="list-style-type: none"> • Exit 2 left door handle • Spring
4	40X0796	1	2	Media diverter gate kit includes: <ul style="list-style-type: none"> • Media diverter gate • Spring
5	40X0798	1	1	Left cover

Assembly 42: Exit 2 inner

1 Note: This assembly includes everything on pages 7-84 and 7-86.

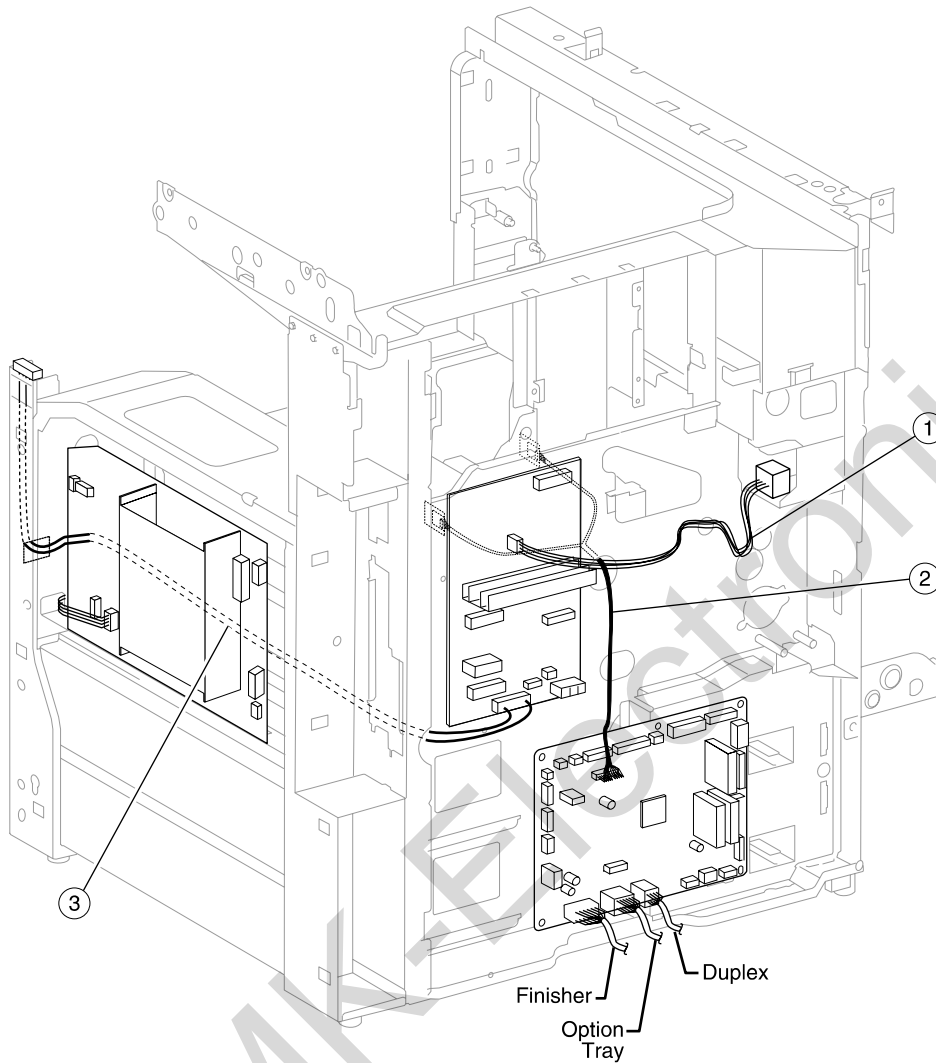


Assembly 42: Exit 2 inner

Asm-Index	Part number	Units/ option	Units/ FRU	Description
42-1	40X0794	1	1	Exit 2 unit assembly (this comes assembled)
2	40X0807	1	1	Exit 2 cooling fan
3	40X0802	1	4	Exit 2 docking latch kit includes: <ul style="list-style-type: none"> • Docking latch (2 each) • Docking latch spring front • Docking latch spring rear
4	40X0803	1	1	Exit 2 media shift gear
5	40X0805	1	2	Media diverter solenoid kit includes: <ul style="list-style-type: none"> • Media diverter solenoid • Media diverter link
6	40X2389	1	3	• Output guide
7	40X0801	1	3	Right cover kit includes: <ul style="list-style-type: none"> • Right cover • Right cover anti static brush • Right cover grounding plate
8	40X0806	1	4	Exit 2 pinch roll kit includes: <ul style="list-style-type: none"> • Spring (2 each) • Exit 2 pinch roll (2 each)
9	40X0588	1	1	Sensor (exit 2 media shift HP)
10	40X0610	1	1	Switch (exit 2 left door interlock)
11	40X0809	1	3	Exit 2 actuator kit includes: <ul style="list-style-type: none"> • Exit 2 actuator • Roller • Spring
12	40X0588	1	1	Sensor (exit 2)
13	40X0588	1	1	Sensor (standard bin full exit 2)
14	40X0808	1	3	Standard bin full exit 2 actuator kit includes: <ul style="list-style-type: none"> • Standard bin full exit 2 actuator inner • Standard bin full exit 2 actuator outer • Spring

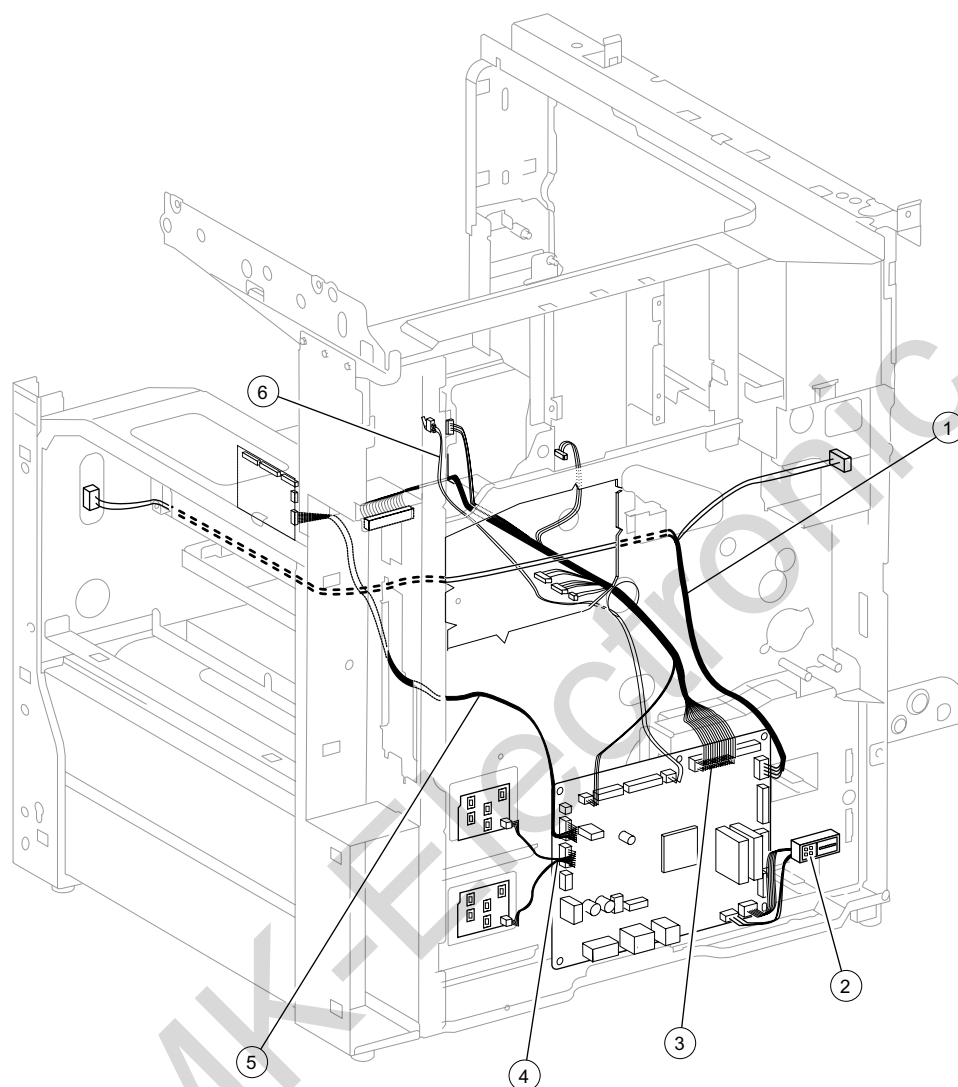
Note: Assembly index items 12 and 13 are identical sensors with different functions; therefore, they are the same part number with different descriptions.

Assembly 43: Electrical cables



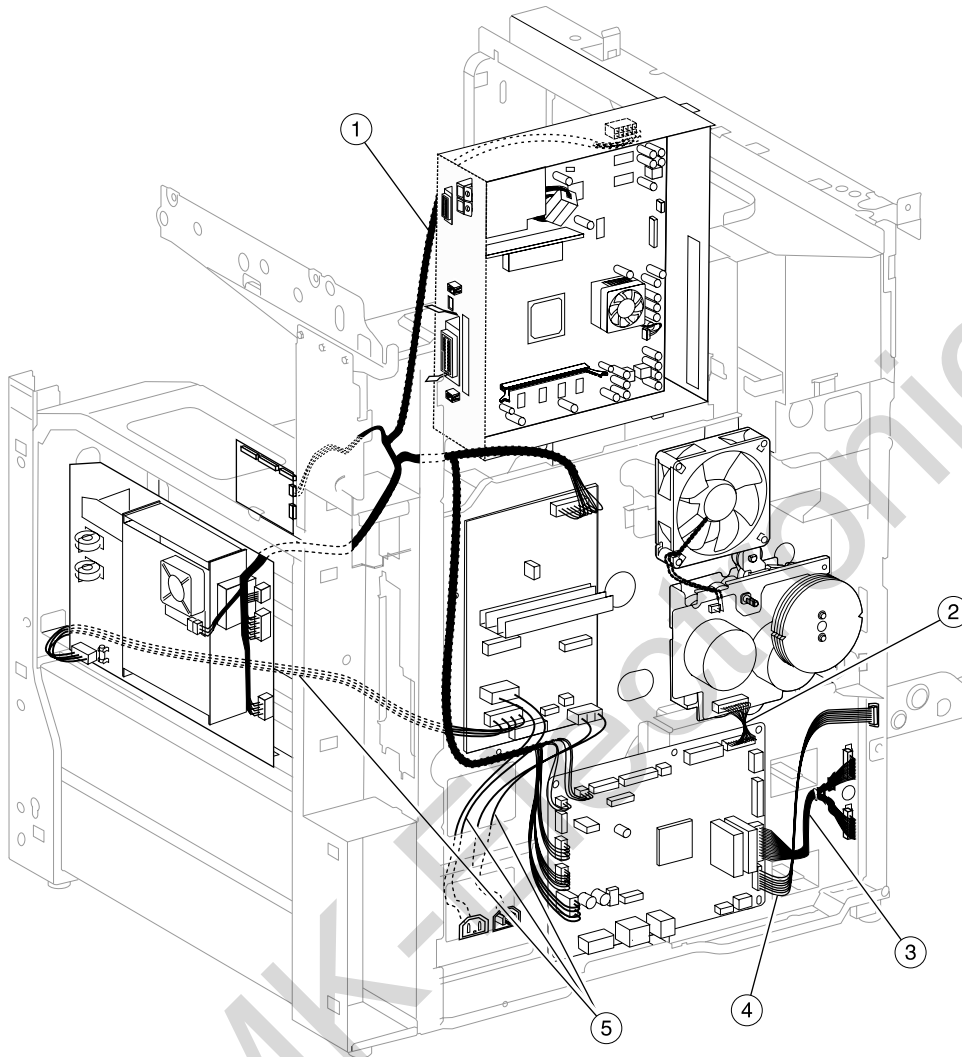
Asm Index	Part number	Units/mach	Units/kit or pkg	Description
43-1	40X2368	1	1	Fuser AC cable assembly
2	40X0686	1	1	RFID sensor cable assembly
3	40X2319	1	1	Main switch cable assembly

Assembly 44: Electrical cables



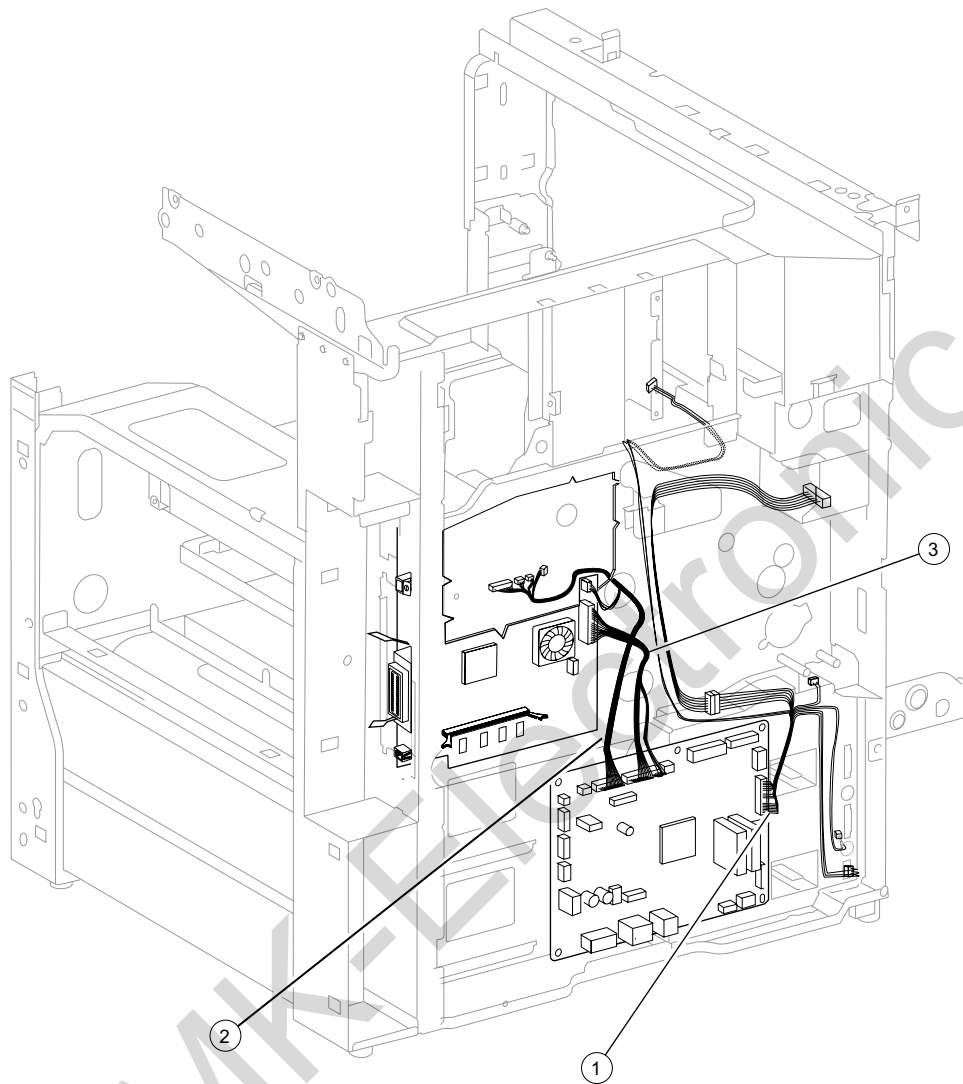
Asm Index	Part number	Units/mach	Units/kit or pkg	Description
44-1	40X0683	1	1	Interlock switch cable assembly
2	40X0673	1	1	HCF hookup connector assembly
3	40X0637	1	1	Multi connector cable assembly 1
4	40X0676	1	1	Media size switch cable assembly
5	40X2318	1	1	Multi connector cable assembly 3 Note: Assembly 44 (Index # 5) on page 89 and Assembly 45 (Index #1) on page 90 is a cable bundle that makes up Multi connector cable assembly 3.
6	40X1390	1	2	Switch (PC cartridge interlock) kit includes: <ul style="list-style-type: none"> • Backup spring • Switch (PC cartridge interlock)

Assembly 45: Electrical cables

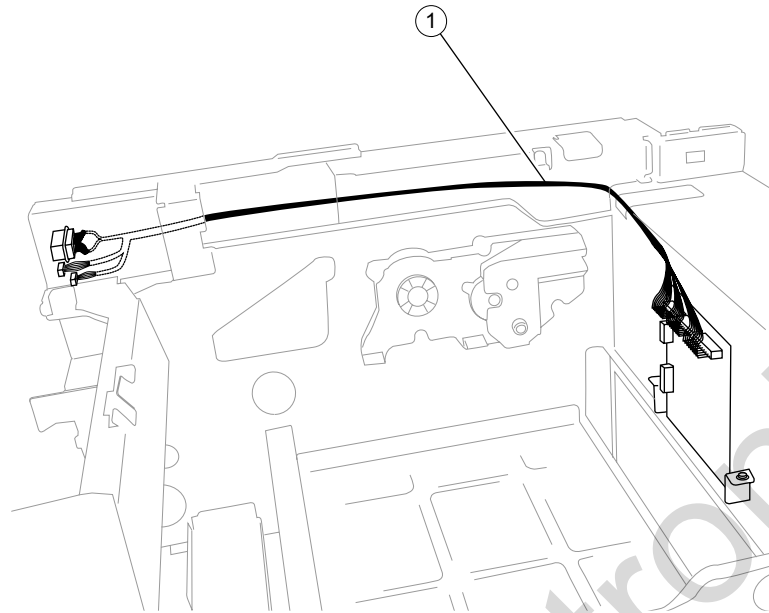


Asm Index	Part number	Units/mach	Units/kit or pkg	Description
45-1	40X2318	1	1	Multi connector cable assembly 3 Note: Assembly 44 (Index # 5) on page 89 and Assembly 45 (Index #1) on page 90 is a cable bundle that makes up Multi connector cable assembly 3.
2	40X0685	1	1	Dual drive motor cable assembly
3	40X0674	1	1	Media feed unit cable assembly
4	40X0675	1	1	MPF hookup cable assembly
5	40X2313	1	7	AC power input socket kit includes: <ul style="list-style-type: none"> • Screws 4 mm (2 each) • Bracket • AC power input socket • Ground wire • Main AC cable assembly • Finisher AC output

Assembly 46: Electrical cables



Asm Index	Part number	Units/mach	Units/kit or pkg	Description
46-1	40X2367	1	1	Multi connector cable assembly 2
2	40X2317	1	1	Printhead cable assembly
3	40X0677	1	1	RIP card cable assembly

Assembly 47: Electrical cable

Asm Index	Part number	Units/mach	Units/kit or pkg	Description
47-1	40X0679	1	1	Exit interface cable assembly

Assembly 48: Power cords

Asm Index	Part number	Units/mach	Units/kit or pkg	Description
48-NS	40X0269	1	1	Power cord—USA, Canada, Latin America, Asia Pacific LV 8ft right angle
NS	40X0270	1	1	Power cord—Japan 15A LV 8ft straight
NS	40X0271	1	1	Power cord—United Kingdom 8ft straight
NS	40X0273	1	1	Power cord—Chile, Italy, Uruguay HV 8ft straight
NS	40X0277	1	1	Power cord—Brazil high amp LV 6ft straight
NS	40X0280	1	1	Power cord—Korea 10A HV 6ft straight
NS	40X0281	1	1	Power cord—Taiwan 13A LV 6ft straight
NS	40X0288	1	1	Power cord—Argentina HV 8ft straight
NS	40X0301	1	1	Power cord—Australia, New Zealand HV 8ft straight
NS	40X0303	1	1	Power cord—China HV 2.44 m straight
NS	40X1767	1	1	Power cord—Austria, Belgium, Brazil, France, Germany, Greece, Italy, Luxembourg, Netherlands, Nordic countries, Paraguay, Poland, Portugal, Russia, Senegal, Spain HV 8ft straight
NS	40X1771	1	1	Power cord—Israel HV 8ft straight
NS	40X1772	1	1	Power cord—Liechtenstein, Switzerland HV 8ft straight
NS	40X1773	1	1	Power cord—South Africa, Hong Kong, Singapore, Thailand, Malaysia HV 8ft straight
NS	40X1774	1	1	Power cord—Denmark HV 8ft straight

Assembly 49: Miscellaneous

Asm-Index	Part number	Units/mach	Units/kit or pkg	Description
49-NS	40X0179	1	1	Nyogel 744 grease packet
NS	40X0290	1	1	RS232C serial interface card
NS	40X0291	1	1	Parallel 1284-B interface card
NS	40X0948	NA	NA	Assorted E-clip packet
NS	40X0949	NA	NA	Assorted screw packet
NS	40X1375	1	1	MarkNet 8000 Fast Ethernet
NS	40X1376	1	1	MarkNet 8020 Gigabit Ethernet
NS	40X1377	1	1	MarkNet 8030 Fiber Ethernet
NS	40X1378	1	1	MarkNet 8050 wireless, US
NS	40X1508	1	1	128MB memory option
NS	40X1509	1	1	256MB memory option
NS	40X1510	1	1	512MB memory option
NS	40X1512	1	1	Japanese font card
NS	40X1513	1	1	Simplified Chinese font card
NS	40X1514	1	1	Traditional Chinese font card
NS	40X1515	1	1	Korean font card
NS	40X1562	1	1	MarkNet 8050 wireless, non-US
NS	40X1564	1	1	32MB Flash card
NS	40X1455	1	1	64MB Flash card
NS	40X2375	1	14	Maintenance kit (110 V) <ul style="list-style-type: none"> • Fuser unit assembly • Transfer roll assembly • Feed rolls (4 each) • Pick rolls (4 each) • Separation rolls (4 each)
NS	40X2376	1	14	Maintenance kit (220 V) <ul style="list-style-type: none"> • Fuser unit assembly • Transfer roll assembly • Feed rolls (4 each) • Pick rolls (4 each) • Separation rolls (4 each)
NS	40X2377	1	14	Maintenance kit (100 V) <ul style="list-style-type: none"> • Fuser unit assembly • Transfer roll assembly • Feed rolls (4 each) • Pick rolls (4 each) • Separation rolls (4 each)
NS	40X3500	1	1	IPDS card assembly
NS	40X2734	1	2	Maintenance kit (ADF) <ul style="list-style-type: none"> • Feed/pick roll assembly • Separation guide assembly
NS	40X2794	1	1	Forms card assembly
NS	40X3501	1	1	Bar code card assembly
NS	40X3501	1	1	PRESCRIBE card assembly