



Deze download wordt u gratis aangeboden door Pick-upnaalden.nl

Web : [www.pickupnaalden.com](http://www.pickupnaalden.com)  
Email : [info@pick-upnaalden.nl](mailto:info@pick-upnaalden.nl)  
Facebook : [www.facebook.com/pickupnaalden](http://www.facebook.com/pickupnaalden)  
Twitter : [twitter.com/Pickupnaalden](http://twitter.com/Pickupnaalden)  
Google+ : [https://plus.google.com/+FCaris\\_pickupnaalden](https://plus.google.com/+FCaris_pickupnaalden)

# PS-LX300USB

## SERVICE MANUAL

Ver. 1.2 2008.09

*US Model  
Canadian Model  
AEP Model  
UK Model  
Australian Model*



### SPECIFICATIONS

- IBM and PC/AT are registered trademarks of International Business Machines Corporation.
- Microsoft, Windows and Windows Vista are either registered trademarks or trademarks of Microsoft Corporation in the United States and / or other countries.
- Sound Forge is a trademark or registered trademark of Sony Creative Software Inc. in the United States and other countries.
- All other names of systems and products are trademarks or registered trademarks of their respective owners. <sup>TM</sup> and <sup>®</sup> marks are omitted in this manual.

#### Motor and Platter

Drive system:  
Belt-drive  
Motor:  
DC motor  
Platter:  
295 mm dia. (aluminum die-cast)  
Speeds:  
33 1/3 and 45 r/min, 2 speed  
Wow and flutter:  
Less than 0.25% (WRMS)  
Signal to noise ratio:  
More than 50 dB (DIN-B)

#### Tone Arm

Type:  
Dynamic balanced straight-shaped with soft damping control  
Effective arm length:  
195 mm

#### USB jack

Power supply:  
USB bus power compliant (5 V, 100 mA)  
(The power is supplied by the PC which is connected with an attached USB cable)  
Output jack:  
Plug-in-power system (Dedicated USB jack)  
USB series B connector  
USB (full-speed)

#### General

Power requirements:  
North American model:  
120 V AC, 60 Hz  
Other models:  
230 – 240 V AC, 50/60 Hz  
Power consumption:  
2 W  
Dimensions:  
Approx. 420 × 95 × 360 mm (16 1/2 × 3 5/8 × 14 1/4 in) (w/h/d)  
Mass:  
3.3 kg (7 lb 5 oz)  
Supplied Accessories:  
45 r/min adaptor (1)  
Platter (with drive belt) (1)  
Rubber mat (1)  
USB cable (1)  
CD-ROM (1)  
Operating Instructions  
The installation guide for "Sound Forge Audio Studio LE"

Design and specifications are subject to change without notice.

## STEREO TURNTABLE SYSTEM

9-887-948-03  
2008105-1  
© 2008.09

**Sony Corporation**  
Audio&Video Business Group  
Published by Sony Techno Create Corporation

# SONY<sup>®</sup>

## SECTION 1 SERVICING NOTES

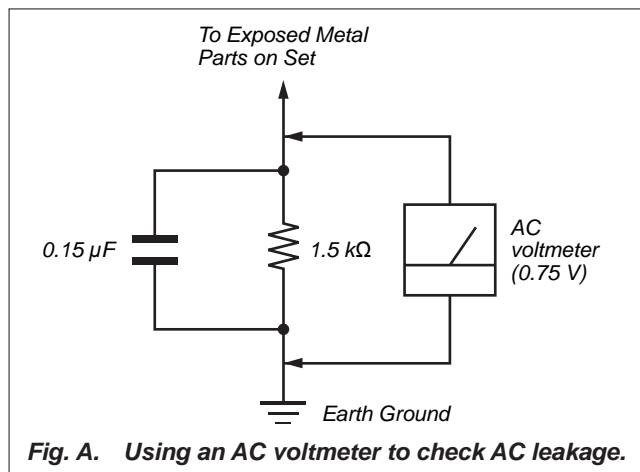
### SAFETY CHECK-OUT

After correcting the original service problem, perform the following safety check before releasing the set to the customer: Check the antenna terminals, metal trim, "metallized" knobs, screws, and all other exposed metal parts for AC leakage. Check leakage as described below.

### LEAKAGE TEST

The AC leakage from any exposed metal part to earth ground and from all exposed metal parts to any exposed metal part having a return to chassis, must not exceed 0.5 mA (500 microamperes.). Leakage current can be measured by any one of three methods.

1. A commercial leakage tester, such as the Simpson 229 or RCA WT-540A. Follow the manufacturers' instructions to use these instruments.
2. A battery-operated AC milliammeter. The Data Precision 245 digital multimeter is suitable for this job.
3. Measuring the voltage drop across a resistor by means of a VOM or battery-operated AC voltmeter. The "limit" indication is 0.75 V, so analog meters must have an accurate low-voltage scale. The Simpson 250 and Sanwa SH-63Trd are examples of a passive VOM that is suitable. Nearly all battery operated digital multimeters that have a 2 V AC range are suitable. (See Fig. A)



### SAFETY-RELATED COMPONENT WARNING!

COMPONENTS IDENTIFIED BY MARK  $\Delta$  OR DOTTED LINE WITH MARK  $\Delta$  ON THE SCHEMATIC DIAGRAMS AND IN THE PARTS LIST ARE CRITICAL TO SAFE OPERATION. REPLACE THESE COMPONENTS WITH SONY PARTS WHOSE PART NUMBERS APPEAR AS SHOWN IN THIS MANUAL OR IN SUPPLEMENTS PUBLISHED BY SONY.

### ATTENTION AU COMPOSANT AYANT RAPPORT À LA SÉCURITÉ!

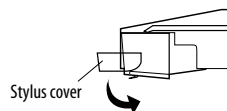
LES COMPOSANTS IDENTIFIÉS PAR UNE MARQUE  $\Delta$  SUR LES DIAGRAMMES SCHÉMATIQUES ET LA LISTE DES PIÈCES SONT CRITIQUES POUR LA SÉCURITÉ DE FONCTIONNEMENT. NE REMPLACER CES COMPOSANTS QUE PAR DES PIÈCES SONY DONT LES NUMÉROS SONT DONNÉS DANS CE MANUEL OU DANS LES SUPPLÉMENTS PUBLIÉS PAR SONY.

### REPLACING THE STYLUS

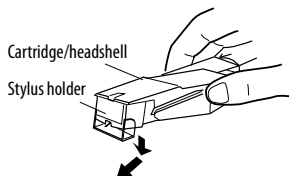
The life expectancy of the stylus tip is about 500 hours. To preserve good sound quality and avoid damage to your records, we recommend replacing the stylus within this time limit. For a replacement stylus, consult your nearest Sony dealer.

#### To remove the stylus

- 1 Turn off and unplug the AC power cords of the turntable and amplifier.
- 2 Protect the stylus with the stylus cover.



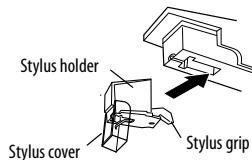
- 3 Grasp the stylus holder and pull it downward away from the body of the cartridge/headshell as shown.



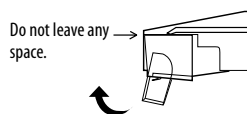
#### To install the stylus

Do this procedure with the stylus protected by the stylus cover.

- 1 Grasp both sides of the stylus holder, then insert the stylus grip into the cartridge/headshell receptacle.



- 2 Push up the stylus holder until it clicks so that it locks completely.

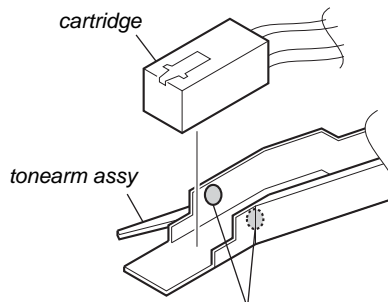


#### Note

Do not push the stylus cover forcefully. Otherwise, the exposed stylus from the cover may cause injury, or damage the stylus.

### NOTE FOR CHANGING THE CARTRIDGE

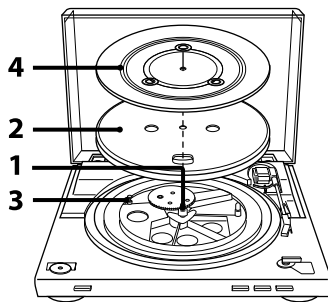
**Note:** When changing the cartridge, be sure to fix by a bond.



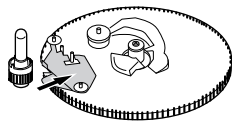
SONY BOND SC608LV (Part No. 7-600-000-48) or equivalent bond.

- bottom view -

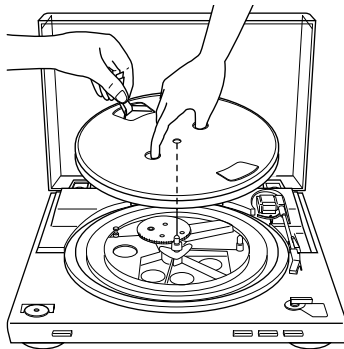
## ASSEMBLING THE TURNTABLE



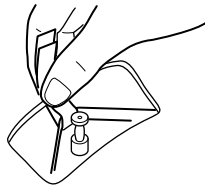
- 1** Move the metallic parts inside the larger gear in the direction of the arrow.



- 2** Carefully place the platter on the spindle.



- 3** Using the ribbon, loop the drive belt around the motor pulley.  
After looping the belt, do not forget to remove the ribbon.



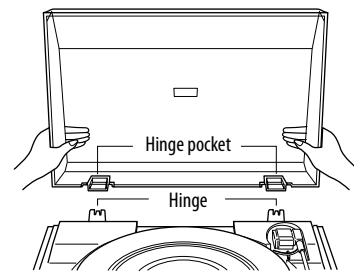
- 4** Place the rubber mat on the platter.

### Note

When the AC power cord is plugged after assembling or moving the turntable, the turntable sometimes rotates and the tone arm descends to the platter even if START is not pressed.  
If this occurs, press STOP to return the tone arm to the arm stand.

### To remove the dust cover

With the dust cover fully opened, grasp both sides of the cover, then remove it carefully.



### Tip

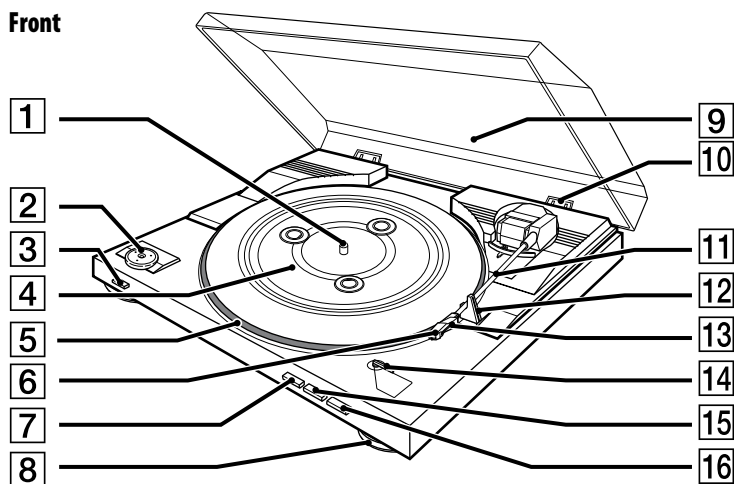
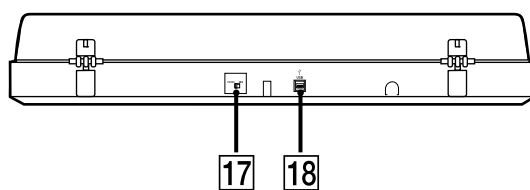
You can use the turntable leaving the dust cover removed.  
In that case, store the cover correctly.

### To install the dust cover

Insert the hinge pockets on the dust cover into the hinges on the rear of the cabinet.

**Parts and Controls**

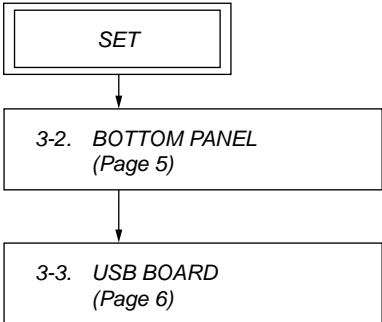
- |                           |                      |
|---------------------------|----------------------|
| 1 Spindle                 | 10 Hinge             |
| 2 45 r/min adaptor        | 11 Tone arm          |
| 3 Speed select button     | 12 Arm stand         |
| 4 Rubber mat              | 13 Finger lift       |
| 5 Platter                 | 14 SIZE SELECTOR     |
| 6 Cartridge and headshell | 15 STOP button       |
| 7 START button            | 16 UP/DOWN button    |
| 8 Insulator               | 17 PHONO/LINE switch |
| 9 Dust cover              | 18 USB jack          |

**Front****Rear**

# SECTION 3 DISASSEMBLY

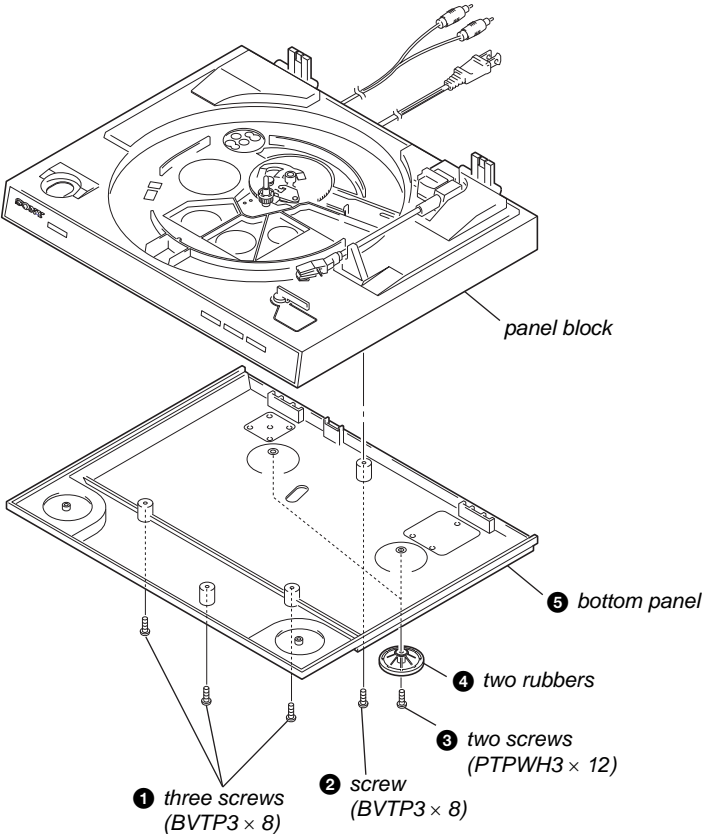
- This set can be disassembled in the order shown below.

## 3-1. DISASSEMBLY FLOW



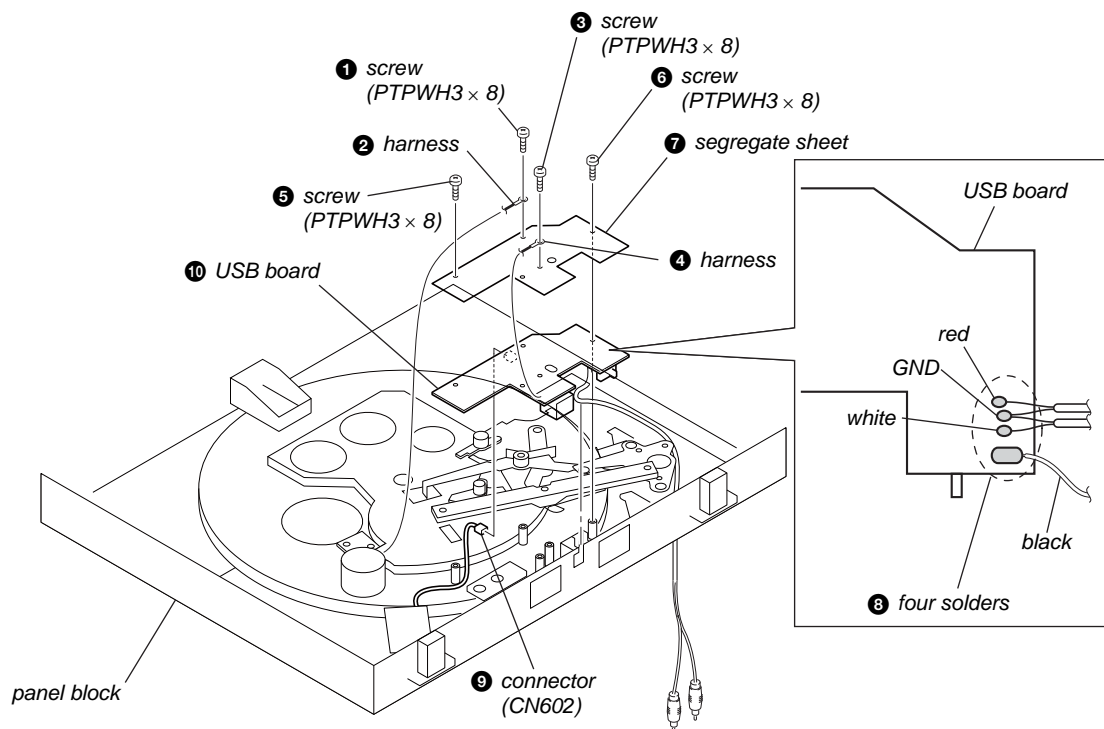
**Note:** Follow the disassembly procedure in the numerical order given.

## 3-2. BOTTOM PANEL



### 3-3. USB BOARD

**Note:** This illustration is seeing panel block from the base side.



# SECTION 4 EXPLODED VIEWS AND ACCESSORIES

**Note:**

- -XX and -X mean standardized parts, so they may have some difference from the original one.
- Items marked "\*" are not stocked since they are seldom required for routine service. Some delay should be anticipated when ordering these items.

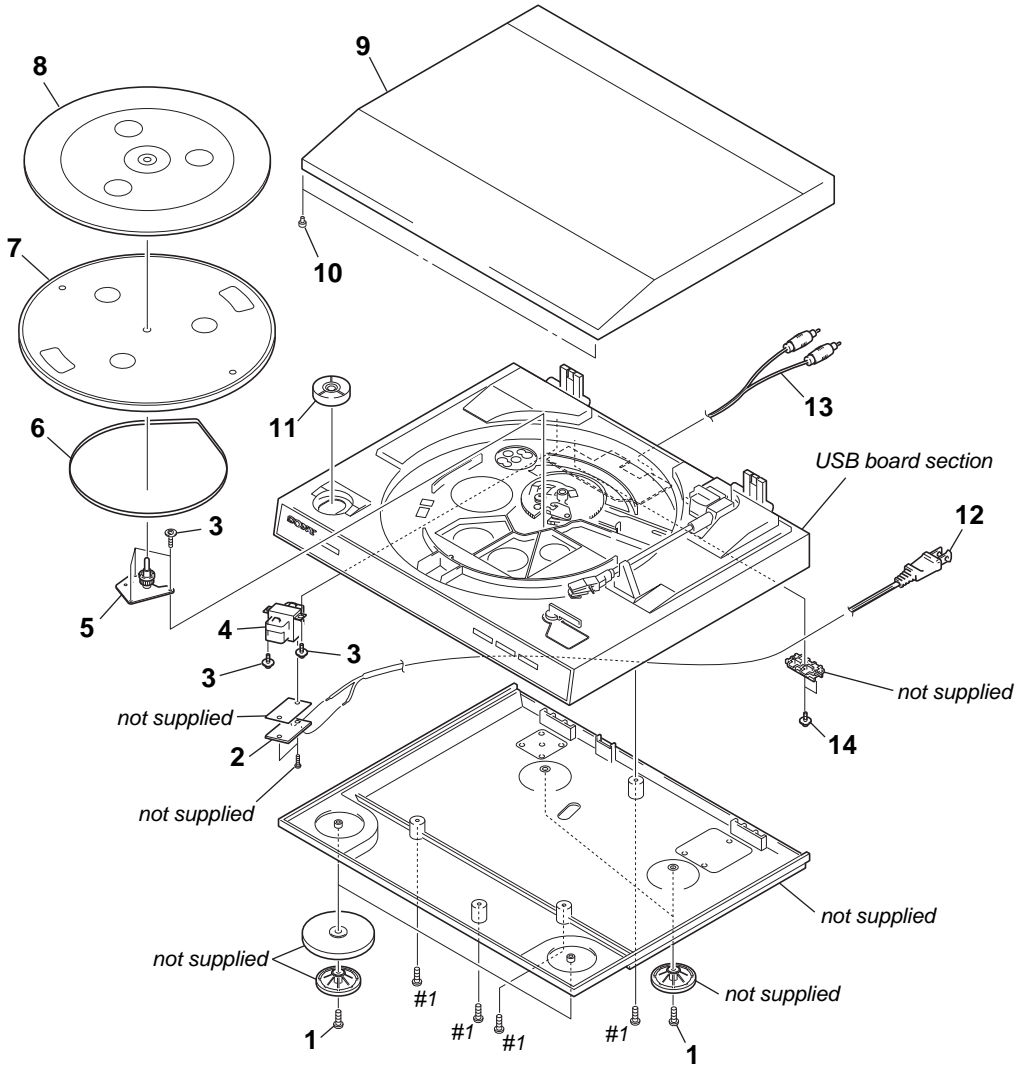
- The mechanical parts with no reference number in the exploded views are not supplied.
- Color Indication of Appearance Parts Example:  
KNOB, BALANCE (WHITE) . . . (RED)

Parts Color      Cabinet's Color

The components identified by mark  $\triangle$  or dotted line with mark  $\triangle$  are critical for safety. Replace only with part number specified.

Les composants identifiés par une marque  $\triangle$  sont critiques pour la sécurité. Ne les remplacer que par une pièce portant le numéro spécifié.

**4-1 OVERALL SECTION**

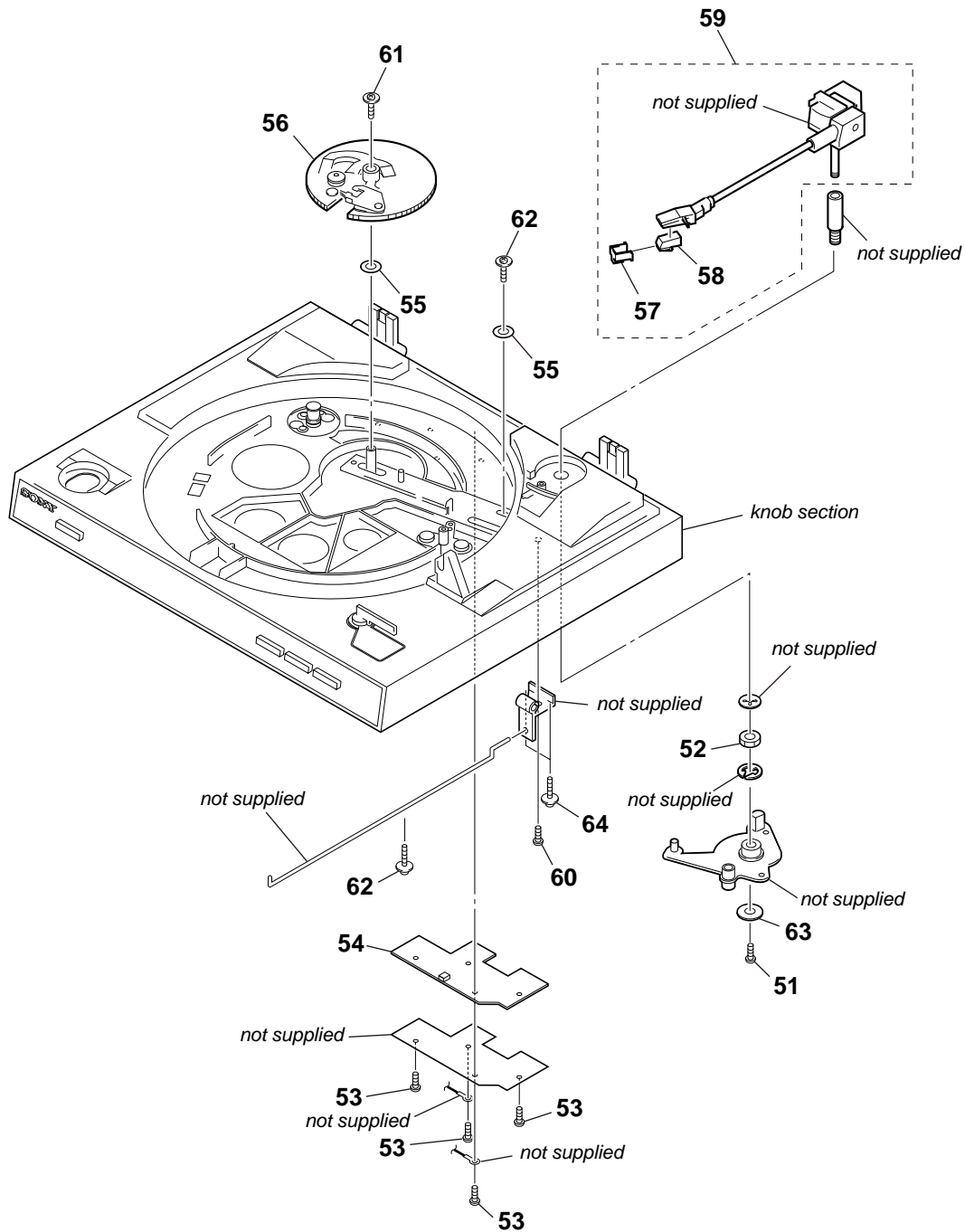


**Note:** When POWER board failed, please change the board entirely.

Ref. No.	Part No.	Description	Remark	Ref. No.	Part No.	Description	Remark
1	4-215-536-01	SCREW=PTPWH 3X12 W10 STEP		10	9-885-117-82	RUBBER FOOT FOR DUSTCOVER	
2	9-885-117-64	POWER BOARD, COMPLETE		11	9-885-117-84	45 RPM ADAPTER (45 r/min adaptor)	
3	4-215-531-01	SCREW=PTPWH 3X8 W8		$\triangle$ 12	9-885-117-93	CORD, POWER (US) (US, Canadian)	
$\triangle$ 4	9-885-117-02	TRANSFORMER (CEL), POWER (AEP, UK, Australian)		$\triangle$ 12	9-885-117-96	CORD, POWER (CEL) (AEP)	
$\triangle$ 4	9-885-117-66	TRANSFORMER (US), POWER (US, Canadian)		$\triangle$ 12	9-885-117-97	CORD, POWER (CEK) (UK)	
5	9-885-117-69	CENTER & PINION ASSY		$\triangle$ 12	9-885-117-98	CORD, POWER (AU) (Australian)	
6	9-885-117-87	BELT (Drive belt)		13	9-885-117-92	CORD, CONNECTION	
7	9-885-117-85	TURN TABLE (Platter)		14	4-215-534-01	SCREW=PTPWH 3X16 W8	
8	9-885-117-86	PAD, RUBBER (Rubber mat)		#1	7-685-646-79	SCREW +BVTP 3X8 TYPE2 IT-3	
9	9-885-117-71	DUSTCOVER					



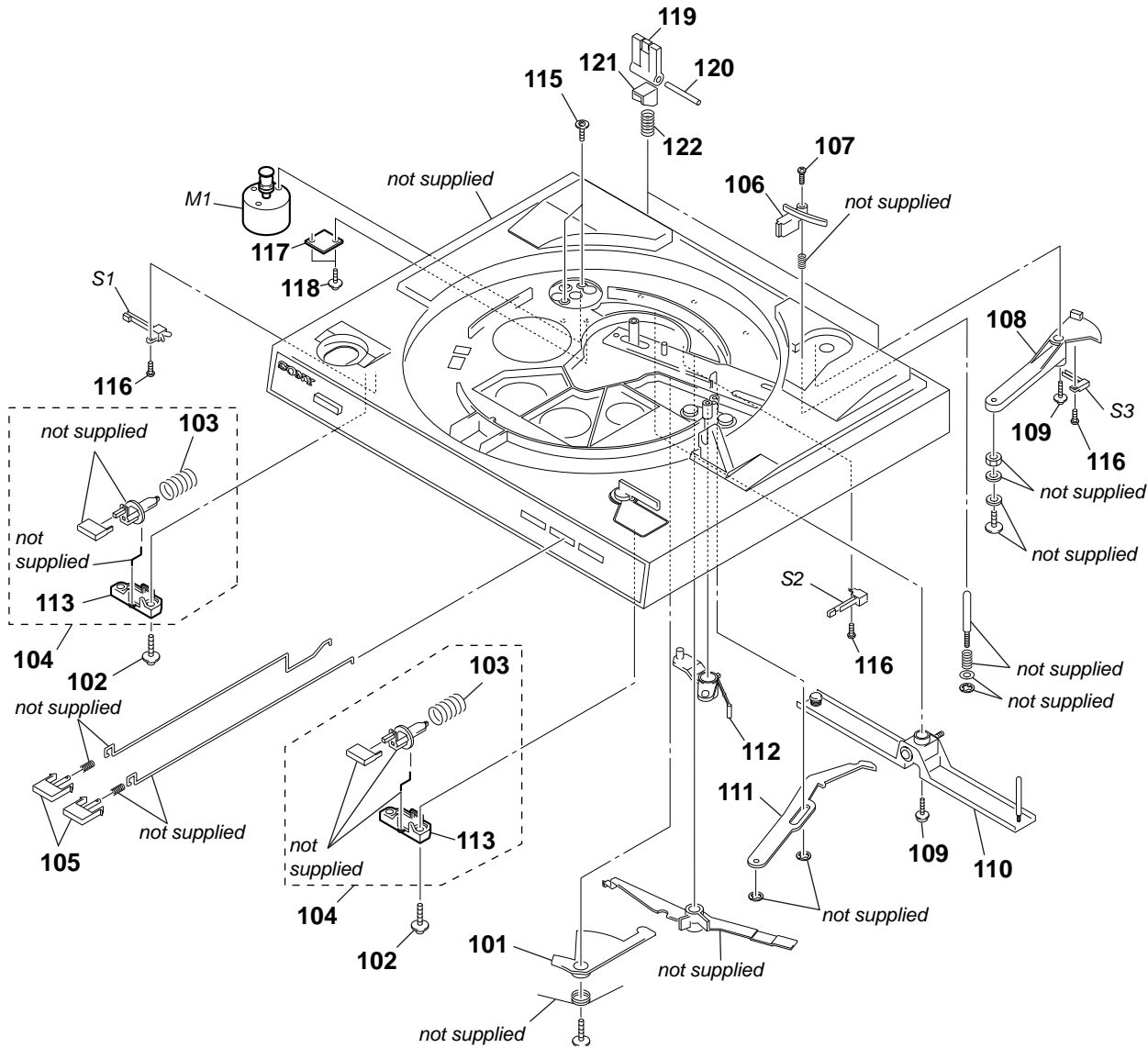
4-2 USB BOARD SECTION



**Note:** When USB board failed, please change the board entirely.

Ref. No.	Part No.	Description	Remark	Ref. No.	Part No.	Description	Remark
51	4-215-538-01	SCREW PS 3X12		58	9-885-117-76	CARTRIDGE	
52	4-215-530-01	NUT M9 HEX 11		59	9-885-117-72	TONEARM ASSY	
53	4-215-532-01	SCREW=PTPWH 3X8 W10		60	4-215-520-01	SCREW BVTT 3X20	
54	9-885-117-63	USB BOARD, COMPLETE		61	4-215-539-01	SCREW=PTPWH 3X7 W10	
55	4-215-523-01	COLLAR (D6D8X1.5)		62	4-215-540-01	SCREW=BVTPW 3X10 W13	
56	9-885-117-68	GEAR ASSY, CAM		63	4-215-562-01	WASHER D3.2 W13	
57	9-885-117-75	STYLUS (N-6516)		64	4-215-576-01	SCREW=PTPWH 3X10 W10	

4-3 KNOB SECTION



Ref. No.	Part No.	Description	Remark	Ref. No.	Part No.	Description	Remark
101	9-885-117-78	PENDULUM (L)		115	4-215-541-01	SCREW (F 3X6.5) STEP	
102	4-215-533-01	SCREW=PTPWH 3X12 W8		116	4-215-542-01	SCREW=PTP 2.6X8	
103	4-215-526-01	SPRING		117	9-885-117-03	ADAPTOR BOARD, COMPLETE	
104	9-885-117-67	SET ASSY, KNOB SHAFT (&)		118	4-215-532-01	SCREW=PTPWH 3X10 W8	
105	9-885-117-74	KNOB, PLAY STOP		119	4-216-509-01	HINGE	
106	9-885-117-81	LIFTER		120	4-216-534-01	HINGE PIN	
107	4-215-535-01	SCREW=PTP 3X8		121	4-216-510-01	HINGE SLIDE	
108	9-885-117-77	FIXING SWITCH SET		122	4-216-536-01	HINGE SPRING	
109	4-215-537-01	SCREW=PTPWH 3X10 W8		M1	9-885-117-73	MOTOR ASSY (TURN TABLE)	
110	9-885-117-70	SHAFT ASSY		S1	9-885-117-88	SWITCH, LEAF (SPEED SETTING)	
111	9-885-117-83	CONTROL PLATE		S2	9-885-117-88	SWITCH, LEAF (TONE ARM UP/DOWN DETECT)	
112	9-885-117-79	PENDULUM (M)		S3	9-885-117-89	SWITCH, LEAF (TONE ARM TURN DETECT)	
113	9-885-117-80	KNOB SET					
114	4-215-540-01	SCREW=BVTPW 3X10 W13					

**4-4 ACCESSORIES**

<u>Ref. No.</u>	<u>Part No.</u>	<u>Description</u>	<u>Remark</u>
	3-198-123-13	MANUAL, INSTRUCTION (ENGLISH)	
	3-198-123-22	MANUAL, INSTRUCTION (FRENCH, SPANISH) (Canadian, AEP)	
	3-198-123-32	MANUAL, INSTRUCTION (GERMAN, DUTCH, ITALIAN) (AEP)	
	3-198-123-42	MANUAL, INSTRUCTION (SWEDISH, POLISH) (AEP)	
	3-296-918-01	APPLICATION SOFTWARE (SFAS) (CD-ROM: Sound Forge Audio Studio LE)	
	3-878-582-11	MANUAL, INSTRUCTION (DANISH, FINNISH) (AEP)	
	3-878-582-21	MANUAL, INSTRUCTION (PORTUGUESE) (AEP)	
	3-878-582-31	MANUAL, INSTRUCTION (RUSSIAN) (AEP)	
	3-878-582-41	MANUAL, INSTRUCTION (GREEK) (AEP)	
	3-878-582-51	MANUAL, INSTRUCTION (CZECH, HUNGARIAN) (AEP)	
	3-878-582-61	MANUAL, INSTRUCTION (TURKISH) (AEP)	
	3-878-582-71	MANUAL, INSTRUCTION (SLOVAKIAN) (AEP)	
	9-885-117-84	45 RPM ADAPTER (45 r/min adaptor)	
	9-885-117-85	TURN TABLE (Platter)	
	9-885-117-86	PAD, RUBBER (Rubber mat)	
	9-885-117-87	BELT (Drive belt)	
	9-885-117-95	CABLE, USB	

MEMO

