



YOU CAN RELY ON DEFY

DTD 297
DTD 298

Autodry 600 Premium Plus

CONDENSER TECHNOLOGY

www.defy.co.za

Please read this manual first!

Dear Customer,

We hope that your product which has been manufactured in modern facilities and passed through a strict quality control procedure will give you the best results.

Therefore, we advise you to read through this manual carefully before using your product and keep it for future reference.

This operation manual will...

...help you use your machine in a fast and safe way.

- Please read the Operation Manual before installing and starting your machine.
- Particularly follow the instructions related to safety.
- Keep this Operating Manual within easy reach. You may need it in the future.
- Please read all additional documents supplied with this machine.

Please note that this Operating Manual may be applicable for several other models. Differences between models will be identified in the manual.

Explanation of symbols

Throughout this Operation Manual the following symbols are used:



Important safety information

This is the general warning sign. It is used to alert the user to potential hazards. All safety messages that follow this sign shall be obeyed to avoid possible harm.



Caution, risk of electric shock



Caution, risk of fire



Caution, hot surface



Read the instructions



Useful information.

Important information or useful hints about usage.

TABLE OF CONTENTS

1 Your Dryer 4

Overview 4

2 Important Safety Instructions 5

3 Installation 7

Appropriate installation location 7

Under Counter Installation 7

Mounting over a washing machine 7

Adjusting the feet 7

Ventilation hose and connection (for products equipped with an outlet vent) 7

Connection to water drain (Products equipped with a condenser); 8

Electrical connection 9

Destroying packaging material 9

Disposing of the old machine 9

4 Initial preparations for drying 10

Garments suitable for drying in the machine 10

Preparing clothes to be dried 10

Correct load capacity 10

Loading door 11

5 Selecting a Program and Operating Your Machine 12

Control panel 12

Turning the machine on 12

Program selection 12

Technical Specifications 13

Program selection and consumption table 14

Auxiliary function 15

Warning indicators 15

Starting the Program 15

Progress of program 15

Changing the program after the program has started 15

Child-proof lock 15

Ending the program through canceling 16

End of program 16

6 Quick instructions for daily use 17

7 Maintenance and cleaning 18

Cover filter 18

Sensor (models equipped with a sensor) 18

Water tank (Products equipped with a condenser); 18

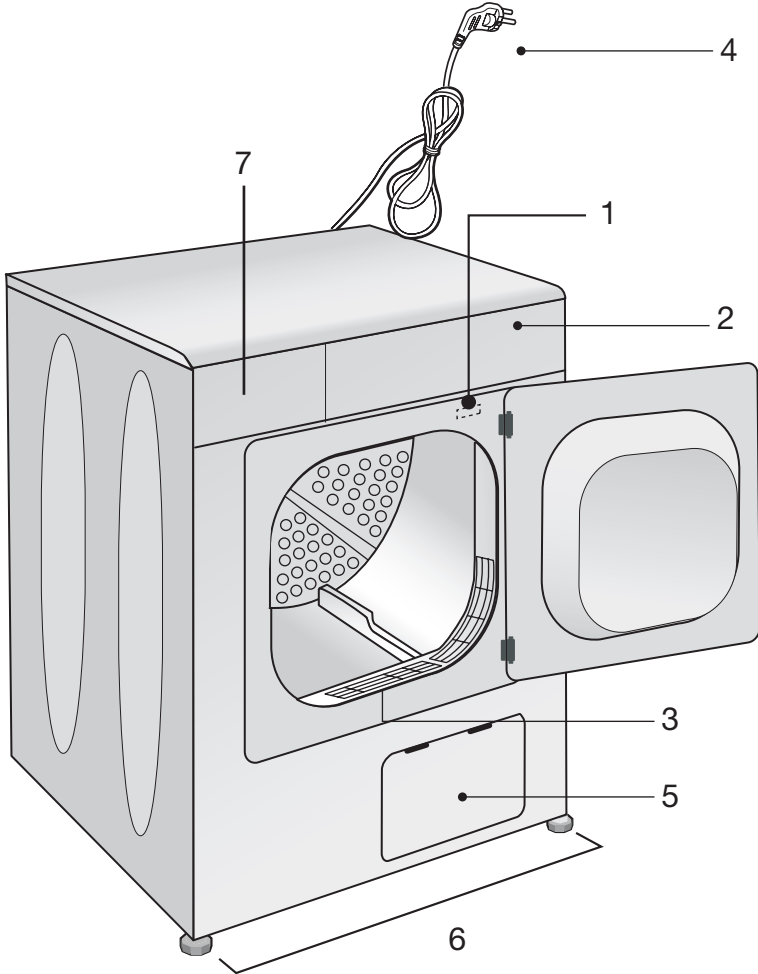
For the condenser (products equipped with a condenser); 19

8 Solution suggestions for problems 20

1 Your Dryer

Overview

Figure 1



1 Type label

2 Control Panel

3 Lint filter

4 Power Cord

5 Condenser and water tank cover

6 Adjustable Feet

7 Water tank

Specifications of this appliance may change without notice to improve the quality of the product. Figures in this manual are schematic and may not match your product exactly. Values stated on the machine labels or in the documentation accompanying it are obtained in laboratory in accordance with the relevant standards. Depending on operational and environmental conditions of the appliance, values may vary.

2 Important Safety Instructions

⚠ WARNING: To reduce the risk of fire, electric shock, or injury to persons when using your appliance, follow basic precautions including the following:

- Read all instructions before using the appliance. Otherwise, there may be the risk of personal injury or material damage. Moreover, any warranty and reliability commitment will become void.

⚠ This product has been designed for home use only.

- Your machine can be operated at temperatures between +5°C and +35°C.
- The appliance must not be installed behind a lockable door, a sliding door or a door with a hinge on the opposite side to that of the tumble dryer.
- Do not install or store this appliance where it will be exposed to the weather.
- Do not tamper with controls.
- Do not repair or replace any part of the appliance or attempt any servicing unless specifically recommended in the user-maintenance instructions or in published user-repair instructions that you understand and have the skills to carry out.
- Unplug the machine when it is not in use.
- Never wash down the appliance with water! There is the risk of electric shock!
- Never touch the plug with wet hands.
- Never pull from the cable to unplug the machine.
- Do not operate the machine if the power cord or plug is damaged.
- Never attempt to repair the machine yourself.
- For malfunctions that cannot be solved by information in the operating manual: Turn off and unplug the appliance and call an authorized service agent.
- This appliance must be grounded. In the event of malfunction or breakdown, grounding will reduce the risk of electric shock by providing a path of least resistance for electric current. This appliance is equipped with a cord having an equipment-grounding conductor and a grounding plug. The plug must be plugged into an appropriate outlet that is properly installed and grounded

in accordance with all local codes and ordinances.

⚠ WARNING: Improper connection of the equipment-grounding conductor can result in a risk of electric shock. Check with a qualified electrician or service representative or personnel if you are in doubt as to whether the appliance is properly grounded.

- Power cord plug must be within easy reach after installation.
- To reduce the risk of fire or electrical shock, do not use extension cords, multi-plugs or an adapter to connect the dryer to electrical mains.
- Do not modify the plug provided with the appliance: if it will not fit the outlet, have a proper outlet installed by a qualified electrician.
- If the supply cord is damaged, it must be replaced by the manufacturer, its service agent or similarly qualified persons in order to avoid a hazard.
- The appliance must not be operated unless it is repaired! There is the risk of electric shock!
- Ventilation openings in the base must not be obstructed by a carpet, etc.
- Exhaust air must not be discharged into a flue, which is used for exhausting fumes from appliances burning gas or other fuels.
- Adequate ventilation has to be provided to avoid the back flow of gases into the room from appliances burning other fuels, including open fires.
- Do not dry articles that have been previously cleaned in, washed in, soaked in or spotted with petrol/gasoline, dry-cleaning solvents or other flammable or explosive substances as they give off vapors that could ignite or explode.
- Do not use the tumble dryer if the industrial chemicals have been used for cleaning.
- Do not dry unwashed items in the tumble dryer.
- Items that have been soiled with substances such as cooking oil, acetone, alcohol, petrol, kerosene, spot removers, turpentine, waxes and wax removers should be washed in hot water with an extra amount of detergent before being dried in the tumble dryer.

- Items such as foam rubber (latex foam), shower caps, waterproof textiles, rubber backed articles and clothes or pillows fitted with foam rubber pads should not be dried in the tumble dryer.
- Do not use fabric softeners or products to eliminate static unless recommended by the manufacturer of the fabric softener or product.
- The appliance may only be used for drying of textiles that are marked accordingly.
- Undergarments that contain metal reinforcements should not be placed in a tumble dryer. Damage to the tumble dryer can result if metal reinforcements come loose during drying.
- Check all garments for forgotten lighters, coins, metal pieces, needles, etc. before loading.
- Fabric softeners, or similar products, should be used as specified by the fabric softener instructions.
- The final part of a tumble dryer cycle occurs without heat (cool-down cycle) to ensure that the items are left at a temperature that ensures that the items will not be damaged.

⚠ WARNING: Never stop tumble dryer before the end of the drying cycle unless all items are quickly removed and spread out so that the heat is dissipated.

- Do not reach into the appliance if the drum is moving.
- Do not allow children to play on or in the appliance.
- Young children should be supervised to ensure that they do not play with the appliance.
- Before the appliance is removed from service or discarded, remove the door to the drying compartment.
- Close the loading door when you leave the area where the machine is located.
- This appliance is not intended for use by persons (including children) with reduced physical, sensory or mental capabilities, or lack of experience and knowledge, unless they have been given supervision or instruction concerning use of the appliance by a person responsible for their safety.
- Clean lint screen before or after each load.
- Keep area around the exhaust opening and adjacent surrounding areas free from the accumulation of lint, dust, and dirt.
- The interior of the appliance and exhaust duct should be cleaned periodically by qualified service personnel.
- Never use the dryer without the lint filter.

SAVE THESE INSTRUCTIONS

3 Installation

Appropriate installation location

- Install your machine in environments which have no risk of freezing and in a stable and level position.
 - Do not place your machine on a long pile rug or on similar surfaces.
 - Operate your machine in a well ventilated, dust-free environment.
 - Do not block the air ducts in front of and under the machine with materials such as long pile rugs and wooden bands.
- ⚠ Make sure that your machine is not placed on the power cable.
- ⚠ Keep at least 1.5 cm from the edges of other furniture.

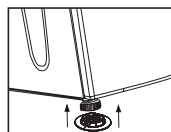
Under Counter Installation

- A special part (Part no: 295 970 0100) replacing the top trim must be provided and installed by the Authorized Service in order to use the machine under a counter or in a cupboard. It should never be operated without the top trim.
- Leave at least 3 cm of space between the side and rear walls of the machine and the walls of the counter/cupboard when installing your machine under a counter or in a cupboard.

Mounting over a washing machine

- A fitting device should be used between the two machines for use on a washing machine. The bracket (Part no. 296 280 0100 white/296 280 0200 gray) must be installed by the Authorized Service.
- Place the machine on a sound floor. If it is to be placed on top of a washing machine, the approximate weight together may reach 180 kg when they are full. Therefore, the floor must be capable of carrying the load on it!

Adjusting the feet



In order to ensure that your machine operates more silently and vibration-free, it must stand level and balanced on its feet. Front feet of your machine can be adjusted. Balance the machine by adjusting the feet.

1. Loosen the feet by hand.
2. Adjust them until the machine stands level and firmly.

- ④ Do not use any tools to loosen the adjustable feet. Otherwise, they can be damaged.
- ④ Never unscrew the adjustable feet from their housings.

2 plastic pieces supplied along with the Operating Instructions prevent your machine from slipping on wet and slippery surfaces. To install the plastic parts:

1. Tilt your machine to backwards.
2. Fit the plastic parts on to the front adjustable feet. Press on the plastic parts to snap them into place.
3. Check the balance of your machine again and readjust the adjustable feet if necessary.

Ventilation hose and connection (for products equipped with an outlet vent)

Ventilation hose allows exhaust air from inside the machine

Vented dryer has 1 air outlet.

Stainless sheet metal or aluminum pipes can be used instead of hose. The pipe diameter should be minimum 10 cm.

Maximum hose and pipe lengths are given in the table below.

	Hose	Pipe
Maximum length	4 m	5 m
1 elbow 45°	-1.0 m	-0.3 m
1 elbow 90°	-1.8 m	-0.6 m
1 elbow 90° short		-2.7 m
1 wall passage	-2.0 m	-2.0 m

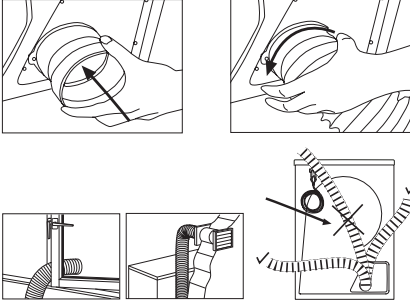
- ④ Each elbow and other passages should be subtracted from the above maximum length.

To connect a ventilation hose;

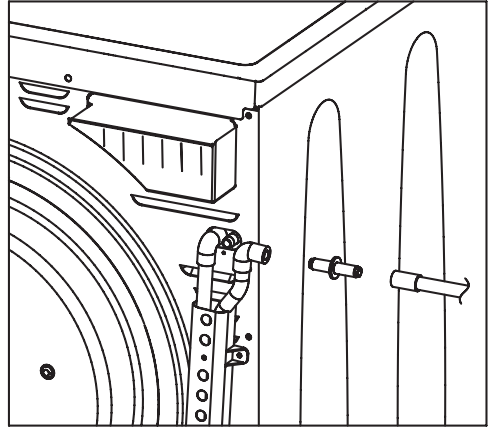
1. Connect the air outlet hose to the hose spacer piece by turning it anti-clockwise.
 2. Make the hose passages as shown below.
- ④ Exhaust of humid air from the dryer into the room is inconvenient. It may damage the walls and furniture in the room.
 - ④ The ventilation hose can be routed outdoors via a window or it can be connected to the air outlet in the bathroom.
 - ④ Air outlet hose must be extended directly to the outdoors. There must be a limited

number of elbows as not to hinder ventilation.

- i** To prevent water accumulation in the hose, make sure that it is not folded on the floor.



3. The other end of the drain hose can be connected directly to the wastewater drain or to the washbasin. The fitting must always be secured in every type of connection. Your house may flood if the hose comes out of its housing during water discharge.



- ⚠** The air ventilation hose should not be connected to the chimney of a stove or a fireplace.

- ⚠** Do not operate your machine at the same time with heaters such as a coal or gas stove. Airflow may cause the chimney to flare up. Airflow may cause the chimney to flare up.

Connection to water drain (Products equipped with a condenser);

In products equipped with a condenser unit water accumulated during the drying cycle collects in the water tank. You should drain accumulated water after each drying cycle. You can directly drain accumulated water through the water drain hose supplied with the machine instead of periodically draining the water collected in the water tank.

Important:

- You must be careful not to pinch or bend the hose.
- The end of the hose should not be bent, it should not be stepped on and it must not be folded between the drain and the machine.

- i** When you direct the water drain out, “Water Tank” warning LED will light up at the end of each program.

Connecting the water drain hose for models with the water tank on top;

1. Remove the hose from the machine by pulling it out by its end. Do not use any tools to take out the hose. Attach the drain hose adaptor to the end of this hose.
2. Connect the special drain hose supplied with the machine to the hose adaptor fitting.

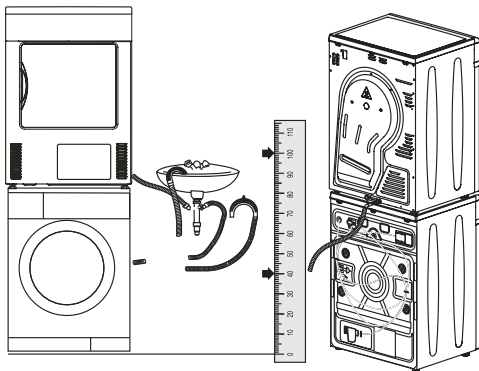
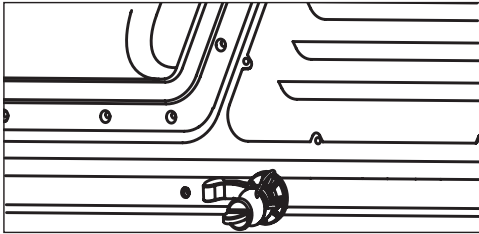
Important:

- The hose should be attached to a height of maximum 80 cm.

Connecting the water drain hose for models with the water tank at the bottom;

Connection pipe to water drain is at the bottom rear of your machine.

1. Remove the bracket and the rubber cap.
2. Attach the drain hose and replace the bracket to its position.



Important:

- ❗ There is no pump in the machine, so ensure that the hose is placed to allow a easy water flow.
- ❗ The end of the hose should never be higher than the level of the water outlet on the machine. Otherwise, the “tank full” LED of your machine will illuminate and stop the program.
- ❗ If the dryer is mounted on the washing machine by means of a bracket, use of the water drain hose is recommended. The drain hose should be directed downwards as shown in the figure.

Electrical connection

Connect the machine to an earthed outlet protected by a fuse of suitable capacity.

Important:

- Connection should comply with national regulations.
- Power cord plug must be within easy reach after installation.
- The voltage and the allowed fuse protection are specified in the section “Technical Specifications”.

- The stated voltage must match with your mains voltage.
- Connection via extension cords or multi-plugs should not be made.
- The main fuse and switches must have a contact distance of minimum 3 mm.

- ⚠ A damaged power cable must be replaced by a qualified electrician.
- ⚠ The appliance must not be operated unless it is repaired! There is the risk of electric shock!

Destroying packaging material

Packaging material can be dangerous to children. Keep the packaging materials out of the reach of children or dispose of them accordingly. Do not dispose of them together with normal domestic waste.

Packaging materials of your machine are manufactured from recyclable materials.

Disposing of the old machine

Dispose of your old appliance in an environmentally friendly manner.

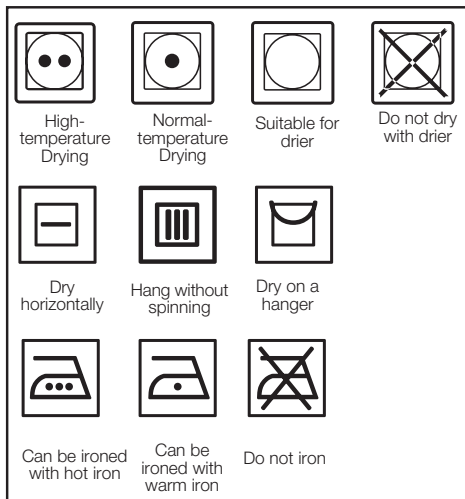
- You may refer to your local agent or solid waste collection center in your municipality to learn how to dispose of your machine.

Before disposing of your old machine, cut off the mains plug and make the door lock unusable.

4 Initial preparations for drying

Garments suitable for drying in the machine

Always follow the advice on the garment labels. With this dryer, dry only the laundry having a label stating that they are suitable for drying in a dryer by selecting the appropriate program.



Garments unsuitable for drying in the machine

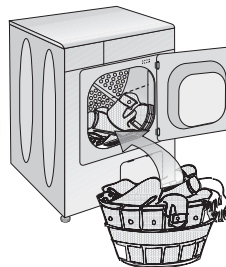
- Laundry items with metal attachments such as, belt buckles and metal buttons can damage your machine.
- Do not dry items such as woolen, silk garments and nylon stockings, delicate embroidered fabrics, garments with metal accessories and items such as sleeping bags in the machine.
- Garments made of delicate and valuable fabrics as well as lace curtains can be creased. Do not dry these in your machine!
- Do not dry items made of hermetic fibers such as pillows and quilts in the drying machine.
- Garments made of foam or rubber may be deformed.
- Do not dry clothes containing rubber in the machine.
- Do not dry clothes exposed to petroleum, oil, combustible or explosive agents in the machine even if they are washed beforehand.

- Overly wet laundry or laundry with dripping water must not be put into the machine.

Preparing clothes to be dried

- All laundry must be spun at the highest possible spin speed your washing machine allows for the textile type.
- Laundry may be tangled after washing. Separate your laundry before placing them into your dryer.
- Sort your laundry according to their types and thicknesses. Dry the same type of laundry together. E.g.: fine kitchen towels and table cloths dry faster than the thick bath towels.

Correct load capacity



- ⚠ Please consider the information in the "Program Selection Table". Always start the program in accordance with the maximum load capacity.
- ❗ Adding laundry to the machine more than the level shown in the figure is not recommended.. Drying performance will degrade when the machine is overloaded. Furthermore, your machine and your clothes might be damaged.
- ❗ Place your garments into the drum loosely so that they will not get tangled..
- ❗ Large pieces (E.g.: bed sheets, quilt covers, large tablecloths) may bunch-up. Stop the machine 1-2 times during drying process to separate bunched-up laundry.

Following weights are given as examples.

Home articles	Approximate weights (gr)
Cotton quit covers (double)	1500
Cotton quit covers (single)	1000
Bed sheets (double)	500
Bed sheets (single)	350
Large tablecloths	700
Small tablecloths	250
Tea napkins	100
Bath towels	700
Hand towels	350
Garments	Approximate weights (gr)
Blouses	150
Cotton shirts	300
Shirt	200
Cotton dresses	500
Dresses	350
Jeans	700
Handkerchiefs	100
T-Shirts	125

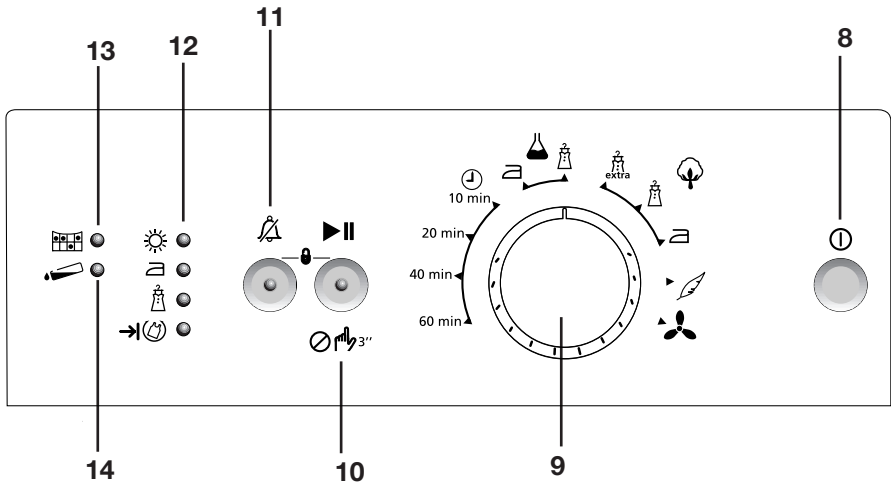
Loading door

- Open the loading door.
- Place laundry items loosely into the machine.
- Push the loading door to close. Ensure that no items are caught in the door.

5 Selecting a Program and Operating Your Machine

Control panel

Figure 2



8. On/Off button

9. Program selection knob

10. Start/Pause/Cancel button

11. Cancel Audio Warning

12. Program follow-up indicator

13. Filter cleaning warning LED

14. Water tank full warning LED *

15. Time Delay Button *

* According to your machine's model

Turning the machine on

Prepare machine for program selection by pressing the "On/Off" button.

i Pressing the "On/Off" button does not necessarily mean that the program has started. Press "Start/Pause/Cancel" button of the machine to start the program.

Program selection

Decide the appropriate program from the table below which includes drying temperature in degrees. Select the desired program with the program selection button.

Extra dry	Dry at high temperature only for cotton laundry. Thick and multi layered laundry (E.g.: towels, linens, jeans) are dried in a way that they do not require ironing before placing in the wardrobe.
Ready to Wear	Normal laundry (E.g.: tablecloths, underwear) are dried in a way that they do not require ironing before placing in the drawers.
Ready to Iron	Normal laundry (E.g., Shirts, dresses) are dried ready to be ironed.

- i** Always select the highest temperature required for drying. High temperature will ensure energy and time saving.
- i** For further program details, see, "Program Selection Table"

Main programs

Depending on the type of textile, the following main programs are available:

•Cottons

You can dry your durable clothes with this program. Dries at a higher temperature. It is recommended to use for your cotton items (such as bed sheets, quilt cover, underclothing, etc.).

•Synthetics

You can dry your less durable clothes with this program. It dries at a lower temperature compared to the cottons program. It is recommended for your synthetic clothes (such as shirts, blouses, synthetic/cotton blended garments, etc.).

- i** Do not dry curtains and lace in your machine.

•Anti-creasing

A 2-hour anti creasing program to prevent laundry from creasing will be activated if you do not take the laundry out after the program has come to an end. This program rotates the laundry in 60-second intervals to prevent creasing.

Special programs

For special cases, there are also extra programs available:

- i** Additional programs may differ according to the model of your machine.

•Delicates

You can dry at a lower temperature your very delicate laundry (silk blouses, fine underwear, etc.) that are suitable for drying or laundry which is advised to be hand-washed.

- i** It is recommended to use a cloth bag to avoid certain delicate garments and laundry from getting creased or damaged. Take your garments immediately out of the dryer and hang them after the program ends in order to prevent them being creased.

•Ventilation

Only ventilation is performed for 10 minutes without blowing hot air. You can air your clothes that have been kept at closed environments for a long time thanks to this program to deodorize unpleasant odors.

•Timer programs





You can select one of the 10 min., 20 min., 40 min., 60 min..... timer programs to achieve the desired final drying level at low temperatures. Program dries at the selected time regardless of the drying level.

Technical Specifications

Models	Condenser Dryer with electronic Sensor control
Height / Height for built-under installation (cm)	85.0 / 82.0
Width (cm)	59.5
Depth / Depth for built-under installation (cm)	54
Height adjustment of feet (cm)	0.5
Length of drain hose (cm)	140
Diameter of drain hose (mm)	10
Highest point of the hose (cm)	80
Weight, unpacked (kg)	36
Voltage	230V ~ 50 Hz
Connected load	2200 W
Fuse protection	16A

Program selection and consumption table

Program table

Programs	Capacity (kg)	Spin speed in washing machine (rpm)	Approximate amount of remaining humidity	Drying time (minutes)
Cottons / Coloreds				
 Ready to Wear	6	1200-1000	% 60	130
		900-800	% 70	150
	3	1200-1000	% 60	80-60
		900-800	% 70	100-80
 Ready to Iron	6	1200-1000	% 60	130-100
		900-800	% 70	130
	3	1200-1000	% 60	80-60
		900-800	% 70	80-60
Synthetics				
 Ready to Wear	3	800	% 40	80-60
		600	% 50	130-100
	1.5	800	% 40	60-30
		600	% 50	60-30
Delicates				
 Ready to Wear	1.5	600	% 50	40
Energy consumption values				
Programs	Capacity (kg)	Spin speed in washing machine (rpm)	Approximate amount of remaining humidity	Energy consumption value kWh
Cottons linen Ready to wear*	6	1000	% 60	3.84
Cottons Ready to iron	6	1000	% 60	3.40
Synthetics&Mixed fabrics Ready to wear	3	600	% 50	2.00

* : Energy Label standard program (EN 61121:2005)

All values given in the table have been fixed according to EN 61121:2005 Standard. These values may deviate from the table according to the laundry type, laundry spin speed, environmental conditions and voltage fluctuations.

Auxiliary function

Cancel Audio Warning

Your machine will send out an audio warning when the program comes to an end. If you do not want to hear this buzzing, you need to press the "Cancel Audio Warning" button. The relevant LED will light up when this button is pressed and an audio warning will not be given when the program comes to an end.

i You can select this function either before or after the program starts.

Warning indicators

i Warning indicators may differ according to the model of your machine.

Filter cleaning

A warning LED will light up to remind filter cleaning after the program finishes.

i If the filter cleaning warning LED lights up continuously, please refer to, "Solution suggestions for problems".

Water tank

A warning LED will light up at the end of the program or when the tank is full with water. The machine stops operating when this warning LED lights up during a program running. To restart the machine, please drain the water in the water tank. Press "Start/Pause/Cancel" button to start the program after you have emptied the water tank. The warning LED goes off and the program resumes operating.

Starting the Program

1. Press "Start/Pause/Cancel" button to start the program.
2. "Start/Pause/Cancel" button will light up to indicate that the program has started.

Progress of program

Progress of a running program is shown through the program follow-up indicator. At the beginning of every program step, the relevant indicator LED will light up and light of the completed step will turn off.

"Drying":

- Drying level will be illuminated during the whole drying process until the drying degree reaches "Ready to Iron".

"Ready to Iron":

- Starts to illuminate when the drying degree reaches "Ready to Iron" step and remains illuminated until the next step.

"Ready to Wear":

- Starts to illuminate when the drying degree

reaches "Ready to wear" step and remains

illuminated until the next step.

"Final / Anti-creasing":

- Illuminates when the program comes to an end and anti-creasing function is activated.

i If more than one LED light up or flash concurrently, it means there is malfunctioning or a failure (please see, Solution suggestions for problems).

Changing the program after the program has started

You can use this feature after your machine has started to dry your clothes under higher or lower temperatures.

For example;

Press and hold the "Start/Pause/Cancel" button for about 3 seconds to "Cancel" the program in order to select "Extra Dry" program instead of "Iron Dry" program.

Select the "Extra Dry" program by rotating the program knob.

Press "Start/Pause/Cancel" button to start the program.

i The program which is selected first will go on even if the program selection button is moved and another program mode is selected while the machine is operating. You must cancel the ongoing program in order to change the drying program. (See, Ending the program through canceling)

Adding/removing laundry in standby mode

In order to add or take out laundry after the start-up of the program;

1. Press the "Start/Pause/Cancel" button to switch the machine to "Pause" mode. Drying process will stop.
2. Open the door at Pause position and close it again after adding or taking out laundry.
3. Press "Start/Pause/Cancel" button to start the program.

i Any laundry added after the drying process was started may cause the already dried clothes in the machine intermingle with wet clothes and the result will be wet laundry after the drying process is over.

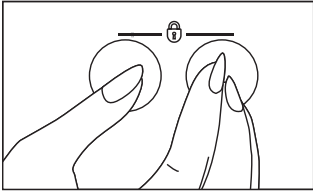
i Laundry may be added or taken out as much as desired during a drying process, but as this process will interrupt drying continuously, it will extend the program duration and increase energy consumption. Therefore, it is recommended to add laundry before the drying program is started.

Child-proof lock

There is a childproof lock to prevent any program

interruption due to the pressing of keys while the program is on. The loading door and all keys except the "On/Off" key on the panel are deactivated when the child-proof lock is active.

In order to activate the childproof lock, press on the "Start/Pause/Cancel" and "Cancel audio warning" buttons simultaneously for 3 seconds.



To start a new program after the program is over or to interrupt the program, the childproof lock should be deactivated. To deactivate the childproof lock, press the same buttons for 3 sec.

i 2 beeps when activating and 1 beep when deactivating the child-proof lock is heard.

Ending the program through canceling

The program which is selected first will keep on going even if the position of the program selection button is changed. A new program can be selected and started after "Program cancel" is activated in order to change the drying program.

To cancel any selected program;

- Press "Start/Pause/Cancel" button for about a duration of 3 seconds. The "Filter cleaning", "Water tank" and "End/ Anti-creasing" warning LEDs will light up at the end of this period for reminding purposes.

! As the inside of the machine will be excessively hot when you cancel the program while the machine is running, activate the ventilation program to cool it down.

! If the machine is stopped during any drying program, and if the position of the program selection knob is changed, an audio signal will be heard (if the "Cancel audio warning" function is not selected).

The machine will not start even if the "Start/Pause/Cancel" button is pressed, unless the program selection knob is returned to the initial program. The paused program must be cancelled in order to change the drying program.

End of program

The "End/Anti-creasing", "Filter cleaning" and "Water tank" warning LEDs on the program follow up indicator will light up when the program comes to an end. The door can be opened and the machine becomes ready for a second cycle. Press the "On/Off" button to shut down the machine.

- i** A 2-hour anti creasing program to prevent laundry from creasing will be activated if you do not take the laundry out after the program has come to an end.
- i** Clean the filter after each drying (please see, Filter cleaning).
- i** Drain the water tank after each drying (please see, Water tank)

6 Quick instructions for daily use

Preparation and starting

1. Press the "On/Off" button.
2. Place the laundry in the machine.
2. Select the program.
3. Close the loading door.
4. Press "Start/Pause/Cancel" button.

Canceling a program

A new program can be selected and started after "Program cancel" is activated in order to change the drying program.

In order to cancel the selected program, press "Start/Pause/Cancel" button for about 3 seconds. The "Filter cleaning", "Water tank" and "End/ Anti-creasing" warning LEDs will light up at the end of this period for reminding purposes.

Adding laundry

In order to add laundry after the start-up of the program:

1. Press "Start/Pause/Cancel" button.
2. Open the loading door and put the laundry in.
3. Close the loading door.
4. Press "Start/Pause/Cancel" button to start the program.

Changing the program after the program has started

You can use this feature after your machine has started to dry your clothes under higher or lower temperatures. Press and hold the "Start/Pause/Cancel" button for about 3 seconds to switch the machine into the "Cancel" status in order to change the program. Change the program and press "Start/Pause/Cancel" button to start it.

After the program is finished

The "End/Anti-creasing" and "Filter cleaning" warning LEDs as well as "Water tank" warning LED in some models on the program follow up indicator will light up when the program comes to an end. The door can be opened and the machine becomes ready for a second cycle.

1. Press the "On/Off" button to shut down the machine.
2. Take out the laundry from the machine.
3. Check if there are any foreign substances in the machine.
4. Clean the filter after drying. Also drain the water tank in models equipped with a condenser.

7 Maintenance and cleaning

Cover filter

Lint and fibres released from the laundry to the air during the drying cycle are collected in the "Cover Filter".

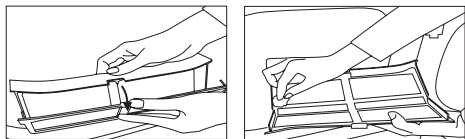
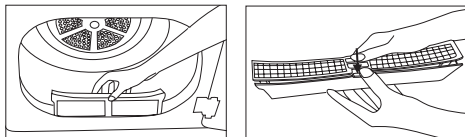
i Such fibre and lint are generally formed during wearing and washing.

i Always clean the filter after each Drying process.

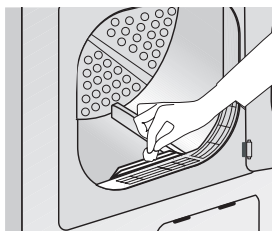
i You can clean the filter and filter area by vacuum cleaner.

For Filter cleaning;

- 1 Take out the cover
- 2 Remove the cover filter by pulling it up and open the filter.
- 3 Clean lint, fibre, and cotton raveling by hand or with a soft piece of cloth.
- 4 Close the filter and place it back into its seat.



Sensor (models equipped with a sensor)



There are humidity sensors in your machine that detect whether the laundry is dry or not.

For sensor cleaning;

- 1 Open the cover of your machine.
 - 2 Allow the machine to cool off if drying has been carried out.
 - 3 Wipe the metal sensors with a soft cloth, dampened with vinegar and dry them.
- i** Clean metal sensors 4 times a year.

⚠ Never use solvents, cleaning agents or substances alike when cleaning as these might cause fire and explosion!

Water tank (Products equipped with a condenser);

The moisture in the damp laundry is taken from the laundry and condensed. Drain the water tank after each drying cycle or during drying when "Water tank" warning LED comes on.

⚠ Condensed water is not drinkable!

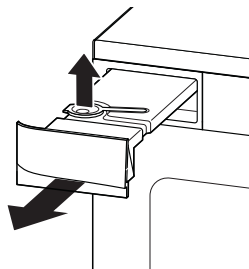
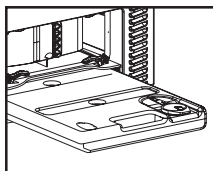
i You can use the water in the water tank in your steam irons or air humidifiers.

⚠ Never take out the water tank when the program is running!

Water tank may be located in two different places as indicated below, depending on the model of your machine.

- Inside the drawer on the panel
- Inside the kick plate cover

If you forget to drain the water tank, your machine will stop during the following drying cycles when the water tank is full and the "Water tank" warning LED will light on. If this is the case, press the "Start/Pause/Cancel" button to resume the drying cycle after draining the water tank.



In order to drain the water tank;

- 1 Carefully remove the water tank by opening the kick plate cover/pulling the drawer.
- 3 Drain the water by opening the water tank cover.
- 4 If there is lint accumulation in the water tank cover, clean it and press to close.
- 5 Place the water tank into its seat.

For the condenser (products equipped with a condenser);

Hot and humid air in the condenser is cooled with the cold air from the room. Thus, the humid air circulating in your machine is condensed and then pumped into the tank.

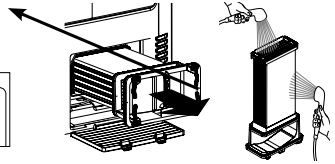
i Clean the condenser after every 20 drying cycles or once a month.

To clean the condenser;

- 1 If a drying process has been carried out, open the door of the machine and wait until it cools down.
- 2 Unlock the 4 condenser locks after opening the kick plate.
- 3 Pull out the condenser.
- 4 Clean the condenser with pressurized water and wait until the water drains.

- 5 Replace the condenser with the side labeled "Top" facing upwards. Lock the 4 condenser locks. Make sure that the red lock on the upper right corner is engaged securely.
- 6 Close the kick plate cover.

Ciérrelos y compruebe los pestillos de bloqueo.



This appliance's packaging material is recyclable. Help recycle it and protect the environment by dropping it off in the municipal receptacles provided for this purpose. Your appliance also contains a great amount of recyclable material. It is marked with this label to indicate the used appliances that should not be mixed with other waste. This way, the appliance recycling organised by your manufacturer will be done under the best possible conditions, in compliance with European Directive 2002/96/EC on Waste Electrical and Electronic Equipment. Contact your town hall or your retailer for the used appliance collection points closest to your home. We thank you doing your part to protect the environment.

8 Solution suggestions for problems

Problem	Cause	Explanation / Suggestion
Drying process takes too much time.	Cover filter and filter drawer might have not been cleaned.	* Clean the cover filter and Filter drawer.
Laundry come out wet at the end of drying.	* Cover filter and filter drawer might have not been cleaned. * Excessive laundry might have been loaded in.	* Clean the cover filter and Filter drawer. * Do not overload the machine.
Machine does not switch on or the program does not start. Machine is not activated when set.	* It might have not been plugged in. * The loading door may be ajar. * Program might have not been set or the "Start/Pause/Cancel" button might have not been pressed. * "Childproof lock" might have been activated. * The condenser cover on the models with a condenser might not be closed securely.	* Make sure that the machine is plugged in. * Make sure that the loading door is properly closed. * Make sure that the program has been set and it is not in "Pause" mode. * Deactivate the childproof lock. * Make sure that the condenser cover and the red lock is closed securely.
Program has been interrupted without any cause.	* The loading door may be ajar. * Electricity may be cut off.	* Make sure that the loading door is properly closed. * Press "Start/Pause/Cancel" button to start the program.
Laundry has shrunk, become felted or deteriorated.	* A program suitable for the laundry type might have not been used.	* Dry only the laundry which is suitable for drying in your machine after checking the labels on your clothes. * Select a program with suitable low temperature for the laundry type to dry your clothes.
Drum lightning does not come on. (for models equipped with a lamp)	* The machine might have not been started by using the On/Off button. * Bulb may have blown.	* Make sure that the machine is On. * Call the authorized service to replace the bulb.
"Final / Anti-creasing" LED flashes.	* The 2-hour anti creasing program to prevent laundry from creasing might have been activated.	* Turn off the machine and take out the laundry.
"Final / Anti-creasing" LED is on.	* Program has come to an end.	* Turn off the machine and take out the laundry.
The "Drying" LED flashes.	* A heat sensor failure has occurred. Machine ends the program without heating.	* Turn off the machine and take out the laundry. Call your authorized service.
Also for products equipped with a condenser		
"Water tank" warning LED is on.	* Water may be full. * Anti-creasing program might be running.	* Drain the water in the water tank.
"Filter cleaning" LED is on.	* Filter might have not been cleaned.	* Clean the cover filter.
"Condenser cleaning" LED is on.	* Filter drawer/Condenser might have not been cleaned.	* Clean the filters in the condenser/filter drawer under the kick plate.

 Call an authorized service if the problem persists.

Service Centres

If you have followed the instructions and still have a problem, contact the nearest Defy Service Centre. They will be able to advise you on any aspect of the product or send a qualified technician to repair it.

BLOEMFONTEIN 160 Long Street, Hilton,
Bloemfontein 9301.
Tel. 051 400 3900
Bloemfontein.Service@defy.co.za

CAPE TOWN 5A Marconi Rd.
Montague Gardens, 7441.
Tel. 021 526 3000
CapeTown.Service@defy.co.za

DURBAN 35 Intersite Avenue,
Umgeni Business Park, Durban 4051.
Tel. 031 268 3300
Durban.Service@defy.co.za

EAST LONDON 16 Bowls Rd. Arcadia,
East London 5201.
Tel. 043 743 7100
EastLondon.Service@defy.co.za

JOHANNESBURG Cnr. Mimetes & Kruger Sts. Denver ext.12
Commercial Head Office,
Administration, Distribution, National Groups,
Tel. Sales, Contracts and Credit.
Tel. 011 621 0200 or 011 621 0300
Gauteng.Service@defy.co.za

POLOKWANE 87 Nelson Mandela Drive.
Superbia 0699.
Tel. 0152 92 1166 / 7 / 8 / 9.
Polokwane.Service@defy.co.za

PORT ELIZABETH 112 Patterson Road,
North End, Port Elizabeth 6001.
Tel. 041 401 6400
PortElizabeth.Service@defy.co.za

PRETORIA. Block A1 Old Mutual Industrial Park.
Cnr. D.F.Malan Drive & Moot Str.
Hermanstad. 0082.
Tel. 012 377 0061
Pretoria.Service@defy.co.za

**OTHER AREAS ARE SERVICED BY OVER 200 AUTHORISED SERVICE AGENTS.
PLEASE CONSULT THE NEAREST REGIONAL DEFY SERVICE CENTRE FOR DETAILS.**

Warranty.

This certificate is issued by DEFY APPLIANCES (PTY) LIMITED, manufacturers and distributors of Defy, Ocean and Franke products, hereinafter the Company, to the original purchaser only, of the appliance described on the certificate and shall constitute the only warranty given in respect of this appliance.

The Company warrants to the original purchaser that for a period of TWO YEARS from date of purchase the appliance is free from defect under normal domestic use, both in workmanship and material, subject to the following conditions.

1. Repair or replacement of any part of this appliance, found by the Company to be defective, shall be at the election of the Company. The Company reserves the right to effect such service through any of its Service Divisions or Authorised Service Dealers. The cost of such service shall be borne by the Company in full, provided that the appliance is located no further than 50 km from a Company Service Centre or an Authorised Service Dealer. Where the appliance is located beyond the 50 km radius, the purchaser shall be liable for the standard travelling charges, as determined by the Company.

CARRY IN SERVICE Microwave ovens, Compact cookers and small appliances are repaired in our service centres and are not collected from the customers home. Faulty units should be delivered to the purchasing dealer or to the nearest Company Service Centre for warranty repairs.

2. Rusted or corroded plates, vitreous enamelware, fuses and lamps are specifically excluded from these warranties. It is an express condition of these warranties that the purchaser takes due care and attention in the use and maintenance of the appliance. Abuse, misuse in conflict with operating instructions, connection to incorrect voltages and subjection to commercial use shall release the Company from its obligations.

3. This warranty shall become void and cease to operate if the appliance is dismantled by, or any repairs to the appliance are effected by any persons not duly authorised by the Company, or if substitute parts not approved by the Company are used in the appliance, or if the serial number of the appliance is removed.

4. The Company shall not be responsible for damages resulting from fire, flood, civil disturbances or any Act of God. The Company shall not, in terms of these warranties be responsible nor held liable for any consequential loss or damage of any kind caused by or due to the failure or malfunction of the appliance.

5. The Company shall not be responsible for transportation or other costs other than those incurred within the provisions of Point 1 of this Certificate.

6. These warranties shall not apply to the appliance if it is purchased or used beyond the borders of the Republic of South Africa, Namibia, Botswana, Swaziland and Lesotho.

7. Where service is requested under warranty and no fault or defect can be found by the Company, all costs incurred will be for the purchaser's account.

8. This Certificate as well as your invoice will serve as proof of purchase. For the purpose of warranty, it will be essential to produce this Certificate and invoice. Failure to do so, will render the purchaser liable for service costs.

KEEP THIS CERTIFICATE AND SALES INVOICE AS PROOF OF PURCHASE FOR WARRANTY PURPOSES.