

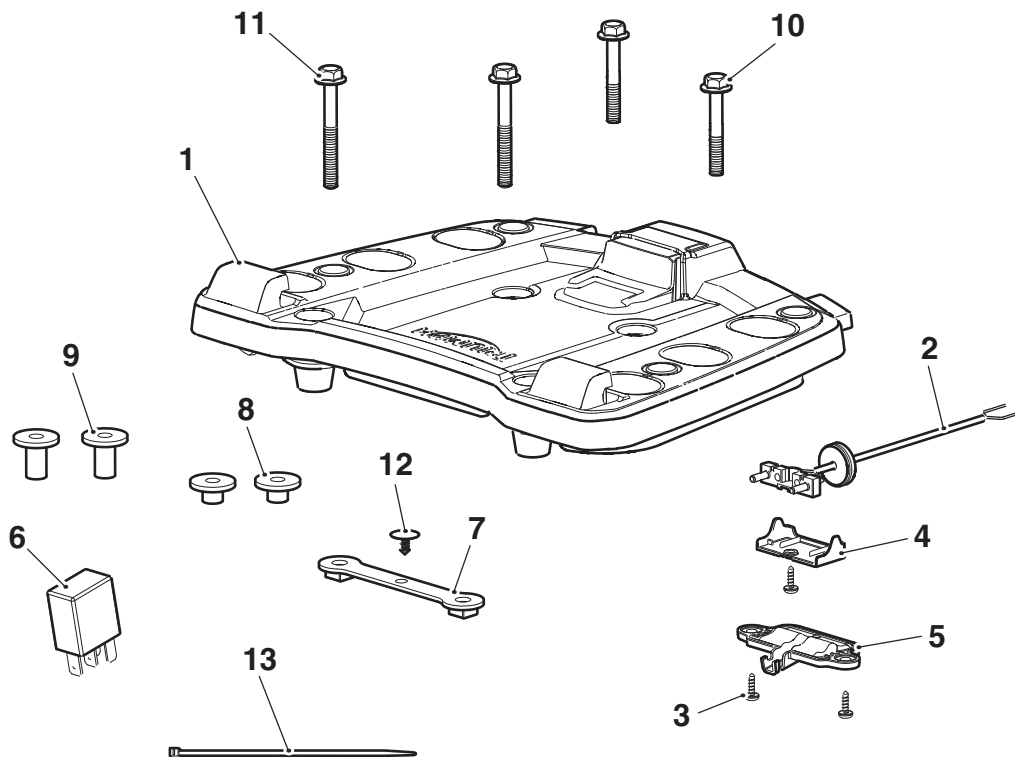
Fitting Instructions: Trophy and Trophy SE A9508161 and A9508156

Thank you for choosing this Triumph genuine accessory kit. This accessory kit is the product of Triumph's use of proven engineering, exhaustive testing, and continuous striving for superior reliability, safety and performance.

Completely read all of these instructions before commencing the installation of the accessory kit in order to become thoroughly familiar with the kit's features and the installation process.

These instructions should be considered a permanent part of your accessory kit, and should remain with it even if your accessory-equipped motorcycle is subsequently sold.

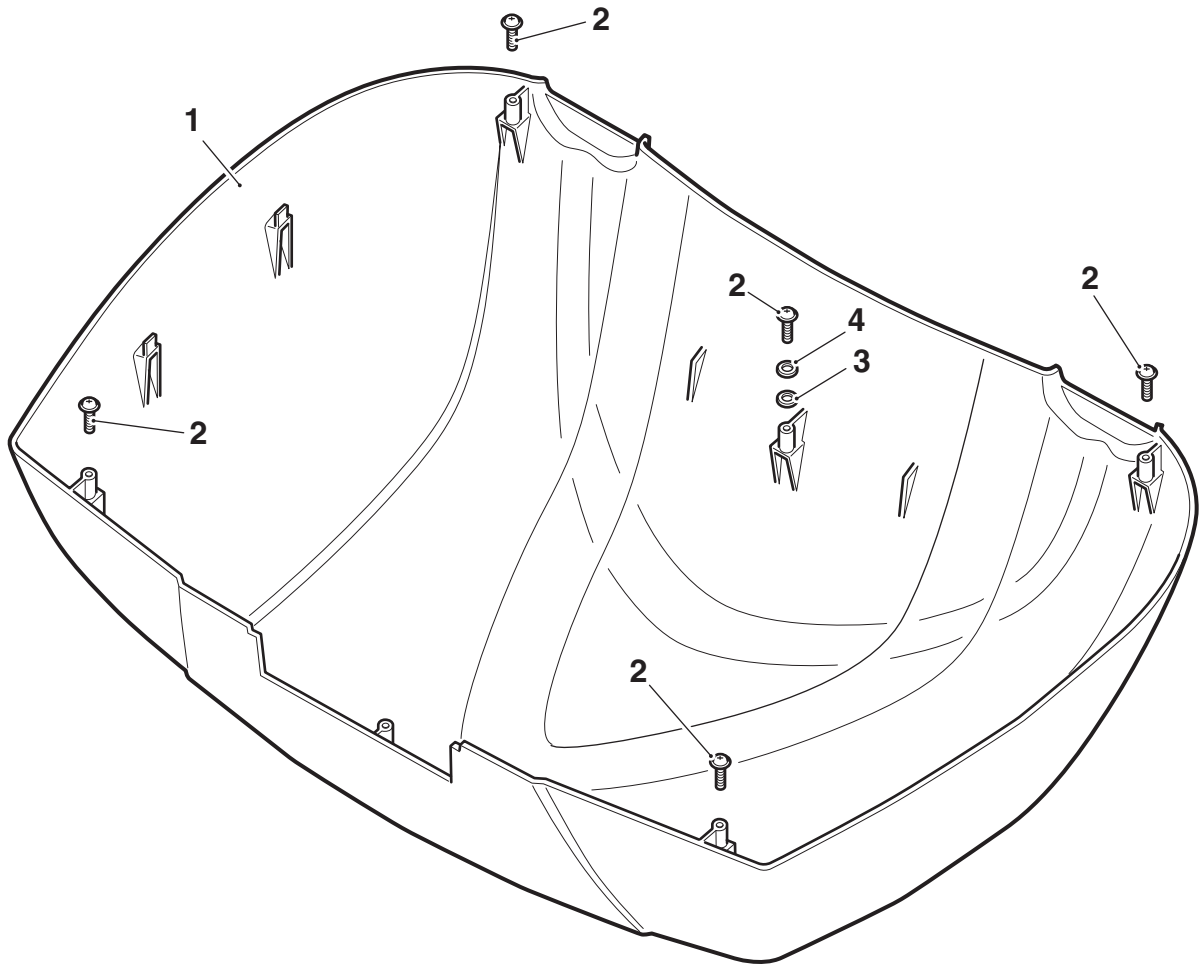
A9508161



Parts Supplied:

1.	Sliding carriage assembly	1 off	8.	Flanged sleeve - short	2 off
2.	Sub-harness (top box)	1 off	9.	Flanged sleeve - long	2 off
3.	Self-tapping screw	3 off	10.	Bolt, M8 x 43 mm	2 off
4.	Harness retainer	1 off	11.	Bolt, M8 x 65 mm	2 off
5.	Harness cover	1 off	12.	Fir-tree clip	1 off
6.	Relay	1 off	13.	Cable tie	1 off
7.	Clamp plate	1 off			

A9508156



T0993

Parts Supplied:

1. Lid cover	1 off	3. Washer, rubber	1 off
2. Screw, M4 x 18 mm	5 off	4. Washer	1 off

Warning

This accessory kit is designed for use on Triumph Trophy and Trophy SE motorcycles only and should not be fitted to any other Triumph model or any other manufacturer's motorcycle. Fitting this accessory kit to any other Triumph model or any other manufacturer's motorcycle, will affect the performance, stability and handling of the motorcycle. This may affect the rider's ability to control the motorcycle and could cause an accident.

Warning

Always have Triumph approved parts, accessories and conversions fitted by a trained technician of an authorised Triumph dealer. The fitment of parts, accessories and conversions by a technician who is not of an authorised Triumph dealer may affect the handling, stability or other aspects of the motorcycle's operation which may result in loss of motorcycle control and an accident.

Warning

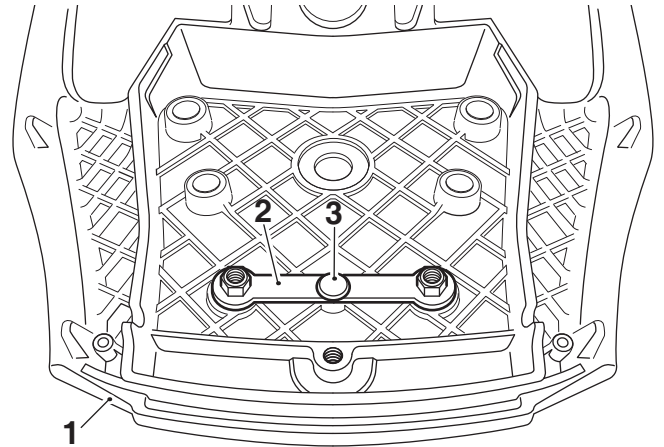
Throughout this operation, ensure that the motorcycle is stabilised and adequately supported to prevent risk of injury from the motorcycle falling.

Warning

A torque wrench of known accurate calibration must be used when fitting this accessory kit. Failure to tighten any of the fasteners to the correct torque specification may result in loss of motorcycle control and an accident.

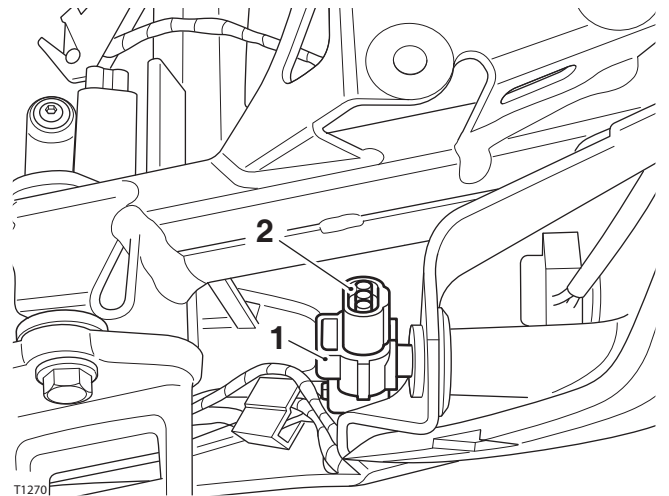
1. Disconnect the battery, as described in the service manual.
2. Remove the luggage rack cover, as described in the service manual.
3. Remove the luggage rack, as described in the service manual.
4. Remove the left hand rear panel, as described in the service manual.
5. Remove the right hand side panel, as described in the service manual.
6. Turn the luggage rack over and place on a suitable non-abrasive surface.

7. Locate the clamp plate in position on the underside of the luggage rack, as shown and retain with the fir-tree clip provided.



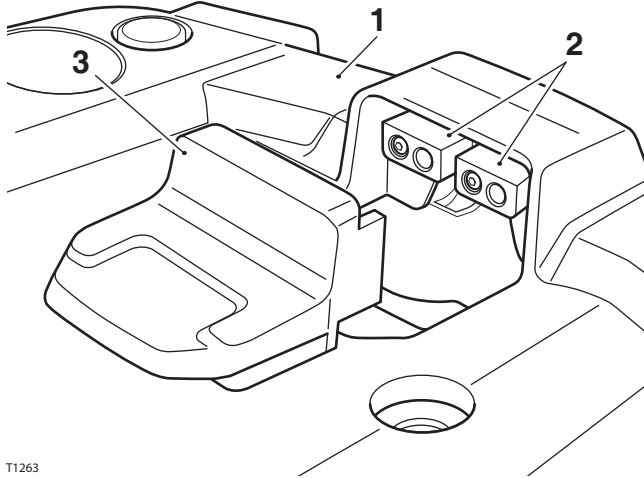
1. Luggage rack
2. Clamp plate
3. Fir-tree clip

8. Locate the top box power connector which is situated at the rear, left hand side, of the motorcycle under the left hand rear panel.
9. Remove the blanking plug from the top box power connector. Retain the blanking plug if the motorcycle is returned to its original condition



1. Top box power connector
2. Blanking plug

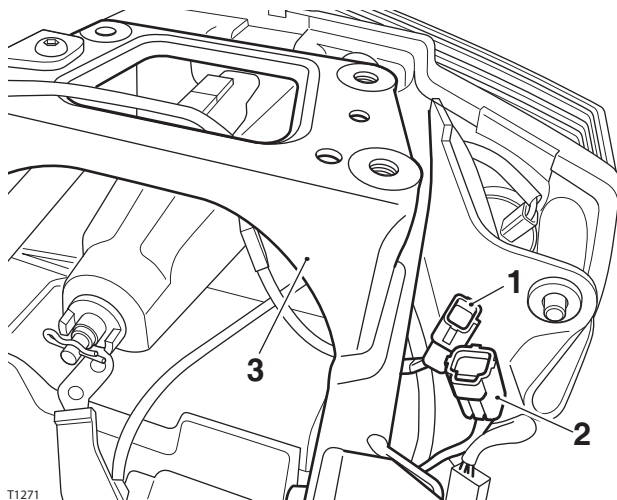
10. Remove the blanking plug from the sliding carriage assembly to expose the top box connector block. Retain the blanking plug for reuse when a top box is not fitted for extended periods.



T1263

1. Sliding carriage assembly
2. Top box connector block
3. Blanking plug

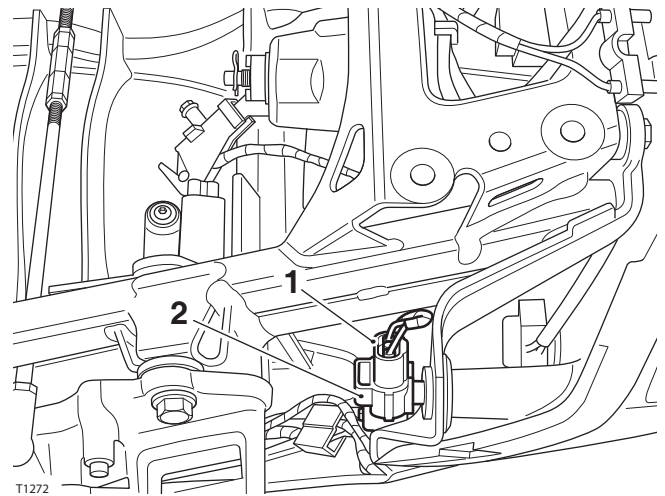
11. Feed the sub-harness, female connector end, through the subframe towards the top box power connector.



T1271

1. Sub-harness, female connector
2. Top box power connector
3. Motorcycle subframe

12. Connect the sub-harness to the top box power connector.



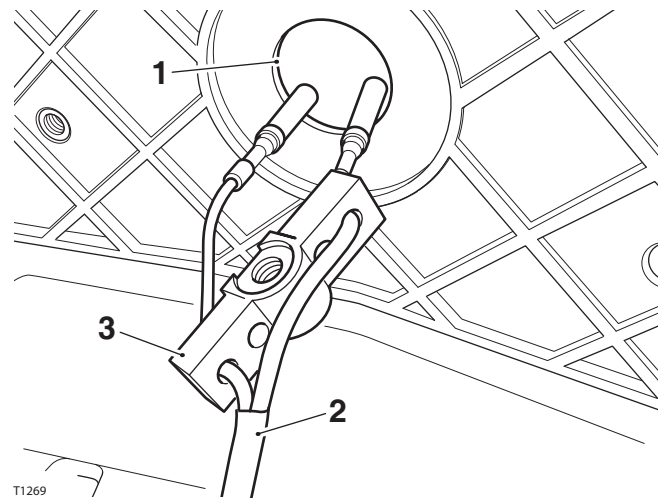
T1272

1. Sub-harness
2. Top box power connector

Note:

- Before the sub-harness can be routed through the luggage rack, the terminals must carefully be pushed out of the sub-harness terminal block. This will allow the terminal block to be rotated and pass through the access hole in the luggage rack.

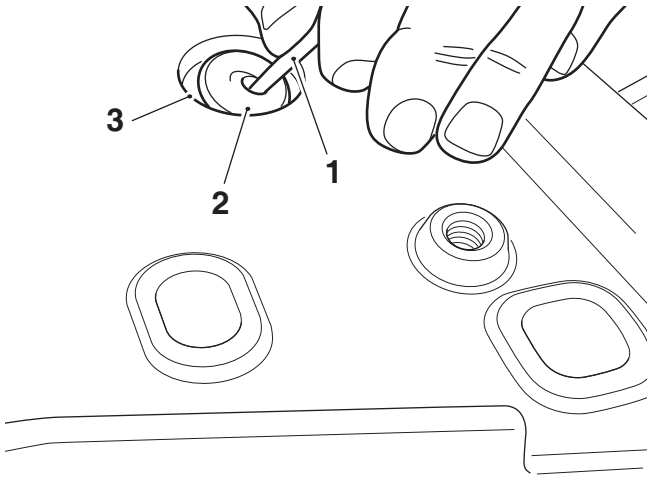
13. Pass the sub-harness through the access hole, from the underside of the luggage rack.



T1269

1. Luggage rack
2. Sub-harness
3. Sub-harness terminal block

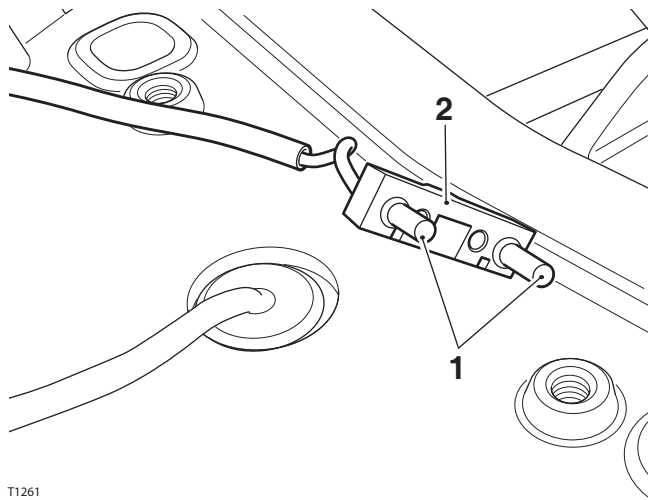
14. Pull the sub-harness through the top of the luggage rack and fit the sub-harness grommet to the access hole in the luggage rack.



T1260

- 1. Sub-harness
- 2. Grommet
- 3. Access hole - luggage rack

15. Refit the terminals into the sub-harness terminal block.

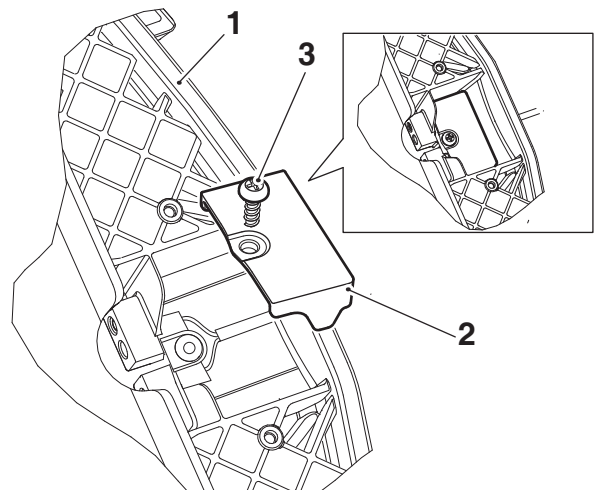


T1261

- 1. Terminals
- 2. Sub-harness terminal block

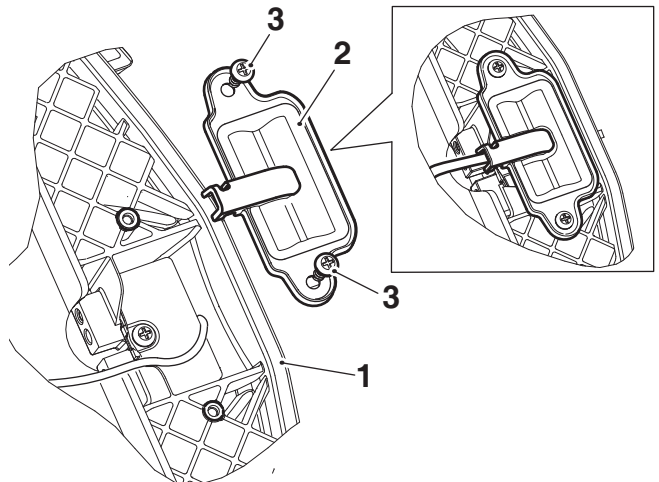
16. Refit the luggage rack, as described in the service manual.
17. Connect the sub-harness terminal block to the rear of the sliding carriage terminal block.

18. Fit the sub-harness retainer to the sliding carriage and retain with a self-tapping screw. Tighten the screw to **1.5 Nm**.



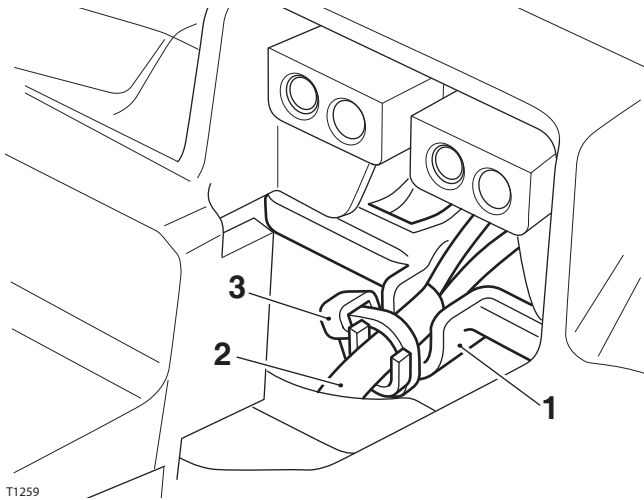
- 1. Sliding carriage
- 2. Sub-harness retainer
- 3. Self-tapping screw

19. Fit the sub-harness cover and retain with two self-tapping screws. Tighten the screws to **1.5 Nm**.



- 1. Sliding carriage
- 2. Sub-harness cover
- 3. Self-tapping screw

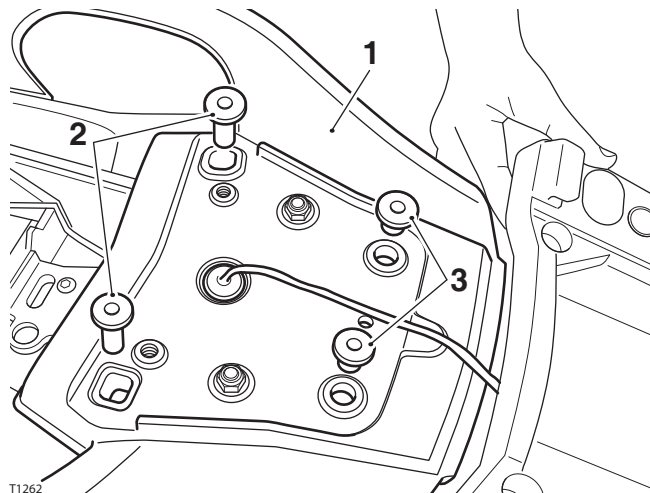
20. Secure the sub-harness to the sub-harness cover with a cable tie, as shown below. Trim off any excess cable tie material.



T1259

1. Sub-harness cover
2. Sub-harness
3. Cable tie

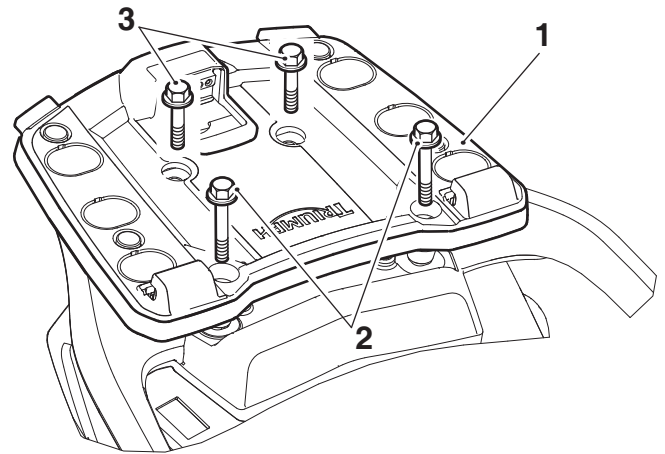
21. Fit the flanged sleeves into the luggage rack, with the longer sleeves positioned to the front.



T1262

1. Luggage rack
2. Flanged sleeve - long
3. Flanged sleeve - short

22. Fit the two M8 x 65 mm bolts to the front sliding carriage fixing positions and the two M8 x 43 mm bolts to the rear sliding carriage fixing positions.



1. Sliding carriage
2. M8 x 65 mm bolt (front fixings)
3. M8 x 43 mm bolt (rear fixings)

23. Locate the sliding carriage assembly on to the luggage rack, aligning the four fixings with the flanged sleeves in the luggage rack.

24. Tighten the four fixings to **27 Nm**.

Warning

The sliding carriage must be allowed to move from side to side on the slide plate. If the sliding carriage is not free to move from side to side when the top box is fitted, the stability and handling characteristics of the motorcycle may be affected, leading to loss of control and an accident.

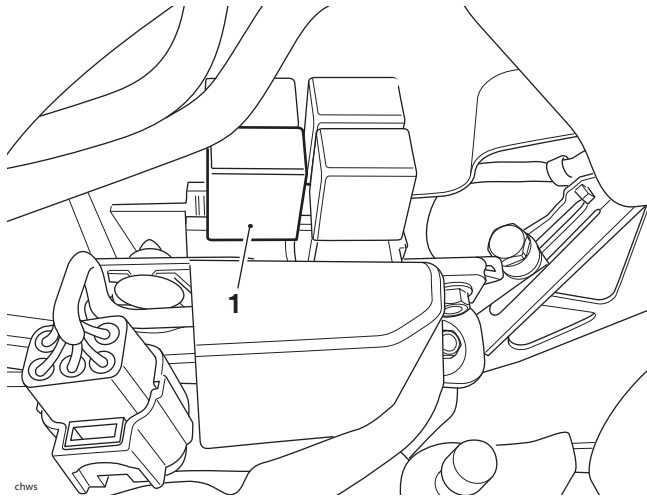
Warning

The top box sliding carriage is intended for fitment of the Triumph Genuine Accessory top box only. If a load is added to the top box sliding carriage, the load must:

- be applied and secured as stated previously for luggage rack loading in the owner's handbook;
- not exceed the 10 kg total payload as stated previously;
- not restrict the sliding carriage mechanism.

Do not restrict the sliding carriage mechanism as motorcycle stability will be affected. Riding the motorcycle with the sliding mechanism restricted may cause the motorcycle to become unstable leading to loss of motorcycle control and an accident.

25. Fit the relay provided into the spare socket at the main harness relay block.



chws

1. Relay

26. Refit the left hand rear panel, as described in the service manual.
27. Refit the right hand side panel, as described in the service manual.
28. Reconnect the battery, as described in the service manual.
29. Fit a top box on to the sliding carriage, ensuring the electrical connection is made.
30. Connect a suitable 12 volt component to the auxiliary power socket in the top box to confirm an electrical feed is present.

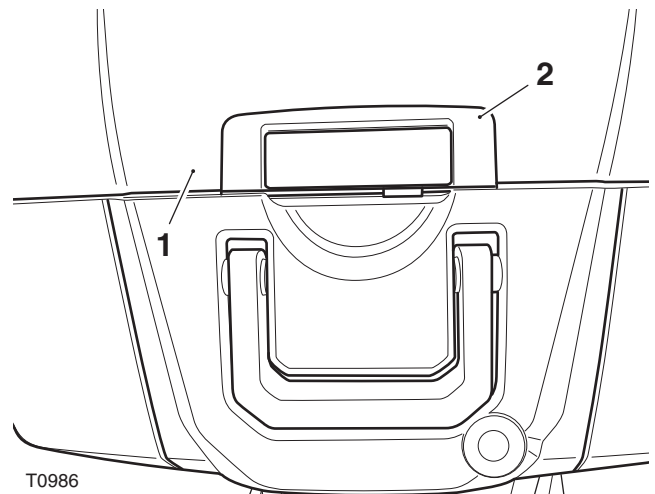
Top Box - Lid Cover A9508156



Caution

Care must be taken when working on the top box. Damage to the top box surfaces may result from inadequate care while fitting the painted panel.

1. Lay the top box on a flat, clean and soft surface.
2. Retrieve the painted panel from the kit. Fit the panel to the lid ensuring that it fits inside the latch plate surround.



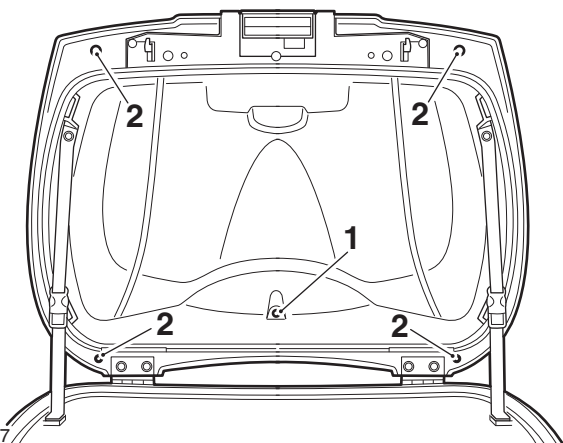
T0986

1. Painted panel

2. Latch plate surround

3. Retrieve the five self-tapping screws, one metal washer and one rubber washer from the kit. Fit the metal washer to one of the screws then fit the rubber washer to the same screw.
4. Carefully open the top box lid, ensuring that the painted cover remains tight to the lid and will rest on the clean soft surface when fully open.

5. Fit the self-tapping screws to the locations indicated below and tighten to **1.5 Nm**.



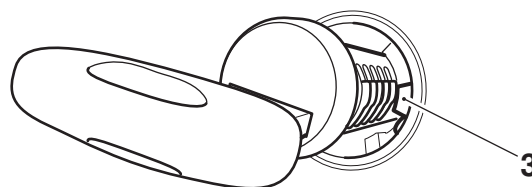
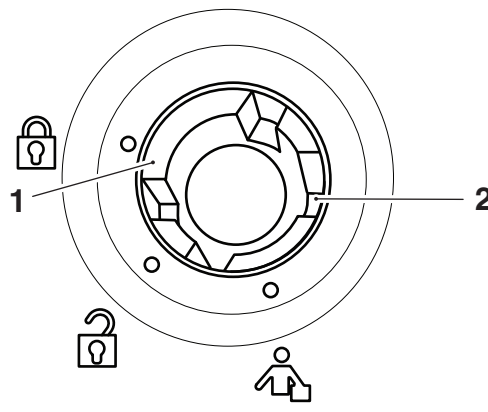
- 1. Screw with washers**
2. Screws without washers

Fitting the Lock Barrel to Top Box

1. Fit the ignition key into the lock barrel lock supplied with the motorcycle when new.

Note:

- **The lock barrel will only fit one way.**
2. Align the locking device on the lock barrel to the slot in the lock housing in the top box, as indicated in the illustration below.

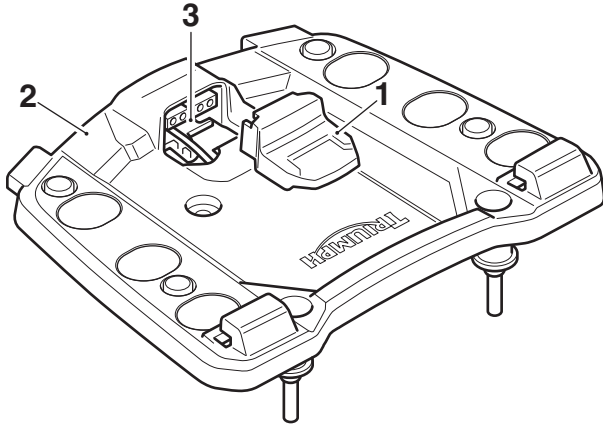


- 1. Slot**
- 2. Housing**
- 3. Locking device**

3. Push the barrel into position in the top box until it clicks into place.
4. Check the operation of the barrel.

Mounting the Top Box

1. Remove the blanking plug covering the electrical connectors on the sliding carriage.

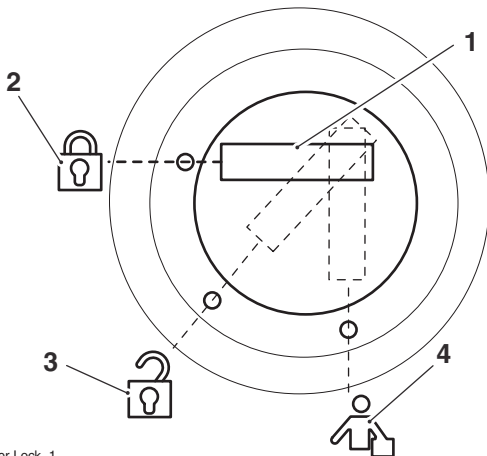


T0991

1. Blanking plug
2. Sliding carriage
3. Electrical connectors

Note:

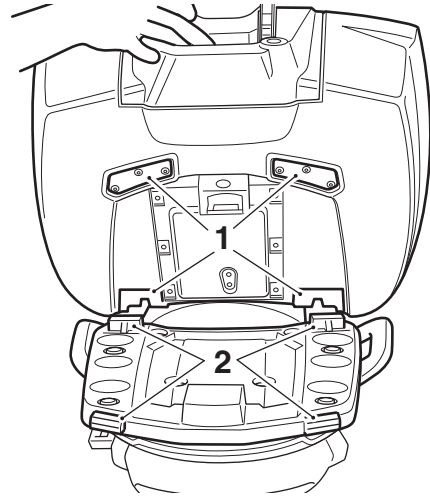
- **To lock, open or release the top box, the key slot must align with the corresponding symbols around the barrel as shown.**
2. Insert the key into the lock. Turn the key to the RELEASE position and lift the carrying handle to its fully raised position.



Pannier Lock_1

1. Key slot (shown in LOCK position)
2. Lock position symbol
3. Unlock position symbol
4. Release position symbol

3. Position the top box such that the mounting slots on the bottom of the top box locate with the mounting hooks on the sliding carriage.

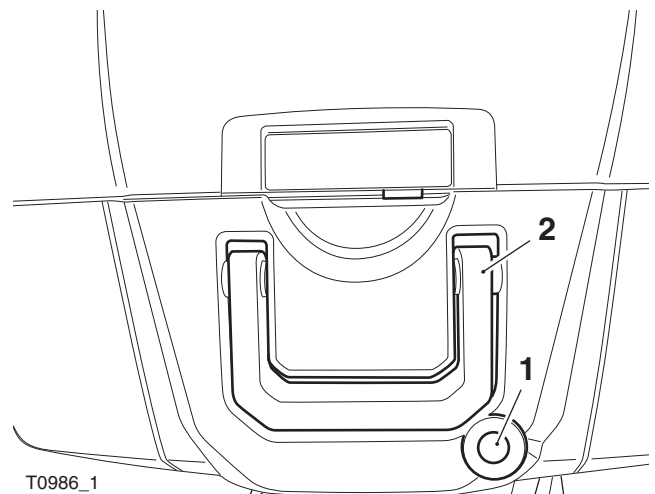


T0985

1. Mounting slots
2. Mounting hooks

4. Lower the top box until it sits flat on the sliding carriage then push forwards to fully engage its mountings.
5. Lock the top box to the sliding carriage by turning the key to the RELEASE position, put the carrying handle to the fully closed position then turn the key to the LOCK position. An audible click can be heard when the carrying handle is put into the fully closed position and the top box is correctly latched to the sliding carriage.

If an audible click cannot be heard when the carrying handle is put into the fully closed position, the top box may not be correctly latched to the sliding carriage.



T0986_1

1. Lock
2. Carrying handle in the fully closed position

Warning

To prevent detachment of the top box while riding, after fitting always grasp the top box and pull firmly upwards and to the rear. If the top box is not correctly secured, it will detach from the sliding carriage. A loose or detached top box could cause loss of motorcycle control and an accident.

Note:

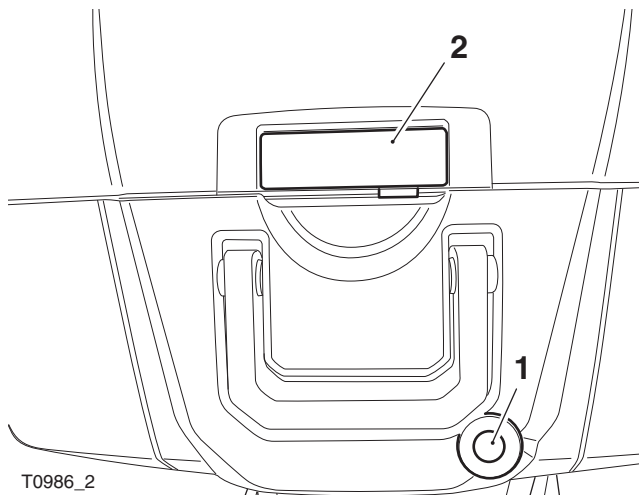
- **It is recommended to have the top box in the locked condition while riding the motorcycle.**
6. Check that the top box is securely locked to the sliding carriage.

Removing the Top Box

1. Insert the key and turn it to the RELEASE position.
2. Lift the carrying handle to the fully raised position, pull the top box rearwards and remove it from the sliding carriage.

Top Box Operation

1. To unlock the lid of the top box, insert the key. Turn the key to the UNLOCK position, then operate the lid latch handle and lift to open the lid.



1. Lock

2. Lid latch handle

2. To lock the lid of the top box, fully close the lid, turn the key to the LOCK position and remove the key.

Auxiliary Power Socket

Trophy

Fuse number 5 (10 A) in the front fusebox, protects the following components if fitted:

- Auxiliary power socket in the top box.
- Auxiliary power socket (rear).
- Heated grips.

Trophy SE

Fuse number 6 (15 A) in the rear fusebox, protects the following components if fitted:

- Auxiliary power socket in the top box.
- Auxiliary power socket (rear).
- Heated grips.

Note:

- **Power is only supplied to the auxiliary power socket when the ignition switch is turned to the ON position.**

Warning

The maximum safe load for the top box, when fitted to the Triumph Trophy and Trophy SE, is 10 kg (22 lbs). Never exceed this loading limit as this may cause the motorcycle to become unstable, leading to loss of control and an accident.

Warning

Always ensure that any load carried in the top box is correctly secured such that it will not move around while the motorcycle is in motion.

Never exceed the maximum vehicle loading weight which is described in the owner's handbook.

Incorrect loading may result in an unsafe riding condition, which could lead to loss of motorcycle control and an accident.



Warning

To maintain the handling characteristics of the motorcycle when riding with luggage or with a passenger and luggage, refer to the owner's handbook for the correct suspension settings.

Incorrect suspension settings could significantly change the handling characteristics of the motorcycle, leading to loss of motorcycle control and an accident.



Warning

After fitting the accessory kit the motorcycle will exhibit new handling characteristics. Operate the motorcycle in a safe area free from traffic to gain familiarity with any new characteristics. Operation of the motorcycle when not familiar with any new handling characteristics may result in loss of motorcycle control and an accident.



Warning

If, after fitment of this accessory kit, you have any doubt about the performance of any aspect of the motorcycle, contact an authorised Triumph dealer and do not ride the motorcycle until the authorised dealer has declared it fit for use. Riding a motorcycle when there is any doubt as to any aspect of the performance of the motorcycle may result in loss of control of the motorcycle leading to an accident.



Warning

Never ride an accessory equipped motorcycle at speeds above 80 mph (130 km/h). The presence of accessories will cause changes in the stability and handling of the motorcycle. Failure to allow for changes in motorcycle stability may lead to loss of control or an accident. Remember that the 80 mph (130 km/h) limit will be reduced by the fitting of non-approved accessories, incorrect loading, worn tyres, overall motorcycle condition and poor road or weather conditions.



Warning

The motorcycle must not be operated above the legal road speed limit except in closed course conditions.



Warning

Only operate this Triumph motorcycle at high speed in closed course, on-road competitions or on closed course race tracks. High speed operation should only be attempted by riders who have been instructed in the techniques necessary for high speed riding and are familiar with the motorcycle's characteristics in all conditions. High speed operation in any other circumstances is dangerous and will lead to loss of motorcycle control and an accident.