

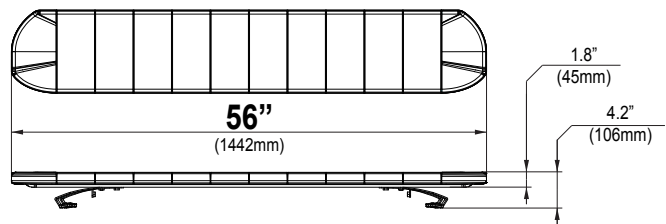
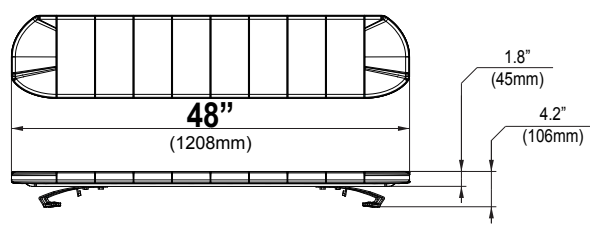
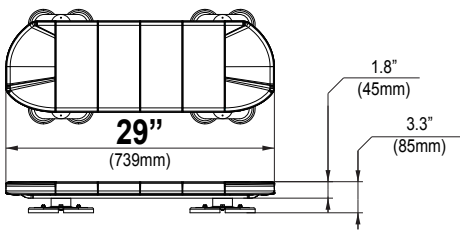
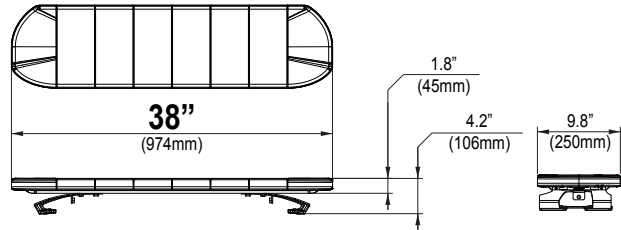
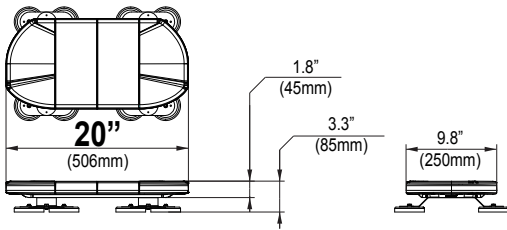
911 SIGNAL[®]



SKYLITE AIR

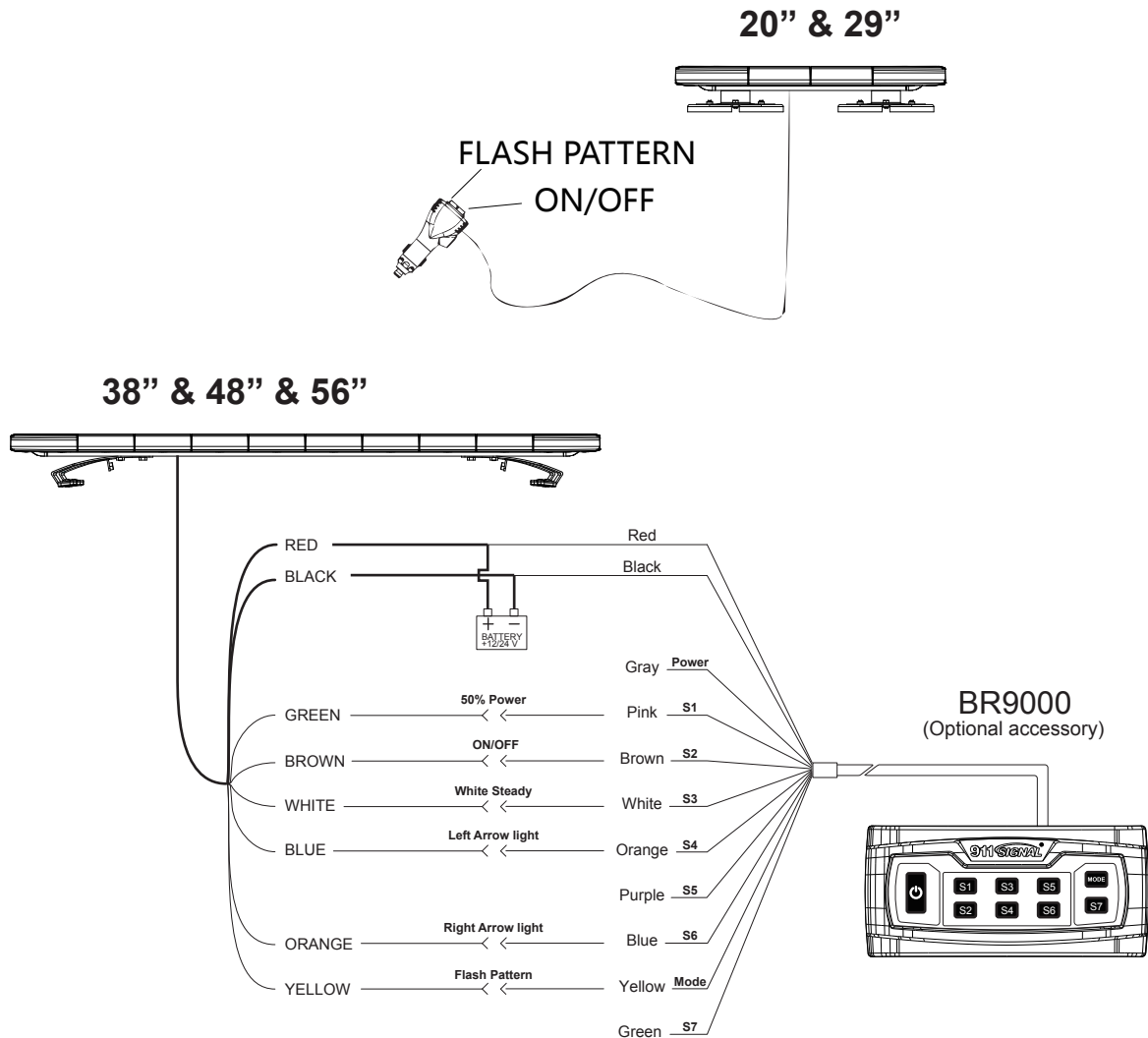
**INSTALLATION, MAINTENANCE
&
SERVICE MANUAL**

Product Specifications



Item	Model	Voltage	Modules			Flash Patterns	Mount	Wire	Operating Temp
			Amount	Lighting Option	LED				
011801	Skyair20	10-30V DC	10	High-brightness LED (all heads)	3W	25	Magnet (Default)	3M Length with A13-163 cigarette lighter	-30~70 C
011810	Skyair29		14			29			
011820	Skyair38		18						
011830	Skyair48		22	Reflector Style		Gutter Roof Rail Roof One Point Direct/Bolt (Optional)	5M Length 8 core wire		
011840	Skyair56		26						

Wiring



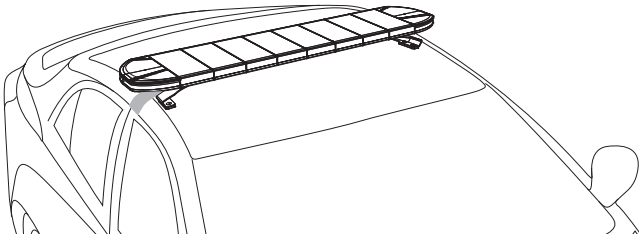
Flash Patterns

- | | |
|----------------------------------|-----------------------------|
| 1. Random (default) | 16. 75PCM Quint (Split) |
| 2. 125PCM ECE R65 (ALL) | 17. Single-Quad (Split) |
| 3. 125PCM ECE R65 Double | 18. 75PCM Single (I/O) |
| 4. 125PCM ECE R65 single (ALL) | 19. 75PCM Double (I/O) |
| 5. 125PCM ECE R65 Double (ALL) | 20. 75PCM Quad (I/O) |
| 6. 125PCM ECE R65 single (Split) | 21. 75PCM Quint (I/O) |
| 7. 125PCM ECE R65 Double (Split) | 22. 75PCM Single (Split1) |
| 8. 75PCM Single (ALL) | 23. 75PCM Double (Split1) |
| 9. 75PCM Double (ALL) | 24. 75PCM Quad (Split1) |
| 10. 75PCM Quad (ALL) | 25. 75PCM Quint (Split1) |
| 11. 75PCM Quint (ALL) | * 26. 75PCM Single (Split2) |
| 12. Single-Quad (ALL) | * 27. 75PCM Double (Split2) |
| 13. 75PCM Single (Split) | * 28. 75PCM Quad (Split2) |
| 14. 75PCM Double (Split) | * 29. 75PCM Quint (Split2) |
| 15. 75PCM Quad (Split) | |

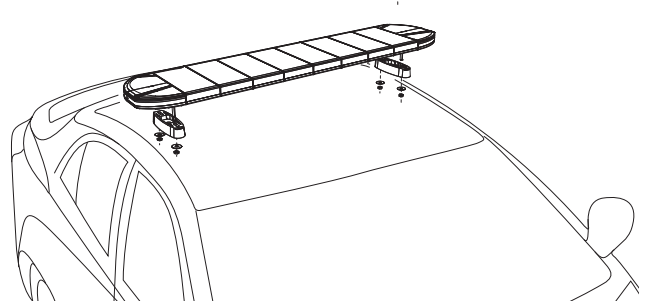
* These four flash patterns not included with the 10-module configuration.
 • Flash Patterns Reset: Press and hold MODE switch more than 5 seconds, Alley light will Steady on.

Mounting

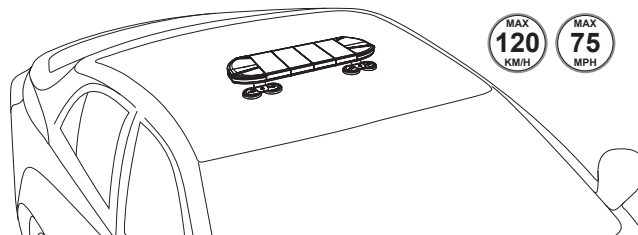
a. Gutter Mount



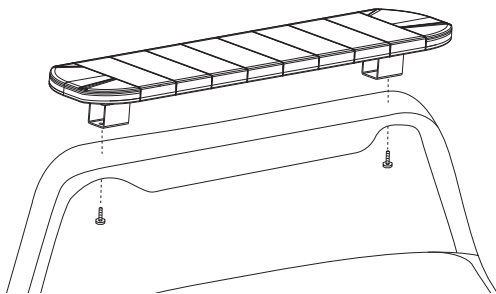
b. Direct/Bolt Mount



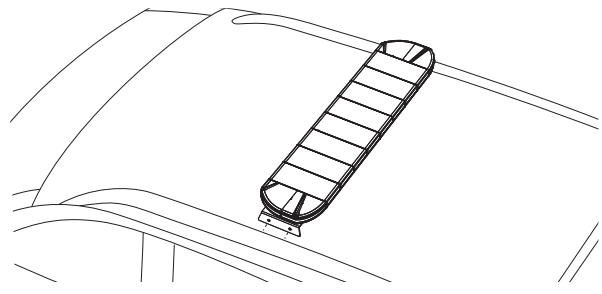
c. Magnetic Mount



d. Roof One-Point Mount

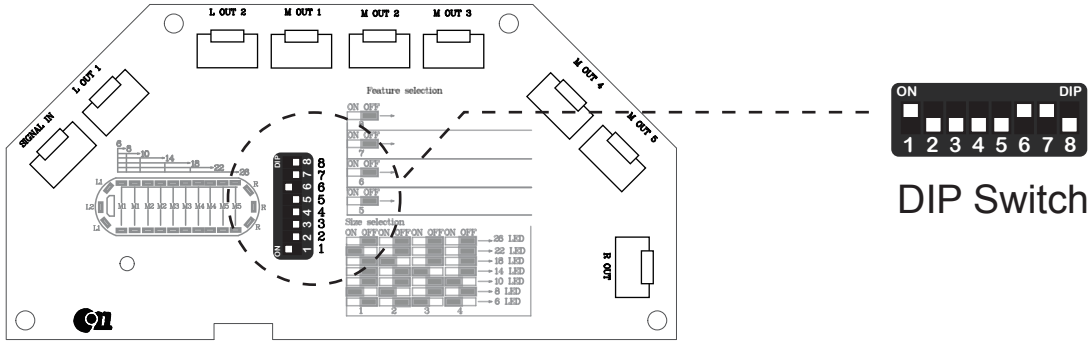


e. Roof Rail Mount



Frequently check to ensure the physical integrity and proper tightness of mounting hardware

Lightbar Mode Selection

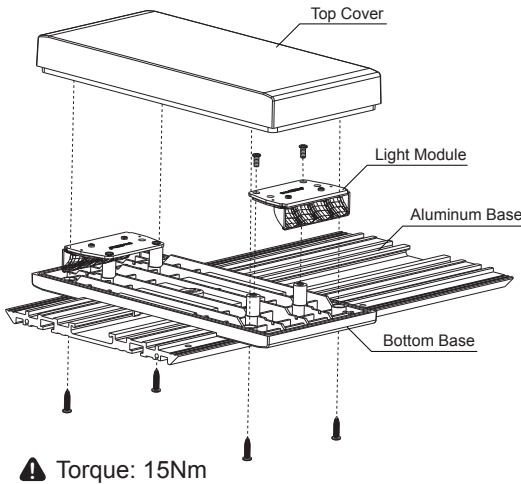


Length Area		Function Area	
20" (506mm)			<p>Brown Wire: ON / OFF Yellow Wire: Mode Blue Wire: Left arrow Orange Wire: Right arrow</p> <p>Green Wire: TD White Wire: Alley Light</p>
29" (739mm)			<p>Brown Wire: ON / OFF Yellow Wire: Mode Blue Wire: Left arrow Orange Wire: Right arrow</p> <p>Green Wire: 50% Power White Wire: Alley Light</p>
38" (974mm)			<p>Brown Wire: ON / OFF Yellow Wire: Mode Blue Wire: Left arrow Orange Wire: Right arrow</p> <p>Green Wire: TD White Wire: White Light Steady</p>
48" (1208mm)			<p>Brown Wire: ON / OFF Yellow Wire: Mode Blue Wire: Font Cut Orange Wire: Rear Cut</p> <p>Green Wire: TD White Wire: Alley Light</p>
56" (1442mm)			<p>Brown Wire: ON / OFF Yellow Wire: Mode Blue Wire: Left arrow Orange Wire: Right arrow</p> <p>Green Wire: 50% Power White Wire: White Light Steady</p>
			<p>Brown Wire: ON / OFF Yellow Wire: Mode Blue Wire: Font Cut Orange Wire: Rear Cut</p> <p>Green Wire: 50% Power White Wire: Alley Light</p>
			<p>Brown Wire: ON / OFF Yellow Wire: Mode Blue Wire: Font Cut Orange Wire: Rear Cut</p> <p>Green Wire: 50% Power White Wire: White Light Steady</p>

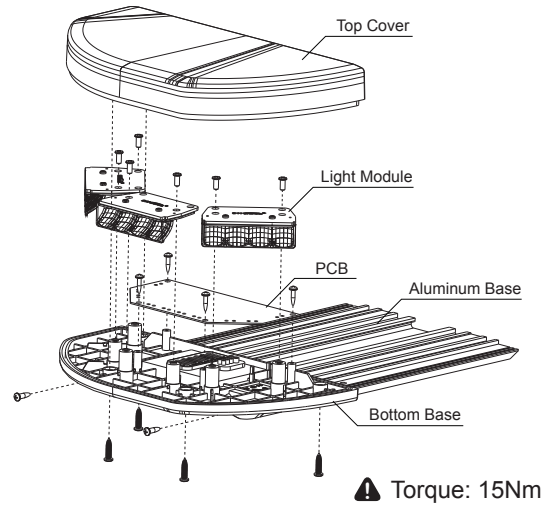
* Factory default setting.

Maintenance

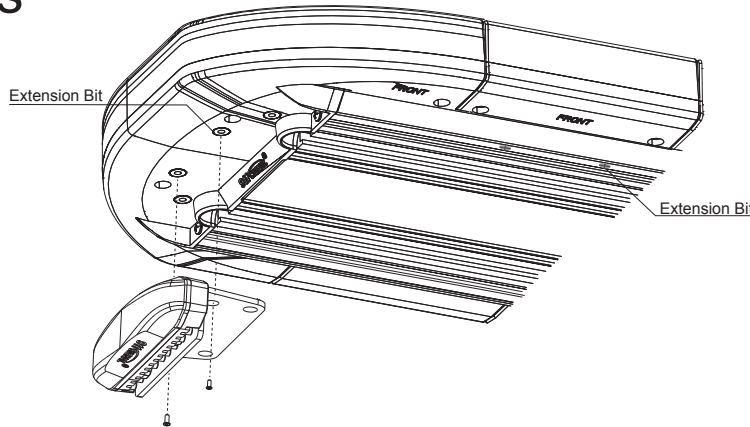
1. Light Module Replacement



2. PCB Replacement



Extensions



Warranty

911Signal warrants that under normal use the product will be defect-free, with respect to materials and workmanship, for a two-year period from original date of purchase. In the event of a suspected defect, please contact 911Signal customer support (www.911signal.com) for assistance. At it's option, 911Signal's obligations will be solely limited to product repair or replacement. Warranty does not apply to cases of damage due to misuse, accident, or normally-expected wear. Due to possible errors in resealing, this product is not warranted against leaking of the waterproof housing or any resulting damage. All warranties implied with respect to merchantability or fitness for a particular use are expressly limited to the warranty duration.

911Signal disclaims all other warranties or conditions whether expressed or implied.

To the full extent not prohibited by law 911Signal will in no event be liable for any revenues, profits, or damages, whether indirect, incidental, or punitive and however consequential, arising out of or relating to inability to use the product. This will hold even should 911Signal be advised as to the possibility of damages, and in no event will 911Signal's liability exceed the amount customer has paid to purchase the product.

Limitations or exclusions listed above may not apply for particular customers, as certain jurisdictions disallow implied warranty limitations with respect to term validity, or the exclusion or limitation of incidental or consequential damages. This warranty imparts specific legal rights, and perhaps others, depending on jurisdiction.