

BRUSH CUTTER

UMK435T

PARTS CATALOGUE

3



UMK435T
(UMT TYPE)

FOREWORD INDEX

1

ENGINE GROUP

2

FRAME GROUP

3

PART NUMBER INDEX

4

PART NAME INDEX

5

Instruction for use of parts catalogue

- **This parts catalogue was prepared based on the latest information available as of November 26, 2009.**
- See the parts catalogue news for any revision that is made after November 26, 2009.
- **Always specify the part number when ordering a part.**
- Check the model, type, serial numbers, color, maker, and the size as needed before ordering a part.
- Note that the illustrations (part drawings) can differ from the actual parts in shape. They are given just to help you to refer to the parts.
- **When modifications or additions to this parts catalogue are made, a revised edition will be issued at an appropriate time, with successively progressing revision numbers on the cover. We recommend obtaining such revisions in order to keep your parts catalogue up-to-date at all times. To check whether a parts catalogue revision has been issued, please contact your Honda distributor.**

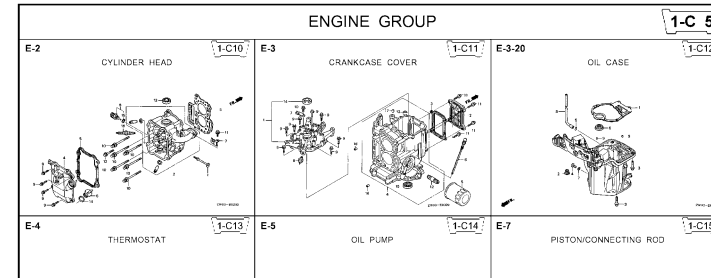
Initial version issue date August 10, 2005
Honda Motor Co., Ltd.

CONTENTS

	Page	Address No.
● Instruction for use of parts catalogue	1	B 1
● How to refer to the part information	2	B 2
● Part catalogue structure	3	B 3
● When the parts were revised	4	B 4
● Abbreviations used in the parts catalogue	4	B 4
● How to check the part block and serial numbers	5	B 5
● Models, parts catalogue codes and applicable serial numbers	6	B 6
● Features of each type	7	B 7
● Fuel hose, general purpose hoses and vinyl hose	8	B 8
● FLAT RATE SERVICE TIME	9	B 9
● Illustrated index	14	B14
● ENGINE GROUP	18	D 1
● FRAME GROUP	33	E 1
● PART NO. INDEX	44	F 1
● PART NAME INDEX	46	G 1

How to refer to the part information

A Reference with "Illustrated index"



B Reference with "Part number index"

PART NO. INDEX

Part Number	Address	Page	Ref.	Part Number	Address	Page
06000				15212-ZW9-000	1-C14	3C
06316-ZW9-000	1-G9	88	1	15220-ZW9-003	1-C14	3C
11000				15332-ZW9-000	1-E8	55
11300-ZW9-405	1-C11	27	1	15332-ZW9-A30	1-E11	5E
11300-ZW9-406	1-C11	27	1	15400-PFB-004	1-C11	27
11340-ZW9-000	1-C11	27	2	15422-ZW9-000	1-C14	3C
11342-ZW9-000	1-C11	27	3	15473-881-000	1-C14	3C
11381-ZW9-003	1-C12	28	1	15474-ZW9-000	1-C14	3C
				15611-921-000	1-C10	2E
				15655-ZW9-000	1-C11	27
				16000		
12000				16010-ZV4-005	1-D4	3E
12000-ZW9-405ZA	1-C11	27	4	16011-ZV4-005	1-D4	3E
12155-ZV4-A00	1-C13	29	1	16013-ZW9-003	1-D4	3E
12166-ZW9-000	1-C10	26	1	16016-ZW9-003	1-D4	3E
12209-GB4-681	1-C16	32	1	16016-ZW9-721	1-D4	3E
12210-ZW9-405ZA	1-C10	26	2	16023-ZW9-003	1-D4	3E
12216-ZE2-300	1-E8	55	1	16024-ZV4-650	1-D4	3E
	1-E11	58	1	16028-ZV4-650	1-D4	3E

C Reference with "Part name index"

PART NAME INDEX

Part name	Address	Page	Ref.
[A]			
ABSORBER , FUEL	1-E15	62	5
ARMATURE COMP.	1-D11	43	7
ARM COMP. , LINK JOINT	1-G6	85	18
ARM COMP. , SHIFT LINK	1-G6	85	14
ARM COMP. , TILT	1-F15	79	20
ARM , FUEL PUMP ROCKER	1-C16	32	4
ARM , REVERSE LOCK	1-F15	79	18
ARM , SHIFT LINK	1-F11	74	7
ARM , STOPPER	1-D1	33	12
ARM , THROTTLE REMOTE	1-F11	74	6
ARM , VALVE ROCKER	1-C16	32	3
[B]			
BAG , TOOL , 160MM	1-G5	84	10
BAND	1-G6	86	37
BAND B1 , WIRE	1-F6	69	1
BAND , CORD	1-F3	67	18
BAND , TUBE CLIP , 11MM	1-E15	63	20
BAND , TUBE CLIP , 12.5MM	1-E15	63	19

Address No. 1-C10

E-2 CYLINDER HEAD

Block No.

Ref No.

Ref. No.	Part No.	Description	Reqd. QTY						Serial No.	Parts catalogue code
			99D1	99D1	1001	1001	1001	1001		
1	12166-ZW9-000	STOPPER, ENGINE SIDE	2	2	2	2	2	2		
2	12210-ZW9-000ZA	HEAD COMP., CYLINDER	1	1	1	1	1	1		
3	12251-ZW9-003	GASKET, CYLINDER HEAD	1	1	1	1	1	1		
4	12310-ZW9-000	COVER COMP., HEAD	1	1	1	1	1	1		
5	12312-ZW9-000	PACKING, HEAD COVER	1	1	1	1	1	1		
6	15611-921-000	CAP, OIL (NO GAUGE)	1	1	1	1	1	1		
7	16617-ZW9-000	HOLDER, CABLE	1	1	1	1	1	1	SC,SG	
	16617-ZW9-010		1	1	1	1	1	1	1001800 LHC,LHD	
			1	1	1	1	1	1	1001801 LHC,LHD	
8	35675-ZW5-003	SENSOR ASSY., WATER	1	1	1	1	1	1		
9	90003-ZW9-000	BOLT, FLANGE, 6X22	1	1	1	1	1	1		
10	90007-ZW9-003	BOLT, FLANGE, 8X83	6	6	6	6	6	6		
11	90011-ZW9-000	BOLT, FLANGE, 6X14(CT200)	1	1	1	1	1	1		
12	90020-ZW9-000	BOLT, FLANGE, 8X40	2	2	2	2	2	2		
13	91202-KJ9-003	OIL SEAL, 20X32X6	1	1	1	1	1	1		
14	91301-805-000	O-RING, 26X2.7	1	1	1	1	1	1		
15	91307-PK2-005	O-RING, 9.5X1.5(HONDA KIKAKI)	1	1	1	1	1	1		
16	98059-55916	PLUG, SPARK (CR5EH-9)	2	2	2	2	2	2		
	98059-55926	PLUG, SPARK (U16FER9)	2	2	2	2	2	2		

Service item F.R.T.

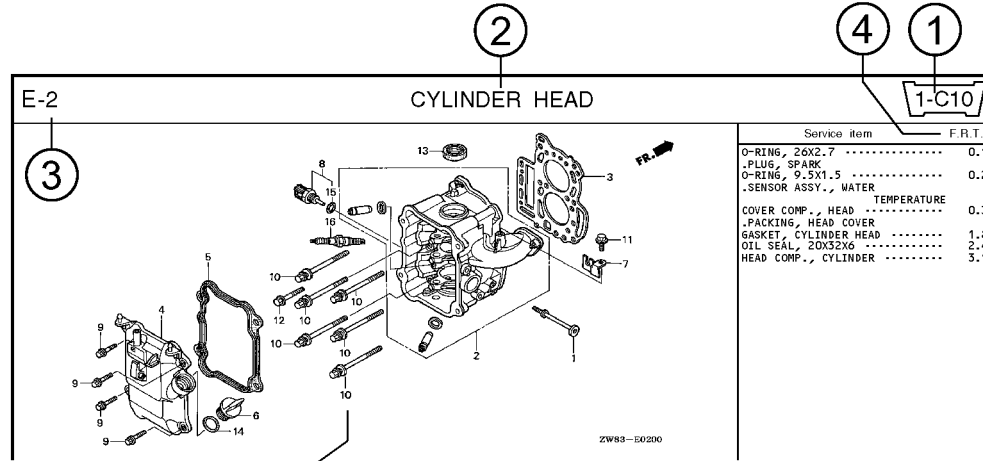
- O-RING, 26X2.7 0.1
- PLUG, SPARK 0.2
- O-RING, 9.5X1.5 0.2
- SENSOR ASSY., WATER TEMPERATURE 0.3
- COVER COMP., HEAD 0.3
- PACKING, HEAD COVER 1.8
- GASKET, CYLINDER HEAD 2.4
- OIL SEAL, 20X32X6 2.4
- HEAD COMP., CYLINDER 3.1

ZW83-ED200

Page No.

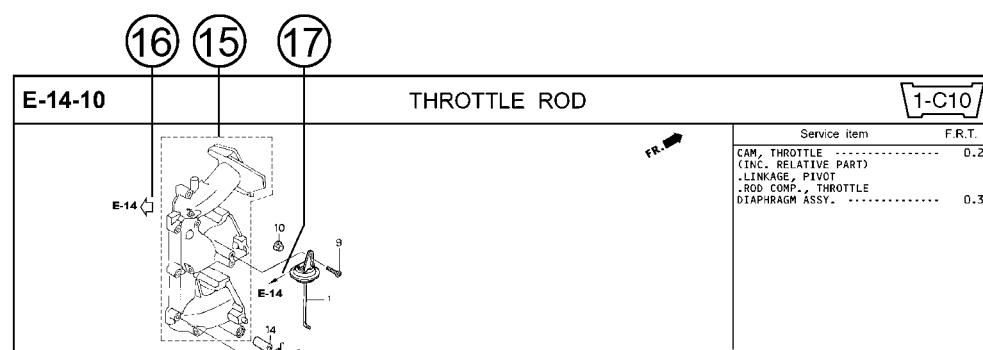
2009.09.20 E

Part catalogue structure



Service item	F.R.T.
O-RING, 26X2.7	0.1
.PLUG, SPARK	0.2
O-RING, 9.5X1.5	0.2
.SENSOR ASSY., WATER	
COVER COMP., HEAD - TEMPERATURE	0.3
.PACKING, HEAD COVER	
GASKET, CYLINDER HEAD	1.8
OIL SEAL, 20X32X6	2.4
HEAD COMP., CYLINDER	3.1

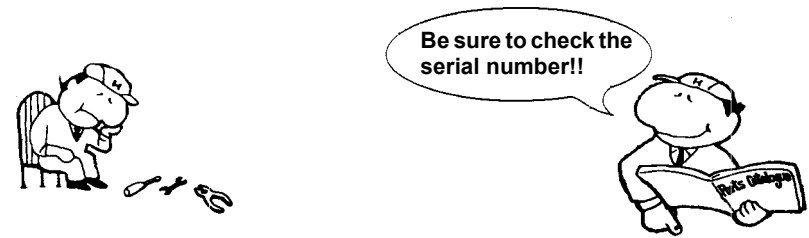
Ref. No.	Part No.	Description	Reqd. QTY						Serial No.	Parts catalogue code
			BF 9/9D1	BFP 9/9D1	BF 10D1	BFP 10D1	BF 10B1	BFP 10B1		
1	12166-zw9-000	STOPPER, ENGINE SIDE	2	2	2	2	2			
2	12210-zw9-000ZA	HEAD COMP., CYLINDER *NHS* DARK GRAY	1	1	1	1	1			
3	12251-zw9-003	GASKET, CYLINDER HEAD	1	1	1	1	1			
4	12310-zw9-000	COVER COMP., HEAD	1	1	1	1	1			
5	12312-zw9-000	PACKING, HEAD COVER	1	1	1	1	1			
6	15611-921-000	CAP, OIL (NO GAUGE)	1	1	1	1	1			
7	16617-zw9-000	HOLDER, CABLE	1	1	1	1	1	SC,SG		
	16617-zw9-010		1	1	1	1	1	1001800 LHC,LHD		



Service item	F.R.T.
CAM, THROTTLE (INC. RELATIVE PART)	0.2
.LINKAGE, PIVOT	
.ROD COMP., THROTTLE	
DIAPHRAGM ASSY.	0.3

- ① **Address number**
 - Address No. is provided (in place of the page No.) to help you refer to the part with the part No. or part name.
- ② **Block title** ③ **Block number**
- ④ **Service item/Flat rate time**
- ⑤ **Reference number**
 - Title number marked with the parenthesis or parentheses indicates that it continues from the previous page.
- ⑥ **Part number** ⑦ **Honda color code**
- ⑧ **Description**
- ⑨ **Assemblies**
 - Sections framed with broken lines in the exploded view drawings are available as complete assemblies. (Their individual parts can also be obtained.)
- ⑩ **Color description**
- ⑪ **Note**
 - Notes are shown with the parentheses in the part name column.
- ⑫ **Required quantity**
 - Required QTY shown in the parenthesis or parentheses indicates the optional part.
 - Required QTY marked with "N" Indicates the optional part that should be selected as needed.
 - Required QTY indicates the number of the part used in the block.
- ⑬ **Serial number**
- ⑭ **Type**
 - When the type column is blank, it indicates that the part is applicable to all types.
 - As the type of the actual unit may differ from the "parts catalogue, type" please refer to "Models, types and applicable serial numbers" for confirmation.
- ⑮ **Parts enclosed in a dotted line**
 - Parts enclosed within a dotted line are covered in a different block.
- ⑯ **Hollow arrow**
 - A hollow arrow indicates the block No. for the parts enclosed within a dotted line.
- ⑰ **Solid arrow**
 - A solid arrow indicates the block No. the part in question is connected to.

When the parts were revised



Ref. No.	Part No.	Description	Reqd. QTY						Serial No.
			BF 9.9D1	BFP 9.9D1	BF 10D1	BFP 10D1	BF 10B1	BFP 10B1	
1	12166-ZW9-000	STOPPER, ENGINE SIDE	2	2	2	2	2	2	
2	12210-ZW9-000ZA	HEAD COMP., CYLINDER							
		NH8.....DARK GRAY	1	1	1	1	1	1	
3	12251-ZW9-003	GASKET, CYLINDER HEAD	1	1	1	1	1	1	
4	12310-ZW9-000	COVER COMP., HEAD	1	1	1	1	1	1	
5	12312-ZW9-000	PACKING, HEAD COVER	1	1	1	1	1	1	
6	15611-921-000	CAP, OIL (NO GAUGE)	1	1	1	1	1	1	
7	16617-ZW9-000	HOLDER, CABLE (###)	1	1	1	1	1	1	
	16617-ZW9-010		1	1	1	1	1	1	

The number has been used from the initial model without revision.

When shown at the left side, it is applicable to the models of No.1001801 and the subsequent numbers.

When shown at the right side, it is applicable to the models up to No.1001800.

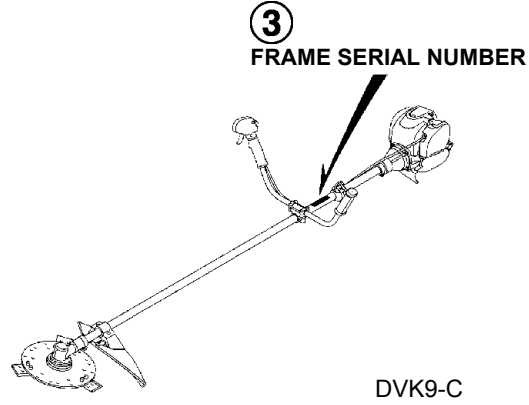
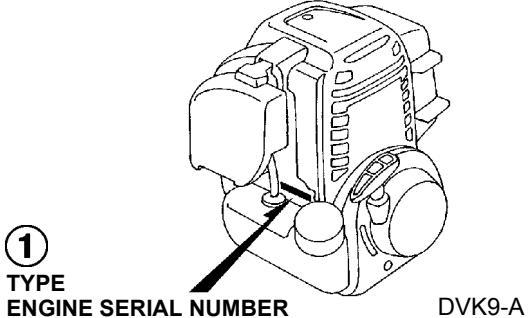
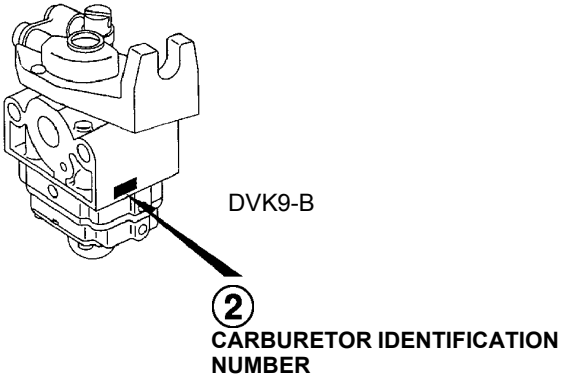
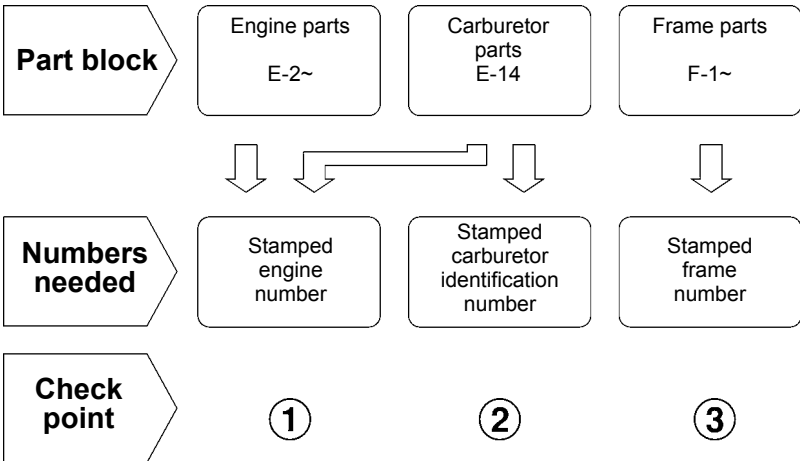
• The parts listed with "###" at the end of the parts name have limited supply period (parts not for sale).

Abbreviations used in the parts catalogue

• The following abbreviations are used in the parts name column.

- A Ampere
- A.C. Alternating current
- ASSY. Assembly
- AT. Automatic transmission
- C.D.I. Capacitive discharge ignition
- COMP. ... Complete
- D.C. Direct current
- EX. Exhaust
- G.F.C.I ... Ground fault circuit interruptor
- HEX. Hexagonal
- H.S.T. Hydrostatic transmission
- FR.Front
- IN.Inlet
- L (100L) .Link (100 Links)
- L.Left
- MMMillimeter
- MT.Manual Transmission
- P.T.O.Power take off
- R.Right
- RR.Rear
- STD.Standard
- T (22T) ...Tooth (22 Teeth)
- VVolt
- WWatt

How to check the part block and serial numbers



Models, parts catalogue codes and applicable serial numbers

1

- Models, parts catalogue codes and applicable serial Nos. given in this parts catalogue can be identified as follows.

Model	Type	Parts catalogue type	Engine		Applicable engine serial No.	Applicable frame serial No.	Applicable carburetor identification No.
			Model	Type			
UMK435T	UEDT	UEDT	GX35T	GY2	GCAMT-1000001~	HAAT-1000001~	WYB 14D
	UMST	UMST		GY7			WYB 14B
	UMT	UMT	GX35	GY5	GCACM-1100001~9999999	HAAT-1000001~9999999	
	UMTT	UMTT	GX35T	GY7	GCAMT-1000001~	HAAT-1000001~	WYB 31
	U2BT	U2BT		GY3			WYB 14B
	U2ST	U2ST		GY7			
	U2T	U2T	GX35	GY5	GCACM-1100001~9999999	HAAT-1000001~9999999	WYB 14B
	U2TT	U2TT	GX35T	GY7	GCAMT-1000001~	HAAT-1000001~	

* Of carburetor identification numbers, only the portions underlined in the example below are used for registration.

WYB 14D

Features of each type

• See the following table for the features of each type. (Items in brackets are optional)

Specifications		Model	UMK435T								
		Type	UEDT	UMST	UMT	UMTT	U2BT	U2ST	U2T	U2TT	
Tank guard			●					●			
Cutter blade	2-Teeth						●	●	●	●	
	3-Teeth		●								
	Mowing cutter			●	●	●					
	Nylon cutter		●								

Fuel hose, general purpose hoses and vinyl hose

1

- The standard part fuel hose, general purpose hose and vinyl hose may be substituted by the coiled bulk part.
- When ordering the standard part fuel hose, general purpose hose and vinyl hose use the bulk part number written in the parts catalog in brackets () underneath the part name.
- When exchanging the hose, cut and use at the specified length as mentioned in the part name.
(For the method of cutting the bulk part, and method of filling out orders etc., please refer to the instructions issued with the bulk part.)

Bulk part number of fuel hose, general purpose hose and vinyl hose.

Example: 9 5 0 0 1 - 7 5 0 0 1 - 5 0 M

Bulk part number:

Refers to the bulk part.

Marking code (fuel hose and general purpose hose)

Change code (Vinyl hose)

Indicates number mark or change sequence, however, the code for the bulk part must be strictly 0 (zero).

Types of code:

- | | | | | | |
|-------------|--|----------------|--|--------------|---|
| • Fuel hose | 2: Red outside braid
(3 mm inside dia. only) | • General hose | 1: Ash gray
2: Ash gray
3: Black
5: Black | • Vinyl hose | 1: Clear
2: Black
3: Light red
6: Light red
7: Pale black |
| | 5: Black inside braid | | | | |
| | 3: Red (3 mm inside dia. only) | | | | |
| | 4: Ash gray with red stripe
(3 mm inside dia. only) | | | | |
| | 6: Black | | | | |

Lengths:

- 001: 1 m (standard)
003: 3 m
008: 8 m } Application or specification of some parts is not settled.

I.D code: (fuel hose and general purpose hose)

- | | | | | |
|------------|--------------------|--------------------|-----------------------------|-----------------------------|
| 30: 3.0 mm | 50: 5.0 mm | 70: 7.0 mm | 11: 11 mm | 12: 12 (outside dia. 17) mm |
| 35: 3.5 mm | 55: 5.3 mm, 5.5 mm | 75: 7.3 mm, 7.5 mm | 91: 12 (outside dia. 15) mm | 14: 14 mm |
| 45: 4.5 mm | 65: 6.5 mm | 80: 8.0 mm | 92: 12 (outside dia. 16) mm | 17: 17 mm |

ID./OD. code: (vinyl hose)

- | | | | | |
|-------------------------|--------------------------|---------------------------|---------------------------|---------------------------|
| 01: ID. 2.9, OD. 6.8 mm | 12: ID. 5.0, OD. 7.0 mm | 21: ID. 8.0, OD. 9.0 mm | 37: ID. 11.0, OD. 15.0 mm | 50: ID. 16.0, OD. 19.0 mm |
| 03: ID. 3.0, OD. 6.0 mm | 10: ID. 5.0, OD. 8.0 mm | 23: ID. 8.0, OD. 12.0 mm | 38: ID. 12.0, OD. 13.0 mm | 55: ID. 17.5, OD. 20.5 mm |
| 05: ID. 3.5, OD. 6.5 mm | 11: ID. 5.0, OD. 9.0 mm | 25: ID. 9.0, OD. 11.0 mm | 39: ID. 12.0, OD. 14.0 mm | 60: ID. 22.0, OD. 27.0 mm |
| 07: ID. 4.0, OD. 7.0 mm | 14: ID. 6.0, OD. 9.0 mm | 27: ID. 9.0, OD. 13.0 mm | 40: ID. 12.0, OD. 16.0 mm | |
| 08: ID. 4.5, OD. 6.5 mm | 17: ID. 7.0, OD. 9.0 mm | 33: ID. 10.0, OD. 14.0 mm | 43: ID. 13.0, OD. 15.0 mm | |
| 09: ID. 4.5, OD. 8.0 mm | 19: ID. 7.0, OD. 11.0 mm | 36: ID. 11.0, OD. 13.0 mm | 45: ID. 14.0, OD. 18.0 mm | |

Hose type:

- 1: Fuel hose
3: Vinyl hose
5: General hose

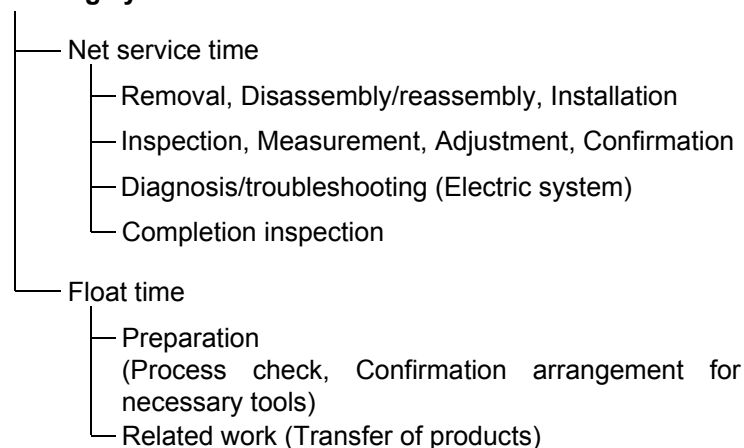
⊙ **CAUTION: It is DANGEROUS to confuse the fuel hose with the general purpose hose or vinyl hose.**

Never use a general purpose hose or vinyl hose in place of a fuel hose or vice versa. Always use the correct bulk part in the parts catalogue, according to the service manual or the instructions issued with the bulk part.

FLAT RATE SERVICE TIME

Flat rate service time (FRT) means the standard time required to service a product, which is listed in this manual to help the dealers control the actual working process and calculate the service charge by using it as a guide.

FRT setting system



* Float time is set by multiplying the net service time by a given coefficient.

Editorial style

The service items shown in the text are listed with the exchange work time for the repair sales parts as the subject. Other representative service items not using repair parts (removal/installation, adjustment, inspection/measuring, and other work) are listed collectively in the list in the preface, classified according to the work.

FRT setting standard

- Decimal system (in unit of 0.1) is adopted to set FRT as it is convenient to calculate the wage.
Example: (0.1) → 6 minutes, (0.2) → 12 minutes
[Labor cost per hour] x [FRT] = [Wage]
- FRT is set with a hand tool.
- Service items and FRT can be subject to change depending on development of tools and service equipment and improvement in service procedure.

Work procedure

- As the work procedure is set with the work time according to the method in the separate Service Manual, refer to this Manual as required.
- Work methods permitting servicing in the shortest time still permitting assurance of safe work and product warranty are used for the setting of service items not listed in the Service Manual.
- Work basically is to be performed by one person, and when two or more people are required, setting is done as the total time for the number of people.
- The set value for the technological level of the workers uses a person with three years of experience in the repair of Honda products as the standard.
- Special tools and service equipment used to set FRT are those specified or recommended in Service Manual.

Service item whose FRT is not presented

- Accessories and service parts that are not listed to use in this manual.
 - Locations with little aging deterioration or breakage during normal use.
 - Service work that can be finished by one touch.
 - Service work that is seldom done (i.e. extremely small causes of trouble and service frequency).
 - Products and parts whose location for installation differs according to its status of use and application.
- * When FRT is not presented, please calculate wages based on appropriate actual work time.

Operation not included of FRT

- Oil and coolant water draining, Waiting time for warming up operation and etc..
- Additional operation that involves removal/installation of standard exterior equipment.
- Indirect time spent for service by visiting the customer, trade-in, and delivery.
- Indirect time required for ordering and delivery of parts.
- Cost for grease, adhesive agent, etc. used for service work.

**Explanation of FRT by using an example
(The example may differ from the actual presented items)**

Ref. No.	L.O.N.	(Relative ref. Number) Description	F.R.T.
①	1111L1	④ (1, 3, 4, 7) VALVE, INTAKE 4.1	②
②		• NOTE: OHV type ⑥	⑦
③	1111L1A	• Includes: Engine removal and installation	
		One head (intake all) add 1.4 ⑤	

- ① Reference No. of the illustration of part that shows location of the replacement work.
- ② FRT is an abbreviation of Flat Rate Time indicating the standard service time required for the replacement.
- ③ LON is an abbreviation of Labor Operation Number, and it is a classification of the service items by the work unit code.

The same operation code is used regardless of the models.

Standard operation is indicated with 6 digits code, and additional operation is indicated with 7 digits code.

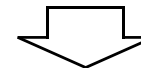
- ④ Indicating the intake valve replacement and FRT4.1.
- ⑤ Indicating FRT1.4 that will be added when additional operation (whole intake side of one cylinder head) is done in association with intake valve replacement.

- ⑥ Indicating work condition or application condition of the service item.
- ⑦ Indicating work contents that are included in the service item.
- ⑧ Indicating a reference No. whose operation and time are the same as FRT4.1 for the intake valve.

(The application range is limited to the service items without an LON setting within a same block.)

**How to refer to the service item by using the sample
(intake valve replacement)**

Open to the page of the block where the intake valve's spare part illustration is shown.



Look for the intake valve illustration, and refer to the service item and FRT that agree with the reference No.

Indication mark for the listing of service items that continues to the following page

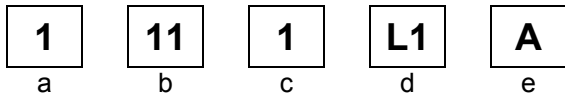
Ref. No.	L.O.N.	(Relative ref. Number) Description	F.R.T.
2	1111L1	VALVE, INTAKE	4.1
	.	.	.
	.	.	.

+
Mark indicated at the last line.

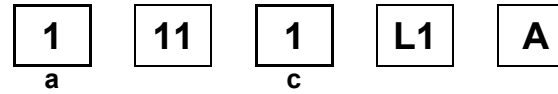
Indication of the block with no setting of FRT

Ref. No.	L.O.N.	(Relative ref. Number) Description	F.R.T.
NO INFORMATION			

• LON code system



- a) Category code..... Engine
- b) Location/function code Engine upper
- c) Operation code..... Replace
- d) Operation sequence number (Unit code can be shown with alphabet)
..... Intake valve
(No regular rule of code)
- e) Additional code One head (intake all)
(No regular rule of code)



a) Category codes and classification

Code	Category
1	Engine
2	Power drive
3	Fuel & Exhaust
4	Frame & Body
5	Steering
6	Electrical
7	Axle & Brake
8	Control system
9	-
0	Attachments

c) Operation codes and classification

Code	Operation category
1	Replace, Removal/Installation, Change
2	Overhaul
3	Adjust, Rotation
4	(Paint-related work: Top-coat)
5	Test, Inspect/diagnose, Measurement
6	(Overhaul-related work: Rebore)
7	(Overhaul-related work: Reseal)
8	(Resurface)
9	(Paint-related work: Refinish)
0	Repair, Cleaning, Air bleeding

Major service items without using spare parts

- (1) Removal/Installation, (2) Adjustment,
(3) Inspection/Masurement, (4) Overhaul, (5) Other work

E: Engine, T: Transmission, D: Drive system,
B: Body and related parts

(1) Removal/Installation

Set with the parts configuration in the status of being removed from the product.

	LON	DESCRIPTION	FRT
E	1001A2	ENGINE-REMOVAL/INSTALLATION	0.2

(2) Adjustment

	LON	DESCRIPTION	FRT
E	1113A1	VALVE CLEARANCE-ADJUSTMENT NOTE: For 1 product	0.4
	3113A2	CARBURETOR IDLE-ADJUSTMENT	0.2
	8113B1	THROTTLE CABLE-ADJUSTMENT	0.1

(3) Inspection, Measurement, Cleaning

	LON	DESCRIPTION	FRT
E	1105A0	ENGINE OIL-INSPECTION	0.1
	3120A0	AIR CLEANER-CLEANING INCLUDES: Air cleaner-inspection	0.1
	6140A0	SPARK PLUG-ADJUSTMENT/CLEANING INCLUDES: Spark plug check NOTE: For 1 product	0.1
B	2165A0	BLADE CUTTER-INSPECTION	0.1

(4) Overhaul

Work condition: The required Measurements, inspections, adjustments, and cleaning/washing of each part are performed, including the main body removal/installation work and the replacement of defective parts.

	LON	DESCRIPTION	FRT
E	3112A0	CARBURETOR-OVERHAUL INCLUDES: All necessary adjustment	0.4

(5) Other work

	LON	DESCRIPTION	FRT
E	1101E1	ENGINE OIL-CHANGE INCLUDES: Engine oil-inspection	0.1

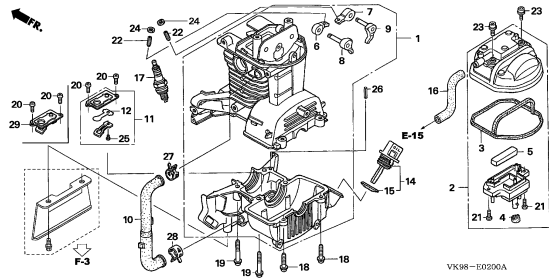
ENGINE GROUP

B14

E-2

CRANKCASE SET

D 1

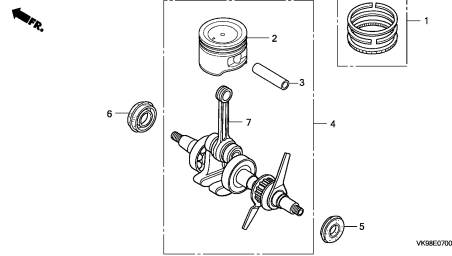


VK98-E0200A

E-7

CRANKSHAFT/PISTON

D 3

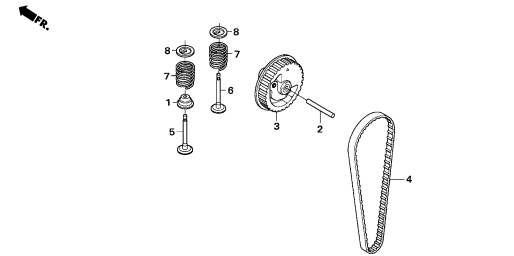


VK98E700A

E-10

CAM PULLEY

D 4

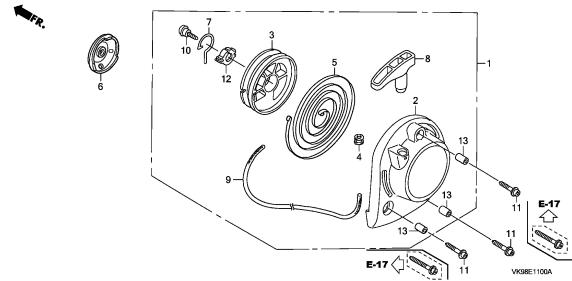


VK98-E1000

E-11

RECOIL STARTER

D 6

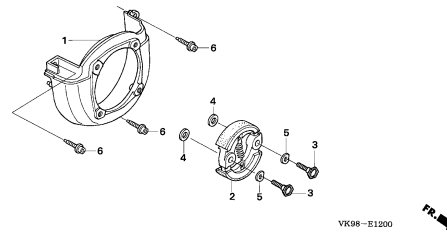


VK98E1100A

E-12

FAN COVER/CLUTCH

D 7

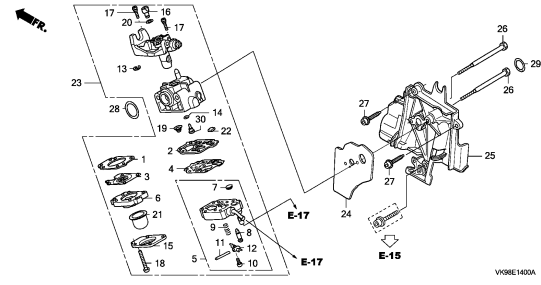


VK98-E1200

E-14

CARBURETOR

D 8

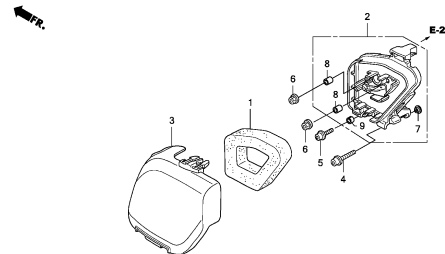


VK98E1400A

E-15

AIR CLEANER

D10

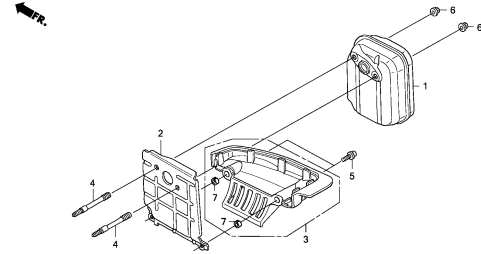


VK98E1500A

E-16

MUFFLER

D11

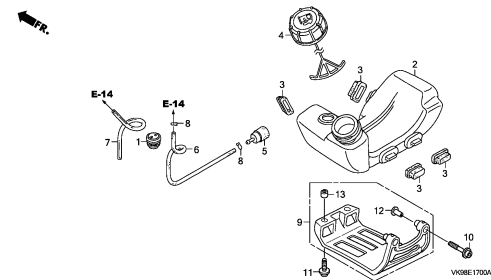


VK98E1600A

E-17

FUEL TANK

D12



VK98E1700A

2

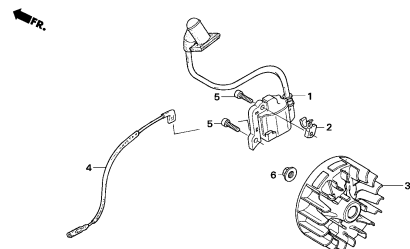
ENGINE GROUP

B15

E-19

D13

FLYWHEEL

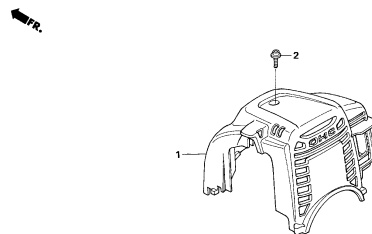


VK98-E1900

E-27

D14

TOP COVER

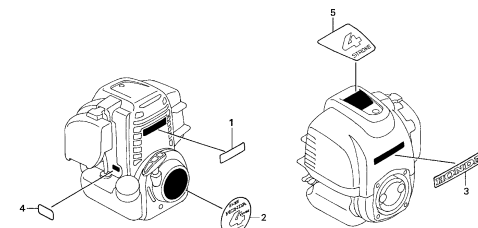


VK98-E2700

E-28

D15

LABEL



VK98-E2800

2

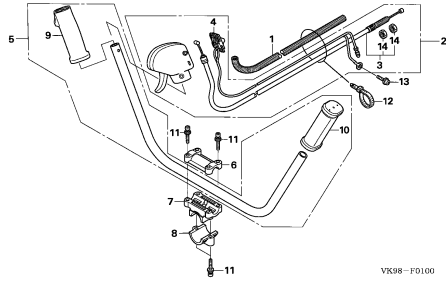
FRAME GROUP

B16

F-1

E 1

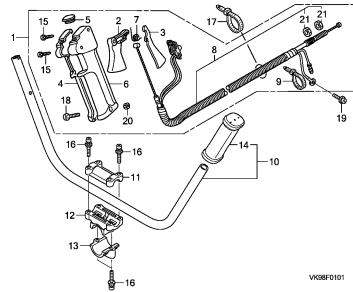
HANDLE PIPE/THROTTLE LEVER(1)



F-1-1

E 2

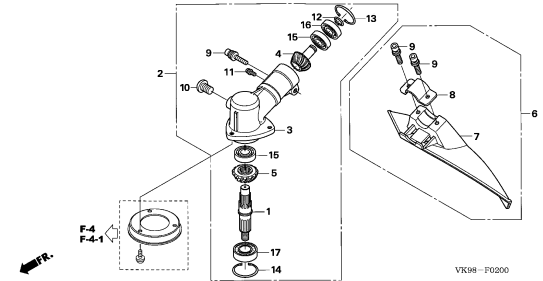
HANDLE PIPE/THROTTLE LEVER(2)



F-2

E 3

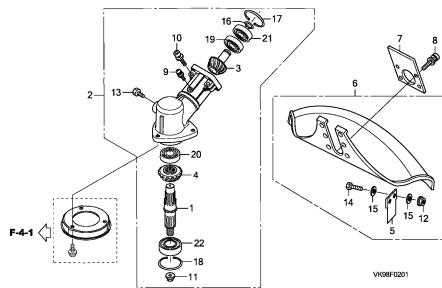
GEAR CASE(1)



F-2-1

E 4

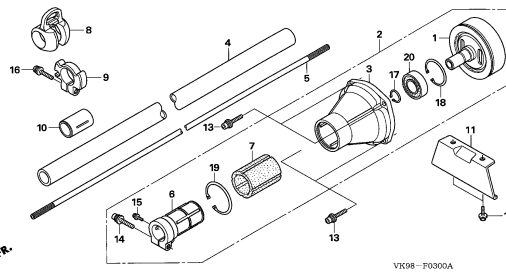
GEAR CASE(2)



F-3

E 5

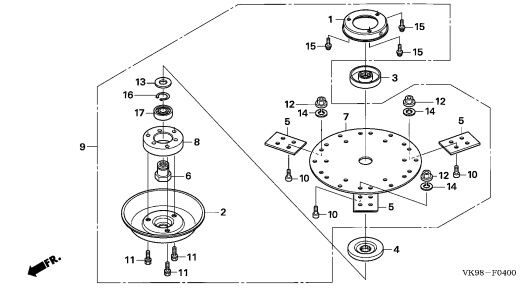
FRAME



F-4

E 6

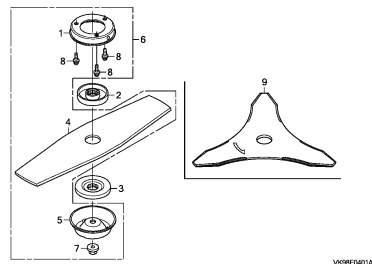
BLADE(1)



F-4-1

E 7

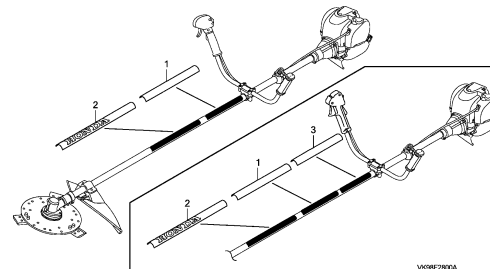
BLADE(2)



F-28

E 8

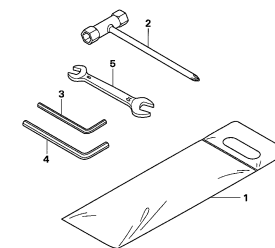
LABEL



F-29

E 9

TOOL



3

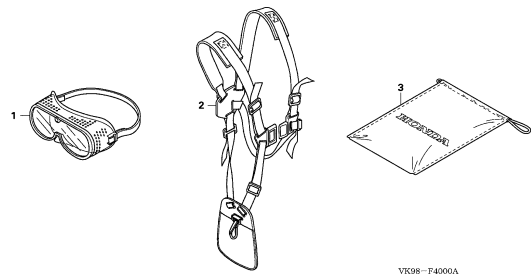
FRAME GROUP

C 1

F-40

SHOULDER BELT

E10

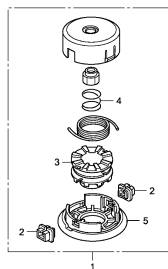


V098-F4000A

F-40-1

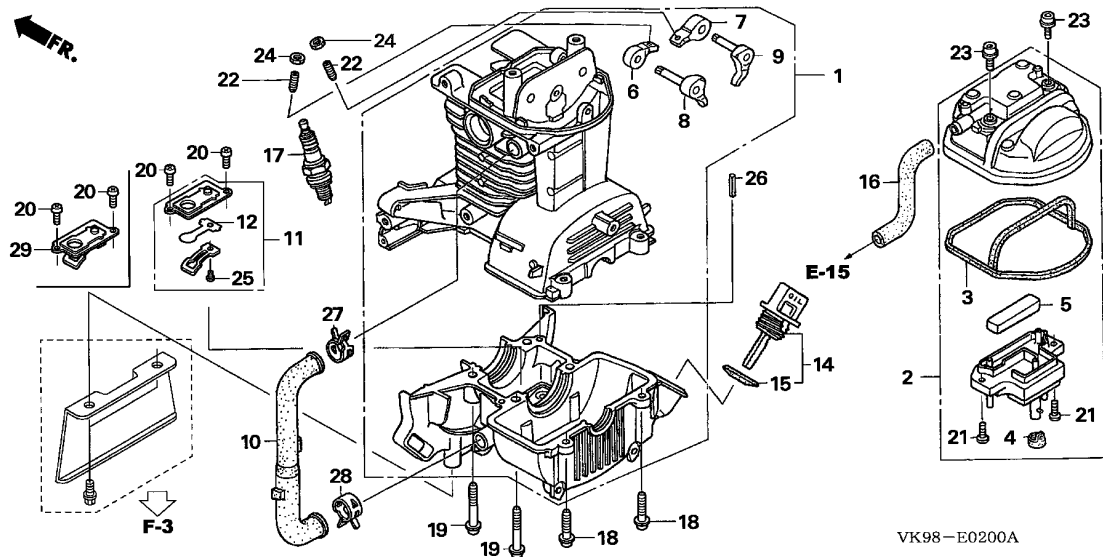
NYLON CUTTER

E11



V08P401

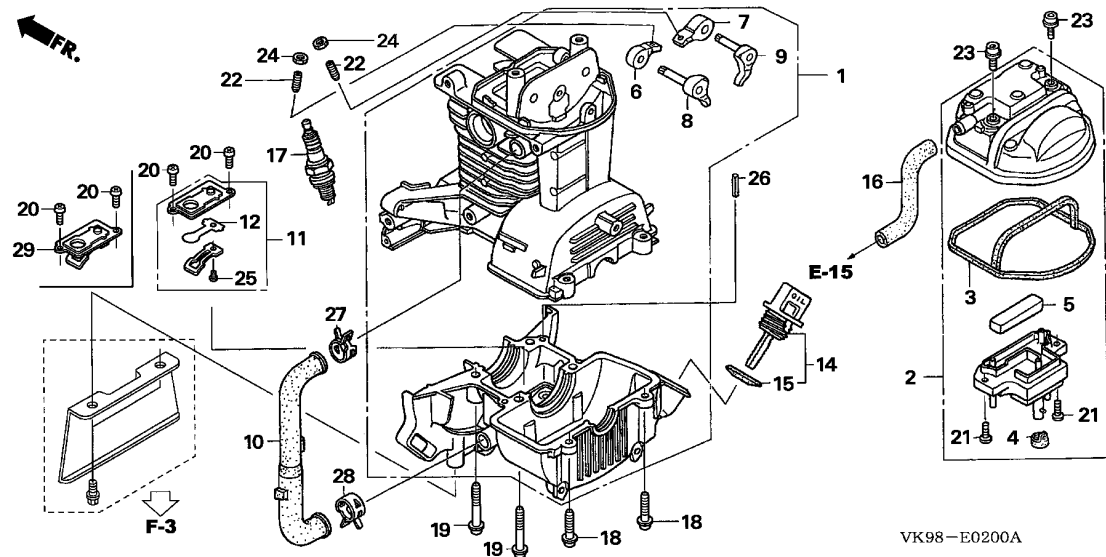
3



VK98-E0200A

Ref. No.	L.O.N.	(Relative ref. Number) Description	F.R.T.
1	1101B7	CRANKCASEINCLUDES: Engine removal and installation	1.7
2	1111D5	COVER, CYLINDER HEAD AND/OR PACKING, HEAD COVER	0.1
6	1111A2	ARM, ROCKER :INTAKEINCLUDES: Valve clearance adjustment	0.6
7	1111A1	ARM, ROCKER :EXHAUSTINCLUDES: Valve clearance adjustment	0.6
8	1111L9	LIFTER, VALVE :INTAKEINCLUDES: Valve clearance adjustment	0.6
9	1111M0	LIFTER, VALVE :EXHAUSTINCLUDES: Valve clearance adjustment	0.6
10	1171A4	TUBE, OIL	0.4
11	1171A2	PLATE, OIL OUTLET VALVEINCLUDES: Engine removal and installation	1.3
16	1111K5	TUBE, BREATHER	0.1
+17	6141C1	PLUG, SPARK	0.1

Ref. No.	Part No.	Description	Reqd. QTY		Serial No.	Parts catalogue code
			UMK	435T		
1	10100-Z0Z-405 10100-Z3F-405	CRANKCASE SET	1	-----	1183074 UMT,U2T	
			1	-----	UEDT,UMST,UMTT,U2BT,U2ST,U2TT	
2	12310-Z0Z-000	COVER, CYLINDER HEAD	1	-----	1183075 UMT,U2T	
3	12312-Z0Z-300	SEAL, HEAD COVER	1	-----		
4	12314-Z0H-300	GROMMET, HEAD COVER	1	-----		
5	12367-Z0H-000	FILTER, BREATHER	1	-----		
6	14431-Z0H-003	ARM, IN. VALVE ROCKER	1	-----		
7	14441-Z0H-003	ARM, EX. VALVE ROCKER	1	-----		
8	14730-Z0Z-000	LIFTER COMP., IN. VALVE	1	-----		
9	14740-Z0Z-000	LIFTER COMP., EX. VALVE	1	-----		
10	15422-Z0Z-000	TUBE, OIL	1	-----		
11	15510-Z0H-000	PLATE ASSY., OIL OUTLET VALVE	1	-----	----- UMT,U2T	
12	15571-ZM3-003	VALVE, OIL OUTLET	1	-----	----- UMT,U2T	
14	15600-ZM3-003	CAP ASSY., OIL FILLER	1	-----	----- UMT,U2T	
	15600-Z3F-000		1	-----	----- UEDT,UMST,UMTT,U2BT,U2ST,U2TT	
15	15625-ZE1-003	PACKING, OIL FILLER CAP	1	-----	----- UMT,U2T	
	15625-Z0T-800		1	-----	----- UEDT,UMST,UMTT,U2BT,U2ST,U2TT	
16	15721-Z0Z-000	TUBE, BREATHER	1	-----		
17	31914-Z0H-003	PLUG, SPARK (CMR4H)(NGK)	(1)	-----		
	31915-Z0H-003	PLUG, SPARK (CMR5H)(NGK)	1	-----		
	31916-Z0H-003	PLUG, SPARK (CMR6H)(NGK)	(1)	-----		
18	90009-Z0H-003	BOLT, SOCKET, 5X20	2	-----		
19	90010-Z0Z-003	BOLT, SOCKET, 5X32	4	-----		
20	90013-Z0H-004	SCREW, PAN, 4X8	2	-----	----- UMT,U2T	
			2	-----	1088910 UMST,UMTT,U2ST,U2TT	

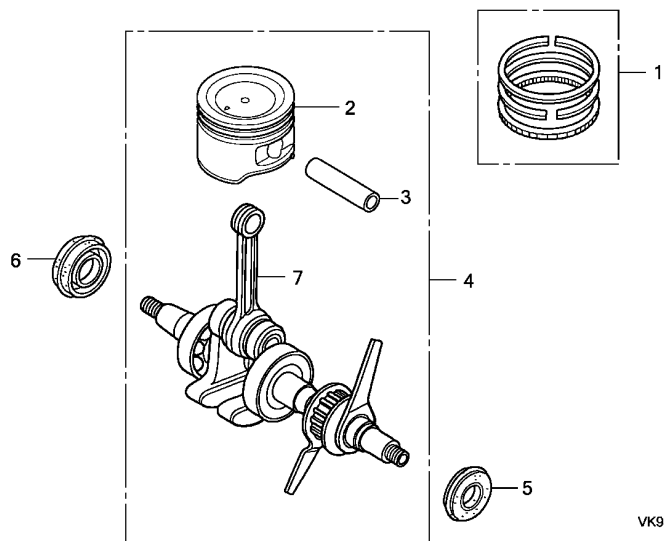


Ref. No.	L.O.N.	(Relative ref. Number) Description	F.R.T.
----------	--------	------------------------------------	--------

+17 .INCLUDES: Spark plug check

Ref. No.	Part No.	Description	Reqd. QTY		Serial No.	Parts catalogue code
			UMK	435T		
20)	90013-Z3E-003	SCREW, PAN, 4X8	2	-----	----- UEDT,U2BT	
			2	1088911	----- UMST,UMTT,U2ST,U2TT	
21	90013-Z0Z-003	SCREW, PAN, 4X8	2	-----	----- UMT,U2T	
			2	1088910	UMST,UMTT,U2ST,U2TT	
	90013-Z3F-003	2	-----	----- UEDT,U2BT	
			2	1088911	----- UMST,UMTT,U2ST,U2TT	
22	90017-Z0H-000	SCREW, TAPPET ADJUSTING	2	-----	----- UMT,U2T	
23	90019-Z0H-003	BOLT, SOCKET, 5X12	2	-----	-----	
24	90206-ZM3-000	NUT, TAPPET ADJUSTING	2	-----	-----	
25	93500-03005-0A	SCREW, PAN, 3X5	1	-----	----- UMT,U2T	
26	94305-40102	PIN, SPRING, 4X10	1	-----	-----	
27	95002-41200-08	CLAMP, TUBE (D12)	1	-----	-----	
28	95002-41300-04	CLAMP, TUBE (D13)	1	-----	-----	
29	15510-Z3E-000	PLATE ASSY., OIL OUTLET VALVE	1	-----	----- UEDT,UMST,UMTT,U2BT,U2ST,U2TT	

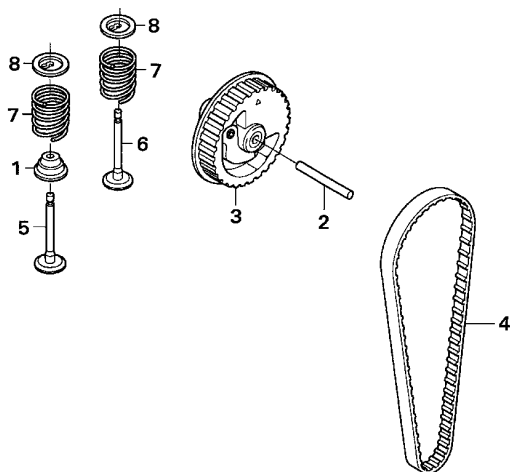




Ref. No.	L.O.N.	(Relative ref. Number) Description	F.R.T.
1	(2,3)		
1111J4		RING SET, PISTON	1.5
		.INCLUDES: Engine removal and installation	
1111J4F		.Replace 1 piston and/or pin and/or rod, connecting and/or bearing add	0.1
4	1101R3	CRANKSHAFT ASSEMBLY	1.4
		.INCLUDES: Engine removal and installation	
5	1101E5	OIL SEAL, CRANKSHAFT :REAR ...	1.4
		.INCLUDES: Engine removal and installation	
6	1101E4	OIL SEAL, CRANKSHAFT :FRONT ..	1.4
		.INCLUDES: Engine removal and installation	
7	1101F0	CRANKSHAFT	1.7
		.INCLUDES: Engine removal and installation	

VK98E0700A

Ref. No.	Part No.	Description	Reqd. QTY	Serial No.	Parts catalogue code
			UMK 435T		
1	13010-ZM5-000	RING SET, PISTON	1		
2	13101-Z0Z-000	PISTON	1		
3	13111-ZM5-000	PIN, PISTON	1		
4	13310-Z0Z-000	CRANKSHAFT COMP.	1		
5	91212-Z0H-003	OIL SEAL, 10X20X5	1	----- UMT,U2T	
	91212-Z3E-000	1	----- 1088910 UMST,UMTT,U2ST,U2TT	
	91212-Z3E-003	1	----- UEDT,U2BT	
			1	1088911 ----- UMST,UMTT,U2ST,U2TT	
6	91214-ZM3-003	OIL SEAL, 15X25X6	1	----- UMT,U2T	
	91214-Z3F-000	1	----- 1088910 UMST,UMTT,U2ST,U2TT	
	91214-Z3F-003	1	----- UEDT,U2BT	
			1	1088911 ----- UMST,UMTT,U2ST,U2TT	
7	13310-Z0Z-305	CRANKSHAFT COMP.	(1)	----- UEDT,UMST,UMTT,U2BT,U2ST,U2TT	



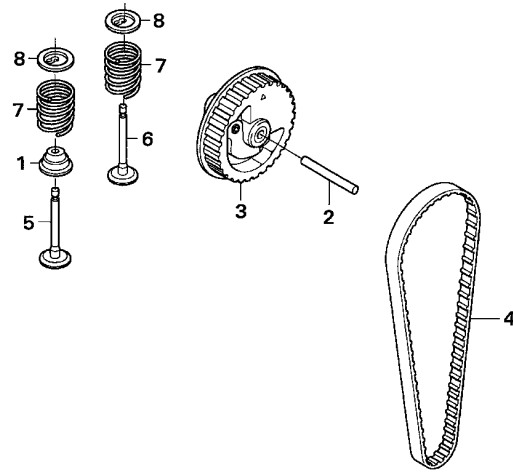
VK98-E1000

Ref. No.	L.O.N.	(Relative ref. Number) Description	F.R.T.
1	1111K2	SEAL, INTAKE VALVE STEMINCLUDES: Engine removal and installation .INCLUDES: Valve clearance adjustment	1.5
3	1111N5	PULLEY, CAMSHAFTINCLUDES: Engine removal and installation	0.6
4	1111N6	BELT, TIMINGINCLUDES: Engine removal and installation	1.4
5	1111L1	VALVE, INTAKEINCLUDES: Engine removal and installation .INCLUDES: Valve clearance adjustment and reface	1.5
	1111L1E	.Replace intake and exhaust all add	0.1
6	1111L0	VALVE, EXHAUSTINCLUDES: Engine removal and installation .INCLUDES: Valve clearance adjustment and reface	1.5
	1111L0E	.Replace intake and exhaust all add	0.1

Ref. No.	Part No.	Description	Reqd. QTY		Serial No.	Parts catalogue code
			UMK	435T		
1	12209-Z0H-003	SEAL, VALVE STEM	1	-----	1183074 UMT,U2T	
	12209-Z3E-000	1	-----	1183075 ----- UMT,U2T	
	12209-Z3E-003	1	-----	1088910 UMST,UMTT,U2ST,U2TT	
		1	-----	----- UEDT,U2BT	
		1	-----	1088911 ----- UMST,UMTT,U2ST,U2TT	
2	14126-Z0Z-003	ROLLER, 4X31.8	1	-----	----- UMT,U2T	
3	14320-Z0Z-000	PULLEY COMP., CAMSHAFT	1	-----	-----	
4	14400-Z0Z-003	BELT, TIMING (76ZU7 G-300) ..	1	-----	----- UMT,U2T	
	14400-Z3F-003	1	-----	1022910 UMST,UMTT,U2ST,U2TT	
		1	-----	----- UEDT,U2BT	
		1	-----	1022911 ----- UMST,UMTT,U2ST,U2TT	
5	14711-Z0Z-000	VALVE, IN.	1	-----	1183074 UMT,U2T	
	14711-Z0Z-800	1	-----	----- UEDT,UMST,UMTT,U2BT,U2ST,U2TT	
		1	-----	1183075 ----- UMT,U2T	
6	14721-Z0Z-000	VALVE, EX.	1	-----	1183074 UMT,U2T	
	14721-Z0Z-800	1	-----	----- UEDT,UMST,UMTT,U2BT,U2ST,U2TT	
		1	-----	1183075 ----- UMT,U2T	
7	14751-Z0Z-000	SPRING, VALVE	2	-----	-----	
8	14771-Z0H-000	RETAINER, VALVE SPRING	2	-----	-----	



FR.



VK98-E1000

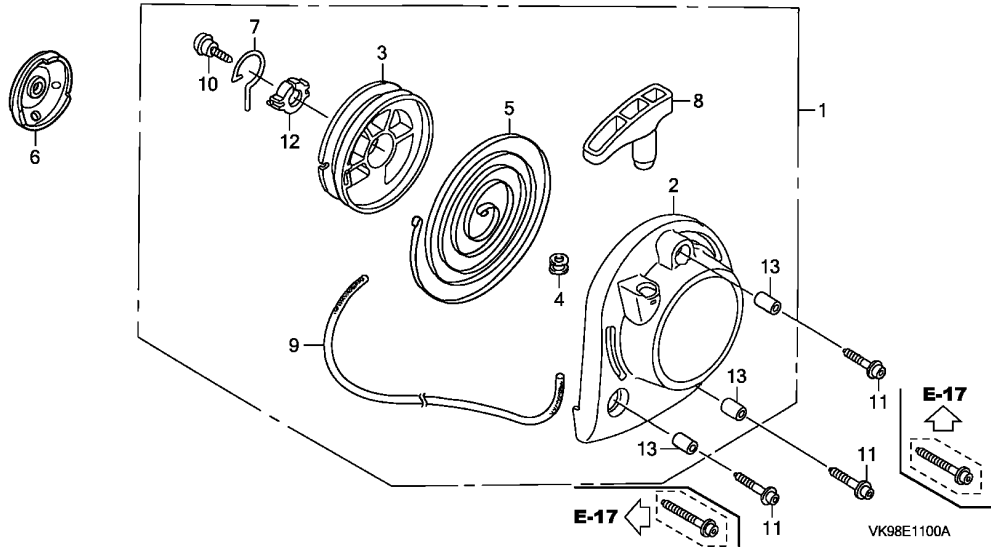
Ref. No.	L.O.N.	(Relative ref. Number) Description	F.R.T.
7	1111P3	SPRING, VALVE :INTAKEINCLUDES: Engine removal and installation .INCLUDES: Valve clearance adjustment	1.5
	1111P3A	.Replace intake and exhaust all add	0.1
	1111P4	SPRING, VALVE :EXHAUSTINCLUDES: Engine removal and installation .INCLUDES: Valve clearance adjustment	1.5
	1111P4A	.Replace intake and exhaust all add	0.1

E-11

RECOIL STARTER

D 6

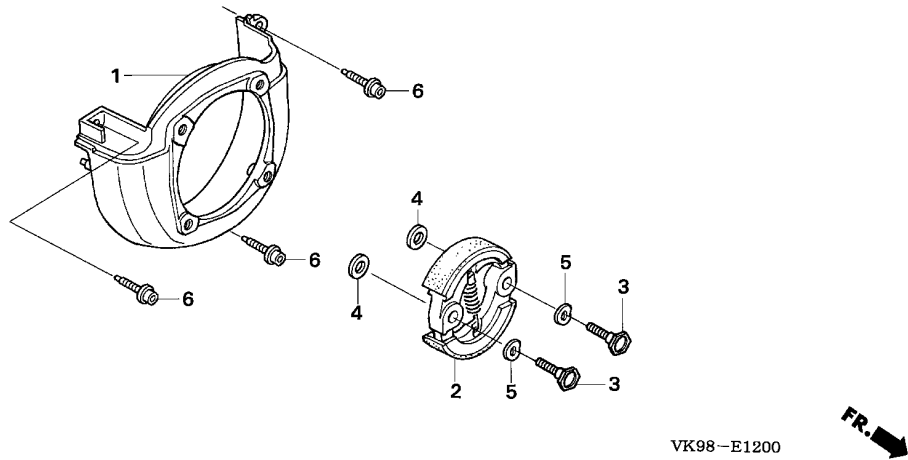
FR.



Ref. No.	L.O.N.	(Relative ref. Number) Description	F.R.T.
1	1121B9	STARTER, RECOIL	0.2
3	1121B1	REEL, RECOIL STARTER	0.3
5	1121B7	SPRING, RECOIL STARTER RETURN	0.3
6	1121A9	PULLEY, RECOIL STARTER	0.5
.INCLUDES: Engine removal and installation			
9	1121B3	ROPE, RECOIL STARTER	0.3

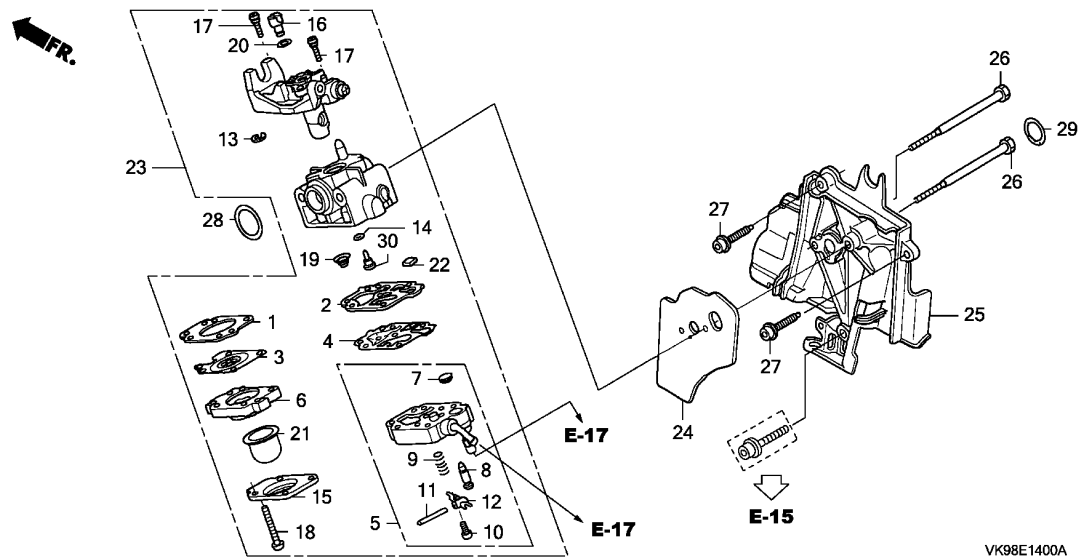
Ref. No.	Part No.	Description	Reqd. QTY	Serial No.	Parts catalogue code
			UMK 435T		
1	28400-Z0Z-003	STARTER ASSY., RECOIL	1		
2	28414-Z0Z-000	CASE, RECOIL STARTER	1		
3	28421-ZM3-003	REEL, RECOIL STARTER	1		
4	28433-ZM3-003	GUIDE, ROPE	1		
5	28442-Z0H-003	SPRING, RECOIL STARTER	1		
6	28451-Z0H-003	PULLEY, RECOIL STARTER	1		
7	28459-Z0H-003	ARM, SWING	1		
8	28461-ZM3-003	KNOB, RECOIL STARTER	1		
9	28462-ZM3-003	ROPE, RECOIL STARTER	1		
10	90012-ZM3-003	SCREW, SETTING	1		
11	90018-Z0H-003	BOLT, SOCKET, 5X16	1	----- UEDT,U2BT	
			3	----- UMST,UMT,UMTT,U2ST,U2T,U2TT	
12	91504-ZM3-003	COLLAR	1		
13	91506-ZM3-000	COLLAR A, HEAD COVER	3		

2



Ref. No.	L.O.N.	(Relative ref. Number) Description	F.R.T.
1	1141G8	COVER, ENGINE COOLING FANINCLUDES: Engine removal and installation	0.3
2	2121F7	CLUTCH, CENTRIFUGALINCLUDES: Engine removal and installation	0.5

Ref. No.	Part No.	Description	Reqd. QTY		Serial No.	Parts catalogue code
			UMK	435T		
1	19611-Z0Z-000	COVER, FAN	1			
2	22000-Z0Z-003	CLUTCH ASSY.	1			
	22000-Z3F-004	CLUTCH ASSY. (FCC)	1		1373007	UMST,UMTT,U2ST,U2TT
3	22253-Z0Z-003	BOLT, CLUTCH (8MM)	2		1373008	UMST,UMTT,U2ST,U2TT
	22253-Z3F-000	2			UMT,U2T
4	22254-ZM5-003	WASHER, CLUTCH (8X17)	2			UEDT,UMST,UMTT,U2BT,U2ST,U2TT
	22254-Z3F-000	2			UMT,U2T
5	22254-Z0Z-003	WASHER, WAVE (10MM)	2			UEDT,UMST,UMTT,U2BT,U2ST,U2TT
	22255-Z3F-000	2			UMT,U2T
6	90009-Z0H-003	BOLT, SOCKET, 5X20	3			UEDT,UMST,UMTT,U2BT,U2ST,U2TT

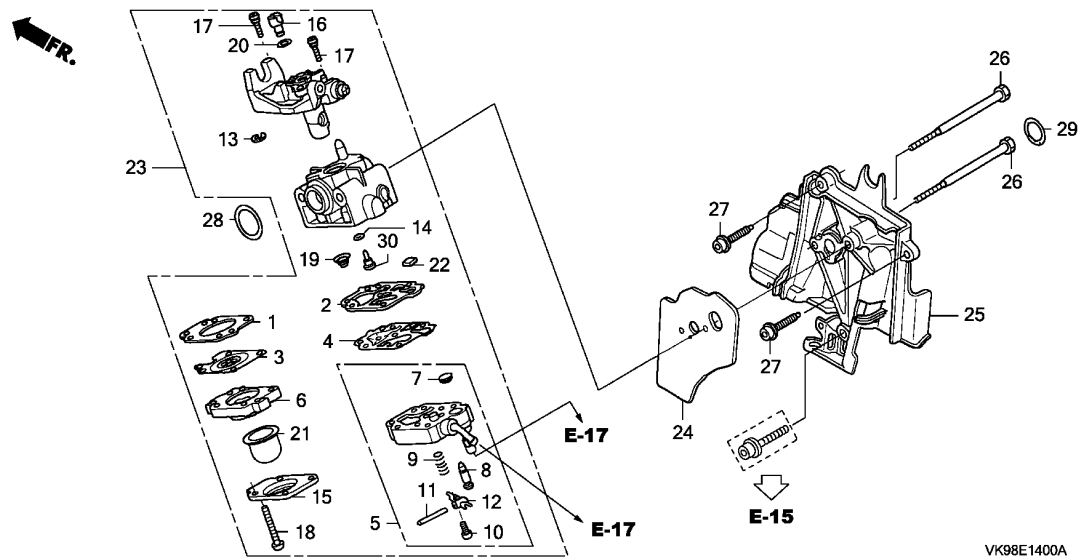


VK98E1400A

Ref. No.	L.O.N.	(Relative ref. Number) Description	F.R.T.
2		(19,22)	
3111B7		GASKET, CARBURETOR PUMP	0.4
5		(4,7)	
3111A0		BODY ASSEMBLY, PUMP	0.4
6		(1,3)	
3111A1		BODY, AIR PURGE	0.3
8		3111E3 VALVE, INLET NEEDLE	0.4
21		3111D5 PUMP, PRIMER	0.3
23		3111F3 CARBURETOR	0.2
24		3111C8 PACKING, CARBURETOR	0.2
25		(29)	
4141E3		SHROUD, ENGINE	0.2
28		3111C7 O-RING, CARBURETOR BODY	0.1
30		(14)	
3111C3		JET, MAIN	0.4

Ref. No.	Part No.	Description	Reqd. QTY	Serial No.	Parts catalogue code
			UMK 435T		
1	16010-ZM3-004	GASKET, METERING DIAPHRAGM ..	1		
2	16011-ZOH-013	GASKET, PUMP	1		
3	16013-ZOH-003	DIAPHRAGM ASSY., METERING ...	1		
4	16014-ZM3-004	DIAPHRAGM, PUMP	1		
5	16015-ZOH-013	BODY ASSY., PUMP	1	-----	UEDT,UMST,UMT,UMTT,U2ST,U2T,U2TT
	16015-Z3F-J42	1	-----	U2BT
6	16017-ZM3-004	BODY ASSY., AIR PURGE	1		
7	16018-ZM3-802	SCREEN, INLET	1		
8	16019-ZM3-004	VALVE, INLET NEEDLE	1		
9	16020-ZM3-004	SPRING, METERING LEVER	1		
10	16021-ZM3-004	SCREW, METERING LEVER PIN ...	1	-----	UEDT,UMST,UMT,UMTT,U2ST,U2T,U2TT
	16021-Z3F-J42	1	-----	U2BT
11	16022-ZM3-014	PIN, METERING LEVER	1		
12	16023-ZM3-004	LEVER, METERING	1		
13	16024-ZOH-003	RING, RETAINING	1		
14	16025-ZM3-004	O-RING	1		
15	16026-ZM3-004	COVER, PRIMER PUMP	1		
16	16027-ZM3-004	SWIVEL	1		
17	16028-ZM3-004	SCREW, THROTTLE COLLAR	2		
18	16029-ZM3-004	SCREW, PUMP COVER	4		
19	16030-ZM3-004	SPRING, PUMP	1		
20	16031-ZM3-004	WASHER	1		
21	16032-ZM3-004	PUMP, PRIMER	1		
22	16035-ZM3-802	FILTER, FUEL INLET	1		
23	16100-ZOZ-814	CARBURETOR ASSY. (WYB 14B) ..	1	-----	UMST,UMT,UMTT,U2ST,U2T,U2TT





VK98E1400A

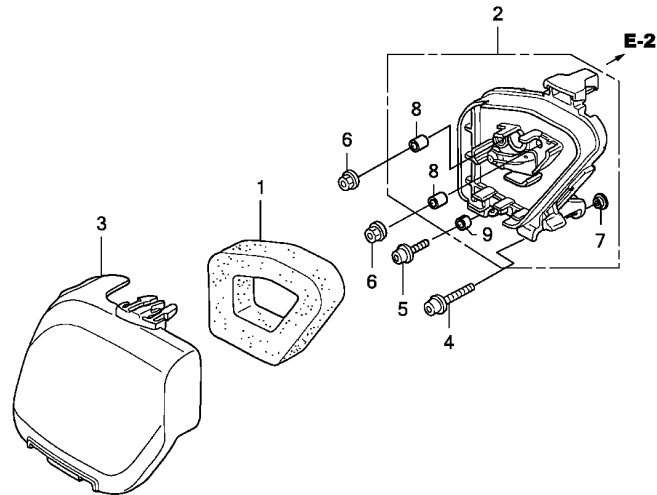
Ref. No.	Part No.	Description	Reqd. QTY		Serial No.	Parts catalogue code
			UMK	435T		
23)	16100-Z3F-J42	CARBURETOR ASSY. (WYB 31) ..	1		-----	U2BT
	16100-Z0Z-815	CARBURETOR ASSY. (WYB 14D) ..	1		-----	UEDT
24	16221-Z0Z-000	PACKING, CARBURETOR	1			
25	19631-Z0Z-010	SHROUD	1			
26	90014-Z0H-003	BOLT, 5X53	2			
27	90018-Z0H-003	BOLT, SOCKET, 5X16	2			
28	91301-ZM3-000	O-RING, 14.8X2.4	1			
29	91308-Z0H-003	O-RING, 12.3X2.4	1		-----	UMT,U2T
	91308-Z3E-000	1		-----	UEDT,UMST,UMTT,U2BT,U2ST,U2TT
30	99101-ZM5-0350	JET (#35)	(1)		-----	UEDT,UMST,UMT,UMTT,U2ST,U2T,U2TT
	99101-Z0Z-0360	JET (#36)	(1)			
	99101-Z0Z-0370	JET (#37)	1		-----	UEDT,UMST,UMT,UMTT,U2ST,U2T,U2TT
			(1)		-----	U2BT
	99101-Z0Z-0380	JET (#38)	1		-----	U2BT

E-15

AIR CLEANER

D10

FR.

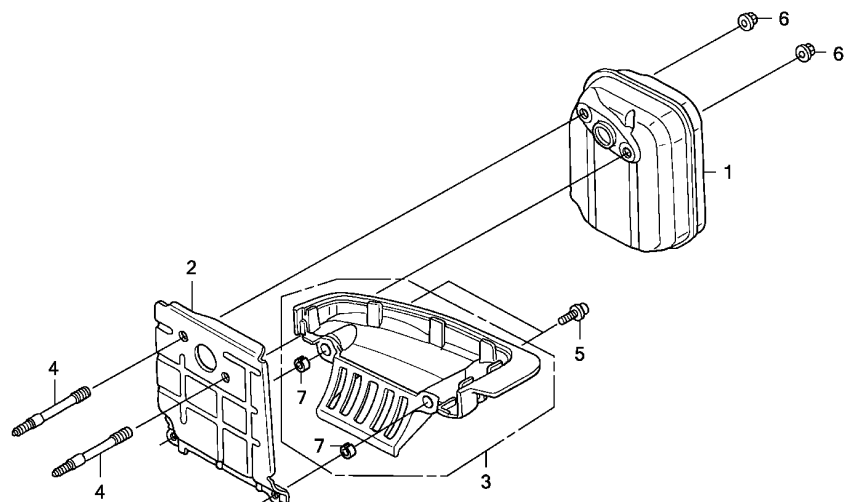


VK98E1500A

Ref. No.	L.O.N.	(Relative ref. Number) Description	F.R.T.
1	3121B8	ELEMENT, AIR CLEANERINCLUDES: Air cleaner element -inspection	0.1
2	3121A5	CASE, AIR CLEANER	0.1
3	3121B1	COVER, AIR CLEANER	0.1

Ref. No.	Part No.	Description	Reqd. QTY		Serial No.	Parts catalogue code
			UMK	435T		
1	17211-Z0Z-000	ELEMENT, AIR CLEANER	1			
2	17220-Z0Z-000	CASE COMP., AIR CLEANER	1			
3	17231-Z0Z-000	COVER, AIR CLEANER	1		-----	UMST,UMT,UMTT,U2ST,U2T,U2TT
	17231-Z0Z-010	1		-----	UEDT,U2BT
4	90009-Z0Z-003	BOLT, SOCKET, 5X25	1			
5	90018-Z0H-003	BOLT, SOCKET, 5X16	1			
6	94050-05000	NUT, FLANGE, 5MM	2			
7	91501-Z0Z-000	COLLAR, AIR CLEANER CASE	1			
8	91503-ZM3-000	COLLAR, AIR CLEANER	2			
9	91506-ZM3-000	COLLAR A, HEAD COVER	1			

2

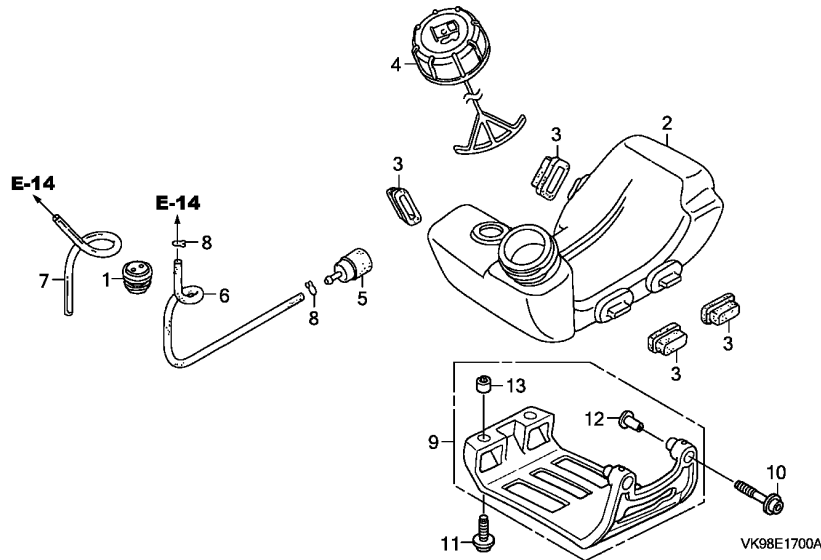


VK98E1600A

Ref. No.	L.O.N.	(Relative ref. Number) Description	F.R.T.
1	3131C5	MUFFLER, EXHAUST	0.1
2	3131B6	GUIDE, AIR EXHAUST	0.1
3	3131G8	GUIDE, AIR EXHAUST :UNDER	0.1



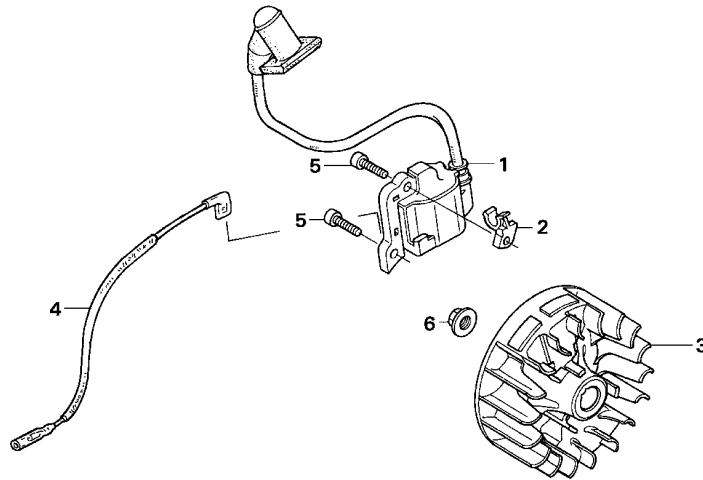
Ref. No.	Part No.	Description	Reqd. QTY	Serial No.	Parts catalogue code
			UMK 435T		
1	18310-Z0Z-010	MUFFLER COMP.	1		
2	18515-Z0Z-300	GUIDE, AIR	1		
3	18518-Z0Z-020	GUIDE COMP., UNDER AIR	1		
4	90001-Z0Z-003	BOLT, STUD, 5X56.5	2	----- UMT,U2T	
	90001-Z0Z-013	2	----- UEDT,UMST,UMTT,U2BT,U2ST,U2TT	
5	90018-Z0H-003	BOLT, SOCKET, 5X16	2		
6	90136-SM4-901	NUT, SELF-LOCK, 5MM	2		
7	91506-ZM3-000	COLLAR A, HEAD COVER	2		



Ref. No.	L.O.N.	(Relative ref. Number) Description	F.R.T.
1	3101J0	GROMMET, FUEL TUBE	0.2
2	3101H7	TANK, FUEL	0.2
5	3101A6	FILTER, FUEL	0.2
6	3101F1	TUBE, FUEL TANK	0.2
7	3101L8	TUBE, FUEL RETURN	0.2

Ref. No.	Part No.	Description	Reqd. QTY		Serial No.	Parts catalogue code
			UMK	435T		
1	17504-ZM3-003	GROMMET, FUEL TUBE	1			
2	17511-Z02-013	TANK, FUEL	1			
3	17533-Z0H-000	RUBBER, TANK MOUNTING	4			
4	17620-ZM3-816	CAP ASSY., FUEL TANK	1		UMST,UMT,UMTT,U2ST,U2T,U2TT	
	17620-ZM3-817	1		UEDT,U2BT	
5	17672-Z0H-003	FILTER, FUEL	1			
6	17701-Z02-000	TUBE, FUEL TANK	1			
7	17702-Z02-J31	TUBE, FUEL RETURN	1		UMST,UMT,UMTT,U2BT,U2ST,U2T,U2TT	
	17702-Z02-000	1		UEDT	
8	91401-ZM3-003	CLIP, TUBE	2			
9	17555-Z02-000	GUARD, TANK	1		UEDT,U2BT	
10	90010-Z0H-003	BOLT, SOCKET, 5X30	2		UEDT,U2BT	
11	90018-Z0H-003	BOLT, SOCKET, 5X16	2		UEDT,U2BT	
12	91501-Z0H-000	COLLAR, TANK GUARD	2		UEDT,U2BT	
13	91506-ZM3-000	COLLAR A, HEAD COVER	2		UEDT,U2BT	





Ref. No.	L.O.N.	(Relative ref. Number) Description	F.R.T.
1	6141A5	COIL, IGNITION(ONE)INCLUDES: Engine removal and installation	0.3
3	2161B5	FLYWHEELINCLUDES: Engine removal and installation	0.6
4	6111B3	CORD, STOP SWITCHINCLUDES: Engine removal and installation	0.1

VK98-E1900

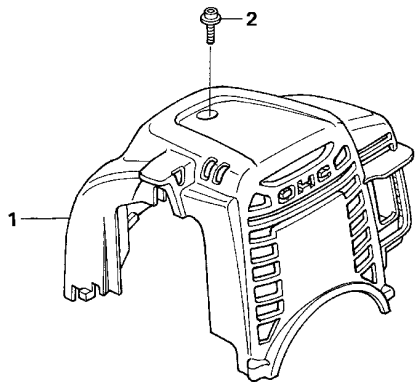
Ref. No.	Part No.	Description	Reqd. QTY		Serial No.	Parts catalogue code
			UMK	435T		
1	30500-Z0Z-013	COIL ASSY., IGNITION	1	-----	-----	UMT,U2T
	30500-Z3F-003	1	-----	-----	UMST,UMTT,U2ST,U2TT
	30500-Z3F-013	1	-----	-----	UEDT,U2BT
2	30522-Z0Z-000	CLIP, HIGH TENSION CORD	1	-----	-----	UMT,U2T
	30522-Z3F-000	1	-----	-----	UEDT,UMST,UMTT,U2BT,U2ST,U2TT
3	31110-Z0Z-003	FLYWHEEL COMP.	1	-----	-----	UMT,U2T
	31110-Z3F-003	1	-----	-----	UEDT,UMST,UMTT,U2BT,U2ST,U2TT
4	32195-Z0Z-J00	CORD, STOP SWITCH	1	-----	-----	
5	90012-Z0H-005	BOLT, SOCKET, 4X14	2	-----	-----	UMT,U2T
			2	-----	1088910	UMST,UMTT,U2ST,U2TT
	90012-Z3E-003	2	-----	-----	UEDT,U2BT
			2	-----	1088911	UMST,UMTT,U2ST,U2TT
6	94050-08000	NUT, FLANGE, 8MM	1	-----	-----	

E-27

TOP COVER

D14

FR.



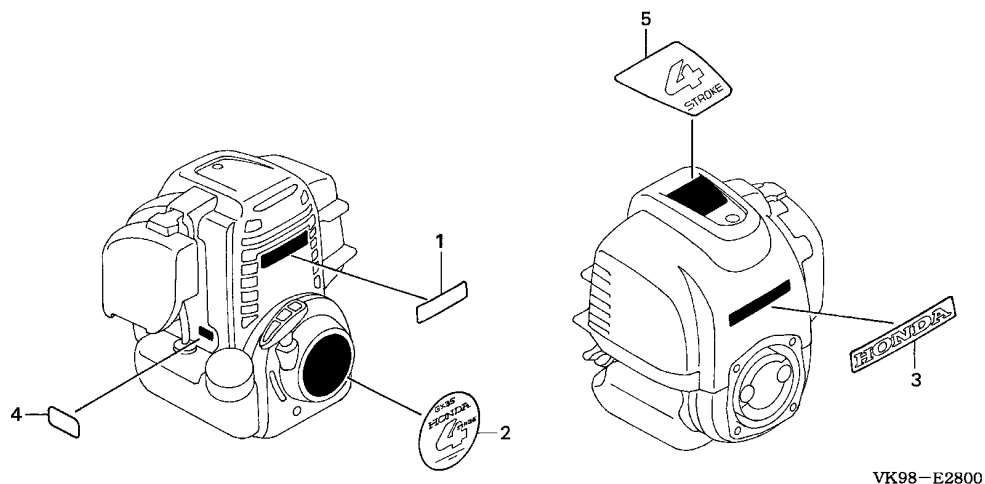
VK98-E2700

Ref. No.	L.O.N.	(Relative ref. Number) Description	F.R.T.
----------	--------	------------------------------------	--------

1	1111D6	COVER, ENGINE TOP	0.1
---	--------	-------------------------	-----

Ref. No.	Part No.	Description	Reqd. QTY		Serial No.	Parts catalogue code
			UMK	435T		
1	19720-Z0Z-000ZA	COVER COMP., TOP				
		R280.....POWER RED	1			
2	90015-Z0H-003	BOLT, TOP COVER	1			

2

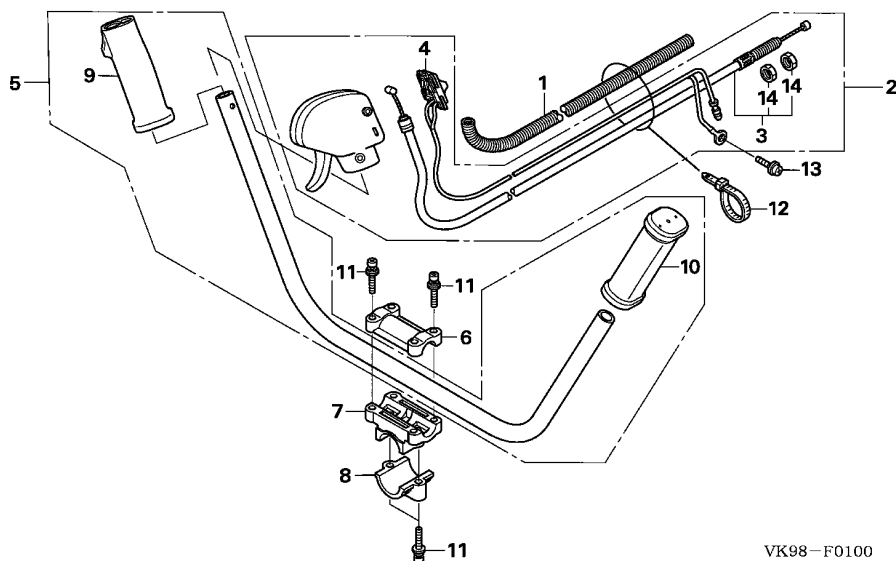


VK98-E2800

Ref. L.O.N. (Relative ref. Number) F.R.T.
No. Description

NO INFORMATION

Ref. No.	Part No.	Description	Reqd. QTY		Serial No.	Parts catalogue code
			UMK	435T		
1	87135-ZE2-020	LABEL, E-SPEC (15.5X27.5) ...	1	-----	1240539	UMT,U2T
2	87521-Z0Z-000	MARK, EMBLEM	1	-----	-----	UMT,U2T
	87521-Z3F-000	1	-----	1247375	UMST,UMTT,U2ST,U2TT
	87521-Z3F-010	1	-----	-----	UEDT,U2BT
			1	-----	1247376	UMST,UMTT,U2ST,U2TT
3	87531-Z0Z-000	MARK, HONDA	1	-----	-----	UEDT
4	87601-Z0H-J30	MARK, TYPE (GY2)	1	-----	-----	U2BT
	87601-Z0H-J40	MARK, TYPE (GY3)	1	-----	-----	UMT,U2T
	87601-Z0Z-J60	MARK, TYPE (GY5)	1	-----	-----	UMST,UMTT,U2ST,U2TT
	87601-Z3F-J80	MARK, TYPE (GY7)	1	-----	-----	UMST,UMTT,U2ST,U2TT
5	87660-Z0Z-J00	MARK (4-STROKE)	1	-----	-----	-----



Ref. No.	L.O.N.	(Relative ref. Number) Description	F.R.T.
1	8111F5	TUBE, CORRUGATE	0.1
2	8101N3	LEVER ASSEMBLY, THROTTLE	0.4
3	8111C8	CABLE, THROTTLE	0.4
4	6151D9	SWITCH, ENGINE STOP	0.4
5	8101AG	PIPE ASSEMBLY, HANDLE	0.3
7		(6,8)	
	8101N6	HOLDER, HANDLE	0.1
9	4131E1	GRIP, HANDLE :RIGHT	0.5
10	4131E0	GRIP, HANDLE :LEFT	0.1

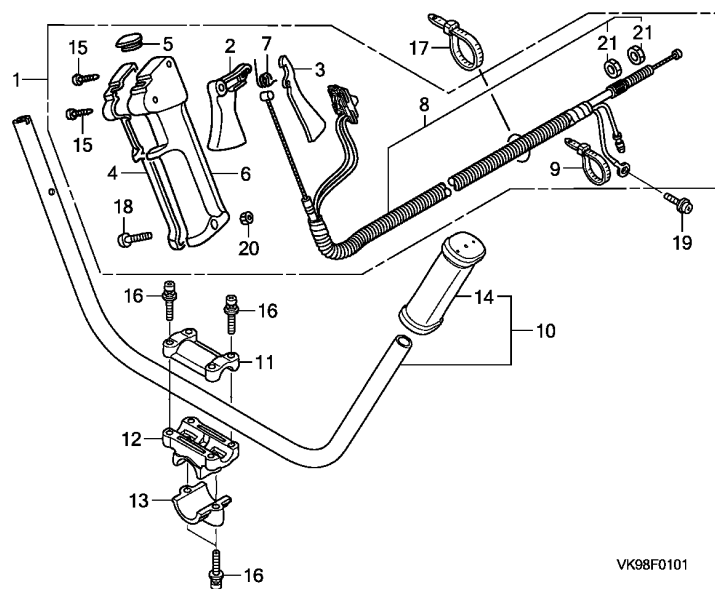
Ref. No.	Part No.	Description	Reqd. QTY		Serial No.	Parts catalogue code
			UMK	435T		
1	17735-VK9-A00	TUBE, CORRUGATE	1	-----	-----	UMST,UMT,UMTT,U2ST,U2T,U2TT
2	17850-VK9-A01	LEVER ASSY., THROTTLE	1	-----	-----	UMST,UMT,UMTT,U2ST,U2T,U2TT
3	17910-VK9-A00	CABLE COMP., THROTTLE	1	-----	-----	UMST,UMT,UMTT,U2ST,U2T,U2TT
4	35120-VK9-A01	SWITCH ASSY., ENGINE STOP	1	-----	-----	UMST,UMT,UMTT,U2ST,U2T,U2TT
5	53100-VK9-A00	PIPE ASSY., HANDLE	1	-----	-----	UMST,UMT,UMTT,U2ST,U2T,U2TT
6	53136-VK9-A01	HOLDER A, HANDLE	1	-----	-----	UMST,UMT,UMTT,U2ST,U2T,U2TT
7	53137-VK9-A01	HOLDER B, HANDLE	1	-----	-----	UMST,UMT,UMTT,U2ST,U2T,U2TT
8	53138-VK9-A01	HOLDER C, HANDLE	1	-----	-----	UMST,UMT,UMTT,U2ST,U2T,U2TT
9	53165-VK9-A00	GRIP, R. HANDLE	1	-----	-----	UMST,UMT,UMTT,U2ST,U2T,U2TT
10	53166-VK9-A00	GRIP, L. HANDLE	1	-----	-----	UMST,UMT,UMTT,U2ST,U2T,U2TT
11	90104-VK9-A01	BOLT, SOCKET, 6X30	6	-----	-----	UMST,UMT,UMTT,U2ST,U2T,U2TT
12	90651-MA6-720	BAND, WIRE HARNESS	1	-----	-----	UMST,UMT,UMTT,U2ST,U2T,U2TT
13	93893-05010-00	SCREW-WASHER, 5X10	1	-----	-----	UMST,UMT,UMTT,U2ST,U2T,U2TT
14	94002-06000-0S	NUT, HEX., 6MM	2	-----	-----	UMST,UMT,UMTT,U2ST,U2T,U2TT



F-1-1

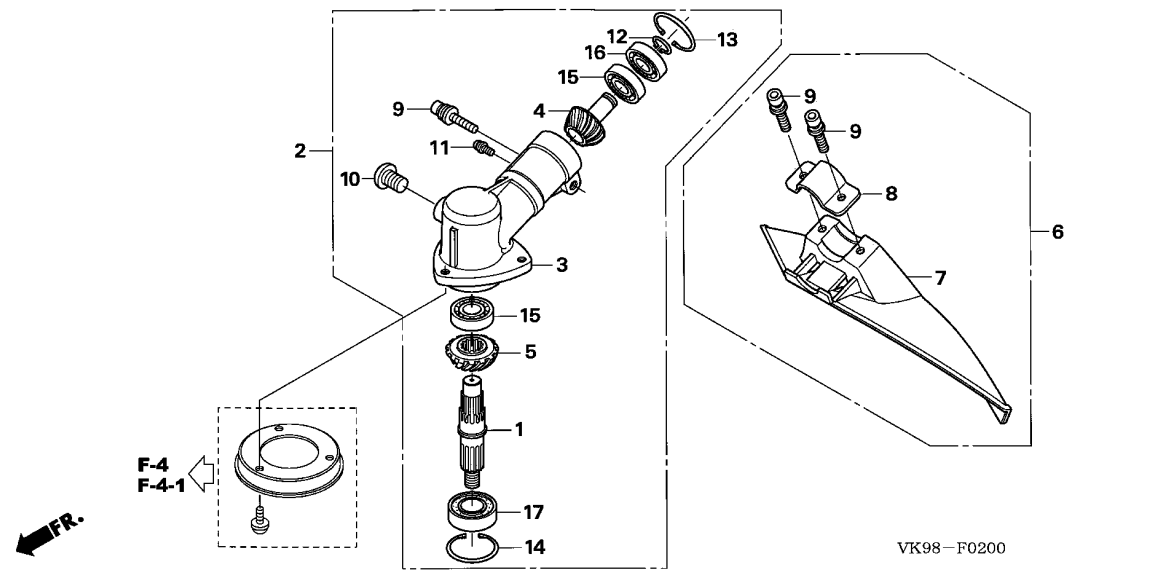
HANDLE PIPE/THROTTLE LEVER(2)

E 2



Ref. No.	L.O.N.	(Relative ref. Number) Description	F.R.T.
1	8101N3	LEVER ASSEMBLY, THROTTLE	0.4
2	8101H1	LEVER, THROTTLE	0.3
4	8101P5	GRIP, THROTTLE LEVER :RIGHT ..	0.3
6	8101P4	GRIP, THROTTLE LEVER :LEFT ...	0.3
8	6111G4	HARNES, THROTTLE WIRE	0.4
10	8101J5	PIPE, HANDLE	0.3
12	8101W0	HOLDER B, HANDLE	0.1
14	4131E0	GRIP, HANDLE :LEFT	0.1

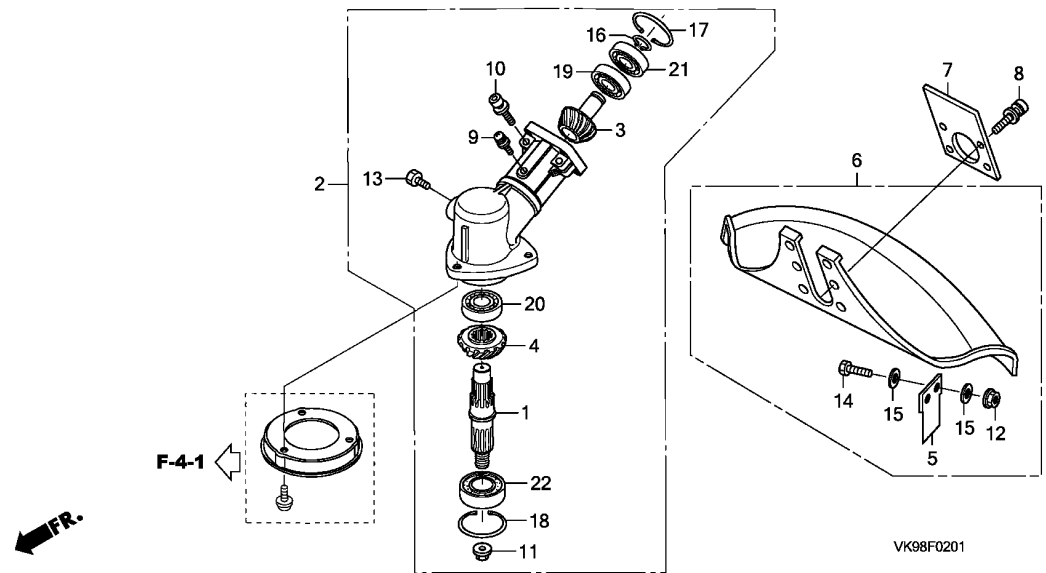
Ref. No.	Part No.	Description	Reqd. QTY		Serial No.	Parts catalogue code
			UMK	435T		
1	17850-VK9-L01	LEVER ASSY., THROTTLE	1	-----	-----	UEDT,U2BT
2	17851-VH8-761	LEVER, THROTTLE (YELLOW)	1	-----	-----	UEDT,U2BT
3	17852-VJ8-C01	LEVER, THROTTLE LOCK	1	-----	-----	UEDT,U2BT
4	17853-VF9-V31	GRIP, R. THROTTLE LEVER	1	-----	-----	UEDT,U2BT
5	17854-VF9-V31	CAP, THROTTLE LEVER	1	-----	-----	UEDT,U2BT
6	17856-VF9-V31	GRIP, L. THROTTLE LEVER	1	-----	-----	UEDT,U2BT
7	17859-VF9-V31	SPRING, THROTTLE LEVER	1	-----	-----	UEDT,U2BT
8	32100-VK9-L01	HARNES ASSY., WIRE	1	-----	-----	UEDT,U2BT
9	35122-VK9-L01	BAND	1	-----	-----	UEDT,U2BT
10	53100-VK9-L00	PIPE ASSY., HANDLE	1	-----	-----	UEDT,U2BT
11	53136-VK9-A01	HOLDER A, HANDLE	1	-----	-----	UEDT,U2BT
12	53137-VK9-A01	HOLDER B, HANDLE	1	-----	-----	UEDT,U2BT
13	53138-VK9-A01	HOLDER C, HANDLE	1	-----	-----	UEDT,U2BT
14	53166-VK9-A00	GRIP, L. HANDLE	1	-----	-----	UEDT,U2BT
15	90101-VF9-V31	SCREW, TAPPING, 4X20	2	-----	-----	UEDT,U2BT
16	90104-VK9-A01	BOLT, SOCKET, 6X30	6	-----	-----	UEDT,U2BT
17	90651-MA6-720	BAND, WIRE HARNES	1	-----	-----	UEDT,U2BT
18	93500-05030-0G	SCREW, PAN, 5X30	1	-----	-----	UEDT,U2BT
19	93893-05010-00	SCREW-WASHER, 5X10	1	-----	-----	UEDT,U2BT
20	94002-05070-0S	NUT, HEX., 5MM	1	-----	-----	UEDT,U2BT
21	94002-06000-0S	NUT, HEX., 6MM	2	-----	-----	UEDT,U2BT



Ref. No.	L.O.N.	(Relative ref. Number) Description	F.R.T.
1	2091J8	SHAFT, CUTTER BLADE GEAR	0.8
2	2161B0	CASE ASSEMBLY, CUTTER BLADE GEAR	0.2
3	2161B1	CASE, CUTTER BLADE GEAR	0.6
4	2091K2	PINION, CUTTER BLADE GEAR	0.4
5	2091J9	GEAR, CUTTER BLADE BEVEL	0.7
7	4151B8	DEFLECTOR, GRASS	0.1
15	2091K1	BEARING, CUTTER BLADE GEAR SHAFT :UPPER	0.7
	2091K3	BEARING, CUTTER BLADE GEAR PINION :INNER	0.4
16	2091K4	BEARING, CUTTER BLADE GEAR PINION :OUTER	0.4
17	2091K0	BEARING, CUTTER BLADE GEAR SHAFT :LOWER	0.7

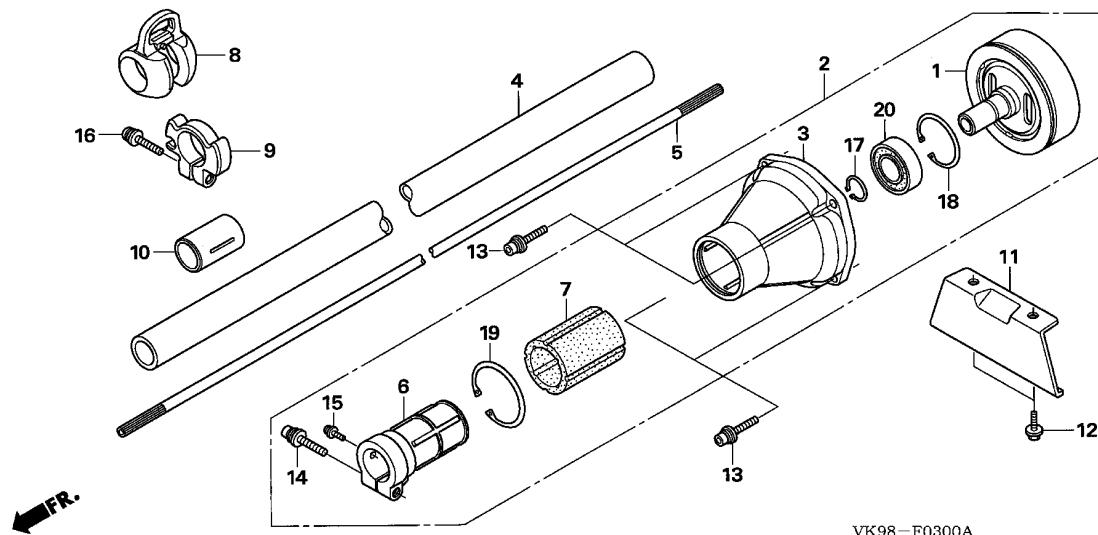
Ref. No.	Part No.	Description	Reqd. QTY	Serial No.	Parts catalogue code
			UMK 435T		
1	23326-VK9-A02	SHAFT, GEAR	1	-----	UMST,UMT,UMTT,U2BT,U2ST,U2T,U2TT
2	41100-VK9-A02	CASE COMP., GEAR	1	-----	UMST,UMT,UMTT,U2BT,U2ST,U2T,U2TT
3	41101-VK9-A01	CASE, GEAR	1	-----	UMST,UMT,UMTT,U2BT,U2ST,U2T,U2TT
4	41131-VK9-A01	PINION, BEVEL	1	-----	UMST,UMT,UMTT,U2BT,U2ST,U2T,U2TT
5	41141-VK9-A01	GEAR, BEVEL	1	-----	UMST,UMT,UMTT,U2BT,U2ST,U2T,U2TT
6	76200-VK9-A01	DEFLECTOR ASSY., GRASS	1	-----	UMST,UMT,UMTT,U2BT,U2ST,U2T,U2TT
7	76245-VK9-A01	DEFLECTOR COMP., GRASS	1	-----	UMST,UMT,UMTT,U2BT,U2ST,U2T,U2TT
8	76248-VK9-A01	HOLDER, PROTECTOR	1	-----	UMST,UMT,UMTT,U2BT,U2ST,U2T,U2TT
9	90104-VK9-A01	BOLT, SOCKET, 6X30	3	-----	UMST,UMT,UMTT,U2BT,U2ST,U2T,U2TT
10	90115-VK9-A01	BOLT, SOCKET, 10X12	1	-----	UMST,UMT,UMTT,U2BT,U2ST,U2T,U2TT
11	93893-05010-00	SCREW-WASHER, 5X10	1	1003018	UMST,UMT,UMTT,U2ST,U2T,U2TT
	90105-VK9-A01	SCREW, TAPPING, 5X10	1	-----	U2BT
			1	1003019	UMST,UMT,UMTT,U2ST,U2T,U2TT
12	94510-12000	CIRCLIP, EXTERNAL, 12MM	1	-----	UMST,UMT,UMTT,U2BT,U2ST,U2T,U2TT
13	94520-28000	CIRCLIP, INTERNAL, 28MM	1	-----	UMST,UMT,UMTT,U2BT,U2ST,U2T,U2TT
14	94520-35000	CIRCLIP, INTERNAL, 35MM	1	-----	UMST,UMT,UMTT,U2BT,U2ST,U2T,U2TT
15	96100-60010-00	BEARING, RADIAL BALL, 6001 ..	2	-----	UMST,UMT,UMTT,U2BT,U2ST,U2T,U2TT
16	96120-60010-00	BEARING, RADIAL BALL, 6001 ..	1	-----	UMST,UMT,UMTT,U2BT,U2ST,U2T,U2TT
17	96150-62020-10	BEARING, RADIAL BALL, 6202UU	1	-----	UMST,UMT,UMTT,U2BT,U2ST,U2T,U2TT





Ref. No.	L.O.N.	(Relative ref. Number) Description	F.R.T.
1	2091J8	SHAFT, CUTTER BLADE GEAR	0.8
2	2161B0	CASE ASSEMBLY, CUTTER BLADE GEAR	0.2
3	2091K2	PINION, CUTTER BLADE GEAR	0.4
4	2091J9	GEAR, CUTTER BLADE BEVEL	0.7
6	4151B8	DEFLECTOR, GRASS	0.1
19	2091K3	BEARING, CUTTER BLADE GEAR PINION :INNER	0.4
20	2091K1	BEARING, CUTTER BLADE GEAR SHAFT :UPPER	0.7
21	2091K4	BEARING, CUTTER BLADE GEAR PINION :OUTER	0.4
22	2091K0	BEARING, CUTTER BLADE GEAR SHAFT :LOWER	0.7

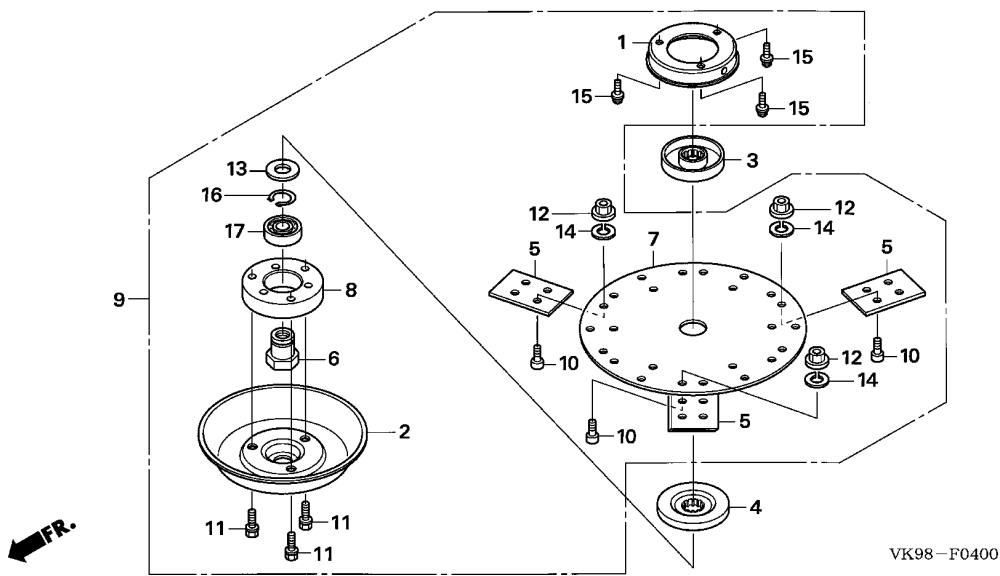
Ref. No.	Part No.	Description	Reqd. QTY	Serial No.	Parts catalogue code
			UMK 435T		
1	23326-VK9-A02	SHAFT, GEAR	1	-----	UEDT
2	41100-VK9-L01	CASE COMP., GEAR	1	-----	UEDT
3	41131-VK9-A01	PINION, BEVEL	1	-----	UEDT
4	41141-VK9-A01	GEAR, BEVEL	1	-----	UEDT
5	72571-VK9-L01	PLATE, NYLON CUTTING	1	-----	UEDT
6	76200-VK9-L01	DEFLECTOR ASSY., GRASS	1	-----	UEDT
7	76248-VK9-L01	HOLDER, PROTECTOR	1	-----	UEDT
8	90101-VK9-L01	BOLT, SOCKET, 5X20	4	-----	UEDT
9	90102-VK9-L01	SCREW-WASHER, 5X14	1	-----	UEDT
10	90103-VK9-L01	BOLT, SOCKET, 6X25	2	-----	UEDT
11	90301-VK9-A01	NUT, FLANGE, 10MM	1	-----	UEDT
12	90301-VK9-L01	NUT, LOCK, 6MM	2	-----	UEDT
13	92201-06008-0A	BOLT, HEX., 6X8	1	-----	UEDT
14	92201-06020-0A	BOLT, HEX., 6X20	2	-----	UEDT
15	94101-06000	WASHER, PLAIN, 6MM	4	-----	UEDT
16	94510-12000	CIRCLIP, EXTERNAL, 12MM	1	-----	UEDT
17	94520-28000	CIRCLIP, INTERNAL, 28MM	1	-----	UEDT
18	94520-35000	CIRCLIP, INTERNAL, 35MM	1	-----	UEDT
19	96100-60010-00	BEARING, RADIAL BALL, 6001 ..	1	-----	UEDT
20	96100-60013-00	BEARING, RADIAL BALL, 6001 ..	1	-----	UEDT
21	96120-60010-00	BEARING, RADIAL BALL, 6001 ..	1	-----	UEDT
22	96150-62020-10	BEARING, RADIAL BALL, 6202UU	1	-----	UEDT



VK98-F0300A

Ref. No.	L.O.N.	(Relative ref. Number) Description	F.R.T.
1	2121C0	OUTER, CLUTCHINCLUDES: Engine removal and installation	0.4
2	2121E8	HOUSING ASSEMBLY, CLUTCHINCLUDES: Engine removal and installation	0.3
3	2121B6	HOUSING, CLUTCHINCLUDES: Engine removal and installation	0.7
4	4101M4	PIPE, FRAMEINCLUDES: Engine removal and installation	0.5
5	2131J5	SHAFT, DRIVEINCLUDES: Engine removal and installation	0.2
6	4101C3	BRACKET, ENGINE MOUNTINGINCLUDES: Engine removal and installation	0.6
7	4101Q9	RUBBER, ENGINE MOUNTINGINCLUDES: Engine removal and installation	0.6
20	2121E7	BEARING, CLUTCH OUTERINCLUDES: Engine removal and installation	0.5

Ref. No.	Part No.	Description	Reqd. QTY		Serial No.	Parts catalogue code
			UMK	435T		
1	22100-VK9-A02	OUTER COMP., CLUTCH	1			
2	22260-VK9-A02	HOUSING ASSY., CLUTCH	1			
3	22261-VK9-A01	HOUSING, CLUTCH (A)	1			
4	40230-VK9-A00	PIPE ASSY., FRAME	1		UMST,UMT,UMTT,U2BT,U2ST,U2T,U2TT	
	40230-VK9-L00	1		UEDT	
5	41411-VK9-A00	SHAFT, DRIVE	1			
6	50225-VK9-A01	BRACKET, ENGINE MOUNTING	1			
7	50237-VK9-A01	RUBBER, ENGINE MOUNTING	1			
8	50374-VK9-A00	HANGER (A)	1			
9	50376-VK9-A00	HANGER (B)	1			
10	50378-VK9-A00	HANGER (C)	1			
11	51511-VK9-A00	STAND	1		UMST,UMT,UMTT,U2ST,U2T,U2TT	
12	90011-VK9-A01	BOLT, TAPPING, 5X12	2		UMST,UMT,UMTT,U2ST,U2T,U2TT	
13	90102-VK9-A01	BOLT, SOCKET, 6X20	4			
14	90104-VK9-A01	BOLT, SOCKET, 6X30	1			
15	93893-05010-00	SCREW-WASHER, 5X10	1		1003018	UMST,UMT,UMTT,U2ST,U2T,U2TT
	90105-VK9-A01	SCREW, TAPPING, 5X10	1		UEDT,U2BT	
			1		1003019	UMST,UMT,UMTT,U2ST,U2T,U2TT
16	93893-05020-07	SCREW-WASHER, 5X20	1			
17	94510-15000	CIRCLIP, EXTERNAL, 15MM	1			
18	94520-35000	CIRCLIP, INTERNAL, 35MM	1			
19	94520-45000	CIRCLIP, INTERNAL, 45MM	1			
20	96130-62020-10	BEARING, RADIAL BALL, 6202 ..	1			



Ref. No.	L.O.N.	(Relative ref. Number) Description	F.R.T.
3	2161B8	HOLDER, BLADE	0.2
5	2161A4	BLADE, CUTTER	0.1
	2161A4A	.Replace one cutter blade add	0.1
	2161N0	BLADE, CUTTER :ALL	0.2
7	2161M9	PLATE, BLADE HOLDER	0.3
8		(17)	
	7101C6	HOLDER, BEARING	0.3
9	2161N2	MOWING SET	0.2

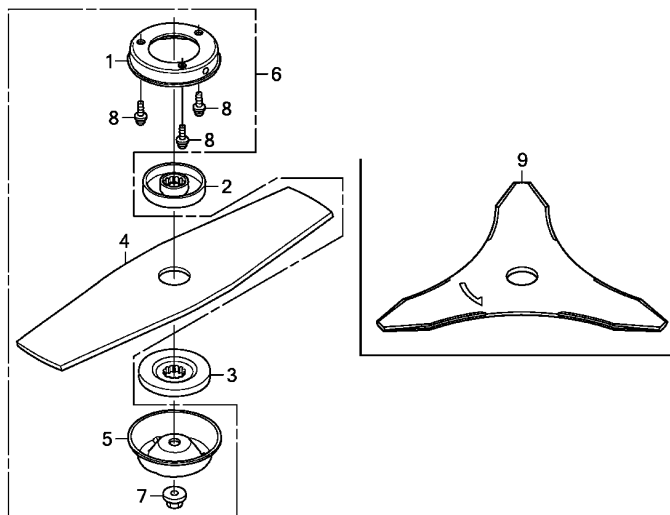
VK98-F0400

Ref. No.	Part No.	Description	Reqd. QTY	Serial No.	Parts catalogue code
			UMK 435T		
1	21911-VK9-A01	GUARD, GRASS	1	-----	UMST,UMT,UMTT
2	21914-VK9-A31	GUARD, GRASS (C)	1	-----	UMST,UMT,UMTT
3	41125-VK9-A01	HOLDER A, BLADE	1	-----	UMST,UMT,UMTT
4	41126-VK9-A01	HOLDER B, BLADE	1	-----	UMST,UMT,UMTT
5	72511-VK9-A31	BLADE	3	-----	UMST,UMT,UMTT
6	72512-VK9-A31	PIN, 10MM	1	-----	UMST,UMT,UMTT
7	72615-VK9-A31	PLATE, BLADE HOLDER	1	-----	UMST,UMT,UMTT
8	72624-VK9-A31	HOLDER, BEARING	1	-----	UMST,UMT,UMTT
9	72800-VK9-A31	MOWING SET	1	-----	UMST,UMT,UMTT
10	90013-VK9-A31	BOLT, SOCKET, 6X12	6	-----	UMST,UMT,UMTT
11	90114-VK9-A31	BOLT-WASHER, 6X16	3	-----	UMST,UMT,UMTT
12	90301-VK9-A31	NUT, U, 6MM	6	-----	UMST,UMT,UMTT
13	90401-VK9-A31	WASHER	1	-----	UMST,UMT,UMTT
14	90501-VK9-A31	WASHER, SPRING, 6MM	6	-----	UMST,UMT,UMTT
15	93893-05010-00	SCREW-WASHER, 5X10	3	-----	1003018 UMST,UMT,UMTT
	90105-VK9-A01	SCREW, TAPPING, 5X10	3	1003019	----- UMST,UMT,UMTT
16	94510-15000	CIRCLIP, EXTERNAL, 15MM	1	-----	UMST,UMT,UMTT
17	96130-62020-10	BEARING, RADIAL BALL, 6202 ..	1	-----	UMST,UMT,UMTT

F-4-1

BLADE(2)

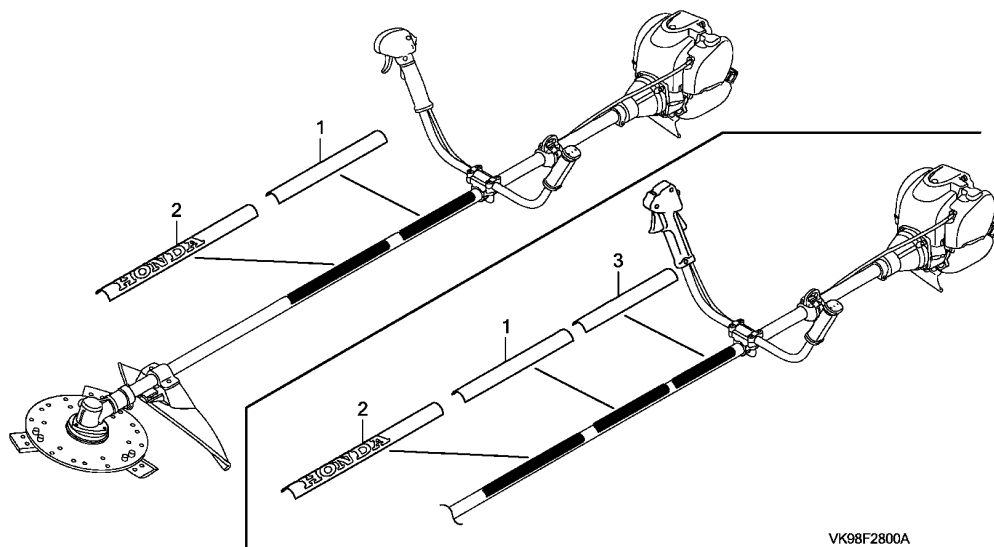
E 7



Ref. No.	L.O.N.	(Relative ref. Number) Description	F.R.T.
2	2161B9	HOLDER, BLADE(A) (9)	0.1
4	2161A4	BLADE, CUTTER	0.1
6	2161N1	BLADE SET, CUTTER	0.1

Ref. No.	Part No.	Description	Reqd. QTY	Serial No.	Parts catalogue code
			UMK 435T		
1	21911-VK9-A01	GUARD, GRASS	1	-----	U2BT,U2ST,U2T,U2TT
	21911-VK9-L01	1	-----	UEDT
2	41125-VK9-A01	HOLDER A, BLADE	1	-----	UEDT,U2BT,U2ST,U2T,U2TT
3	41126-VK9-A01	HOLDER B, BLADE	1	-----	UEDT,U2BT,U2ST,U2T,U2TT
4	72511-VK9-A01	BLADE (2-TEETH)	1	-----	U2BT,U2ST,U2T,U2TT
5	72623-VK9-A01	COVER, BOLT	1	-----	UEDT,U2BT,U2ST,U2T,U2TT
6	72800-VK9-A01	BLADE SET (2BLADE)	1	-----	U2BT,U2ST,U2T,U2TT
7	90301-VK9-A01	NUT, FLANGE, 10MM	1	-----	U2BT,U2ST,U2T,U2TT
8	93893-05010-00	SCREW-WASHER, 5X10	3	1003018	U2ST,U2T,U2TT
	90105-VK9-A01	SCREW, TAPPING, 5X10	3	-----	UEDT,U2BT
			3	1003019	U2ST,U2T,U2TT
9	72511-VK9-L01	BLADE, CUTTER (3-TEETH)	1	-----	UEDT

3

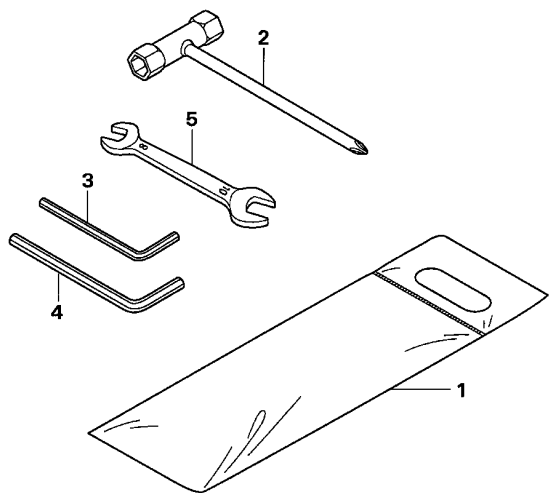


Ref. No.	L.O.N.	(Relative ref. Number)	Description	F.R.T.
----------	--------	------------------------	-------------	--------

NO INFORMATION

3

Ref. No.	Part No.	Description	Reqd. QTY		Serial No.	Parts catalogue code
			UMK	435T		
1	87150-VF9-A00	MARK, CAUTION	1			
2	87521-VK9-A00	MARK, EMBLEM	1			
3	87594-VF9-L00	MARK, OIL CAUTION	1		-----	UEDT,U2BT



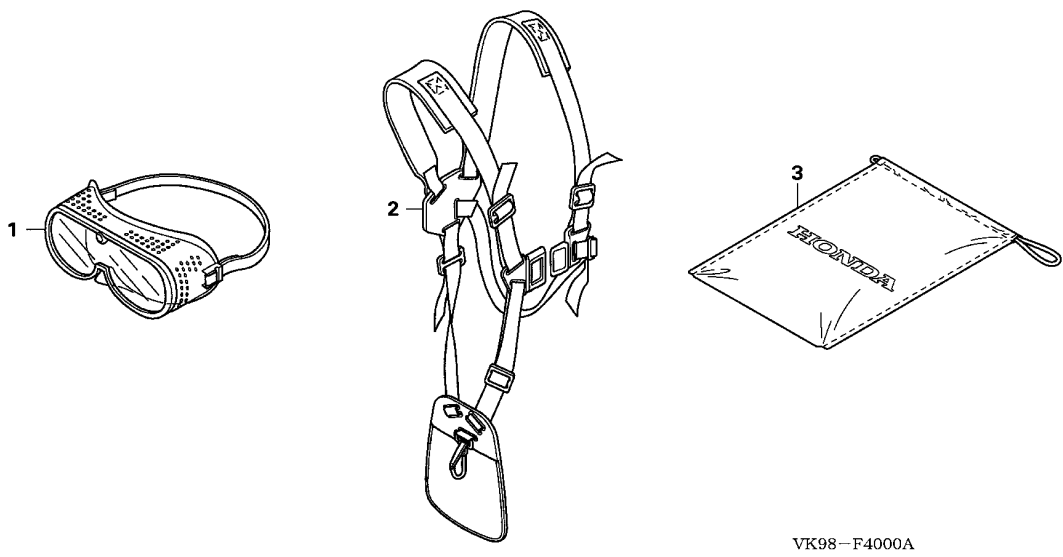
VK98-F2900A

Ref. No.	L.O.N.	(Relative ref. Number) Description	F.R.T.
----------	--------	------------------------------------	--------

NO INFORMATION

Ref. No.	Part No.	Description	Reqd. QTY		Serial No.	Parts catalogue code
			UMK	435T		
1	89101-VK9-A01	BAG, TOOL	1			
2	89216-VK9-A01	WRENCH, BOX (P16X17)	1			
3	89221-KW3-000	WRENCH, HEX., 4MM	1			
4	89221-MJ4-000	WRENCH, HEX., 5MM	1			
5	89226-KW7-900	SPANNER, 8X10	1			





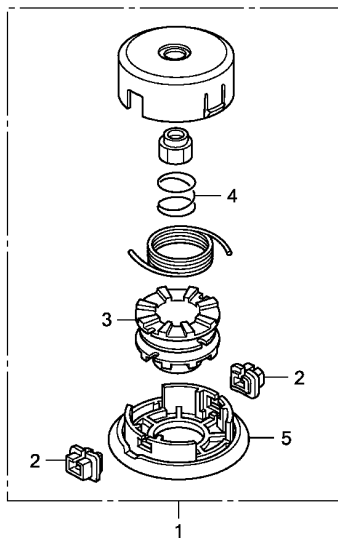
VK98-F4000A

Ref. No.	L.O.N.	(Relative ref. Number) Description	F.R.T.
----------	--------	---------------------------------------	--------

NO INFORMATION

3

Ref. No.	Part No.	Description	Reqd. QTY	Serial No.	Parts catalogue code
			UMK 435T		
1	60156-VK9-A01	SCREEN, DUST	1		
2	68150-VK9-A01	BELT ASSY., SHOULDER	1		
3	89104-VK9-A00	CARRY BAG	1		



VK98F4001

Ref. No.	L.O.N.	(Relative ref. Number) Description	F.R.T.
1	2161G7	CUTTER, NYLON	0.1
3	2161J3	(4) SPOOL, NYLON CUTTER	0.2

Ref. No.	Part No.	Description	Reqd. QTY		Serial No.	Parts catalogue code
			UMK	435T		
1	72560-VL5-G41	CUTTER ASSY., NYLON	1	-----	-----	UEDT
2	72562-VL5-G41	EYELET	2	-----	-----	UEDT
3	72563-VL5-G41	SPOOL	1	-----	-----	UEDT
4	72564-VL5-G41	SPRING	1	-----	-----	UEDT
5	72566-VL5-G41	COVER	1	-----	-----	UEDT



PART NO. INDEX

F 1

Part Number	Address	Page	Ref.	Part Number	Address	Page	Ref.	Part Number	Address	Page	Ref.	Part Number	Address	Page	Ref.
10000				16015-Z3F-J42	D8	25	5	19000				32000			
10100-Z0Z-405	D1	18	1	16017-ZM3-004	D8	25	6	19611-Z0Z-000	D7	24	1	32100-VK9-L01	E2	34	8
10100-Z3F-405	D1	18	1	16018-ZM3-802	D8	25	7	19631-Z0Z-010	D9	26	25	32195-Z0Z-J00	D13	30	4
				16019-ZM3-004	D8	25	8	19720-Z0Z-000ZA	D14	31	1				
12000				16020-ZM3-004	D8	25	9					72000			
12209-Z0H-003	D4	21	1	16021-Z3F-J42	D8	25	10	21000				72511-VK9-A01	E7	39	4
12209-Z3E-000	D4	21	1	16021-ZM3-004	D8	25	10	21911-VK9-A01	E6	38	1	72511-VK9-A31	E6	38	5
12209-Z3E-003	D4	21	1	16022-ZM3-014	D8	25	11					72511-VK9-L01	E7	39	9
12310-Z0Z-000	D1	18	2	16023-ZM3-004	D8	25	12	35120-VK9-A01	E1	33	4	72512-VK9-A31	E6	38	6
12312-Z0Z-300	D1	18	3	16024-Z0H-003	D8	25	13	35122-VK9-L01	E2	34	9	72560-VL5-G41	E11	43	1
12314-Z0H-300	D1	18	4	16025-ZM3-004	D8	25	14	40000				72562-VL5-G41	E11	43	2
12367-Z0H-000	D1	18	5	16026-ZM3-004	D8	25	15	40230-VK9-A00	E5	37	4	72563-VL5-G41	E11	43	3
				16027-ZM3-004	D8	25	16	40230-VK9-L00	E5	37	4	72564-VL5-G41	E11	43	4
13000				16028-ZM3-004	D8	25	17	41000				72566-VL5-G41	E11	43	5
13010-ZM5-000	D3	20	1	16029-ZM3-004	D8	25	18	41100-VK9-A02	E3	35	2	72571-VK9-L01	E4	36	5
13101-Z0Z-000	D3	20	2	16030-ZM3-004	D8	25	19	41100-VK9-L01	E4	36	2	72615-VK9-A31	E6	38	7
13111-ZM5-000	D3	20	3	16031-ZM3-004	D8	25	20	41101-VK9-A01	E3	35	3	72623-VK9-A01	E7	39	5
13310-Z0Z-000	D3	20	4	16032-ZM3-004	D8	25	21	41125-VK9-A01	E6	38	3	72624-VK9-A31	E6	38	8
13310-Z0Z-000	D3	20	4	16035-ZM3-802	D8	25	22					72800-VK9-A01	E7	39	6
13310-Z0Z-305	D3	20	7	16100-Z0Z-814	D8	25	23	22000-Z0Z-003	D7	24	2	72800-VK9-A31	E6	38	9
				16100-Z0Z-815	D9	26	23	22000-Z3F-004	D7	24	2				
				16100-Z3F-J42	D9	26	23	22100-VK9-A02	E5	37	1	76000			
				16221-Z0Z-000	D9	26	24	22253-Z0Z-003	D7	24	3	76200-VK9-A01	E3	35	6
14000								22254-Z0Z-003	D7	24	5	76200-VK9-L01	E4	36	6
14126-Z0Z-003	D4	21	2	17000				22254-Z3F-000	D7	24	4	76245-VK9-A01	E3	35	7
14320-Z0Z-000	D4	21	3	17211-Z0Z-000	D10	27	1	22255-Z3F-000	D7	24	5	76248-VK9-A01	E3	35	8
14400-Z0Z-003	D4	21	4	17220-Z0Z-000	D10	27	2	22260-VK9-A02	E5	37	2	76248-VK9-L01	E4	36	7
14400-Z3F-003	D4	21	4	17231-Z0Z-000	D10	27	3	22261-VK9-A01	E5	37	3				
14431-Z0H-003	D1	18	6	17231-Z0Z-010	D10	27	3	23000				41141-VK9-A01	E3	35	5
14441-Z0H-003	D1	18	7	17231-Z0Z-010	D10	27	3	23326-VK9-A02	E3	35	1	41141-VK9-A01	E4	36	4
14711-Z0Z-000	D4	21	5	17504-ZM3-003	D12	29	1					41411-VK9-A00	E5	37	5
14711-Z0Z-800	D4	21	5	17511-Z0Z-013	D12	29	2	28000				50000			
14721-Z0Z-000	D4	21	6	17511-Z0Z-013	D12	29	2	50225-VK9-A01	E5	37	6	87135-ZE2-020	D15	32	1
14721-Z0Z-800	D4	21	6	17533-Z0H-000	D12	29	3	50237-VK9-A01	E5	37	7	87150-VF9-A00	E8	40	1
14730-Z0Z-000	D1	18	8	17555-Z0Z-000	D12	29	9	50374-VK9-A00	E5	37	8	87521-VK9-A00	E8	40	2
14740-Z0Z-000	D1	18	9	17620-ZM3-816	D12	29	4	50376-VK9-A00	E5	37	9	87521-Z0Z-000	D15	32	2
14751-Z0Z-000	D4	21	7	17620-ZM3-817	D12	29	4	50378-VK9-A00	E5	37	10	87521-Z3F-000	D15	32	2
14771-Z0H-000	D4	21	8	17672-Z0H-003	D12	29	5	51000				87521-Z3F-010	D15	32	2
				17701-Z0Z-000	D12	29	6	51511-VK9-A00	E5	37	11	87531-Z0Z-000	D15	32	3
				17702-Z0Z-000	D12	29	7					87594-VF9-L00	E8	40	3
15000				17702-Z0Z-J31	D12	29	7	53000				87601-Z0H-J30	D15	32	4
15422-Z0Z-000	D1	18	10	17735-VK9-A00	E1	33	1	53100-VK9-A00	E1	33	5	87601-Z0H-J40	D15	32	4
15510-Z0H-000	D1	18	11	17735-VK9-A00	E1	33	1	53100-VK9-L00	E2	34	10	87601-Z0Z-J60	D15	32	4
15510-Z3E-000	D2	19	29	17850-VK9-A01	E1	33	2	53136-VK9-A01	E1	33	6	87601-Z3F-J80	D15	32	4
15571-ZM3-003	D1	18	12	17850-VK9-L01	E2	34	1	30000				87660-Z0Z-J00	D15	32	5
15600-Z3F-000	D1	18	14	17851-VH8-761	E2	34	2	30500-Z0Z-013	D13	30	1	89000			
15600-ZM3-003	D1	18	14	17852-VJ8-C01	E2	34	3	30500-Z3F-003	D13	30	1	89101-VK9-A01	E9	41	1
15625-Z0T-800	D1	18	15	17853-VF9-V31	E2	34	4	30500-Z3F-013	D13	30	1	89104-VK9-A00	E10	42	3
15625-ZE1-003	D1	18	15	17854-VF9-V31	E2	34	5	30522-Z0Z-000	D13	30	2	89216-VK9-A01	E9	41	2
15721-Z0Z-000	D1	18	16	17856-VF9-V31	E2	34	6	30522-Z3F-000	D13	30	2	89221-KW3-000	E9	41	3
				17859-VF9-V31	E2	34	7	31000				89221-MJ4-000	E9	41	4
				17910-VK9-A00	E1	33	3	31110-Z0Z-003	D13	30	3	89226-KW7-900	E9	41	5
								31110-Z3F-003	D13	30	3				
16000				18000				31914-Z0H-003	D1	18	17	90001-Z0Z-003	D11	28	4
16010-ZM3-004	D8	25	1	18310-Z0Z-010	D11	28	1	31915-Z0H-003	D1	18	17	90001-Z0Z-013	D11	28	4
16011-Z0H-013	D8	25	2	18515-Z0Z-300	D11	28	2	31916-Z0H-003	D1	18	17				
16013-Z0H-003	D8	25	3	18518-Z0Z-020	D11	28	3	31000							
16014-ZM3-004	D8	25	4					60000							
16015-Z0H-013	D8	25	5					60156-VK9-A01	E10	42	1				

PART NO. INDEX

F 2

Part Number	Address	Page	Ref.	Part Number	Address	Page	Ref.	Part Number	Address	Page	Ref.	Part Number	Address	Page	Ref.
90009-Z0H-003	D1	18	18	91308-Z3E-000	D9	26	29								
	D7	24	6	91401-ZM3-003	D12	29	8	96130-62020-10	E4	36	21				
90009-Z0Z-003	D10	27	4	91501-Z0H-000	D12	29	12		E5	37	20				
90010-Z0H-003	D12	29	10	91501-Z0Z-000	D10	27	7	96150-62020-10	E6	38	17				
90010-Z0Z-003	D1	18	19	91503-ZM3-000	D10	27	8		E3	35	17				
90011-VK9-A01	E5	37	12	91504-ZM3-003	D6	23	12		E4	36	22				
90012-Z0H-005	D13	30	5	91506-ZM3-000	D6	23	13	99000							
90012-Z3E-003	D13	30	5		D10	27	9								
90012-ZM3-003	D6	23	10		D11	28	7	99101-Z0Z-0360	D9	26	30				
90013-VK9-A31	E6	38	10		D12	29	13	99101-Z0Z-0370	D9	26	30				
90013-Z0H-004	D1	18	20	92000				99101-Z0Z-0380	D9	26	30				
90013-Z0Z-003	D2	19	21					99101-ZM5-0350	D9	26	30				
90013-Z3E-003	D2	19	20	92201-06008-0A	E4	36	13								
90013-Z3F-003	D2	19	21	92201-06020-0A	E4	36	14								
90014-Z0H-003	D9	26	26												
90015-Z0H-003	D14	31	2	93000											
90017-Z0H-000	D2	19	22												
90018-Z0H-003	D6	23	11	93500-03005-0A	D2	19	25								
	D9	26	27	93500-05030-0G	E2	34	18								
	D10	27	5	93893-05010-00	E1	33	13								
	D11	28	5		E2	34	19								
	D12	29	11		E3	35	11								
90019-Z0H-003	D2	19	23		E5	37	15								
90101-VF9-V31	E2	34	15		E6	38	15								
90101-VK9-L01	E4	36	8		E7	39	8								
90102-VK9-A01	E5	37	13	93893-05020-07	E5	37	16								
90102-VK9-L01	E4	36	9	94000											
90103-VK9-L01	E4	36	10												
90104-VK9-A01	E1	33	11	94002-05070-0S	E2	34	20								
	E2	34	16	94002-06000-0S	E1	33	14								
	E3	35	9		E2	34	21								
	E5	37	14	94050-05000	D10	27	6								
90105-VK9-A01	E3	35	11	94050-08000	D13	30	6								
	E5	37	15	94101-06000	E4	36	15								
	E6	38	15	94305-40102	D2	19	26								
	E7	39	8	94510-12000	E3	35	12								
90114-VK9-A31	E6	38	11	94510-15000	E5	37	17								
90115-VK9-A01	E3	35	10		E6	38	16								
90136-SM4-901	D11	28	6	94520-28000	E3	35	13								
90206-ZM3-000	D2	19	24		E4	36	17								
90301-VK9-A01	E4	36	11	94520-35000	E3	35	14								
	E7	39	7		E4	36	18								
90301-VK9-A31	E6	38	12	94520-45000	E5	37	18								
90301-VK9-L01	E4	36	12		E5	37	19								
90401-VK9-A31	E6	38	13	95000											
90501-VK9-A31	E6	38	14												
90651-MA6-720	E1	33	12	95002-41200-08	D2	19	27								
	E2	34	17	95002-41300-04	D2	19	28								
91000				96000											
91212-Z0H-003	D3	20	5	96100-60010-00	E3	35	15								
91212-Z3E-000	D3	20	5		E4	36	19								
91212-Z3E-003	D3	20	5	96100-60013-00	E4	36	20								
91214-Z3F-000	D3	20	6	96120-60010-00	E3	35	16								
91214-Z3F-003	D3	20	6												
91214-ZM3-003	D3	20	6												
91301-ZM3-000	D9	26	28												
91308-Z0H-003	D9	26	29												

PART NAME INDEX

G 1

Part name	Address	Page	Ref.	Part name	Address	Page	Ref.	Part name	Address	Page	Ref.
[A]				[C]				[E]			
ARM, EX. VALVE ROCKER	D1	18	7	CABLE COMP., THROTTLE	E1	33	3	ELEMENT, AIR CLEANER	D10	27	1
ARM, IN. VALVE ROCKER	D1	18	6	CAP ASSY., FUEL TANK	D12	29	4	EYELET	E11	43	2
ARM, SWING	D6	23	7	CAP ASSY., OIL FILLER	D1	18	14	[F]			
[B]				CAP, THROTTLE LEVER	E2	34	5	FILTER, BREATHER	D1	18	5
BAG, TOOL	E9	41	1	CARBURETOR ASSY.	D8	25	23	FILTER, FUEL	D12	29	5
BAND	E2	34	9	CARRY BAG	D9	26	23	FILTER, FUEL INLET	D8	25	22
BAND, WIRE HARNESS	E1	33	12	CASE COMP., AIR CLEANER	E10	42	3	FLYWHEEL COMP.	D13	30	3
BEARING, RADIAL BALL, 6001 ...	E2	34	17	CASE COMP., GEAR	D10	27	2	[G]			
BEARING, RADIAL BALL, 6001 ...	E3	35	15	CASE COMP., GEAR	E3	35	2	GASKET, METERING DIAPHRAGM	D8	25	1
BEARING, RADIAL BALL, 6001 ...	E4	36	19	CASE, GEAR	E4	36	2	GASKET, PUMP	D8	25	2
BEARING, RADIAL BALL, 6001 ...	E4	36	19	CASE, RECOIL STARTER	E3	35	3	GEAR, BEVEL	E3	35	5
BEARING, RADIAL BALL, 6202 ...	E5	37	20	CIRCLIP, EXTERNAL, 12MM	D6	23	2	GRIP, L. HANDLE	E4	36	4
BEARING, RADIAL BALL, 6202UU .	E6	38	17	CIRCLIP, EXTERNAL, 15MM	E3	35	12	GRIP, L. HANDLE	E1	33	10
BEARING, RADIAL BALL, 6202UU .	E3	35	17	CIRCLIP, INTERNAL, 15MM	E4	36	17	GRIP, R. HANDLE	E2	34	14
BELT ASSY., SHOULDER	E4	36	22	CIRCLIP, INTERNAL, 28MM	E6	38	16	GRIP, L. THROTTLE LEVER	E2	34	6
BELT, TIMING	E10	42	2	CIRCLIP, INTERNAL, 35MM	E3	35	13	GRIP, R. HANDLE	E1	33	9
BLADE	D4	21	4	CIRCLIP, INTERNAL, 35MM	E4	36	17	GRIP, R. THROTTLE LEVER	E2	34	4
BLADE	E6	38	5	CIRCLIP, INTERNAL, 45MM	E3	35	14	GROMMET, FUEL TUBE	D12	29	1
BLADE SET	E7	39	4	CLAMP, TUBE	E4	36	18	GROMMET, HEAD COVER	D1	27	18
BLADE, CUTTER	E7	39	6	CLIP, HIGH TENSION CORD	E5	37	18	GUARD, GRASS	E6	38	1
BODY ASSY., AIR PURGE	D8	25	6	CLIP, TUBE	E5	37	19	GUARD, GRASS	E6	38	1
BODY ASSY., PUMP	D8	25	5	CLUTCH ASSY.	D2	19	27	GUARD, TANK	E7	39	1
BOLT-WASHER, 6X16	E6	38	11	COIL ASSY., IGNITION	D13	30	2	GUARD, TANK	D12	29	9
BOLT, 5X53	D9	26	26	COLLAR	D13	30	1	GUIDE COMP., UNDER AIR	D11	28	3
BOLT, CLUTCH	D7	24	3	COLLAR A, HEAD COVER	D6	23	12	GUIDE, AIR	D11	28	2
BOLT, HEX., 6X20	E4	36	14	COLLAR A, HEAD COVER	D6	23	13	GUIDE, ROPE	D6	23	4
BOLT, HEX., 6X8	E4	36	13	COLLAR, AIR CLEANER	D10	27	9	[H]			
BOLT, SOCKET, 10X12	E3	35	10	COLLAR, AIR CLEANER CASE	D11	28	7	HANGER	E5	37	8
BOLT, SOCKET, 4X14	D13	30	5	COLLAR, TANK GUARD	D12	29	13	HANGER	E5	37	8
BOLT, SOCKET, 5X12	D2	19	23	CORD, STOP SWITCH	D12	29	13	HARNES ASSY., WIRE	E2	34	8
BOLT, SOCKET, 5X12	D6	23	11	COVER	D13	30	4	HOLDER A, BLADE	E6	38	3
BOLT, SOCKET, 5X12	D9	26	27	COVER COMP., TOP	E11	43	5	HOLDER A, BLADE	E7	39	2
BOLT, SOCKET, 5X12	D10	27	5	COVER, AIR CLEANER	D14	31	1	HOLDER A, HANDLE	E1	33	6
BOLT, SOCKET, 5X12	D11	28	5	COVER, BOLT	D10	27	3	HOLDER A, HANDLE	E2	34	11
BOLT, SOCKET, 5X12	D12	29	11	COVER, CYLINDER HEAD	E7	39	5	HOLDER B, BLADE	E6	38	4
BOLT, SOCKET, 5X20	D1	18	18	COVER, FAN	D1	18	2	HOLDER B, BLADE	E7	39	3
BOLT, SOCKET, 5X20	D7	24	6	COVER, PRIMER PUMP	D7	24	1	HOLDER B, HANDLE	E1	33	7
BOLT, SOCKET, 5X20	E4	36	8	CRANKCASE SET	D8	25	15	HOLDER B, HANDLE	E2	34	12
BOLT, SOCKET, 5X25	D10	27	4	CRANKSHAFT COMP.	D1	18	1	HOLDER C, HANDLE	E1	33	8
BOLT, SOCKET, 5X30	D12	29	10	CUTTER ASSY., NYLON	D3	20	4	HOLDER C, HANDLE	E2	34	13
BOLT, SOCKET, 5X32	D1	18	19	DEFLECTOR ASSY., GRASS	E11	43	1	HOLDER, BEARING	E6	38	8
BOLT, SOCKET, 6X12	E6	38	10	DEFLECTOR ASSY., GRASS	E11	43	1	HOLDER, BEARING	E3	35	8
BOLT, SOCKET, 6X20	E5	37	13	DEFLECTOR ASSY., GRASS	E11	43	1	HOLDER, PROTECTOR	E4	36	7
BOLT, SOCKET, 6X25	E4	36	10	DEFLECTOR COMP., GRASS	E3	35	6	HOUSING ASSY., CLUTCH	E5	37	2
BOLT, SOCKET, 6X25	E1	33	11	DIAPHRAGM ASSY., METERING	E4	36	6	HOUSING, CLUTCH	E5	37	3
BOLT, SOCKET, 6X30	E2	34	16	DIAPHRAGM, PUMP	E3	35	7	[J]			
BOLT, SOCKET, 6X30	E3	35	9	[D]				JET	D9	26	30
BOLT, SOCKET, 6X30	E5	37	14	DEFLECTOR ASSY., GRASS	E3	35	6				
BOLT, STUD, 5X56.5	D11	28	4	DEFLECTOR ASSY., GRASS	E4	36	6				
BOLT, TAPPING, 5X12	E5	37	12	DIAPHRAGM ASSY., METERING	E3	35	7				
BOLT, TOP COVER	D14	31	2	DIAPHRAGM, PUMP	D8	25	3				
BRACKET, ENGINE MOUNTING	E5	37	6					DIAPHRAGM, PUMP	D8	25	4

PART NAME INDEX

G 2

Part name	Address	Page	Ref.	Part name	Address	Page	Ref.	Part name	Address	Page	Ref.
[K]											
KNOB, RECOIL STARTER	D6	23	8	PIN, SPRING, 4X10	D2	19	26	SPOOL	E11	43	3
				PIPE ASSY., FRAME	E5	37	4	SPRING	E11	43	4
				PIPE ASSY., HANDLE	E1	33	5	SPRING, METERING LEVER	D8	25	9
[L]								SPRING, PUMP	D8	25	19
LABEL, E-SPEC	D15	32	1	PISTON	D3	20	2	SPRING, RECOIL STARTER	D6	23	5
LEVER ASSY., THROTTLE	E1	33	2	PLATE ASSY., OIL OUTLET VALVE	D1	18	11	SPRING, THROTTLE LEVER	E2	34	7
	E2	34	1		D2	19	29	SPRING, VALVE	D4	21	7
LEVER, METERING	D8	25	12	PLATE, BLADE HOLDER	E6	38	7	STAND	E5	37	11
LEVER, THROTTLE	E2	34	2	PLATE, NYLON CUTTING	E4	36	5	STARTER ASSY., RECOIL	D6	23	1
LEVER, THROTTLE LOCK	E2	34	3	PLUG, SPARK	D1	18	17	SWITCH ASSY., ENGINE STOP	E1	33	4
LIFTER COMP., EX. VALVE	D1	18	9	PULLEY COMP., CAMSHAFT	D4	21	3	SWIVEL	D8	25	16
LIFTER COMP., IN. VALVE	D1	18	8	PULLEY, RECOIL STARTER	D6	23	6	[T]			
				PUMP, PRIMER	D8	25	21	TANK, FUEL	D12	29	2
[M]				[R]							
MARK	D15	32	5	REEL, RECOIL STARTER	D6	23	3	TUBE, BREATHER	D1	18	16
MARK, CAUTION	E8	40	1	RETAINER, VALVE SPRING	D4	21	8	TUBE, CORRUGATE	E1	33	1
MARK, EMBLEM	D15	32	2	RING SET, PISTON	D3	20	1	TUBE, FUEL RETURN	D12	29	7
	E8	40	2	RING, RETAINING	D8	25	13	TUBE, FUEL TANK	D12	29	6
MARK, HONDA	D15	32	3	ROLLER, 4X31.8	D4	21	2	TUBE, OIL	D1	18	10
MARK, OIL CAUTION	E8	40	3	ROPE, RECOIL STARTER	D6	23	9	[V]			
MARK, TYPE	D15	32	4	RUBBER, ENGINE MOUNTING	E5	37	7	VALVE, EX.	D4	21	6
MOWING SET	E6	38	9	RUBBER, TANK MOUNTING	D12	29	3	VALVE, INLET NEEDLE	D8	25	8
MUFFLER COMP.	D11	28	1	[S]				VALVE, IN.	D4	21	5
				SCREEN, DUST	E10	42	1	VALVE, OIL OUTLET	D1	18	12
[N]				SCREEN, INLET	D8	25	7	[W]			
NUT, FLANGE, 10MM	E4	36	11	SCREW-WASHER, 5X10	E1	33	13	WASHER	D8	25	20
	E7	39	7		E2	34	19		E6	38	13
NUT, FLANGE, 5MM	D10	27	6		E3	35	11	WASHER, CLUTCH	D7	24	4
NUT, FLANGE, 8MM	D13	30	6		E5	37	15	WASHER, PLAIN, 6MM	E4	36	15
NUT, HEX., 5MM	E2	34	20		E6	38	15	WASHER, SPRING, 6MM	E6	38	14
NUT, HEX., 6MM	E1	33	14		E7	39	8	WASHER, WAVE	D7	24	5
	E2	34	21	SCREW-WASHER, 5X14	E4	36	9	WRENCH, BOX	E9	41	2
NUT, LOCK, 6MM	E4	36	12	SCREW-WASHER, 5X20	E5	37	16	WRENCH, HEX., 4MM	E9	41	3
NUT, SELF-LOCK, 5MM	D11	28	6	SCREW, METERING LEVER PIN	D8	25	10	WRENCH, HEX., 5MM	E9	41	4
NUT, TAPPET ADJUSTING	D2	19	24	SCREW, PAN, 3X5	D2	19	25	[O]			
NUT, U, 6MM	E6	38	12	SCREW, PAN, 4X8	D1	18	20	OIL SEAL, 10X20X5	D3	20	5
					D2	19	20	OIL SEAL, 15X25X6	D3	20	6
							21	O-RING	D8	25	14
				SCREW, PAN, 5X30	E2	34	18	O-RING, 12.3X2.4	D9	26	29
				SCREW, PUMP COVER	D8	25	18	O-RING, 14.8X2.4	D9	26	28
				SCREW, SETTING	D6	23	10	OUTER COMP., CLUTCH	E5	37	1
				SCREW, TAPPET ADJUSTING	D2	19	22	[P]			
				SCREW, TAPPING, 4X20	E2	34	15	PACKING, CARBURETOR	D9	26	24
				SCREW, TAPPING, 5X10	E3	35	11	PACKING, OIL FILLER CAP	D1	18	15
					E5	37	15	PINION, BEVEL	E3	35	4
					E6	38	15		E4	36	3
					E7	39	8	PIN, 10MM	E6	38	6
				SCREW, THROTTLE COLLAR	D8	25	17	PIN, METERING LEVER	D8	25	11
				SEAL, HEAD COVER	D1	18	3	PIN, PISTON	D3	20	3
				SEAL, VALVE STEM	D4	21	1	[R]			
				SHAFT, DRIVE	E5	37	5	REEL, RECOIL STARTER	D6	23	3
				SHAFT, GEAR	E3	35	1	RETAINER, VALVE SPRING	D4	21	8
					E4	36	1	RING SET, PISTON	D3	20	1
				SHROUD	D9	26	25	RING, RETAINING	D8	25	13
				SPANNER, 8X10	E9	41	5	ROLLER, 4X31.8	D4	21	2

1

FOREWORD INDEX

2

ENGINE GROUP

3

FRAME GROUP

4

PART NUMBER INDEX

5

PART NAME INDEX

HONDA
The Power of Dreams

January 16, 2010



PARTS CATALOGUE NEWS

Honda Motor Co., Ltd. Service Division

PARTS CATALOGUE - CORRECTED

Printed in Japan

CODE NO.	18VK9603
PARTS CATALOGUE NEWS	UMK435T
NEWS NO.	001

(THAILAND-KD)

Block No.	Ref. No.	Note	Part No.	Description	Reqd. QTY	Serial No.		Parts catalogue code
					UMK 435T			
E-11	1	D	28400-Z0Z-305	STARTER ASSY., RECOIL (FOR U. S. A.)	1	-----	-----	UEDT
E-17	2	D	17511-Z0Z-305	TANK, FUEL (FOR U. S. A.)	1	-----	-----	UEDT

NOTE A:PART NO. CHANGE D:NEWLY PROVIDED E:PART NO.DELETION K:REQUIRED NO. CORRECTION L:APPLICATION SERIAL NO. CORRECTION
T:APPLICATION CORRECTION Z:REMARKS CHANGE



PARTS CATALOGUE NEWS

Honda Motor Co., Ltd. Service Division

PARTS CATALOGUE - CORRECTED

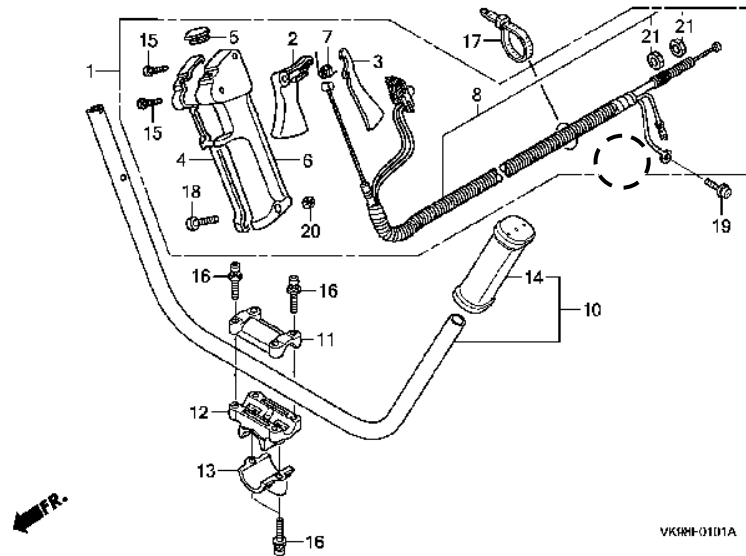
Printed in Japan

CODE NO.	18VK9603
PARTS CATALOGUE NEWS	UMK435T
NEWS NO.	002

(THAILAND-KD)

Block No.	Ref. No.	Note	Part No.	Description	Reqd. QTY	Serial No.	Parts catalogue code
					UMK 435T		

F-1-1 HANDLE PIPE/THROTTLE LEVER (2)



VK96H-0101A

F-1-1 9 E 35122-VK9-L01 *PARTS NO. DELETION

NOTE A:PART NO. CHANGE D:NEWLY PROVIDED E:PART NO.DELETION K:REQUIRED NO. CORRECTION L:APPLICATION SERIAL NO. CORRECTION
T:APPLICATION CORRECTION Z:REMARKS CHANGE