



Yeoman

Exe/Devon/County Double



Freestanding Double Sided Stove

USER INSTRUCTIONS

For use in Great Britain and Eire.

This product is suitable for use in the stated countries. To install the product in other countries it is essential to obtain translated instructions and in some cases the product may require modification. Contact Yeoman Stoves to obtain further information.

Exe Double Double

YM-W9121FL / YM-W9122FL

Devon Single Double

YM-W9211FL / YM-W9212FL / YM-W9211LC / YM-W9212LC / YM-W9212HC

Devon Double Double

YM-W9221FL / YM-W9222FL / YM-W9221LC / YM-W9222LC / YM-W9222HC

County Single Double

YM-W9312FL / YM-W9312LC / YM-W9312HC

County Double Double

YM-W9322FL / YM-W9322LC / YM-W9322HC



IMPORTANT

Please read these instructions carefully before using the appliance.
Keep them safe for future reference and when servicing the fire.

FOR YOUR RECORDS

To assist us in any Guarantee claim please complete the following information:-

Dealer appliance was purchased from

Name:

Address:

.....

Telephone number:

Essential Information - MUST be completed

Date installed:

Model Description:

Serial number:

Installation Engineer

Company name:

Address:

.....

Telephone number:

Commissioning Checks (to be completed and signed)

Is flue system correct for the appliance YES NO

Flue swept and soundness test complete YES NO

Appliance fixed to hearth YES NO

Smoke test completed on installed appliance YES NO

Spillage test completed YES NO

Use of appliance and operation of controls explained YES NO

Instruction books handed to customer YES NO

Signature:

Print name:

SERVICE RECORDS

1st SERVICE

Date of Service:
Next Service Due:
Signed:
Dealer's Stamp/HETAS Registration Number

3rd SERVICE

Date of Service:
Next Service Due:
Signed:
Dealer's Stamp/HETAS Registration Number

5th SERVICE

Date of Service:
Next Service Due:
Signed:
Dealer's Stamp/HETAS Registration Number

7th SERVICE

Date of Service:
Next Service Due:
Signed:
Dealer's Stamp/HETAS Registration Number

9th SERVICE

Date of Service:
Next Service Due:
Signed:
Dealer's Stamp/HETAS Registration Number

2nd SERVICE

Date of Service:
Next Service Due:
Signed:
Dealer's Stamp/HETAS Registration Number

4th SERVICE

Date of Service:
Next Service Due:
Signed:
Dealer's Stamp/HETAS Registration Number

6th SERVICE

Date of Service:
Next Service Due:
Signed:
Dealer's Stamp/HETAS Registration Number

8th SERVICE

Date of Service:
Next Service Due:
Signed:
Dealer's Stamp/HETAS Registration Number

10th SERVICE

Date of Service:
Next Service Due:
Signed:
Dealer's Stamp/HETAS Registration Number

OPERATING INSTRUCTIONS

Before using this appliance, please read these instructions fully.

1. GENERAL

- 1.1 This stove is designed for domestic heating and should only be used for this purpose, and in accordance with the manufacturers operating instructions.

It should be installed by a competent installer, in accordance with all local regulations, including those referring to national and European standards.

- 1.2 The stove should only be used to burn approved fuels and should not be used with liquid fuels or used as an incinerator.
- 1.3 As with all heating stoves the surfaces will become very hot when in use, therefore due care should be taken when near the stove. If it is to be used in the presence of young children, elderly or infirm persons a suitable fireguard should be used. Care should also be taken with the placement of combustible items near the stove as conducted and radiated heat could cause a fire hazard.

Stovax offer a wide range of firescreens and sparkguards, along with a hearthgate system designed to offer full protection for a range of stoves and fireplaces. Your Yeoman dealer can advise you on these products.

Due to the high temperature of the convected air above the front of the stove, we recommend that no valuable photographs, TV's, paintings, porcelain or other items are placed on the wall in this area. Such artefacts may be damaged by long term exposure to fluctuating temperatures.

- 1.4 The additional ventilation required for the safe use of this stove should be kept free of any obstructions, both inside and outside the building, at all times.
- 1.5 To burn solid fuel efficiently in a wood version the multifuel kit should be fitted.

Multifuel kit part numbers:

Stove	Part No.
Exe Double Depth, Double Sided	YM-A9140DD
Devon Single Depth, Double Sided	YM-A9240SD
Devon Double Depth, Double Sided	YM-A9240DD
County Single Depth, Double Sided	YM-A9340SD

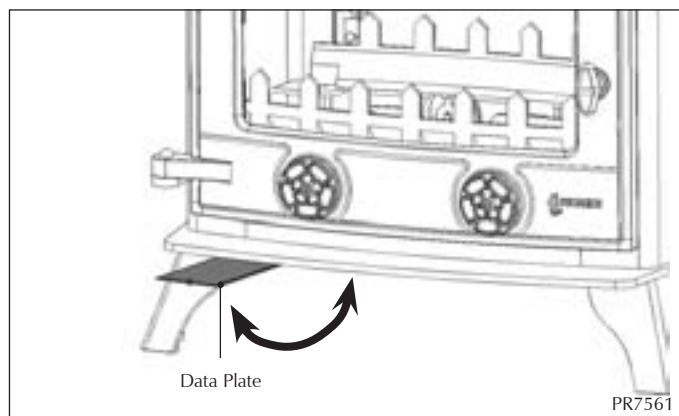
Only for use with recommended fuels, see Installation Instructions for full fitting details.

- 1.6 Have your Yeoman product serviced annually by a competent service engineer, and if repairs are required use only Yeoman approved spare parts.
- 1.7 **Do not make unauthorised modifications or changes to the stove.**

No other heating appliance should be connected to, or share, the same flue or chimney system.

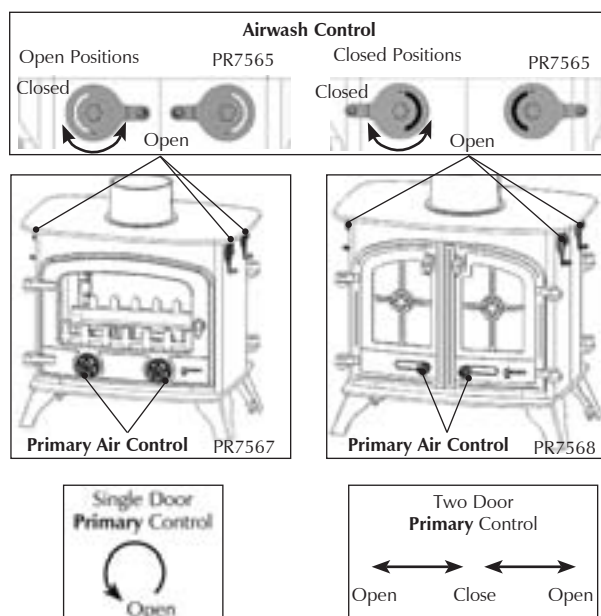
SERIAL NUMBER

- 1.8 This number will be required when ordering spare parts or making warranty claims. It is found on the DATA PLATE, located on the underside of the stove.



AIR CONTROLS

- 1.9 Use a gloved hand to operate air controls.
- 1.10 There are 4 airwash controls on each stove located near the top on both sides

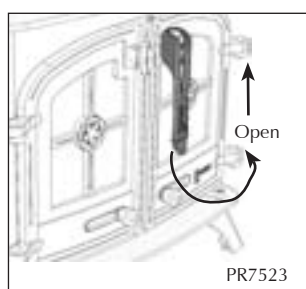
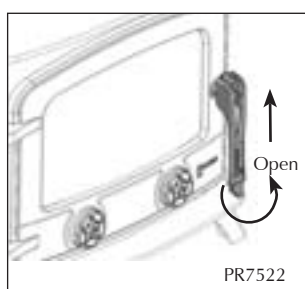


OPERATING INSTRUCTIONS

DOOR HANDLE

To Open and Close

Drop door tool over knob to fit.
 Rotate 1/2 turn anti-clockwise to open.
 Rotate 1/2 turn clockwise to close.
 Lift up door tool to remove



1.11 **Never open the door with your bare hands.**

1.12 Closing the door is the reverse of the previous.

2. USING THE STOVE FOR THE FIRST TIME

2.1 When new, it is best to burn the fire at a low output for the first few days of use. This will allow the construction to settle and all fixing glues and paint to fully cure.

Avoid touching the paint during the first period of use.

2.2 During this time the stove may give off some unpleasant odours, and we recommend that you keep the room well ventilated during this period to avoid a build-up of fumes.

3. RECOMMENDED FUELS

3.1 **Wood:** - Burn only seasoned timber, with a maximum cut length of 300mm.

3.2 **Do not burn painted, impregnated/treated wood, manufactured board products, construction timber or pallet wood.**

3.3 To help avoid large build-ups of tars and creosote within the stove and the flue system, it is recommended to burn at maximum output for at least 30 minutes each day. The use of Stovax Protector chimney cleaner (Stovax part no. 7002) will also help to reduce this problem.

3.4 **Solid fuel:** - Burn only manufactured smokeless fuels listed as suitable for use with closed heating stoves. **Do not burn bituminous coal, 'petro-coke' or other petroleum based fuels, as this will invalidate any product guarantee.**

3.5 **Fuel consumption at nominal heat output** as tested to the requirements of EN13240 for intermittent heat output:

Description	Fuel Consumption	
	Kg/Hour Wood (300mm long)	Kg/Hour Briquetted Smokless Fuel
Exe Double Double	3.5	1.2
Devon Single Double	3.5	1.6
Devon Double Double	4.5	2.2
County Single Double	5.1	2.3
County Double Double	6.9	N/A

Fuel consumption for canopy models is the same as equivalent flat top model.

If you require advice on suitable solid fuels contact your local approved coal merchant. Details can be obtained by ringing the Solid Fuel Association advice line on Freephone 0845 601 4506. Or their web site at www.solidfuel.co.uk

A number of factors can affect the performance of the Yeoman stove. Some of these are listed.

4. BURNING WOOD (WITH OR WITHOUT MULTIFUEL KIT FITTED)

- 4.1 Open the **Airwash controls** fully, open the **Primary air control** to approximately 25% open.
- 4.2 Place some pieces of firelighter or dry crumpled paper on the grate and cover with some small pieces of dry kindling wood. Light the paper or firelighters.
- 4.3 To avoid the build-up of condensation on the door glass it is advisable to leave one door slightly open as the fire establishes, and the glass warms.
- 4.4 As the fire becomes established add a few larger pieces of wood and fully close the door. Do not initially add too many logs as this may smother the fire. **Do not leave the stove with the door open as this could over-fire the stove and cause permanent damage.**
- 4.5 As the fire becomes established close the **Primary air control** and control the burn rate using the **Airwash controls** only.
- 4.6 To burn wood efficiently it is best to allow a bed of ash to build-up on the grate, or the base of the stove, and control the combustion using the **Airwash controls** only.
- 4.7 Before re-fuelling the stove it is advisable to first rake the embers evenly over the firebed then open the **Airwash controls** fully for a few minutes, to establish a glowing bed before adding new logs.
- 4.8 Allow the new logs to burn at high output for a few minutes before adjusting the burn rate, with the **Airwash controls**, to the desired setting. It is best to refuel little and often to maintain clean and efficient burning.

OPERATING INSTRUCTIONS

- 4.9 Do not re-fuel the stove above the level of the log guards.
- 4.10 The ideal control settings to suit the particular installation and personal preferences will be established by experience in using the stove.
- 4.11 It is not recommended to load large amounts of logs and burn with the **Airwash controls** on low settings for long periods of time. This will reduce the effectiveness of the glass cleaning effect of the airwash. Also this will cause a large build-up of tars and creosotes in the stove and flue system.
- 4.12 We would recommend that the stove be burnt at high output for at least 30 minutes each day when it is in use. This will help reduce the build-up of tars and creosotes within the stove and flue system.

Do not burn painted, impregnated wood, pallet wood or manufactured board products.

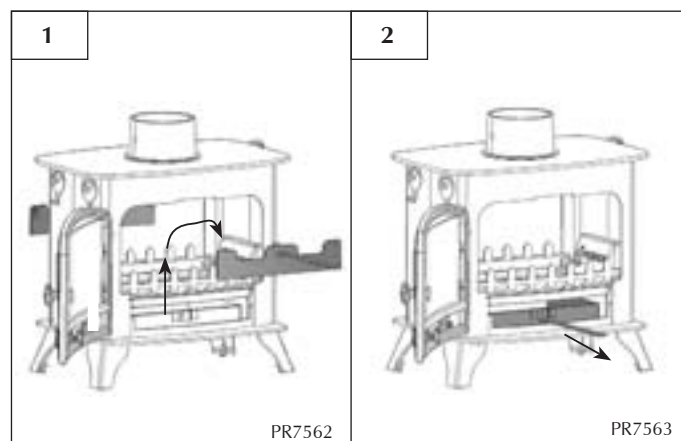
5. BURNING SOLID FUEL (WITH MULTIFUEL KIT FITTED)

- 5.1 Open the **Airwash controls** to approximately 50% and open the **Primary air control** fully.
- 5.2 Place some pieces of firelighter or dry crumpled paper on the grate and cover with some small pieces of dry kindling wood. Light the paper or firelighters.
- 5.3 To avoid the build-up of condensation on the door glass it is advisable to leave one door slightly open as the fire establishes, and the glass warms.
- 5.4 As the fire becomes established add pieces of solid fuel and fully close the door. Do not initially add too much fuel as this may smother the fire. **Do not leave the stove with the door slightly open as this could over-fire the stove and cause permanent damage.**
- 5.5 As the fire becomes established reduce the **Airwash controls** to approximately 25% and control the burn rate using the **Primary air control** only.
- 5.6 To burn solid fuel efficiently it is best to control the combustion using the **Primary air control** only.
- 5.7 Before re-fuelling the stove it is advisable to first de-ash the firebed.
- 5.8 Open the **Primary air control** fully for a few minutes, to establish a glowing bed before adding new fuel. Allow the new fuel to burn at high output for a few minutes before adjusting the burn rate with the **Primary air control** to the desired setting. It is best to refuel little and often to maintain clean and efficient burning.
- 5.9 Do not re-fuel the stove above the level of the log guards.

- 5.10 The ideal control settings to suit the particular installation and personal preferences will be established by experience in using the stove. It is not recommended to load large amounts of fuel and burn with the Primary Air Control on low settings for long periods of time as this will reduce the effectiveness of the glass cleaning effect of the airwash. Also, this will cause a large build-up of tars and creosotes on the appliance and flue system.
- 5.11 We would recommend that the stove be burnt at high output for at least 30 minutes each day when it is in use. This will help reduce the build-up of tars and creosotes within the stove and flue system.

Do not burn bituminous coal, 'petro-coke' or other petroleum based fuels, as this will invalidate any product guarantee.

6. ASH REMOVAL



- 6.1 The burning of any fuel will produce ash, which will have to be removed after a period of use. This time will depend on the fuel used. Before removing the ash from the stove it is advisable to let the fire burn down to a low level, or even go out completely. If a multifuel kit is fitted the ashpans can be removed from the stove using the tool provided (see diag. 2), after opening the door and removing drop-in front plate (see diag. 1).
- 6.2 As heat can remain in the ash for a long period after use, care must be taken when removing and carrying the full ashpan. We suggest that the ashpan be carried using gloved hands, or the ash is placed directly into an Ash Caddy (Part No. 4227).
- 6.3 When burning wood the amount of ash will be smaller and may only need removal once every week. To do this, allow the fire to burn out and cool. Then after removing the log retainer, scoop out the ash with a suitable shovel. It is best to leave a layer of ash in the stove to form a bed for the new fire.
- 6.4 Do not place ash in a bin made from plastic or any other combustible material.

OPERATING INSTRUCTIONS

7. OVER FIRING

- 7.1 Do not use the appliance at maximum output for prolonged periods of time, or over fill the firebox with fuel, as this could result in over-firing. If the connecting fluepipe, appliance flue collar or top plate glow red with heat the appliance is being over fired and the air controls should be closed to reduce the output.
- 7.2 If a chimney fire occurs shut all air controls immediately to close the appliance down, and evacuate all persons from the building before calling the fire brigade. Do not re-enter the building until it is confirmed safe to do so.
- 7.3 **Following a chimney fire do not use the appliance until it is inspected by a HETAS (GB only)/INFO (Eire only) registered installer, to confirm that the appliance is safe to use, or make any repairs required before re-use.** Only genuine Yeoman replacement parts are to be used to keep your appliance in safe and efficient working order.
- 7.4 After any chimney fire it is recommended that the chimney system be inspected and swept by a NACS registered (UK only) chimney sweep, to confirm that the system is structurally sound and free from any obstructions before re-use.

8. BURNING PERFORMANCE

8.1 Fuel Quality (Wood)

Use only seasoned wood with a moisture content of less than 20%. Well seasoned logs should have the bark beginning to lift and peel away, along with deep cracks radiating from the centre of the log. Logs should feel lighter than fresh cut wood of a similar size and sound hollow when struck against each other. Logs should not feel damp to the touch, have any visible moisture oozing from them or moss and fungal growths on them.

Symptoms of poor performance related to wet woods include:

- Difficulty getting a fire going and keeping it burning well,
- Smoky fires with little flame,
- Dirty glass,
- Dirty firebricks,
- Rapid creosote build-up in the chimney,
- Low heat output,
- Short burn times, excessive fuel consumption and blue/grey smoke from the chimney.

8.2 Fuel Quality (Solid Fuel)

Use only recommended solid fuels, which are approved for use with closed appliances. Symptoms of poor performance related to unsuitable fuels include:

- Difficulty getting a fire going and keeping it burning well,
- Smoky fires with little flame,
- Dirty glass,
- Dirty firebricks,
- Short life span for grate, baffles and internal firebricks,
- Permanent staining of glass.

8.3 Backpuffing

This is caused by a lack of combustion air entering the firebox causing combustion gases to build up in the firebox and periodically ignite as small explosions, causing smoke to puff out of the appliance air inlets and other openings. The problem will often occur if the air controls are shut soon after adding new fuel to a very hot fire. To stop backpuffing occurring open the air controls to increase the combustion air and increase the burning rate.

8.4 Flue draught

The chimney has two main functions, which are, to safely remove the smoke, gases and fumes from the house, and to provide a sufficient amount of draught (suction) in the Yeoman stove to ensure that the fire is kept burning. Draught is caused by the rising hot air in the chimney when the Yeoman stove is lit.

Symptoms of poor performance related to flue draught include:

- Excessive fuel consumption (high flue draught)
- Poor burning control, overheating (high flue draught)
- Wind noise from air controls (high flue draught)
- Difficulty getting a fire going and keeping it burning well (low flue draught)
- Low heat output (low flue draught)
- Smoke entering room when doors opened (low flue draught)

The construction, position, size and height of the chimney are all factors that affect the performance of the flue draught.

Other factors that can effect the flue draught include:

- Trees or other buildings nearby causing turbulence
- High and gusty winds
- Outside temperature
- Outside weather conditions
- Incorrect additional ventilation to building
- Blocked flue / chimney

For advice on the correction of persistent flue problems consult a qualified solid fuel heating engineer before continuing to use the Yeoman stove.

8.5 Weather conditions

The weather conditions outside the building could have an effect on the burning performance of the Yeoman stove. These could include:

Windy days - Smoking from the appliance. This could be caused by turbulent airflow around chimney terminal, possibly caused by the position of other buildings or obstacles nearby. This problem is, also, sometimes associated with oversize chimneys, which may even have downdraught problems on calm days. If smoking is a common problem on windy days make a note of the wind strength and direction before consulting your appliance installer, who will advise you on possible solutions to the problem, after visiting the installation.

OPERATING INSTRUCTIONS

Damp / Rainy days – These sometimes result in problems when lighting and maintaining the fire, due to the lower flue temperatures and smaller difference between indoor and outdoor temperatures reducing the flue draught. Also, rain water running down the inside of the chimney reduces the flue temperatures. To help with this problem care must be taken to use good quality kindling wood, when starting the fire, and running the stove at a higher heat setting than normal for a period after start-up to fully heat the chimney. It could be possible to fit a rain cowl to the chimney to reduce this problem. Your appliance installer should advise you on possible solutions.

If the Yeoman stove emits smoke into the room continuously close the air controls and allow the stove to go out, and ventilate the room to clear the fumes.

Do not re-light the appliance until the cause of the problem is identified and rectified.

9. TROUBLESHOOTING

STOVE GLASS BLACKENING:

This occurs as a result of four possible causes:

1. **Incorrect use of airwash** – See the detailed operating instructions which show the correct use of the combustion air controls.
2. **Burning unseasoned wood** – See page 7 (section 9.1) for more information on how to identify when your wood is ready for burning. Properly seasoned logs will have been kept for a minimum of a year but are best burnt at 2 years.
3. **The stove being burned at too low a temperature** - A good working temperature is 300-500° F (120 – 250° C). A stove pipe thermometer will help identify this problem. (Part no 3046). Burning your wood stove with the airwash control fully open for a period of around 20 minutes ought to cure this. This might be caused by damping your stove down overnight.
4. **Problems with your flue** – in particular insufficient air pull. If your flue is not doing its job efficiently this can cause blackening of the glass. A flue which is too short, experiences a downdraft, needs lining or has too many bends can promote blackening. If you suspect your flue may be contributing to the blackening of your stove glass you should contact the installer or a flue specialist.

Heavy tar deposits should be removed using Glass Cleaner (Part. 4103 See section 2 page 8).

STOVE GLASS CRACKING:

Please ensure when replacing the glass in your stove that you do not over tighten the screws on the glass clips as this will cause stress in the glass and with the intense heating and cooling of burning your stove it may well cause the glass to crack.

STOVE IS PRODUCING TAR:

You can recognise this from the following traits:
Very strong pungent smell shortly after the stove is lit and as the stove heats up, glass blackening and, possibly, can be seen as a thick, brown and sticky material oozing from your stove pipe joints.

This is caused by burning damp wood and burning your stove at too low a temperature. To resolve this only use well seasoned wood and ensure your stove is operating in the ideal temperature range. Tar is a major cause of chimney fires - if you experience problems with tar build up, please consult a chimney sweep before continued use of your stove.

Ideal working temperature range is 130°C is 130°C and 240°C (270°F – 465°F). If you fail to close down your primary air control once the stove has heated up to this range you may cause your stove to overfire and the temperature to exceed the ideal range. Overfiring can cause permanent damage to your stove and will invalidate your warranty.

10. SEASONAL USE

- 10.1 If the stove is not going to be used during the warmer periods of the year it is recommended to clean and service the stove, see *Maintenance and Servicing section (page 9)*.
- 10.2 The air controls should be set in the 50% open position to keep the appliance ventilated, and stop the build-up of any moisture inside.
- 10.3 Before re-lighting the stove remove the baffles, clear any debris that may have accumulated, and check the flue is clear of any blockages.

MAINTENANCE and SERVICING

See chart on page 10 for common spare parts referred to in this section.

For a complete list of spare parts and accessories contact your Yeoman dealer for the Stovax Fireplace, Stove & Hearth Accessories Brochure or call 01392 474011

1. GENERAL CLEANING

Before any cleaning is carried out, allow the stove to cool thoroughly to avoid risk of burns.

- 1.1 We would recommend that your Yeoman stove be cleaned fully on a regular basis, according to the level of use. Attention should be given to cleaning the baffle system, flueways and removing ash. Regular cleaning and preventive maintenance will help give many years of safe use.
- 1.2 The external paintwork may be cleaned using warm soapy water and a soft clean cloth. Wipe dry with a soft clean cloth before re-lighting. Do not leave unit without drying, as this may cause rust.

2. CLEANING GLASS

- 2.1 While the correct use of the Airwash system, and good quality fuel, will generally keep the glass clean when the appliance is used you may sometimes need to clean the glass.
- 2.2 This can be done as follows. Allow the Yeoman stove to cool fully, never attempt to clean hot glass. Any deposits can be removed using a soft cloth and Glass Cleaner.
- 2.3 Before re-lighting the appliance, dry the glass fully.
- 2.4 **Do not use abrasive cleaner or cleaning pads.**

3. CHIMNEY SWEEPING

- 3.1 We would recommend that to maintain the safe and efficient use of the appliance the flue / chimney is inspected and swept at least **once a year, by a NACS Registered (UK only)/ INFO Registered (Eire only) chimney sweep who will issue you with a certificate confirming the work completed and the condition of the flue/chimney.**

4. ANNUAL SERVICE

At the end of the heating season it is recommended once the stove is cold, to strip, inspect and clean the stove as detailed: -

- 4.1 Carefully remove all of the following internal parts. Internal Baffle, Complete grate, and Ashpan. See sections 5 and 6 pages 10 and 11 for the instructions on how to remove the baffles.
- 4.2 Vacuum clean any remaining ash and debris from the inside of the stove. We offer a filter/collection unit that attaches to and protects your vacuum cleaner from the fine ash. Ash Clean (Part no. 2091).

- 4.3 Clean the internal surfaces, baffles and grate parts of the stove using a wire brush and scraper as required and check the parts for any damage. Replace any damaged parts. Vacuum and brush the resulting debris from the stove, then give the inside of the stove a protective coating of light oil such as WD40®.
- 4.4 Check the parts for any damage. Replace any damaged parts.
- 4.5 Re-fit cleaned internal parts.
- 4.6 Remove the glass from the doors, see section 7, page 11 and discard all old rope seals.
- 4.7 Remove the door rope seal from the outer edge of the doors and clean the old glue from the door sealing rope groove.
- 4.8 Clean the door glass using Stove Glass Cleaner and a soft cloth, do not use abrasive cleaners to remove tar or soot deposits from the glass.
- 4.9 Replace the glass edge seal with new and re-fit the glass into place in the doors.
- 4.10 Fit new door rope seal, gluing it in place with a generous bead of Thermic Seal Glue into the rope locating groove. Press the new door sealing rope into the locating groove, placing the joint in the middle of the lower edge of the door. When fitting new door seals we recommend closing the stove door and leaving for at least 12 hours before using. This allows the adhesive to fully bond to the seal before use.
- 4.11 Lightly oil the door catch mechanisms and hinge pins. Avoid getting oil onto the door seals and glass.
- 4.12 To refresh painted finishes it is possible to re-paint using stove paint.
- 4.13 We recommend that only genuine Yeoman replacement parts are used to keep your appliance in safe and efficient working order. Your local Yeoman dealer will be able to provide you with the genuine parts you require.

MAINTENANCE and SERVICING

This is a list of the maintenance products you may need to use

Task	Product Name	Stovax Code number
Glass Cleaning	Stove glass cleaner 500ml – wipe on	4111
	Stove glass cleaner 500ml – Spray on	4103
Preventing build-up of creosote in flue	Protector (15 sachets)	7002
	Protector (1kg tub)	7025
Sealing Flue pipe joints	Fire Cement - 500g tub	2020
	Fire Cement - 600g cartridge	2021
Repainting	Yeoman Black (400ml aerosol)	YM-V00971
Cleaning matt black stoves	Collodial black (85ml)	7000
Protecting your hands	Heat resistant leather gloves	YM-E00007
Door sealing rope	14mm Black rope seal – (handy pack)	5000
	14mm Black rope seal – (25m reel)	4670
Glass sealing rope	3mm Black rope seal – (handy pack)	4975
	3mm Black rope seal – (25m reel)	4974
Fixing door seal	Thermic seal glue – (50ml bottle)	5037
Ash Clean	Ash Clean vacuum cleaner attachment	2091

4.15 These products, all available from your local Yeoman dealer, along with regular maintenance and use of the correct fuels, will help you to keep your stove in the best possible condition.

If you require more information about Yeoman products visit our web site www.yeoman-stoves.co.uk or www.stovax.com.

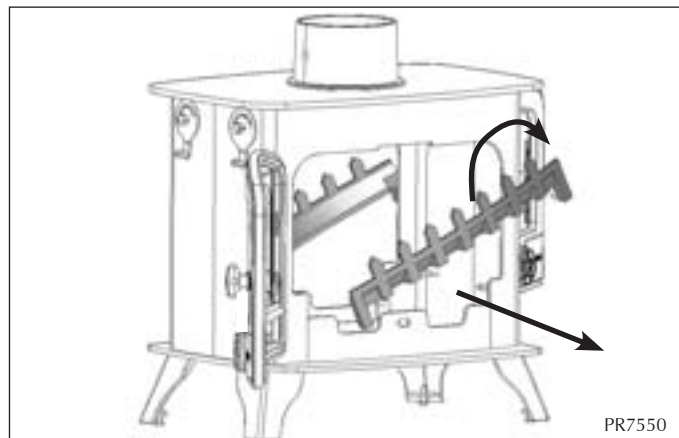
4.16 When using the stove for the first time again it is best to burn the fire at a low output for the first day of use. This will allow the new seals to settle and all new fixing glues and paint to fully cure.

4.17 During this time, the stove may give off some unpleasant odours, and we recommend that you keep the room well ventilated during this period to avoid a build-up of fumes.

4.18 If you require help, your local Yeoman dealer will be able to carry out all of your service and maintenance requirements for a reasonable cost.

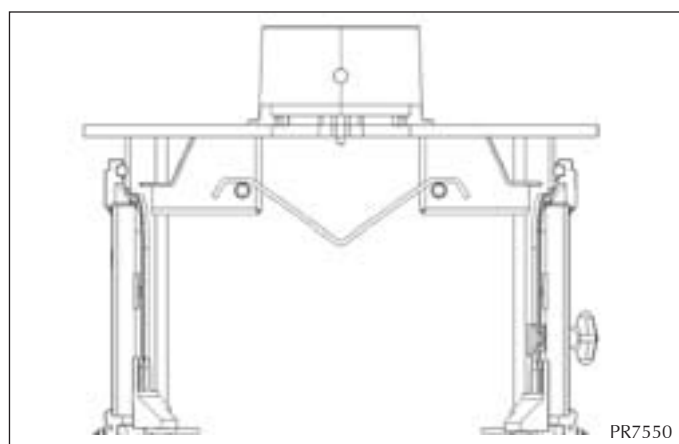
5. REMOVAL OF THE LOG GUARD

- 5.1 Remove the log guards by lifting clear of the supporting brackets and rotating to clear the sides of the door opening. The stove should not be used without the log guard in position.



6. FITTING AND REMOVAL OF BAFFLES

Exe Double Depth, Devon Single Depth, Devon Double Depth & County Single Depth.
Single Piece Baffle



- 6.1 To maintain efficient combustion the stove is fitted with a baffle in the top of the firebox.
- 6.2 Allow the stove to cool fully before removing the baffle system.
- 6.3 To fit the baffle, open the door and remove the log guard to give access to the firebox.
- 6.4 Manoeuvre the baffle into the stove across the firebox. Lift one end up and rest it on the baffle pins, pushing it as far to that side as possible. Raise the opposite end up above the baffle pins, insert the baffle extension tubes over the baffle pins and lower that end of the baffle plate down to rest on these tubes.

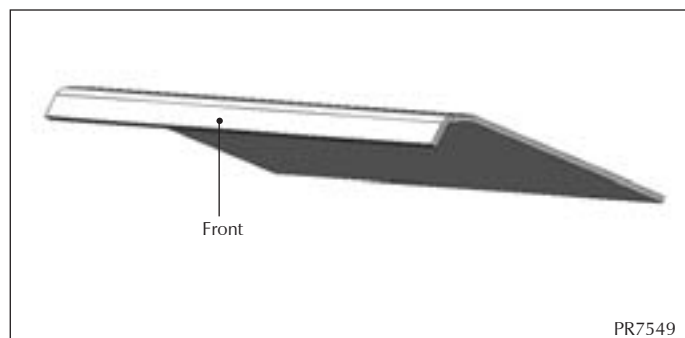
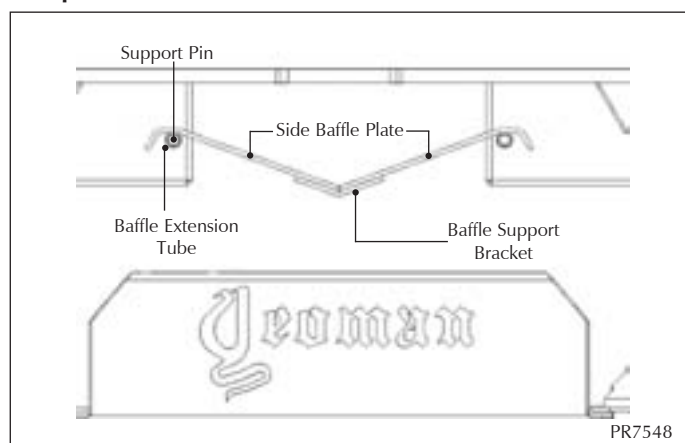
MAINTENANCE and SERVICING

6.5 Raise the other end of the baffle plate and attach the baffle extension tubes to the baffle pins, lower the baffle plate onto these tubes.

6.6 Centre the baffle plate.

County (double depth, double sided models only)

Two piece baffle



6.7 To maintain efficient combustion the stove is fitted with a baffle in the top of the firebox.

6.8 Allow the stove to cool fully before removing the baffle system.

6.9 To fit the baffle, open the door and remove the log guard to give access to the firebox.

6.10 Manoeuvre one of the baffle plates into the stove with the shorter flat area closest to you. Raise this edge up past the baffle pins and locate the rear edge on the baffle support bracket. Attach the baffle extension tubes and lower the front edge to rest on them.

6.11 Repeat the operation from opposite side with second baffle plate.

6.12 The removal of the system is the reverse of the previous operations.

6.13 It is important to remove and clean the Baffle System to ensure the flue ways are clear of soot and debris and to ensure the safe and efficient operation of the stove. The frequency of cleaning will depend on the stove operating conditions.

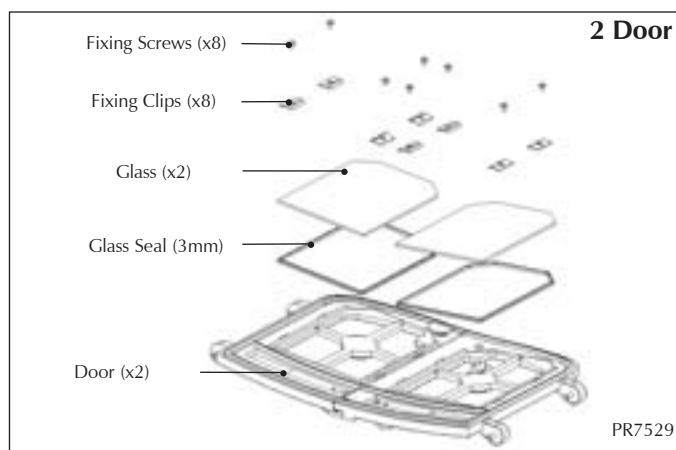
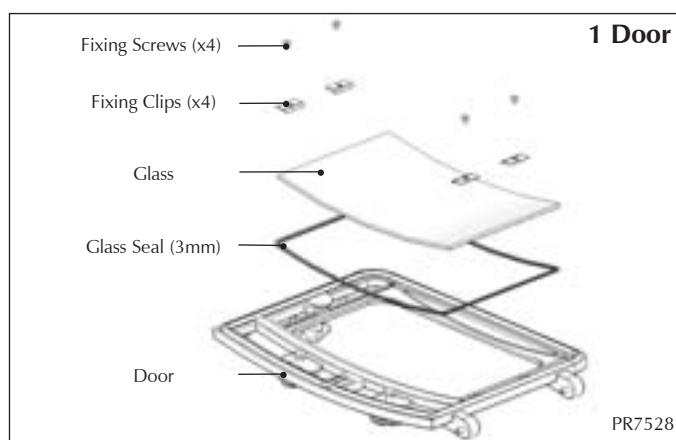
6.14 The baffle system is designed to give safe and efficient operation of the stove. Replace any damaged baffles immediately.

6.15 Do not modify the baffle system.

7. FITTING A NEW GLASS DOOR

7.1 To maintain the safe use of your stove you may need to replace a damaged door glass.

7.2 To do this, remove the door, by opening and lifting the door free of the hinge blocks. Then lie the door face down on a soft flat surface, to protect the paintwork and glass.



7.3 Using a screwdriver remove the glass clip fixing screws. The old glass can then be lifted clear of the door. (Note how the 3mm sealing rope is placed between the glass and the door.) Remember to dispose of the old glass safely.

7.4 Clean, and re-paint, the rear of the door if required. Clean the screws with light oil and coat with high temperature anti-seize grease, this will aid future removal.

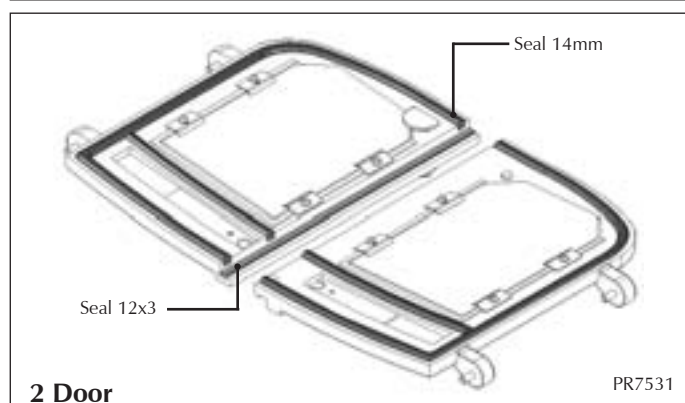
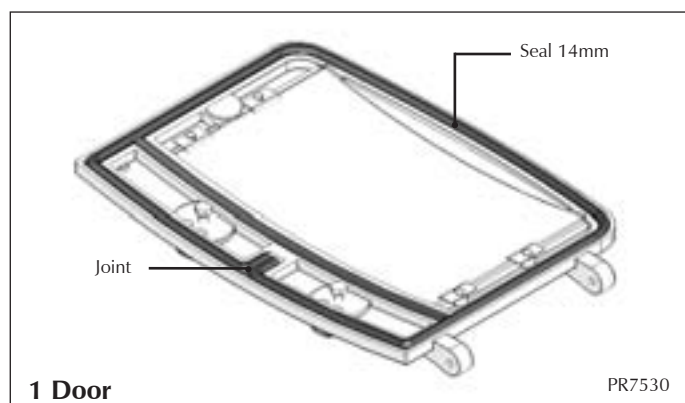
7.5 Fit a new sealing rope between the new glass and the door, and place the glass into position in the door. Place the glass fixing clips into position and re-fix with the clean fixing screws, tighten the screws evenly until the clips hold the glass. Do not over tighten the clips as this could break the glass.

MAINTENANCE and SERVICING

- 7.6 Fit only Yeoman ceramic glass, which is suitable to use in high temperature applications.
- 7.7 Using the stove with a damaged door glass could cause dangerous fumes to enter the room, or the stove to overfire, resulting in damage.

8. FITTING A NEW DOOR SEAL

- 8.1 To maintain the safe use of your stove you may need to replace a damaged or worn door sealing rope. To complete this operation, use this method.
- 8.2 Remove the door from the stove, by opening and lifting the door free of the hinge blocks. Then lie the door face down on a soft flat surface, to protect the paintwork and glass.



- 8.3 Remove the old rope and scrape old glue from the locating grooves. Clean the locating groove with a clean dry cloth to remove all old dust and debris.
- 8.4 Squeeze a generous bead of fresh Thermic Seal glue into the rope locating groove (Part no. 5037). Press the new Stovax rope into the locating groove, placing the joint in the middle of the lower edge of the door.
- 8.5 Refit the door and close the door to apply pressure to new rope. Leave the stove closed for at least 12 hours before lighting the stove and using at a low output for approximately one day.
- 8.6 Using the stove with a damaged door seal could cause dangerous fumes to enter the room, or the stove to overfire, resulting in damage.

If you require help, your local Yeoman dealer will be able to carry out all of your service and maintenance requirements for a reasonable cost.

9. ADJUSTING DOOR CATCH (ALL MODELS)

- 9.1 To adjust the fit of the door catch rotate the door knob clockwise to loosen the fit or anti-clockwise to tighten the fit. This adjustment should be made in steps of one full turn of the door knob. The flat edge of the door cam should be parallel with the door opening on the stove body when the door is open.

CARE OF YOUR STOVE

To help you get the best performance from your stove and keep it in good condition, inside and out, we offer a wide range of cleaning and maintenance products as well as a host of accessories to help you enjoy the maximum pleasure from your stove. Your Yeoman retailer will be able to provide full details but here is a brief list of items that may be of interest:

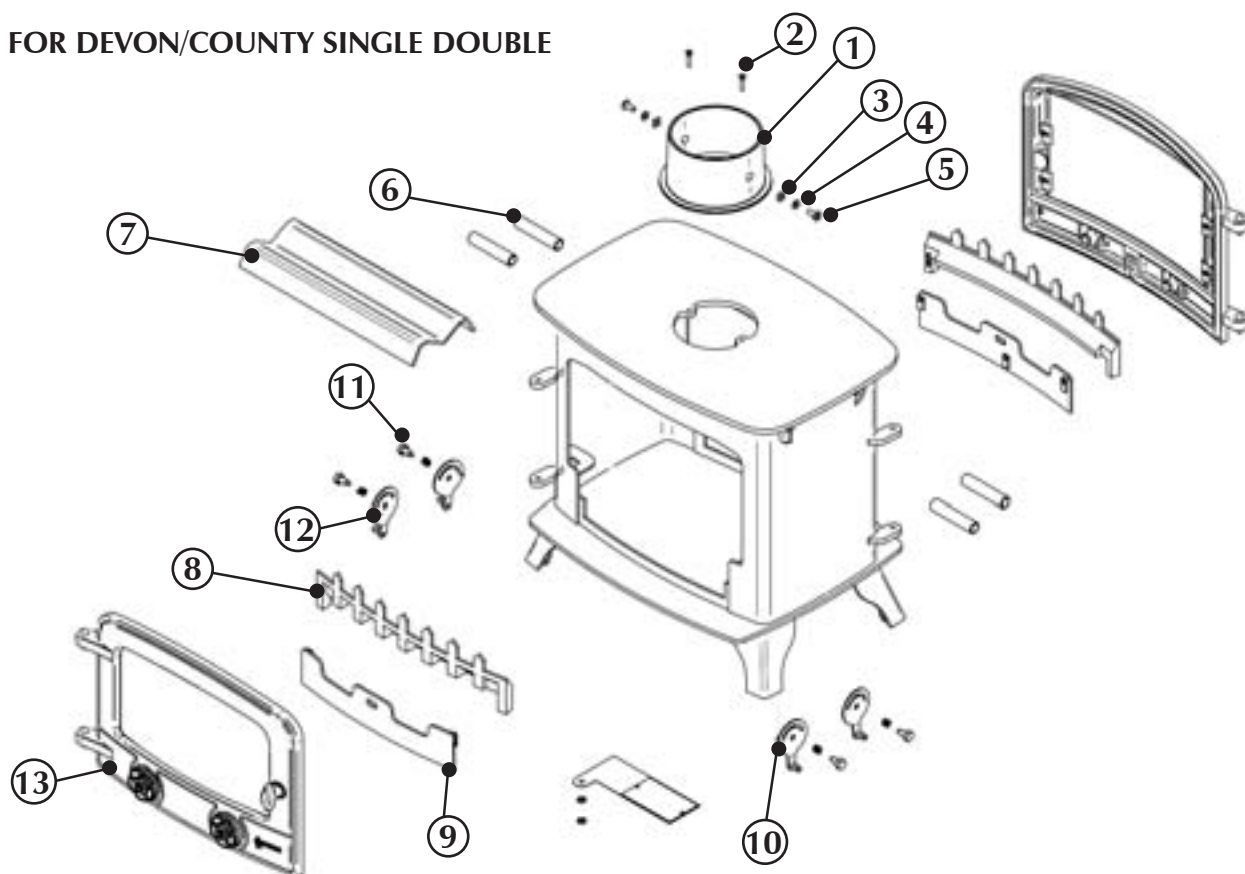


Product Code	Description
3047	Extra long matches
5039	Gas lighter
4052	Log basket
3048	Wood sling - for easy carrying of logs
3016	Log tongs
4027	Extra long protective gloves
3046	Stove pipe thermometer
5038	Ash caddyHearthgate - 5 section (for areas 1780x610mm)
5044	Ash caddyHearthgate - 7 section (for areas 1780x405mm)
4227	Ash caddy
4228	Ash caddy
2091	Ashclean vacuum cleaner attachment
4232	Steel brush

Your retailer will also be able to provide genuine spare parts such as replacement glass, door sealing rope and fire bricks, as and when required. Remember, an annual service is recommended to keep your appliance in best possible condition.

BASIC SPARE PARTS LIST

FOR DEVON/COUNTY SINGLE DOUBLE



FOR DEVON SINGLE DOUBLE

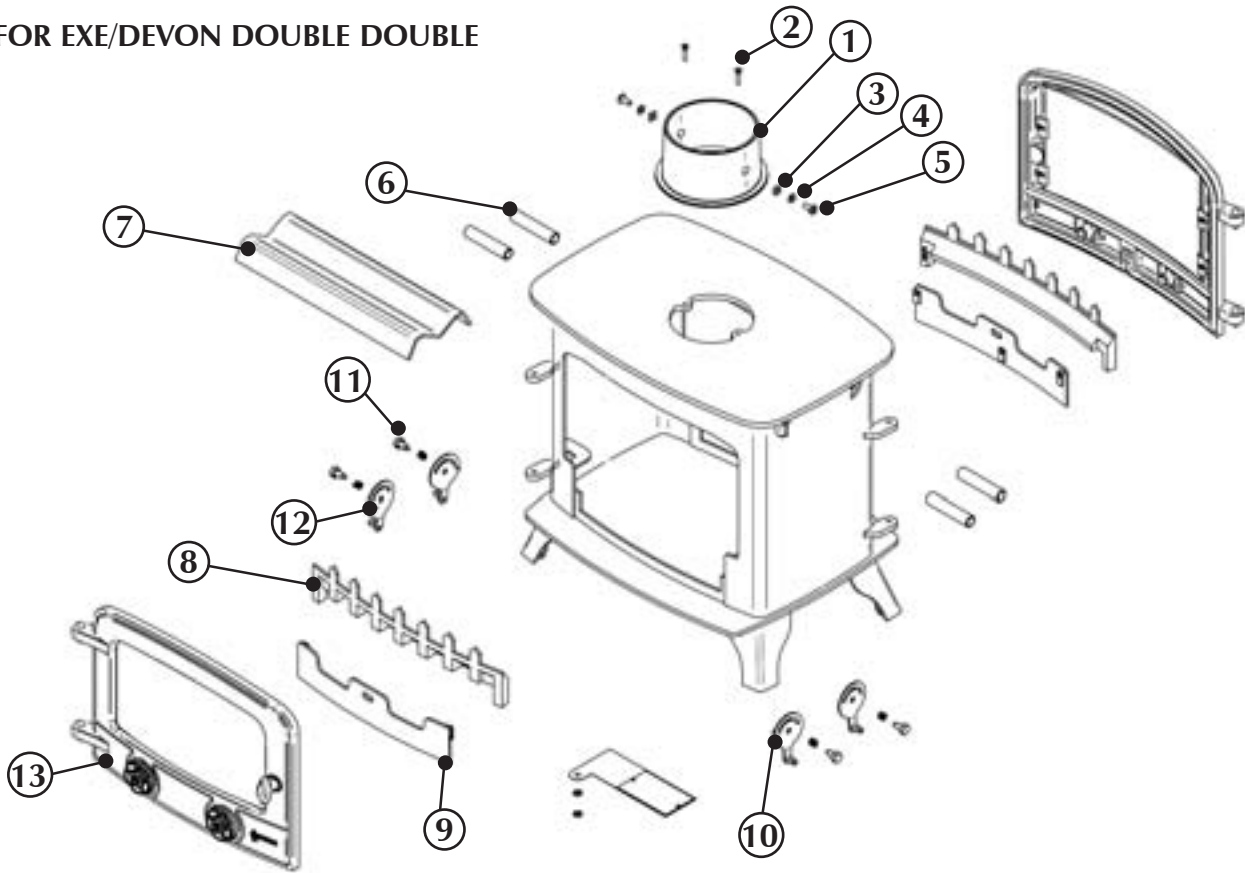
Diagram No.	Part No.	Description
1	YM-YM00545	Devon/Exe/County 6" Cast Flue Spigot
2	YM-F00088	M6 x 30 Countersunk Allen Head Screw
3	YM-F00019	M8 Roofing Nut
4	YM-F00015	M8 Washer
5	YM-F00005	M8 Roofing Bolt
6	YM-C00008	Baffle Extension Tube
7	YM-C34007CE	Devon Single Double Baffle
8	YM-YM81080	Devon/Exe CE Log Bar
9	YM-YA81422CE	Devon Drop In Ashpan Cover
10	YM-YA33958	Double Airwash Spinner Assembly RH
11	YM-F00030CE	Double Airwash Spinner Bolts
12	YM-YA33661	Double Airwash Spinner Assembly LH
13	YM-YA1DEXWD-ISO YM-YA2DEXWD-ISO	Yeoman Devon/Exe/County Wood 1 Door Assembly Yeoman Devon/Exe/County Wood 2 Door Assembly

FOR COUNTY SINGLE DOUBLE

Diagram No.	Part No.	Description
1	YM-YM00545	Devon/Exe/County 6" Cast Flue Spigot
2	YM-F00088	M6 x 30 Countersunk Allen Head Screw
3	YM-F00019	M8 Roofing Nut
4	YM-F00015	M8 Washer
5	YM-F00005	M8 Roofing Bolt
6	YM-C00008	Baffle Extension Tube
7	YM-C40007CE	County Single Double Baffle
8	YM-YM05080	County CE Log Bar
9	YM-YA05422	County Drop In Ashpan Cover
10	YM-YA40658	County Airwash Spinner Assembly RH
11	YM-F00030CE	Double Airwash Spinner Bolts
12	YM-YA40661	County Airwash Spinner Assembly LH
13	YM-YA1DEXWD-ISO YM-YA2DEXWD-ISO	Yeoman Devon/Exe/County Wood 1 Door Assembly Yeoman Devon/Exe/County Wood 2 Door Assembly

BASIC SPARE PARTS LIST

FOR EXE/DEVON DOUBLE DOUBLE



FOR EXE DOUBLE DOUBLE

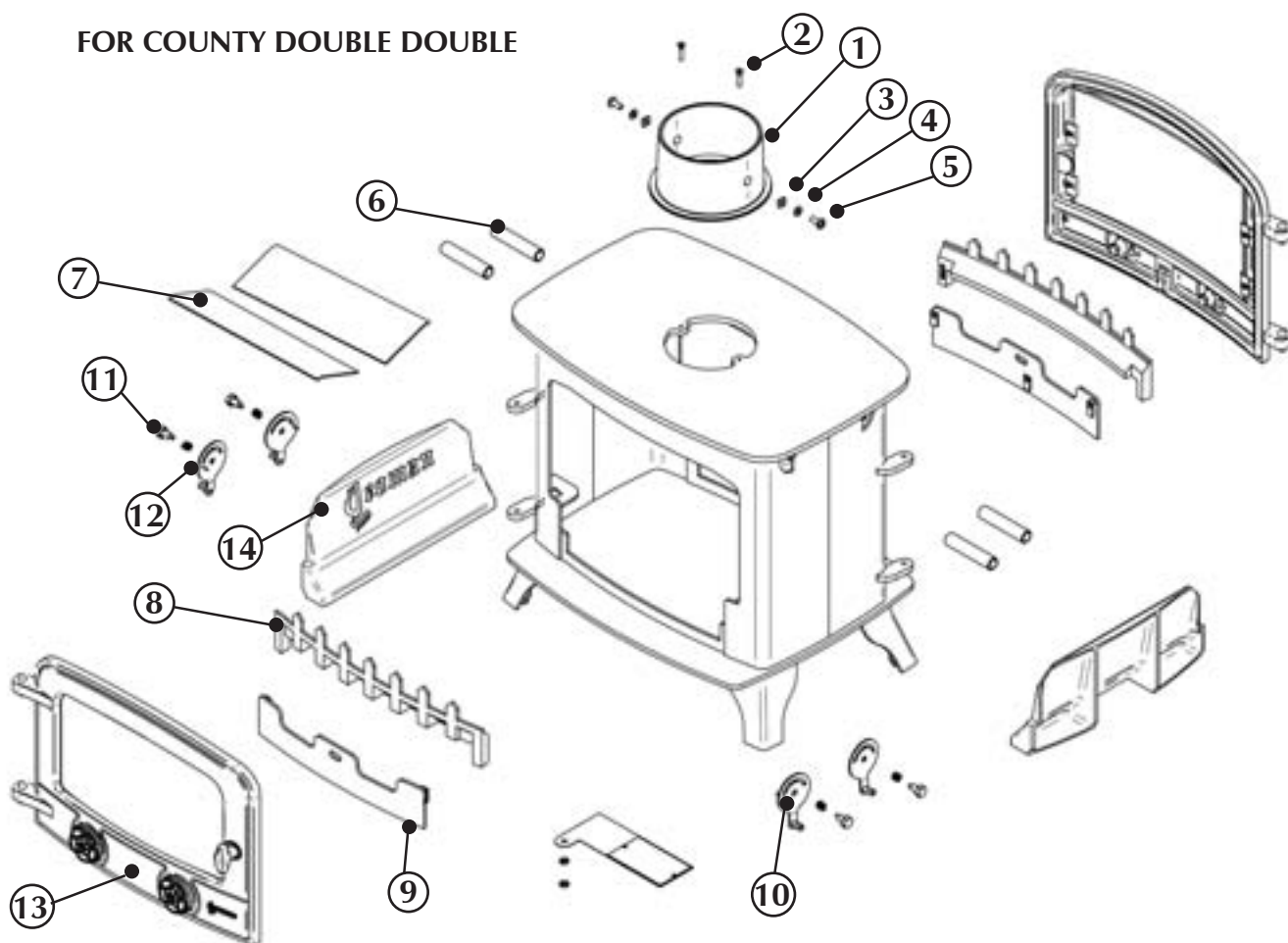
Diagram No.	Part No.	Description
1	YM-YM00545	Devon/Exe/County 6" Cast Flue Spigot
2	YM-F00088	M6 x 30 Countersunk Allen Head Screw
3	YM-F00019	M8 Roofing Nut
4	YM-F00015	M8 Washer
5	YM-F00005	M8 Roofing Bolt
6	YM-C00008	Baffle Extension Tube
7	YM-C33007CE	Exe Double/Double Baffle
8	YM-YM81080	Devon/Exe CE Log Bar
9	YM-YA81422CE	Exe Drop In Ashpan Cover
10	YM-YA33958	Double Airwash Spinner Assembly RH
11	YM-F00030CE	Double Airwash Spinner Bolts
12	YM-YA33661	Double Airwash Spinner Assembly LH
13	YM-YA1DEXWD-ISO YM-YA2DEXWD-ISO	Yeoman Devon/Exe/County Wood 1 Door Assembly Yeoman Devon/Exe/County Wood 2 Door Assembly

FOR DEVON DOUBLE DOUBLE

Diagram No.	Part No.	Description
1	YM-YM00545	Devon/Exe/County 6" Cast Flue Spigot
2	YM-F00088	M6 x 30 Countersunk Allen Head Screw
3	YM-F00019	M8 Roofing Nut
4	YM-F00015	M8 Washer
5	YM-F00005	M8 Roofing Bolt
6	YM-C00008	Baffle Extension Tube
7	YM-C37007CE	Devon Double Double Baffle
8	YM-YM81080	Devon/Exe CE Log Bar
9	YM-YA81422CE	Devon Drop In Ashpan Cover
10	YM-YA33958	Double Airwash Spinner Assembly RH
11	YM-F00030CE	Double Airwash Spinner Bolts
12	YM-YA33661	Double Airwash Spinner Assembly LH
13	YM-YA1DEXWD-ISO YM-YA2DEXWD-ISO	Yeoman Devon/Exe/County Wood 1 Door Assembly Yeoman Devon/Exe/County Wood 2 Door Assembly

BASIC SPARE PARTS LIST

FOR COUNTY DOUBLE DOUBLE

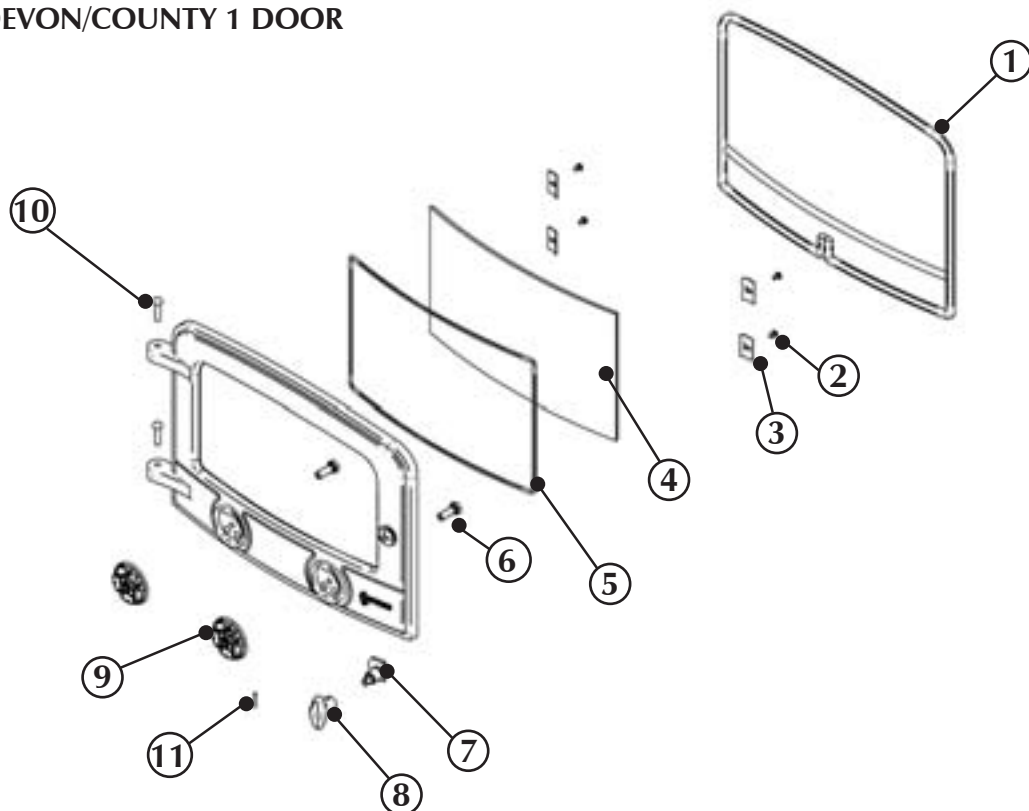


FOR COUNTY DOUBLE DOUBLE

Diagram No.	Part No.	Description
1	YM-YM00545	Devon/Exe/County 6" Cast Flue Spigot
2	YM-F00088	M6 x 30 Countersunk Allen Head Screw
3	YM-F00019	M8 Roofing Nut
4	YM-F00015	M8 Washer
5	YM-F00005	M8 Roofing Bolt
6	YM-C00008	Baffle Extension Tube
7	YM-C43007CE	County Double Double Baffle (2 Per Stove)
8	YM-YM05080	County CE Log Bar
9	YM-YA05422	County Drop In Ashpan Cover
10	YM-YA40658	County Airwash Spinner Assembly RH
11	YM-F00030CE	Double Airwash Spinner Bolts
12	YM-YA40661	County Airwash Spinner Assembly LH
13	YM-YA1DEXWD-ISO YM-YA2DEXWD-ISO	Yeoman Devon/Exe/County Wood 1 Door Assembly Yeoman Devon/Exe/County Wood 2 Door Assembly
14	YM-YM44081	County Double Double Reducers x 2

BASIC SPARE PARTS LIST

FOR EXE/DEVON/COUNTY 1 DOOR



COMMON PARTS FOR EXE/DEVON/COUNTY 1 DOOR

Diagram No.	Part No.	Description
1	4670	14mm Rope Seal Black
2	YM-F00001	M5 x 8 Machine Screw
3	YM-C00353	Standard Glass Clip
5	4974	3mm Rope Seal Black
6	YM-F00010	M10 x 35HH Spinner Bolt
7	YM-B00030CE	Standard Twin Door M18 Door CAM
8	YM-C00328	Black Door Knob - 1 Door Wood
9	YM-YM74058	Rose Spinner
10	YM-F00106	Door Hinge Pin 5/6"
11	YM-F00004	Spiral Pin 3 x 18mm

FOR EXE 1 DOOR

Diagram No.	Part No.	Description
4	GL0252	Stove Glass Devon/Exe CE 1 Door Large

FOR DEVON 1 DOOR

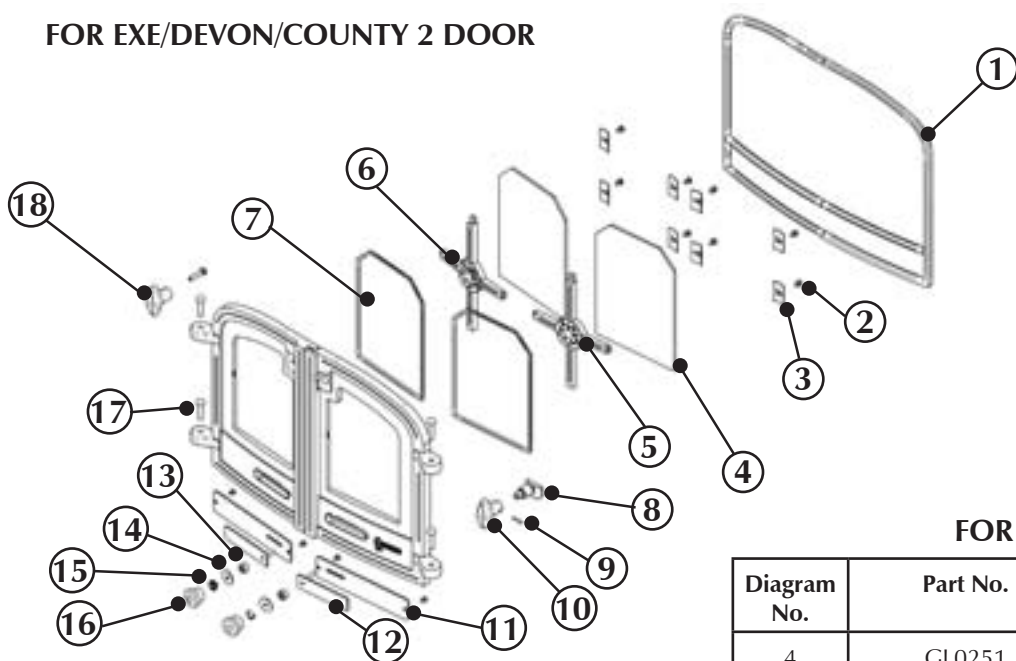
Diagram No.	Part No.	Description
4	GL0252	Stove Glass Devon/Exe CE 1 Door Large

FOR COUNTY 1 DOOR

Diagram No.	Part No.	Description
4	GL0254	Stove Glass County CE 1 Door Large

BASIC SPARE PARTS LIST

FOR EXE/DEVON/COUNTY 2 DOOR



FOR EXE 2 DOOR

Diagram No.	Part No.	Description
4	GL0251	Stove Glass Devon/Exe CE 6 Sided
5	YM-YM81001	Devon/Exe CE Twin Door Cross RH
6	YM-YM81101	Devon/Exe CE Twin Door Cross LH
11	YM-YA81057	Exe Air Slider Inner Plate Assembly
12	YM-C81087	Exe Air Slider Back Plate

FOR DEVON 2 DOOR

Diagram No.	Part No.	Description
5	YM-YM81001	Devon/Exe CE Twin Door Cross RH
6	YM-YM81101	Devon/Exe CE Twin Door Cross LH
11	YM-YA82057	Devon Air Slider Inner Plate Assembly
12	YM-C82087	Devon Air Slider Back Plate

FOR COUNTY 2 DOOR

Diagram No.	Part No.	Description
4	GL0253	Stove Glass County CE 6 Sided (253 x 206)
5	YM-YM05001	County CE Twin Door Cross RH
6	YM-YM05101	County CE Twin Door Cross LH
11	N/A	Not Applicable
12	YM-YA00057CE	County Primary Air Slider Plate

COMMON PARTS FOR EXE/DEVON/COUNTY 2 DOOR

Diagram No.	Part No.	Description
1	4670	14mm Rope Seal Black
2	YM-F00001	M5 x 8 Machine Screw
3	YM-C00353	Standard Glass Clip
7	4974	3mm Rope Seal Black
8	YM-B00030CE	Standard Twin Door M18 Door CAM (RH)
9	YM-F00004	Spiral Pin 3 x 18mm
10	YM-C00228	Twin Door Right Hand Knob
13	YM-B00258	Dev/Exe/Cou/ Primary Air Slider Spacer
14	YM-F00068	M5 x 25 Penny Washer
15	YM-F00258	Dev/Exe/Cou/ Primary Air Slider Spring
16	YM-B00158	Dev/Exe/Cou/ Primary Air Slider Knob
17	YM-F00106	Door Hinge Pin 5/6"
18	YM-C00128	Twin Door Left Hand Knob

EC Declaration of Conformity



The undersigned, representing the following :

Manufacturer
Stovax Ltd Falcon Road, Sowton Industrial Estate Exeter EX2 7LF

Herewith declare that the products :

Description	Product code
Yeoman Exe Single Double	YM-W9121FL YM-W9122FL
Yeoman Devon Single Double	YM-W9211FL YM-W9212FL YM-W9211LC YM-W9212LC YM-W9211HC YM-W9212HC
Yeoman Devon Double Double	YM-W9221FL YM-W9222FC YM-W9221LC YM-W9222LC YM-W9221HC YM-W9222HC

Description	Product code
Yeoman County Single Double	YM-W9311FL YM-W9312FL YM-W9311LC YM-W9312LC YM-W9311HC YM-W9312HC
Yeoman County Double Double	YM-W9321FL YM-W9322FC YM-W9321LC YM-W9322LC YM-W9321HC YM-W9322HC

Description of product : Yeoman domestic wood and multifuel heating stove product range

Steel fabricated stove body fitted with cast iron door sets, various canopy and firegrate options. Supplied in various sizes to give a range of heat output options.

are in conformity with the provisions of the following EC Directive(s) when installed in accordance with the installation instructions in the product documentation :

98/106/EEC Construction Products Directive

and the standards referenced below have been applied :

EN 13240 : 2001 Roomheaters fired by solid fuel – Requirements and test methods

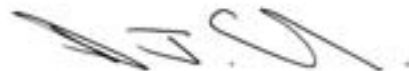
Provisions to which the product conforms :

Product : Roomheater fired by solid fuel as covered under the scope of the standards listed. Intended use : Space heating in residential buildings.		
Characteristic	Performance	Report
Fire safety	Satisfies	
Emission of combustion products	Yeoman Exe (Double double) YM-W9121FL YM-W9122FL CO @ 13% O ₂ Wood 0.27% - Briquetted fuel 0.33%	
	Yeoman Devon (Single double) YM-W9211FL YM-W9211LC YM-W9211HC YM-W9212FL YM-W9212LC YM-W9212HC CO @ 13% O ₂ Wood 0.22% - Briquetted fuel 0.17%	
	Yeoman Devon (Double double) YM-W9221FL YM-W9221LC YM-W9221HC YM-W9222FL YM-W9222LC YM-W9222HC CO @ 13% O ₂ Wood 0.16% - Briquetted fuel 0.24%	
	Yeoman County (Single double) YM-W9311FL YM-W9311LC YM-W9311HC YM-W9312FL YM-W9312LC YM-W9312HC CO @ 13% O ₂ Wood 0.22% - Briquetted fuel 0.11%	
	Yeoman County (Double double) YM-W9321FL YM-W9321LC YM-W9321HC YM-W9322FL YM-W9322LC YM-W9322HC CO @ 13% O ₂ Wood 0.17%	
Release of dangerous substance	None	
Surface temperature	Satisfies	
Mechanical resistance (to carry a chimney/flue)	Maximum weight to be supported 25Kg	
Thermal output / Efficiency	Yeoman Exe (Double double) YM-W9121FL YM-W9122FL Wood 11.0Kw @ 69% - Briquetted fuel 8.0Kw @ 79%	
	Yeoman Devon (Single double) YM-W9211FL YM-W9211LC YM-W9211HC YM-W9212FL YM-W9212LC YM-W9212HC Wood 9.0Kw @ 69% - Briquetted fuel 9.0Kw @ 66%	
	Yeoman Devon (Double double) YM-W9221FL YM-W9221LC YM-W9221HC YM-W9222FL YM-W9222LC YM-W9222HC Wood 13.0Kw @ 65% - Briquetted fuel 12.0Kw @ 66%	
	Yeoman County (Single double) YM-W9311FL YM-W9311LC YM-W9311HC YM-W9312FL YM-W9312LC YM-W9312HC Wood 15.0Kw @ 66% - Briquetted fuel 11.0Kw @ 60%	
	Yeoman County (Double double) YM-W9321FL YM-W9321LC YM-W9321HC YM-W9322FL YM-W9322LC YM-W9322HC Wood 22.0Kw @ 72%	

Test laboratory : 0608

Name : D. J. Saunders

Signature :



Position : Design Engineer

Date : 01/05/2007

Sheet 2 of 2



A division of Stovax Ltd

Falcon Road, Sowton Industrial Estate, Exeter, Devon, England EX2 7LF

Tel: (01392) 474500 Fax: (01392) 219932

E-mail: yeoman@stovax.com www.yeoman-stoves.co.uk