



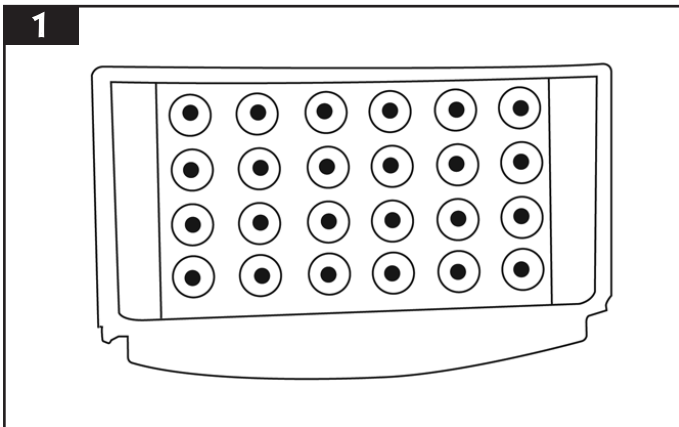
Fitting A Woodburning Tray

THIS ADDITIONAL INSTRUCTION MUST BE ATTACHED TO AND READ IN CONJUNCTION WITH THE INSTALLATION AND USER INSTRUCTIONS FOR:

- Yeoman Boiler Stove - PM302
- The following addition has been designed to compliment the above manual. This addition should be located after:
- Section 7: Ash Removal, *User Section*

1. FITTING THE WOODBURNING TRAY

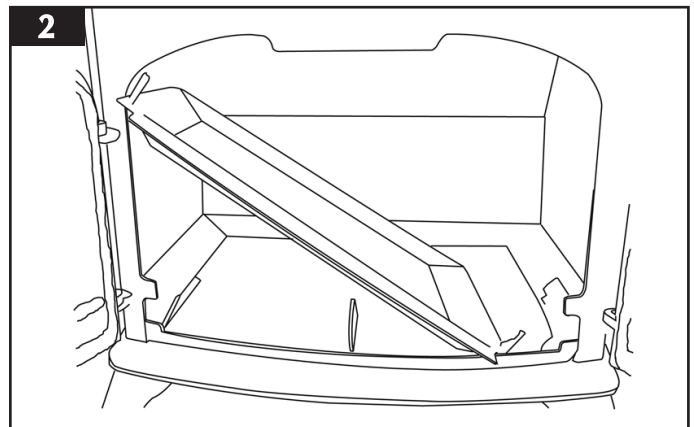
1.1 In order to burn wood continuously in this appliance a Wood Burning Tray should be fitted, Diagram 1



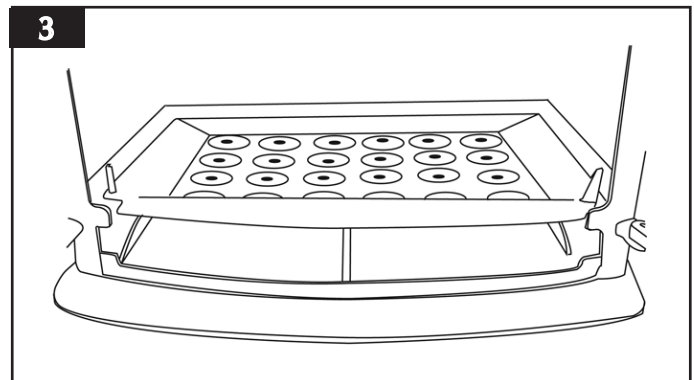
2.2 Remove the Multi-fuel Grate from the appliance see Page 23, Section 4

2.3 To fit the Wood Tray:

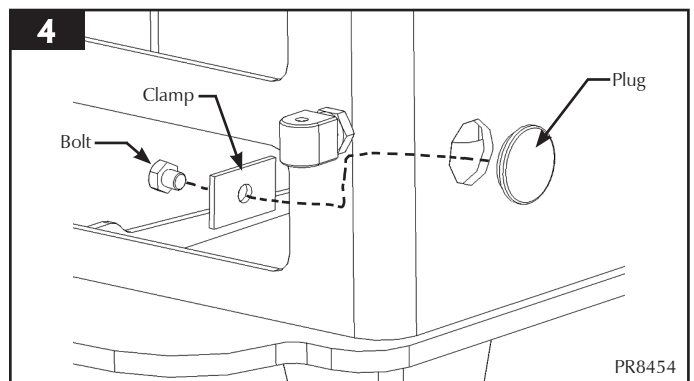
- Remove the Log Bar and Ashlip
- Hold the tray flat with the front edge (indicated by the supports - Diagram 3) pointing forwards
- Tip diagonally and insert through the front of the stove, Diagram 2



- Place flat on the fixings on the bottom of the appliance, Diagram 3



- Fit the plug supplied in the right hand side where the riddling mechanism is located, Diagram 4



- Replace the Log Bar and the Ashlip

PR8454