



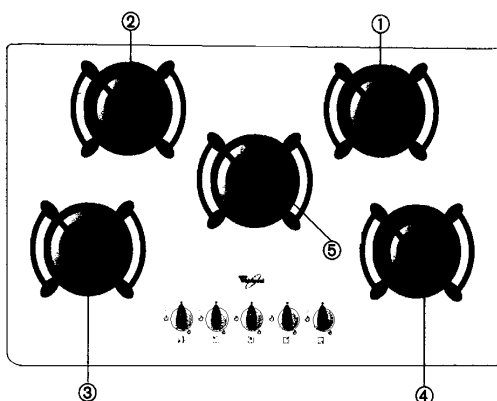
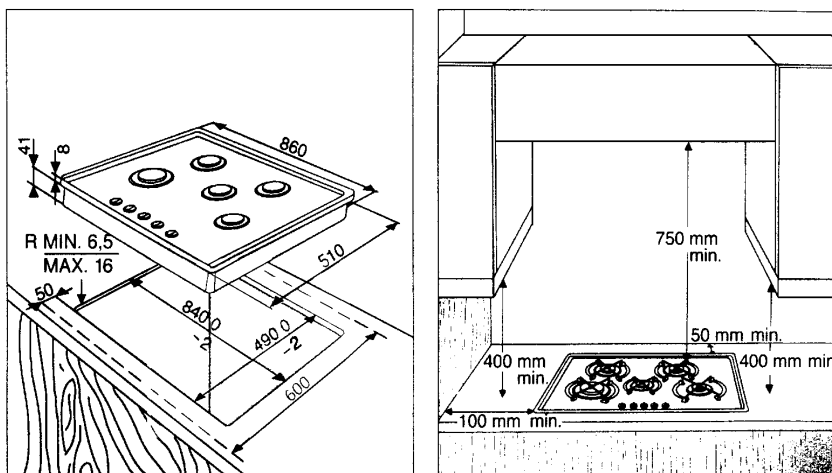
# Service Manual

## Gas hob

### AKM 460/NB/01

<b>Model Version</b>		<b>Page</b>
AKM 460/NB/01 8571 460 38020		
	Technical data	2
	Spare part list	3
	Exploded view	4
	Wiring diagram	5

**Technical data**



4619 997 69391

- 1. Medium burner
- 2. Medium burner
- 3. Large burner
- 4. Small burner
- 5. Large burner

Voltage: 230 V  
 Frequency: 50 Hz

Type of gas used	Type of burner	Injector marking	Rated heat capacity (PCS-kW)	Rated consumption	Reduced heat capacity (PCS-kW)	Gas pressure (mbar)		
						min.	rat.	max.
Natural Gas (Methane) G 20	large	128	3.00	286 l/h	0.60	17	20	25
	medium	94	1.65	157 l/h				
	small	76	1.00	95 l/h				
LPG (Cylinder) G 30	large	85	3.00	218 g/h	0.60	20	28-30	35
	medium	65	1.65	120 g/h				
	small	50	1.00	73 g/h				
LPG (Cylinder) G 31	large	85	3.00	214 g/h	0.60	25	37	45
	medium	65	1.65	118 g/h				
	small	50	1.00	71 g/h				
City Gas G 110	large	270	3.00	680 l/h	0.60	6	8	15
	medium	185	1.65	374 l/h				
	small	145	1.00	227 l/h				

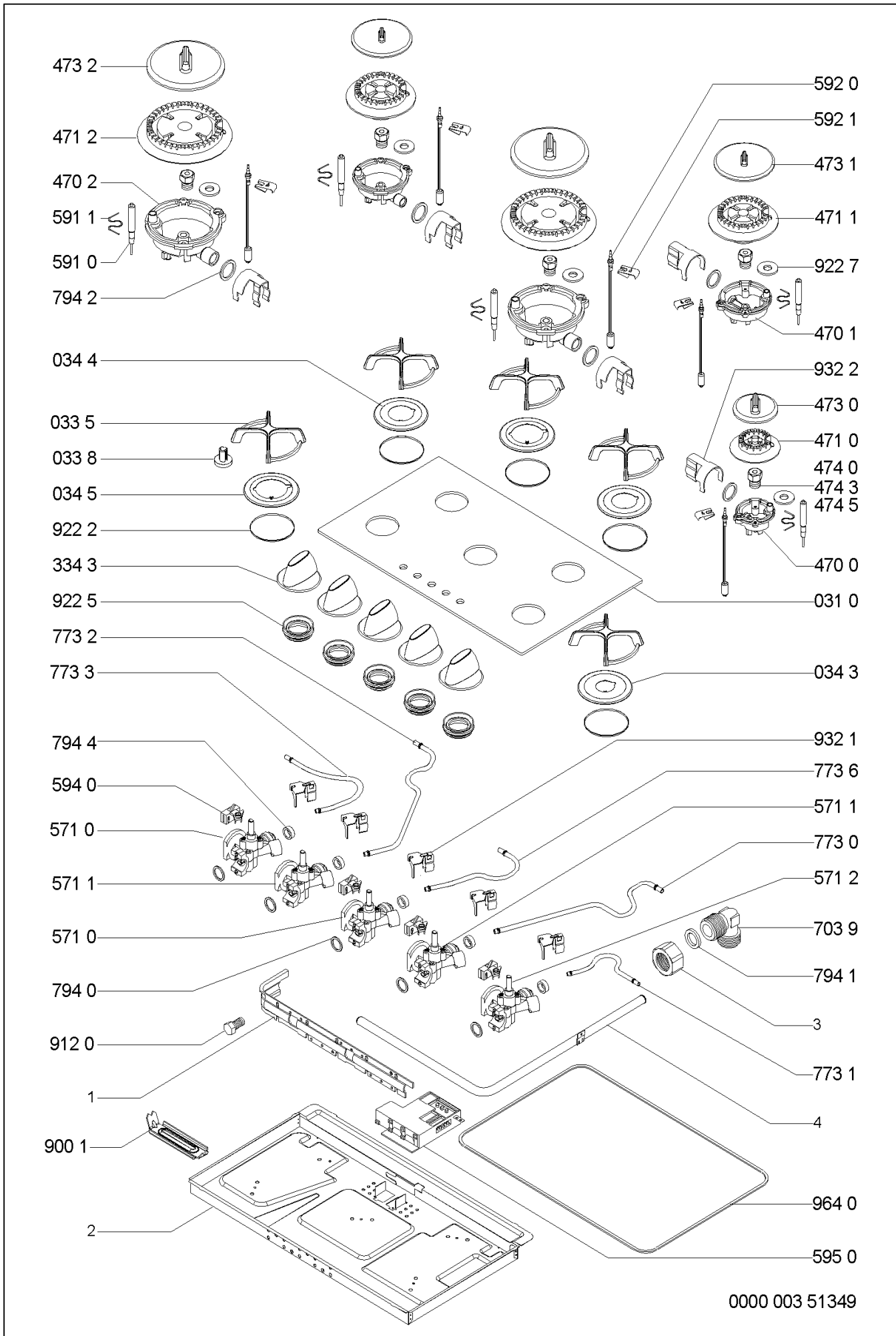
Type of gas used	Appliance model	Total rated heat capacity (PCS-kW)	Total rated consumption	Air required for burning (m/h)
G20 20 mbar	5 gas	10.30	999 l/h	20.6
G30 28-30 mbar	5 gas	10.30	749 g/h	20.6
G31 37 mbar	5 gas	10.30	735 g/h	20.6
G110 8 mbar	5 gas	10.30	2335 l/h	20.6

## Spare part list

Model **AKM 460/NB/01**  
Service No. **857146038020**  
Version **857146038020**

Pos. No.	12NC Code	Description
031 0	<b>4812 450 68255</b>	Glass HOB
033 5	<b>4819 458 68317</b>	Grid for hob
033 8	<b>4819 462 48486</b>	Rubber
034 3	<b>4819 462 58364</b>	Ring fixation
034 4	<b>4819 462 58365</b>	Ring fixation
034 5	<b>4819 462 58366</b>	Ring fixation large burner
334 3	<b>4812 411 28029</b>	Knob
470 0	<b>4819 360 69687</b>	Injector holder A
470 1	<b>4819 360 69686</b>	Injector holder SR
470 2	<b>4819 360 69688</b>	Injector holder set of large gas heater
471 0	<b>4819 360 78396</b>	Burner A
471 1	<b>4819 360 78395</b>	Burner SR
471 2	<b>4819 360 78394</b>	Burner R
473 0	<b>4812 360 68128</b>	Burner cap A
473 1	<b>4812 360 68126</b>	Burner cap SR
473 2	<b>4812 360 68127</b>	Burner cap R
474 0	<b>4819 310 39346</b>	Set of nozzles G20-20 mbar
474 3	<b>4819 310 39347</b>	Set of nozzles G30-29/G31-37 mbar
474 5	<b>4819 310 39484</b>	Set of nozzles G110-8 mbar cap cast iron
571 0	<b>4819 360 58667</b>	Gas cock R
571 1	<b>4819 360 58668</b>	Gas cock SR
571 2	<b>4819 360 58669</b>	Gas cock A
591 0	<b>4819 252 68167</b>	Spark plug
591 1	<b>4819 492 68788</b>	Spring
592 0	<b>4819 138 38109</b>	Thermo couple
592 1	<b>4819 492 68789</b>	Spring
594 0	<b>4819 271 38257</b>	Switch ignition
595 0	<b>4812 145 28001</b>	Electron.ignit.
703 9	<b>4819 310 39599</b>	Tube bend
773 0	<b>4819 530 48672</b>	Pipe, burner rear right
773 1	<b>4819 530 48669</b>	Pipe, burner front right
773 2	<b>4819 530 48673</b>	Pipe, burner rear left
773 3	<b>4819 530 48671</b>	Pipe, burner front left
773 6	<b>4819 530 48674</b>	Pipe, burner middle
794 0	<b>4819 530 58066</b>	Gasket ring
794 1	<b>4819 532 58229</b>	Gasket ring
794 2	<b>4819 530 58065</b>	Gasket ring
794 4	<b>4819 530 58098</b>	Gasket ring
900 1	<b>4819 404 79506</b>	Bracket
912 0	<b>4819 502 18429</b>	Screw
922 2	<b>4819 530 58068</b>	Gasket ring
922 5	<b>4819 530 58102</b>	Rubber
922 7	<b>4819 532 28281</b>	Rosette
932 1	<b>4819 492 68792</b>	Spring
932 2	<b>4819 492 68791</b>	Spring
964 0	<b>4819 468 18267</b>	Gasket hob

**Exploded view**



0000 003 51349

## Wiring diagram

