

TABLE OF CONTENTS

General Information.....	1
Final Assembly	4
Cabinet Assembly.....	6
Can Rack Assembly	10
Lower Ejector Mechanism Assembly.....	14
Upper Ejector Mechanism Assembly.....	16
Refrigeration Assembly.....	18
Evaporator Assembly.....	22
Door Assembly - CD6 Standard.....	24
Door Assembly - 3043-U, 3173	26
Door Assembly - 3038-L, 3038-LE	28
Inner Door Assembly.....	30
Selector Panel Assembly	32
Light Assembly - 3043, 3043-A, 3043-U, 3173	34
Light Assembly - 3038-L, 3038-LE.....	36

SATELLITE TYPES COVERED IN THIS PARTS MANUAL

Standard CD-6 Satellites

3038
3038-A
3038-51
3043
3043-A
3104-SMIII
3104-GBI

Key:

A – Galvanneal
L – Lighted Domestic
LE – Lighted Export
U – Universal Satellite Device
GBI – Great Britain
SMIII – Snack Mart 3

New Display CD-6 Satellites

3038-L
3038-LE

Universal Satellite Device (USD) Mini-Can

3043-U
3173

GENERAL INFORMATION

You may order parts from your distributor or from VendNet™. If you have any questions when placing your order, please call and we'll be happy to assist you. Please provide the following information when placing your order:

- Quantity Required
- Part Number
- Description of part

NOTE

When "Right" and "Left" are used with a part name, it is taken to mean that the person is facing the machine with the door closed.

- Vendor Model Number
- Vendor Serial Number
- Shipping and Billing Address
- Preferred Method of Shipment
- Customer Account Number

MINIMUM ORDER

You may wish to inquire on prices of parts and minimum order amount at the time of your order. If you order less than the minimum, please check our catalog for other parts you may require to bring your order up to the minimum amount.

VendNet™ reserves the right to change these requirements without notice.

PAYMENT

OPEN ACCOUNT with approved credit. MASTER CARD – VISA – DISCOVER – C.O.D.

TO ORDER BY MAIL

You may mail your order for replacement parts by providing the necessary information as requested above to:

VendNet™
165 North 10th Street
Waukee, Iowa 50263-0488
USA

Order forms are available upon request or you may use your own purchase order form.

TO ORDER BY FAX

You may Fax your order for replacement parts by providing the necessary information as requested above to:

VendNet™.
1-515-987-4447

TO ORDER BY PHONE

You may call in your order for replacement parts by providing the necessary information as requested above to VendNet™ Parts Department.

USA 1-888-259-9965

Canada 1-800-858-4760

Other Locations 1-515-274-3641

RETURNS

RESTOCKING CHARGE 20%. A restocking charge of 20% will apply to merchandise accepted by VendNet™ for return, except items processed as warranty.

A Return Form clearly stating the reason for return must accompany all items returned. Returns are to be shipped freight prepaid to VendNet™, 165 North 10th Street, Waukee, Iowa 50263-0488. (Return Forms are available upon request from VendNet™)

LIMITATION OF LIABILITY

VendNet™ shall not be liable for any injury, loss or damage, whether direct, incidental or consequential arising out of the use of or the inability to use any part, parts or products sold by VendNet™. The remedies of the buyer set forth herein are exclusive, and the liability of VendNet™. With respect to any contract or sale or anything done in connection herewith, whether in contract, in tort, under any warranty, or otherwise, shall not, except as expressly provided herein, exceed the price of the part, parts or products on which such liability is based. Any statements or representations about the parts or product, other than those contained herein, do not constitute warranties and shall not be relied on by the buyer and shall have no force of effect unless contained in a written agreement signed by officers of VendNet™.

If you have any questions, check out our internet site

<http://www.vendnetusa.com>

or please call VendNet™.

Ask for the Parts Department.

We will be happy to assist you.

E-Mail: VendNet@vendnetusa.com

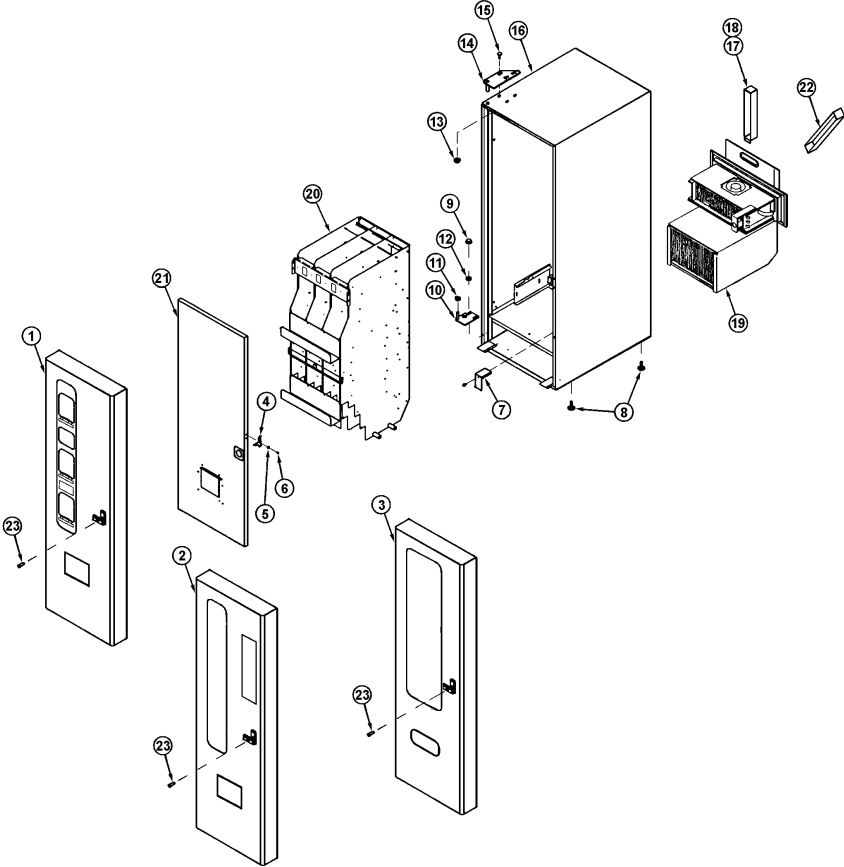
Key

ADHV.. Adhesive
AP Attaching Part
CC Commodity Code
ETW ... External Lock Washer
HWH... Hex Washer Head
MS Machine Screw
PH..... Pan Head Screw
TH..... Truss Head Screw
VDC ... Volt – Direct Current
VAC ... Volt – Alternating Current
W/ With
W/O ... Without

Commodity Codes

AS	Assembly	PL	Plastics
BU	Bushing	PR	Printed Material
CB	Control Board	RA	Rails
CL	Clip	RC	Refrigeration Component
CM	Coin Mech, Validator	RE	Relay
CO	Compressor	RI	Rivet
CP	Clamp	RR	Retaining Rings
DE	Decals, Diagrams	RU	Rubber
EL	Electrical Component	SC	Fastener
FA	Fan	SF	Sign Face
FU.....	Fuse, Breaker	SL	Slide
GA	Gasket	SM	Screw-Machine
GL.....	Glass	SP	Spring, Auger
GR	Grommet	ST	Stamping, Bracket
HA	Harness	SW	Switch
HI	Hinge	TA	Tape
IN	Insulation	TC	Temperature Control, Thermostat
KP.....	Keypad	TU	Tubing
LA	Label, Tag	WA	Washer
LE	Leg, Leveler	WD	Wood
LO.....	Lock	WE	Welded Assembly
LP	Lamp	WF	Wire Forms
MA	Manual	WT	Wire Tie
MO.....	Motor	XF	Transformer, Ballast
NU	Nut		
PI	Pin		

FINAL ASSEMBLY

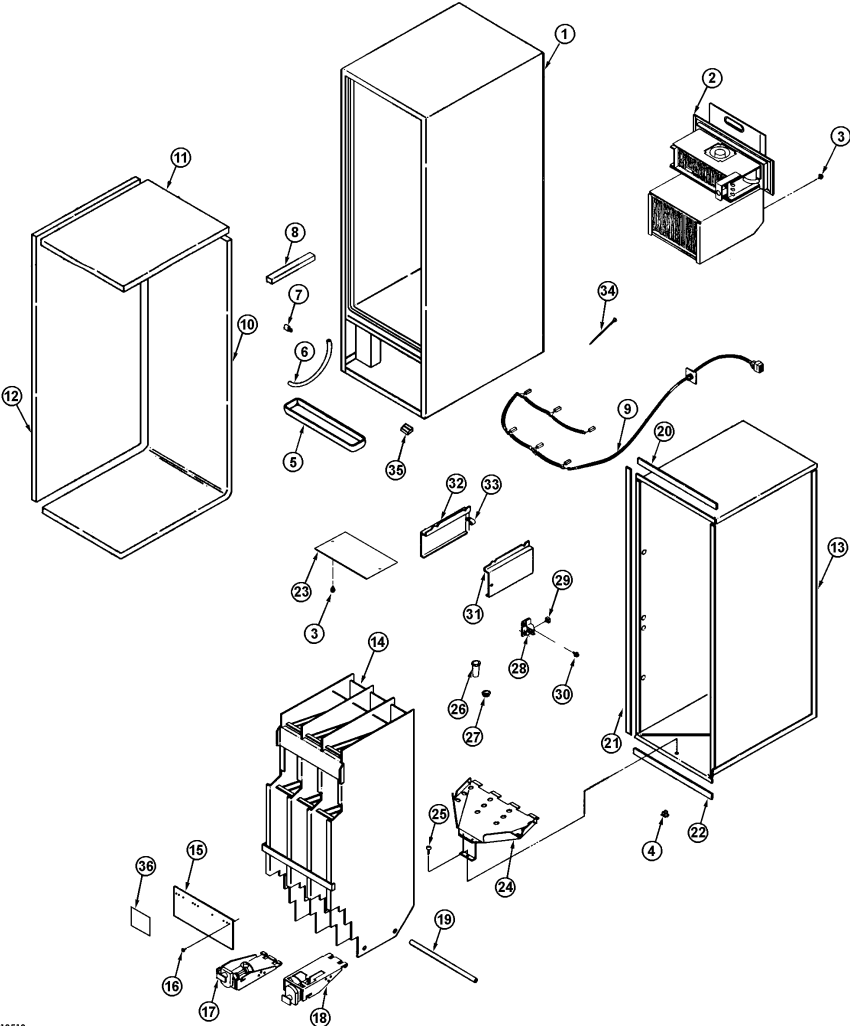


A10512

Final Assembly

ITEM	PART NO.	DESCRIPTION	QTY
1		Door Assembly - CD6 Standard (see page 24)	1
2		Door Assembly - 3043-U, 3173 (see page 26)	1
3		Door Assembly - 3038-L, 3038-LE (see page 28)	1
4	4205002	Inner Door Latch (All Except 3038-L,3038-LE)	1
5	4030100	Bushing Spacer	2
6	4050202	8 - 18 x 1/2 Phillips Hex Washer Head Screw Tek	2
7	4205856	Thermostat Cover	1
8	8363374	Leg Leveler (3043, 3043-A, 3043-U, 3104, 3173 Series)	4
	4060310	Leg Leveler (3038 Series)	4
9	8801388	5/16 - 18 x 3/4 Hex Washer Head Screw Type-D	16
10	1212056.XXX	Lower Hinge Stake (All Except 3038-L, 3038-LE)	1
	1212057.007	Lower Hinge Stake (3038-L, 3038-LE)	1
	1212057.010	Lower Hinge Stake (3173)	1
11	4050767	3/8 Flat Washer	3
12	7186148.000	5/16 Split Lock Washer	2
13	8810015	5/16 - 18 Flange Lock Nut	3
14	1211484.XXX	Upper Hinge Stake (All Except 3038-L, 3038-LE)	1
	1212055.007	Upper Hinge Stake (3038-L, 3038-LE)	1
	1212055.010	Upper Hinge Stake (3173)	
15	4050099	5/16 - 18 x 3/4 Carriage Bolt	3
16		Cabinet Assembly (see page 6)	1
17	4205787.XXX	Suction Line Cover	1
18	4050202	8 - 18 x 1/2 Phillips Hex Washer Head Screw Tek	14
19		Refrigeration Assembly (see page 18)	1
20		Can Rack Assembly (see page 10)	1
21		Inner Door Assembly (see page 30)	1
22	4205788	Cord Cover (3038 Series Only)	1
23	4060330	Lock Cylinder with Two Keys	1
24	1211495.XXX	Service Package (3043, 3043-A, 3038 Series) (not shown)	1
25	1214364	Service Package (3034-U) (not shown)	1
26	1214364.001	Service Package (3173) (not shown)	1
27	1214599	Service Package (3104-GBI) (not shown)	1
28	4201966	Lower Can Ret Plate (3043, 3043-U, 3173) (not shown)	1
29	4201967	Lower Can Ret Label (3043, 3043-U, 3173) (not shown)	1
30	4201844	Can Stop (3043, 3043-A, 3043-U, 3104-GBI, 3173) (not shown)	1
31	4209746	Can Stop (3038-L, 3038-LE) (not shown)	1
32	4201845	Label Can Stop (3043, 3043-U, 3104-GBI, 3173) (not shown)	1
33	4202335	CD-6 Service Manual (3043, 3043-A, 3038 Series) (not shown)	1
34	4208277	CD-6 Service Manual (3043-U, 3173) (not shown)	1
35	4208425	CD-6 Service Manual (3104-GBI) (not shown)	1
36	4210126	CD-6 Service Manual Addendum (3038-L, 3038-LE) (not shown)	1
37	4206816	Safety Manual (All Except 3104-SMIII) (not shown)	1
38	4050241	8-18x3/4 Pan Head Screw Type-AB (All Except 3104 Series) (not shown)	4
39	4203252	Can Chute Anti-Cheat (All Except 3038-L, 3038-LE) (not shown)	1
40	4203252.001	Can Chute Anti-Cheat (3173) (not shown)	1
41	1200137.172	Can Chute Anti-Cheat (3038-L, 3038-LE) (not shown)	1
42	4207074	Install Instructions Anti-Cheat (All Except 3038-L, 3038-LE) (not shown)	1
43	4205659	Install Instructions Anti-Cheat (3038-L, 3038-LE) (not shown)	1

CABINET ASSEMBLY



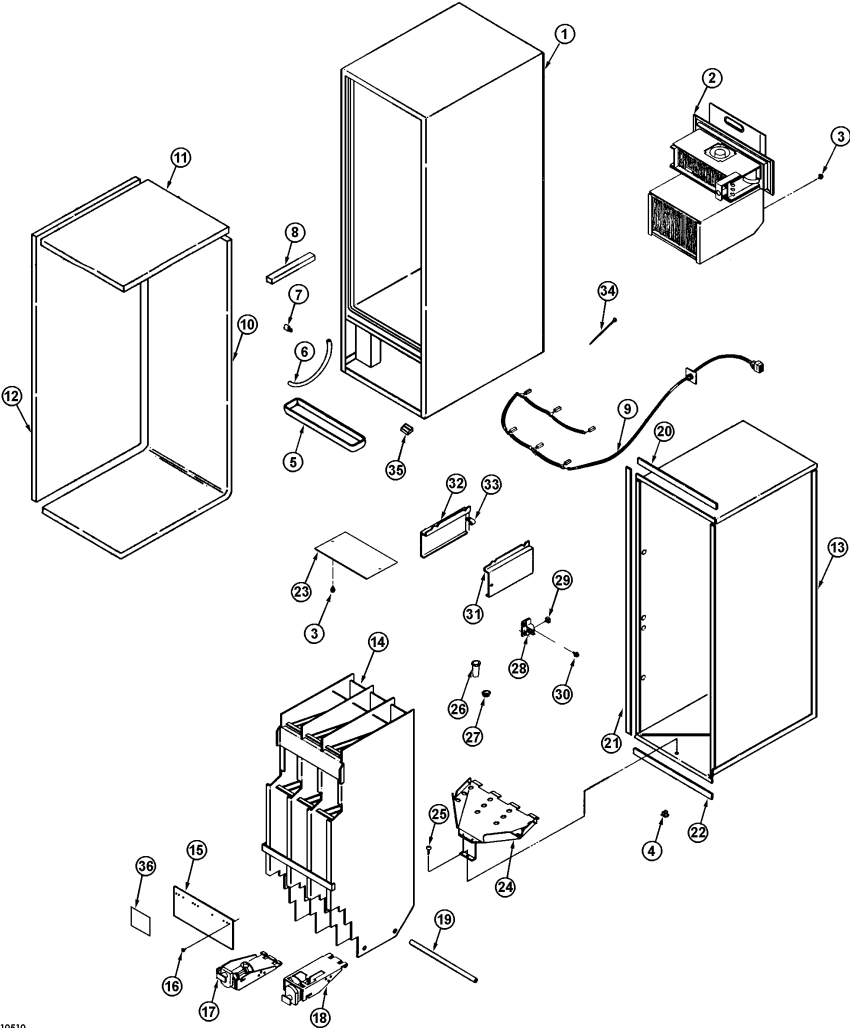
A10510

Cabinet Assembly

ITEM	PART NUMBER	DESCRIPTION	QTY
		Cabinet Assembly (Column 1)	1
1		Cabinet Weldment (Column 2)	1
2		Refrigeration Assembly (see page 18)	1
3	4050202	8-18x1/2 Phillips HWH Tek	16
4	4202189	Snap-In Plastic Spring – 1/4	8
5	7200623.000	Drain Pan	1
6	4025410.000	Mayon Tubing – 24"	1
7	7200341.000	Tube Clip (3043, 3043-A, 3038 Series)	1
8	4201398	Wood Liner Support	2
9		Umbilical Harness (Column 3)	1
10	4202286	Back and Bottom Insulation (All Except 3104 Series)	1
11	4202287	Top Insulation (All Except 3104 Series)	1
12	4202285	Side Insulation (All Except 3104 Series)	2
13	1211179	Liner Weldment Assembly	1
14		Can Rack Assembly (see page 10)	1
15	4201555	Motor Cover W/Holes (3043, 3043-A)	1
	4202992	Motor Cover W/Holes (3043-U, 3104 Series, 3038, 3173 Series)	1
16	8800636	8-18x1/2 Phillips Pan Head Type B	9
17		Upper Ejector Mechanism Assembly (see page 16)	3
18		Lower Ejector Mechanism Assembly (see page 14)	3
19	8620197.002	Tube Rack Support	2
20	4202278.002	1.56W x 20.75 Foam Tape	1
21	4202278.001	1.56W x 54.31 Foam Tape	2
22	4202279.001	1.25W x 20.75 Foam Tape (All Except 3104 Series)	1
	4202279	1.25W x 50 Foam Tape (3173)	2

MODEL	COLUMN 1 CABINET ASSEMBLY	COLUMN 2 CABINET WELDMENT	COLUMN 3 UMBILICAL HARNESS
3043 – 230V	1212682	1211430-012	4205078
3043-U – 230V	1214377	1211430-018	4208401
3173	1214377.001	1211430.022	4208368.001
3104-GBI – 230V Great Britain	1214384-001	1211430-020	4202326
3104-SMIII – 230V	1214384	1211430-019	4202326
3043-A – 230V	1212682-001	1211430-017	4205078
3038-L, 3038-LE	1214886	1211430-021	4202326
3038-51	1212190-001	1211430-003	4206501
3038, 3038-A	1212190	1211430-005	4202326

Cabinet Assembly (continued)

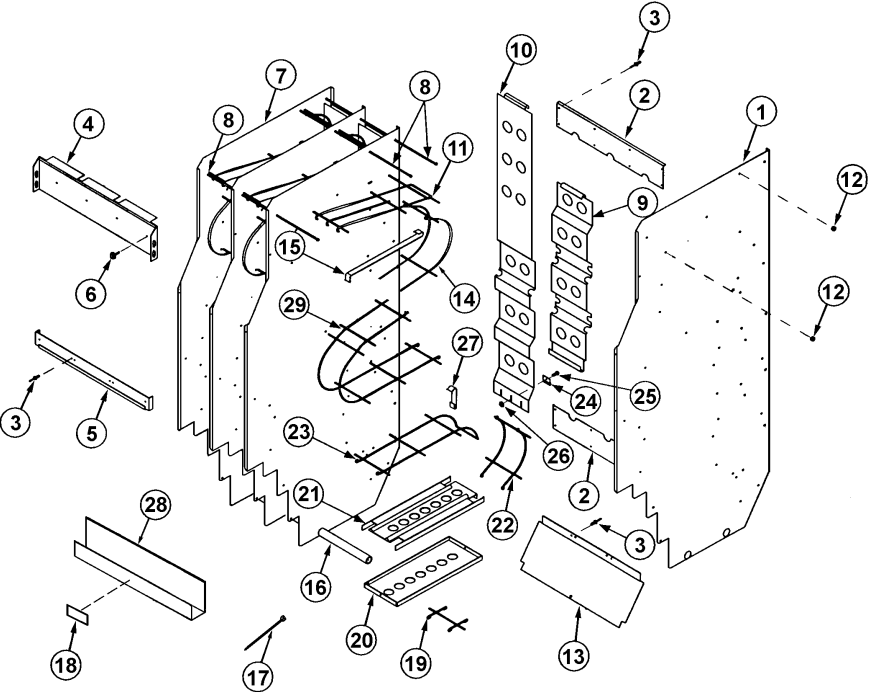


A10510

Cabinet Assembly (continued)

ITEM	PART NO.	DESCRIPTION	QTY
23	4202347	Air Baffle (3038 Series)	1
24	1211213.001	Can Chute Assembly	1
	1215937	Can Chute Assembly (3173)	1
25	7200468.001	10-12x1 Phillips TH Type A	10
26	7100042.000	Drain Tube (3043, 3043-A, 3038, 3038-A, 3038-51, 3173)	1
27	4202284	0.5" Stud Diameter Push Nut (3043, 3043-A, 3038 Series, 3173)	45
	7332476.000	0.5" Stud Diameter Push Nut (3043-U, 3104 Series, 3173)	45
28	1210789.001951	Bracket Lock Weldment Assy (All Except 3038-L, 3038-LE, 3173)	1
29	4050760	½-13 Square Nut W/Ret (All Except 3038-L, 3038-LE)	1
30	4201239	¼-20x¾ HWH Taptite (All Except 3038-L, 3038-LE)	14
31	4202345.001	Can Rack Support, Right (3038 Series, 3173)	1
32	4202345	Can Rack Support, Left (3038 Series, 3173)	1
33	8370959.3	¾" Locking Clamp (3043, 3043-A, 3173)	2
	7090002.713	¾" Locking Clamp (3038 Series)	1
34	4033712	Cable Tie 7 3/8"	4
35	4025610	Door Glide (3043-U, 3104 Series, 3038-51, 3038, 3038-A, 3173)	1
36	1211196	Motor Cover Label (3038 Series, 3173)	1
37	7250135.002	Hole Plug 1" – BPF (3038 & 3038-A Require QTY 2) (not shown)	1
38	7960247.000	"A" Frame Gasket (FT) (3038 Series, 3173) (not shown)	14
39	4201366	Warning Tag (not shown)	1
40	4203634	Split Nut Assembly (3038-L, 3038-LE) (not shown)	1
41	8800638	10-16x3/8 Phillips PH Type B (3038-L, 3038-LE) (not shown)	2
42	4203255	Nut Mount Bracket (3038-L, 3038-LE, 3173) (not shown)	1
43	4209748	Lock Nut Bracket (3038-L, 3038-LE) (not shown)	1
	4209748.001950	Lock Nut Bracket (3173) (not shown)	1
44	4202034	Drain Pan Sponge (All Except 3038 Series) (not shown)	1

CAN RACK ASSEMBLY

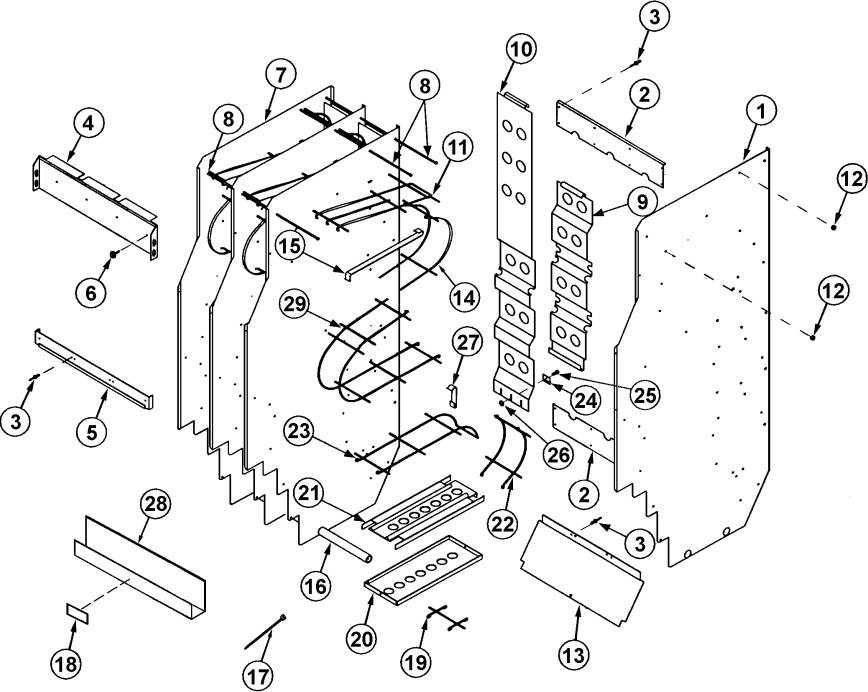


A10511

Can Rack Assembly

ITEM	PART NO.	DESCRIPTION	QTY
	1211194	Can Rack Assembly - 12 oz SMIII	1
	1212162.001	Can Rack Assembly - 12 oz SMIV	1
	1214347	Can Rack Assembly - 13 oz SMIII	1
	1214347.001	Can Rack Assembly - 13 oz SMIV	1
	1214196.003	Can Rack Assembly - 300 ml SMIII	1
	1214196.001	Can Rack Assembly - 300 ml SMIV	1
	1214196.002	Can Rack Assembly - 330 ml SMIII	1
	1214196	Can Rack Assembly - 330 ml SMIV	1
1	4202357	Partition Panel, Right	3
2	4201562.001	Top and Bottom Tie - 12 oz	2
	4202931	Top and Bottom Tie - 13 oz	2
	4208609.001	Top and Bottom Tie - 300 ml	2
	4207728.001	Top and Bottom Tie - 330 ml	2
3	4050665	1/8 x 1/4 Pop Rivet - 12 oz, 300 ml, 330 ml	20
	4050663	1/8 x 1/4 Pop Rivet - 13 oz	20
4	1210891	Tie Label Assembly - 12 oz	1
	1211376	Tie Label Assembly - 13 oz	1
	1214200.001	Tie Label Assembly - 300 ml	1
	1214200	Tie Label Assembly - 330 ml	1
5	4201630	Lower Front Tie - 12 oz	1
	4202928	Lower Front Tie - 13 oz	1
	4208614	Lower Front Tie - 300 ml	1
	7207729	Lower Front Tie - 330 ml	1
6	8810014	12 - 14 x 1/2 Phillips Truss Head Screw Type-AB	4
7	4202357.001	Partition Panel, Left	1
8	7332474.003	Tie Rod 0.156 Diameter - 12 oz	45
	7332474.004	Tie Rod 0.156 Diameter - 13 oz	45
	7332474.011	Tie Rod 14 3/4 Diameter - 300 ml, 330 ml	45
9	4201548	Can Deflection Plate, Short 12 oz, 13 oz	3
	4201548.001	Can Deflection Plate, Short 300 ml	3
	4201548.002	Can Deflection Plate, Short 330 ml	3
10	4201549	Can Deflection Plate, Long 12 oz, 13 oz	3
	4201549.001	Can Deflection Plate, Long 300 ml	3
	4201549.002	Can Deflection Plate, Long 330 ml	3
11	7331977.XXX	Shelf - Upper	6
12	7332476.000	0.156 Stud Diameter Pushnut	45
13	4202346	Back Air Baffle - 12 oz	1
	4208300	Back Air Baffle - 13 oz	1
	4208653	Back Air Baffle - 300 ml	1
	4208647	Back Air Baffle - 330 ml	1
14	7331974.002	Center Loop Can Rack - 12 oz	3
	7331974.004	Center Loop Can Rack - 13 oz	3
	7331974.008	Center Loop Can Rack - 300 ml	3
	7331974.010	Center Loop Can Rack - 330 ml	3
15	7331999.000	Retainer Strip	18

Can Rack Assembly (continued)

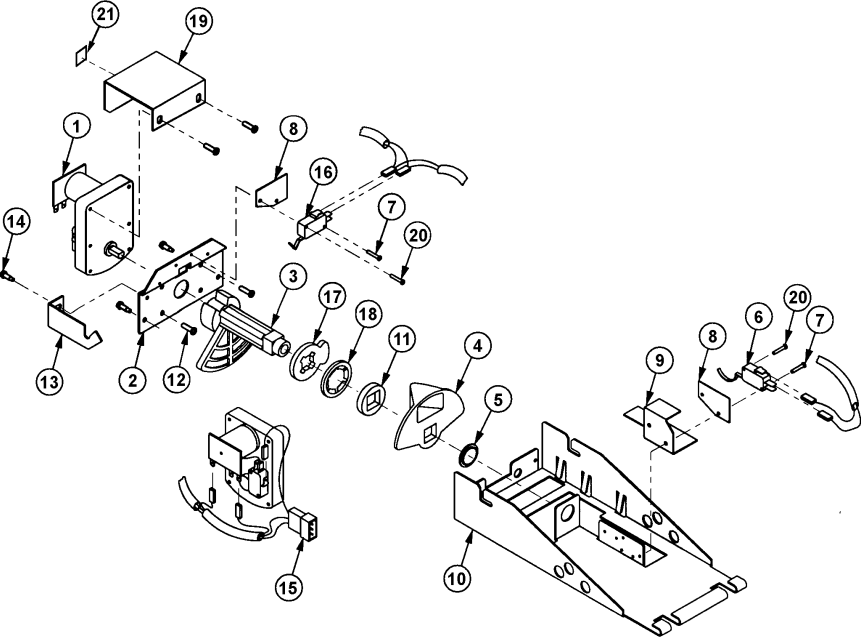


A10511

Can Rack Assembly (continued)

ITEM	PART NO.	DESCRIPTION	QTY
16	8620197.002	Tube - Rack Support	2
17	4033712	Cable Tie 7 3/8" - 12 oz, 300 ml, 330 ml	4
18	4206235	Cooling Label	1
19	4201535.000	Bottom Wire Shelf - 12 oz	3
	4201535.001	Bottom Wire Shelf - 13 oz	3
	4201535.003	Bottom Wire Shelf - 300 ml	3
	4201535.004	Bottom Wire Shelf - 330 ml	3
20	4201558	Shelf Insert - 12 oz	3
	4202933	Shelf Insert - 13 oz	3
	4208587	Shelf Insert - 300 ml	3
	4207570	Shelf Insert - 330 ml	3
21	4201560	Bottom Shelf - 12 oz	3
	4202934	Bottom Shelf - 13 oz	3
	4208588	Bottom Shelf - 300 ml	3
	4207549	Bottom Shelf - 330 ml	3
22	4201534.000	Bottom Loop Can Rack - 12 oz	3
	4201534.001	Bottom Loop Can Rack - 13 oz	3
	4201534.003	Bottom Loop Can Rack - 300 ml	3
	4201534.004	Bottom Loop Can Rack - 330 ml	3
23	7331975.000	Top Loop Can Rack - 12 oz	6
	7331975.002	Top Loop Can Rack - 13 oz	6
	7331975.004	Top Loop Can Rack - 300 ml	6
	7331975.005	Top Loop Can Rack - 330 ml	6
24	4201552	Deflector Plate Retainer	3
25	4050240	8 - 32 x 3/8 Phillips Pan Head Machine Screw	3
26	8800956	8 - 32 Hex Nut with External Lock Washer	3
27	4201551	Hanger Strap	3
28	4205003	Pre Cool Storage Shelf	2
29	7331974.000	Center Loop Can Rack - 12 oz	12
	7331974.003	Center Loop Can Rack - 13 oz	12
	7331974.007	Center Loop Can Rack - 300 ml	12
	7331974.009	Center Loop Can Rack - 330 ml	12
30		Lower Ejector Mechanism Assembly (see page 14) (not shown)	1
31		Upper Ejector Mechanism Assembly (see page 16) (not shown)	1

LOWER EJECTOR MECHANISM ASSEMBLY

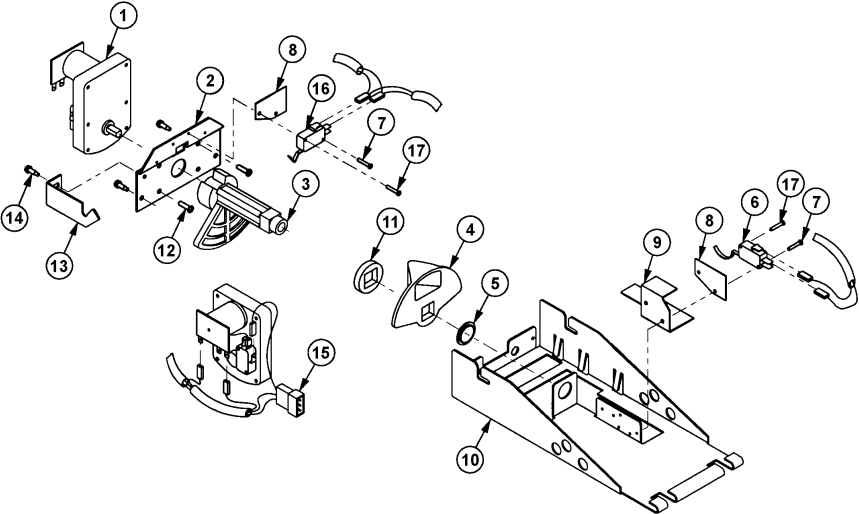


A10513

Lower Ejector Mechanism Assembly

ITEM	PART NO.	DESCRIPTION	QTY
	1210901	Lower Ejector Mechanism Assembly 12 oz - SMIII	3
	1210901.002	Lower Ejector Mechanism Assembly 12 oz - SMIV	3
	1211378	Lower Ejector Mechanism Assembly 13 oz - SMIII	3
	1212333.013	Lower Ejector Mechanism Assembly 13 oz - SMIV	3
	1214197.003	Lower Ejector Mechanism Assembly 300 ml - SMIII	3
	1214197.001	Lower Ejector Mechanism Assembly 300 ml - SMIV	3
	1214197	Lower Ejector Mechanism Assembly 330 ml - SMIII	3
	1214197.002	Lower Ejector Mechanism Assembly 330 ml - SMIV	3
1	4201533	Ejector Mechanism Motor - SMIII	1
	4202826	Ejector Mechanism Motor - SMIV	1
2	4201328	Motor Mount Plate 12 oz, 13 oz	1
	4208581	Motor Mount Plate 300 ml	1
	4207571	Motor Mount Plate 330 ml	1
3	4201162	Cam - Large Ejector Mechanism	1
	4201162.001	Cam – 330 ml Ejector Mechanism	1
4	4201161	Cam - Small Ejector Mechanism	1
5	8620714	Snap-In Bushing	1
6	8620718	Sold-Out Switch	1
7	8801332	4 - 40 x 3/4 Phillips Pan Head Taptite Screw	2
8	4003735	Switch Insulator	2
9	4201561	Switch Cover	1
10	4201327	Mechanism Plate 12 oz, 13oz	1
	1211377	Mechanism Plate 13oz - SMIII Only	1
	4208567	Mechanism Plate 300 ml	1
	4207550	Mechanism Plate 330 ml	1
11	4201160	Spacer	1
12	8800636	8 - 18 x 1/2 Phillips pan Head Screw Type-B	2
13	4201326	Retaining Bracket 12 oz, 13 oz	3
	4207569	Retaining Bracket 300 ml, 330 ml	3
14	4050202	8 - 18 x 1/2 Phillips Hex Washer Head Screw Tek	3
15	4201636	Ejector Mechanism Harness - SMIII	1
	4205079	Ejector Mechanism Harness - SMIV	1
16	8620718.001	Sold-Out Switch	1
17	4201542	Auxiliary Ejector	1
18	4201628	Cam Shaft Retainer	1
19	4202992	Motor Cover - Bottom	1
20	7200470.004	4 - 40 5/8 Phillips Pan Head Screw Type-T	2
21	4201660	Ejector Mechanism Label	1

UPPER EJECTOR MECHANISM ASSEMBLY

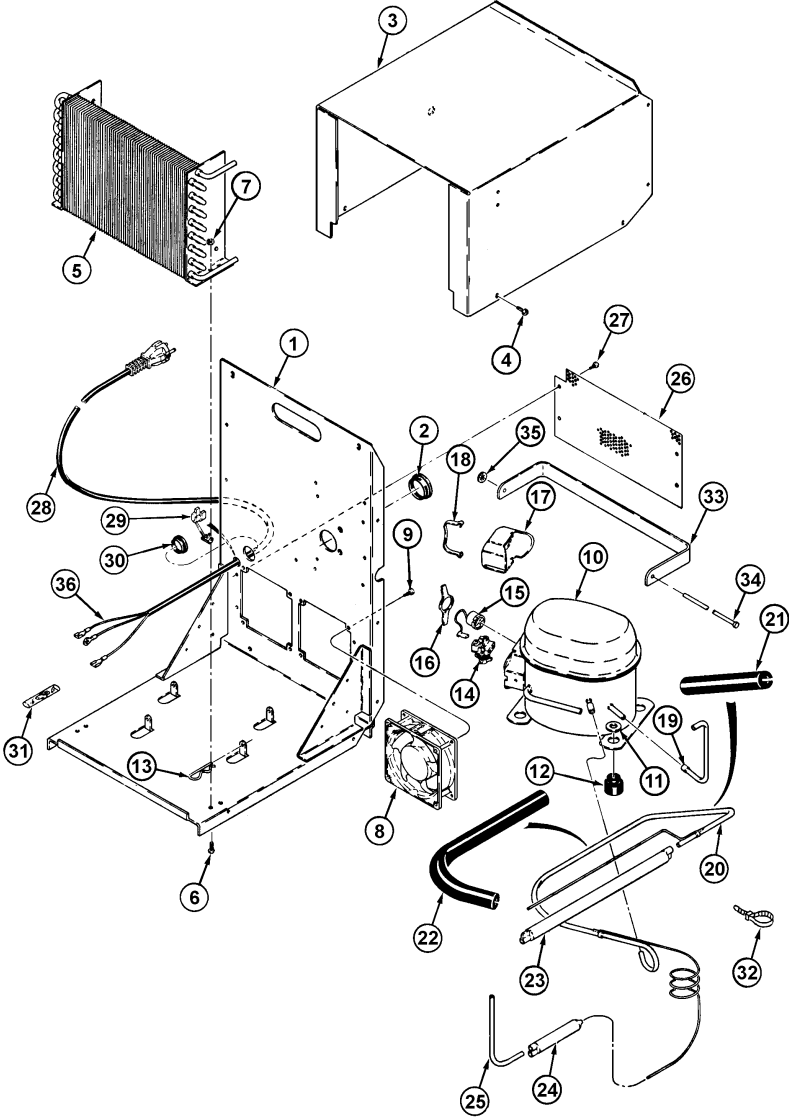


A10514

Upper Ejector Mechanism Assembly

ITEM	PART NO.	DESCRIPTION	QTY
	1210902	Lower Ejector Mechanism Assembly 12 oz - SMIII	3
	1210902.002	Lower Ejector Mechanism Assembly 12 oz - SMIV	3
	1211379	Lower Ejector Mechanism Assembly 13 oz - SMIII	3
	1212334.013	Lower Ejector Mechanism Assembly 13 oz - SMIV	3
	1214198.003	Lower Ejector Mechanism Assembly 300 ml - SMIII	3
	1214198.001	Lower Ejector Mechanism Assembly 300 ml - SMIV	3
	1214198.002	Lower Ejector Mechanism Assembly 330 ml - SMIII	3
	1214198	Lower Ejector Mechanism Assembly 330 ml - SMIV	3
1	4201533	Ejector Mechanism Motor - SMIII	1
	4202826	Ejector Mechanism Motor - SMIV	1
2	4201328	Motor Mount Plate 12 oz, 13 oz	1
	4208581	Motor Mount Plate 300 ml	1
	4207571	Motor Mount Plate 330 ml	1
3	4201162	Cam - Large Ejector Mechanism	1
	4201162.001	Cam - 330 ml Ejector Mechanism	1
4	4201161	Cam - Small Ejector Mechanism	1
5	8620714	Snap-In Bushing	1
6	8620718.001	Sold-Out Switch	1
7	8801332	4 - 40 x 3/4 Phillips Pan Head Taptite Screw	2
8	4003735	Switch Insulator	2
9	4201561	Switch Cover	1
10	4201327	Mechanism Plate 12 oz, 13oz	1
	1211377	Mechanism Plate 13oz - SMIII Only	1
	4208567	Mechanism Plate 300 ml	1
	4207550	Mechanism Plate 330 ml	1
11	4201160	Spacer	1
12	8800636	8 - 18 x 1/2 Phillips pan Head Screw Type-B	2
13	4201326	Retaining Bracket 12 oz, 13 oz	1
	4207569	Retaining Bracket 300 ml, 330 ml	1
14	4050202	8 - 18 x 1/2 Phillips Hex Washer Head Screw Tek	3
15	4201636	Ejector Mechanism Harness - SMIII	1
	4205079	Ejector Mechanism Harness - SMIV	1
16	8620718.001	Sold-Out Switch	1
17	7200470.004	4 - 40 5/8 Phillips Pan Head Screw Type-T	2

REFRIGERATION ASSEMBLY

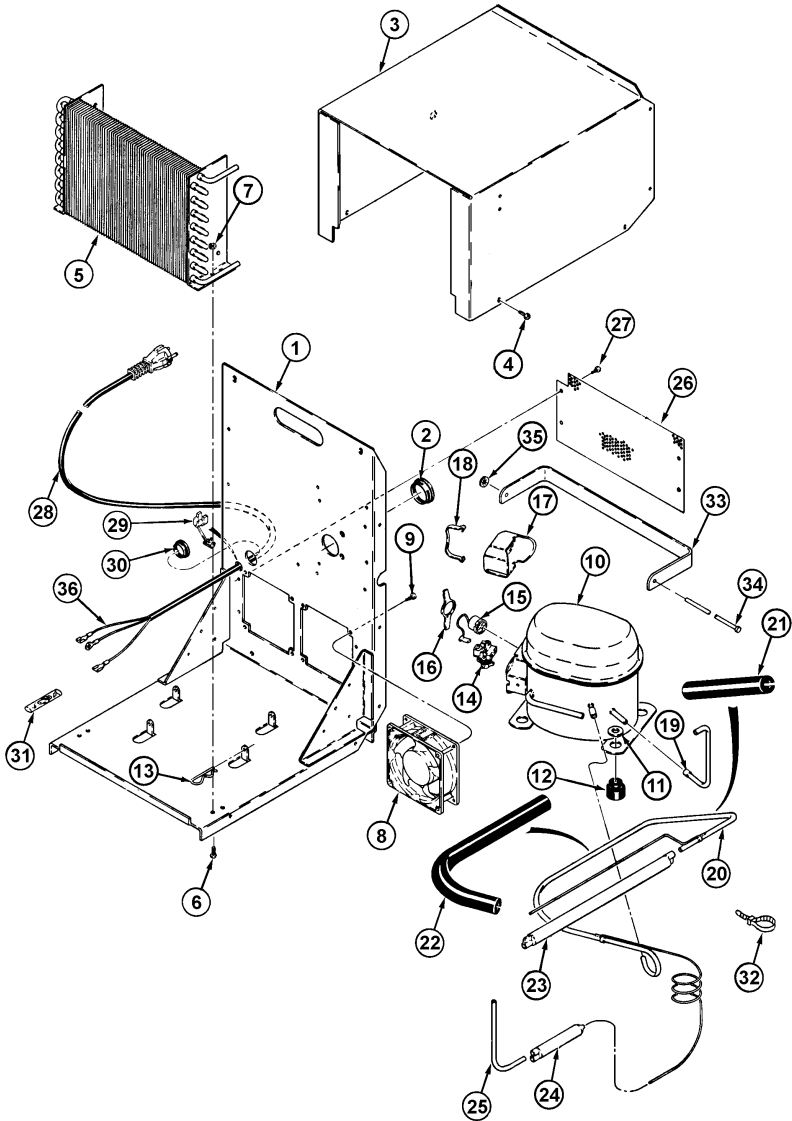


A10515

Refrigeration Assembly

ITEM	PART NO.	DESCRIPTION	QTY
	1212326.001	Refrigeration Assembly - 115 Volts	1
	1212326.002	Refrigeration Assembly - 230 Volts	1
	1212326.003	Refrigeration Assembly - 115 Volts	1
	1212326.004	Refrigeration Assembly - 230 Volts	1
	1212326.005	Refrigeration Assembly - 115 Volts	1
	1212326.006	Refrigeration Assembly - 230 Volts	1
	1212326.007	Refrigeration Assembly - USD - 230 Volts	1
	1212326.008	Refrigeration Assembly - GBI - 230 Volts	1
1	1212209	Refrigeration Base Weldment CHR - 115 Volt	1
	1212209.001	Refrigeration Base Weldment CHR - 115 Volt	1
	1212209.002	Refrigeration Base Weldment CHR - 230 Volt	1
	1212209.003	Refrigeration Base Weldment CHR - 230 Volt	1
2	7250135.008	Hole Plug - 5/8" (3038, 3038-A, 3038-51)	1
3	4202328	Compressor Cover	1
4	4050202	8 - 18 x 1/2 Phillips Hex Washer Head Tek Screw	A/R
5	4060477	Condenser Coil	1
6	4050240	8 - 32 x 3/8 Phillips Pan Head Machine Screw	4
7	4050513	8 - 32 Twin Whiz Lock Nut	4
8	4034344.000	Evaporator Fan - 115 Volt	2
8	4034344.001	Evaporator Fan - 230 Volt	2
9	8800829	10 - 24 x 3/8 Phillips TH W/ETW	8
10	4203789	Compressor 1/4 HP - 115 Volt	1
	4205469	Compressor 1/4 HP - 230 Volt	1
11	4050608	1/2 Flat Washer	4
12	8323090.1	Grommet - Compressor	4
13	4050773.001	Hitch Pin	4
14	8333894.8	Relay - Starting - 115 Volt	1
	8333894.10	Relay - Starting - 230 Volt	1
15	8045052.12	Overload Protector - 115 Volt	1
	8045052.16	Overload Protector - 230 Volt	1
16	8344305	Spring - Overload	1
17	8344308	Cover - Terminal	1
18	8344306	Bale Strap	1
19	4060716	Discharge Line	1
20	1211287.002	Suction Line Assembly	1
	1211287.003	Suction Line Assembly	1
21	4206366.001	Insulation Tubing - 13"	1
22	4206366.006	Insulation Tubing - 17"	1
23	4060480.001	Accumulator - 13"	1
24	4205468	Drier - Bonded Core	1
25	4202633	Service Line	2
26	4207787.001309	Fan Guard - Black	1
27	4050240	8 - 32 x 3/8 Phillips Pan Head Machine Screw	1

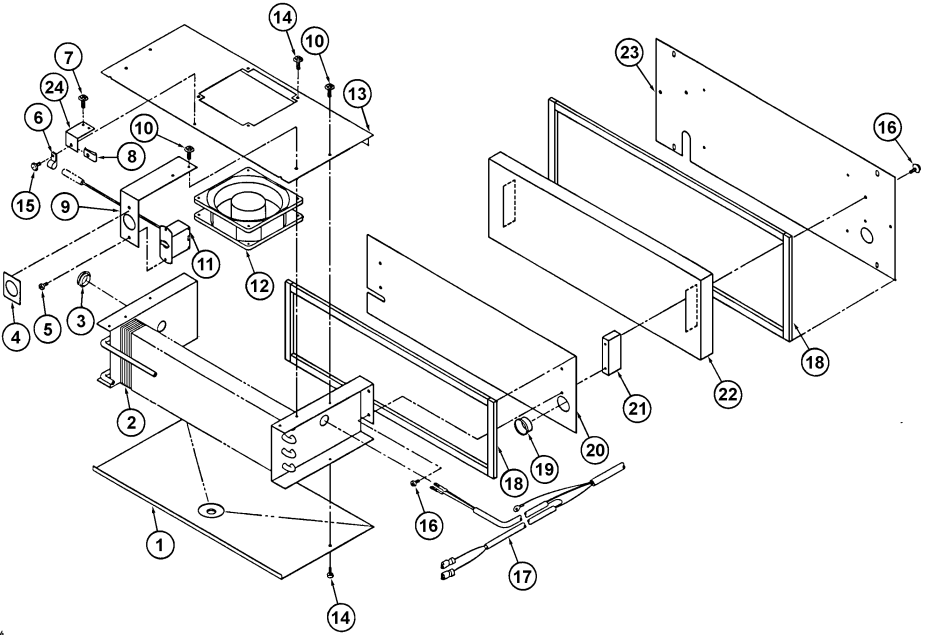
Refrigeration Assembly (continued)



Refrigeration Assembly (continued)

ITEM	PART NO.	DESCRIPTION	QTY
28	4033631.000	Power Cord without Grommet - Domestic	1
	4033631.001	Power Cord with Grommet - Domestic	1
	4202512.001	Power Cord - Europe	1
	4206770.002	Power Cord - U. K.	1
29	4033683	Cord Strain Relief Bushing	1
30	8359801.2	Snap Bushing - Split	1
31	4033527	Connector - Line Splice	2
32	4033712	Cable Tie 7 3/8"	3
33	4205306.001309	Stand Off Bracket - 115 Volt, Black	1
34	7332474.XXX	Tie Rod 0.156 Diameter - 115 Volt	1
35	7332476.000	Stud 0.156 Diameter Pushnut - 115 Volt	1
36	4203702	Power Harness - 115 Volt	1
	4203702.001	Power Harness - 230 Volt	1
37	4205307	Warning Label - CD-6 (not shown)	1
38	7332492.000	Decal Warning – Warranty (not shown)	1
39	4201375	Warning Tag – Grounding (not shown)	1
40	4202623	Suction Line – Accumulator (not shown)	1
41	4050585	#8 External Tooth Lockwasher (not shown)	1
42	4206269	Cable Clamp Washers (Except 3038 Series) (not shown)	2
43	4201920.001	Thermistor Assembly (3043-U, 3173 Only) (not shown)	1
44	4206643	Relay DPST 24 VAC/DC30A (3043-U, 3173 Only) (not shown)	1
45	4206766	Relay Bracket (3043-U, 3173 Only) (not shown)	1

EVAPORATOR ASSEMBLY

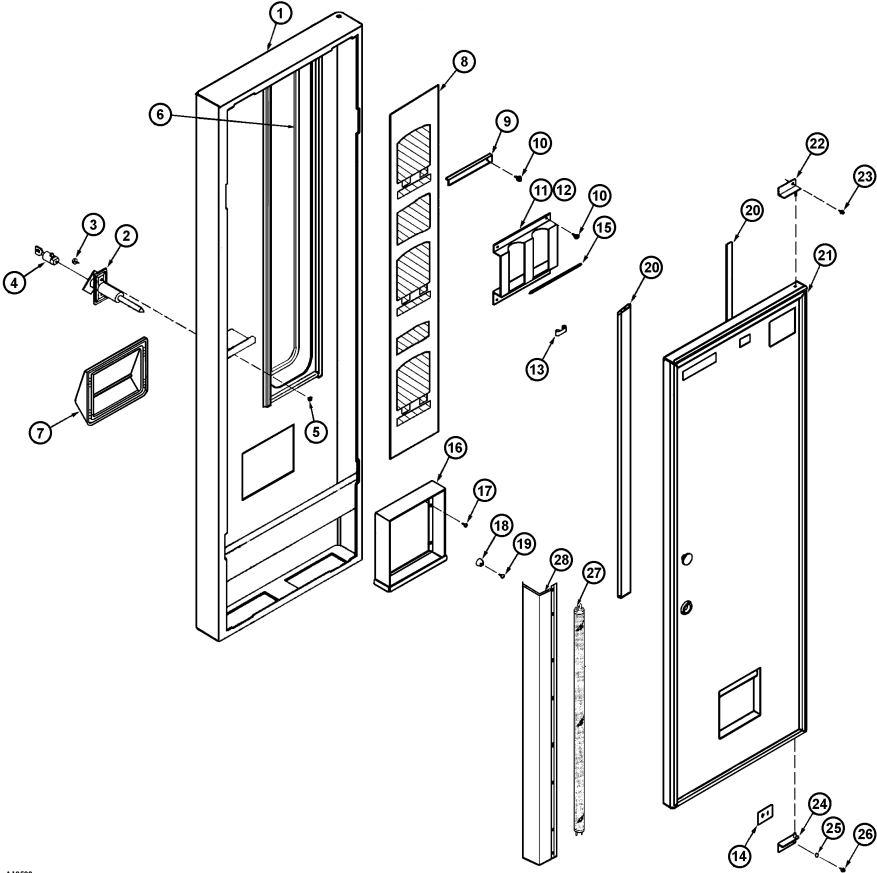


A10516

Evaporator Assembly

ITEM	PART NO.	DESCRIPTION	QTY
	1212643	Evaporator Assembly - 110 Volt	1
	1212643.001	Evaporator Assembly - 220 Volt	1
1	4206100	Condensate Pan	1
2	4206047	Evaporator Coil	1
3	7250135.003	Hole Plug 3/4" - BPF	1
4	4202547	Label - Thermostat	1
5	4050240	8 - 32 x 3/8 Phillips Pan Head Machine Screw	6
6	4060116	Plastic Wire Clamp 3/8 "	1
7	4050202	8 - 18 x 1/2 Phillips Hex Washer Head Tek Screw	2
8	8352837	10 - 32 U Type Spring Nut	1
9	4202330	Thermostat Mount	1
10	8800852	8 - 32 x 3/8 Phillips Pan Head Screw Type-T	4
11	4202526	Thermostat	1
12	4034344.000	Evaporator Fan - 110 Volt	1
	4034344.001	Evaporator Fan - 230 Volt	1
13	4206101	Evaporator Cover	1
14	8800829	10 - 24 x 3/8 Phillips TH W/ETW Type 23	6
15	8800833	10 - 32 x 1/2 Phillips TH W/ETW Type D	1
16	8801322	8 - 18 x 1/2 Phillips Pan Head Screw Hilo	8
17	4202327	Harness - Refrigeration	1
18	4060006.500	1/4" x 1/2" Foam Tape (FT)	9
19	8359801.2	Snap Bushing - Split	1
20	4202312	Evaporator Mount	1
21	4202276	Evaporator Spacer	2
22	4202340	Evaporator Insulation	1
23	4202316	Thermostat Bulb Bracket	1
24	4202315	Evaporator Backup	1

DOOR ASSEMBLY - CD6 STANDARD

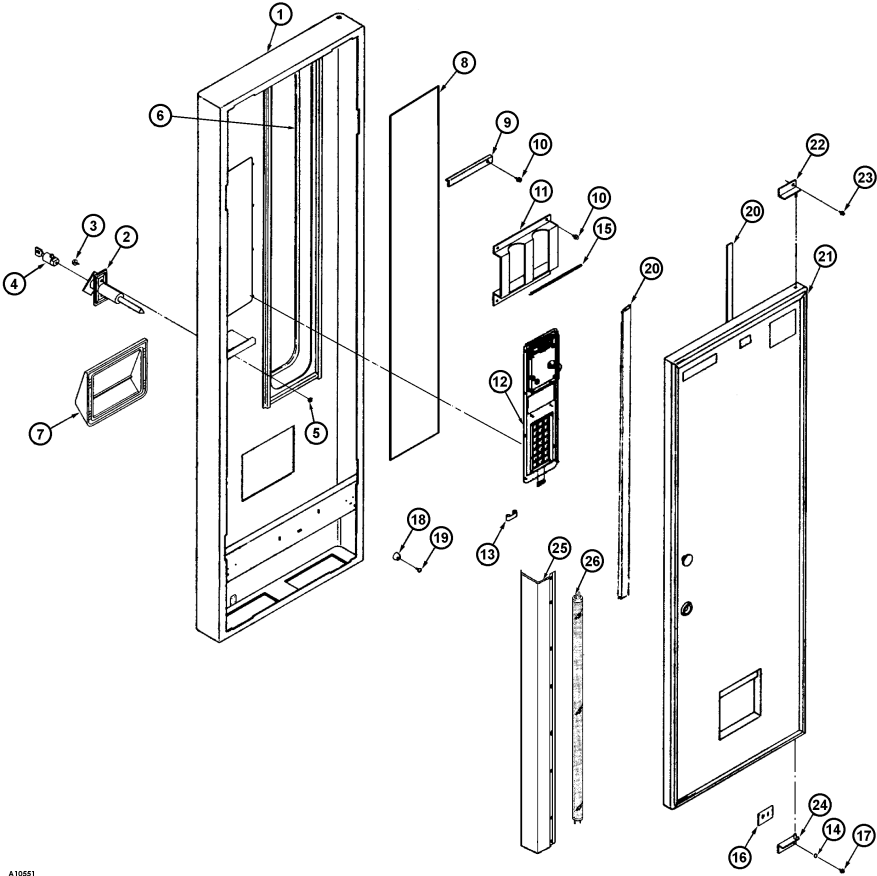


A10908

Door Assembly – CD6 Standard

ITEM	PART NO.	DESCRIPTION	QTY
	1212018	Door Assembly - 3038, 3038-A	1
	1212018.001	Door Assembly - 3038-51	1
	1212018.016	Door Assembly - 3043	1
	1212018.017	Door Assembly - 3043-A	1
	1214383	Door Assembly - 3104-SMIII	1
	1214383.001	Door Assembly - 3104-GBI	1
1	1211425.XXX	Door Weldment	1
2	4060417.001	T-Handle with Lock Nut	1
3	8800833	10 - 32 1/2 Phillips TH W/ETW	2
4	4060330	Lock Cylinder with Two Keys	1
5	8800899	10 - 32 Hex Nut Style 1	2
6	4025735.900	Trim-Lok - Black	8 ft
7	4202207	Delivery Trim	1
8	4203569.XXX	Display Window	1
9	4203092.XXX	Window Retainer	2
10	4050420	8 - 18 x 1/4 Phillips Hex Washer Head Screw	20
11	7203739.XXX	Can Mount Scroll	3
12	4205313.XXX	Label - Selection (3043, 3043-A, 3104-GBI)	1
	4205382.XXX	Label - Selection (3038-51)	1
13	4203341.XXX	Price Scroll - 10 to 100 (Except 3104-SMIII)	6
14	4203079	Hinge Spacer	1
15	8379539.000	Spring - Extension	3
16	1211422.XXX	Delivery Weldment	1
17	4050180	8 - 18 x 1/2 Phillips Pan Head Screw Tek Plated	2
18	8620821	Rubber Stopper	1
19	8800636	8 - 18 x 1/2 Phillips Pan Head Screw Type-B	5
20	4205004.XXX	Display Window Side Retainer	2
21		Inner Door Assembly (see page 30)	1
22	1211397.002	Inner Hinge Weldment - Top	1
23	4050423	8 - 18 x 3/8 Phillips Pan Head Screw Type-B	2
24	1211397	Inner hinge Weldment - Bottom	1
25	4203029	Washer - Inner Door	1
26	4050202	8 - 18 x 1/2 Phillips Hex Washer Head Screw Tek	2
27	4203131	Lamp - F30T12	1
28		Light Assembly - 3043, 3043-A, 3043-U, 3173 (see page 34)	1
29	4202994	Bumpers (3043 Only) (not shown)	6

DOOR ASSEMBLY - 3043-U, 3173

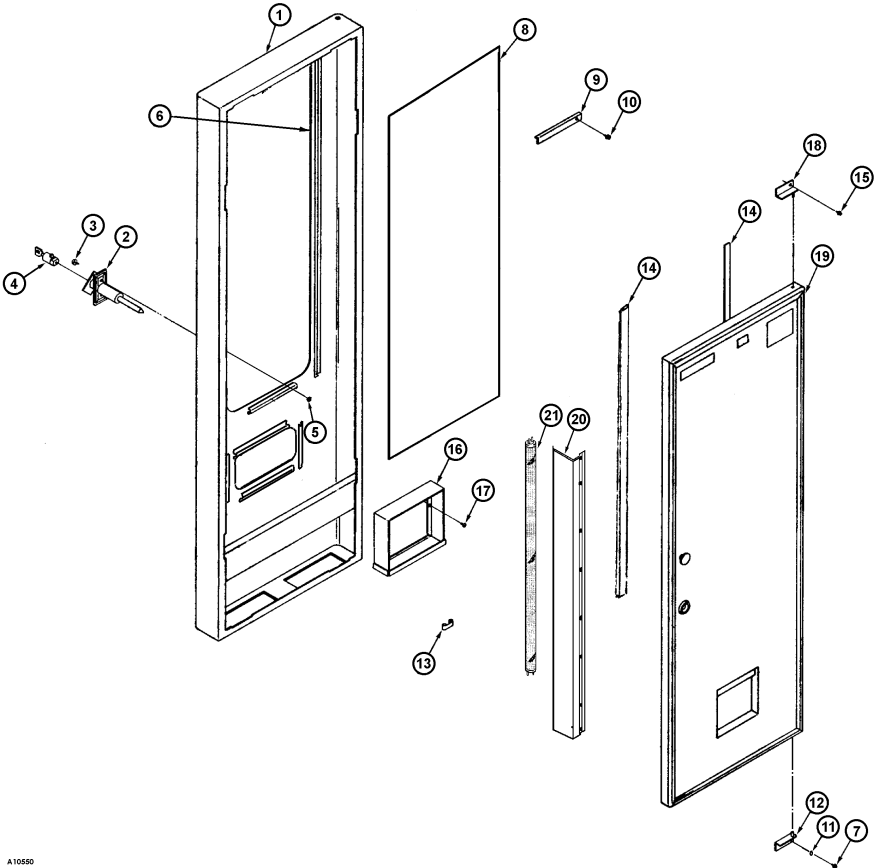


A10661

Door Assembly – 3043-U, 3173

ITEM	PART NO.	DESCRIPTION	QTY
	1214808	Door Assembly - 3043-U	1
	1214808.001	Door Assembly – 3173	1
1	1211425.018	Door Weldment (3043-U)	1
	1215200.000	Door Weldment (3173)	
2	4060417.001	T-Handle with Lock Nut	1
	4203486.007	1/4 Turn Handle Black	1
3	8800833	10 - 32 x 1/2 Phillips TH W/ETW	2
4	4060330	Lock Cylinder with Two Keys	1
5	8800899	10 - 32 Hex Nut Style 1	2
6	4025735.900	Trim-Lok – Black (FT)	11
7	4202207	Delivery Trim	1
8	4202569.007	Display Window (3043-U, 3173)	1
9	4203092.002	Window Retainer / UL	2
10	4050420	8-18 x 1/4 Phillips Hex Washer Head Screw	20
11	4203739.002	Can Mount Scroll	3
12		Selector Panel Assembly (see page 32)	1
13	4203341.001	Price Scroll - 10 to 30	6
	4203341.002	Price Scroll - 31 to 51	6
	4203341.003	Price Scroll - 52 to 75	6
	4203341.004	Price Scroll - 76 to 100	6
14	4203029	Washer - Inner Door	1
15	8379539.000	Spring - Extension	3
16	4203079	Hinge Spacer	1
17	4050202	8 - 18 x 1/2 Phillips Hex Washer Head Screw Tek	2
18	8620821	Rubber Stopper	1
19	8800636	8 - 18 x 1/2 Phillips Pan Head Screw Type-B	5
20	4205004.002	Display Window Side Retainer	2
21		Inner Door Assembly (see page 30)	1
22	1211397.003950	Inner Door Weldment - Top	1
23	4050423	8 - 18 x 3/8 Phillips Pan Head Screw Type-B	6
24	1211397.001950	Inner Hinge Weldment – Bottom	1
25		Light Assembly - 3043, 3043-A, 3043-U, 3173 (see page 34)	1
26	4203131	Lamp - F30T12	1
27	4208369	Power Harness - 3043-U, 3173 (not shown)	1

DOOR ASSEMBLY - 3038-L, 3038-LE

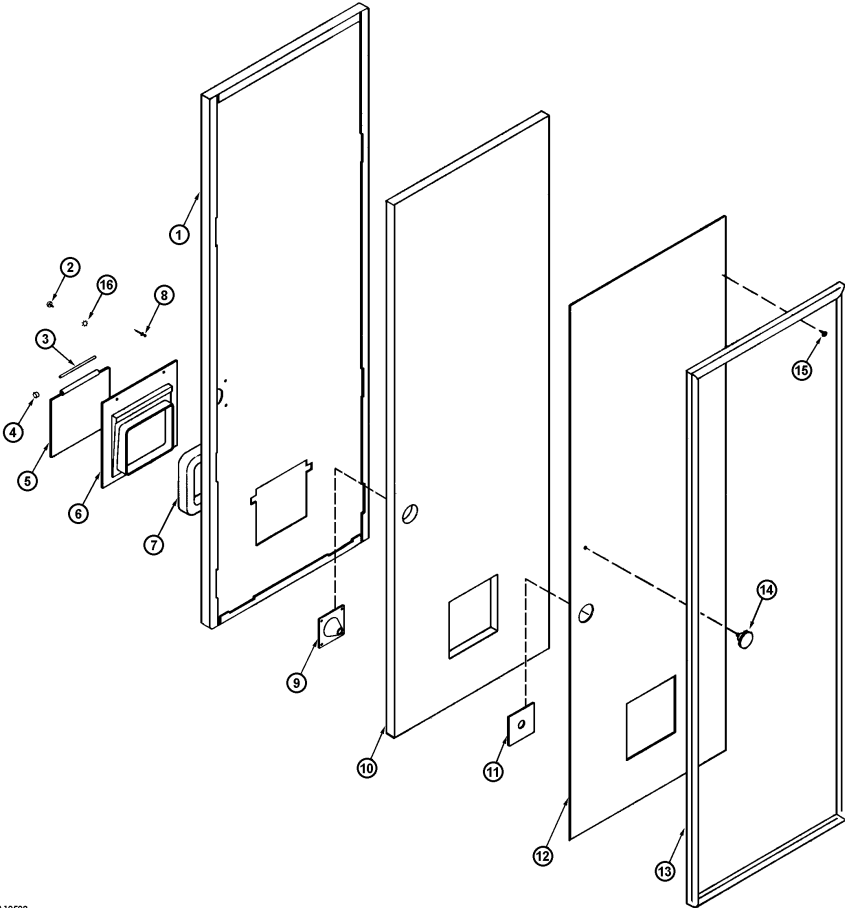


A10550

Door Assembly – 3038-L, 3038-LE

ITEM	PART NO.	DESCRIPTION	QTY
	1214813	Door Assembly - 3038-L, 3038-LE	1
1	1214759.002	Door Weldment	1
2	4060417.001	T-Handle with Lock Nut	1
3	8800833	10 - 32 x 1/2 Phillips TH W/ETW	2
4	4060330	Lock Cylinder with Two Keys	1
5	8800899	10 - 32 Hex Nut Style 1	2
6	4025735.900	Trim-Lok – Black (FT)	8
7	4050202	8 - 18 x 1/2 Hex Washer Head Tek Screw	2
8	4209219	Display Window	1
9	4209220	Window Retainer	2
10	4050420	8 - 18 x 1/4 Hex Washer Head Screw	26
11	4203029	Washer - Inner Door	1
12	1211397	Inner Hinge Weldment - Bottom	1
13	4203341	Price Scroll - 10 to 30	6
14	4209494	Display Window Side Retainer	2
15	4050420	8 - 18 x 1/4 Hex Washer Head Screw	2
16	1212114	Delivery Weldment	1
17	4050180	8 - 18 x 1/2 Pan Head Tek Screw - Plated	2
18	1211397.002	Inner Hinge Weldment - Top	1
19		Inner Door Assembly (see page 30)	1
20		Light Assembly - 3038-L, 3038-LE (see page 36)	1
21	4203131	Lamp - F30T12	1

INNER DOOR ASSEMBLY

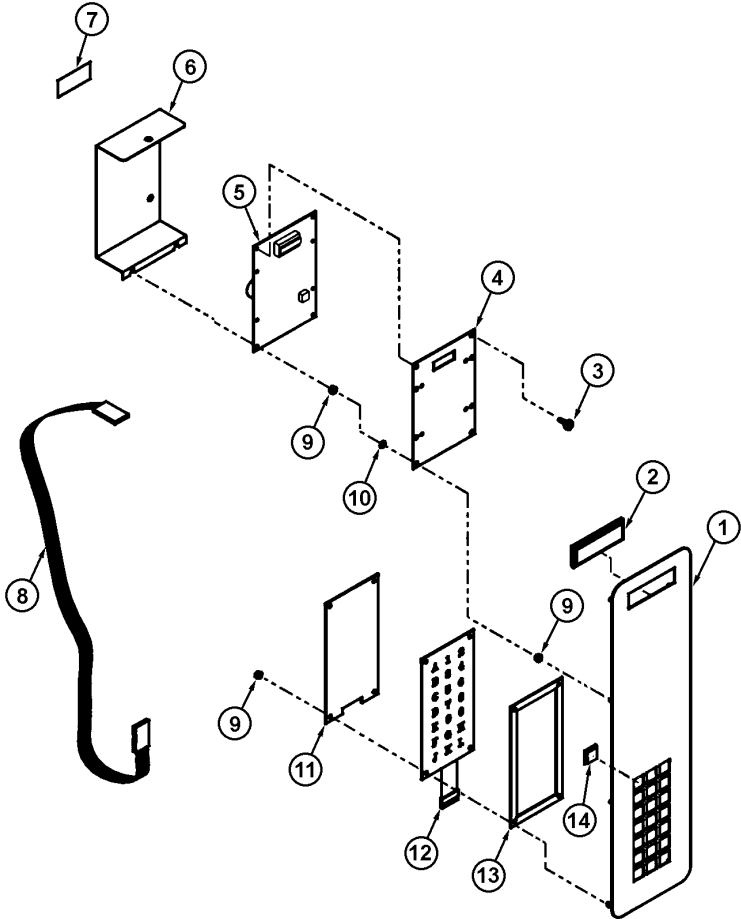


A10509

Inner Door Assembly

ITEM	PART NO.	DESCRIPTION	QTY
	1212020	Inner Door Assembly (All models except 3173)	1
	1215938	Inner Door Assembly (3173)	1
1	1211423	Inner Door Weldment	1
	1215203	Inner Door Weldment (3173)	
2	4050240	8 - 32 x 3/8 Phillips Pan Head Machine Screw	1
3	7200650.001	Hinge Pin	1
4	7091078.000	Tubular Speed Nut	1
5	7334428.001	Vend Port Door	1
6	4202758	Delivery Chute	1
7	4202255	Gasket 1/4 x 3/4 with Adhesive (FT)	2
8	4050667	1/8 x 1/4 Aluminum Pop Rivet	4
9	4202760	Lock Funnel - Inner Door	1
10	4203080	Inner Door Insulation	1
	4210575	Inner Door Insulation (3173)	1
11	4205517	Insulation Shield	1
12	4202795	Inner Door Back	1
	4210572	Inner Door Back (3173)	1
13	4201203.001	Door Gasket	1
14	4203028	Knob	1
15	4050202	8 - 18 x 1/2 Phillips Hex Washer Head Tek Screw	34
16	4050585	#8 External Tooth Lockwasher	1

SELECTOR PANEL ASSEMBLY

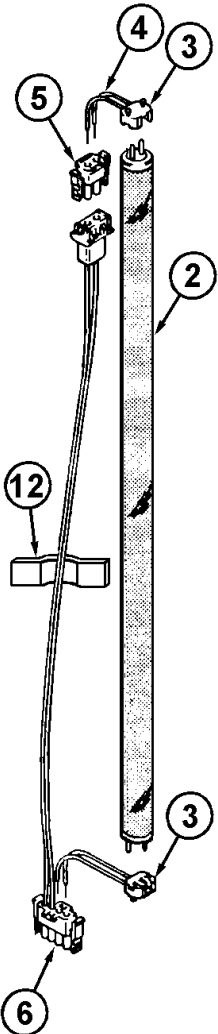


A10569

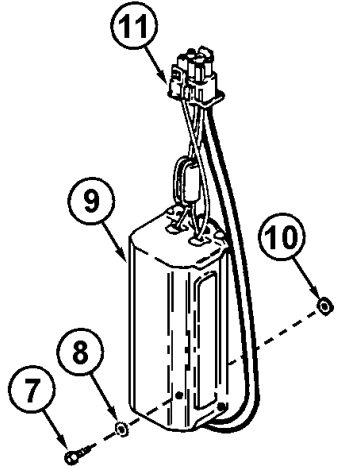
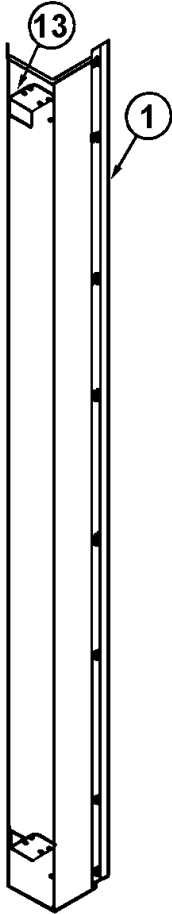
Selector Panel Assembly

ITEM	PART NO.	DESCRIPTION	QTY
	1214742	Selector Panel Assembly (All models except 3173)	1
1	1214573	Selector Weldment	1
	1215231	Selector Panel Stake Assembly (3173)	1
2	4200659.001	Readout Window	1
3	4206879	Board Standoff - 3/8"	4
4	4208894	Display Mount	1
	4210629	Board Mount (3173)	
5	4208898	Control Board	1
6	4208896	Board Cover	1
	4210630	Board Cover (3173)	1
7	4202995	Service Manual Label	1
	4210631	Service Mode Label (3173)	1
8	4207115	Keypad Harness	1
9	8800956	8 - 32 Hex Nut with External Lock Washer	9
10	8801013	#19 Flat Washer	2
11	4208735.002	Keypad Mount GVD	1
	4211679	Keypad Back Plate (3173)	1
12	4203409.001	Keypad	1
	4211678.001	Keypad 4x5 (3173)	1
13	4210385	Keypad Spacer	1
14	4025741	Push Button	21
	4210978	Ellipse Button (3173)	20

LIGHT ASSEMBLY - 3043, 3043-A, 3043-U, 3173



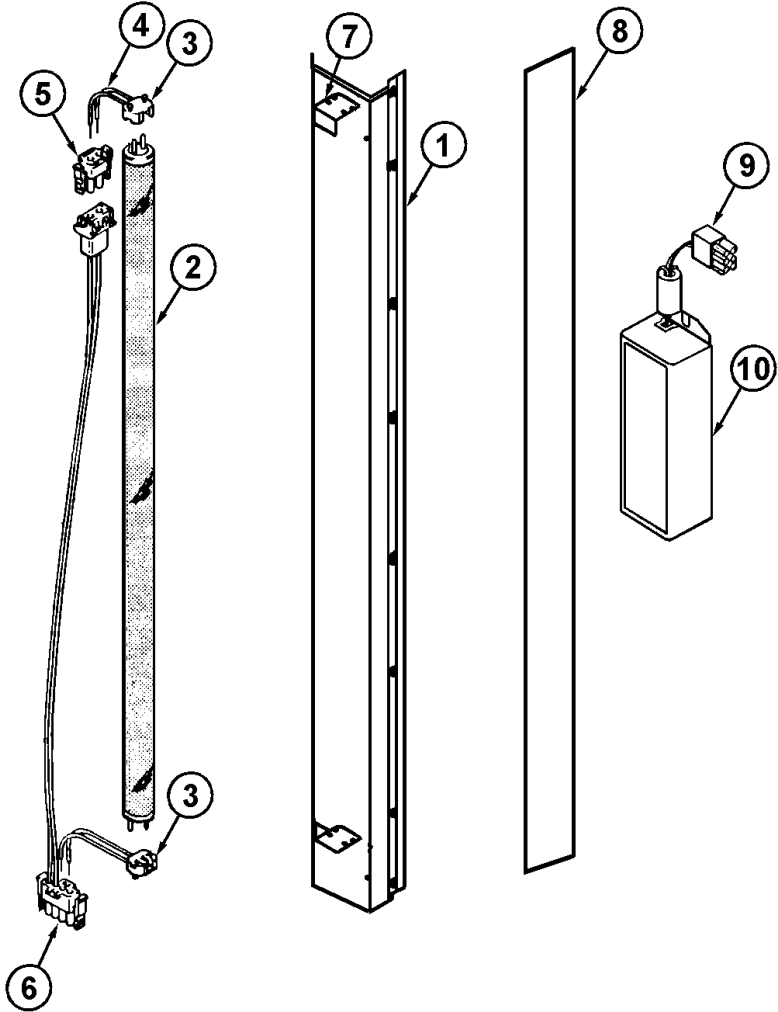
A10517



Light Assembly – 3043, 3043-A, 3043-U, 3173

ITEM	PART NO.	DESCRIPTION	QTY
	1212185	Light Assembly - 3043, 3043-A, 3043-U, 3173	1
1	1214372	Light Weldment - White	1
2	4203131	Lamp - F30T12	1
3	4207171	Lamp Socket	2
4	4207172	Harness Lamp Socket	2
5	4203682	Terminal Housing	1
6	4203465	Lamp Harness	1
7	4050420	8-32x3/8 Phillips Pan Head Machine Screw	2
8	4050585	#8 External Tooth Lockwasher	2
9	4203625.001	Ballast Assembly - 220 Volt	1
10	4050513	8-32 Twin Whiz Lock Nut	2
11	4203886	Ballast Harness - 220 Volt	1
12	4060130	Press Clip - 1/4"	4
13	4203462	Lamp Holder Mount	2
14	4202418	Earthing Label (not shown)	1
15	4206248	Decal Lamp 30 Watt (not shown)	1

LIGHT ASSEMBLY - 3038-L, 3038-LE



A10568

Light Assembly – 3038-L, 3038-LE

ITEM	PART NO.	DESCRIPTION	QTY
	1214815	Light Assembly - 3038-L, 3038-LE	1
1	1214810.002	Light Weldment - White	1
2	4203131	Lamp - F30T12	1
3	4207171	Lamp Socket	2
4	4207172	Harness Lamp Socket	2
5	4203682	Terminal Housing	1
6	4203465	Lamp Harness	1
7	4203462	Lamp Holder Mount	2
8	4209223	Light Diffuser	1
9	4209654	Harness	1
10	4203625	Ballast Assembly	1

The contents of this publication are presented for informational purposes only, and while every effort has been made to ensure their accuracy, they are not to be construed as warranties or guarantees, express or implied, regarding the products or services described herein or their use or applicability. We reserve the right to modify or improve the designs or specifications of such products at any time without notice.



VendNet™
165 North 10th Street
Waukee, Iowa 50263
United States of America



	USA & Canada	International
Service	(800) 833-4411	(515) 274-3641
Parts	(888) 259-9965	
Email	vendnet@vendnetusa.com	
Web Site	www.vendnetusa.com	