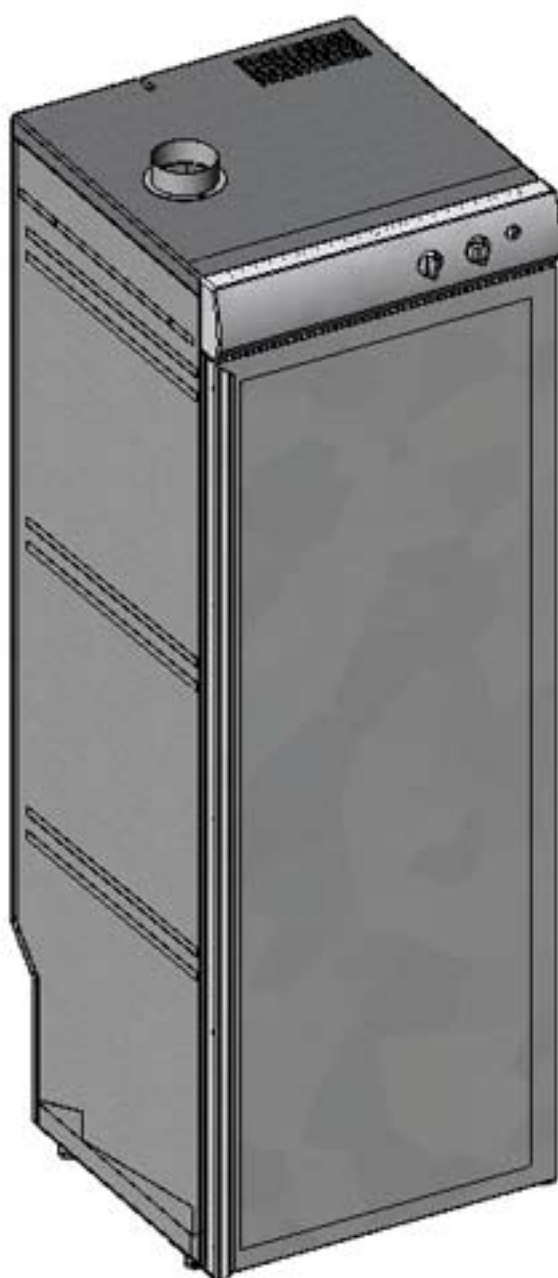


# SERVICE MANUAL

# DRYING CABINET

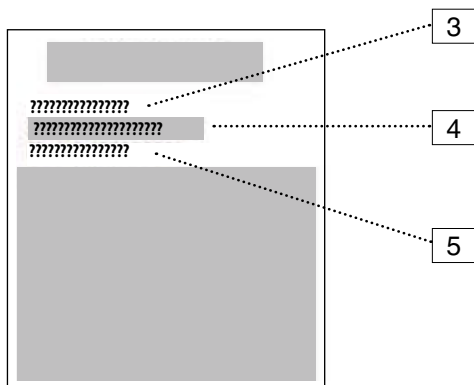
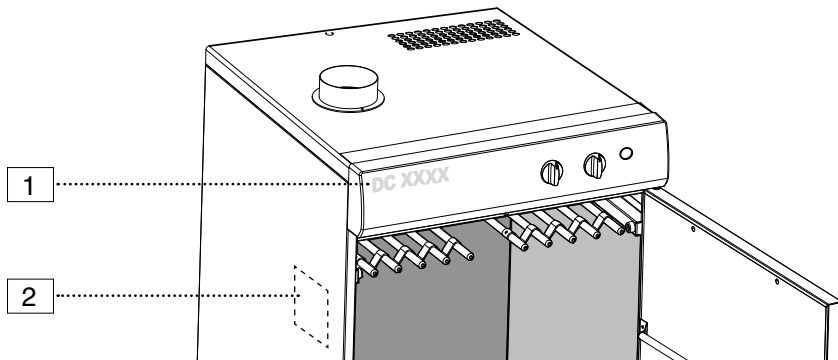


# Contents

Servicing.....	3
Presentation of the different models.....	4
Setting the temperature selector knob.....	5
Control panel.....	6
Placing the door the other way round.....	7
Changing the casing unit.....	8
Changing the panel.....	9
Changing the selector knob.....	10
Changing the fan/motor and the protection against overheating..	11
Changing the element.....	12
Changing the thermostat.....	13
Changing the timer.....	14
Changing the start button (exterior).....	15
Changing the start button (interior).....	16
Changing the contactor.....	17
Changing the door contact breaker.....	18
Changing the hangers.....	19
Technical information 120V.....	20
Circuit diagram DC7171 with start button, 120V.....	21
Trouble shooting.....	22

# Servicing

**Before you contact customer service,** you should find out the designation of the model, its type and its serial number. The designation of the model is inscribed on the cabinet control panel. The type and the serial number are inscribed on the identification plate which is placed on the inside of the cabinet.

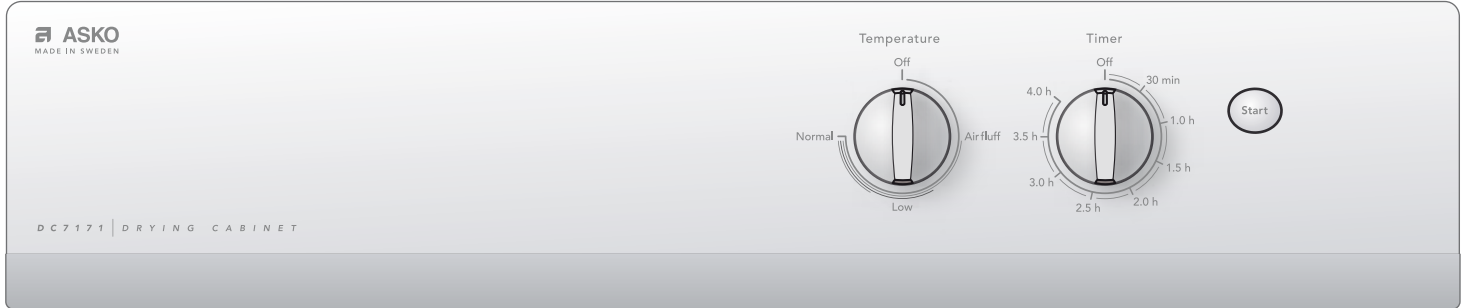


1. *Model*
2. *Identification plate (inside)*
3. *Article number*
4. *Serial number (12 figures)*
5. *Type*

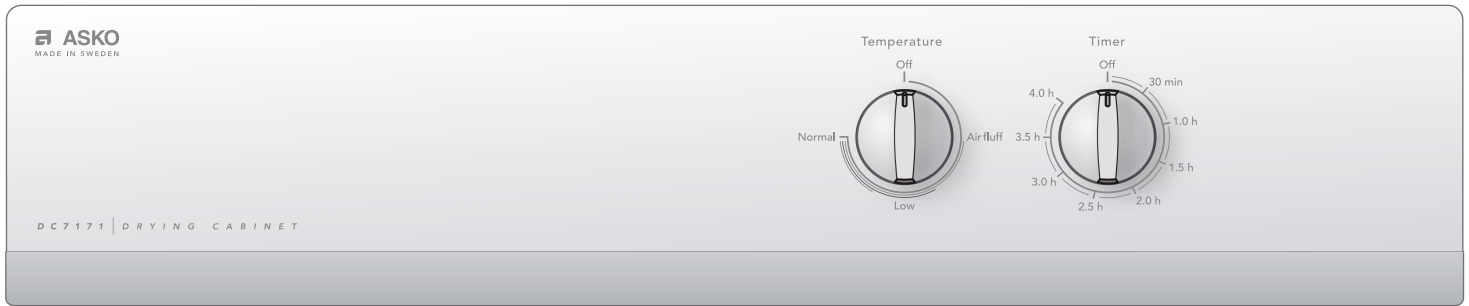
*Typskylt*

# Presentation of the different models

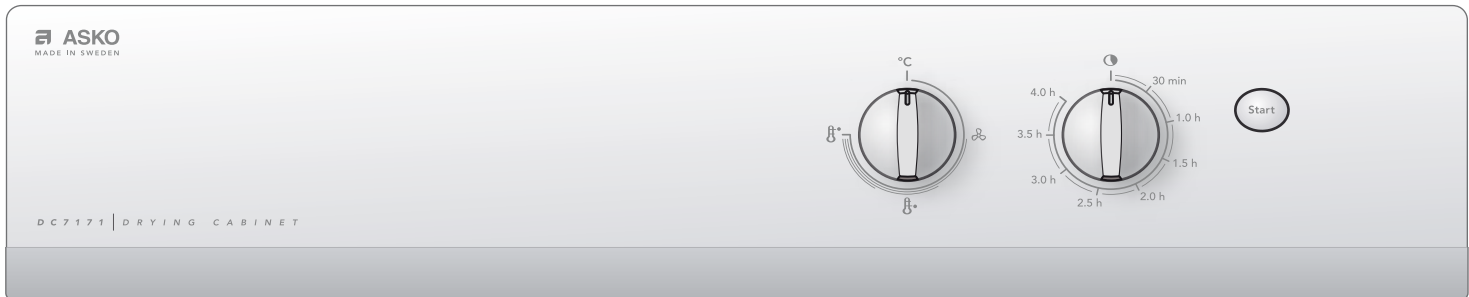
## ASKO DC7171 with start button, with text



## ASKO DC7171 without start button, with text



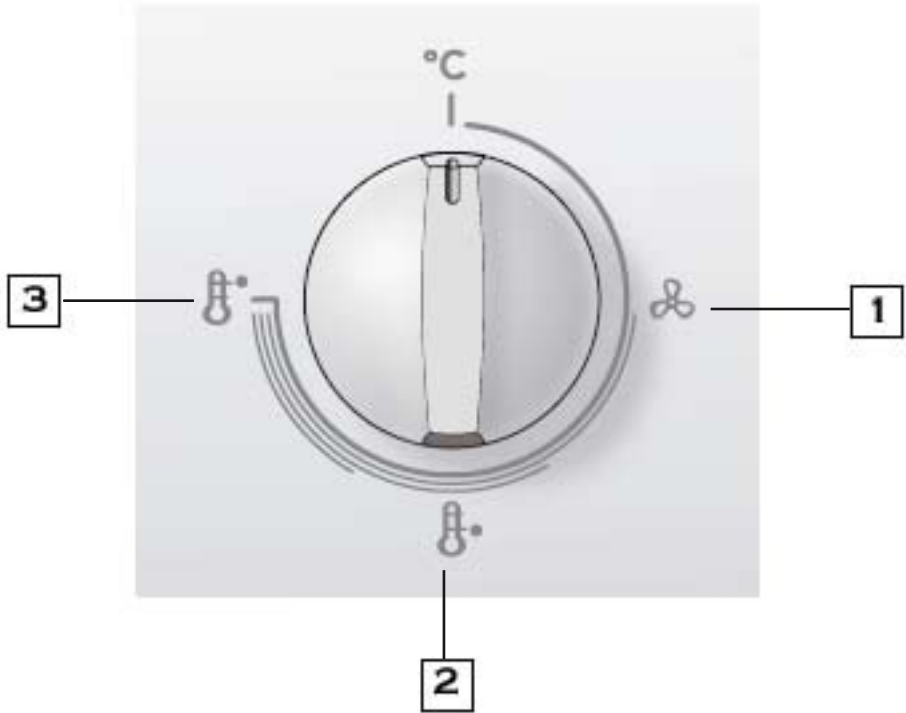
## ASKO DC7171 with start buttons, with symbols



## ASKO DC7171 without start button, with symbols



# Setting the temperature selector knob

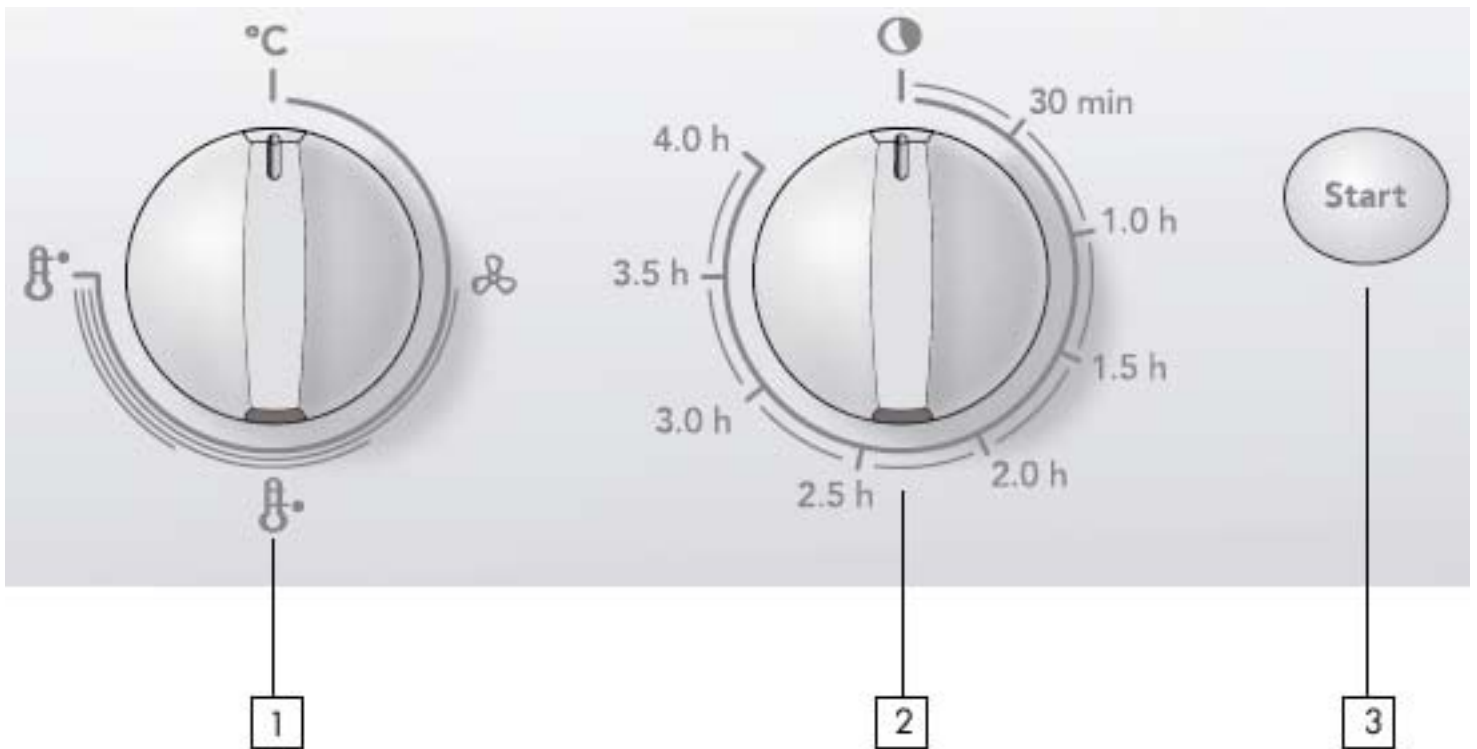


***Do not use heat when drying foam-rubber lined clothing or similar articles***

***The cycle control regulates the temperature on a stepless scale, from no heat to the normal position with full temperature.***

<b>Setting</b>	<b>Articles to be dried</b>	<b>Temperature</b>
<b>1 Air fluff</b>	Foam-rubber products, plastics, heat-sensitive items	Fan only
<b>2 Low</b>	Sports clothing, underwear, shirts, blouses, silk goods, machine-washable knit products	Low
<b>3 Normal</b>	Heavy work clothing, denim, cotton garments, cotton sweatshirts	Normal

# Control panel



1. Temperature setting
2. Timer
3. START-button (only certain markets)

# Placing the door the other way round

## Reverse door swing

You can change your door swing from a right-side opening to a left-side opening, if desired.

1. Place the drying cabinet on its back.
2. Remove the hinge pin at the lower hinge (1) and lift off the door.
3. Remove the plastic plug and press it in place on the lower hinge on the opposite site.
4. Remove the hinge pin from the upper hinge (2) and fit it to the opposite side.
5. Unscrew the glove hanger on the inside of the door and turn it completely around.

## Warning!

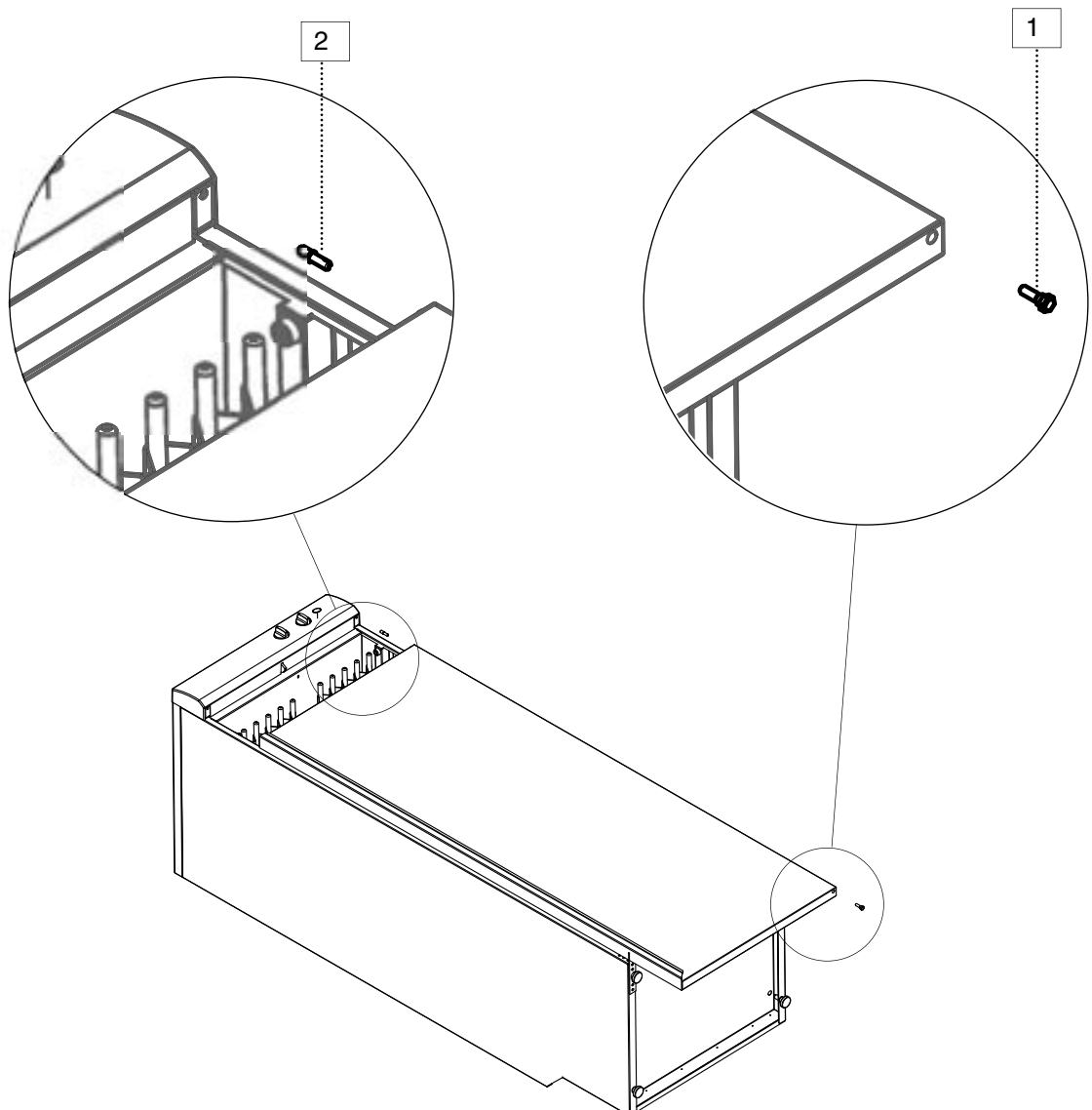
### *Excessive Weight Hazard*

*Use two or more people to handle the drying cabinet.*

*Failure to do so can result in back or other injury.*

The glove hanger is secured with four screws.

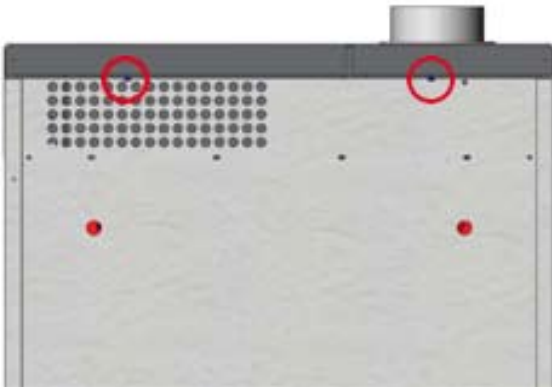
6. Rotate the door, position it and secure it with the lower hinge pin (1).



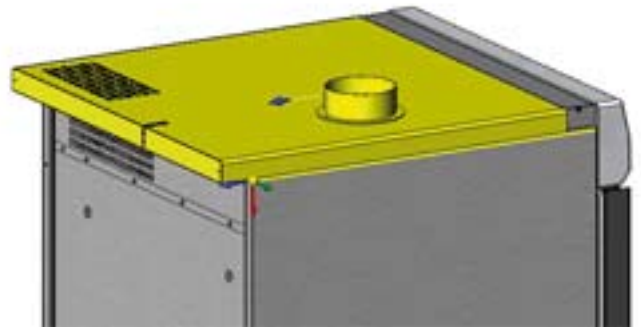
# Changing the casing unit

Disengage the cabinet from the wall and pull it forward!

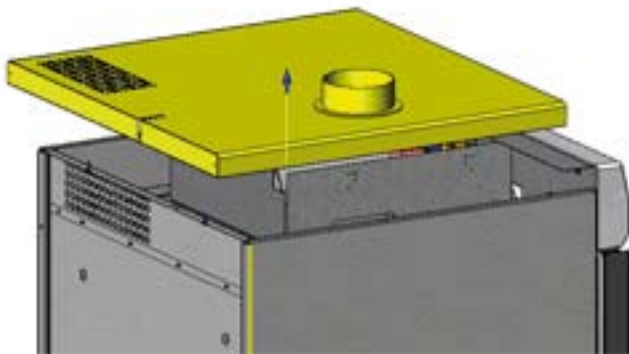
1- Loosen two screws at the rear edge of the cabinet



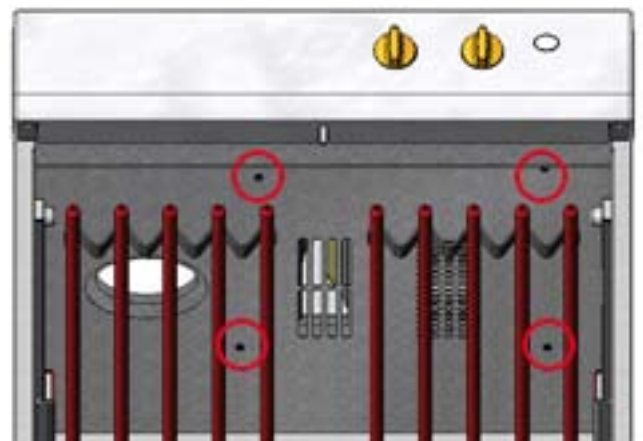
2- Draw the cover backwards



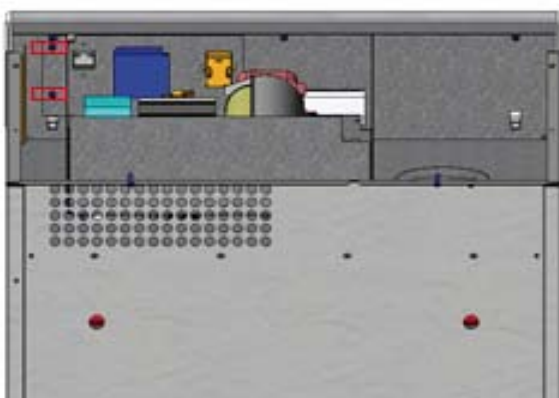
3- Lift off the cover



4- Unscrew four screws on the inside of the top cover plate



5- Unscrew two screws on the side of the casing unit, draw it backwards and lift it off.

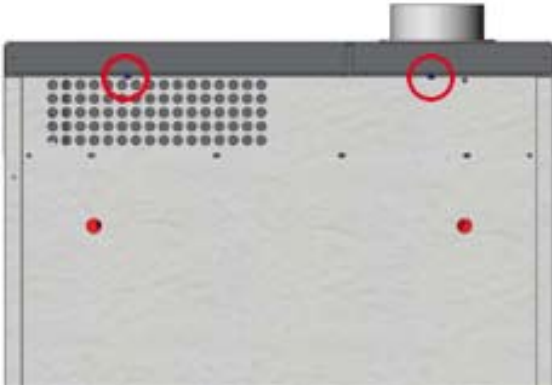




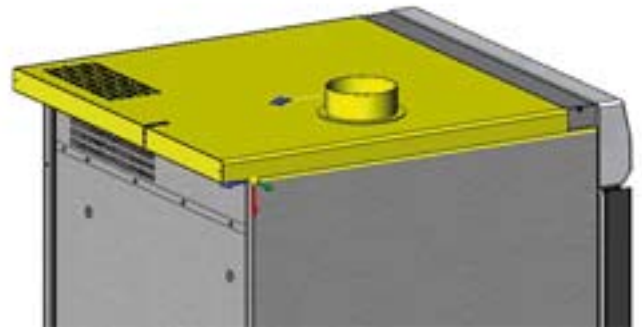
# Changing the panel

Disengage the cabinet from the wall and pull it forward!

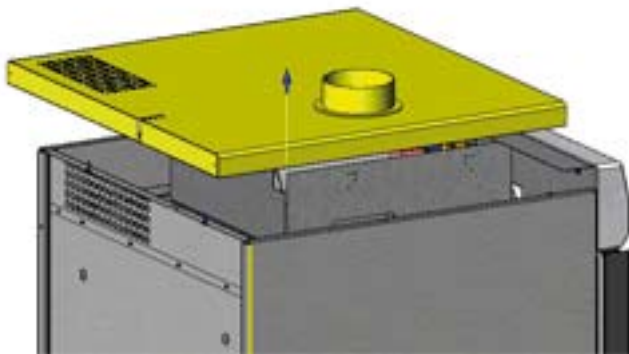
1- Loosen two screws at the rear edge of the cabinet



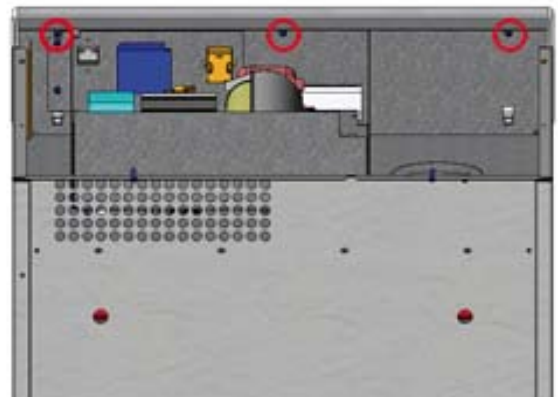
2- Draw the cover backwards



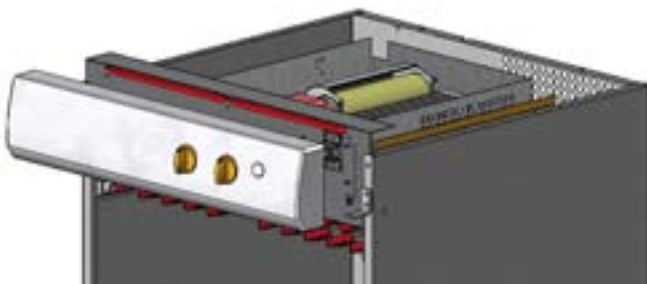
3- Lift off the cover



4- Unscrew three screws behind the panel



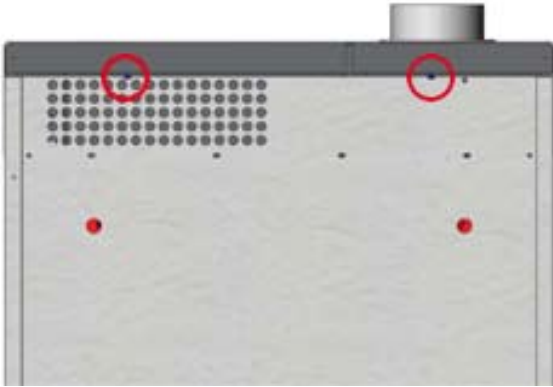
5- Stand in front of the cabinet, slanting the upper part of the panel outwards and carefully draw it upwards (to release the catches) and then outwards.



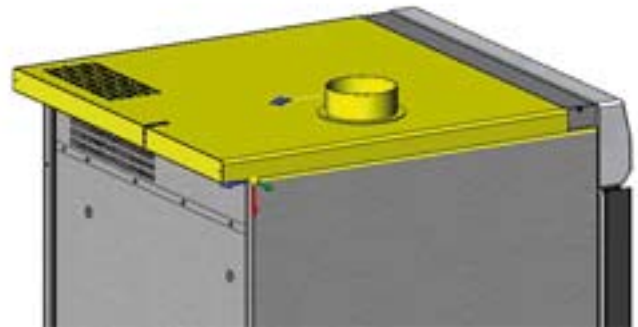
# Changing the selector knob

Disengage the cabinet from the wall and pull it forward!

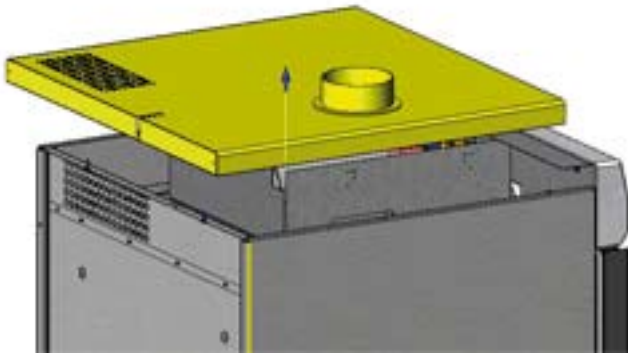
1- Loosen two screws at the rear edge of the cabinet



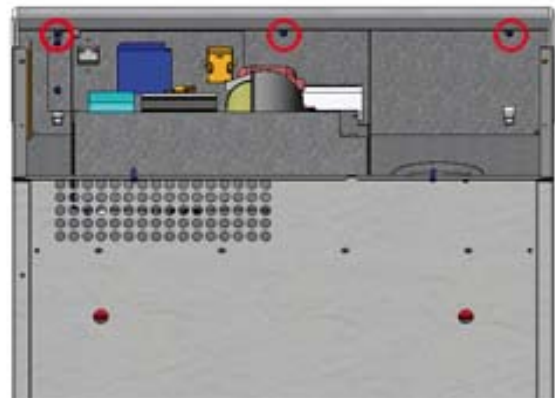
2- Draw the cover backwards



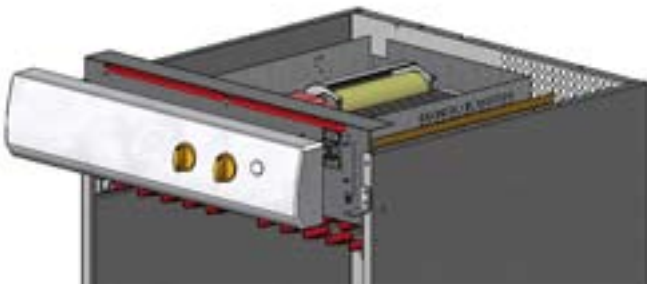
3- Lift off the cover



4- Unscrew three screws behind the panel



5- Stand in front of the cabinet, slanting the upper part of the panel outwards and carefully draw it upwards (to release the catches) and then outwards.



6. On the back side of the panel the selector knobs are held firmly in place with two catches. Press in the catches to release the selector knob and draw it out.



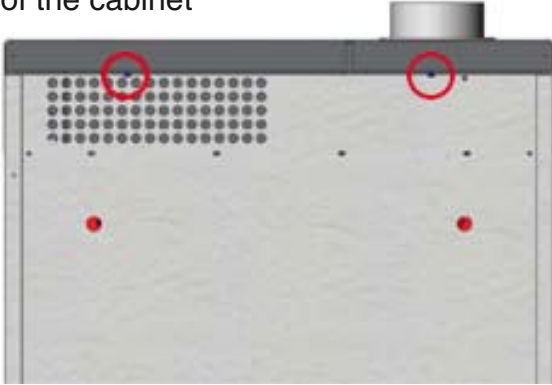
PRESS IN

When installing, press in the selector knob so that the catches snap into place. (This is done when the panel is mounted on the cabinet)

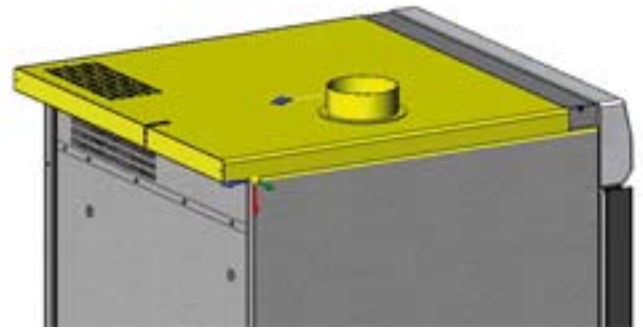
# Changing the fan/motor and the protection against overheating

Disengage the cabinet from the wall and pull it forward!

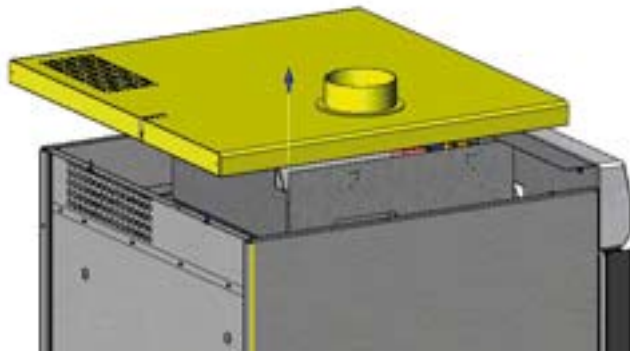
1- Loosen two screws at the rear edge of the cabinet



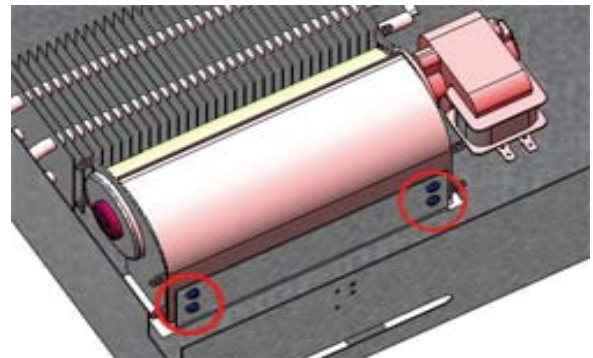
2- Draw the cover backwards



3- Lift off the cover

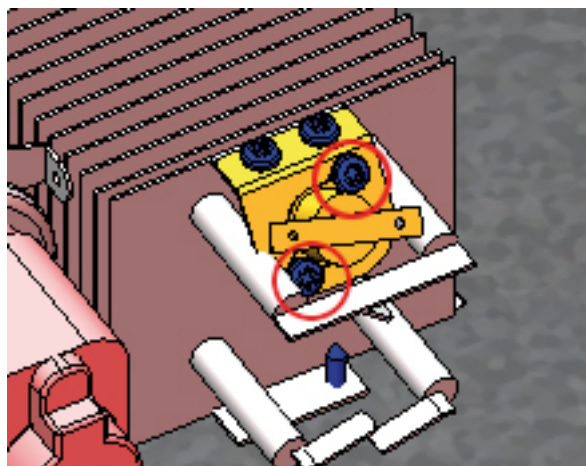


4- It is firmly fixed with 4 screws



# Changing the protection against overheating

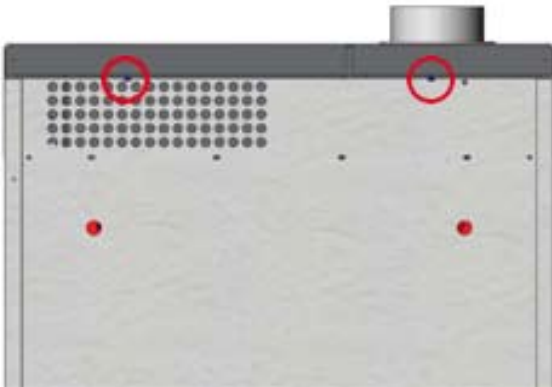
Fixed on the element, screwed firmly into place with 2 screws



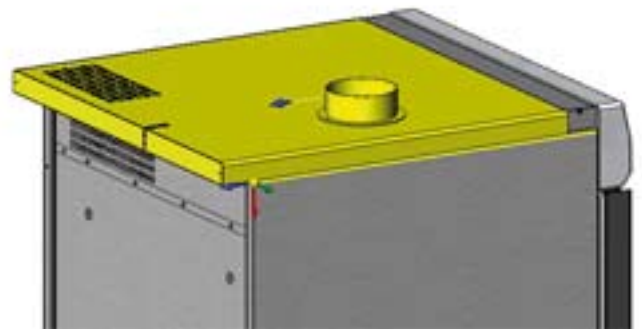
# Changing the element

Disengage the cabinet from the wall and pull it forward!

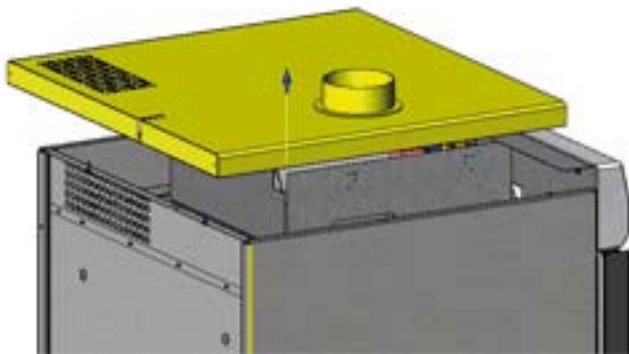
1- Loosen two screws at the rear edge of the cabinet



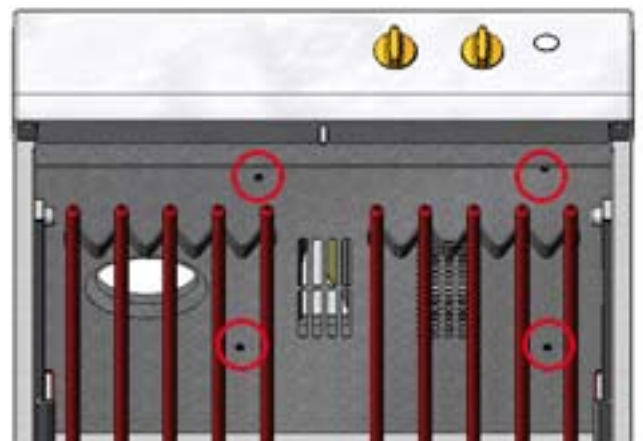
2- Draw the cover backwards



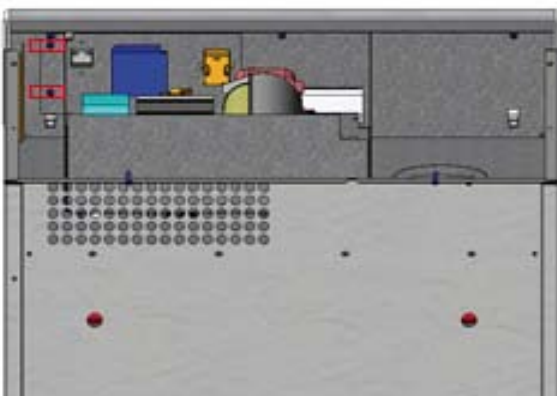
3- Lift off the cover



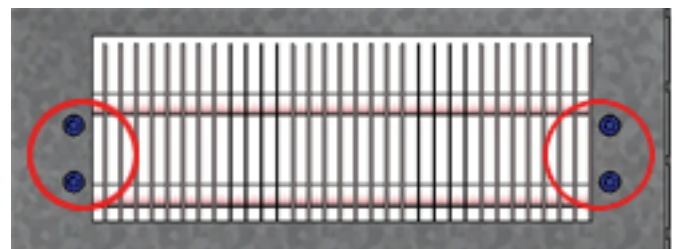
4- Unscrew four screws on the inside of the top cover plate



5- Unscrew two screws on the side of the casing unit, draw the casing unit backwards and lift it off.



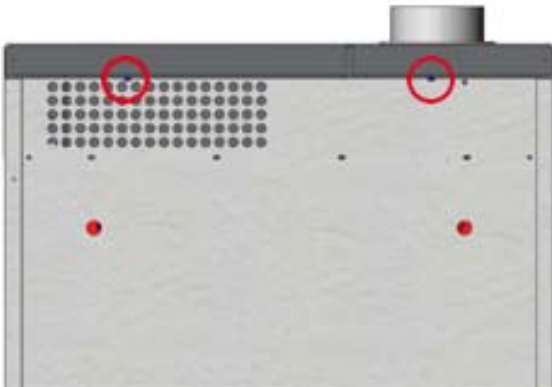
6. On the underside of the casing unit you will find 4 screws which hold the element firmly in place.



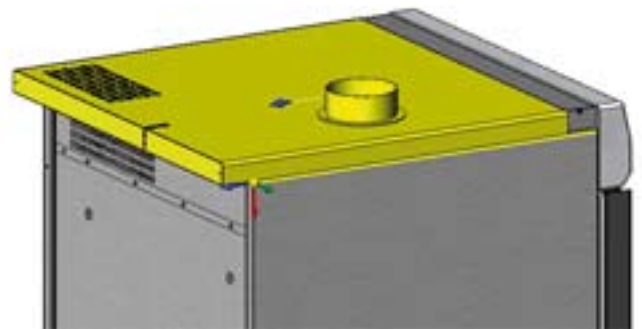
# Changing the thermostat

Disengage the cabinet from the wall and pull it forward!

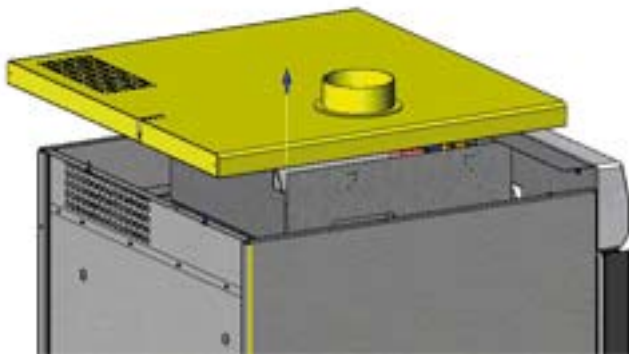
1- Loosen two screws at the rear edge of the cabinet



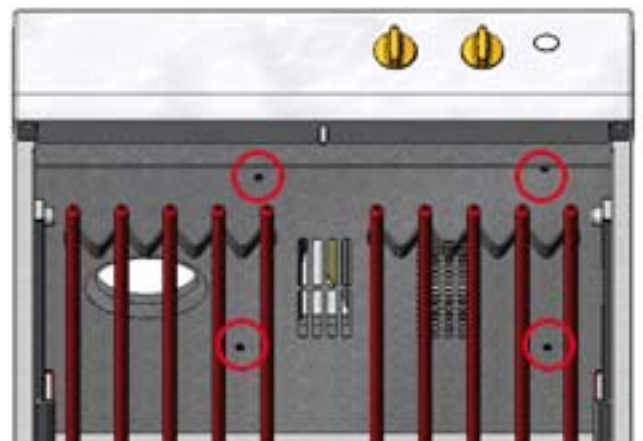
2- Draw the cover backwards



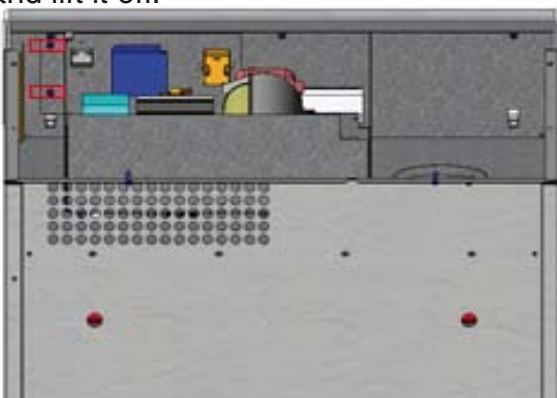
3- Lift off the cover



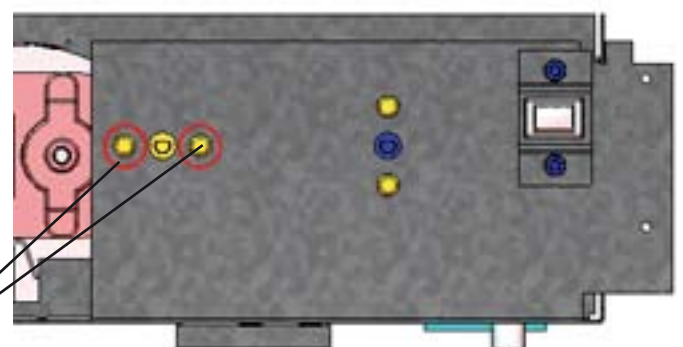
4- Unscrew four screws on the inside of the top cover plate



5- Unscrew two screws on the side of the casing unit, draw the casing unit backwards and lift it off.



6. Remove the 2 screws from the front, take the bulb out of the bulb socket

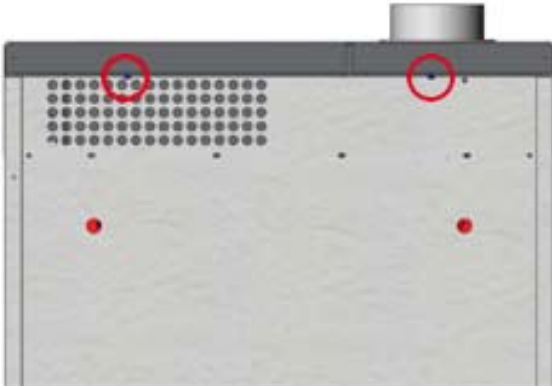


Screws for the thermostat

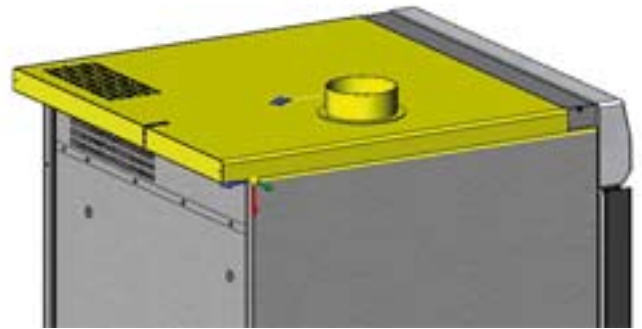
# Changing the timer

Disengage the cabinet from the wall and pull it forward!

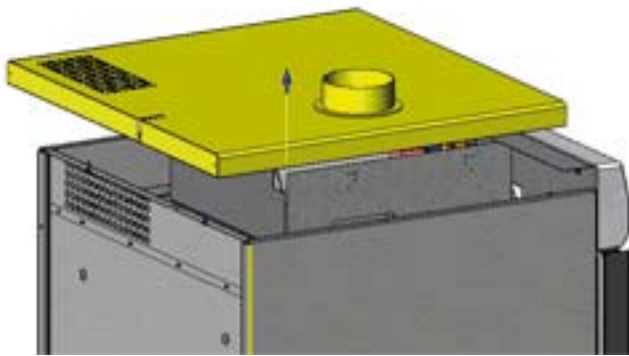
1- Loosen two screws at the rear of the cabinet



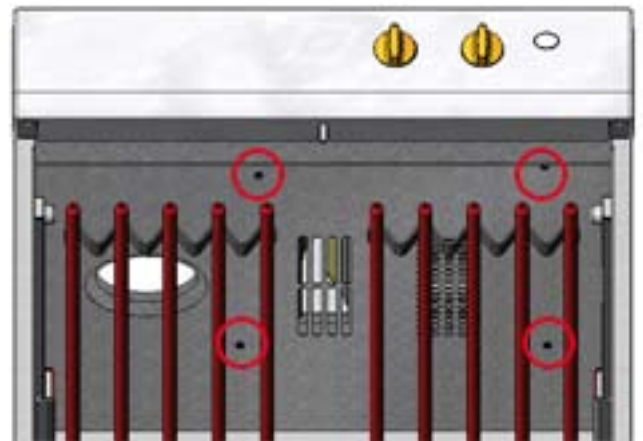
2- Draw the cover backwards



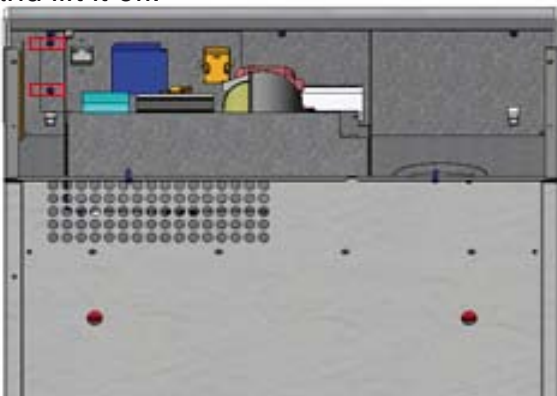
3- Lift off the cover



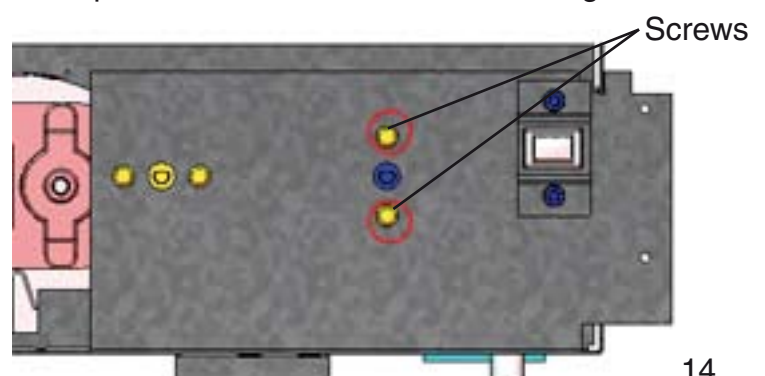
4- Unscrew four screws on the inside of the top cover plate



5- Unscrew two screws on the side of the casing unit, draw the casing unit backwards and lift it off.



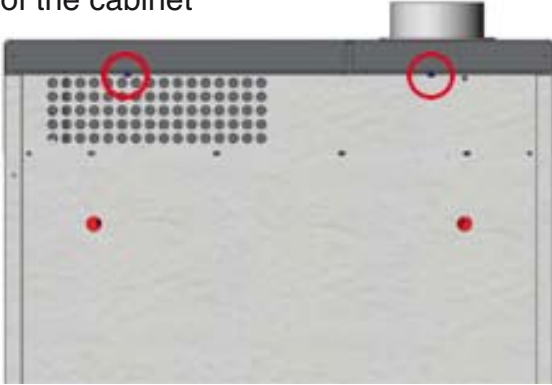
6. Remove the 2 screws which hold the timer in place on the front side of the casing unit.



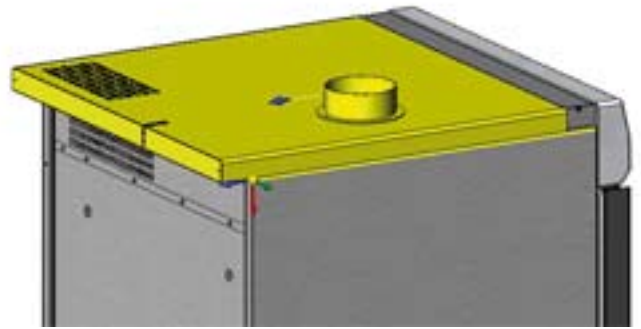
# Changing the start button (exterior)

Disengage the cabinet from the wall and pull it forward!

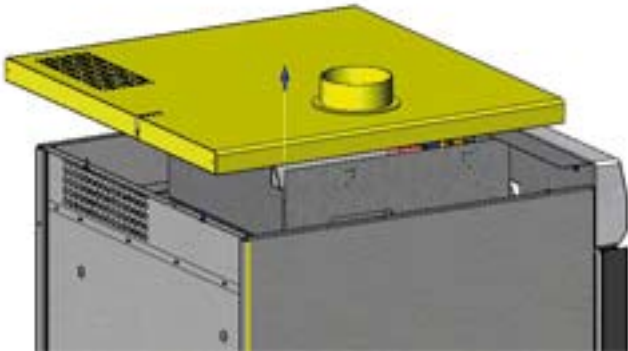
1- Loosen two screws at the rear edge of the cabinet



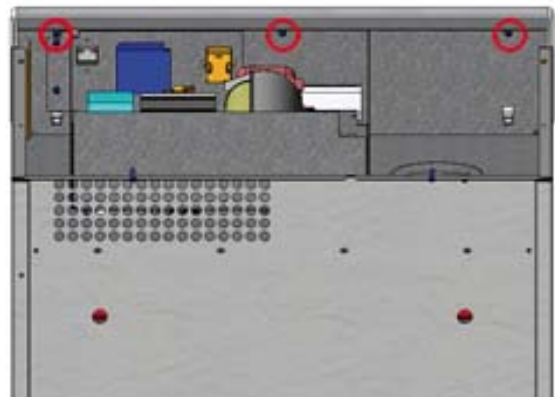
2- Draw the cover backwards



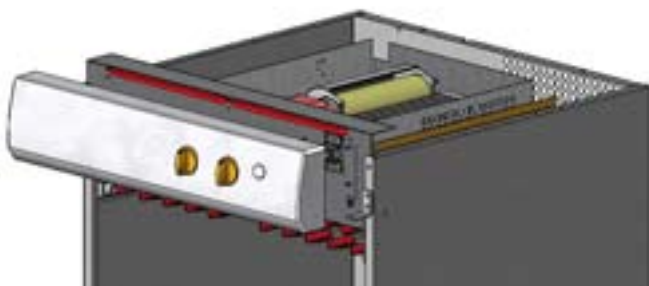
3- Lift off the cover



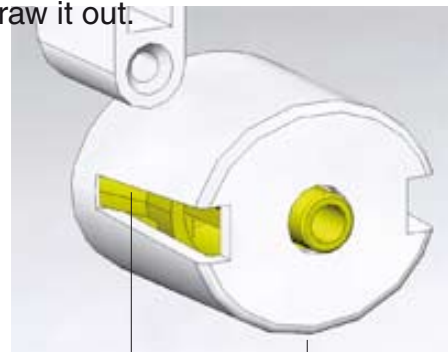
4- Unscrew three screws behind the panel



5- Stand in front of the cabinet, slanting the upper part of the panel outwards and carefully draw it upwards (to release the catches) and then outwards.



6. On the back side of the panel the selector knobs are held firmly in place with two catches. Press in the catches to release the start button and draw it out.



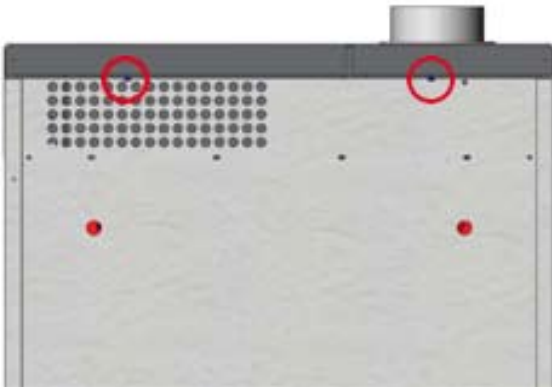
PRESS IN

When installing, press in the start button so that the catches snap into place.  
(This is done when the panel is mounted on the cabinet)

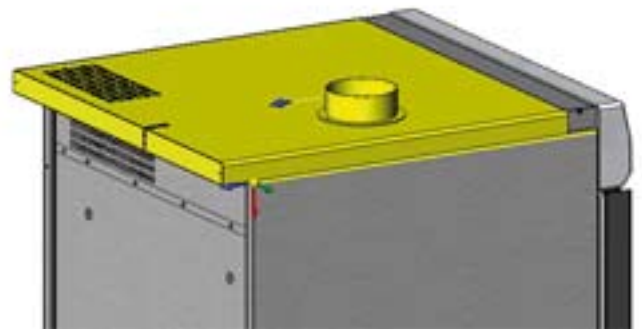
# Changing the start button (interior)

Disengage the cabinet from the wall and pull it forward!

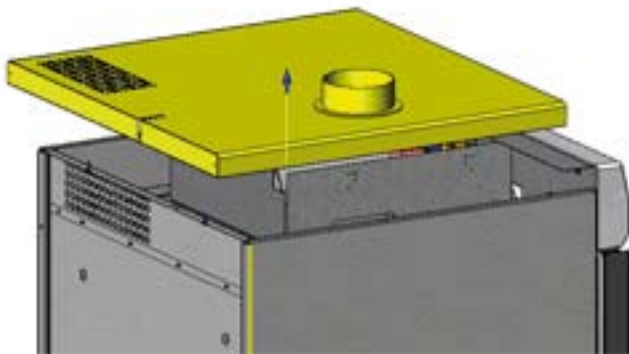
1- Loosen two screws at the rear edge of the cabinet



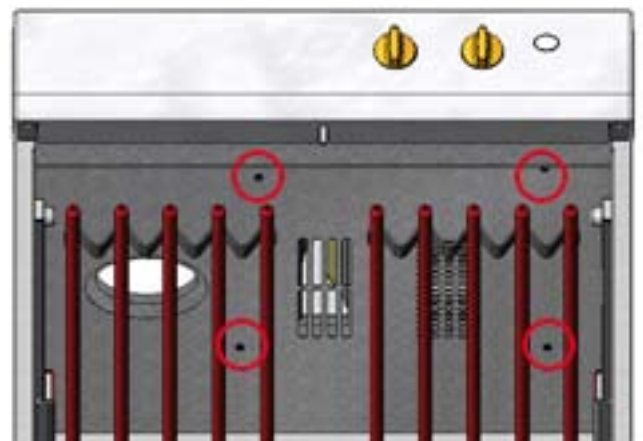
2- Draw the cover backwards



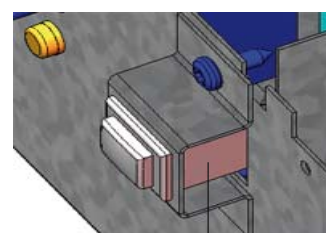
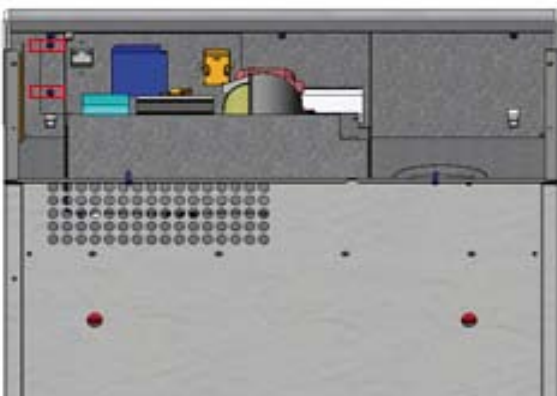
3- Lift off the cover



4- Unscrew four screws on the inside of the top cover plate



5- Unscrew two screws on the side of the casing unit, draw the casing unit backwards and lift it off.



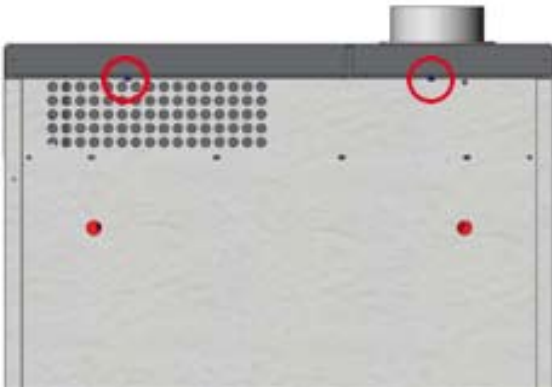
PRESS IN the catches on both sides and draw out the start button.



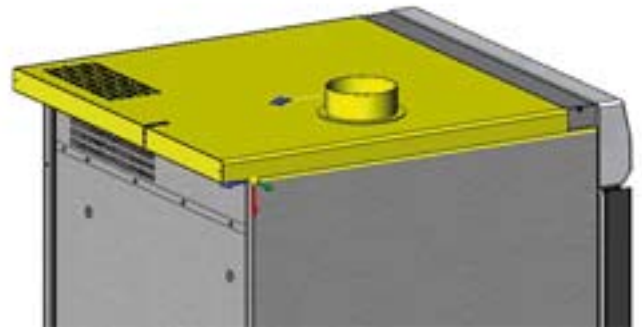
# Changing the contactor

Disengage the cabinet from the wall and pull it forward!

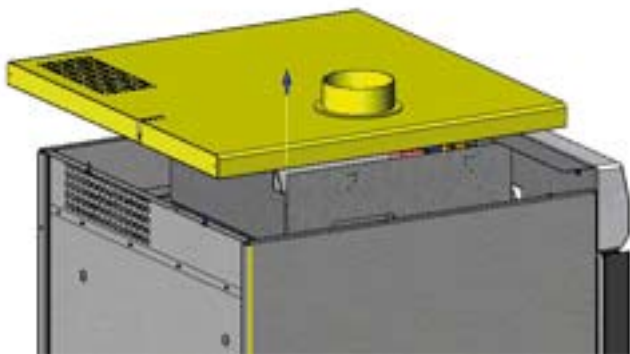
1- Loosen two screws at the rear edge of the cabinet



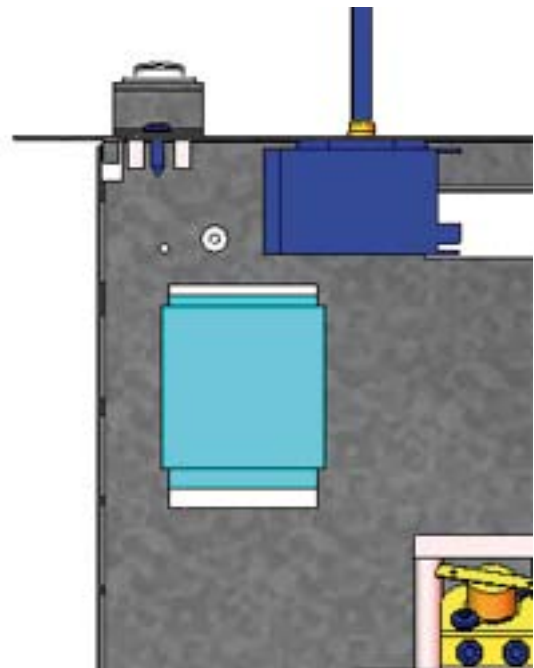
2- Draw the cover backwards



3- Lift off the cover



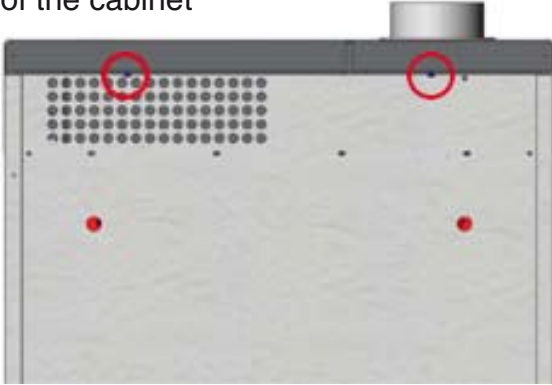
4- Change the contactor by pressing it downwards and backwards at the same time that you lift off the back part of the contactor.



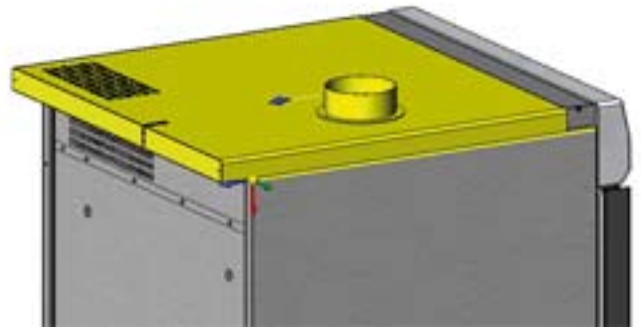
# Changing the doorswitch

Disengage the cabinet from the wall and pull it forward!

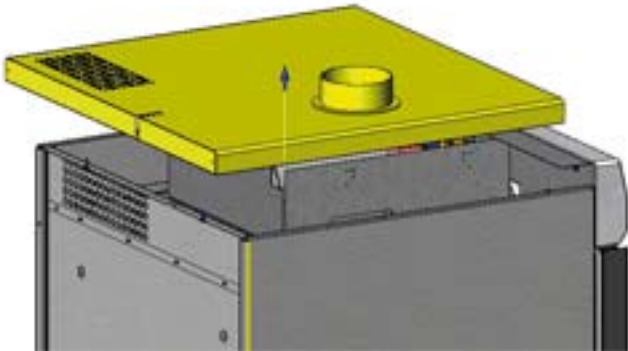
1- Loosen two screws at the rear edge of the cabinet



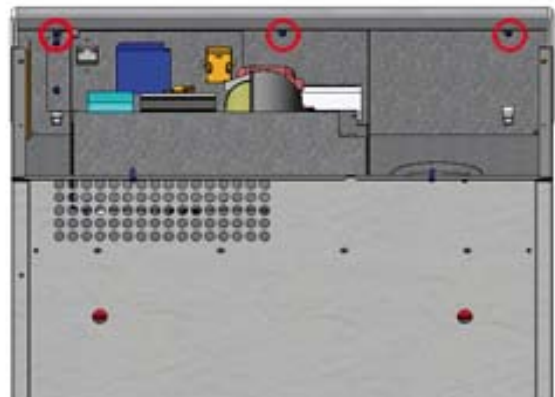
2- Draw the cover backwards



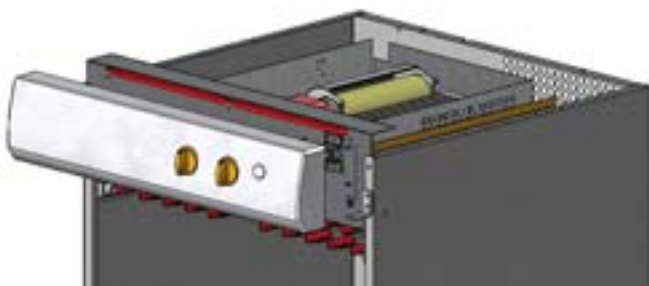
3- Lift off the cover



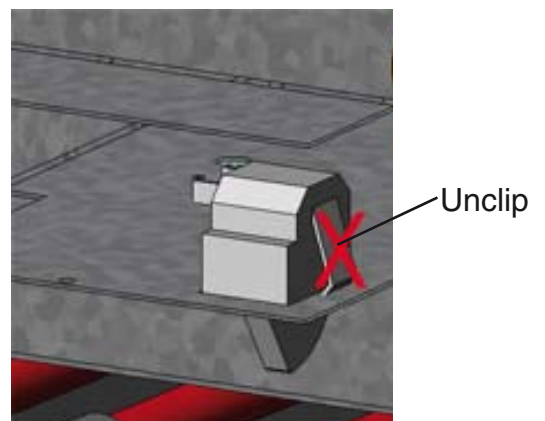
4- Unscrew three screws behind the panel



5- Stand in front of the cabinet, slanting the upper part of the panel outwards and carefully draw it upwards (to release the catches) and then outwards.

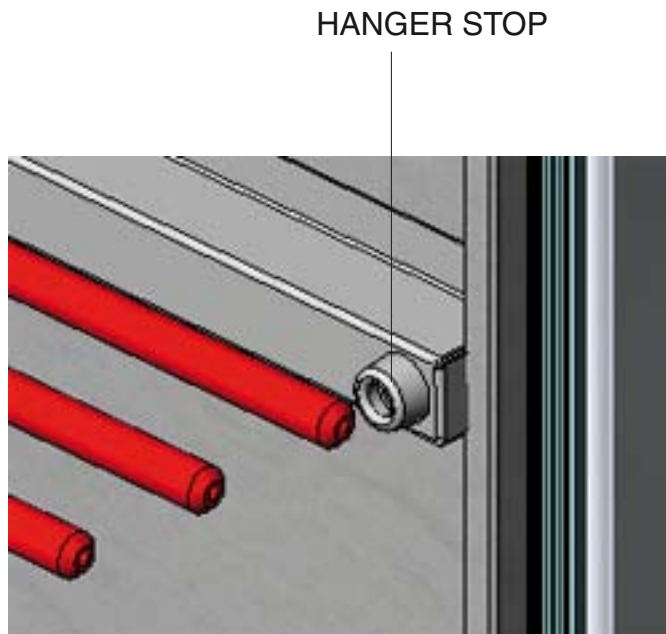


6. Unclip the securing catch and draw out the doorswitch



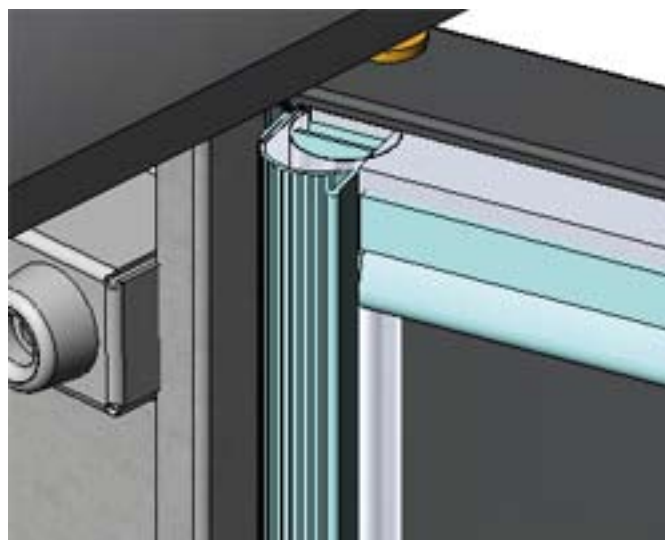
# Changing the hangers

Detach the hanger stop on both sides and pull out the hangers.



# Changing the door edging strip

Turn up the edging strip, unscrew the screws from the metal panel and change the edging strip.



# Technical data

## Technical characteristics

<b>Capacity:</b>	About 7 1/2 lbs (3.5 kg) of laundry (cotton)	
<b>Dewatering capacity:</b>	0.56 ounce/min (16 gram/min)	
<b>Electrical connection:</b>	Single-phase, 120 V, 60 Hz	
<b>Motor:</b>	43 W	
<b>Heating element output:</b>	1200 W	
<b>Overheating protection:</b>	Yes	
<b>Time switch:</b>	Adjustable up to 4 hours	
<b>Hanging length:</b>	630 in. (16 meters)	
<b>Dimensions:</b>	Height 68" (173.0 cm)	Adjustable 67 <sup>3</sup> / <sub>4</sub> " - 68 <sup>3</sup> / <sub>4</sub> " (172.0 cm - 174.5 cm)
	Width 23 <sup>7</sup> / <sub>16</sub> " (59.5 cm)	
	Depth 24" (61.0 cm)	
<b>Weight:</b>	About 133 lbs (60 kg)	
<b>Color:</b>	White or Titanium	
<b>Noise level:</b>	Max. 58 dB(A)	

## Exhaust

When the drying cabinet is working, 45 m<sup>3</sup> of moist air are evacuated per hour. This air is taken from the room where the unit is installed.

## Energy consumption and drying times

### Drying spun-dried wash \*)

Setting	Energy consumption	Drying time	Heat
Low	0.33 kWh/lb (0.72 kWh/kg) laundry	About 210 min.	45°C (113°F)
Normal	0.34 kWh/lb (0.75 kWh/kg) laundry	About 130 min.	65°C (149°F)

\*) The values can vary depending on spin dry speeds.

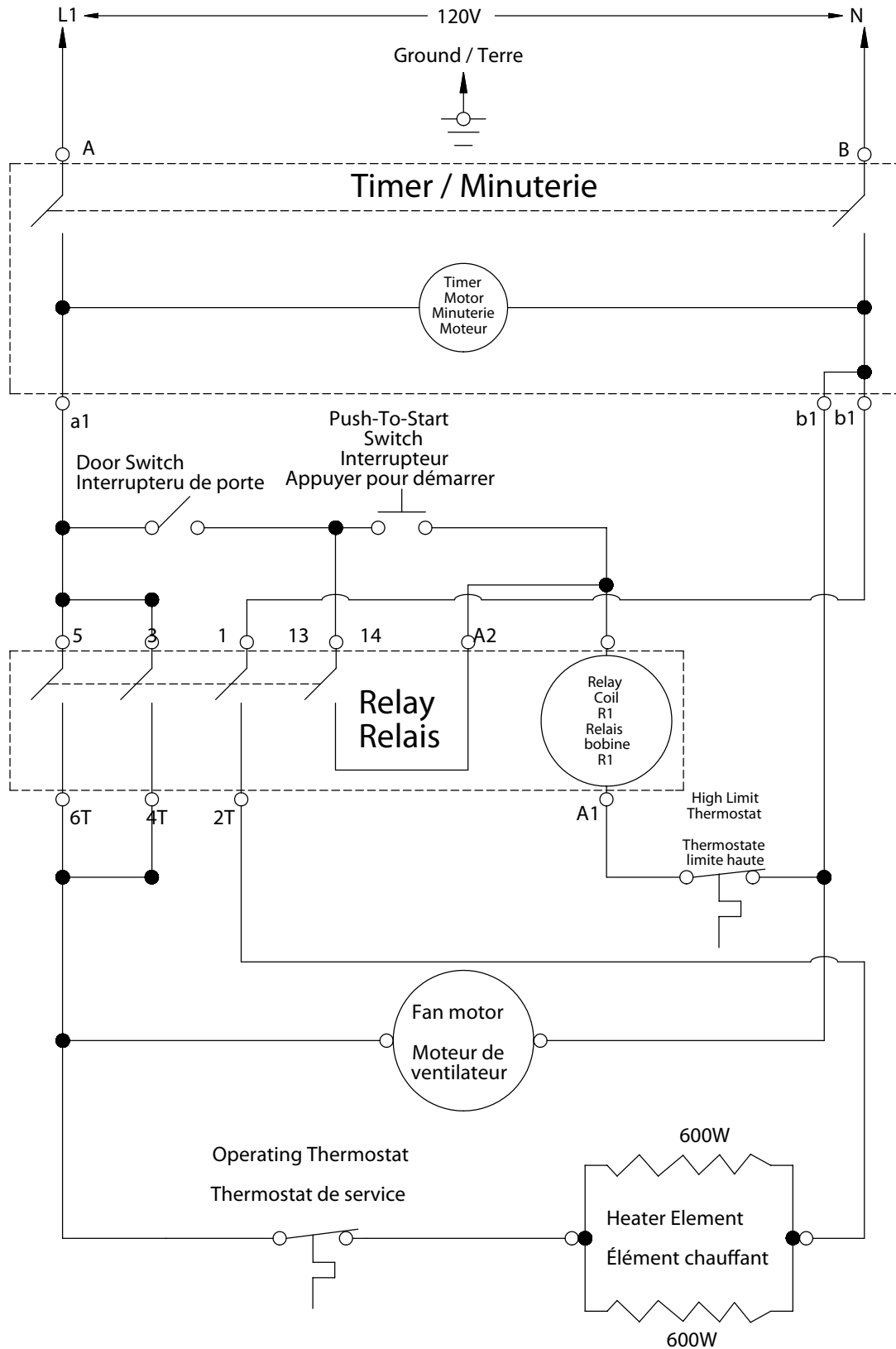
## Manufacturing standards

See the cabinet's rating plate

## Installation spacing for custom cabinetry

For built-in installation, minimum ventilation openings in the top and between the cabinet and the rear wall must be 1/2" (13 mm).

# Circuit diagram, DC7171, with start button, 120V



The elements  
is not connected  
to ground

Cat élément  
n'est pas relié  
à la terre

# Troubleshooting

Before calling for help, first try to correct the problem using the following guide:

Problem	Cause	Corrective action
<p>Garments are not being dried as expected.</p>	<ul style="list-style-type: none"> <li><input type="checkbox"/> The house breaker for drying cabinet has tripped.</li> <li><input type="checkbox"/> Cycle control and/or time switch has not been correctly set.</li> <li><input type="checkbox"/> The drying cabinet is being used in a room with a temperature lower than 0°C (32°F).</li> <li><input type="checkbox"/> Poorly spun-dried items or too much remaining moisture in the garments.</li> <li><input type="checkbox"/> Has the items been hung correctly?</li> <li><input type="checkbox"/> Have the time and temperature knobs been for too little time or a temperature too low?</li> <li><input type="checkbox"/> Is the vent pipe/hose too long?</li> </ul>	<ul style="list-style-type: none"> <li><input type="checkbox"/> Check.</li> <li><input type="checkbox"/> Check the setting.</li> <li><input type="checkbox"/> Normal operation requires installation in a room with a temperature over 0°C (32°F).</li> <li><input type="checkbox"/> If the clothing is too wet, use a higher spin speed on the washing machine.</li> <li><input type="checkbox"/> See the section "Loading".</li> <li><input type="checkbox"/> Increase the program length and temperature to achieve the desired level of dryness.</li> <li><input type="checkbox"/> Length should not exceed 39 inches (1 m).</li> </ul>
<p>The drying cabinet does not produce enough heat even though the cycle control is activated.</p>	<ul style="list-style-type: none"> <li><input type="checkbox"/> Is the power plug inserted?</li> <li><input type="checkbox"/> Is the drying cabinet door closed?</li> <li><input type="checkbox"/> Was the "START" button fully depressed?</li> <li><input type="checkbox"/> Has the time switch been set?</li> <li><input type="checkbox"/> The overheating protector has tripped.</li> <li><input type="checkbox"/> The overheating protector is faulty.</li> </ul>	<ul style="list-style-type: none"> <li><input type="checkbox"/> Check.</li> <li><input type="checkbox"/> Push firmly on the door to make sure it is closed.</li> <li><input type="checkbox"/> Press the button again.</li> <li><input type="checkbox"/> Check.</li> <li><input type="checkbox"/> Turn the time switch back to "0" and wait 30 minutes. After 30 minutes has passed, turn the time switch to 30 minutes and press the "Start" button.</li> <li><input type="checkbox"/> Change the overheating protector</li> </ul>

Article nr. 101863-1 Rev. 1  
We reserve the right to make alterations.



Printed on environment friendly paper, complying  
with the requirements of Miljöförbundet  
(Swedish Environmental Organization) and Naturskyddsföreningens  
(Swedish Association for nature conservancy).